



3 6105 027 831 358

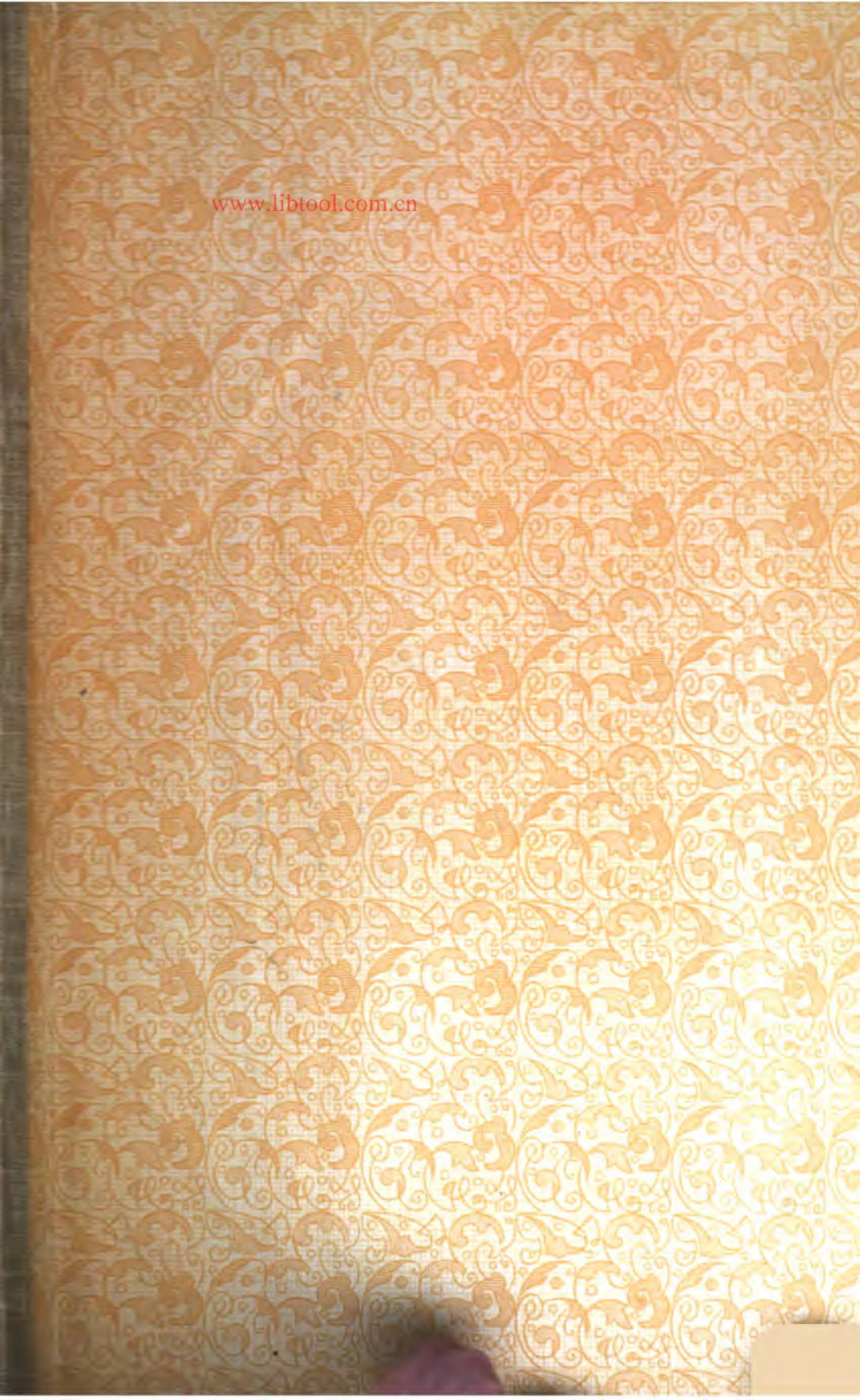
www.libtool.com.cn

www.libtool.com.cn



LELAND • STANFORD • JUNIOR • UNIVERSITY

www.libtool.com.cn



www.libtool.com.cn

REPORT

www.libtool.com.cn

ON

CANADIAN ARCHIVES

BY

DOUGLAS BRYMNER,

ARCHIVIST.

1889.

(Being an Appendix to Report of the Minister of Agriculture.)



OTTAWA:

PRINTED BY BROWN CHAMBERLIN, PRINTER TO THE QUEEN'S MOST
EXCELLENT MAJESTY.

1890.

www.libtool.com.cn

236998

Y&A&G&L O&O&M&A&S

CONTENTS.

	PAGE
ARCHIVIST'S REPORT.....	vii
NOTE A.—NORTH-WESTERN EXPLORATIONS—	
1. Journal of Laverendrye, 1738–39.....	1
2. Capt. George Dixon to Evan Nepean.....	29
3. Isaac Ogden, Quebec, to David Ogden, London.....	29
3a. David Ogden, to Evan Nepean.....	32
4. Memorandum by Alexander Dalrymple on the Route of Discoveries.	
5. Alexander Dalrymple to Evan Nepean	35
6. Note by Alexander Dalrymple.....	35
7. Capt. Holland's plan to explore from Quebec.....	36
8. Estimate of Expense.....	36
9. List of Instruments.....	37
10. Dalrymple to Grenville.....	37
11. Dalrymple to Nepean.....	37
12. Dalrymple to Nepean.....	38
13. Capt. Holland to Nepean.....	38
NOTE B.—RELIGIOUS, EDUCATIONAL AND OTHER STATISTICS—	
1. Summary of the Census of Canada, 1784.....	39
2. List of Parishes, &c., of the Diocese of Quebec.....	40
3. Census of Clergy, &c.....	43
4. Statement of Militia.....	44
5. Return of Indians.....	47
6. State of Religion in Canada.....	48
7. Ecclesiastical State of Canada.....	50
NOTE C.—VERMONT NEGOTIATIONS—	
1. Governor Simcoe to Mr. Dundas.....	53
2. Levi Allen to Governor Simcoe	56
3. Governor Simcoe to Mr. Dundas	67
4. Statement by Mr. Jarvis.....	58
NOTE D.—BEFORE AND AFTER THE BATTLE OF EDGE HILL—	
1 2. } Bouquet to General Amherst.....	59
3. Lt. Col. Robertson to Bouquet.....	60
4. Bouquet to General Amherst.....	61
5. Bouquet to Lt. Col. Robertson	62
6. Bouquet to General Amherst.....	62
7. General Amherst to Bouquet.....	63
8. Bouquet to General Amherst.....	64
6b—A $\frac{1}{2}$	

	Page.
NOTE E.—THE RESERVATION OF INDIAN LANDS—	
1. Col. Cresap to Bouquet.....	72
2. Bouquet to Col. Cresap.....	72
3. Lt. Col. Mercer to Bouquet	73
4. Bouquet's Proclamation against Settling (1761)	73
5. Governor Fauquier to Bouquet.....	73
6. Bouquet to Governor Fauquier.....	74
7. General Amherst to Bouquet.....	75
8. Governor Fauquier to Bouquet.....	75
9. Bouquet to General Amherst.....	76
10. General Amherst to Bouquet.....	77
11. Proclamation regarding Indian Lands (1763)	77
NOTE F.—CANAL FROM LAKE CHAMPLAIN TO THE ST. LAWRENCE—	
1. Edward Bancroft to Hon. T. T. Townshend.....	80
2. Observations (No. 1) respecting a Navigable Canal from Lake Champlain.....	80
3. Additional Observations (No. 2).....	83
4. Silas Deane to Evan Nepean.....	85
5. Observations as to cost, &c., of the Canal, by Silas Deane.....	85
NOTE G.—LIST OF BOOKS, &c., PRESENTED.....	89

HALDIMAND COLLECTION, CALENDAR—Continuation.

B 207.	Concluded	53
B 208.	Memoranda relating to Hon. J. Cochrane, 1778-1784.....	54
B 209.	Correspondence with Hon. J. Cochrane and David Gordon, 1779-1784.....	54
B 210-11.	Correspondence and Papers relating to the Hon. John Cochrane and money affairs, 1779-1784.....	58
B 212-1, 2.	Proceedings in the suit of General Haldimand vs. Hon. John Cochrane, 1779-1784.....	59
B 213.	Memorials from Officers and Soldiers of the Army, 1778-1784.....	59
B 214.	Memorials from the Provincial Corps and Loyalists, 1777-1785, Vol. I.....	66
B 215.	do do do Vol. II.....	73
B 216.	Memorials from the Indian and Naval Departments, 1776-1784.....	78
B 217.	Memorials from Civilians in Canada, 1777-1785.....	81
B 218.	Memorials of French Inhabitants of Canada, 1778-1784.....	89
B 219.	do do do Vol. II	95
B 220.	Speeches in the Legislative Council, &c., 1779-1784.....	100
B 221.	Letters of Instruction to Brigadier General St. Leger, on giving up command of Quebec, 1784.....	103
B 222.	Forms of Warrants, Commissions, &c., 1776-1785. List of Officers in various Departments, 1783-1784.....	105

	PAGE.
B 223. Papers concerning the Tenures of Foy et Hommage, 1771-1784.....	109
B 224. Valuation of Fiefs and Seigniories in Canada, 1781-1782.....	112
B 225-1. Miscellaneous Papers, 1777-1778.....	113
B 225-2. do do do	117
B 226. List of Plans.....	121
B 227. General Inventory of Papers relating to Canada.	121
B 228. Inventories of Papers relating to Canada, 1778-1784	122
B 229. Memorandum Books of General Haldimand, 1756-1778.....	122
B 230 to } Private Diary of General Haldimand, (in French, with a B 232.) translation).....	123

BOUQUET COLLECTION, CALENDAR—

A 1. Letter Book of Colonel H. Bouquet.....	1
A 2. do do do 1757-1758	4
A 3. Military Accounts, South Carolina, 1757-1758	12
A 4. Correspondence with General Amherst, 1759-1763.....	13
A 5. Government Instructions to Lord Amherst.....	31
A 6. Letters from General Gage, 1763-1765	31
A 7. Letters to Gage, 1763-1765	31
A 8. Correspondence with Generals Stanwix, Gage, Monckton, &c., 1759-1765.	36
A 9. Correspondence with Sir J. St. Clair and Captain James Sinclair, 1758-1763.....	76
A 10. Correspondence with the Earl of Loudoun and Brig-Gen. Forbes, 1757-1759.....	88
A 11. Correspondence with Colonel Washington, 1758	97
A 12-1. Correspondence of Capt. Ourry, 1758-1764.....	99
A 12-2. do do do	105
A 13. General Correspondence, 1754-1759, Vol. I.	112
A 14-1. do do 1759, Vol. II.....	123
A 14-2. do do do	140
A 15. do do 1760, Vol. III.....	155
A 16. do do 1761, Vol. IV.....	171
A 17. Letters to Colonel Bouquet, 1761, Vol. V	184
A 18-1. do do 1762, Vol. VI.....	198
A 18-2. do do do	209
A 19-1. do do 1763, Vol. VII.	219
A 19-2. do do do	235
A 20. General Correspondence, Vol. VIII.....	247
A 21. do do 1764-1765	269
A 22. Letters from Colonel Bouquet to various Persons, 1757-1759, Vol. I.....	282
A 23-1. Letters to various Persons, 1760-1764, Vol. II.....	296
A 23-2. do do do do	305
A 24. Miscellaneous Accounts and Returns, 1758-1765.....	314

A 25.	Papers relating to Indian Affairs, 1758-1765.....	321
A 26.	Public Orders issued by General Amherst and Colonel Bouquet, 1761-1765.....	329
A 27.	General and Regimental Orders, 1759-1764.....	331
A 28.	Miscellaneous Papers, 1757-1765.....	333
A 29.	Cash Book, South Carolina, 1757-1758.....	337
A 30.	Inventory of effects belonging to the late Brig.-Gen. Bouquet, 1765.....	337

Plan of the River St. Mary (Sault Ste. Marie), to face page.....	xxxviii
Sketch of the foundations and floor of old Lock at Sault Ste. Marie, to face page.....	xxxvii

REPORT ON CANADIAN ARCHIVES.

www.libtool.com.cn

DOUGLAS BRYMNER, ARCHIVIST.

Honourable JOHN CARLING,
Minister of Agriculture,
&c., &c., &c.

SIR,—I have the honour to present the report on Archives for 1889.*

There have been received last year from the staff employed under the direction of the High Commissioner at the Public Record Office, London, copies of the State Papers (Colonial Series) down to 1807 for Lower Canada and to 1812 for Upper Canada. There are in addition the volumes of the series "America and West Indies" down to 1769, which include the correspondence of Braddock, with an account of his death four days after the engagement in which he was wounded (9th July, 1755), and sketches of the position of the forces, the one showing that at the beginning of the action, and the other their position about two o'clock, when the whole of the main body had joined the advanced and working parties, then beaten back from the ground first occupied. These plans, which have been partly published, were sent in a letter from General Shirley to Sir Thomas Robinson, dated 5th November, 1755. The documents in this volume (A. & W. I, vol. 82) afford a valuable contribution to the history of this action, for the result of which Braddock has been severely censured and as strenuously defended. The series of volumes now received under the title of "America and West Indies" contains the correspondence of the Commanders during and for some time subsequent to the close of the war in North America in 1760, including the Indian hostilities, Indian conferences, &c. All the plans in the original letters have been traced and bound with the copies; a few have been published in works dealing with the events to which they relate; but the majority are still unknown. They include some plans of the order of battle in different engagements, harbours, forts and proposed defences, north and south, as might be expected, the military command extending at that time over the larger part of North America, including the portion now forming the United States. In the volume for 1769 (vol. 125) is an elaborate report on the defences of Quebec, with plans for a citadel on Cape Diamond, prepared by order of Sir Guy Carleton. These volumes contain the contemporary record of the events of an important period in the history of North America, and will prove of great service to investigators.

A series of volumes relating chiefly to the affairs of the British Army serving in North America from 1756, forms a supplement to the last mentioned series, and will be found of use in dealing with many questions of interest, whose solution depends to some extent on the identification of officers employed on different services.

* In the report for last year, by a typographical error, the date here was given as 1887, instead of 1889. It was corrected in the French edition.

The volumes relating to the old Province of Quebec and to Lower and Upper Canada, subsequent to the division in 1791, are absolutely essential to the study of the period since the Conquest, and of the advance in the settlement of the different counties and townships. The documents relating to the two Provinces, as has been stated in a previous report, are being copied concurrently, so as to carry on the record of the course of events in both Provinces, it being impossible to separate them without detriment.

I beg again most respectfully to direct attention to the question of having copies made of the Archives in Paris relating to this continent. These have been reported on by M. Marmette, Assistant Archivist, and many applications are being received for additional information and for copies. It is impossible to obtain a thorough knowledge of the history of Canada under the French *régime* without access to the official correspondence, and I am, therefore, compelled again to urge that favourable consideration be given to this representation.

Among the papers acquired from private sources are some received from the family of the late Judge Badgley, Montreal. One is a journal of Laverendrye, 1738-39 (published in this report, with remarks); the others are letters from Bienville, Governor of Louisiana, and a *memoire* by Father Coquart, dated in 1750, without title, but addressed to the Intendant (Bigot), giving an account of the King's posts—Malbaye, Tadousac, the Islets de Jeremie, Chicoutimi and Sept Isles. Father Coquart was a Jesuit, who was sent in 1746 as missionary to Chicoutimi and Tadousac; these stations he continued to serve till his death, besides others which were added in the course of years. He died in 1765, and was buried at Chicoutimi; the body was subsequently removed to Tadousac, where it now lies.

Correspondence and other documents of the late Capt. Bulger, chiefly relating to the war of 1812-15, have been acquired from his son, Mr. A. E. Bulger of Montreal.

An interesting pamphlet, "Lieut. James Moody's Narrative of his exertions and sufferings in the cause of the Government since the year 1776," was published in London in 1783, and has long been out of print. His grandson Mr. J. W. Moody, of Yarmouth, N.S., who possesses one of the few copies, which it is to be presumed are still in existence, has had the kindness to make and transmit a written copy to this branch, for preservation, for which thanks are due.

The list of works presented shows that the publications of the Public Record Office, London, are regularly transmitted as issued, as well as the Reports of the Deputy Keeper of Records and of the Historical Manuscripts Commission, the value of which can scarcely be overrated. A general acknowledgement to the different Provincial Governments for documents received appears to be all that is now necessary, their official publications being regularly received and arranged for reference.

An examination of the list referred to will show how widespread is the interest in the work of this branch. The applications for information on various subjects, many of them relating to important public and private interests, are daily increasing. Among these are references for information required by different Departments to enable settlements of claims to be made; others are from private individuals respecting successions and other questions of a similar nature. From this point of

view this branch has been of great service, an important part of its functions which is apt to be overlooked, its value for historical purposes, being that to which attention is chiefly called, owing to the greater publicity naturally given to this part of the office, as there is scarcely a recent work published relating to the history of Canada or the United States that does not contain acknowledgements of obligations to this branch for information given and assistance rendered. It will not, I trust, be considered out of place to quote one or two of the many notices by authorities on historical subjects in the United States; those from Canadian writers are equally favourable. In the *Atlantic Monthly* (Boston, Mass.), for November last, is a review of Mr. Theodore Roosevelt's "Winning of the West," which states that he has in the preparation of the work "consulted original documents in the State Department at Washington, the Canadian Archives at Ottawa—unrivalled on this continent for materials in Western history."

In the "Narrative and Critical History of America," edited by Mr. Justin Winsor, the latest extensive work on this subject, it is stated, in reference to the sources of information with respect to Canada from 1763 to 1867: "The most remarkable service done to the history of this period (1763 to 1791), as well as to that of several years following, has been accomplished by the Canadian Archives Department, Ottawa, whose collection, begun in 1872, under the indefatigable management of Mr. Douglas Brymner, has grown with marvellous rapidity in the few years of its existence." (Vol. VIII, p. 171.)

At the recent meetings of the American Historical Association the Canadian Archives have been specially noticed for their importance. At the meeting in Boston, in May, 1887, Mr. Justin Winsor, of Harvard College, President of the Association, in his address on the "Manuscript Sources of American History," says: "We owe it to the intelligent action of the Dominion Government and to the assiduity of the Dominion Archivist, Mr. Brymner, that copies of the Haldimand Papers are now at Ottawa, of which we are given an excellent key in the calendar in course of publication by that same Officer."

At the meeting of the same association held at Washington in December, 1888, the President, Dr. F. W. Poole, of Chicago, said, in reference to the "Sources and Facilities for the Study of North-Western History:" "I will first call attention to the collection of original documents in the Canadian Archives at Ottawa. A large portion of these documents relate to the early history of the North west, then a part of Canada. Some of them have been used by Mr. Parkman; but as a collection it is little known to writers on Western history. It covers the period from the earliest settlement of Canada to recent dates, and is especially rich in documents of the last century relating to the North-West, in reference to which our National and State archives are very weak.

"The intelligence with which these documents have been collected, arranged, and calendared in print is most creditable to the Canadian Government, and to its accomplished Archivist."

In summing up, Dr. Poole adds:

"Something of the enterprise of the Canadian Government should animate the Congress of the United States in the establishment and support of a Department of Archives, which will be worthy of this nation."

The report of the Secretary, Professor Herbert B. Adams, states that the paper read on Canadian archives by Mr. Brymner was one of the most suggestive of those presented at the meeting, and that from it the "Association learned what scientific order can be brought out of a chaos of State papers by well directed efforts with only moderate Government aid."

The paper referred to follows, it being at your desire included in this report, as it contains a summary of the work done from the beginning to the date of the meeting. Some introductory sentences are omitted:—

"The functions of the archivist are not the same as those of the librarian; neither can he be called a historian. He collects the documents from which history is to be written, and must, therefore, have a sufficient knowledge of the works that exist treating not only of the subjects with which he has to deal, but also of others which have, at first sight, a very slight and indirect bearing on them. As an archivist he has to collect the rough material to be formed into structures of exquisite beauty in the hands of the skilful workman, or to be raised by the dishonest and incompetent into unsubstantial erections, which crumble into ruins before the first rude blast of adverse criticism.

"The more clearly does the archivist feel this distinction between him and the historian, the more useful is his work likely to be. If he seek to obtain reputation as a historian, by so much will his proper duties be encroached on. He must not forget that he is only the pioneer, whose duty is to clear away obstructions; the cultivated fields will follow. The elder Disraeli thus describes the services rendered by men of letters who are not authors: 'The concealed aid which men of letters afford authors may be compared to the subterraneous streams, which, flowing into spacious lakes, are, though unobserved, enlarging the waters which attract the public eye.'

"Many of our Canadian records have been, unfortunately, destroyed by fire on various occasions. The peripatetic system, under which the seat of Government was removed at intervals from one town to another in the original Canadas, acted, during its continuance, as a bar to the systematic collection of records. Subsequently the division of powers, by which the control of lands, education, &c., was given to the Legislatures of the Provinces composing the Dominion, deprived the Federal Government of the records relating to many most important subjects. There was no systematic collection of records when, in 1871, a very numerous signed petition was presented to the three branches of Parliament, praying that steps should be taken to have the material relating to the history of the country collected and arranged for reference. On a joint report from the Senate and House of Commons, Parliament assigned to the Minister of Agriculture, who is also Minister of Arts and Statistics, the duty of accomplishing the object the petitioners had in view. I had the honour of being selected to organize the new branch of the Civil Service, and in June, 1872, was furnished with three empty rooms and very vague instructions.

"The first step was naturally to make a preliminary survey of the work to be done. Fortunately, steps had been taken by Dr. Taché, the Deputy Minister of Agriculture, to have a large collection of military correspondence, which had been stored at Halifax for transmission to London, retained there till the result of an application for the transfer of these papers to the Dominion Government could be known, the application having been made in anticipation of the appointment of an archivist, provided for by Parliament, but not then made. On my appointment I proceeded to Halifax, where I examined and reported on the papers, but the negotiation dragged on, there seeming to be little room to hope for a satisfactory result.

"In 1872 the preliminary examination was confined to the Capitals of the different Provinces, at each of which I spent some time, and in 1873 I went to London, where I visited the various Government offices, the British Museum, every place, in fact, that I thought would throw light on the work I was appointed to organize. I then

recommended, as a first instalment, that the collections made by General Haldimand, Governor of Canada, during the United States Revolutionary War, should be copied. These had been presented to the British Museum in 1857, by his (grand) nephew, Mr. Wm. Haldimand. Two collections were presented by that gentleman. The one known as the "Haldimand Collection" relates to the events of that officer's career on this continent; the other—the "Bouquet Collection"—deals more especially with the military operations of Bouquet, the general outlines of which are known to historians. The documents in this latter collection cover a period of ten years, from 1754 to 1764, these for the year 1765, which form part of it, relating chiefly to the administration of Bouquet's estate. The collection is in thirty volumes.

"The period covered by the Haldimand Collection is the most obscure in Canadian history, and the correspondence throws a flood of light not only on events in Canada of that epoch, but on contemporary events in what were known as the American Colonies, whilst they still formed part of the British Empire, and during the Revolutionary War, from the first muttering of discontent, immediately after the cession of Canada, to the attainment of independence twenty years later. The information contained in these papers relates to an immense extent of territory. On the Ohio; the Mississippi; the Illinois; the Wabash; in the Floridas; on the Lakes from Superior and Huron eastward; in the frontier posts to the north and south; Michillimakinak, Detroit and Niagara; on Lake Ontario, with its fortified posts on the mainland and islands; on both sides of the St. Lawrence above and below Montreal to the Gulph and onwards to Nova Scotia; on the Richelieu, Lake Champlain, the Mohawk Valley, the Hudson. In fact, there is scarcely a locality bordering on, approaching to, or whose interests might affect the future of Canada, respecting which there are not more or less minute details to be found in this mass of correspondence, which fills no less than 232 volumes, and covers a period of thirty-three years of public service.

"The writers who treat of the period during which Haldimand was Governor and Commander-in-Chief had little opportunity of testing the truth of the charges brought against him by those who were detected in a conspiracy and imprisoned for the safety of the Province; nor does much regard appear to have been paid to the peculiar circumstances in which he was placed from the time he succeeded Carleton to the date of his recall in 1784. I must confess, that I have derived from the study of the correspondence a high idea of the abilities of Haldimand, and of the moderation he showed in the exercise of almost unlimited power at so critical a period, when a calm and sober judgment was needed to restrain passion and to enforce repression without having recourse to violence.

"Before leaving London, in 1873, I made arrangements for copying the documents in these two collections. In arranging for this work, it was proposed, in order to lessen the cost, to have only a careful selection made and copied. My own view was, that no man could tell what documents might or might not be safely omitted, even the most trifling being a link in the chain of evidence, as every investigator knows. The Minister of Agriculture, the Hon. John Henry Pope, saw the propriety of my recommendation, and gave the necessary authority to have the collections copied in full. On this point I may be pardoned for quoting the words of a recent writer on Egyptian antiquities. He says: 'No object has been deemed too trivial for examination. The relations of one monarch to another have been found on scraps of vases, chips of wood, and fragments of papyri. A mutilated hieroglyph on the dress of a statue has revealed a political mystery, and a series of erasures on granite blocks, a religious revolution.' A curious instance of the correctness of the statement just quoted is to be found in the proof afforded by a contract for the sale of a piece of land, recorded on a tablet now in the British Museum, of the existence of a King of Babylon twenty-five centuries ago, which was suspected but not proved.

"But whilst engaged in the work of investigation, that of acquisition was not neglected. By personal negotiation with the authorities at the War Office, for which the previous correspondence had prepared the way, I succeeded in convincing them

that the collection of correspondence at Halifax would be more useful at Ottawa than immured in the vaults in London, and by the end of the year 1873 fully eight tons of official documents were brought from Halifax and deposited in their original cases in the archive rooms.

"Those familiar with the subject know the formidable character of the work of arranging and classifying such a mass of documents. The papers were secured in cases, each containing correspondence for one or more years, tied up in bundles. An attempt had been made to indicate the subjects by titles, but there had been no effort to arrange them according to any sort of systematic classification. Each title, of which there were 82,000, carried a variable number of enclosures. I have in round figures estimated the documents at 300,000 (given by a typographical error in one of my reports as 200,000), but I think that an actual count would show them to be about 400,000—probably more.

"The first thing to be determined on was the system of arrangement to be adopted. I have said that I was turned loose into three empty rooms. I had now a mass of unsorted documents to deal with. Being entirely alone, I had full scope to adopt any system I chose, without let, hindrance, or remonstrance. First, then, I adopted, as the foundation, the chronological order, so that the record of events might follow naturally, no matter who was the recorder. Next, as in dealing with these documents, it would be impossible to have them indexed, even imperfectly, for years, the most practicable way would be to divide them into subjects, breaking them up, as it were, into fragments for mastication. In much of the correspondence this was comparatively easy, from the general official rule (not always, however, observed) of treating only one subject in each letter. There are numerous exceptions to this. The Queen's father, the Duke of Kent, who was in command in North America, was one of the greatest offenders, his letters dealing at length with all sorts of subjects, whilst the Duke of York, Commander-in-Chief, Her Majesty's uncle, deals with one subject at a time, and one only. They had one peculiarity in common, Each had a secretary, who wrote a beautifully clear hand, a characteristic also of the royal brothers, as, in fact, of most of the gentlemen at the end of the last and beginning of the present century.

"Having decided on the first principle of arrangement—namely, that it was to be chronological—I proceeded with that, in the first place, by means of tin boxes, each with four pigeon holes. These I had arranged round the four walls of one of the rooms, and by taking a limited number of years, I was able to get the letters, returns, accounts, memorials, &c., arranged by years, months, and finally days of the month. It should be borne in mind, that the documents were of many shapes and sizes, from a scrap of paper of possibly quarter of an inch, to the largest size of paper made, and the writing and ink from the rudest and poorest up to the most cultured and the finest that could be produced. Let me remark, too, that in the earlier documents each of the covering letters had endorsed the name of the writer, the place where and the date when written, and a short but clear abstract of its contents. Gradually, as time went on, these careful notes ceased; the abstracts first became obscure and then vanished, only the date being endorsed. Much of the trouble of ascertaining the subject of the earlier documents was removed by their careful endorsement, but that advantage was lost by the modern and imperfect practice.

"The next matter to be attended to was the choice of subjects and titles.

"The first part of the work had been purely mechanical, the arrangement of documents according to dates requiring no special qualifications beyond industry and patience. The next, however, demanded a little more brain power in order to determine the subjects and their titles, and to select the documents that should properly belong to each subject. It is clear that the latter could only be done by reading the documents; it is equally clear that to wade through each of a mass of papers, between three hundred thousand and half a million in number, meant a work of many years. But here training on the press came into play. The work of rushing daily through fyles of exchanges to select the most interesting material for the

making up of the next day's paper is in itself a training for work of this kind. Like the medicine prescribed by the Greek physician Douban to the leprous King of Persia, which was absorbed by exercise, as told in the veritable Arabian Nights, the contents of the documents seemed to be absorbed rather than taken in by any slower process, and thus the work went on from day to day. I may express, parenthetically, my thankfulness that, rapidly as the work was done, I find in indexing that few errors were committed in the arrangement. The documents were then bound, the work proceeding like that on Solomon's Temple, 'neither hammer, nor axe, nor any tool of iron was heard while the house was building.' In other words, I kept everything as quiet as possible, until some progress had been made in the work of collecting and arranging.

"The collection of which I now speak covers a period from about 1785 to 1870. It largely relates to military affairs in the Provinces, including the preparations to meet anticipated hostilities consequent on the first French Revolution; original records of the War of 1812; the strained relations between Great Britain and the United States for some years previous to the declaration of war; the Rebellion in Canada in 1837-8, with the proceedings of the sympathisers from the United States. Then there are reports of expeditions to the North-West; many most important details respecting the Indians from about 1788; documents relating to the construction of the canals by the Imperial Government; very complete reports of the proceedings in Canada of the Royal Engineers; details of the defensive posts and fortifications; much interesting information respecting the chief cities and new settlements, including those formed from the weaver population of Scotland, ruined by the introduction of the power loom, and who, it may be noted, made most successful settlers.

"The division with the title 'Settlers' includes also a collection of the original correspondence with the exiled French Royalists who, after the massacre of Quiberon and the suppression of the struggle in La Vendée and Brittany, entered into negotiations with the British Government for a grant of land in Upper Canada. They began an establishment about thirty miles north of Toronto, but the situation was ill-chosen and the settlers unsuited for the rough work of clearing, so that the scheme collapsed, and the leader, the Count de Puisaye, died in poverty in London. In addition to the original documents relating to this last subject, I had copies made in London of other correspondence, which makes the information on this attempt at settlement fairly complete. It may be said that almost everything relating to local subjects coming within the jurisdiction of the Military Commanders is to be found here, besides much that is of a civil character. There is, however, little of political history. That information has to be sought for elsewhere, and the gap in that respect is being rapidly filled up.

"This collection being complete, I have distinguished it as series 'C'. To facilitate research, I had an index placed in each volume. At first I thought of limiting the index to the names of the writers and recipients of letters, to memorialists and subjects, but finally resolved to grapple with the task of indexing every name of every person and place mentioned, together with such subjects as could be briefly stated. To do more was hopeless. By this time the copies of the Haldimand and Bouquet Collections were beginning to arrive. These I had arranged to have bound in London, after revision, so that they could be placed on shelves on arrival. As a relaxation from the drudgery of indexing, I took to making abstracts of these, specimens of which are to be found in the annual reports on Canadian Archives since (and including) 1884. In making these abstracts I had a double end in view: one, to make the documents readily accessible; the other, to make a thorough revision of the copies, so as to make certain they were exact transcripts. Lists were made of all doubtful points, which I transmitted to the revisors in London for further examination. By this process, I believe as exact copies have been secured as it is possible to obtain in transcribed documents. It is scarcely necessary to say, that I have insisted on the copies containing every peculiarity of spelling, every error, and that no variation in these or in any other respect is allowed.

"In addition to the larger and more general collections, a considerable number of original warrants for the payment of officials, clergy, schoolmasters, pensioners, and others, besides accounts relating to the Lake Marine, to the Indian and other Departments, was added. These also I arranged and had bound in 197 volumes. They are fully indexed, and have been found to be of great service in the settlement of questions in dispute. Then there have been smaller lots, constantly added to, consisting of family papers, including such documents as original accounts and journals of the Invasion of Canada in 1775, correspondence relating to the War of 1812, Indian treaties, early settlements, and many of a purely local nature. These are bound, but not yet indexed; all received are arranged and bound immediately after their reception.

"As it seemed an obvious duty to gather up the scattered threads of the occupation by the French of a large portion of North America, copies were procured of the old Acadian registers, so far as these were obtainable. That work has been going on since, so far as pecuniary means would allow. Copies of many of the church registers of the old French settlements in the West have also been obtained and are now on the shelves.

"The report on Archives for 1882, to which I beg to refer, shows the extent of the ground to be covered, if the Archives are to be in any degree of use to the Dominion as a whole, instead of degenerating into a merely local collection of documents. I therefore conceived it to be absolutely necessary to set about the work of collecting, as at least a beginning, the printed journals, sessional papers, departmental reports, &c., of all the Provinces. The attempt to obtain the earliest of these records has been fairly successful. The gathering of them as they are issued; the securing of pamphlets, new and old, even of fly sheets, has been carefully attended to. In several cases, the early Provincial records in printed form are much more complete than those in the libraries of the Provincial Legislatures.

"In 1881 I obtained the services of one clerical assistant. That year I went to London to make arrangements for completing the copying of all the documents relating to Canada in the British Museum. As the report for 1881 contains all that is of importance concerning that visit, I think it only necessary to say further, that in dealing with the question of the grant to Sir William Alexander, the Lord Stirling so well known in connection with Nova Scotia, I was not satisfied with the papers relating to that Province, but obtained also a considerable number of documents concerning New England, the entanglement of Lord Stirling's affairs with those of Gorges and Mason appearing to render that necessary.

"If I have been too prolix in entering into these details, I must apologise for taking up the time of a meeting like this. It has been done partly to show that no really good work of this kind springs into being suddenly; that it is a process requiring time and labour, but that the difficulties of forming such a collection are not insuperable. Patience is needed, above all watchfulness and perseverance. The man entrusted with the work must make up his mind that it is to be accomplished, and undertake it, not as a heavy task, but as something to rouse his faculties. Nor is the expense deadly. There has never been a sum of more than \$6,000 annually voted by Parliament for this service. It requires great economy in management; it is not always sufficient, but any excess of expenditure beyond the grant is speedily checked.

"I shall be very brief in what remains. In 1883 I returned to London and obtained from the Imperial Government much more favourable conditions for transcribing the State papers than the rules in force allowed, many restrictions being removed, which were found to impede the work.

"In July 1883, Mr. Joseph Marmette was appointed Assistant Archivist, and entered on the work of investigation in Paris. I would refer you to the reports for 1883, 1885, 1886 and 1887, for Mr. Marmette's account of the documents in Paris, which I feel sure will be found interesting. We are ready to begin the work of copying there, when Parliament shall see fit to grant a sufficient amount for the purpose. What I did that year in London, for the time I could be spared from duty

in Canada, is to be seen in the report for 1883. I spent some weeks in Paris, and was, I think, fortunate in securing a number of valuable historical works.

"Besides the documents specially mentioned, we have on the shelves the British State papers of the series bearing the title 'America and West Indies,' from 1755, the first year of the final struggle for supremacy on this continent between Britain and France. These papers include the operations in Nova Scotia, the siege and capture of Louisbourg, the campaigns in Canada till the conclusion of the war. It is very desirable to begin the copying of that portion of this series which relates to Nova Scotia, and the Maritime Provinces generally, but fortunately the intelligent and careful labour of Dr. T. B. Akins, the Archivist of Nova Scotia, renders delay less prejudicial than it would otherwise be. His work has been admirably done. The 'Colonial Series' of the State papers begins in 1760, continuing, so far as the old Province of Quebec is concerned, till 1791, when it is parted into two streams by the formation of the two Provinces of Lower and Upper Canada. When that point was reached, I had the staff of copyists divided, half taking Lower and half Upper Canada, so that the papers relating to each might be received concurrently. That work is carried on steadily, with a competent staff of copyists.

"We have, also, a variety of family papers of various periods; numerous documents relating to the refugee loyalists, inaccessible to Sabine and others who have hitherto written on that subject; copies of old parish registers from Acadia and the Lower St. Lawrence, from the Illinois, Detroit, &c., besides notarial registers, originals and copies from the latter named place. More of these registers would have been copied had means permitted. There are miscellaneous documents of general interest as well as those local to Canada; a very valuable collection of printed historical works and pamphlets old and new; county histories, manuscript and printed, and, as I have already said, original accounts of many of the early settlements; the valuable collections of the publications of the Public Record Office, London, numbering now upwards of 400 volumes, which I was fortunate enough to obtain as a gift from the British Government. The new volumes of these are sent as issued, besides the important and valuable reports of the Historical Manuscripts' Commission, which is bringing to light the treasures hitherto concealed in the muniment rooms of the old British families.

"My ambition aims at the establishment of a great storehouse of the history of the colonies and colonists in their political, ecclesiastical, industrial, domestic, in a word, in every aspect of their lives as communities. Included in this should be the history of the old French *régime* in Acadia, Canada, Louisiana and the westward; of all the British Colonies in America, from their beginning down at least to 1796, when the last of the frontier posts were transferred to the United States. The fortunes of all were so intertwined that it is impossible to separate the records of them without injury. It may be a dream, but it is a noble dream. It has often spurred me to renewed effort, when the daily drudgery—for it is drudgery—was telling on mind and body. It might be accomplished, and Ottawa might become on this continent the Mecca to which historical investigators would turn their eyes and direct their steps. But who is sufficient for the task?"

The following is an extract from a letter by Mr. Walter Shanly, M.P., enclosing a number of inscriptions from grave stones in the old English burying-ground, Montreal. The letter fully explains the reason for publishing these inscriptions.

"I send you a few jottings, taken many years ago in the old English Burying-ground here in Montreal, and which, seeing that the tombstones from which they were transcribed are no longer to be found, may have sufficient historic value to entitle them to preservation in the Archives. Some of the names recorded are of persons conspicuous in the "Haldimand Collection," and other official correspondence of the latter half of the last century. The burying-ground in question was on the corner of Dorchester and St. Urban streets. Some dozen years since the city government decreed its destruction, and it was converted into a park—so called. In

some few cases, where descendants of the early English residents were still to be found, and who thought it worth their while their ancestors' bones 'from insult to protect,' the tombstones and monuments, with the remains they guarded, were removed to Mount Royal Cemetery. But such instances were not many and, doubtless, the ashes of scores of once noted citizens of Montreal now lie beneath the sward of the new 'park,' while the stones that once marked the graves and 'implored the passing tribute of a sigh' have been turned to base account in the macadamizing of the streets. 'They manage these things better' in the States. In Boston the "Kings' Chapel" and the 'Park' burial places, and in New York Trinity and St. Paul's Church Yards, situated in the heart of commercial quarters of their respective cities, would, if put up for sale, have a money value to be reckoned by millions; but the hand of the destroyer has never been permitted to touch them. The sacred acres are jealously guarded as part of the history and carefully tended as among the adornments of the two cities."

JOTTINGS FROM TOMBSTONES IN THE OLD "ENGLISH" BURYING-GROUND, DORCHESTER STREET, MONTREAL, 1866.

The notes in parentheses are by Mr. Shanley.

1. **HONBLE CONRAD GUGY**
 Captain 60th Regiment
 Member Legislative Council, Lower Canada.
 Died 10 April 1786
 æ : 56.
 (Conrad Gugy, a Swiss by birth, came to Quebec with General Wolfe.)

2. **FELIX GRAHAM**
 Merchant
 Died 4 Feb : 1787. æ : 65

3. **JAMES ELLICE,**
 Late of Schenectady, N. Y.
 Merchant
 Died 15 October, 1787

(James Ellice came to Montreal a poor tradesman. He was founder of a great London Banking house of Ellice & Co. His grandson, the Rt. Hon. Edward Ellice, held a high social and political position in England, previous to 1865, about which time he died. The family have large estates in Scotland.)

4. **MARGARET MCKENZIE GRAY.**
 Died 20 March, 1788. æ 27 y : and 15 da :

5. **THOMAS FROBISHER.**
 Died 12 September, 1788. æ : 44 years.

6. **JOHN PORTEOUS.**
 Died 13 June, 1789.
 This monument erected to his memory by his friend
 The Hon. James McGill.

(An upright, square, expensive, monument. The inscription, on a sandstone tablet, almost illegible.)

7. **THOMAS SHEPPARD.**
 Late Merchant of Detroit.
 After crossing the Atlantic from Great Britain was unhappily lost in the River
 Jacq^{ue} Cartier.
 25 May, 1791.
 Aged —
-
8. **ANNA CLARKE.**
 Wife of Isaac Winslow Clarke
 Died 5 January, 1792.
 Æ: 32.
 (First wife of Commissary General Clarke. See No. 28.)
-
9. 10. **JOHN MCGILL and ANDREW MCGILL.**
 JOHN Died 1 Dec., 1797, æ: 51.
 ANDREW Died 1 Aug., 1805, æ; 49 and 3 months.
 Monument erected by their brother
 JAMES MCGILL.
-
11. **JOHN GOULD, Surgeon.**
 Died 26 Nov., 1779, æ: 39.
-
12. **JAMES WALKER.**
 Judge of the King's Bench, District of Montreal.
 Died 31 January, 1800, æ: 44.
 —also—
 His Daughter
13. **AMELIA ANNE, wife of**
 Capt. SAMUEL ROMILLY, R.E.
 Died 12 June, 1824, æ: 37.
 —also—
 Her Grandfather
14. **JAMES HUGHES**
 Town Major, Montreal
 Died Sept. 11, 1825, æ: 87.
-
15. **MRS. T. SANFORD,**
 Wife of
 Ephraim Sandford,
 Died 29th May, 1800, æ: 47.
-
16. **JAMES PERRY.**
 Died 4 Nov: 1802, æ: 64.
-
17. **ROBERT RUSSELL.**
 Barrister,
 Died 2nd Nov: 1803, æ: 45.
-

18. **JEAN FRANÇOIS LOUIS GENEVAY.**
Deputy Paymaster General for the District of Montreal.
Died 23 April, 1803, æ: 66 years.
www.libtool.com.cn
He was a native of Switzerland but served
King George 44 years.
19. **HONBLE JOHN ELMSLEY**
Formerly Chief Justice of Upper Canada
And at the time of his death Chief Justice of Lower Canada.
Died 30 April, 1805, æ: 42.
20. **ANN FINLAY GORDON**
Wife of
Col. Gabriel Gordon
Died 13 May, 1808, æ: 29.
21. **JEMIMA**
Widow of
Lawrence Ermatinger
Died 26 July 1809, æ: 72.
22. **EDWARD WILLIAM GRAY**
Upwards of 40 years Sheriff of the
District of Montreal
Died 22 December 1810, æ: 68.
23. **JOHN PLATT**
Lieutenant in late King's Rangers
Died 8 January 1811, æ: 61.
24. **JACOB WURTELE.**
A native of Germany
Died 4 January 1811
Æ: 42 years, 9 months, 14 days.
Resided 19 years in Canada. A good subject.
25. **JOHN GREGORY, Esq.**
Died 22 February 1817, æ: 66.
— and —
26. **Isabella Ferguson, his wife,**
Died 27 March 1819, æ: 66.
27. **Deputy Commissary General**
ISAAC WINSLOW CLARKE
Died 7 July, 1822.
— and —
28. **JANE DESMOND SUTHERLAND**
— His Wife —
Died 6 October 1836, æ: 66.
(Commissary General Clarke was a U. E. Loyalist from Rhode Island.)

29. MARY ASTON COFFIN,
Wife of
Charles Richard Ogden
Died 20 July, 1827.
-
30. CHRISTINA GORDON
Wife of
CAPTAIN M. F. REAL,
Royal Staff Corps
Died 22nd October, 1827, æ: 28.
-
31. Lieutenant Col. HENRY WARDE
Royal Regiment
Died 22 May,—1838.

(Col. Warde was shot dead in a duel with Robert Sweeney, first husband of Lady Rose, wife of Sir John Rose.)

A different course to that followed in Montreal has been taken in other places. An evidence of this is furnished by a "Sketch of the old Parish Burying-ground of Windsor, Nova Scotia," forwarded by Mr. Henry Youle Hind. The Town Council of Windsor has obtained possession of the ground, one of the oldest rural places of interment in the Dominion, and are taking steps for its preservation and ornamentation, and it is with a view to assist in this object that the sketch has been written.

The Calendar of the Haldimand Papers is finished in this report, the titles of the volumes indicating to a large extent, but not altogether, the nature of the documents they contain. The proceedings against the Hon. John Cochrane are in five volumes, the contents of which will fully explain the nature of the case, as referred to in correspondence to be found in preceding volumes, and need not be further referred to. Volume B 213 contains "Memorials from Officers and Soldiers in the Army," the documents in which correspond to this description, with the exception of a communication from the Jesuit Roubaud, of whom an account was given in the report on Archives for 1885, beginning at p. xiii. A very full summary of the document written by Roubaud is given in the Calendar; the text is in B 213, beginning at p. 304. It is undated and without any special address, but very characteristic of the man, who, whilst betraying Du Calvet's confidence, and selling his secrets, laments his fate, saying: "*Il en est réduit a moi, que la facilité de caractère entraîne toujours vers les malheureux*" (p. 308). In volume B 206 Roubaud's correspondence closed in April, 1787, when he appeared to be in the last stage of wretchedness. It will be seen by Haldimand's diary that he was alive subsequent to that date and apparently living on charity.

Among the memorials from civilians in Canada (B 217) are several from and respecting negroes, showing the legal existence of slavery down to 1784, the date of the last document on that subject in this volume, which is a petition from a free negro to be protected in his liberty, threatened by the husband of the woman with whom he was a servant.

Some interesting information may be found in B 217 respecting the early efforts to establish a system of Protestant education in the Province, and in the following statement I have supplemented this by details contained in other documents.

James Tanswell, who succeeded Mr. Reid as school teacher in the city of Quebec, had, according to his own statement, "spent the twenty first years of his life in acquiring a universal education" was assistant in several schools in England, and opened an Academy in London, which he continued for seven years. In 1772, through Messrs. Watson & Rashleigh on behalf of gentlemen in Nova Scotia, "he was prevailed on to cross the Atlantic in order to plant the liberal Arts & Sciences in that Country." After being five years in Nova Scotia he was induced by Sir Guy Carleton to remove to Quebec, where he was to receive every encouragement. He did not arrive until Sir Guy Carleton had left, but appears to have been well received by Haldimand.

The boarding school Mr. Tanswell opened proved a cause of loss, he having, as appears by a memorial of the 1st July, 1782, sunk £500, and met with little encouragement, so that he was compelled to ask for other employment to add to his earnings from school fees. A year later (July, 1783) he asked authority to call his school "His Majesty's Royal Quebec Academy," an authority granted him, as he styles himself in a power of attorney dated 31st January, 1785, "Master of His Majesty's Academy" (powers of attorney, 1784-94). Even this title did not appear to bring prosperity, as in March, 1784, he again sent in a memorial appealing on account of his circumstances for an additional room in the Bishop's Palace, "that which Mr. Reid did formerly keep school in." At that date he had been placed on the Civil list for £100 sterling a year, but the warrant for his six months' salary, from 1st November, 1783, to 30th April, 1784, did not issue till the 9th of July of the latter year (Warrants 1784, Vol. I, p. 127). He was subsequently interpreter for the courts, besides holding some other small offices.

Schools were established among the loyalists at Machiche, Sorel, St. John's etc, but these were not, so far as the evidence goes, of a kind to furnish more than the most limited education. The first teacher in Montreal who aimed at anything higher, was John Pullman, who, in a memorial dated in January, 1779, stated that he had left New York in 1773 by the recommendation of the Rev. Dr. Ogilvie, to try to establish a school in Montreal, in consequence of an application to him from gentlemen of that city. From the memorial it would appear that he there kept a school under the direction of a committee, and now applied for a licence as Protestant schoolmaster, similar to that granted to Tanswell in Quebec, the recommendation in his favour being signed by the leading men of Montreal. No allowance appears to have been granted to him, and Pullman struggled on, but owing to the number of loyalists and others who had opened schools, his scholars decreased in number and he was reduced to great poverty, so that in 1782 he applied for any small employment as a clerk and for a subscription to a work he had prepared, of which the full name is given, the short title being the "Cash Clerk's Assistant." What became of him there is nothing in the documents to show.

Finlay Fisher opened a school about 1778, and from his own statement, it was well attended and flourishing. In his memorial, dated 5th June, 1783, he applied for a share of the grant made to Christie (of whom some account is given in connec-

tion with the Rev. John Stuart) in addition to what he already enjoyed. It was not till the 1st of November, 1785, that effect was given to his petition, the first warrant for the increased amount being dated on the 1st of May, 1786, for the salary for the preceding six months. (Warrants, 1786, Vol. I, p. 77). In a paper on the "State of Religion" it is stated that the £25 forfeited by Christie was given for a schoolmaster to the Indians on the Grand River, but the evidence of the warrants is incontestable, that the £25 for an Indian school must have been drawn from some other source, as Fisher received for many years after the date of the paper the additional salary granted to him when Christie lost it by his misconduct.

An undated memorial prays for the appointment of the Rev. John Doty to the office of schoolmaster in Montreal, but as he was, about the probable date of the memorial and for a number of years afterwards Protestant Minister at Sorel, it is evident that he did not enter on the situation.

The earliest teacher in Montreal of whose life there is any definite information was the Rev. John Stuart, afterwards first Anglican clergyman at Cataragui, now Kingston. He was born in the Province of Virginia, in 1736, according to Hawkins; Sabine says 1740, and was ordained in England, returning in 1770 to Philadelphia, from which place he was sent to the Mohawk Valley as an Indian missionary. At the breaking out of the American Revolutionary War, he was put under arrest for his loyalty, as is shown by a letter from Schenectady dated the 29th November, 1780, to Sir John Johnson, in which he says that having been a prisoner on parole for two years, he had at last obtained permission to be exchanged for Mr. Gordon, of Ball's Town, so that he might proceed to the British Provinces. The exchange was not effected, and on the 16th April of the following year he was still at Schenectady, and to him and three other principal men of that place Sir John Johnson looked for intelligence of the enemy's movements, in room of "Hudibras," who had been betrayed by one Hewson, a volunteer with Joseph Brant, who deserted from Fort Stanwix and gave information at Albany against the Loyalists. Haldimand had on the 12th of April suggested Mr. Stuart's name, but did not know how far his situation with the people might favour his obtaining intelligence, "but at any rate, he may collect all the different rebel newspapers in a box, and have a certain place agreed upon, suppose a hollow tree, to deposit them."

On the 30th of July, 1784, Haldimand wrote to Sir John Johnson that he could not think of exchanging Mr. Gordon for Mr. Stuart, and pointed out how useful the latter might be in the revolted Provinces, although at a sacrifice of his own personal comfort.

In the following October he was, however, in Canada, and opened an academy in Montreal for youth, in conjunction with Mr. Christie. In acknowledging receipt of the advertisement, Haldimand offered to give every encouragement to so laudable an undertaking, and appropriated towards that object part of the bounty allowed by Government, adding, "Your advertisement will be published to-morrow, but I directed the words 'principally intended for the children of Protestants' to be left out, as it is a distinction which could not fail to create jealousies, at all times improper, but more particularly so at present." He desired him also to receive all classes with the same readiness.

With this injunction Mr. Stuart promised to comply, and said that, in fact, he had already done so, having admitted every person that offered, Protestants, Catholics, Jews, &c., and that no distinction would be made on the score of religious sentiment or on any other ground.

Unfortunately for the success of the school, the assistant, according to the report made to Haldimand on the 27th November, 1782, was incapable of teaching even the lowest branches. He knew nothing of the classics, which Mr. Stuart was himself to teach, but he professed to be a perfect master of all the practical branches of mathematics, arithmetic, &c., yet could not solve the first rules, and knew nothing even of the most ordinary English subjects. The report with great simplicity says: "I could have dispensed with his ignorance of the English language and faulty accent, but when I found him unacquainted with the rules of common arithmetic, and often obliged to apply to me (in the presence of the pupils) for the solution of the most simple questions, I could no longer doubt of his inefficiency." The consequence was a separation and the engagement of a new assistant. The old school room was left to Christie, who did not keep his scholars long, and left the Province shortly after the separation, as is stated in a memorial by Finlay Fisher, dated 1783. At the date of the report the attendance at Mr. Stuart's school was 44, with a prospect of increase. The warrants show that the Government allowance to him was £50 sterling a year, continued until he left to become chaplain at Cataraqi. This was one half of the full amount, the other half being divided between Christie and Finlay Fisher.

The great desire of Mr. Stuart appears to have been to settle at Cataraqi, and in February 1784, he wrote twice to Major Mathews, pressing his request. In April he had engaged a substitute to take charge of his school during the time he proposed to be absent. In July he reported that he had visited Cataraqi, where he obtained a lot within a mile of the barracks, and had spent some time among the Indians. The society had left to himself the choice of the place of his future residence, but had reduced the salary he had received as missionary to the Mohawks from £70 to £50 for the new station, and he asked if he was to obtain the office of Chaplain at Cataraqi. In 1786, says Sabine, he opened a school at Kingston, which agrees with the indications afforded by the warrants, the last of which, for his salary as schoolmaster in Montreal, is for the six months from the 1st of November, 1785, to the 30th April, 1786, for £25, equal to £50 a year; the first for his salary "as Minister of the Church of England at Cataraqi" for the six months beginning on the 1st of May, 1786, and ending on the 31st of October, for £50, being double the salary as schoolmaster. It is unnecessary to follow Mr. Stuart farther, as he ceased from this time to have any connection with the work of education in Montreal.

In volume B 220 is a collection of documents relating to the movement for the introduction of French priests into the Province. In June, 1783, a very numerous signed petition was presented to Haldimand by Messrs. Mezières and Delisle, praying that two French priests lately arrived might be allowed to remain in the country to perform religious service and to assist in the work of education, &c. The answer on the 24th of June was conciliatory in tone, but explicitly stated that the orders to send the two French priests back to France were given on public grounds alone, and referring to Mgr. Montgolfier and the priests of the Seminary for evidence of

the good will Haldimand had always shown to them. The correspondence, which will be easily found in the calendar of B 220, may be referred to by those interested in the subject. Other correspondence on the same subject is in B 185-2 beginning at page 403.

That the refusal was due to political causes and to the stringent orders Haldimand had received from the Ministry does not seem to be doubtful. His consideration and kindness to the nuns at Montreal and Quebec, and his readiness to relieve them of the burden of taxation, are evident from the answers to the memorials for relief from taxes prayed for by the nuns of the General Hospitals of Quebec and Montreal, as well as from the ladies of the Congregation. The memorials and answers will be found in B 219, p. 9, and in B 223, pp. 167 to 188. The answer to the application of the nuns of the General Hospital of Montreal is substantially the same as those given to the other similar applications. It is dated the 29th January, 1781. "Wishing to recompense the good services which the religious ladies of the General Hospital of Montreal have rendered, and daily render, to the public by the asylum which their house gives to the infirm and poor of both sexes as well as to foundlings—we by these presents (in the name of the King) make a gift and remission of the *droit d'amortissement*, which is due to His Majesty for the acquisition which the said religious ladies of the General Hospital have made of the Seigniory of Chateauguay mentioned in the present petition."

In 1784 a census was taken of the population of the three Governments—Quebec, Three Rivers and Montreal—in addition to which Bishop Briand supplied a list of the parishes, curés, revenues, &c., in his diocese, and Mr. François Baby, Adjutant General of Militia, furnished a general enumeration of the ecclesiastics and religious communities. The general census will be found in volume B 225-2 in detail; only the summary of it is here published, but the other tables are given as they appear in the volume. The complete census of the three Governments in the volume mentioned will be found for Montreal at page 386, Three Rivers, 389, and Quebec, 390. A census of Indians (p. 393) taken in 1733, is also given, the whole, as well as the ecclesiastical tables and the militia returns, will be found at note B , together with a memorandum on the state of religion in the Province in 1790, having a very complete statement attached, showing by districts the number of clergy, schools, scholars, Catholic and Protestant, &c., in the Province at that date. The notes to the census are not repeated in the tables as printed here.

No remarks are necessary on the volumes—B. 226, 227, 228 or 229. There are three volumes (B. 230 to B. 232), containing Haldimand's diary, which is given in full. The entries were made irregularly, sometimes in one of the books, sometimes in another, so that it has been difficult to arrange them in exact chronological order. The attempt to do this has not been absolutely successful, except where public events could be made use of as a guide, although no very important error will be found, and notes have been made where the dates cannot be positively established. The determination to publish the diary in full was not arrived at without serious consideration, so much of it deals with the busy occupations of an idle man, dining, visiting, card playing, &c. It was, however, felt that the character of a man who

filled the office of Governor and Commander-in-Chief at so critical a period of the history of Canada, and whose conduct in that position has been so sharply criticised, might be more justly estimated, whether the judgment be favourable or unfavourable, by giving the diary complete, rather than by making extracts which might not unreasonably be suspected to have been chosen for reasons, consciously or unconsciously, biased by prejudice, either in favour of or against the writer. The diary, which is in French, has been printed exactly as it was written, so far as can be made out. It should be remarked, however, that whilst many of the errors in spelling, &c., may have arisen from carelessness in hastily writing the entries, the writing is so small and difficult to read that it is not impossible errors may have been committed in copying, in spite of the utmost care. In many cases the proper names are given in most eccentric forms, some no doubt from being imperfectly heard when introductions took place. Every care has been taken to identify the persons meant and the conjectural names have been added in brackets.

I have, according to the rule I have usually observed in the reports, made a translation, so as to be of service to those whose knowledge of French is imperfect.

In the course of publishing the calendar, inquiries have been made respecting a certain General Budé, whose letters were evidence that he held a position near the person of the King. The diary shows that he was an intimate friend and counsellor of Haldimand, with whom he was in constant association. Budé was a native of the Pays de Vaud, who was at one time page to the Prince of Orange, and afterwards held a commission in the Sardinian service. When it became necessary to select a tutor or governor for Prince William Henry (afterwards William IV), Salzas, who had been assistant to Lord Holderness, Governor to the Prince of Wales and Prince Frederick, and had secured by his conduct in that capacity the King's confidence, was consulted by His Majesty on the subject of the selection. Salzas recommended Budé, who became a permanent resident in the Royal household, and was made a General in the Hanoverian service. He was afterwards appointed private secretary to the Duke of York, and died at Windsor on the 30th October, 1818, at the age of 82. He is highly spoken of as a man of great attainments, honour and prudence.

Salzas, in whom George the Third and the Queen took a lively interest, as is shown by the diary, was a native of Switzerland, was a tutor in Holland and became private secretary to Lord Holderness and then deputy governor to the Prince, as already stated. (*Life of William IV*, p. 17.)

Whilst a large space is occupied with the most frivolous details of dining and visiting, yet glimpses are to be had of the men by whom the history of Canada under British rule was first moulded. The character of Amherst does not appear in a very favourable light, he being represented as self-seeking and regardless of the interests of those whom he sought to make useful to himself. Some of the entries show Carleton's necessities, which compelled him to secure all the advantages possible from his position as Governor General of Canada; others indicate Clinton's extravagance; others the doubtful character of Chief Justice Smith and the undue influence he exercised over Carleton; others again the intrigues for place and honours not dwelt on, yet clearly shown. At page 213 of the diary, as printed in this report, is a curious contribution to the history of the Yorktown capitulation, a strike among the carpenters in New York having delayed for a fortnight the

departure of the fleet intended to co-operate with Cornwallis. These and other details may be found useful in the study of public events. Haldimand's kindness towards his relations, his generosity to the young officers of his battalion and others, and the hospitality he extended to all Canadians arriving in London are shown very clearly in the diary, in a matter-of-fact way, and cannot be disregarded should his biography ever be written.

One entry shows the little control King George III had over his family, who behaved with great rudeness whenever the restraint of their mother's presence was removed, the influence the Queen possessed over her unruly children being plainly indicated. The fondness of both King and Queen for social gossip has brought out the story of Lord Heathfield's proposed second marriage, not noticed by any of his biographers. Lord Heathfield, better known as General Elliott, for three years defended Gibraltar against the combined attack of France and Spain, with a handful of men. As one of his biographers says: "All the eyes of Europe were upon his conduct, and his final triumph was universally allowed to be among the most brilliant military transactions of modern times." Singularly enough, the date of his birth was unknown to his biographers. One of them says he was born about the year 1718; the others give the year (1718), but without further particularizing. His own statement to Haldimand leaves no doubt on the subject; he was, he said, born on the 1st of January, 1718. Lord Heathfield was a man of the most abstemious habits, used no animal food, drank no wine and was satisfied with four hours sleep; but in his seventy-third year, after a shock of paralysis, he made up his mind to marry again, to the unconcealed amusement of the Court but to the great chagrin of his only son and of his relations. Before the marriage could take place, however, he died on the 6th of July, 1790, at Aix-la-Chapelle, on his way to Gibraltar.

Haldimand survived his friend Lord Heathfield only a few months, having died at Yverdun, in Switzerland, probably in the May following. The notice of his death in the Annual Register for 1791, is placed after those for June, and states that he had died *lately*. A certified copy of his will is among the Archives (Series M. G., Vol. 20, p. 59), dated 30th March, and entered at Doctor's Commons on the 21st of June, 1791. The following is a copy of the will:—

In the name of God Amen.

I, Sir Frederick Haldimand, Knight of the Order of the Bath and General in the Service of his Britannick Majesty thinking proper to dispose of my property Do by this present Will name my dear nephew Anthony Francis Haldimand settled in London for my Universal Heir of all the property which I shall possess at my death as well in Europe as in America and of what nature soever such property may consist without being obliged to render any account thereof to any one of the family under any pretence the whole upon the following conditions, that he shall pay all my just debts and the legacies hereunder mentioned.

I leave to my sister in Law Corn Low the sum of twenty thousand Livres Swiss money.

Item to my four nieces Henrietta Haldimand, Mesdames Newlet, Aubergeaunoix and Bertram to each the sum of Twenty thousand Francs Swiss.

Item to my Great Nephew Lieutenant DeVos, the sum of Thirty thousand Francs Swiss.

Item to my Great Nephews and Nieces, that is to say to the six children of my nephew Anthony, to the five of my niece Newlet (including therein Lieutenant DeVos) to the two of my niece Aubergeaunoix and to the four of my niece Bertram

making seventeen in number I leave to each of them the sum of Ten thousand Livres Swiss on the express condition that my nephew Anthony (whose generosity and prudence I know) shall have full power to keep in his hands all the sums above mentioned or any part thereof, and as long as he shall judge convenient for the advantage of the above named paying them interest at four per cent per annum without being obliged to pay the principal on any pretence.

I leave to the Parish of St. George Hanover, my Parish eight hundred Livres Swiss.

Item to the Hospital of Yverdun, to the Direction of the Poor and to the Library of that place sixteen hundred Francs each.

I leave to Mr. Adam Maben, Judge of the Common Pleas of Quebec the sum of Ten thousand Livres Swiss revertable to Mrs. Elizabeth Maben his sister in case she survives him, but in case they shall both happen to die before me this Legacy shall not be of any validity as to their Heirs.

I beg of Major Mathews Mr. Jenkin Williams Solicitor General at Quebec Captain Lewis Genevay and Captain Freeman of the 24th Regiment to accept of sixteen hundred Francs Swiss each as a mark of my remembrance and esteem.

I also beg of Mr. De Salzas and General Budé to accept of my two gold snuff Boxes.

My Nephew shall pay to each of my servants a year's wages none of them being at liberty to Claim any of my wearing apparel.

Finally I annul and revoke every other will which I may have made before the date hereof and willing that this may have a full effect I have written the same with my own hand and have hereto affixed the seal of my arms at London, 30th March, 1791.

FRED. HALDIMAND, (L.S.)

N.B.—A pound sterling shall always }
be valued at the rate of sixteen Livres }
Swiss money.

Signed, sealed and delivered by the said }
General Haldimand, and in the presence }
of the undernamed who have signed as }
witnesses.

K. CHANDLER,
ANDREW FALCONER.

Faithfully translated from the original in the French Language at Doctor's Commons London this twenty-first day of June in the year of our Lord one thousand seven hundred and ninety-one.

By me

WM. ABBOTT,
Notary Public.

In the report on Archives for 1887, some remarks were made in relation to the negotiations with Vermont for re-union, the documents relating to these being among the Haldimand papers. Since the date of that report other State papers have been received, containing further correspondence on this subject. Extracts from this correspondence will be found in Note C, to which reference is made. Additional light is thrown on the policy of the leading men of Vermont, and it confirms in a remarkable degree the inference from the reports of the negotiations held with Justus Sherwood and Dr. Smyth, that, but for the capitulation of Cornwallis at Yorktown, Vermont would have resumed her allegiance to the Crown.

The calendar of the "Bouquet Collection" has been begun and finished in this report. It may be briefly stated that Bouquet was a native of Switzerland, and served in the Dutch and Sardinian armies. He and Haldimand were in 1754 selected to raise men for the "Royal Americans," a corps intended for the British service in America, the officers of which were to be either American or foreign Protestants. (This corps was afterwards known as the 60th Rifles). Bouquet was actively employed in America during the last years of the war between France and Britain, and held a leading command in the contest with the Indians, including the period of the Pontiac War. He died in Pensacola, Western Florida, some time previous to the 4th of September, 1765, that being the date when the inventory of his effects was taken after his death. Unfortunately, by a fire at Captain Callender's house at Carlisle, Bouquet's public papers and receipts down to July, 1759, as well as his baggage and private papers were destroyed, so that the correspondence is not complete.

By his will, made in July, 1763, he directed that his executor, Thomas Willing, should burn all his papers that had no connection with the public affairs in which he had been concerned (A 23-2 p 270), but his last will, made in April, 1765, has no direction of this kind, and Colonel (afterwards General) Haldimand was appointed his heir and executor (A 30, p. 22). Although much of the private correspondence has thus evidently been lost, what has been preserved and the public documents show Bouquet to have been possessed of considerable natural abilities, carefully trained. A thorough soldier, he was keen in perception and prompt in execution; kindly in his intercourse with his officers, yet quick to check any approach to undue familiarity, or want of respect, a power he seldom required, however, to exert. Like every good leader, whilst able to understand the general bearings of the situation of affairs, he made himself fully acquainted with the minute details, the want of attention to which has so often proved fatal in military movements.

A very cursory examination of the correspondence will show that it was to him the Generals, under whom he successively served, looked for the execution of the plans laid down for the campaigns in which he took part, and that these plans were largely due to his advice and suggestions.

In Parkman's "Montcalm and Wolfe," an account is given of Bouquet's services in 1758 (Vol II, Chap. XXII); and a graphic description of the battle of Bushy Run, or rather Edge Hill, in 1763, is in "The Conspiracy of Pontiac" (Vol II, Chap. XX.) The story is told in Mr. Parkman's felicitous style and forms a striking picture. The letters of the 5th and 6th of August, containing the report of the two day's fighting, written by Bouquet to Sir Jeff. Amherst, are published in an Appendix to the work last cited. An account of the battle, which excited great attention, is in the Annual Register for 1763, beginning at page 24, but several important details are wanting. An admirably clear account of the Indian contests is furnished by Dr. F. W. Poole, in the "Narrative and Critical History," Vol. VI, Chapter IX, with a portrait of Bouquet and other illustrations, and a copious list of authorities. With all the accounts of this action, it might be considered unnecessary to do more than refer to it here as part of Bouquet's history. But the correspondence previous to the relief of Fort Pitt, in the course of which he had the two days' fighting at Edge Hill, and that subsequent to the defeat of the Indians, have never been published, although of importance, in view of the difficulties thrown in the way of the British commanders.

The two letters already published by Parkman cannot be omitted in the series given at Note D. without injury. The casualty return is supplied from the Colonial Office Records (A & W. I. 98-2 p. 382). It does not accompany the letter contained in the "Bouquet Collection."

The correspondence in this note gives clear evidence of the state of feeling in the Colonies on the subject of raising troops in their own defence. In "Montcalm and Wolfe," (Chapter V, p. 137), is a striking account of the efforts of Dinwiddie, lieutenant Governor of Virginia, to obtain troops from the Colonies to co-operate with the British regulars in the campaigns against the French, and the little success he met with. The Governors of the different Provinces could do nothing with the Assemblies, with whom most of them had some standing dispute or other. Then the Colonies could come to no common agreement for mutual defence. "As the lands invaded by the French," says Mr. Parkman, whose own words I prefer to give rather than to condense the statement, "belonged to one of the two rival claimants, Virginia and Pennsylvania, the other colonies had no mind to vote money to defend them. Pennsylvania herself refused to move. Hamilton, her Governor, could do nothing against the placid obstinacy of the Quaker non-combatants and the stolid obstinacy of the German farmers, who chiefly made up the Assembly * * * * With men abundant and willing, there were no means to put them into the field, and no commander whom they would all obey." (Montcalm and Wolfe, Vol. I, p. 141, 142).

This was whilst the contest was in progress to decide whether France or Great Britain and her colonies should secure control of the northern part of this continent. After that had been decided, the colonists were free from dread of attacks by the French, but the scourge of an Indian war still compelled a large part of the population to trust to the British troops to defend their lands and protect their lives. The ill feeling of the Assemblies towards the Governors of the Provinces has been almost the sole cause assigned for the refusal to raise troops, either to assist in offensive operations against the French or the defensive and offensive measures necessary to meet the barbarous warfare of the Indians. The correspondence in the "Bouquet Collection" shows, however, that the spirit of resistance to the slightest exercise of a controlling power by the British Government was much deeper and more widespread, and this spirit was evidently not a new development from any recent, real or supposed, encroachment on Provincial rights. After the Treaty of Paris of 1763, one of the chief causes assigned for the outburst of this feeling, especially in Virginia, and in Pennsylvania, was the prohibition of the King to the settlement on the lands secured to the Indians by the Treaty of 1758, and reserved for their use, a reservation repeated in the proclamation of 1763, following upon the Treaty of Paris. Of the correctness of this statement, there does not appear to be any dispute on the part of those who have treated of this particular phase of the question of colonial independence, but it has been represented that the reservation of Indian lands was the cause of the irritation, and the blame for what was inevitable from the predisposition of the colonists, has been laid on the policy of the British Government, as formulated in the report by the Board of Trade. That report recommended the enforcement of the Indian treaties, and as a consequence the preservation of the fur trade, a collateral advantage arising from the honest fulfilment of engagements. In closing the

discussion of the policy of preserving the occupation of those lands by the Indians, Dr. Poole says, in the work already referred to ("Narrative and Critical History," Vol. VI, p. 688):

www.libtool.com.cn

"Such in clear and specific terms was the cold and selfish policy which the British Crown and its Ministers habitually pursued towards the American colonies; and in a few years it changed loyalty into hate, and brought on the American Revolution."

A careful study of the notes which accompany Dr. Poole's valuable contribution, the facts being carefully stated and supported by authorities, would seem to lead to a different conclusion, and tend to modify the opinions generally expressed in the United States on the Indian policy of the British Government.

A marked change is, in fact, taking place in the views of historical writers in the United States on the subject of the causes that led to the revolt of the Colonies and the subsequent revolution. The juxtaposition of passages from an Eastern and Western author will most strikingly exhibit the nature of the change:

"There is no general assertion which comes nearer to the truth on this subject" (the sentiment of independence) "than that, from the first colonization of America by the English, the spirit of independence was latent here, and was in a steady process of natural development."* "The Treaty of Paris may be said to have laid the corner stone of American independence. It lifted the cloud of terror which had so long overhung the great wall of the Alleghanies. The colonists no longer felt that they needed England's protecting arm to secure them from the French."†

The complaints of the commanding officers in the two periods, those immediately preceding and those immediately succeeding the close of the French war in 1760, show a marked similarity in regard to the treatment of the British troops, who were fighting for the benefit of the Colonies as much as for the interests of the Empire at large. It is unnecessary to refer in detail to these complaints, but some may be briefly indicated, as found in Bouquet's correspondence.

In 1757, then, it appears by that correspondence, that neither money was voted nor men supplied, except in the most grudging manner, by the Provincial Assemblies over whose limits Bouquet's command extended; that extortionate prices were charged for all supplies furnished to the army, and for every article sold to the private soldier; that an import duty was laid on the provisions required to feed the troops employed to defend the country and the lives of the inhabitants; that the colonists, whilst pleased to have troops to defend them, made no difference between a soldier and a negro; that the want of quarters caused epidemics of sickness, which reduced the troops to one-third of their nominal strength, the only Province excepted being Georgia, of which it is stated that though poor, it had done well. In 1758 no change for the better appears to have been made. Carolina sent a regiment *naked*, a strong term, no doubt, but the men must have been miserably clad, as they could only be exercised on a fine day. This state of feeling prevailed to the close of the French war and before any serious question had arisen regarding restrictions on the settlement of Indian lands. The reports of the conduct of the Provincial troops, the

* Dr. Geo. E. Ellis in "Narrative and Critical History," Vol. VI, p. 232.

† Hon. Rufus King; American Commonwealth Series—"Ohio," Chap. V, p. 80.

good conduct of some, the constant desertion of others, are to be found in the calendar.

To the same indication of the contents of the correspondence must be referred those who desire to investigate the course pursued by the Colonies during the Indian warfare, which was continued with increased violence after the close of actual hostilities with the French on this continent, as the calendar, gives a very full abstract of the correspondence and other documents. The letters at Note D give a glimpse of the obstacles in the way of the British commanders, but the documents in the collection from 1761 to 1764 must be read very carefully by those who desire to possess a thorough knowledge of the events connected with that period of terror in the settlements, and of the extent and magnitude of the confederation formed by the Indians, as a last general stand against their subjection to the whites. At Note E is a correspondence respecting Indian lands; the proposals in 1760 for their settlement: the proclamation by Bouquet in 1761, prohibiting hunting or settling on them by unauthorized persons; the correspondence with Governor Fauquier and General Amherst on the subject; and, to complete the documents on that head, the Royal Proclamation of 1763, so far as it relates to these lands.

It is one of the advantages of such collections as those made by Bouquet and Haldimand, that it is possible to ascertain the real characters of the men, not merely their public acts and utterances. In the course of Bouquet's correspondence frequent references are made to a family named Willing living in Philadelphia, one of whom became a partisan leader in the Revolutionary War. It is apparent that if there was not a formal there was an understood engagement between Bouquet and one of the young ladies. Mr. Lunan, a gossiping correspondent, constantly speaks of the family, in such a tone as makes it evident that the engagement was generally believed. It was naturally, therefore, a shock to Bouquet to receive news of the marriage of Miss Willing, which Lunan, dreading the effect, dared not communicate plainly himself, but employed Captain Ourry, an intimate friend as well as brother officer of Bouquet, to do so. In a letter of the 12th February, 1762, Ourry gives the information, which he says Lunan considered too disagreeable to do, of the marriage of Miss Willing to Mr. Frances, a gentleman of fortune, who had arrived only the previous October from London. On the 6th of March following he again writes urging Bouquet to throw off the melancholy into which he had fallen; and advising him to double his exercise, &c. "But," he says, "I observe that instead of that, you run full drive into the lion's mouth, by indulging a melancholy solitude. You are I hope sensible by my last, that I do not make light of your disaster and am far from feeling merry upon it, for no one can condole more sincerely upon the occasion than your sympathising friend," &c. (A 12—1 p 311).

Ourry writes again, this time in French on the 10th of March, a long letter, of which the opening paragraph sufficiently shows how much the disappointment preyed on Bouquet's mind. "I have read, my dear friend," says Ourry, "and re-read attentively your sad letter of the 1st, and am deeply touched with your condition. I see that your mind, agitated like the sea after a violent shock of earthquake, has not regained its tranquillity. I had only too well foreseen the fatal effect of this sudden event. Would to God I could also have prevented it!" * (B 12—2 p 314).

After reminding Bouquet that in writing to announce the marriage, he had done so in such a manner as to open the flood gates of passion that it might be the sooner exhausted, Ourry continues : " I am moved by the touching recital of your painful situation, and I conjure you by all you hold dearest and most sacred not to let yourself drift at the mercy of a passion which possesses you and which will soon deprive you, if you do not take care, of the means still remaining to you to overcome it." † (A 12—2 p 314). The letter is full of good sense and true friendship.

It was after Lunan had given him a vague notification of the approaching change in the Willing family, that Bouquet wrote the following letter, in answer to the charge that two words in a letter to Mr. Willing were undecypherable. Lunan's letter is dated the 18th of January, the answer is in February, the day not given. It is published to show the mastery Bouquet had gained of the English language, and his thorough familiarity with its idioms, as well as the genial style of the correspondence he held with his intimate acquaintances, reserving for his friends the deeper thoughts of his heart :—

FORT PITT, Feb., 1762.

Are you not ashamed Lunan to raise a dust and crow over two miserable words you happened to stumble upon in one of my letters, while I am obliged to keep a man here at high wages to decypher your hieroglyphics, and lose whole lines after all.

Should you not have remembered the precept,—not to behold the mote in your brother's eye, while there is a beam in your own.

See now to what trouble you have put me to confute you ! I had to run to the Arabs, for their art of guessing at obscure characters ; to the Egyptians for a proper name to those unintelligible † † † which you impose upon me for letters or words, and at last to the Scriptures, to make you blush at your presumption.

Instead of bringing this first confusion upon yourself, would not your time have been better employed in ruminating sedately upon the wholesome advice I had given you To MARRY. Don't you see the girls disappear one after another, as the stars below the horizon ? And will you never consider that old age is at hand, ready to invade you with all his comfortless train ?

Who but an affectionate wife will then bear the grating sound of a threatening cold cough and the deadlier repetition of older tales ?

Who will be your faithful attendant in sickness ? Who can handle your gouty leg and rub your rheumatic arm with a gentler hand ? And who, saving you from the rapacious clutches of disaffected servants, will take the load of your domestic cares and make your home agreeable to yourself and your friends,

Who shall be the most sacred depository of your most secret thoughts ; the kind partaker of your joys and sorrows ? Who your friend, your counsellor, your guide, but the wife of your bosom ?

Think of that Master Brooke, and before the heavy hand of Time engrave deeper furrows on your blooming cheeks, improve the present day, for to-morrow it may be too late.

* J'ai lu, mon cher ami, et relu avec attention votre triste lettre du premier, et suis sensiblement touché de votre état. Je vois que votre esprit agité, comme la mer après une rude secousse de tremblement de terre, n'a pas encore repris son assiette. Je n'avois que trop bien prévu l'effet funeste ; plutôt à Dieu que je leusse aussi bien pu prévenir ! "

† Je suis attendri du recit touchant que vous me faites de votre situation douloureuse, et je vous conjure par ce que vous tenez de plus cher et de plus sacré, de ne vous pas laisser aller à la merci d'une passion qui vous mène, et qui vous privera bientôt, si vous n'y prenez garde, des moyens qui vous restent encore pour la dompter."

After having (so long ago) resisted the strong impulse of Nature, and ever since the more powerful attractions of a seducing eye: Ah Lunan! will you yet be deaf to the persuasive voice of reason, and repenting too late, die at last a forlorn batchelor?

For my own part, if I live to see more propitious skies, I swear by the dear remembrance of my former loves that the first and sole business of my life shall now be to exchange that ill-fated title for the endearing name of Husband.

In the meantime, I remain my good friend,

Your very anxious humble servant,

H. BOUQUET.

It will be seen how different is the tone of this letter from those written to his friend Ourry. It is impossible to tell whether, when it was written, Bouquet had more than the hint given in Lunan's letter of the approaching change in Mr. Willing's family, that is, Miss Willing's marriage. Although enough was said to alarm him, no trace of apprehension on that point is in the letter, yet there can scarcely be a doubt that rumours had reached him to which Lunan's reference gave body, and, if so, considering how deeply he felt, it is but another proof of how little can be discovered of a man's real state of feeling from his letters to acquaintances, however intimate these may be.

A series of "the Writings of Washington," edited by Mr. Worthington Chauncey Ford, is in course of publication, part of his letters to Bouquet being in the second volume. Additional letters to those published will be found in Volume II of series A of the Archives. These letters may be studied with advantage. Besides those from Washington to Bouquet there are some from the latter in answer. The volume is calendared in its numerical order.

The journal of Laverendrye already referred to, is at Note A, with a translation. It is scarcely necessary to say much of the explorer, whose name and the general account of his explorations are well known to the students of the history of Canada under French rule. A brief sketch may, however, be useful. Laverendrye was the son of the seignior of Varennes, who filled the office of Governor of Three Rivers for twenty-two years. He served in the army first here and then in Europe, whence he returned, and in 1728 was in command of the post on Lake Nipigon. Here he formed the plan of exploring the country to the North-West, which was approved of by Beauharnois, the Governor, and in 1731 he left Montreal on his first journey, which he undertook as a trading expedition, the French Ministry refusing to contribute towards the expenditure.

In a statement of his services and sufferings, which Laverendrye presented to the Minister of Marine, dated the 31st of October, 1744, published in Margry's Collection of Documents, (beginning at page 581 of Volume VI), a short account is given of his journeys up to that date, in which the expedition of 1738-39, of which the document at Note A is the journal, is mentioned, but the journal itself has never been published. In Garneau's History (edition of 1882-3, pp. 125 *et sequ*), a summary account is given of Laverendrye, to which reference may be made.

Laverendrye's account of the massacre of his son and his party in 1736, which is referred to in the journal now published, is given in his memorial to the Minister

of Marine. Two of his sons with two men had been sent to Fort Maurepas to act as a guard and to wait his arrival, but returned unexpectedly on the 4th of June, bringing news of the death of his nephew La Jemeraye and of the scarcity of food.

"I had" he says, "many people in the Fort (Saint Charles) and no provisions, which determined me to send in haste three canoes to bring us assistance and some goods. The Reverend Father (Auneau) immediately resolved to go to Michillimakinak. He asked me for my eldest son, as he hoped the journey would be speedy. I could not possibly oppose him, he being absolutely resolved. They embarked on the 8th of June, and were all massacred by the Sioux at seven leagues from our fort, by the greatest of all treasons. I lost my son, the Reverend Father and all my Frenchmen; I shall regret it all my life." (Margry, vol. VI, p. 589).

These were the risks to be run by the early explorers of those regions. After the death of Laverendrye in 1749, the work was undertaken by Le Gardeur St. Pierre, the journal of whose expedition from 1750 to 1752 was published in the report on Archives for 1886.

Forty years after the death of Laverendrye (1789), and again in 1793, Sir Alexander Mackenzie made an exploration of the country. In the first he reached the North or Frozen Ocean and in the second, the North Pacific. An account of his expedition was published in 1801, with the title "*Voyages from the River St. Lawrence through the Continent of America to the Frozen and Pacific Oceans in the years 1789 and 1793.*" As the volume may be easily found, it is unnecessary to do more than refer to it. His remarks on the consequences flowing from the certainty that the North-East or North-West Passage from the Atlantic to the Pacific Ocean, so long sought for, had no practical existence, may be quoted, his most sanguine expectations of the benefits to be derived from a passage across the continent being far exceeded by the facilities now afforded by railway communication. At page 497 of the quarto edition of 1801 Sir Alexander says, "The non-existence of any such practical passage being at length determined, the practicability of a passage through the continents of Asia and America becomes an object of consideration. The Russians who first discovered that along the coasts of Asia no useful or regular navigation existed, opened an interior communication by rivers, &c., and through that long and wide-extended continent, to the strait that separates Asia from America, over which they passed to the adjacent islands and continent of the latter. Our situation, at length, is in some degree similar to theirs, the non-existence of a practical passage by sea, and the existence of one through the continent, are clearly proven, and it requires only the countenance and support of the British Government to increase in a very ample proportion this national advantage, to secure the trade of that country to its subjects."

The search for a North-West or North-East passage had been continued for many years, the Russians having contributed largely to the prosecution of this object. Jeffery, in a translation of Muller's account of Russian discoveries, puts that work in an accessible form, it having been written in High Dutch. The translation was published in London in 1761, a thin quarto with maps. That Sir Alexander Mackenzie's voyage did not settle the question is a matter of notoriety, other expeditions having been subsequently sent out to continue the search for a North West passage.

An account of Vancouver's voyage in 1790, continued down to 1795, principally, as the title states, "with a view to ascertain the existence of any navigable communication between the North Pacific and North Atlantic Oceans," was published after the death of Vancouver (London 4to, 1798), in three volumes; an octavo edition was published in 1801-2 and a French translation in 1799. Nothing more than a reference is needed to these volumes. The correspondence urging on the British Government the sending such an expedition has never been published. It is given in this report as part of Note A, and is the more interesting to Canadians as containing the views of men holding positions in Canada respecting the most efficacious means of conducting the explorations proposed. What these were may be found in the correspondence itself.

The reference to the anticipated war with Spain made in the entry in Haldimand's diary of the 5th May, 1790, may justify a short sketch of the state of affairs leading to this, as well as to the proposal for the expedition.

The Spaniards laid claim to all the lands on the Northern Pacific up to the borders of the Russian establishments, and in accordance with this claim they had the coasts watched by ships of war to prevent encroachments or settlements. In what is described as the usual tour of the coast of California by the Spanish ships, British vessels were discovered and seized at Nootka Sound, on the ground that by right of discovery, previous and subsequent to 1774, the coasts had been taken possession of by Spain, the form of taking possession being more particularly repeated in 1775 and 1779, all along the coasts as far as Prince William's Sound. In appealing to France in terms of the Family Compact of 1761, for armed assistance in the war then apparently imminent between Spain and Great Britain, the Spanish Ambassador on the 16th June 1790, represented to the Court of France as an undoubted fact, that by treaties and for other reasons stated, all the coast to the north of Western America on the side of the South Sea, as far as beyond what is called Prince William's Sound, which is in the 61st degree, was acknowledged to belong exclusively to Spain, and for that reason was due the *detention*, a word used instead of *seizure*, of the two British vessels seized in the Bay of St. Lawrence, or Nootka, situated in the 50th degree to the north of California.

These pretensions were not acknowledged by the British. A company had been formed in 1786, of merchants residing in the East Indies, to open a trade with the North-West coast of America for supplying the Chinese market with furs and ginseng. Two vessels were that year fitted out and placed under the command of Lieut. Meares. During the winter of 1786-87 he remained in Prince William's Sound, and in the autumn of 1787, he carried a cargo of furs to China. In subsequent voyages he obtained land at Nootka Sound, and from different chiefs the promise of an exclusive right to trade along the coast. Having associated with another firm, trading with the same object, an agent was directed to fix his residence in Nootka Sound, to erect a house and prepare to carry on trade. Vessels loaded with stores and provisions, as well as articles for the trade, sufficient for three years, were dispatched from China in April and May of 1789. In addition to their crews, they had on board artificers and nearly 70 Chinese, who were to settle on the American coast in the service and under the protection of the associated company. Previous to their arrival, other vessels left on the coast and trading from Nootka Sound were seized

by the Spaniards, a fate which befell the "Argonaut" from China, which arrived off Nootka Sound on the 3rd of July. Representations being made to the British Government a demand was sent to Spain for restitution and for compensation, which was granted shortly after negotiations had opened. As printed materials to trace the course of the events connected with the seizure and restitution of these vessels are to be found, it is not necessary to enter into minute details. The correspondence between the Courts of Britain and Spain is in the Annual Register for 1790, beginning at page 285, and the substance of a memorial from Lieut. Mears to the Right Hon. W. W. Grenville (p. 285); the memorial itself, with accompanying documents, is among the Archives (series P, vol. 72, No. 4).

It is interesting to note that the trade from the Pacific Coast to China, which is in process of development since the construction of the Canadian Pacific Railway was in existence and actively carried on by means of sailing ships a hundred years ago, and at the same time the suggestion was made by Ogden in the letter now published, that that route might be used to carry intelligence to the East Indies in time of war.

On the 24th of May, 1790, His Majesty sent a message to Parliament, that Spain was arming and that he had given orders to make such preparations as would put it in his power to act with vigour and effect in support of the honour of his Crown and the interests of his people and asking for means to take such measures and to make such augmentation of his forces as might eventually be necessary. The answer was an assurance that the most zealous and effective support would be given. Every preparation was made for war on both sides, and it seemed impossible that it could be averted, when on the 24th July, two months after the King's message to Parliament, peace was established, Spain having offered complete reparation. This sudden surrender on the part of Spain has been attributed entirely to the celerity with which the British fleet was fitted out, but probably the action of the National Assembly of France had as much to do with the pacific determination of the dispute as any other cause. On the 16th June Spain sent a categorical demand to France, for compliance with the terms of the treaty of 1761, known as the Family Compact, which stipulated for mutual assistance in time of war. The demand was couched in the most urgent terms, and asked that the measures to be taken should be active, clear and positive, as an indispensable preliminary to a successful negotiation. The answer was not long delayed. The National Assembly had taken the alarm before the demand had been made by Spain. In prospect of such a demand, the question was raised to determine in whom resided the power to declare peace or war, and a resolution was introduced that it should be vested in the National Assembly alone. Mirabeau proposed a middle course, but the revolutionary journals threatened a general massacre should the extreme proposal be rejected, and the power to declare peace and war was, without qualification, vested in the National Assembly. (Allison 1853, Vol. I, p. 329). Thus the Family Compact was destroyed, and Spain, deprived of her ally came to terms, as already stated, on the 24th July, 1790, the terms being embodied in a convention signed on the 28th of the following October, but in anticipation of the war, the Spaniards had been endeavouring to obtain the alliance of the Indians on the Mississippi to attack the British settlements (Series Q 50-1, pp. 30, 32). The Convention no doubt put a stop to these proceedings. By this agreement

it was stipulated that, besides the reparation for the seizure of vessels, Great Britain should have an equal right with Spain to the exercise of all commercial undertakings in those seas formerly reputed to belong only to Spain, and ships were sent to receive formally the restitution of the territories on which Spain had seized. It will thus be seen how direct is the interest Canada has in this question of the Nootka Sound seizures.

Peter Pond, on whose map Mr. Isaac Ogden relies (Note A, No. 3) was a fur trader, who in 1778 was entrusted with the disposal of Indian goods belonging to traders who had entered into partnership in the North-West trade. He settled for the winter of 1778-9 on the banks of the Elk River, which he erroneously called the Athabasca, and was very successful in his dealings with the Indians. A massacre of traders and the outbreak of small-pox ruined the fur trade, the only fortunate people being a party which had penetrated in 1780 to the northward and westward, as far as Lake La Rouge. Mr. Wadin, who was in charge of this party, and was subsequently murdered, is described by Sir Alexander Mackenzie as a Swiss gentleman of strict probity and known sobriety. Two sets of traders, of which Wadin's partners formed one, agreed to unite their goods, and Pond was appointed by the other set of traders to be joint representative with Wadin. He appears, from the cautious statements made by Sir Alexander, to have been a rough trader, and the two men could not agree. Sir Alexander says that about the end of 1780 or beginning of 1781 Wadin was shot in his own house, a crime for which Pond and a clerk of Wadin's, named Sieur, were tried for murder, but acquitted. "Nevertheless" says Sir Alexander, "their innocence was not so apparent as to extinguish the original suspicion."

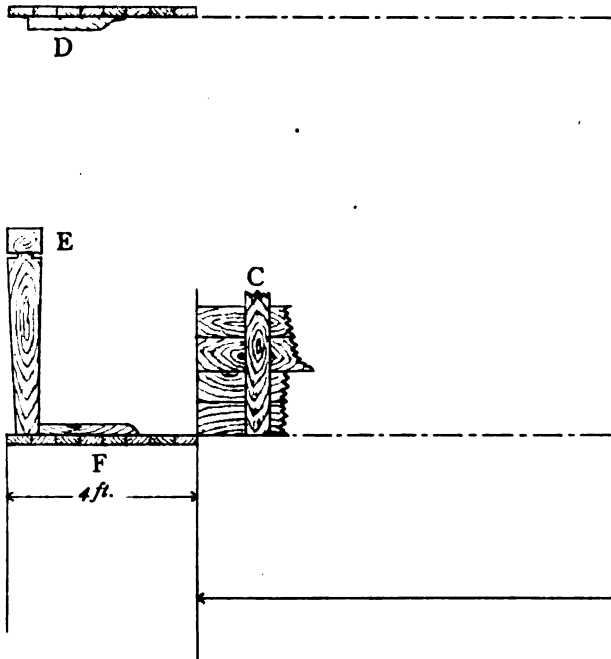
The sworn statement of Joseph Fagniaut, described as a *voyageur*, taken before a magistrate in Montreal, fixes the date as the beginning of March, 1782. The deposition is a graphic account of the affair. About nine o'clock in the evening, Fagniaut left Mr. Wadin's, and ten minutes after, when seated in his own house, which was beside and touching that of Wadin, he heard two musket shots. He first sent a man to see what was wrong; then, on his report, went himself and found Wadin stretched on the floor beside his bed, his left leg broken and wounded from the knee downwards, two or three balls having passed through; these he found on the spot. While in the act of entering he saw Pond and Toussaint Sieur at the door, when Sieur asked Wadin if it was he who had killed him. Wadin answered: "Be off both of you, let me never see you again." (*Allez-vous en tous les deux que je ne vous vois plus*). He then became too faint from loss of blood to answer the questions put by Fagniaut, and died before it could be ascertained which had shot him—Pond or Sieur, or if both were equally guilty.

A motive for the murder is furnished by the fact of Pond and Wadin having come to blows a month before, and of a quarrel having taken place on the evening of the death, an hour before supper. (Archives, series B, vol. 219, p. 113).

The widow on the 29th of May, 1783, in a memorial to have the two men, Pond and Sieur, apprehended by the military officers commanding at the back posts, gives as the reason, "that from the great distance of country the civil power cannot exert itself for the purpose of apprehending and bringing the offenders to justice." (B 219, p. 123).

www.libtool.com.cn

www.libtool.com.cn



*Lithographed to accompany the Report on
Canadian Archives for 1889,
by Douglas Brymner, Archivist.*

Pond, as stated by Mr. Dalrymple, was a native of the United States, and being dissatisfied with the trading company whom he served, returned there at the end of 1790, to seek employment. (Series Q., vol. 50-1 p. 1.)

A few words may be said of the writers of the documents published in Note A. George Dixon was the captain of the "Queen Charlotte," which made the voyage around the world in the years 1785 to 1788, along with the "King George," commanded by Captain Nathaniel Portlock, the account of which was published in London in 1785.

Isaac Ogden was, at the time he wrote to his father, acting clerk of the Crown. He afterwards was a judge of the Vice-Admiralty Court in Quebec.

Alexander Dalrymple was hydrographer to the East India Company, having been employed when a youth as a writer in the service, and placed in the secretary's office.

In 1795 he was appointed hydrographer to the Admiralty. He was warmly employed in voyages of discovery.

Captain Holland was a son of Major Samuel Holland, for many years Surveyor-General in Canada.

In the report on Archives for 1886, documents and a plan were published relating to a canal, which had been constructed on the north side of the Sault Ste. Marie, about 1797. The existence of this canal had been entirely forgotten, the only notice made of it being a casual mention in Harmon's Journal and one by Schoolcraft, so that great doubts existed as to whether it was ever in actual use.

Judge Steere, of Sault Ste Marie, Michigan, having, on the statements in the report, called the attention to this subject of Mr. A. S. Wheeler, General Superintendent of the St. Mary's Falls Canal, Michigan, an examination was made by two gentlemen on the spot, and the results communicated by Mr. Wheeler in a report to Colonel O. M. Poe, of the United States Engineers, at Detroit, a copy of which was kindly sent me, from which the following extracts are taken. It is to be observed that sketch No. 2, mentioned in Mr. Wheeler's report, is a reprint of the plan published in the report on Archives for 1886. The two sketches, Nos. 1 and 3, by Mr. Wheeler have been lithographed and published here for reference. After seeing that Judge Steere had called his attention to the report, Mr. Wheeler says:

He invited me to accompany him in a search for the ruins. I did so, and was successful when they were found. The unusually low water of this season facilitated the search. Joseph Cozens, provincial land surveyor, of Sault Ste. Marie, Ont., felt interested in the matter and furnished a gang of men who removed a portion of the earth, which covered and concealed the floor and foundation, all that remained of the structure. These were found to be in perfect condition; indeed, they could be again for a similar purpose if necessary. Sketch No. 2 is a plan which accompanies a letter written by Messrs. Forsyth, Richardson & Co., and dated April 18, 1854. The gentlemen were former partners in the North-west Company, but were dissatisfied, and seeking to establish a new company. It will be observed that the plan is shown on this 'plan,' but not the lock. Sketch No. 3 shows those parts of the old lock still remaining which were uncovered and examined. These consist of the pier, the foundation on which it rests, the lower ground-sill and the remains of the timbers shown at 'D,' 'E' and 'F,' the use of which is not exactly understood, but which probably served to connect the lock with its upper approach.

"The floor of the lock is forty feet long and eight feet nine inches in width. It is made of plank two inches thick running longitudinally. They are fastened to transverse foundation timbers with wooden pins shown at 'B.' There are three planks, the seventh or middle one being narrower than the others. The last transverse timber formed the sill for the gate. It is twelve inches square. On top of this is pinned a piece of oak eight inches wide and four inches thick. It is probable that this piece was the cleat against which the lower edge of the gate rested when closed. There are mortises in each end of this timber shown at 'A.' The mortises, the countersinking and notch in the floor plank seem to indicate that vertical timbers fourteen inches square stood at these points.

"The remains of an old wharf were found at 'B,' Sketch 1. There are many large boulders along the shore and in the shallow water, but it was observed that all had been removed from in front of the lock, leaving a wide and safe entrance. At Sketch No. 1, were found old timbers imbedded in the earth on both sides of the stream. These timbers appear to be part of the foundation of a dam. The fact that the water from this point to the old lock is at present about seven feet deep is probable that the dam raised the water two feet, thus giving a lift to the lock of two feet. The timber used seems to be spruce. There were some nails used about the structure, three or four of which were removed. They were hand-made and seem to have been been cut from a square rod and headed by a blacksmith. The dam between 'A' and 'C' Sketch No. 1, seems to be recent. It was probably caused by the dam at 'C' and did not exist until after the lock and its approach were destroyed. It is this stream, which carried down the material which covered and concealed the floor and foundations."

After quoting the description given by Captain Bruyères, R.E., of the old wharf, &c., at the establishment, taken from the report on Archives for 1886, p. 24, Mr. Wheeler continues :

"It seems probable from this description and from the parts of the structure remaining, that the lock and its upper entrance, or leading trough, as it is called by Captain Bruyères, were both constructed of wood and in the manner of a flume. The bottom and sides were of plank, the sides held in place by vertical timbers tied together at the top by horizontal cross pieces, which were high enough so that boats could pass under them. This theory is sustained by the fact that the transverse timbers still remaining under the floor of the lock have mortises in their ends for vertical timbers and by the further fact that there are no remains of earthwork or retaining walls on either side of the old lock, or its upper approach.

"The dotted lines from 'A' to 'C,' in Sketch No. 1, show the probable location of the approach or 'leading trough.' The canal mentioned by Bruyères is very conspicuous. The 'pathway of the round logs' can yet be found in place."

Referring to the same report as to Franchère's visit in 1814 (Report on p. xxviii), Mr. Wheeler continues :

"No definite mention is here made of the lock, but it is almost certain that it had been in existence at the time of the attack it would have been destroyed. Being built of wood and mostly above ground it could have been destroyed as easily as the buildings and sheds. This then indicates a limit to the duration of the lock. It was completed in 1798 and could not have existed after 1814. It is, however, quite possible that it was destroyed or abandoned before 1814, as no reference has been found later than 1803. Indeed, it is not certain that it was ever successfully used as a lock. It may have early been converted into a raceway for the sawmills and this may explain why its existence as a lock has been so completely forgotten.

It is estimated that there were used in the entire structure 20,000 feet by measure of two inch plank and 5,000 feet running measure of hewn timber.

"Very respectfully, your obedient servant,

"E. S. WHEELER, Gen'l. Supt."

www.libtool.com.cn

No. 1.

RGED FROM

OF RIVER ST. M

www.libtool.com.cn

This report leaves no doubt of the existence of the lock, and the report of Capt. Bruyères would seem to establish the fact, doubted by Mr. Wheeler, that the lock was in successful operation up to that date—that is, September, 1802. Nothing being, however, clearly stated as to the use of the lock, although it is difficult to conceive how access could be obtained to the canal without it, the question becomes one of interpretation of documents. Thanks are due to Judge Steere and Mr. Wheeler for their courtesy in communicating the result of researches made in the interests of historical truth.

Before the time when this canal was built projects were entertained of opening up water communication by means of canals, which were not accomplished for many years after. This was the case, among others, with the Chambly Canal, which was proposed by Mr. Silas Deane, so far back as 1785, and as an introduction to the documents published in Note F, with the title: "Canal from Lake Champlain to the St. Lawrence," Lord Dorchester's letter to Lord Sydney, is here transcribed. The date is the 24th of October, 1787:

"My Lord,—

"A proposal was made to me by Mr. Silas Deane, a few days before my departure from England, to cut a canal from Lake Champlain round the rapids of St. John, into the basin of Chambly, for the purpose of opening a navigation to that Lake from the River St. Lawrence of a certain burthen.

"As far as a cursory view of the country can justify an opinion, this object appears to be practicable and useful, both in a commercial and political view, provided the conditions of executing the same be not objectionable. I have therefore advised Mr. Deane to lay the particulars of his plan and proposal before your Lordship, that the same may be considered, and submitted to the King's pleasure.

"I am &c.

"DORCHESTER."

(*Series Q.*, Vol. 28, p. 160.)

The Silas Deane, whose proposals are in Note F, was born in Groton, Connecticut, on the 24th December, 1737. He was a member of the first Continental Congress, on the outbreak of the American Revolution, and was sent as a secret political agent to France, to ascertain the views of the French Government and to obtain military supplies. He left Bermuda on the 24th of April, 1776, the vessel in which he had at first embarked in March having been obliged to return, reached Bordeaux on the 6th of June, and arrived in Paris early in July, "a stranger to the language as well as the customs and manners of the nation." He made the acquaintance shortly after of M. Beaumarchais, whose services to the revolted colonies are so well known to all who have studied the events of that period, that it is only necessary to refer to them. In November of the same year (1776) Deane was joined by Franklin in Paris; he, with Arthur Lee, having been sent by Congress to negotiate treaties with France, a work in which Deane took part. On the 4th of March, 1778, he received the order for his recall by Congress on charges made by Arthur Lee, against him, Benjamin Franklin and John Adams. (See "The Case of Silas Deane, published by the Seventy-Six Society, 1855. Gordon's History of the Rise, &c., of the United States, 1788, vol. ii, p. 372, vol. iii, pp. 38, 217, 218). After the peace (apparently about 1785) he went to England, and it was whilst there that the proposals contained in Note F were made. It will be seen by his letter to

Nepean, dated 20th May, 1789, that he intended to sail for Quebec in June, but as he died on the 28th of August, it is clear that his intention was not carried out. He died at Deal, it is stated in poverty. In the last of his observations, he anticipated by many years a proposal which was renewed some time ago, but unsuccessfully, for the construction of what was then called the "Caughnawaga Canal."

A similar proposal was made by Mr. Adam Lymburner in 1791. In order to facilitate the transit of goods from the States of New York and Vermont to be shipped at Quebec, he says :

"It would be necessary to cut a canal of about six miles from the top of the rapids of St. Therèse to the basin of Chambly. I do not suppose it would require more than three or four locks, the canal to be seven feet deep and fourteen feet wide. Large boats would then be able to come from the further end of Lake Champlain to Quebec, without unloading, a distance of upwards of three hundred miles." (Q. 57-1, p. 61).

On this subject the following letter from Ira Allen, of Vermont, is of sufficient interest to justify its publication. The letter is addressed to the Duke of Portland.

SUFFOLK STREET, No. 8 CHARING CROSS,
19th March, 1796.

MY LORD,

I had the Honour of addressing to your Grace two memorials proposing to open a canal, and praying, in behalf of the State of Vermont, a sanction to navigate from Lake Champlain through the River St. Lawrence to the Atlantic Ocean, on which I feel the most anxious Hopes for your Grace's favourable Decision.

At a late Interview at your Grace's office Mr. King having expressed your Grace's Desire that all possible Information be obtained relative to this matter, particularly with respect to the advantages which may accrue to Great Britain from the execution of the measure proposed, I take leave therefore to subjoin to the Reasons already submitted in my said memorials to your Grace the following:—From the solid establishment of a wisely regulated commercial Intercourse between Great Britain and Vermont naturally productive of reciprocal Benefits, the Blessings of an immutable Peace will be ascertained between the two Countries; under these happy circumstances Vermont tenacious and true to its own interests rather than hazzard its essential and most valued enjoyments by any concurrence whatever in Designs of hostile nature, must in all possible events feel insuperable Impulse to stand or fall in the faithful support of her Commerce with Great Britain, and in the Result the Commerce of Vermont instead of being carried on by the way of New York and Boston must naturally take its course through the Hands of British Merchants who also may avail themselves of the very peculiar and important advantage, in time of war, of shipping their goods to and from Canada secure from Capture, in the neutral Vessels of Vermont, and Government will be free to employ the ships of war, otherwise necessary for Convoys therein, on any other urgent service.

As to the apprehensions which I understand from Mr. King may possibly be suggested in opposition to the salutary measure proposed, viz. "That the laying open the Canal and Navigation in question might tend to disseminate Republican Principles among his Majesty's Canadian Subjects," I have only to remark that so far from there being any Ground for such apprehension, it will, nay I am warranted to assert must, prove the most efficacious Remedy of any that may possibly be concerted for obviating all attempts of such Dissemination as well as wholly to frustrate their operation and effect.

With respect to the sufficient Powers and authorities, which Mr. King is pleased to represent to be vested in the Legislature and Government of Lower Canada, for accomplishing the object of my solicitations to your Grace I humbly submit to your Grace, that in the result of frequent communications with the late Governor

Haldimand and with his successor Lord Dorchester and late Chief Justice Smith at Quebec upon that Business it was their uniform Opinion that the application ought to be addressed to his Majesty's Minister, as being competent to decide, and issue the proper orders accordingly. libtool.com.cn

I have the honour to be with the greatest respect,
My Lord,
Your Grace's most obedient
and most humble servant

IRA ALLEN.

(*Archives, series Q, vol. 77, p. 247*).

In August, after three month's absence on the Continent of Europe, Ira Allen again wrote to the Duke of Portland on the subject, pressing for an immediate decision, as he was preparing to leave for America, so soon as he had adjusted some mercantile transactions. (*Archives, series Q, vol. 77, p. 339*).

The tone of the letters is remarkable, and seems to indicate a continuance of the feeling of Vermont, tersely stated by Mr. E. J. Phelps in an article in the *Nineteenth Century* for February, 1888. Referring to the claims against the settlers on the New Hampshire and New York grants, Mr. Phelps says: "The Vermonters resisted these claims, set at defiance the legal process from the New York courts, and in defence of their lands maintained the independence of their State, under a constitution of their own, until 1791, when their titles having been conceded, they applied for admission, and were received into the Union."²

In spite of the various representations of the commercial and political importance of the proposed canal, nothing was then done. After the close of the war of 1812, and in 1818 a bill was passed authorising a company to build a canal, but little practical work was done, although money was spent, until after the union of the two Provinces, when the canal was begun as a public work in 1844 and completed in 1849, sixty four years after the original proposal had been made by Mr. Deane. (See General Report of the Commissioner of Pubic Works for 1867).

The history of the Lachine Canal is much the same. In Mr. Lymburner's letter, quoted above, he also proposes that a canal should be built from Lachine to Montreal, a distance, he estimates, of about seven miles "that the boats bringing the produce of the upper settlements for exportation may proceed directly to Montreal. At present every thing going to or coming from these new settlements must be carted that distance, which will fall very heavy on the rude produce of the Lands." (Q. 57-1, p. 62).

It was not till 1815 that any steps were taken to construct the canal. Like the Chambly Canal, it was to be the work of a company, but that also had to be assumed by Government, which completed the work in August, 1824, the first vessel passing through in 1825.

On the 13th July, 1826, Colonel By, who was the officer in charge of the construction of the Rideau Canal, wrote to General Mann, of the Royal Engineers, proposing, for military and commercial purposes, the building of canals capable of passing steamers measuring 110 to 130 feet in length, from 40 to 50 feet wide and drawing 8 feet, besides deepening the north passage round the Island of Montreal, which, with the addition of one or two locks, would form one uninterrupted line of communication from Quebec to the Upper Lakes."

Colonel By's views respecting the effect of a canal to connect Lake Champlain with the Richelieu are identical with those of Lymburner in 1791. He says :

"By opening the Richelieu River in the same manner, to admit the steamboats entering Lake Champlain, would be the means of making the River St. Lawrence the great outlet for all the produce of that vast tract of land connected with the lake, notwithstanding the strong efforts the Americans are making to draw off this trade by cutting various canals."

Colonel By's estimate of the total cost was—for

The Welland Canal.....	£400,000
Rideau	400,000
Grenville	100,000
North side of the Island of Montreal	150,000
Richelieu	150,000
	£1,200,000

By's letter (of 10 pages) is among the Archives, series C, Vol. 42, p. 58, the correspondence in C 43, beginning at page 42. The decision come to by the Board of Ordnance on the report of Major General J. Carmichael Smyth being adverse to By's enlarged views, the canals were ordered to be constructed on the limited dimensions first determined on.

The whole respectfully submitted.

DOUGLAS BRYMNER,
Archivist.

OTTAWA, 31st December, 1889.

EXPLORATIONS DU NORD-OUEST.

JOURNAL DE LAVERENDRYE.

NORTH-WESTERN EXPLORATIONS.

JOURNAL OF LAVERENDRYE.

1738-39.

NOTE A.

EXPLORATIONS DU NORD-OUEST.

No. 1. JOURNAL DE LAVERENDRYE 1738-39.

(Les mots ainsi-marqués [] manquent dans le texte, la fin des lignes, au verso, étant rongée par le temps.)

(Originâ.)

Journal en forme de Letre, depuis le 20 de juillét, 1738. de mon Despard de michilimakina jusqu'en may 1739. Envoyé à Monsieur le Marquis de Beauharnois, Commandeur des ordres militaire de St Louis, Gouverneur et Lieutenant Général de toute la Nouvelle-France terres et pais de la Louisiane, par son très humble serviteur Lauerendrye, Lieutenant d'une Compagnie du Destachement de la marine En Canada, chargé de ses ordres pour la Découverte de la mer d'ouést.

J'eus l'honneur Monsieur L'année dernière de vous marquer mon Despard de michilimakina, en six Canots, vingt-deux hommes Esquipées d'une manière à pouvoir faire grande diligence, je me rendis au pais plats le premier d'aoust le matin, le douzième de mon Despard, j'y arresté environ trois heures pour parler aux sauvages de votre part, je n'y trouvé que le chef de gamanestigouya quelque vieillard, peu de jeunes gens,—j'avois déjà sçu qu'il estoient tous partis pour aller chez les Sioux, je fis assembler ce qu'il y avoit d'hommes, Leurs fis un present de tabac et bléd qu'il estime plus que les marchandises que L'on leurs donne à grand marché, je commencé mon discours par les blamer de ce qu'ils estoient allés en guerre, contre la parole qu'ils m'avoient donnée l'année dernière en passant chez eux, de ne rien entreprendre que à mon retour que je Leurs apportois votre parole, que vous n'estiés point dans le sentiment pour le present que l'on fit guerre, qu'on chaquun se tient tranquile sur leurs terres, que vous aviez vos raisons pour cela vous les feriez auertir si vous aviez besoin de leurs services, je leurs fit part ensuite des Nouvelles dont ils sont fort curieux.

Le Chef me répondit sur l'heure, mon père, ne sois pas fâché contre nous, le partis s'est leués contre nostre volonté, C'est le Canard nom sauvage de Mr de la plante, qui a voulu dire vraye, parlant avec des beaux presents de la part de nôtre père, ce que tu nous voye icy nous n'avons point voulu l'escouter, attendant ton retour, nous ne sommes pas des enfans pour avoir deux paroles, tu à été longtemps avec nous tu nous dois conoistre, nous auons toujours esté attaché à nostre père, nous le serons toujours, je les encouragés dans ces bons sentiments, de n'escouter par la suite que des chefs chargés de vos ordres, de bien chasser pour fournir le besoin à leurs famille, que par votre bonté les françois leurs venoit apporter sur leurs terres, je leurs dis adieu voulant profiter d'un bon temps le reste du jour, j'arrivai à gamanestigouya Le 5. Je fis publier vos ordres et laissé copie aux françois qui gardoit le fort ; Concernant ce poste et de tekamamihouenne pour estre remis à Mr de Lamarque qui y devoit arriver au premier jour, je partis Le 6. au matin, me rendis au Lac de tekamamihouenne, Le 22 du present mois, je trouée vn chef de guerre, Monsony, avec une petite bande qui m'atendoit près du petit destroit dans le dit lac ils me prierent de vouloir bien camper de bon heure, pour leurs faire part des nouvelles, je leurs accordés et leurs fis un present de votre part, Leurs fis ensuite la Lecture des responces, que vous avies en la bonté de faire, à leurs paroles de se tenir tranquiles pour le présent de bien garder leurs terres, enfin que les françois qui venoient de si loing leurs apporter leurs besoin, trouvasse toujours le chemin libre, le chef me répondit—je te remercy mon père, d'avoir eu pitié de nous, je vais en porter la nouvelle à tous nos gens qui sont après

NOTE A.

www.libtool.com.cn

NORTH-WESTERN EXPLORATIONS.

No. 1.—JOURNAL OF LAVERENDRYE, 1738-39.

(Translation)

Journal in the form of a letter, from the 20th of July, 1738, date of my departure from Michilimakinak, to May, 1739, sent to the Marquis de Beauharnois, Commander of the Military Order of St. Louis, Governor and Lieutenant General of the whole of New France, lands and country of Louisiana, by his very humble servant Laverendrye, lieutenant of a company of the detachment of the marine in Canada, commissioned by his orders for the discovery of the Western Sea.

I had the honour, Sir, last year to notify you of my departure from Michilimakinak in six canoes, twenty-two men, so fitted out as to be capable of making great speed. I reached the flat lands on the morning of the first of August, the twelfth day after leaving. I stopped there about three hours to speak to the Indians as your representative. I found there only the chief of the Gamanestigouya, a few old and a few young people. I had already known that they had all left to go among the Sioux. I caused to be assembled what men there were, made them a present of tobacco and wheat, which they value more than merchandise, which is given to them cheap. I began my speech by finding fault with them for going to war against the word they had given me last year when passing among them, to undertake nothing till my return; that I brought them your word that you were not for the present inclined to have war; that every one should keep quiet on his lands; that you had your reasons for this; you would have them warned if you required their services. I then communicated news about which they are very curious.

The chief answered me at once: My father, be not vexed with us; parties have been raised against our will. It is the Canard (Duck, Indian name of M. LaPlante) who wished it, to tell the truth, speaking with fine presents from our father, which thou seest here with us. We did not wish to listen, expecting thy return; we are not children to have two words; thou hast been long with us; thou shouldest know us; we have always been attached to our father; we shall always be so. I encouraged them in these good dispositions, to listen after this only to chiefs entrusted with your orders, to hunt well in order to supply the wants of their families, that the French would bring your bounty to them upon their own land. I bade them adieu, wishing to take advantage of the good weather for the rest of the day. I arrived on the 5th at Gamanestigouya. I had your orders published and left a copy with the French who keep the fort, concerning that post and that of Tekamamihouenne, to be handed to M. de Lamarque, who was to arrive there at an early day. I left on the morning of the 6th, and went to the Lake Tekamamihouenne. On the 22nd of the present month I found a war chief, Monsony, with a small band, who was expecting me near the little straight on the said Lake. They begged me to camp early to give them the news. I did so and made them a present in your name, then read to them the replies which you had had the goodness to make to their speeches to keep quiet for the present, to take good care of their lands, so that the French, who came from so long a distance to supply their wants, should always find the road open. The chief answered me: I thank thee, my father,

à faire de la folle avoine, je [les] ronds bien joyeux de ton retour, et en leurs contant la volonté de nostre père des paroles que tu nous a aporté et le recit que le vieux vient de me faire, tant de nôtre père, que de tout ce qu'il a veü là-bas, tu vas trouver bien du monde à ton fort du lac des bois, tous les chefs ti atende, en finissant de leurs parler, je leurs recommandé d'estre toujours bien fidel aux françois, ne point oublier vostre parole bien chasser pour contenter les trésteurs, il me répondit auéc de grande acclamations de reconnoissance, en mesurant ne jamais oublier tout ce que je luy auois dit, je l'encouragé de mon mieux me rendis au fort St-Charles, lac des bois. le 31. je n'y trouuée point LaColle chef des Monsony, je l'envoyés auertir, voulant parler à [tous] Les chefs ensemble, je diférés à leurs parlér jusqueaux 3 de septembre ou je rassemblée tous les principaux dans ma Chambre, leur fis [vn] présent de vostre part, aux trois chefs, LaColle, LamiCoine et le Chenail dont j'ay parlé plusieurs fois dans mes mémoires précédents, je commencée par les responce à leurs paroles que vous auiés eu la [bonté] de leurs faire apuyant fort sur chaque article, enfin de leurs faire comprendre la bonté que vous auiés pour eux, que tout ce que [vous] leurs permetiés leurs estoit très assuré, autant que de leurs costé ils seroient obéissants a vostre paroles, je sçauois que le vieux que j'auois mené auéc moy chargé de leurs paroles quoique les mains vide, leurs auoit fait vn fidele raport des bontés que [vous] auiés eu de luy, il ne cessoit de faire vostre Eloge, qu'ils auoient vn bon père qu'il falloit menager eu faisant sa volonté, La Colle répondit pour tous les autres, qu'il ne cessoit de pleurer mon fils et tous les françois que le lac estoit encor rouge de leur s[ang] qui demandait vengeance, ce qu'il n'auoit encore peu faire comme il auroit souhaité, ce n'estoit point à eux gens sans esprit à demander les raisons que vous auiés, de se tenir tranquiles po[ur] Le présent qu'ils estoit enfants obéissants, accorderoit à vostre uolonté, garderoit Leurs terres, comme vous leur ordoniés, esperant toujours que vous tirieris vengeance par la suite du malheureux coup que Les Sioux auoit fait sur leurs terres, cependant que vous estiés maître de chatier comme de pardonner, qu'il vous remercioit aux noms de tous et vous prioit de les reconnoître pour vos véritables enfants, qu'ils nous seroit toujours fidèles, vous leur demandiés de garder leurs terres, céstoit Leurs interest, Lamicoine me fit de grands remerciements du bon soin que j'auois eu de son frère, c'est du vieux que j'auois menés avec moi qu'il auoit apreendés de ne le plus reuoir, me priant de vous assurer de sa reconnoissance, qu'il noubliroit de sa vie le bien que vous aués fait à son frère, qu'il seroit luy et les siens toujours fort atachés aux françois, que mon retour auoit aporté la joye à tout que Leur joye ne seroit pas longue selon ce que son frere luy auoit dit que j'allois iuerner bien loing, qu'il me prioit de ne les point abandonner, si je voulois m'esloigner d'eux de leurs laisser vn de mes enfants, qu'il voudroit estre en pouuoir de me suivre qui le feroit d'un grand cœur, que son frere et son neveu qui s'atendoit à me suivre tiendrait sa place, je les encouragés à tenir leurs paroles et de bien chasser enfin de fournir aux besoins de leurs familles, que si j'allois plus loing c'estoit vôtre volonté, je voulois augmenter le nombre de uos enfants, que je leur laissois mon fils aynée à ma place, qui estoit adopté de leurs nations, leurs annonceroit vostre parole. Le conseil finit par de grand remerciements, je songés ensuite à medisposés à partir, je fis recevoir mon fils aynée commandant à mon absence et fis publier un ordre, attendant les deux autres avec moy, je differé à partir jusques au 11 de septembre, attendant Mr de Lamarque à qui j'auois promis de ne point presér ma marche pour luy donner occasion de me joindre m'ayant promis à michilimakina de faire diligence et cela pour venir avec moy dans l'automne à la Descouverte des mantannes que si deuant on apeloit ouachipouanne selon les monsony, Courtchouatte, Les Crix, mantannes c'est le nom de la nations—me voyant au dix du mois qu'il n'ariuoit point, et tout en bon ordre tant pour le fort que pour mon despard, je partis le 11. Comme j'ay déjà marqué esperant qu'il me vienderoit joindre assez tost pour venir avec moy, j'arrivé au fort de morpas, [Maurepas] le 22. ou je fis la reueu des armes publié vos ordres concernant le dit poste, en donés copie à Mr de Louiere commis pour ces Messieurs Destachés cinq de ses hommes pour venir avec moy, comme j'estois conuenu, je lesois à Mr de Louiere 9 hommes, je me rendis à la fourche des assiliboiles Le 24. ou

for having had pity on us. I will carry the news to all our people who are gone for the wild rice; I shall make them joyful at thy return and in relating to them the will of our father, with the words thou hast brought and the account which the old man has given me, as well of our father as of all he has seen below. Thou wilt find many people at thy fort of Lake of the Woods; all the chiefs expect thee. In finishing my speech to them, I recommended them to continue very faithful to the French, not to forget your words, to hunt well, so as to satisfy the traders. He answered with loud acclamations of gratitude, assuring me that he would never forget all that I had told him. I did my best to encourage him and went to Fort St. Charles, Lake of the Woods. On the 31st I did not find LaColle, chief of the Monsony; I sent to notify him. Wishing to speak to all the chiefs together, I deferred speaking to them till the 3rd of September, when I collected all the headmen in my room, and made a present in your name to the three chiefs, LaColle Lamicoine and leChenail, of whom I have several times spoken in my previous journals. I began by the answers to their speeches, which you had had the goodness to make, emphasizing strongly each paragraph, in order to make them understand the [kindness] you felt for them; that all [you] had allowed them was well assured to them, so long as they on their side should be obedient to your word. I knew that the old man whom I had brought with me, entrusted with their words, although with empty hands, had made a faithful report to them of the kindness [you] had shown him; he constantly sang your praises; that they had a good father, who should be pleased by doing his will. LaColle answered for all the others, that he did not cease to weep for my son and all the French men; that the lake was still red with their [blood], which called for vengeance, which he had not been able to take as he wished. It was not for them, people without intellect, to ask your reasons for keeping them quiet for the present; that they were obedient children; agreed to your will; would keep their lands as you ordered them, still hoping that you would obtain vengeance at some future time for the miserable stroke the Sioux had made on their lands. However, you were the master to punish or to pardon; that he thanked you in the name of all and prayed you to acknowledge them as your true children; that they would always be faithful to us; you ordered them to keep their lands; that was to their interest. Lamicoine gave profuse thanks for the great care I had had of his brother. It was from the old man whom I had brought with me that he had learned he would never see him more, begging me to assure you of his gratitude; that whilst he lived he would not forget the good you had done to his brother; that it would be for him and his to be always attached to the French; that my return had brought joy to all; that their joy would not be long continued, as according to what his brother had told him, I was going to winter a long way off; that he prayed me not to abandon them; if I wished to go far away from them to leave one of my children; that he wished it was in his power to follow me; that he would do so heartily; that his brother and his nephew who expected to follow me, would take his place. I encouraged them to keep their word and to hunt well to supply the wants of their families; that I was going further on; that was your will; I wished to increase the number of your children; that I left my eldest son with them in my place, who was adopted by the nations and would inform them of your words. The council ended with many thanks. I then thought of preparing to leave; had my son received as commandant in my absence, and had an order published. Taking the two others with me, I deferred leaving until the 11th of September, waiting for Mr. Lamarque, to whom I had promised not to hasten, so as to give him the opportunity of joining me, he having promised me at Michilimakinak to make haste, so that he might come with me in the autumn for the discovery of the Mandans, who were formerly called Ouachipouanne, according to the Monsony, Courtchouatte, Crees, Mandans: these are the names of the nation. Seeing on the 10th of the month that he had not arrived, and everything being in good order, as well at the fort as for my departure, I left on the 11th, as I have already stated, hoping that he would join me soon to come with me. I arrived at Fort Marpas [Maurepas] on the 22nd, where I had the arms examined, published

je trouvés dix cabanes de Crix deux chefs de guerre, qui m'atendoit avec bien des viandes ayant été averty que je venois, il me prie de leur accorder un séjour pour avoir le plaisir de nous voir et nous donner a manger, je leurs accordé estant bien aise de leur parler, je fis venir les deux chefs a ma tante, je sauois qu'il aloit tous les ans aux Englois, que l'on m'auoit raporté qu'il y en auoit un qui auoit receu vn collier des Englois avec un present pour jouer un mauvais tour aux françois, je dis a celuy que l'on m'auoit accusée tout ce qui m'auoit esté dit de luy, j'ay eu l'honneur de vous en escrire l'année derniere de michilimakina, des bruits qui couroit a ce sujet, il me respondit mon père, je say que j'ay beaucoup denuieux qui parle contre moy, je n'ai point esté aux Englois il y a plus de six ans, jay envoyés à la vérité ces dernières année que les françois nous a abandonnés il nous faloit avoir nos besoins, demande a ceux qui ont esté pour moy que voila icy sil ont entendue parler de quelque chose d'aprouchant, je te peus assurer que l'Englois est tranquile et ne nous parle point du françois, Ce sont des menteurs qui ont fait courir ces bruits là, tu en conoitera la vérité par la suite tant que le françois tiendra icy nos terres, nous te promettons de ne point alér ailleurs. Je leurs fis un petit present pour les encouragér à tenir leurs paroles, je leurs fis le recit de tout ce que j'auois dit a tous les autres tant de uos ordres que des nouvelles, nôtre vieux leurs fit ensuite vn grand recit de son voyage ce qui leur fit bien plaisir, le Chef que j'auois acusée me dit mon père nous te remercions de ce que tu as bien parlé la bas a notre pere pour nous, nous conoissons aujourd'huy qu'il à pitié de nous en nous envoyant des françois sur nos terres pour nous apporter nos besoins, nous nous tiendrons tranquiles comme il le souhaite, les Sioux en fasse de même, nous auons toujours le cœur malade de ton fils, qui est venu le premier batis un fort sur nos terres, nous laymions beaucoup, jay deja esté vne fois en guerre pour le venger, je nay desfait que dix cabanes qui n'est pas suffisant pour nous contenter mais aujourduy nostre pere nous ordonne [de] nous tenir tranquile, nous le ferons, il me demanda ensuite ou je prétendois alé, que la rivière des assiliboilles estoit fort basse, nous courions grand risque de mettre nos canots or de service [que] nous alions ché des gens qui ne sauoit point tuer le castor, ne [se] couuroit que de peaux de beuf ce qui ne nous faloit point, Cestoit gens sans esprit qui nauoit jamais ueü de françois, et ne le pouroit connoitre, je luy respondis que je voulois alér dans l'otonne chez cette nations de blancs, dont l'on manoit tant parlée que je monteroie la rivière plus que je pourrois pour me mettre a portée de faire mon voyage selon uos ordres et que je uoulois augmenter le nombre de uos enfants, aprendre a chasser aux assiliboilles et leurs donner de l'esprit, que l'année prochaine j'yrois d'un autre bord, tu risque beaucoup mon pere que les canots ne sorte a laige, il y a beaucoup d'assiliboilles cest vray il ne save point la chasse du castor, je souhaite que tu leurs donne de l'esprit, je partis le 26. monuieux me demanda arestér quelque jours avec les Crix qui Luy demandoit avec grande instance qu'il me rejoindroit en peu.—Comme il auoit sa voiture j'y consenty volontier et luy recommandés de bien encouragée ces gens la a bien chasser, porter des uiures aux fort françois et a tenir la parole qu'il manoit donnée, de ne point alér aux Englois, il me dit qu'il leurs parleroit de son mieux, qu'il esperoit que je serois content, je trouvée les eaux fort basses l'estée s'est passer sans pluye, la rivière uient de l'ouest, serpente, beaucoup large et grand courant beaucoup de batares elle est bordée d'un beau bois sur ces bords et prairies a perte de vue dans les profondeurs, ou il y a beaucoup de beuf et serf, je pris le partis d'allér par terre, a suiure les prairie avec le monde inutile dans les canots, Le chemin est bien plus cour par les prairies, l'on Coupe plusieurs pointes de la riuière à la fois, l'on peut tenir un chemin droit, le gibier est le long de la rivière en grande abondance, je ne marché pas longtemps sans rencontrer des assiliboilles qui auoit été auerty que je montois dans leurs rivière venoit au deuant de moy, je poursuiuy toujours mon chemin remettant a leurs parler sur leurs terres, la Compagnie augmentoit tous les jours, je marchois six jours en employant bien le temps; Le 2 d'octobre au soir les sauvages m'auertire que je ne pouuois monter plus loin la rivière trop basse que mes canots ne pouuoit passer le bois que pour la portée de tout le monde estant au portage qui va au Lac des prairies car c'est le chemin des assiliboilles pour allér aux Englois, tu arestera tout le monde estant icy, tu veux alér ché les mantannes te voila à la portée du chemin, je consulté

your orders concerning the said post, gave a copy of it to Mr. Larivière, clerk to these gentlemen, and selected five of his men to come with me. As I had agreed, I left nine men with Mr. de Larivière. I went to the fork of the Assiniboies (Assiniboine) on the 24th, where I found ten Cree huts and two war chiefs, who expected me, with a quantity of meat, having been notified that I was coming. They begged me to agree to remain, to have the pleasure of seeing us and of giving us something to eat. I agreed, being happy to speak to them. I sent for the two chiefs to my tent. I knew that they went every year to the English; it had been reported to me that there was one who had received a belt from the English to play a bad trick on the French. I told the one who had been accused everything that had been said of him. I had the honour of writing to you last year from Michilimakinak; of the rumours current on the subject. He answered: My father, I know there are many envious men who speak against me; I have not been to the English for more than six years. I sent, indeed, during the last years that the French abandoned us, and it was necessary to have our wants supplied. Ask those who have been on my account, who are here, if they have heard of any such accusation. I can assure thee the Englishman is quiet and does not speak of the French. They are liars who have set these rumours afloat. Thou wilt know the truth in time. So long as the French shall hold our lands here, we promise thee not to go elsewhere. I made them a small present to encourage them to keep their word; I told them everything I had said to the others, as well your orders as the news. Our old man then gave a great account of his journey, which afforded them much pleasure. The chief whom I had accused said to me: My father, we thank thee that thou hast spoken well below to our father for us; we now know that he has had pity on us by sending to us Frenchmen on our lands to supply our wants; we will keep quiet as he desires; the Sioux should do the same; our hearts are still sick for thy son who came the first to build a fort on our lands; we loved him much; I have once already been at war to avenge him; I have destroyed only ten huts, which is not enough to satisfy us; but now our father has ordered us to keep quiet; we shall do so. He then asked me where I intended to go; that the River Assiniboine was very low; that we ran the risk of making our canoes useless; that we were going among people who did not know how to kill the beaver, and covered themselves only with ox skin, which we did not need. They were a people without intelligence, who had never seen the French and could not know them. I answered that I wished to go in the autumn among that nation of whites who had been so much spoken of; that I would ascend the river as far as I could to put myself in a position to make my journey according to our orders; that I wished to increase the number of our children to learn to hunt on the Assiniboine and to give them intellect, and that next year I would go elsewhere. Thou dost run a great risk, my father, that the canoes will leave empty. There are many Assiniboines, it is true, but they do not know how to hunt beavers; I wish that thou shouldst give them intelligence. I left on the 26th. My old man asked me to remain a few days with the Crees, who urgently asked him to remain with them and that he would rejoin me shortly. As he had his vehicle I consented willingly, and recommended him to encourage these people to hunt well, to carry provisions to the French forts and to keep their word not to go to the English. He told me that he would speak to them as well as he could, and that he hoped I would be satisfied. I found the water very low, there having been no rain last summer. The river flows from the west, winding about greatly, wide, with a strong current and many sand bars; it is lined with fine woods on the banks and the prairies extend beyond sight, through whose extent are many cattle and deer. I chose to go by land, following the prairie; with the useless people in the canoes. The road is much shorter by the prairies; several points of the river are cut at once, and a straight road can be kept; game is along the river in great abundance. I had not marched long without meeting several Assiniboines who, having been warned that I was ascending their river, came to meet me. I still kept on my road, deferring to speak to them on their own lands. The company was increasing daily. I marched six days, making good use of the time. On the evening of the 2nd of

sur ce que nous devions faire, nous content environ a soixante Lieues de la fourche par eau et par terre trente cinq a quarante, a prendre les prairies, tous se trouvere voyant que nous ne pouvions passer outre et que nous courions grand risque de mettre nos Canots hors d'état de pouvoir sortir estant dans vn endroit sans ressource dans l'endroit pour les accommoder, n'ayant ny gomme ny rasines, qu'il estoit plus a propos de rester dans un endroit ou il y avoit beau a bastir, et qui estoit le chemin pour aler aux Anglois, que nous avions lieu d'esperer bien du monde, et tous gens qui certainement ne vont point au fort de morpas je me desterminée le 3 au matin à choisir un endroit avantageux pour y batir un fort, que je fis commencer sur le champ, jesperois toujours que Mr de lamarque me viendroit joindre, si j'eusse monté plus haut il n'auroit peu me venir trouver, je parlés aux assiliboilles pendant que lon batissait a force, jé les assemblé tout près de ma tante, leurs fis un present de vostre part, en poudre, balles, tabac, aches, couteaux tranches, aleines, le tout bien estimé parmi eux qui sont en grande nécessité de tout, Il me receure en grande cérémonie bien de pleurs pour témoignage de leurs joye pour leurs peine, je les receus au nombre de vos enfants, leurs fesant ensuite un ample instruction de vos ordres repetant a plusieurs fois enfin quil le puisse concevoir, cela parût leur faire un grand plaisir. il me firent de grand remerciement, en promettant des merveilles, je leurs recommandés de faire savoir aux assiliboilles de la Rivière rouge quil y auoit des françois chés eux, que les françois ne les abandonneroit point tant qu'il auoit de lesprit il devoit conoitre la bonté que nous auiés pour eux et leur enuoyant leurs besoins de si loing, que leurs parent, le vieux que j'auois menés avec moy leurs pouuoit dire ce qui en estoit ariué a nous du jour, il nespargnoit rien a la verité pour les bien instruire et leurs aprendre ce qui en est d'avoir a faire aux françois, tout finit par des grands pleurs et remerciements, quelques jours apres je m'assuré d'un guide que je payé avec dautres pour maccompagner a ma descouverte et me porter de lequipage, le neuf au soir Mr de Lamarque avec le Sr Nolant son frere, huit hommes en deux canots ariuerent à nous, ce qui me fit beaucoup de plaisir, j'en temoigné ma reconnoissance à M. de lamarque de la peine qu'il auoit bien voulu prendre de nous amener du renfort, je m'informée de luy s'il auoit laissé bien du monde aux fort St. Charles lac des bois, et ce qu'il auoit laissé au [fort] morpas, il me repondit qu'il auoit laissé huit hommes aux premiers avec deux tresteurs, ayant amené tout ce qu'il y auoit [de] canots nesperant pas pour cela les pouvoir chercher [charger?] n'ayant pû apporter grand marchandises qu'il m'auoit promis de me venir joindre il nauoit pas voulu me manquer de parole, que j'auois besoin de monde pour ma descouverte qu'il m'en amenoit et cela sans luy faire de tord n'ayant pas besoin de son monde pendant le cour de luyér. Je le remercié en luy disant que sil ne gagnait [joignait] dans notre Des Cou [verte] il auoit toujours pour éparné luy et tout son monde des frays jusquaux retour, Il me dit qu'il vouloit entrer dans la depende je luy repondis, que cela ne seroit pas, Il me sufisait qu'il me fournît du monde et luyesme, sans qu'il fuse a besoin d'entrér dans la Despençe, que j'auois déjà mis a part, je luy doné une place a sa demande dans mon fort pour y batir une maison a logér tout [son] monde aux retour de notre voyage le 15e du mois le fort et les maisons estant acheuées, je songés a tout faire aprestre pour mon despart. Mr Delamarque me dit auoir amené M. de Louièrre à la fourche avec deux canots pour y batir un fort à la comodité des gens de la rivière rouge, je trouvé cela bon si les sauvages sont averty. Le 16, je fis battre la générale, pour passer tout le monde en reueü et détachée ce qu'il me faloit de monde pour ma descouverte, apres la reueü des armes je fis publier vos ordres de ce qui regarde le poste detaché vingt hommes, dix a Mr. delamarque et dix des miens je les auertis de se tenir prest pour la 18, leurs fis donner une liure de poudre, vingt balles à chaque, soullier, ache, chaudiere pour leurs utilité dans le voyage, donnai a chaque homme françois et sauvage vn sac de poudre de quatre liures soixante balles, deux brasses de tabac, quelque menuités de marchandises, plus pour leurs besoins que pour autres choses, comme aleines, pierres à fusil, tirbourres, battefeux, je fis metre dans vn sac de cuire ce que je voulois porter pour le present qu'une femme de notre guide me portoit et tout ce qui m'estoit utile pour mon particulier mon domestique

October the Indians notified me that I could not ascend the river further, the water being too low; that my canoes could only pass the woods, provided all the people were at the portage which goes to the Lake of the Prairies, for this is the road of the Assiniboines in going to the English. Being here thou wilt stop everyone; thou wouldest go to the Mandans; thou art close to the road. I consulted what we should do, believing that we were about sixty leagues from the fork by water and about thirty-five to forty by land, by taking the prairies. All present, seeing that we could not pass further and that we ran a great risk of damaging our canoes so that we could not leave, being in a place without resources for repairing them, having neither gum nor resin, felt that it was more suitable to remain in a place where there was plenty and which was on the road to go to the English, that we had reason to hope well of the people and all persons who certainly do not go to Fort Maurepas. I resolved on the morning of the 3rd to select an advantageous place to build a fort, which I made them begin immediately. I still hoped that M. de la Marque would come to join me. If I had gone higher up he would not have been able to find me. I spoke to the Assiniboines whilst they were building an oven. I assembled them near my tent, made them a present in your name, of powder, ball, tobacco, axes, knives, paring knives, awls, the whole much valued among those who are in great need of every thing. They received me with great ceremony; many with tears in testimony of their joy in exchange for their griefs. I received them among the number of your children, giving them afterwards full instructions respecting your orders, repeating them several times in order that they might comprehend. That appeared to give them great pleasure. They thanked me greatly, promised to do wonders. I recommended them to inform the Assiniboines of the Red River that there were Frenchmen among them; that the French would not abandon them; so long as they had intelligence they ought to know the kindness you had for them by sending them what they needed from such a distance; that their relative, the old man, whom I had brought with me, could tell them what had taken place with us daily. He, in truth, spared nothing to inform them and to teach them what it is to have to do with the French; all ended in great weeping and thanks. Some days after, I secured a guide whom, with others, I paid to accompany me on my search and to carry the baggage. On the evening of the 9th Mr. de la Marque with the Sieur Nolant, his brother, and eight men in two canoes arrived, which gave me much pleasure. I testified my gratitude to Mr. de la Marque for the trouble he had taken to bring us reinforcements; I questioned him if he had left many people at Fort St. Charles, Lake of the Woods, and whom he had left at [Fort] Maurepas. He answered me that he had left eight men at the first with two traders, having brought all the canoes he had, not because he hoped to be able to load them, not having been able to bring the heavy goods, but that he had promised he would join me, and did not wish to break his word, that I required people for my expedition, that he had brought them, without injury to himself, not requiring his people during the winter. I thanked him telling him that if he joined in our expedition he would be saved, himself and all his people, the expense until they returned. He told me he wished to share the expense. I answered that that could not be, it was enough for me that he supplied the men and himself without the necessity of sharing the expense which I had already provided for. I gave him room, at his request, in my fort to build a house to lodge all his people. On the return from our journey on the 15th of the month, the fort and houses being completed, I thought of making everything ready for our departure. Mr. de la Marque told me he had brought Mr. de Louvière to the Fork with two canoes to build a fort there for the accommodation of the people of the Red River. I approved of it, if the Indians were notified. On the 16th I had the drum beat to arms, to pass every one in review and to select such as were necessary for my expedition. After the inspection of the arms, I published your orders regarding the post; I selected twenty men, ten of Mr. la Marque's and ten of mine. I warned them to keep themselves in readiness for the 18th, gave them a pound of powder and twenty balls each, shoes, an axe, a kettle to be used on the journey; gave to each man, French and Indian, a bag of powder, sixty balls, two

et mon esclave le portoit, cela distribué, je fis recevoir Sanschagrin homme d'esprit sage et prudent qui me fait la fonction de sergent, commandant à mon absence menant mes deux enfans avec moy, luy laissant deux soldats et dix engagés pour la garde du fort, luy donné ensuite l'ordre et instruction par écrit de tout ce qu'il auoit à faire pendant mon absence, le 18 tout étant en bon ordre dans le fort, je fis partir tout notre monde avec ordre d'aller camper proche et partis ensuite avec Mr. delamarque sur le midy, en encourageant les sauvages que je lessois aux fort de chasser aux beuf le castor n'estant pas encore bon, pour fournir des viures aux françois que je lessois nôtre petite bande consistoit à 52 personnes vingt engagés tous bons hommes Mr de la marque son frere, mes deux enfans, mon domestique un esclave, le reste sauvages. Le troisieme jour de notre depart, un vilage de quarante cabannes assiliboilles. nous joignirent à dessein de me parler. Le chef me demanda de vouloir bien luy acorder la journée pour avoir le plaisir de nous voir et nous donner à manger, je lui acordée à la sollicitation de notre guide, je fis un petit present au chef de poudre et luy fit tout le recit que j'avois fait à tous les autres. Il me temoigna beaucoup de reconnaissance, en promettant bien des meruelles, qu'il aloit porter des viures aux françois et chasseroit de leur mieux, enfin d'avoir leurs besoins. Le 21 nous continuames nostre route jusqua la premiere montagne eloignée de nostre fort de vingt six lieues toujours au sud quard de sud ouest de la premiere montagne a la seconde à ouést quard nor ouést 24 lieues, de la pointe de la seconde montagne, a alér chez les mantannes en droiture il faut tenir le sud ouést quard ouést, il sen faloit de beaucoup que nous ne fime de chemin droit pour deux lieues en droiture, nous en fesiens de trois et quatre de nostre fort, il peut y avoir cent vingt lieues, a ouést sud ouést, que nostre guide nous a bien augmenté de plus de cinquante a soixante lieues, et nombre de sejour auquel il nous faloit consentir malgré nous, nous fesant passer le plus beau temps de l'automne en sejour, nous auons mis quarante six jours a nous rendre, que nous aurions bien fait en saise ou vingt jours au plus, Il nous faloit prendre patience par force, tout ce que je pouvois dire a nôtre guide pour le faire diligenter ne seroit de rien, Il nous fit faire pour comble de bonheur vingt deux lieues de chemin qui nous éloignoit de nôtre route, pour joindre un vilage de cent deux cabanes qu'il auoit esté découvrir et nous auoit amenés huit hommes, que les Chefs du vilage m'envoyoit pour me prier de les aller joindre qu'il estoit tous dans le sentiment de macompagner chés les mantannes, me faisant dire que les Sioux frequentoit souvent par la et que j'avois besoin descorte, il fallut bien se resoudre a y alér nous y ariames le 18e de novembre, sur l'après midi, il estoit venu nombre de couriés au devant de nous, nous [y] fumes receu avec grande joye l'on nous conduisit, M. de lamarque, son frere, et mes enfans dans une cabane d'un jeune Chef ou tout estoit prêt pour nous recevoir, l'on nous fit grand chaire et a tout nostre monde qui ne manquoit point de bon apety. Le 19. je fis rassembler les chefs et principaux du vilage dans la cabane ou j'estois, je leur donés un present de uostre part en poudre, balles, couteaux et tabac, en leurs disant que je les recevois au nombre de vos enfans, que s'il auoit de l'esprit que vous leurs prometieés de ne les point abandonné que les françois estoit aujourdhuy establie sur leurs terres et leurs fourniroit tous leurs besoins qui leurs faloit chasser au Castor et bien garder leurs terres que vous ne vouliez point de guerre pour le présent voulant aplanir toutes les terres que tous nos enfans puisse vivre tranquile, dont jaugmentois le nombre tous les jours je leurs fis le récit que j'avois fait à tous les autres, ce fut grand remerciement par bien de pleurs et ceremonie, en passant leurs mains sur ma teste me prenant à vôte lieu et place [pour] leur père et nos françois pour frere, en passant les mains sur la teste a tous en pleurant, cette ceremonie faite larenqueur [harangueur] me dit nous te remercions mon pere d'auoir bien voulu te donnée la peine de venir à nous, nous allons tous tacompagner aux mantannes et te ramener a ton fort, nous auons envoyés quatre hommes les auertir, qui vien[nent] darivér, raporte que les mantannes sont en grande réjouissance de [ta] venue chez eux et doit venir au devant de toy. Nous auons ren[uoyé] quatre autres jeunes gens, pour les amener aux lieux que nous leur auons marqué, nous alons nous y rendre tout doucement en chassant, enfin d'avoir des graisses en arrivant la pour manger avec leurs grains qu'il mange toujours beaux, nayant pour le plus souvent ny viande, ny graisse, Je les

fathoms of tobacco; some small wares, more for present necessities than for any thing else, as awls, gun-flints, gun screws and steels. I had put into a leather bag what I wanted for present use, that a wife of our guide carried for me, and all that was of use for myself, my servant and my slave carried. That settled, I had Sanschagrin received as commander in my absence, as a man of wise and prudent mind, who fills the office of sergeant. Taking my two children with me, I left him two soldiers and ten hired men as a guard for the fort, and then gave him orders and instructions in writing of all he was to do during my absence. On the 18th, all being in good order in the fort, I made all our people set out, with orders to encamp not far off, and afterwards to leave with Mr. de la Marque about noon, encouraging the Indians whom I left at the fort to hunt cattle, the beaver not being yet good, to furnish provisions to the French whom I left. Our small band consisted of 52 persons, twenty hired men, all good men, Mr. de la Marque, his brother, my two children, my servant and a slave, the rest Indians. The third day after leaving, a village of forty Assiniboine huts joined us, with the intention of speaking to me. The chief asked me to grant him the favour of remaining for the day, to have the pleasure of seeing us and of showing their hospitality. I agreed, on the solicitation of our guide. I made him a small present of powder, and made the same statement to him as I had done to all the others. He testified much gratitude, promising wonders; that he would carry provisions to the French, and would hunt to the utmost, so as to supply their wants. On the 21st we continued our route, as far as the first mountain, twenty-six leagues distant from our fort, still to the south by south-west; from the first mountain to the second west and by north-west, 24 leagues. From the point of the second mountain to go direct to the Mandans we must keep to the south-west. But we were obliged to do much more, as on a road which is two leagues in a straight line, we made three or four from our fort. It may have been a hundred and twenty leagues to the west south-west that our guide lengthened the road by from fifty to sixty leagues and a number of stops to which we were obliged to agree, making us spend the finest weather in autumn staying still, so that we took forty-six days to go a distance we should have done easily in sixteen or twenty days at the most. We had, perforce, to have patience; all that I could say to our guide to make him hasten was to no purpose. He made us take for the height of happiness twenty-two leagues of a road which was taking us off our route, to get to a village of a hundred and two huts which he had gone to look for, and had brought us eight men, whom the chiefs of the village had sent to beg me to join them, that they were all inclined to accompany me to the Mandans, telling me that the Sioux often visited in that direction and that I had need of an escort. We had to make up our minds to go there. We arrived there on the 18th November, in the afternoon. A number of messengers had gone before us and we were received with great joy. They led us, Mr. de la Marque, his brother and my children, into the hut of a young chief, where every one was ready to receive us. They made a great feast for us and for all our people, who did not want for a good appetite. On the 19th I assembled the chiefs and head men of the village in the hut where I was, I gave them a present in your name of powder, balls, knives and tobacco telling them that I received them into the number of your children; that if they had sense you promised not to abandon them; that the French were now established on their lands and would provide for all their wants; that they must hunt the beaver and keep to their lands; that you did not wish for war at present, desiring to make all the lands smooth, so that all our children might live in peace, of whom I would increase the number every day. I made the same recital to them that I had made to all the others. There was great thankfulness, with many tears and ceremonies, by passing their hands over my head, taking me in your room and place as their father; and our Frenchmen as brothers by again passing the hands over our heads, all weeping. This ceremony ended, the orator said: We thank thee, my father, for so willingly taking the trouble to come to us; we are all going in thy company to the Mandans to bring thee to thy fort; we have sent four men to warn them who are about to arrive who report that the Mandans are greatly rejoicing at thy coming

remercie de leur bonne volonté et les encouragés à nous rendre promptement qu'il voyoit aussi bien que moy la saison fort avancée, sachant que les mantannes nestoit pas prouisionnés de graisses j'en fis acheter dans le vilage en donnée a tout nôtre monde a porter ce qu'il en voult, et en fit porter pour nous par les sauvages, que je paye pour cela, j'auerty nos françois que j'estois dans le dessein de passer une partie de l'yer chés les mantannes qu'il nesitasse point de se bien charger de graisse, sinon qu'il mangeroit leurs ble et fêles a leaux, le 20. tout le vilage se mit en marche pour se rendre, à 17 lieues ou il auoit marquée le rendés uous aux mantannes, tout les jours lon ne nous entretenoit, de blanc que nous alions voir françois comme nous qui se disoit desendant de nous, tout ce que lon nous disoit nous donnoit bonne esperance de faire une descouuerte qui merita atention, M. de lamarque et moy, le long du chemin nous nous fesions des projets sur tout ce que nous attendions dire, croyant ueritable, dont nous avons bien eu a disconter, je fis remarquer à M^r de lamarque le bon ordre avec lequel les assiliboilles marche pour preuenir toutes surprises marchant toujours dans des prairies, de caute et valons depuis la première montagne, ce qui ne lesse pas d'estre de fatigue a marcher, monter et descendre fort souvent dans la journée, Il y a des plaines magnifiques de trois et quatre Lieües, La marche des vilages assiliboilles, surtout quand il sont nombreux est en trois colonnes des descouvreurs de vend sur les elles à une bonne arriere garde, les vieillards et estropiés marche dans celle du milieux qui est le centre. Je fesois tenir tout les françois ensemble autant que faire se pouuoit. Si les descouvreurs apercoive sur la route des bandes de beufs comme il arrive souvent, le crix se fait qui est bientost rendu à larriere garde, tout ce qu'il y a d'hommes dans les colonnes des plus alerte, joigne la vendgarde, pour cerner les bestes, dont ils en tue nombre, chacun prend de la viande ce qu'il en veut. Puisque cela areste la marche, lavant garde marque le campement il n'y a point a passer outre, les femmes et les chiens porte tout Lequipages, les hommes ne sont chargés que de leurs armes, ils font porter a leurs chiens souvent jusques aux bois pour faire du feux estant obligée souvent de camper en plaine prairie, les iles de bois sont de loing a loing, le 28. nous ariuames au matin a Lendroit marqué du rendé vous pour les mantannes, qui arriuere sur le soir, vn chef avec trente hommes et les quatre assiliboilles, le Chef apres auoir consideré quelques temps de dessus une hauteur la grandeur de nostre uilage, qui ne leassoit pas que de paroistre, je fis conduire dans la cabane ou j'estois ou lon auoit preparé une place pour le receuoir dans un Costé de la Cabanne, il se vint placer près de moy quelqu'un de ses gens ensuite de luy, me presenta un present de blé d'inde en espie et de leur tabac en endotille qui uest pas bon ne sachant pas l'acomoder comme nous, il est bien comme le nostre, avec cette différence qui ne le plante point et le coupe verd, mettant tout a profit, coton et les feuilles ensemble, je luy en donné du mien, qu'il trouua bien bon, javoué que je fus surpris, mattendant a voir des gens differents des autres sauuages, surtout le recit que l'on nous en auoit fait il ny a point de difference d'avec les assiliboilles nue couerd seulement d'une robe Je beuf, porté négligemment sans brayet, je conus des lors que nous auions bien a desconter de tout ce qui nous en auoit esté dit le chef me parla en assiliboile me témoignant la joye que je donnois a toutes leurs nations, de mon arriuee ches eux qu'il me prioit de les accepter du nombre de uos enfans, quil vouloit par la suite ne faire quun avec nous, que je pouois disposer de tout ce qu'il auoit qu'il me prioit de rester a son fort qui estoit le plus près plus petit que tous les autres, mais bien muny de viures, quil estoit six fort a la même nations, quil estoit le seul un peu eloigné de la riuière me dit auoir receu deux colliers de moy, que lon me feroit voir en ariuant qu'on auoit toujours esperés me voir, je le remerciés de toutes ses honnestetés et offres, luy disant que je venois de bien loing pour faire amitié avec eux, que je leurs parlerois si tost que je serois arriué à leurs fort, il nous joua sur le champ une marote, ayant consideré notre uilage en arivant comme jay marqué, jugent quil y auoit bien du monde si tout cela ariuoit a son fort, quil faloit faire une grande consommation de grains, leurs maniere estant de nourir gratuitement tous ceux qui vont chés eux, ne vende le grain que pour emportér il fit de grand remerciements aux assiliboilles de leurs avoir amenés le françois chez eux, quil ne pouvoit

amongst them and are to come to meet thee. We have sent other four young men to bring them to the place we have selected for them; we will go quietly to the hunting to have fat on arriving there, to eat with the grain of which they always eat much, having seldom either meat or fat. I thanked them for their good will, and encouraged them to send us on quickly; that they could see as well as I, the very advanced season. Knowing that the Mandans had no supplies of fat, I purchased it in the village to give to all our people whatever they would carry, and made the Indians carry for us, for which I paid them; I warned our Frenchmen that I intended to spend part of the winter among the Mandans; that if they did not take a good load of fat, they must eat their wheat and beans with water. On the 20th, the whole village set out on the march to go the seventeen leagues where the meeting place for the Mandans had been chosen; every day they entertained us with the tale that the whites we were going to see were Frenchmen like ourselves, who said they were our descendants. All they told us gave us good hope of making a discovery which would deserve attention. Mr. de la Marque and I made plans along the road from what they were telling us, believing that to be true, from which we had to deduct much. I observed to Mr. de la Marque the good order in which the Assiniboines march to prevent surprise, marching always on the prairies, the hillsides and valleys from the first mountain, which did not make them fatigued by mounting and descending often in their march during the day. There are magnificent plains of three or four leagues. The march of the Assiniboines, especially when they are numerous, is in three columns, having skirmishers in front, with a good rear guard, the old and lame march in the middle, forming the central column. I kept all the French together as much as possible. If the skirmishers' discovered herds of cattle on the road, as often happens, they raise a cry which is soon returned by the rear guard, and all the most active men in the columns join the vanguard to hem in the cattle, of which they secure a number, and each takes what flesh he wants. Since that stops the march, the vanguard marks out the encampment which is not to be passed; the women and dogs carry all the baggage, the men are burdened only with their arms; they make the dogs even carry wood to make the fires, being often obliged to encamp in the open prairie, from which the clumps of wood may be at a great distance. On the morning of the 28th, we arrived at the place selected for the meeting with the Mandans, who arrived towards evening—a chief, with thirty men and the four Assiniboines. The chief, after having from the top of a height considered for some time the extent of our village, which appeared of a good size, I had him brought to the hut where I was, where a place had been prepared to receive him on one side of it. He came and placed himself near me; one of his people then, on his part, presented me with a gift of Indian corn in the ear, and of their tobacco in rolls, which is not good, as they do not know how to cure it like us. It is very like ours, with this difference, that it is not cultivated and is cut green, everything being turned to account, the stalks and the leaves together. I gave him some of mine, which he thought very good. I acknowledged that I was surprised, expecting to see different people from the other Indians, especially after the account given me. There is no difference from the Assiniboines; they are naked, covered only with a buffalo robe, worn carelessly without breech clout. I knew from that time that we had to make an allowance for all we had been told. The chief spoke to me in Assiniboine, testifying the joy which I had given to all their nation by my arrival among them; that he begged me to accept them among the number of your children; that he wished afterwards to have to do only with us; that I might dispose of all he had; that he begged me to remain at his fort, that it was the nearest and smaller than the others, but well supplied with provisions; that there were six forts belonging to the same nation; that it was the only one not far from the river. He told me he had received two belts from me; that they had been shown to me on my arrival as they had always hoped to see me. I thanked him for all his civilities and offers, telling him that I had come from a long distance to form a friendship with them, and that I would speak to them so soon as I should have arrived at their

arriver plus a propos, que les sioux ne devoit pas tarder a arriuer chés eux ayant été avertis, me priant comme les assiliboilles vouloir bien leurs donner secours esperant beaucoup de nostre valeur et courage, je donné, dans le panneaux comme les assiliboilles, avec cette difference, que l'assiliboille demeura interdit, et moy je men rejois croyant trouver l'occasion de me venger de cette maudite nation, je luy promis que s'il venoit pendant que nous serions chés eux, tout secours de moy et tous nos françois, il me remercia, on le vint chercher pour le mener en festin, et le quesquioné au sujet des Sioux l'assiliboille nombreux, hommes fort et robustes, ne sont pas braves il craignent beaucoup les Sioux quil pense plus brave, les mantannes connoissent leurs faible et en profite dans Locasion, Le Conseil se teint pour Deliberer sur ce qu'il devoit faire, la plus forte voix estoit qu'il ne fa[loit] passer outre de m'avertir du risque que jalois courir si je voulois poursuivre un vieillard se lea fortement, ne pensées pas que nôtre pere est lache, je le connois mieux que vous autres, jay toujours esté avec Luy depuis quil est parti de son fort, ne croyés pas que les Sioux soit capable de les pouvanter, ny tout son monde que pencera-t-il de nous, il a alongé son chemin pour nous venir joindre en accordant a notre demande pour l'accompagner chés les mantannes et le reconduire a son fort, il seroit rendue aujourdhuyl sil ne nous auoit point écouté et vous penceriez labandonné en le lessant alér seul ce qui ne sera pas si vous apreendés les Sioux laissons nôtre vilage icy, jusque aux retour, tout ce qu'il y a d'hommes capables de marcher suive nostre pere, tout acorder au sentiment du vieillard il fut décidé quil ne resteroit que peu de monde pour garder les femmes, tout le reste maccompagneroit, lon mauertis du résultat du Conseil, la harangue se fit partout le vilage pour en avertir un chacun a se tenir prest a marcher le surlendemain 30. du mois donnant un sejour aux mantannes qui en sure bien profiter, pour trafiquer les grains, tabac, poilles et plumes peintes quil save que les assiliboilles estime beaucoup qui leurs auoit apportés et tiré en eschange fusille, ache, chodiére, poudre, balles, couteaux, aleines, ils sont bien plus rusés que les assiliboilles dans leurs commerce et en tous les autres estant toujours leurs dupe nous partimes le 30 au matin environ six cents hommes, plusieurs femmes sans enfans des meilleures jambes, la troisieme journée au soir de nostre marche, environ sept lieus du premier fort des Mantannes, l'on mauertit qu'un assiliboille auoit pris le sac de mon esclave dans le chemin sous pre-
 texte de soulagement, estoit retourné au vilage, ma boîte ou estoit mes papiers et bien de choses a mon utilité dedans le sac, je loués sur le champ deux jeunes gens pour courir après que je payés leurs faisant promettre de me raporter le sac chez les Man-
 tannes, ou je les atenderois, ils partire dans la nuit, rejoignirent le fripon qui estoit deja decampée du vilage, lui fire rendre tout et revinre a leurs vilage garder le tout, esperant me rendre a mon retour, n'ozant point me venir trouver craignant les Sioux, je me vis privée de bien des choses qui m'estoit journellement fort utiles—Laranqueur auerty qu'il faloit partir devant quatre heures du matin enfin dariver de bon heure au fort, je trouée a une lieuë et demy sur le midy près d'une petite riviere bien du monde qui estoit uenue au devant de nous, auoit allumée du feux a nous attendant et auoit apportés du petit blé cuit et farine grolée en pate avec de la sitrotuille pour nous donner a manger a tous, deux chef, mauoit preparé une place p:ès du feu, me presentere dabord a ma[nger] et a fumer, Mr de lamarque arriva peu de temps après moy—je priai de se mestre a costé et de manger en se reposant, nous reestames bien deux heures a nous reposér—l'on m'averty qu'il estoit temps de nous rendre, je fis prendre le pavillon peint aux armes de france a un de mes enfans pour marchér a la teste, ordre aux françois de suivre par ordre, le Sr nolant soulagent mon fils portant le pavillon chacun leurs tour, les mantannes ne voulurent pas me laissé marchér, sofrire a me portér, il me fallut bien consentir en estant priés par les assiliboilles me disent que je leurs ferois un grand desplaisir si je les refusois.

A quatre arpent du fort, sur une petite hauteur, une partie des anciens du fort accompagné dun grand nombre de jeunes gens matendoit pour me presenter le calumet et me faire voir les deux collier que je leur auoit envoyé il y a quatre ou cinq ans, l'on me donna un siege et a m^r de lamarque, je receu leurs compliments qui se consistoit que a la joye qu'il resentoit de nostre arrivée, jordonné a mon fils le cheva-

fort. He immediately played us a trick ; having examined our village on his arrival, as I have stated, judging that there would be many people, and if they all came to his fort, there must be a great consumption of grain, their custom being to feed liberally all who came among them, selling only what was to be taken away, he gave many thanks to the Assiniboines for having brought the French among them ; that it could not have happened more opportunely ; that the Sioux would not be long of arriving among them, having been warned, begging me, like the Assiniboines, to assist them, hoping much from our valour and courage. I was entrapped like the Assiniboines, with this difference, that the Assiniboines stood confounded, whilst I rejoiced, believing that I had found an opportunity to be avenged on that accursed nation. I promised him every assistance from myself and our Frenchmen should they come whilst we were with them, for which he thanked me. He was sent for to come to the feast and questioned respecting the Sioux. The Assiniboines, numerous, strong and robust men, are not brave ; they greatly fear the Sioux, whom they think to be braver. The Mandans know their weakness and profit by it, an opportunity arises. The council was held to discuss what should be done. The most decided opinion was that it was not necessary to go further than to warn me of the risk I was about to run if I wished to pursue our course. An old man rose firmly : Do not think that our father is a coward ; I know him better than the others do ; I have been with him ever since he left his fort ; do not believe that the Sioux can frighten him or any of his people. What will he think of us ? He has lengthened his road to join us, agreeing to our wish for his company among the Mandans and to bring him back to his fort. He would have gone to-day if he had not listened to us, and you would think of abandoning him by letting him go alone, which cannot be. If we fear the Sioux let us leave our village here till our return ; let every man able to march follow our father. All agreed in the old man's opinion ; it was decided that only a few should remain to protect the women ; all the rest would accompany me. I was notified of the result of the council ; word was sent throughout the village to warn every one to be ready to march the day after to-morrow, the 30th of the month, thus making a little longer delay among the Mandans, who knew how to profit by it by the sale of their grain, tobacco, peltry and painted plumes, which they know the Assiniboines greatly value, who had brought and now gave in exchange muskets, axes, kettles, powder, balls, knives and awls. They are much craftier in trade than the Assiniboines and others, who are constantly their dupes. We left on the morning of the 30th, about 600 men, several women without children, the best walkers. On the evening of the third day of our march, about seven leagues from the first fort of the Mandans, I was informed that an Assiniboine had taken the bag from my slave on the road, under pretext of relieving him, and had returned to the village. My box, in which were my papers, and many things of use to me, were in the bag. I immediately engaged two young men to run after him, whom I paid, making them promise to bring the bag to the Mandans, where I would wait for them. They set out during the night, overtook the rascal, who had already decamped from the village, made him return everything and came back to their village to keep the whole, hoping to restore it to me on my return, not daring to come after me, being afraid of the Sioux. I saw myself deprived of many things which were of daily use. The orator gave notice that we must leave before four in the morning in order to arrive early at the fort. I found at a league and a half, about noon, near a small river, a number of people who had come to meet us had lighted fires, expecting us, and had brought coarse grain cooked and flour made into a paste, with pumpkins, to give all enough to eat. Two chiefs had made a place ready for me near the fire and presented me first with something to eat and to smoke. Mr. de la Marque arrived shortly after me. I asked him to sit near me and to eat whilst resting. We remained fully two hours resting. We were warned that it was time to go. I made one of my children take the flag painted with the arms of France, and march at the front ; and ordered the French to follow in ranks. The Sieur Nolant relieved my son in carrying the flag, each taking it in turn. The Mandans would not let me march, but offered to carry me, to which I had to consent, being requested by the Assiniboines, who told me I would displease them greatly if I refused.

lier de faire border la aix a tous nos francois, le paillon devant a quatre pas de distance, tous les assiliboilles qui auoit des fusils se mirent en Rang comme nos françois après les compliments faits, je fis saluer le fort de trois decharges, il estoit venue bien du monde audeuant de nous, Ce nestoit rien a comparaison de ce qu'il en paroisoit sur les rompard et le long des fossées—je marché en bon ordre aux fort ou jentré le 3 decembre a 4 heures apres-midy, escorté de tous les françois et assiliboilles, lon nous conduisit dans la cabane du premier chef, grande a la verité, mais pas assés pour tenir tout le monde qui y vouloit entré, la foule estoit si grande qu'il se portoit les uns sur les autres, assiliboilles et mantannes Il ny auoit que la place ou nous estions m^r de la marque, son frere et mes enfans, qu'il y auoit de libre, je demandés que lon fit sortir le grand monde pour débarasser nos francois et leurs faire mettre leur equipage dans un endroit de sureté, leurs disant quil auoit tout le temps de nous voir, lon fit sortir tout le monde, je my pris trop tard, lon nous auoit volé le sac de marchandises ou estoit tous mes presents par la grande faute d'un de nos engagés a qui je lauois donné a soing auant que d'arriver aux fort, il estoit dechargé en entrant dans la cabanne sans prendre garde au sac qu'il auoit mis contre luy dans la grande foule—je me trouvée un peu desrangé, ma boîte perdue, mon sac de present, qui nous estoit fort necessaire pour lendroit, il y auoit pour plus de trois cents liures dedans les assiliboilles parure fort peiné et fîre de grandes recherches sur lheure bien inutilement. Leurs fort est rempli de caves ou ils sont beaux a cacher le chef des mantannes me paroissent fort touché de ma perte, me dit pour ma consolation qu'il y avoit beaucoup de fripon parmi eux, il feroit son possible pour descouvrir quelque chose si jauois voulu me servir de l'offre des assiliboilles je l'aurois bien fait trouver en peu par la force, jaimés mieux perdre et passifier toutes choses voulant passer une partie de luyer ches eux pour prendre connoissance de plus loing, le 4. je fis assembler le principaux mantanne et assiliboilles dans la cabanne ou j'estois, je leurs fis mon present en poudre et balles, en leur disant que je ne pouuois leurs donner autres choses qu'il savoit tout ce que lon mauoit fait apporter pour donner en present, je leur desclarés que j'estois dans le sentiment de rester quelque temps pour prendre connoissance du pais selon nos ordres, ce que je ne pouuois faire dans un jour, les mantannes me temoignere la joye qu'il en auoit, en massurant que je ne deuois pas apreender de jeuner qu'ils auoit de vivres en reserve bien plus quil nous en faloit et que tout leur fort en étoit bien munie, j'en pouuois disposer étant maitre chez eux. Lancien des assiliboilles arengueur du vilage, me dit mon pere, nous tauions amenée icy, je ne doute pas que tu ny sois bien icy, nous nous flattions de te ramener a ton fort, tu es le maitre de faire ce que tu jugeras apropos, nous uiendrons te chercher, si tost que tu le souhaitera, parlant ensuite aux mantannes, nous nous lessons notre pere, ayés en grand soing et de tous les françois, aprenés a les conoitre, cest un esprit, il save tout faire, nous laymons et le craignons faites comme nous, nous partons bien peiné du vol qui a esté fait à nostre pere en entrant chez nous, que peut il penser de nous autres, nous ne pouuons disconvenir que cest une chose indigne, le françois nous vien voir et vous le volé, nous estes fort heureux que notre pere soit bon cela naurait pas passé de même, je ne crains pas de nous le dire il nous auroit bien fait trouver le sac sil auoit voulu, il est encore temps s'il le veut, je fis finir ce discours uoyant le vieillard qui commençoit a sechauffer, un des chefs mantannes respondit, ny moy, n'y mes gens nauons point de part a ce dont tu nous accuses, je ne repond point des autres, jen suis assés peiné, jay fait toutes recherches par mes jeunes gens, je nay rien a me reprocher qui sait si ca nest point un assiliboille, il y auoit des uns et des autres dans la foule, tu ne peus respondre de rien, ne sois point inquiète de ce qui regarde nostre pere, et tout son monde il est icy maitre comme ches luy, nous le prions de nous maitre au nombre de ses enfans, ce que je fis sur l'heure en mettant les mains sur la teste de chaque chef qui est la ceremonie ordinaire, responde par de grande acclamations de joye et de remerciement, je dis ensuite aux assiliboiles jenvoye quatre françois a mon fort pour y donner de mes nouvelles, je vous recommande de les faire rendre le plus tot que vous pourrés, jay laissé de la poudre au vilage et tout ce qui est necessaire pour les faire conduire. Le Conseil finit par de grand remerciement de part et d'autre, comme

At four acres from the fort, on a small height, the old men of the fort, accompanied by a great number of the youth, were waiting to present me with the calumet and to show me the two belts I had sent them four or five years ago. They gave a seat to me and to Mr. de la Marque. I received their compliments, which related only to the joy they felt at our arrival. I ordered my son, the Chevalier, to make all our Frenchmen draw up in line, the flag four paces in front; all the Assiniboines who had muskets placed themselves in line like our Frenchmen. After compliments had been paid, I saluted the fort with three volleys. Many people came to meet us, but nothing in comparison with what appeared on the ramparts and along the trenches. I marched in good order to the fort, into which I entered on the 3rd of December at four in the afternoon, escorted by all the French and Assiniboines. We were led into the hut of the head chief. It was certainly large, but not enough to hold all who wished to enter. The crowd was so great that they crushed one another, Assiniboines and Mandans. There was only the place where we were, Mr. de la Marque, his brother and my children, free of them. I asked that the crowd should retire, to leave our Frenchmen clear, and to put their baggage in a place of safety, telling them they had all time to see us. Everyone was put out, but I had been too late. The bag of goods had been stolen, in which were all my presents, through the fault of one of the hired men in whose care I had placed it before reaching the fort. He had unloaded on entering the hut without looking out for the bag, which he had put beside him in the great crowd. I felt rather confounded; my box lost, my bag of presents, which was very necessary for the place, and there were up wards of 300 livres inside. The Assiniboines seemed greatly annoyed and at once made a strict but useless search. Their fort is full of caves, well suited for concealment. The chief of the Mandans appeared to be greatly moved at my loss, and said for my consolation that there were many rascals among them. He would do his utmost to discover something about it. Had I accepted the offer of the Assiniboines, I might have had it found in a little time by force, but I preferred to lose it and to make peace about everything, as I wanted to spend a part of the winter with them to get a knowledge of the more distant country. On the 14th I had the principal Mandans and Assiniboines assembled in the hut where I was. I gave them my present of powder and balls, telling them that I could give them nothing else; that they all knew that what I had brought to give in presents had been carried off. I declared to them that I was inclined to remain some time to gain a knowledge of the country according to our orders, which I could not do in a day. The Mandans testified their joy, assuring me that I need not be afraid of fasting, that they had provisions in reserve, far more than were necessary for us, and that their whole fort was well supplied, that I might dispose of it being master among them. The elder of the Assiniboines, the orator of the village, said to me: My father, we have brought thee here; I do not doubt that thou mayest be well here; we flatter ourselves with bringing thee back to thy fort; thou art the master to do what thou shalt consider suitable; we will come to seek thee, so soon as thou shalt wish it. Speaking then to the Mandans: We are leaving our father; take great care of him and of all the French; learn to know them; they know how to do everything; he is a spirit; we love and fear him; do like us. We leave much grieved at the theft which has been committed on our father by entering among us; what can he think of us; we cannot deny that it is an unworthy thing. The Frenchman came to see us and you robbed him; we are pleased that our father should be good or it would not have passed in that way. I do not fear to tell you so; we could have found the bag had he wished it; there is still time if he will. I made him finish, as I saw the old man was getting heated. One of the Mandan chiefs answered: Neither I, nor my people have any share in what you accuse us of; I do not answer for others; I am vexed enough; I have had every search made by my young men; I have nothing to reproach myself with. Who knows if it is not an Assiniboine? There were some of both in the crowd; thou canst answer for nothing. Be not uneasy as to what regards our father and all his people; he is here master as if he were at home. We beg him to number us among his children. This I did at once, by putting my hands on the head of each chief, which

les assiliboilles ne parloit point encore de partir ayant cependant fait leur achat de tout ce qu'il auoit pu estre en estat d'acheter comme robe de beuf peinturé, peaux de serf et chevreuille bien passée et enjolivée de poille et plumes des plumes peintes et poille, jartiere, ouvrage, tout de teste, seintures, ce sont gens qui passent mieux le cuire de toute les nations et traaille bien delicatement en poilles et plumes, les assiliboilles ne sont pas capables de faire autant, Ils sont fin commercant despoillés les assiliboilles de tout ce qu'ils peuvent avoir comme fusille poudre balles chodiere ache couteaux aleine, uoyant la grande consommation de viures qui se faisoit tous les jours par les assiliboilles apreendant quil ne restasse longtemps il fire courir le bruit que les Sioux estoit proche, que plusieurs de leurs chasseurs les auoit aperceu, les assiliboilles donnere dans le panneau et prire leurs partis bien vite pour descampier, ne voulant pas se trouver obligé de se battre, un chef mantanne me fit attendre par signe, que le bruit qui courroit au sujet des Sioux estoit pour faire partir les assiliboilles, le six au matin tous partire a grande haste croyant les Sioux proche et craignoit qui ne leur coupasse le chemin, le chef ches qui j'auois logé dans le village mamena cinq hommes pour rester avec moy en me disant mon Père, je te regrete, jespere toujours que tu nous viendra joindre un peu. je marcheré doucement, voila cinq de mes jeunes gens que je te donne pour rester icy avec toy et te conduiront quand tu voudra partir, je luy fis un petit present pour le remercier luy disant qu'il conoitroit que j'auois de l'esprit dans peu, ayant dessin de le recompenser de son attention, Il partit avec de grandes protestations damitié, l'on ne uint auertir peu de temps après que notre interprete que j'auois bien payé pour massurer de luy estoit descampé malgré tous les offres que mon fils le chevalier luy peut faire allant après une femme assiliboille dont il etait amouraché, qui n'auoit pas voulu rester avec luy, Cestoit un jeune homme Crix de nations, parlant bon assiliboilles dont il y a plusieurs mantannes qui en parle assez bien je me fesois fort bien entendre, mon fils parloit en crix et les crix interpretoit en assiliboille, nous voila reduit pour comble de malheur, a ne nous pouuoir faire entendre que par signe et demonstrations, Si je m'estois mefié de mon interprete qui tous les jours massuroit de rester toujours avec moy, de ne jamais m'abandonner, j'auois profité du temps que je l'auois auprès de moy pour faire les demandes que je voulois faire aux mantannes me flattant auoir un homme sur j'auois remis après le despard des assiliboilles, estant toute la journée fort embarrassée Tout ce que j'ay peu scauoir et quelle demande que je fesois faire le soir après que tout le monde estoit retiré, comme s'il y auoit bien du monde le long de la riuère en descendant quel nations, s'il auoit conoissance de bien loing, lon me repondit qu'il auoit cinq forts des deux bords de la riuère de leurs nations bien plus grand que celuy ou nous estions que a une journée du dernier de leurs fort estoit les panaux, qui auoit plusieurs fort, les pananis cusuite, que ces deux nations tenoit beaucoup de terrain estoit presentement en guerre avec eux depuis quatre ans, auoit toujours de tout temps esté fort unis et alliance ensemble, qu'il me conterait par la suite les raisons qui les auoit brouillés, les panana et pananis fesoit leur fort et cabanes comme eux. Lesté blée et tabac au bas de la riuère qui se trouuoit fort large, ne uoyant point la terre dun bord a l'autre. l'eau mauuaise à boire, toutes ces terres estoit habitées par des blanc comme nous, qui traueillait le fer, Le mot de fer parmi toutes les nations dicy est toutes sorte de mesteaux sapelle fer, quil ne marchoit que a cheval tant pour la chasse que pour la guerre, lon ne pouuoit point tués d'homme avec la fleche ny le fusille estant couuert de fer mais que tuant le cheval l'on atrapoit homme facilement, ne pouuant courir auoir des pare fleche de fer bien clair se battoit avec des lances et sabre dont il estoit bien adroit l'on ne voyait jamais de femme dans les champs, leurs fort et maisons estoit de pierre, je demandé s'il y auoit de beaux bois, si les prairies continuait toujours par hauteur et valon, Il me repondire que le bois estoit le long de la riuère par endroit qu'il y en auoit aussy dans les prairies par iles, plus lon descendoit, plus les cautes augmentoit quil y en auoit beaucoup qui n'estoit que des rocher de belle pierre, surtout le long de la riuère, je demandé sil me toitt bien du temps a aler ou estoit les blanc, gens de cheval, on me repondit que les panana et pananis auoit des chevaux comme les blanc, il leur falloit tout un esté pour en faire le voyage rien que

is the usual ceremony, answered by loud shouts of joy and thanks. I then said to the Assiniboines: I am sending four Frenchmen to my fort to give my news there; I recommend you to get them to that place as soon as you can. I have left powder in the village and all that is necessary to have them brought. The council ended with loud thanks from both parties. As the Assiniboines did not yet speak of leaving, although they had purchased all they were able to do, such as painted ox-robbs, deer skin, dressed buck skin and ornamented furs and feathers, painted feathers, and peltry, wrought garters, circlets for the head, girdles. These people dress leather better than any of the other nations, and work in furs and feathers very tastefully; which the Assiniboines are not capable of doing. They are cunning traders, cheating the Assiniboines of all they may possess, such as muskets, powder, balls, kettles, axes, knives or awls. Seeing the great consumption of food daily by the Assiniboines, and afraid that it would not last long, they set afloat a rumour that the Sioux were near and that several of their hunters had noticed them. The Assiniboines fell into the trap and made up their minds quickly to decamp, not wishing to be obliged to fight. A Mandan chief let me understand by a sign that the rumour about the Sioux was to get rid of the Assiniboines. At six in the morning they all left in great haste, believing the Sioux were near and fearing that the road might be blocked up. The chief with whom I had lodged brought five men to remain with me, saying: My father, I still hope that you will join us for a little; I march peaceably. Here are five of my young men whom I give thee to remain with thee and to guide thee when thou shalt wish to leave. I made him a small present to thank him, telling him that he knew that I had sense and that I intended shortly to reward him for his attention. He left with great protestations of friendship. I was notified shortly after that an interpreter whom I had paid liberally to secure him had decamped in spite of all the offers which my son, the Chevalier, had made him, as he was going after an Assiniboine woman with whom he had fallen in love, but who would not remain with him. He was a young man of the Cree nation speaking good Assiniboine. As there were several Mandans who spoke it well enough, I made myself very well understood, as my son spoke Cree and the Cree interpreted into Assiniboine. But here was the height of misfortune, as we could only make ourselves understood by signs and demonstrations. If I had suspected my interpreter, who every day assured me he would always remain with me and never abandon me, I would have taken advantage of the time I had him with me to make the demands on the Mandans I wished to make. But flattering myself that I had a man on whom I could rely, I put off till after the departure of the Assiniboines. All day I was greatly embarrassed; all that I wanted to know and the few questions which I had put were asked in the evening after everyone had retired; such as, if there were many people along the river going down, and what nations; if the places at a distance were known. I was answered that there were five forts on the two banks of the river, belonging to their nation, much larger than that in which we were; that at a day's journey from the last of their forts were the Pananas, who had several forts; then the Pananis; that these two nations who held much of the country and were now at war for four years, had always from all time been closely united and in alliance together; that he would tell me afterwards the causes which had set them at variance. The Pananas and Pananis made their forts like them. In summer they grew wheat and tobacco on the lower part of the river, which was very wide, land not being visible from one shore to the other; the water bad for drinking. All these lands are inhabited by whites like us, who work in iron. The word iron among all the nations here means all sorts of metals, which they call iron; that they only marched on horseback, both for hunting and war; that these men could not be killed by arrow or musket, being covered with iron, but that by killing the horse the man could be caught easily, as he could not run; that he had a shield of iron very clear, fought with lances and sabres, with which he was very skilful; the women were never seen in fields; their forts and houses were stone. I asked if there were fine woods, and if the prairie continued in heights and hollows. He answered that the

des hommes, depuis qu'ils auoit guerre avec les panana ils nauoit entreprendre d'aller bien loing, Les chemins estoit bouchés pour eux, que les beuf estoit abondant dans les prairies, plus grand et plus gros de beaucoup que ceux que nous voyons dans les prairies le poil blanc et de plusieurs couleur, il nous montrere des cornes fendü par la moitié qui tiene bien près de trois chopines d'une couleur verdastre, Il y en a dans toutes les cabanes qui leur serue de cullier a pot, preuve quils en ont beaucoup tués dans le temps quil auoit le chemin libre, C'est tout ce que jay peu sauoir encore bien par azard, content fort sur mon interprète et auoir tout le temps de minformer a font a loysir, le 6 après le despard des assiliboilles, j'enuoyés mon fils le cheualier avec le Sr nolant six françois et plusieurs mantannes au fort le plus près, qui est sur le bord de la riuere. Sil estoit bien receu d'y restér a coucher de sinformer de leurs mieux du ruent de vend de là riuere quil habite, sil ont connoissance du bas selon ce qui nous en a esté dit, d'en tirér tout ce quil pourroit apprendre, Le tout par signe et démonstration, après leurs depard, Mr de Lamarque et moy, nous nous promenammes, pour obseruér la grandeur de leurs fortification, jordonné de contér les cabannes, lon trouua quil pouoit y en auoir cent trente, toutes les rués places et cabannes se ressemble, plusieurs de nos françois si ecartoit souvent, il tiene les rues et place fort nette, les rempard bien unie et Large, la palissade est apuyés sur des trauérs en mortoize dans des poteaux de quinze pieds a quinze points doublé, se sont des peaux verte quil mette pour doublage dans le besoin ataché seulement par en haut dans les endroit quil est de besoin, Comme dans les bastion il y en a quatre a chaque courtine bien flanqué, le fort est batis sur un hauteur en pleine prairie vn fausée qui a plus de quinze pieds de bas, sur quinze a dix-huit de large, lon ne peut monter a leurs fort que par des marche ou des piesses quil aute dans le danger de lennemy, si tous leurs fort sont pareille on les peut dire imprenable a des sauvages, leurs fortification n'est point du sauvuage; cette nation est d'un sang molée blanc et noir les femmes sont assés belles surtout les blanches beaucoup de cheveux blon et blanc, c'est une nation fort laborieuse, hommes et femmes, leurs cabanne sont grande espacieuse séparé en plusieurs apartemens par des madriers fort large rien ne traîne, tout leurs equipage est dans de grands sac suspendue a des poteaux, leur lits faits en maniere de tombeau entouré de peaux, tout couche nuë homme et femme, ces hommes sont toujours nue couuert seulement d'une robe de beuf, une grande partie de femmes nuës comme les hommes avec cette difference quel porte un petit brayet volant large de la main et dun en pied de long cousü a une seinture par deuant seulement, toutes les femmes ont cette espece de modeste quoiqu'il ait uue jupe ce qui fait qu'il ne se gene point ou ne se ser point les cuisses comme toutes les femmes sauvagesses pour sasseoir plusieurs porte une espece de camisol dun cuir de chevreuille bien molet, Il y a beaucoup de cheureuille, il est fort petit, leurs fort est rempli de cave ou ils ser tout ce quil ont comme grains, viande, graisse, robe passée, peaux d'ours, ils sont bien muni, c'est la monoie du pays, plus il en ont plus ils se tiene riche, ayme beaucoup la picure, il n'ont jamais que la moitié du corps piqué hommes et femmes, il trauille en osier fort proprement plat et corbeille, il se serue de pots de terre quils font comme bien d'autres nations, pour faire cuire leur manger, Ils sont pour la plupart grand mangeurs, sont fort pour les festins, l'on maportait tous les jours, plus de vingt plats, blée, feines et sitrouilles, cela tout cuit, m' de la marque qui ne hayssait pas les festins y aloit continuellement avec mes enfants, Comme je ny alois point l'on m'enuoyait mon plat, les hommes sont gros et grand bien alerte pour la plus grande partie assés beaux du visage, belle fisionomie fort afable la plupart des femmes n'ont point la fisionomie sauvage, les hommes joué a une espece de jeu de boule, sur les places et ramparts, Le S' Nolant et mon fils arriere le 4 au soir fort satisfait de leurs voyage ayant esté très bien reçeü et fort sollicité pour rester plus longtemps il me raportère Le fort est sur le bord de la riuere une fois aussi grand que celui-cy, Les places et rués fort belles, bien nette, leurs palissade est en meilleure ordre et fortification le tout fait de la même fason que celui ou nous estions, selon ce qu'il auoit pu entendre, que tout leurs fort estoit pareille, qui voyait un voyait tout, avec cette difference qu'il y en auoit de bien plus grands les uns que les autres, que le dernier estoit le plus grand de tous, Le plus près des

wood was along the river in places and also on the prairies in islands; that the further down the more the hills increased; that many of them were only rocks of fine stone, especially along the river. I asked if it took long to go to where the whites, the horsemen, were. I was answered that the Pananas and Pananis had horses like the whites; it would take a whole summer to make the journey, and that since they were at war with the Pananas the men would not undertake to go far, the roads being closed to them. That cattle were abundant on the prairies, far larger and fatter than those we had seen on their prairies; their coat white and of several colours. He showed us horns split in half, of a greenish colour which hold nearly three pints. In all the huts they have them in use as ladles, proving that they have killed many when the road was open. That was all I could learn even by chance, as I had relied on my interpreter, that I would have time to be thoroughly informed at leisure. Six days after the Assiniboines left I sent my son, the Chevalier, with Sieur Nolant, six Frenchmen and several Mandans to the nearest fort, which is on the bank of the river. If well received they were to sleep there, to get the best information of the course of the river; who dwell there; if they are acquainted with the lower part, in accordance with what was told us; to learn all that could be ascertained by signs and demonstrations. After their departure, Mr. de la Marque and I walked about to observe the size of their fort and their fortifications. I decided to have the huts counted. It was found that there were a hundred and thirty of them. All the streets, squares and huts resembled each other. Several of our Frenchmen wandered about; they found the streets and squares very clean, the ramparts very level and broad; the palisade supported on cross-pieces morticed into posts of fifteen feet. At fifteen points doubled are green skins which are put for sheathing when required, fastened only above in the places needed, as in the bastion there are four at each curtain well flanked. The fort is built on a height in the open prairie with a ditch upwards of fifteen feet deep by fifteen to eighteen feet wide. Their fort can only be gained by steps or posts which can be removed when threatened by an enemy. If all their forts are alike, they may be called impregnable to Indians. Their fortifications are not Indian. This nation is mixed white and black. The women are fairly good-looking, especially the white, many with blond and fair hair. Both men and women of this nation are very laborious; their huts are large and spacious, separated into several apartments by thick planks; nothing is left lying about; all their baggage is in large bags hung on posts; their beds made like tombs surrounded by skins; all go to bed naked, men and women. These men are always naked, covered only with a buffalo robe; a great part of the women naked like the men, with this difference, that they wear a loose apron, about a hand breadth wide and a foot long, sewed to a girdle in front only; all the women have this kind of protection, although they have a petticoat which gives no constraint, they do not close the thighs; as is the case with other Indian women when they sit down. Several carry a kind of gown of very soft deer skin; there are many deer, they are very small. Their fort is full of caves, in which are stored such articles as grain, food, fat, dressed robes, bear skins. They are well supplied with these; it is the money of the country; the more they have of it the richer they believe themselves to be. They are fond of tattooing, but never more than half of the body is tattooed, both of men and women. They make wicker work very neatly, flat and in baskets. They make use of earthen pots, which they use like many other nations for cooking their food. They are for the most part great eaters; are eager for feasts. They brought me every day more than twenty dishes of wheat, beans and pumpkins, all cooked. Mr. de la Marque, who did not hate feasts, went to them continually with my children. As I did not go to them, my share was sent to me. The men are stout and tall, generally very active, fairly good looking, with a good physiognomy. The women have not the Indian physiognomy. The men indulge in a sort of ball play on the squares and ramparts.

On the evening of the 4th, the Sieur Nolant and my son arrived, well satisfied with their journey, having been well received and strongly urged to remain longer. The fort is on the bank of the river, as large again as this; the squares and streets

panana, que la rivière paroissoit aller selon la bourse aux sud-ouest quard de sud par les signes que on leur avoit fait le bas peut, se rendre à la mer au sud ouest quard ouest qu'il jouoit souuent au propos interrompu ne pouvant s'attendre Les demandes qu'il leurs fesoit, il repondoit d'autres choses, faute de pouvoir s'entendre, leaux de leur riviere desend avec une grande rapidité, beaucoup de bature, n'est pas des meilleure a boire, estant un peu salée. Nous auons toujours trouvée depuis la dernière montagne presque tous les maraix et estands salées, ou soufrée, que tout ce qu'il avoit pu comp [rendre] est qu'il y avoit des hommes comme nous au bas de la riuere, fesoit de lestoffes et toilles estoit fort nombreux, auoit guerres, avec une grande partie des sauuages, uoyant qu'il estoit inutile a nous de vouloir les questionnée ne pouuant nous entendre, nous nauons cessé destre en festin tout le temps que nous auons restés a leur fort, encore nous nauons peu aler a tous ceux ou nous estions priés, nous auons remarqué que dans la plaine il y a plusieurs petits forts de quarante a cinquante cabannes, construit comme les grand, il ny a personne pour le present, il nous ont fait entendre qu'il si retiroit lesté dedans pour trauaillée a leurs champs, qu'il y auoit beaucoup de grain dans les caves en réserve. C'est tout ce qu'il me pouait donné de connoissance de leurs uoyage, j'ordonné a mon fils de prendre hauteur le huit de Decembre. Il trouua quarante huit degrés douze minutes, je consulté le 7 au soir avec m^r de lamarque sur le party que nous deuions prendre. Il sauoit comme moi qu'il nous restoit peu de chose pour de present, ce qui nous mestoit dans l'impossible d'aler plus loin, la saison trop facheuse pour pouoir rien entreprendre par dessus tout point d'interprete ny esperance den auoir de l'hiver, nous auions tout lieux de craindre, que les Chemins ne deuins impraticable pour le printemps par raport aux eaux, et en risque d'ariuer trop tard pour le départ de nos canots, la poudre que je pouois auoir, ne seroit peut estre pas suffisante pour fournir a tous nos besoins dans le cours de l'hiver, et le peu de marchandises qu'il me restoit, nous pourrions nous trouuer embarrassés avec tout notre monde, nayant plus rien pour nous faire conduire, que le sauuage ne rendoit seruire qu'autant que lon le payait et dauance, qu'il regardoit les promesses, comme une bien petite resource, d'une autre costé que nous auions lieux d'apreender a nous mettre en marche, dans la plus rude saison de l'année, après auoir balancé, le tout nous decidames qu'il nous falloît partir lessér seulement deux hommes capable de pouoir apprendre la langue en peu en lesser vn dans le fort ou nous estions et autre dans le fort le plus près, estant seul qu'il apprendroit bien plus uitte et nous pourroit donner par la suite toutes connoissances m^r de lamarque choisit un de ses engagés homme d'esprit [qu'il m'o]ffrit comme ostant un des plus capables sachant escrire, je l'accepté avec plaisir et lui donnée pour second mon domestique, qui m'estoit cependant fort utile et fort atachés a mon seruire je préférés a m'en priuer à l'huilité qu'il me pourroit estre par la suite, luy connoissant un esprit fort uif beaucoup de memoire grande facilité pour les langues, bien sage et bien craignant Dieu, je leur donnés une bonne instruction de tout ce qu'il auoit a faire et M^r de lamarque de son costé leurs promettent de les enuoyer chercher dans le cours de l'esté prochain, Cela finit pour les deux hommes que je lessois, j'auertis nos cinq assiliboilles, à qui je fis entendre que je voulois partir en peu ce qu'il leur fit grand joye, je leur montré par signe ne pouuant me faire entendre autrement qu'il falloît partir deux avec deux françois des le lendemain au matin que tout ce qui leur faudroit seroit prêt, pour se rendre en diligence au village les auertir de nous attendre, que je partirois quatre jours après eux, que j'alés tout préparé pour mon voyage je donné ensuite conoissance aux mantannes de mon dessein, cela paruë leurs faire bien du chagrin, je leur montré les deux françois que je lessois a ma place en leur recommandant d'en auoir bien soin Il me firent de grand remerciements avec de grandes protestation d'amitié et fidelité, je leur donois a connoitre par la que je ne les abandonois pas, je demandé au Chef que l'on me fit de la farine grolée, pour notre voyage, la nouvelle fut bien tost repandue dans tout le fort, le 8. au matin, je fis partir deux françois conduit par deux assiliboilles comme j'ay déjà parlé pour allér auertir le vilage de mon despart, lon maporta de ces farinnes de blé grolée dans la journée bien plus qu'il ne me falloît, je remerciés en donnant quelques eguilles qu'il estime beaucoup, il mauroit chargés

very fine and clean ; their palisade is in the best order and strength ; the whole built in the same fashion as the one in which we were. From what they could hear, all their forts were alike ; who saw one saw them all, with this difference, that some were much larger than others ; that the last was the largest of all. The nearest to the Pananas that the river appeared to go was, according to the compass, south-west by south, by signs given to them ; the lower part may go to the sea to the south-west by west. They were often amused with broken talk ; not being able to answer questions put to them, they answered something else, for want of understanding. The waters of their rivers come down with great rapidity, having many shoals. The water is not good for drinking, being brackish. We have constantly found from the last mountain almost all the marshes and ponds brackish, or sulphurous. What they could understand was, that on the lower part of the river there were men like us, who made cloth and linen, were very numerous, and had wars with a large part of the Indians. We saw that it was useless to question them, as they could not understand us. We did not cease going to their feasts all the time we were at their fort, but could not attend all those to which we were asked. We noticed that in the plain there were several small forts, of forty or fifty huts, built like the large ones, but no one was there at the time. They made us understand that they came inside for the summer to work their fields and that there was a large reserve of grain in their cellars. This is all the information they could give of their journey. On the 8th of December, I ordered my son to take the altitude which was forty-eight degrees, twelve minutes. On the evening of the 7th I had consulted with Mr. de la Marque as to the course we should take. Like myself, he knew that little remained with us for presents, which rendered it impossible for us to go further ; the season too trying to be able to undertake anything, and above all, no interpreter nor any hope of getting one during the winter. We had every reason to fear that the roads would become impracticable in spring on account of the waters and with the risk of arriving too late for the setting out of our canoes ; the powder I would have used nor perhaps be enough to supply all our wants during the winter and with the small quantity of goods remaining we might find ourselves in a difficulty about all our people, having no longer anything to carry us on, as the Indians would only serve us so far as they were paid and that in advance, as they looked on promises as a very small resource. On the other hand, that we had reason to apprehend setting out on a march in the worst season of the year. After having considered the whole, we decided that we must set out, leaving two men fit to learn the language in a short time, one in the fort in which we were and the other in the nearest fort, as being alone they could learn much more quickly and could consequently give all the information. Mr. de la Marque selected one of his hired men, a man of intelligence, whom he offered me as being one of the most capable, able to write. I accepted him with pleasure and gave him my servant as the second, although he was very useful to me, as well as very useful and attached to my service, I preferred to deprive myself of him for the good he might afterwards render, knowing his strong and quick intellect, with a good memory and facility in learning languages, very wise and fearing God. I gave him full instructions of all he had to do, and on his side, Mr. de la Marque promised to send to look after them next summer. That ended, so far as regarded the two men whom I left, I notified our five Assiniboines, whom I made to understand that I wished to set out shortly, which gave them much joy. I showed them by signs, not being able to make myself understood otherwise, that it would be necessary for them to set out with two Frenchmen on the morning of the next day, that everything would be ready for them, so that they might go speedily to the village to warn them to expect us ; that I would leave four days after them, so that I might prepare everything for the journey. I then informed the Mandans of my design, which appeared to give them much sorrow. I showed them the two Frenchmen whom I left in my place, recommending that they should be taken good care of. They gave me many thanks, with great protestations of friendship and fidelity. I then let them know that I would not abandon them. I asked the chief to give me meal for the journey. The news soon spread throughout

cent hommes dans la journée en peu de temps, tout sempressoit de m'en apotér, je fis prendre a tous nos gens ce qu'il en voulure, cela fut fait en tres peu de tems, ayant pourueü a tout ce qui estoit de besoin a tout notre monde, je fis assembler les chefs et principaux mantannes, leurs fis un présent de poudre balles et plusieurs menuité qu'il estime beaucoup par le besoin ou il en sont, je donnè au premier chef vn pauillon, luy donnè une plaque de plom, que j'auois ornée par les quatre coing auè du ruban l'on la mit dans une boète pour estre gardé a perpetuité, en memoire de la prise de possession que je fesois au nom du Roy de leurs terres, elle sera bien gardée de pere en fils mieux que si je leuse mise en terre ou elle auroit pu courir risque destre friponé, je leurs fis comprendre du mieux que je peus que je leurs lessois cette marque en memoire des françois venue sur leurs terres, j'auois fort souhaité me pouuoir faire entendre pour leurs dire bien de choses, qui leurs auroit esté fort utile et a nous ce qui ne se pouuoit a mon grand regret et aux leur. J'auois travaillé avec tant de diligence que le huit au soir tout estoit prêt pour notre despard, que je contoies preuenir plustot que je nauois marqué, je tombé malade la nuit du 8. au 9. je me trouvé en bien peu de temps fort mal, je ne sauois que enpensér, je gardé le lit trois jours, me trouuant mieux le quatrieme je me disposée a partir le lendemain je donnè aux deux hommes que je lessois de quoy les defrayér gracement et mesme pour payér un guide si besoin estoit pour les ramener a notre fort, les instruisent encore derechef du sujet qui m'obligeoit a les lesser la, si tost quil pourroit se faire entendre de ne rien négliger pour conoitre quel estoit cette nation de blanc quel fer est quil travaillait, sil y auoit quelque minnes a leurs conoissances, quel nation au desue. En montant la riuère sil conoisoit un hauteur des terres, en un mot ne rien negligier pour auoir toutes les conoissance possible du pais.

Je partis quoyque malade, dans l'esperance que cela ne seroit rien, et que je retrouverois ma boete au vilage, dans la quelle j'auois mis quelque remede le 13. de desembre au grand regret de tous les mantannes un chef nous vint conduire jusque a une lieuè et demy dou je le renuoyé, il me temoigna par de grande demonstrations le regret quil auoit de mon despard me faisant signe de ne point l'embandonner de reuenir quil nous acompagneroit; je luy donnè un petit present de poudre en luy recommandant derechef les deux françois que je leurs lessois, il me fit signe quil en aloit prendre un ches luy, je le congedié apres auoit bien fait de remerciements, le soir je mapersue que nous nauions que deux assiliboilles avec nous, il me fire entendre quil en estoit resté un avec nos françois ne uolant point les abandonner quil ne reuiendroit que dans lesté auè e. x. j'arriué au vilage le 24. toujours bien mal nous auions esuyés des froit exesiue qui nous causere un grand retardement, l'on me rendit ma boète, rien ny auoit esté touché il se estoit contenté du sac de lesclauè que l'on me rendit uide, estant un peu reposée, je leurs fis reproche de ce quil mauoit menty au sujet des mantannes de tout ce quil mauoit dit j'auois trouué bien peu de verités, lon me repondit quil nauoit pas pretendue parler des mantannes en disant quil estoit comme nous quil auoit pretendue parler de cette nation qui est au bas de la riuere, qui trauaille le fer, un assiliboille se leua adessus des autres en me disant celuy icy le seul qui ten peus mieux parler, tu n'a pas bien entendue ce que l'on ta dit, je ne ment point Lesté dernier j'en ai tués un, qui estoit couuert de fer comme j'ay déjà dit plusieurs fois, si je nauois pas tués le cheval le premier je nauois pas héu l'homme je luy dis qu'a tu apotés a sa depouille pour nous faire uoir que tu dis uray, comme je luy uoulois couper la teste j'aperceue des hommes a cheual qui me coupoit le chemin j'éu bien de la peine a me sauuer, je n'auois garde de rien apotér je chetè tout ce que j'auois jusque a ma couuerture me sauwend nue, ce que je dis est uraye je te le ferés dire par d'autre qui estoit avec moy, ce printemps prochain, il ne sont point icy actuellement mais tu les uoyra ce que j'ay dit je te le repete encor, on ne uoye point l'autre cauté de la riuère leaux est salée c'est un pais de montagne, grande espace entre les montagnes de beau terein quantité de beuf gros et grand blanc et de diferente couleur beaucoup de serf et de cheurreille, j'ay ueu de leurs champ de blée on y uoit point de femmes ce que je te dis est sens desein tu en apendera plus par la suite, je continués ma route après trois jours de repos, je me rendis a la première montagne le 9

the fort. On the morning of the 8th, I made the two Frenchmen set out, guided by two Assiniboines, as I have already said, to go to warn the village of my departure. Wheat flour pounded for the journey was brought, much more than was necessary. I thanked them, giving them some needles which they greatly value. They would have loaded a hundred men for the journey; in a short time all hastened to bring me some. I made all our people take what they wished, which was done in a very short time. Having provided for all that our people needed, I assembled the chiefs and principal Mandans, made them a present of powder, balls and several trifles, which they greatly value, owing to their need for them. I gave the head chief a flag, gave him a leaden plate, which I had ornamented with ribbon at the four corners. It was put into a box to be kept in perpetuity, in memory of my taking possession of their lands, which I did in the King's name. It will be preserved from father to son, better than if I had put it in the ground, where it would have run the risk of being stolen. I made them understand as well as I could, that I left them that mark in memory of the Frenchmen who had come upon their lands. I very much desired I could have made them understand, in order to tell them many things which might have been very useful to them and to us, which to my regret and to theirs I could not do. I had wrought with so much diligence, that on the evening, of the eighth every thing was ready for our departure, which I calculated to accomplish sooner than I had given notice of. During the night, between the 8th and 9th, I was taken ill, and in a very short time was very ill; I did not know what to think of it. I kept my bed for three days. Finding myself better on the fourth, I prepared to set out the next day. I gave the two men enough to defray their expenses liberally, and even to pay a guide, if need were to bring them to our fort; informed them once again of the cause which obliged me to leave them there. So soon as they could make themselves understood, they were to neglect nothing to learn what was this nation of whites, what metal they worked with; if there were any mines to their knowledge; what nations were above, going up the river; if they knew a height of land—in a word, to neglect nothing to obtain all possible information respecting the country.

I set out, although ill, in the hope that it would be nothing and that I would recover at the village my box in which I had put some remedies. On the 13th of December, to the great regret of all the Mandans, a chief came to conduct us a league and a half's distance, whence I sent him back; he testified to me by great demonstrations the regret he felt at my departure, making a sign that I would not abandon him, but to return and that he would accompany us. I gave him a small present of powder, once more recommending the two Frenchmen whom I left with them. He made me a sign that he would take one to his own house. I dismissed him after giving him many thanks. In the evening I noticed that we had only two Assiniboines with us. They made me understand that one had remained with our Frenchmen, not wishing to abandon them; that they would return only in summer with them. I arrived at the village on the 24th, still very ill. We had experienced excessive cold, which caused great delay. My box was restored to me; nothing had been touched; they had been satisfied with the slave's bag, which was returned to me empty. Having rested a little, I reproached them for lying to me respecting the Mandans; that there was very little truth in all they had told me. They answered, that they had not pretended to speak of the Mandans, saying that they were like us, that they had intended to speak of that nation which is at the lower part of the river, who work in iron. An Assiniboine rose above the others, saying to me: This is the only one who can speak better to thee about it; thou hast not understood properly what was said to thee; I do not lie. Last summer I killed one who was covered with iron, as I have already said several times. If I had not killed the horse first, I could not have killed the man. I said to him: What hast thou brought of his spoil to show us that thou speakest the truth? As I wished to cut off his head, I noticed men on horseback, who were blocking the way, I escaped with difficulty; I kept nothing to carry off; I hrew away every thing I had even to my blanket, in my flight. What I say is true, and I will have it told to thee by others who were with me the following spring. They are not ere now, but thou shalt see them. What I have said I repeat; the other side of the river

de jenuier ou nous auons séjournée longtems m^r delamarque prit le partis de sen aler deueud, me uoyant toujours bien mal, dans le dessein de m'enuoyer du secour, il arriua le premier de feurier, je nariuée que le dix, bien fatigués et bien mal, jauois heu le secour quil m'auoit enuoyés à trente-cinq lieues du fort, qui me fit bien plesir en ayant grand besoin, je nay jamais de ma uie enduré tant de misère mal et fatigues que dans ce uoyage la, je me suis trouuée en quinze jour de repos un peu restablie, m^r de lamarque atendoit mon arriuée pour prendre son partis a aler au fort de morpas ayant appris quil ny auoit point de uiures, je luy dis que je pençois sa presence estoit bien hutile dans son poste, il se détermina a partir, me demanda a lesser m^r son frère, avec une grande partis de ces engagés pour uiures à mon fort se flatent quil y auoit plus desperance de uoir du monde, nous n[ous somm]es trouuée bien prest de jeuner, heureusement quil nous est venue deux cabannes de sauages, que jay aresté aux fort il nous font uiure par leurs chasse dorignal et biche, nous sommes quarante-deux personnes dans le fort, Cela fait une grande consommation, m^r de lamarque est partis le 16 du mois jay reçu de ses nouuelles peux de temps après, il me marque quil apreende bien de jeuner ne uoyant pas grand sauages, nous voila maintenant au saise daurille et nous nauons encore veu personues, je ne say ce que Dieu nous garde.

J'ay fait partir mon fils le cheualier ce matin 16 daurille avec un sauage pour alér faire la descouerte du fort du lac Snipigon, et prendre conoissance des rivières qui tombe dedans, surtout de la riuère blanche, ou j'ay dessein d'alér aux retour de nos canots, de la mine qui est dans le lac et de celle qui est dans la rivièrre blanche de la décharge du lac, en faire le tour, tachés dempêcher les sauages dalér aux Englois, leurs fesent espérer nôtre arriuée en peux,

J'ay receu une lettre de M^r de lamarque le 23 daurille qui me marque nauoir heu encore aucun sauage quil a pris son partis pour les alér trouver dans la grande riuere de Snipigon ou il sont affaire leurs canots.

Je pense que c'est embandonner de bonheur le poste, les sauages pouroit de la riuere rouge ariver après leur despard. le 22 du present mois j'ay appris par un sauage quune grande bande d'assiliboilles cestoit rangés dans le lac des prairies, qui travaillait affaire des canots, pour allér aux Englois.

- J'ay enuoyé le 24. Senchagrin avec un engagés pour les amener icy, enfin de les destourner dalér aux Englois.

Le 30. il nous est arivée cinq assiliboilles sur le soir pour mauertir qu'il venoit bien du monde, nous en auons grand besoin, nayant rien fait jusqua present.

Le 3. de may cette grande bande c'est reduit a bien peux de monde.

Le 10 M^r nolan desesperend quil viene davantage du monde ma demandés a partir me representant quil nauoit plus de viures ne pouuant rester plus longtems, j'ay fait mon possible pour l'engagé a patientér encore quelque temps estant bien facheux quil partis a leigo.

Le voyant desterminee a partir je luy ay permis.

Le même jour 10. au soir il nous est arivé quinze assiliboilles pour nous avertir quil estoit de soixante cabannes que lon leur auoit dit que nous estions partis.

Je les ay renvoyés avec du tabac pour les faire pressér de venir. Ils sont arivée le 18 et fait leur trette en peu de temps.

Ceux la partis le 20. trois hommes sont arivée pour me prier de differer le despard quil aloit arivée trente cabannes.

Je les ay fait partir avec diligence leur donnant du tabac pour dire a leur gens de se presser de venir.

J'ay descouverd ces jours icy une riuere qui desend dans l'ouést tous les lacs et rivières que j'ay heu de conoissance vont a la baye du deson mer du nor hor la riuere des mantannes.

J'en prendré une entiere conoissance cet estée par moy-même ou par personne commis de ma part.

J'ay fait diféré le depart de mes canots jusque au 28 du mois pour attendre dt monde inutilement il n'en est uenué que peu il remette tous a me venir uoir dan l'Estée.

cannot be seen ; the water is salt ; it is a country of mountains ; a great extent between the mountains of fine land ; many cattle, big and stout, white and of different colours, many stags and deer ; I have seen their wheat fields, where no women are to be seen ; what I tell thee is without deceit ; thou wilt learn further of it afterwards. I continued my journey after three days rest. I reached the first mountain on the 9th of January, where we remained a long time. Mr. de la Marque made up his mind to go on, seeing me still very ill, in order to send me assistance. He arrived on the first of February ; I arrived only on the 10th, greatly fatigued and very ill. I met the assistance he sent me at thirty-five leagues from the fort, which gave me great pleasure, having great need of it. I have never endured so much wretchedness in my life, from illness and fatigue, as in that journey. I found myself, after a fortnight's rest, a little restored. Mr. de la Marque waited my arrival to carry out his design of going to Fort Maurepas, having learned that there were no provisions. I told him that I thought his presence would be very useful in his post. He determined to set out, asking me to leave his brother with a large party of hired men for provisions at my fort, flattering themselves that there was more hope there of seeing people. We were nearly starving, when fortunately two huts of Indians came, whom I stopped at the fort. They supplied us by their hunting moose and deer. We numbered forty-two persons in the fort, which means a large consumption of food. Mr. de la Marque left on the 16th of the month. I received news from him shortly after. He informed me that he dreaded a famine, not seeing Indians. We are now in the 16th of April and have not yet seen any one. I do not know how God preserves us.

I sent my son, the Chevalier, that morning, the 16th of April, with an Indian to go to make a search for the fort of Lake Winipigon, and to take notice of the rivers which fall into it, especially the White River (to which I intend to go on the return of our canoes), from the mine which is in the lake, and from that which is in the White River, from the outlet of the lake, to notice the turn of it, and endeavour to prevent the Indians from going to the English, by making them hope for our speedy arrival.

I received a letter from Mr. de la Marque on the 23rd of April, which notified me that he had not yet had any of the Indians ; that he has decided to go to find them in the great river Winipigon where they are engaged building their canoes.

I think he is leaving the post too early ; the Indians might arrive from the Red River after his departure. On the 22nd of the present month I learned from an Indian that a large band of Assiniboines had drawn up on the Lake of the Prairies who were working on their canoes to go to the English.

On the 24th I sent Sanschagrin with a hired man to bring them here so as to turn them from going to the English.

On the 30th five Assiniboines arrived towards evening to let me know that a large number of people was coming ; we have much need of them, having done nothing till now.

On the 3rd of May this great band was reduced to very few.

On the 10th, Mr. Nolant, despairing at no more coming, asked leave to set out, representing to me that there were no more provisions and that they could not remain longer. I did my best to induce him to have patience for some time yet, being much vexed that he should go empty.

Seeing him determined to set out, I gave him permission.

On the same day, the 10th, in the evening, fifteen Assiniboines arrived to notify us that there were sixty huts coming and that they had been told we had gone.

I sent them back with tobacco to hasten their coming. They arrived on the 18th and did their trading in a short time. These left. On the 20th, three men arrived to beg me to delay our departure, that thirty huts would arrive. I made them set out with speed, giving them tobacco to tell their people to hasten their coming.

I discovered these days a river flowing to the west. All the lakes and rivers of which I have had any knowledge go to Hudson's Bay, the Northern Sea, except the Mandan River.

Il sont si beste qu'il pense que lon les ua attendre une partie de l'Estée et quil sera toujours assés temps pour emporter leurs castor.

Je leurs promets bien sitost mon fils ariés et les deux hommes que j'ay laissés au mantannes ~~descamper d'icy au plus vitte.~~

I will obtain complete knowledge of it this summer, either by myself or some person on my behalf.

I have deferred the departure of my canoes till the 28th of the month, waiting uselessly for the people to come; only a few arrived, all postponing their coming till summer.

They are so stupid that they think they will be waited for into the summer, and that there will always be time enough to carry off their beavers.

I promised them that as soon as my son and the two men arrived, whom I had left with the Mandans, I would remove as from this quickly as possible.

No. 2.—CAPTAIN GEORGE DIXON TO EVAN NEPEAN.

(Archives, series Q, vol. 49 p. 354.)

SIR,—Since I had the Honor of a personal conversation with you have seen Mr. Dalrymple who agrees with me that it is too late for the undertaking by way of Hudson's Bay and that to go by way of Quebec is only losing time. It is his Opinion that a ship should be sent by Government as soon as possible round Cape Horn and a Settlement made on the other side, and from thence the journey should be undertaken.

His reasons for this are. The Russians having got full possession of Cook's River—Prince Wms. Sound; and he makes no doubt but they will soon have settlements to the Southward, as they are in possession of all the Information Mr. Etches is enabled to give, who is at Petersburg on that Business at this present time.

The Americans last year had a ship on the Coast, she as yet is not arrived—two were there under Portuguese colours and I am told of one under Swedish, to say nothing of the Spaniards who we are sure are extending their settlements Northwards.

Upon the whole I am afraid if something is not done and that immediately this valuable Branch of Commerce will be lost to this Country and in consequence of that Loss the Traders both from Hudson's Bay and Canada will find themselves in a bad neighbourhood.

I am, Sir,
Your humble servt.,
GEO. DIXON.

No. 6 Jas. St.,
Covt. Garden,
July 14th, 1789.

No. 3.—ISAAC OGDEN, QUEBEC, TO DAVID OGDEN, LONDON.

(Archives, series Q, vol. 49, p. 357.)

An extract of a Letter from Isaac Ogden, Esq., at Quebec, to David Ogden, Esq., of London, dated Quebec, 7th Novemr., 1789.

In my last Letter I gave you some account of the extent of the Commerce, and of this Country, and as I am convinced that common Report of estimation of Distance, &c., will not be satisfactory to a Philosophic mind, and as since I have had an opportunity of seeing a map or chart of that Country made by a Gentleman of observation and Science, who has actually traversed it, and made his map in it, and with whom I have this week had several Conversations, with the map before me, I am able to give you all the satisfaction you wish for, exclusive of the map itself, which I could not get a copy of, but I hope to send it to you the next Summer.

The following are observations that I took from the map.

It begins at the upper end of Lake Superior, in Lat. 46-47 North, where there is a Portage of near 9 miles before you enter the waters communicating to the North West. www.libtool.com.cn

The Mississippi heads in the same Lat. with the head of Lake Superior, about 10 Degrees of Longitude to the westward of it, and from the Portage there is a water Communication to that River, and down it, which is only interrupted by the Falls of St. Anthony. The traders go on this Course Westward, leaving the Mississippi to the Eastward one thousand miles; and may go south west down the Mississippi to its mouth.

The furs much inferior to those on the North West trading Posts.

From the end of the Portage at the Head of Lake Superior, all the Lakes and waters as high up as Lat. 58 and Long. 124 set first to the North-West and North, and then take a South Easterly and South course, and empty into York River, (Hudson's Bay). These Lakes and Rivers are almost innumerable.

Some of them are very large such as the Lake Winnipeg, Lake of the Woods and others. The Mouth of York River lays in Long. 94 West and Lat. 57. It is an extensive large River setting nearly West, and is supplied by the above Lakes and Rivers which fall into it from the North and South.

The Hudson's Bay Company have Posts several hundred miles west from them, but none to the Northward;—Our Traders pass them at one of their posts about the Lat. 57 and Long. 110. A Chain of Lakes, &c., continue from thence to the Lat. 58 & Long. 124 when with a small Portage they enter into the Rivers and Lakes that run a North West course and empty into other Lakes and Rivers, which all finally communicate and empty into a great Lake called the Slave Lake, which lays between the Lat. of 63 & 65, being three degrees in width, & Long. from 125 to 135, and this Lake is the last water before you come to the Great Northern Ocean, which lays in Lat. 68½ & in the Long. 132 where the water ebbs & flows, of which the Gentleman gave me indubitable Proofs.

The Lakes that empty into the Great Slave Lake, at least the largest of them are named the Arabaska (which has a large River running into Slave Lake of three or four hundred miles at least in Length, its course North West) the Lake, or rather the upper Lake of the Woods, or Lake of the Hills (there being one near Lake Superior) and this Lake extends itself near 8 degrees of Long. and lays in Lat. 60 and the Lake Pelican which is also large, and besides these there are a number of small Lakes.

The River that carries all these Waters into the Slave Lake is called Slave River and is very large, it runs North West several hundred miles in Length.

From out of the Great Slave Lake runs a very large River, which runs almost South West, and has the largest Falls on it in the known World, it is at least two miles wide where the Falls are, and an amazing Body of Water. This River leaves the Lake in Lat. 64 & Long. 135, & the Falls are in Long. 141.

The great chain of Mountains that extend from Mexico along the Western or Pacific Ocean, and the Northern Pacific Ocean, terminates in Lat. 62½ & Longitude 136, so that the Slave River runs to the Westward of them and emptys into the Ocean by its course in about the Lat. of 59.

There is no wood to the Northward of Slave Lake, there is only a little low Brush which is filled with a species of Buffaloes which have no Tails, but have long Hair on the Back of their Thighs & Legs that resemble a Tail. They are smaller than the common Buffaloes.

When you have proceeded thus far, & have looked over your map, you will readily conjecture what River the above Slave Lake River is known by, when it empties into the Ocean. To save you much Trouble I will tell you it is Cook's River, which he penetrated upwards of 70 Leagues North Eastwd., as you will see by his chart. Cook's River as he has laid it down in his chart (that is the Mouth of it) lays in Lat. 59-40 & Long. West 154.

His calculation and laying it down was East Longitude, but if you deduct his Eastern Long. from 360 you will find it to be 154 West. His course up the River was North Easterly, the course of the River out of Slave Lake was South Westerly.

He traversed his River [that course near 70 Leagues North Easterly, the River out of Slave Lake is known as far South Westerly, therefore the distance to form the Junction or to ascertain the River to be the same is very short. The Mouth of Slave River at the Lake is in Lat. 64 & Long. 134. The mouth of Cook's River is in Lat. 59-40 & Long. 154. The Course is North Easterly and South Westerly. The Degrees of Long. in that Lat. are but little more than 26 miles upon the Average to a Degree, and the Difference of the Lat. only about 4 Degrees. Hence, and as there is no other known Vent for the River setting out of Slave Lake, nor any other River in that Country to the Northward, or Southward of Slave Lake to form such a River as Cook's River, there can be no doubt, but the Source of Cook's River is now fully discovered and known. There are other Proofs that are incontestable—Cook found a great quantity of drift wood on the Coast. This wood is only found on the Banks of the River that emptys into Slave Lake. Neither are there any Rivers of any size from the near Approach of the Mountains to the Sea to the Eastward of the Lake. The Rivers of Arabaska, Slave and Mountain, which empty into Slave Lake are annually twice overflowed, in the month of May by the breaking up of the Ice, and in the month of August by the melting of the Snow on the Mountains. Hence then is accounted for the quantity of drift wood which Capt. Cook met with, and these could only be launched into the Ocean from Cook's River—for as I have already observed, there can be no extensive River to the Southward of Cook's River, or the River that empties out of Slave Lake, as the great Chain of Mountains approach to the verge of Slave Lake & River.

Another Proof is, that the Gentleman (from whose Chart and from whom I collected the above Information) met with two Indians who came, as they said up a River from the Northern Pacific Ocean, all the way to the Slave Lake.

They brought him in 1787 a Blanket which they received from Vessels which were at the Mouth of the River; they say that the River he was in is large to the place of Discharge and Navigable, so that if we take the Latitude and Longitude of the two Rivers, the Courses, and all the other circumstances into consideration, little doubt remains that they are the same.

In the Northern part of the Slave Lake there was a great quantity of Ice on the 15th July, 1787, and in that year the Indians from that Lake penetrated North, and where the waters ebb and flow.

At the Northern Ocean they met with and killed a number of Esquimaux Indians, which Indians are to be found only on the Banks or Boundary of the Ocean from the Labrador Coast Northward, and they are found on the whole Extent of that Coast as far North as we have any knowledge. Cook went as far North as 72 or 73 and was there obstructed by the Ice. He was there in August, my Informant tells me, that if he had been a month later, he would have met with no obstruction from Ice in that Quarter. This I believe, and at the middle of September he might have passed the Northern Coast of America, and have returned to Europe by that Rout. On the North Western Coast of America there is a large or long Point of Land that extends to the Lat. of 71 or further, and then the Coast trends South Easterly so that when you are in Long. 128 the Ocean washes the Land in the Lat. of 68½.

The Inferences that I shall now draw are,

1st. That Lake Superior lays in the first Range of High Lands between this and the Western Ocean, in Lat. 46, 47 & the waters from thence are discharged by the Rivers St. Lawrence and Mississippi.

2nd. That the waters to the Westward and Northward of the Lake up as high as Lat. 58 & Long. 124 discharge themselves by an Eastern course into York River, which empties into Hudson's Bay.

3rd. That in Lat. 58, lays the great Height of Land from whence the waters divide and run Easterly and Westerly. The former into the Atlantic and the latter into the Pacific Ocean.

4th. That the great Slave Lake is the most Northerly large piece of water before you arrive at the Northern Ocean, and that the River which rises from that Lake empties into the Northern Pacific Ocean, and is the River that Cook discovered.

5th. That an easy communication with, and an advantageous commerce may be carried on by Posts established on Lakes Slave, Arabaska, Pelican, &c. &c., and to deliver the Fruits of their commerce at the Mouth of Cook's River, to be then carried to China &c., and that as Cook's River and the Lands on Slave Lake, Arabaska &c. are very fine, some advantageous settlements may be made there which may be beneficial to Government.

The Country about Arabaska is exceedingly fine, and the Climate more moderate than it is here, which is owing to its Propinquity to the Western Ocean. The Distance is not more than 200 Leagues, if so much, on a West South Western Course. We have a Post there, as we have on the different Lakes from Lake Superior to the upper end of Slave Lake, the number of Posts is 21, in that distance where Traders are posted to trade with the different Tribes of Indians.

The distance from this Town to the Head of Lake Superior is 750 Leagues and from the Head of Lake Superior to the Great Slave Lake is one thousand Leagues, in the whole 1750 Leagues.

The person from whom I had my Information is Peter Pond, who was supplied with the proper Instruments here to take his Latitude and instructed fully in the knowledge of Astromony &c. &c. His Latitude is undoubtedly Right and his Longitude is near Right. It was taken by some Persons sent from York River seven hundred miles to the westward of it, and from thence by the Courses of the Rivers and Lakes, no great mistake can be made.

Perhaps another use might be made in time of War by this Rout, which would be to convey Intelligence to the East Indies by that Rout.

Another man by the name of McKenzie was left by Pond at Slave Lake with orders to go down the River, and from thence to Unalaska, and so to Kamskatsha, and thence to England through Russia &c. If he meets with no accident you may have him with you next year.

No. 3a.—DAVID OGDEN TO EVAN NEPEAN.

(Archives, series Q, vol. 49, p. 356.)

SIR,—Having received from my son Isaac Ogden of Quebec a letter dated 7th Novem. 1789 giving an account of a Mr. Pond's having explored the interior parts of North America, I have the honor to inclose you an extract of said Letter as the same may afford some advantageous Information to Government, which, if you think proper you will lay before Mr. Grenville.

I have the Honor to be Sir,
Your most obedt. & very humble serv.,

DAVID OGDEN.

RATHBONE PLACE, No. 50,
January 23d, '90.

No. 4.—MEMORANDUM BY ALEXANDER DALRYMPLE ON THE ROUTE FOR DISCOVERIES.

(Archives, series Q, vol. 49, p. 368.)

2nd Feby. 1790.

The season being so far advanced renders a voyage round Cape Horn *inexpedient*, I do not say *impracticable*, for admitting a Vessel to sail the beginning of March, we cannot fairly suppose less than three months to double Cape Horn, which

brings it to June, the beginning of winter in South Latitude. Allow three months more to the N. W. Coast of America. This brings it to September, which is the beginning of winter there. But altho' it is therefore an inexpédient season to proceed round Cape Horn on discovery of that Coast It admits a question whether It would not be better under the disadvantage to make the voyage *immediately* than to *procrastinate*: for altho' their arrival on the Coast of America would not be at the most proper season for Discovery, there would be some advantage in the passage round Cape Horn, for the Lion's Voyage P. 4, says it is commonly found that the winds in the winter months are favourable to go round Cape Horn from Europe and unfavourable to come out of the South Seas, and by the Journal of Winds at the Falkland Islands this opinion seems to be confirmed as the Easterly winds seem, at least, as frequent as *Westerley* in June more frequent in July.

Admitting therefore that the Vessel came upon the Coast of America so late even as October we know by experience of the Prince of Wales and Princess Royal who remained on the Coast till after the middle of Novr., that it is practicable to remain on that Coast so late, but these Vessels were at Calamity Harbour in Lat. $54^{\circ} 12'$ North and the present object of Discovery is *De Fouca's Strait* in $48\frac{1}{2}$ N. Lat., and if they can find a convenient harbour on that Coast to winter in, much progress may be made by land during the winter towards effecting a communication; and if they choose they can proceed to the Sandwich Islands & return at the early part of Spring.

But however much I may be an enemy to *Procrastination*, on any account, my opinion is that the present operation ought to be by *Hudson's Bay* in preference to Cape Horn.

The antient idea of a N. W. Passage was by the Hyperborean Sea on the N. of America, altho' I am very far from meaning any imputation on Capt. Cook's memory or abilities, I cannot admit of a *Pope* in Geography or Navigation.

It is alledged that the Esquimaux's extend to the most remote parts of the North Coasts of America. This the Language given in Cook's voyage proves incontrovertibly in western parts; and it is beyond dispute that the Esquimaux's are confined to the Sea Coasts & its vicinity; that they are not to be found where there is not a communication with the sea, is self evident from the nature of their Boats &c., & therefore the argument is almost demonstrative that there is a *Sea Communication, navigable* for their Boats, from *Labrador & Greenland* to the utmost extremity of *America & the Islands*.

Whether the Sea Communication is navigable for more than Boats, is a matter well worth examining.

Every modern discovery tends to corroborate the old reports, and in the earliest maps, long before Hudson's voyage, the Bay or Sea which bears his name is distinctly marked, tho' represented of much less dimension than it is.

In these maps a channel is represented as communicating the N. W. part of that Sea which corresponds to *Repulse Bay*, with the *Hyperborean Ocean*; and this sea communication is conformable to all the Indian Maps, which continue the Sea coast from *Churchill* in *Hudson's Bay* to the *Copper River*

Captain Meares, who was frozen up in Prince-William-Sound, remarks, that there are no *High Islands of Ice*, such as are found in *Cross-Sound* in a much lower Latitude. His inference is a natural one, that *Cross-Sound* is a Sea communication to a higher Latitude where these *High Islands of Ice* are found.

Capt. Portlock learnt from the Indians at his *Harbour*, to the *South-ward* of *Cross-Sound*, that there was a *Sea* beyond the mountains, which environ that Harbour, to the *Eastward* and the concurrent opinion, of all those who have visited the Coast for many degrees to the Southward, is that the whole is only a Range of Islands.

The opinion therefore of a N. W. Passage is strongly confirmed by the concurrence of the antient Reports, the Indian Maps, and the opinion of those who have recently visited the N. W. Coast. The only allegations to the contrary that Capt. Middleton represents *Repulse Bay* to be shut up, and that Capt. Cook & Capt. Clerk could not find a Passage by the *Strait of Anian* now called *Behring's Strait*.

Whoever looks into Capt. Middleton's Journal will, I am confident prefer the *positive testimony* of the Indian Maps, to his *conjecture*, and without controverting the Inference drawn from Capt. Cook's voyage. This can by no manner of argument prove the *Sea, from Repulse Bay round to the Westward is unnavigable.*

The many great Rivers of Asia disemboguing into that Sea which lyes on the North of It, bring down multitudes of Drifts, which will tend to congregate Ice. That Ice may be so accumulated between Asia and the opposite Coast (the extent Northward of both which is unknown) as to prevent a passage that way. But we have no Reports to indicate any considerable Rivers falling into the *Hyperborean Sea* from *Repulse Bay* to the meridian of Cross-Sound & both Mr. Hearne and the Canadian Traders represent the northern part of America as destitute of Timber.

The allegation concerning the *Bar of fixed Ice*, admitting this as a *Fact*, instead of an *Hypothesis*, as it is by some alledged to be, make nothing in favour of what it is brought to prove, for we know the sea is navigable at *Spitzbergen* to 80° N. Lat. and we have no reason to believe the Coast of the Hyperborean Sea, from *Repulse Bay* westward extends to 70° N. Lat. The Canadian Traders represent it to lye in $68\frac{1}{2}^{\circ}$ N. & Mr. Hearne only alledges it to be in 72° N. Lat. The Danes have a settlement in Davis's Strait in $73^{\circ} 15'$ N. Lat., and there is no one circumstance, either in Mr. Hearne's Journal or in the Canadian Reports, to countenance an opinion that the Country on the west of the Northern part of the Hudson's Bay is uninhabited in winter; on the contrary Mr. Hearne set out in December from Churchill, where the climate seems to be more temperate than at Albany, altho' the latter be much further to the South, and this is a strong presumption of a Sea to the Northward.

But even supposing for a moment, what is not supported by any probable inference, that the navigation westward by the North of Hudson's Bay is impracticable, then we are to consider the matter as confined to an Examination by Land.

The Canadian Traders represent the distance from Quebec to the extremity of Lake Superior to be 750 Leagues or 2250 Geographical miles, & from thence to the Great Slave Lake 1000 leagues, or 3000 more, in the whole 1,750 Leagues or 5250 Geographical miles. Altho' this distance be admitted to be greatly exaggerated, still the estimation operates equally in favour of Hudson's Bay when compared with the distance from thence.

I will suppose the distance in a direct Line may be admitted in miles instead of Leagues, because I would give the fairest computation, this gives 1750 miles, thro' a country full of falls & rapids to impede the navigation.

We shall take it however only to the Island in the Arathapescow Lake at 1350 Geographic miles.

This distance from Hudson's Bay is only 600 miles, of which above 200 is the *Chesterfield Inlet* known to be navigable. The Canadian Trader represents the *Arathapescow* Lake to extend 100' to the Eastward of the Island, Mr. Hearne 90'; and a very considerable portion of the remaining 300 miles is occupied by the *Dobaunt* and other Lakes.

By Hudson's Bay the Discoverers would profit by the information of Mr. Turnor whom the Hudson's Bay Company have sent into those parts and from whose Astronomical abilities we may reasonably expect competent Information, whereas Peter Pond's allegation (as reported by Mr. Holland) "that the *Observations* of the Latitude in his *last Journey* agreed to a *second* with the positions in his *former map*" laid down by Estimation, betrays his *ignorance* or impudence and invalidates any Reports coming from him.

Supposing some person of knowledge and veracity to be sent with him it is probable Pond would *hide* that Person as is at present alledged of a person whose merits raised his Jealousy.

It is also to be considered that Pond is a native of the United States, and cannot therefore be deemed to be attached to this Country. He also pretends to the Sovereignty of the Lands adjacent to the Arathapescow Lake, so that by encouraging him we may be fostering a viper in our bosom.

Should the Vessel be going to Hudson's Bay find no Sea communication practicable, she would return back to England by the beginning of October in time to proceed by Cape Horn, in prosecution of the Voyage on the west side, with the advantage of all that Local knowledge which their Observations and enquiries in Hudson's Bay had obtained.

I am given to understand that the Wages and Provisions for a Vessel of 120 tons & 30 men would not exceed £100 p. month, so that the expence of this attempt would be small.

The most eligible mode of promoting the enterprize would be by sending one vessel round Cape Horn without delay & another to Hudson's Bay; and the Hudson's Bay Company have expressed their readiness to co-operate with Government as the Esquimauxs on the West side of the Bay, are on Friendly Footing with the Hudson's Bay Company's Agents, some of them might probably be induced to accompany the Adventurers in their Canoes. Mr. Hearne mentions that the Esquimauxs winter at a *very great Lake*, called *Yathked*, situated to the S. W. of the *Chesterfield Inlet*, & it is not improbable they may be induced under the English Influence to accompany some of our People across those Lakes & by those Rivers which the Indian Maps represent as connecting Hudson's Bay & the Arathapescow Lake, which would obviate the objection made to the navigation from the Northern Parts of Hudson's Bay, as being a country destitute of Birch-wood for making *Bark Canoes*.

I cannot omit mentioning the propriety of having *Dogs* as a *watch*; for the Indians coming upon their enemies like a Tiger by stealth, The Alarm would be given and their Brutal Ferocity prevented.

No. 5.—ALEXANDER DALRYMPLE TO EVAN NEPEAN.

(*Archives, series Q, vol. 49, p. 379.*)

DR. SIR,—My Friend Mr. Wegg the Governor of the Hudson's Bay Company, desires me to say that the Directors of that Company have unanimously determined to send their Sloop of about 90 Tons at the Company's Expence, if Government will send a proper Person in her to examine if any outlet can be found from Hudson's Bay to facilitate the communication with the West Coast. They are particularly solicitous that Government would send a proper Person in her that the Publick may be assured of every thing being done to effect the desired purpose.

They also wish that two proper Persons may be sent by Government to travel inland to ascertain the shortest communication by the Lakes & Rivers, and The Hudson's Bay Company will defray any reasonable Expence of that undertaking.

Dr. Sir,
Very truly yrs.,
A. DALRYMPLE.

No. 52 High Street, Marylebone,
11th Feby., 1790,

No. 6.—NOTE BY ALEXANDER DALRYMPLE.

(*Archives, series Q, vol. 49, p. 380.*)

DR. SIR,—I find you were mistaken concerning D. He is a Cumberland man and not an American! I thought I recollected Stockdale had so informed me, I therefore enquired of him & find they come from the same part of that Country.

I should think Capt. F. & D. would do well for the Land Expedition to Hudson's Bay & H. and his Brother from Canada, if that Plan is still followed; I mentioned Johnstone to Wegg in the manner we agreed and shall write to day.

Yrs. very truly,
A. DALRYMPLE.

No. 7.—CAPTAIN HOLLAND'S PLAN TO EXPLORE FROM QUEBEC.

(Archives, series Q, vol. 49, p. 381.)

The following Plan strikes Mr. Holland as most Eligible for carrying into Effect the proposed Expedition for Discovering, and Exploring the Interior parts of the Northern and Western Quarter of America: Lying between Lake Aurabusquie, or Aratheskow and the Line of Coast discovered by Capt. Cook:

First. That the Party to be employed should consist of not less than sixteen Persons, including a Surveyor and Assistant: Four Men having some knowledge of Boat Building; Eight Canadians, and Two Indians, for navigating Two, or sometimes Three Canoes, in order at Times, or as occasion may require to be enabled to Detach one, on any separate work which may present itself, such as exploring Rivers, sketching in the side of a Lake opposite to that taken by the Main Party and Chief Surveyor with whom Two Canoes must constantly be stationed for fear of accidents to either; and by keeping the Duplicates, Plans, observations, Journals &c. separated less injury would be sustained by the loss.

One of the great Obstacles to impede such an Expedition, would be the want of Provisions. It will therefore be necessary that a sufficient Quantity (for at least Three years consumption) should be deposited at Aurabusquie, to be conveyed thither from the King's Stores at Fort Michilimacinae, and as our Canoes, from the smallness of their size would not be able to contain the Quantity requisite, a Party, and Canoes, might be spared from the Fort, to aid in the transporting of it to Aurabusquie; from whence our chief operations ought to commence.

The Track from Lake Superior thither being known (and an accurate survey not the object in view) all that appears necessary between those Places is the ascertaining the Latitude and Longitude of some Principal Posts in our Route; and making such Sketches as may be useful to Persons who may follow. This I presume will be all that can be done in the course of the Ensuing Summer, supposing the Party to depart from Quebec about the end of May; at which Place, and at Montreal; a Month at least will be consumed in making the necessary Preparations Prior to our Departure. Little further during the winter season can be done at Aurabusquie, than exploring the Surrounding Country; making Observations; gaining Intelligence; and preparing for pursuing our Route in Spring; which I think should be by mounting the Slave River; thence North West coasting the Slave Lake (which by Information gained at Quebec from Persons who have been in that Country) is not less than Ten Degrees of Longitude; That it discharges itself into a River which takes its course N. West, and that its Distance from thence, to Prince Williams Sound or Cook's River, does not exceed Fifteen Degrees of Longitude.

After reaching the mouth of Cook's River, or whatever other River, we may fall in with on the outset, It will be advisable to stretch along the Coast, to the South East, to observe the course of all such rivers as may appear of importance; until we shall be joined by the Party, intended to depart from Hudson's House, who I apprehend will follow the Coast to the North West, and explore the rivers in like manner until our Junction.

No. 8.—ESTIMATE OF EXPENSE NECESSARY TO EQUIP A PARTY ON AN EXPEDITION TO THE NORTH WEST PARTS OF AMERICA TO BE EMPLOYED IN EXPLORATION AND DISCOVERY.

(Archives, series, Q, vol. 49, p. 385.)

	£	s
A Surveyor at Pr Diem.....		
One Assistant at 10s. Pr Diem makes Pr Annm.....	182	10
Four men to understand Boat Building 3s. pr Diem.....	219	
Eight Canadians for navigating & Transporting Canoes, Provisions &c.....		365

Two Indians at 2s. Pr Diem.....	£
Sixteen Rations of Provisions for the above Party. The Ration consisting of: 16 ounces of Bread, 1 lb. of meat, 1 Pint of Rum.....	73
Necessary Disbursements not included in the above.....	
Astronomical and other Instruments.....	150
Indian Trinkets.....	150
Canoes, Oil Cloths, Tackling &c.....	40
Arms, Ammunition, Hatchets, Nap Sacks, &c.....	

No. 9.—LIST OF INSTRUMENTS, &c.

(Archives, series Q, vol. 49, p. 386.)

List of Instruments necessary for making Astronomical and other Observations by the party intended to cross from Canada to the Pacific Ocean. Prepared by Mr. Holland,

February, 1790.

A Transit Instrument.

A Time Piece.

Telescopes { A Refractor } of sufficient power to observe the Eclipses
 { A Reflector } of Jupiter Sattelites.

A Thermometer graduated considerably below the Freezing Point.

A Barometer constructed for measuring Heights.

A Theodolite, Azimuth and Hadley.

No. 10.—DALRYMPLE TO RIGHT HON. W. W. GRENVILLE.

(Archives series Q, vol. 49, p. 388.)

SIR,—I take the liberty of troubling you, to express how much depends on your speedy determination on the propositions of The Hudson's Bay Company, the Season drawing near for the departure of their Ships—At the same time that I wish to interest you in my own behalf, if you think my pretensions in the enclosed letter to the Court of Directors of the East India Company is founded on Justice.

I have the honour to be, Sir,

Your most obedient humble servant,

A. DALRYMPLE,

High Street, Marylebone,
 16th April, 1790.

No. 11.— A. DALRYMPLE TO EVAN NEPEAN.

(Archives, series Q, vol. 49, p. 389.)

NG. 52 HIGH STREET,

MARYLEBONE, 1st June, 1790.

DR. SIR,—I shall be very much obliged to you if you will be so good to use your influence with Capt. Holland to obtain any Latitudes (and also Longitudes if he has any) of Lake Superior.

I recollect to have heard that he had come down the Falls of St. Mary from Lake Superior to Lake Huron so that he must have been in these parts & the character he bears makes me conclude he could not have been there without making observations. I have only one position on Lake Superior from the Hudson's Bay Company, & that does not agree with D'Anville.

Yrs. truly,

A. DALRYMPLE.

No. 12.—A. DALRYMPLE TO EVAN NEPEAN.

(Archives, series Q, vol. 49, p. 390.)

7th July, 1790.

Dr. SIS,—I have not been able to get down to Whitehall since I had your note. My map is *not finished* because I *have not received* the *Latitudes &c.* of Lake Superior, you promised to ask of Mr. Holland. I think everything else is prepared. If you wish to, have a *Proof* of what is done, viz. the *West Coast* of *Hudson's Bay* without any of *Peter Ponds* or the *Canadian Parts* I will bring it to-morrow as I shall be your way. I suppose you have heard that Capt. Douglas is gone again from China to the N. W. Coast of America under *American* colours.

I was yesterday told by Mr. Raikes that the King of Sweden had made good his Landing within a small distance of Petersburg (I think 25 miles) and had repelled the Russian Troops. But I suppose this is not news to you.

Yours truly,

A. DALRYMPLE.

No. 13.—CAPTAIN HOLLAND TO EVAN NEPEAN.

(Archives series, Q, vol. 49, p. 391.)

LONDON, July 25th, 1790.

SIR,—Presuming from the advanced state of the season, that little more can be done this year towards prosecuting the intended exploration of the Interior parts of the North West of America; than in making such arrangements at Quebec during the winter as will enable us to leave that place the Instant the Ice breaks up in Spring; to effect which I conceive it of material consequence to have the necessary Instruments and other articles to be procured in this Country shipped this season for Canada, for the following reasons, That after Sunday next the 1st of August the direct communication by shipping to Quebec closes till next Spring; when from numberless impediments their arrival is frequently retarded till near the commencement of June at which time we should be near Michilimacinak. Submitting the above with all deference to your superior judgement.

I have the honour to be, Sir,
Your most devoted, most obedient
and most humble servant,

JN. F. DE B. HOLLAND.

RELIGIOUS, EDUCATIONAL AND OTHER STATISTICS.

No. 1—SUMMARY OF THE CENSUS OF CANADA, 1784.

(Archives, series B, vol. 225-2 p. 406.)

RÉCAPITULATION GÉNÉRAL du dénombrement de la province de Québec en l'année 1784.

Districts.	Hommes mariés.		Garçons.		Filles.		Domestiques.		Ablettes.		Infirmes.		Esclaves.		Arpens de terre en superficie.		Mots de semence.		Chevaux.		Boeufs.		Vaches.		Toralles.		Moutons.		Cochons.		Esquels.		Miliciens.				
	Maisons.	Femmes.	Au-dessus de 12ans.	Au-dessus de 12ans.	Au-dessus de 12ans.	Au-dessus de 12ans.	Au-dessus de 12ans.	Au-dessus de 12ans.	Au-dessus de 12ans.	Au-dessus de 12ans.	Au-dessus de 12ans.	Au-dessus de 12ans.	Au-dessus de 12ans.	Au-dessus de 12ans.	Au-dessus de 12ans.	Au-dessus de 12ans.	Au-dessus de 12ans.	Au-dessus de 12ans.	Au-dessus de 12ans.	Au-dessus de 12ans.	Au-dessus de 12ans.	Au-dessus de 12ans.	Au-dessus de 12ans.	Au-dessus de 12ans.	Au-dessus de 12ans.	Au-dessus de 12ans.	Au-dessus de 12ans.	Au-dessus de 12ans.	Au-dessus de 12ans.	Au-dessus de 12ans.	Au-dessus de 12ans.						
Ville et district de Montréal.....	9,794	9,727	4,357	11,637	3,899	10,863	4,020	304	625	212	726,703	217,703	17,825	12,036	22,579	16,620	33,238	41,806	5,968	—	14,403	—	—	—	—	—	—	—	—	—	—	—	—	—	—	—	
Ville et district des Trois-Rivières.....	1,973	2,247	912	2,874	877	2,726	676	104	118	4	214,875	39,349	3,155	1,692	5,368	3,147	10,206	6,458	1,291	—	2,803	—	—	—	—	—	—	—	—	—	—	—	—	—	—	—	
Ville et district de Québec.....	7,137	7,380	4,112	10,041	4,206	8,984	1,795	93	156	88	23,781 ⁵ / ₁₆	126,318 ¹ / ₂	9,116	8,156	16,344	12,439	41,222	22,202	3,575	—	10,863	—	—	—	—	—	—	—	—	—	—	—	—	—	—	—	—
Total	20,131	19,394	9,381	24,552	8,992	22,513	6,491	501	893	304	965,039 ⁵ / ₁₆	383,349 ¹ / ₂	30,066	22,694	44,291	32,206	84,666	70,466	10,834	—	28,249	—	—	—	—	—	—	—	—	—	—	—	—	—	—	—	—

No. 2.—LIST OF PARISHES, &c., OF THE DIOCESE OF QUEBEC.

(Archives, scries B. vol. 225-2 p. 34.)

LISTE des Paroisses et curés du Diocèse de Québec; de la quantité des diximes et du nombre des communicants ou personnes de l'un et de l'autre sexe au-dessus de l'âge de 13, 14, 15 ans, ou environ.

(LIST of parishes, and curés of the diocese of Quebec, with the amount of tithes, and the number of communicants, or persons of both sexes, above the age of 13, 14, 15, or thereabouts.)

Paroisses.	Curés.	Communi- cianta.	Dixime.	De bled.	D'avoine.	De pois.	
				Minots.	Minots.	Minots.	
Kamouraska.....	M. Trutaut.....	650	350		200		
River Ouelle.....	M. Ber. Panet.....	580	400		110		
Ste-Anne, Grande-Anse.....	M. Lefebvre.....	500	450		150	90	
St. Roch.....	M. Verreau le jeune.....	450	250		50	140	
St-Jean Port Joli.....	M. Faucher.....	200	90		50	24	
L'islette.....	M. Jacques Panet.....	450	420				
Cap St. Ignace.....	M. Paquet.....	350	200		40		
St. Thomas.....	M. Perrault.....	960	600		120	20	
St. Pierre.....	M. Bedard.....	440	550		60	10	
St. François.....		470	400		70	30	
St. Charles. R. Boyer.....		M. Sarault.....	902	600		250	160
St. Gervais.....	M. Roy, environ 100 m nots pris sur St. Charles.						
St. Valier.....	M. Garault.....	650	500		60		
Berthier.....			350	300		25	
St. Michel.....	M. Lagroix.....	800	350		80	50	
Beaumont.....	M. Berthiaume.....	300	150		65	30	
Pointe Lévi.....			500	350		160	90
St. Henri.....	M. Vesina, environ 160 minots détachés de St. Charles et de la Pt Lévi.						
Ste. Marie, Nouv. Beauce.....	M. Verreau, l'ainé.....	720	450		160	40	
St. Joseph do.....	M. Jean.....						
St. François do.....							
St. Nicolas.....	M. Griault.....	250	200		30 à 40	15	
St. Antoine.....	M. Noel.....	450	200		90	12 à 15	
Ste. Croix.....	M. Gatien.....	250	200		90	15	
Lotbinière.....			300	180		60	10 à 12
St. Jeane, St. Pierre des				280	100		50
Béquets.....	Le Père Louis.....	180	80		25 à 30		
Gentilly.....							
Becancour.....	M. Doubis.....	350	300		100		
Nicolette.....	M. Brallard.....	250	120		50	+18	
Baye du Febvre.....			270	150		60	20
St. François.....			M. Lenoir.....	200	150		40
(Le même Prêtre dessert les sauvages Abenakis.)							
Lac Yamaska.....	Père Chrisostôme.....	400	120		100	*86	
St. Hyacinth, nouvelle Pa- roisse sur la Rivière d'Ya- maska.....	M. Durouvray.....						
Sorel, île du Pas.....	M. Martel, le jeune.....	637	365	455	55	‡	
St. Ours.....	M. Porlier.....	730	750	200	80	§	
St. Denis.....	M. Cherrier.....	500	600	150	50		
St. Antoine.....	M. Gervaise.....	420	650	150	50		
St. Charles.....	M. Martel, l'ainé.....	700	800	60			
Belœil.....	M. Noizeux.....	500	450	60	20		
St. Joseph de Chambli.....	M. Mennard.....	1,200	12 à 1,300				
St. Olivier de Chambli.....	M. Picard.....						
Contrecoeur.....	M. Kimbert.....	280	250	60	25		
Verschères.....	M. Carpentier.....	900	11 à 1,200	150	60		
Varenes.....	M. Duburon.....	8 à 900	12 à 1,300	200	80		
Boucherville.....	M. Dufrost.....	800	600	200	30		
Longueuil.....	M. Demeulle.....	500	650	100	60		

‡ 10 minots de bled d'inde.

§ 25 minots de bled d'inde.

* Y compris le bled d'inde.

§ 10 minots d'orge.

No. 2.—LIST OF PARISHES, &c., OF THE DIOCESE OF QUEBEC.—Continued.

LISTE des paroisses et curés du diocèse de Québec, etc.—Suite.
(LIST of parishes and curés of the diocese of Québec, &c.—Continued.)

Paroisses.	Curés.	Communiants.	Dixme.	de bled.	d'avoine.	de pois.
				Minots.	Minots.	Minots.
Laprairie	M. Filion	800	650	440	80 à 100	
St. François Régis.	M. Gamelin	400	400	60	80	
St. Constant						
Sault St Louis	Mission desservie par Mr. Ducharme.					
Chateaugay	M. Dumouchel	350	300	70		
Soulanges	M. Denant, il dessert aussi la mission de St. Régis.					
Ile Perraut		200	180	30	20	
Vaudreuil	M. Deguire	400	360	80	25	
Pointe Claire	M. Conefroy	800	700		500	100
Ste Geneviève	M. Besson	850	650		380	130
Ste Anne	Desservie par les deux curés ci-dessus.					
Lachine	M. Gallet	300	150		100	40
St. Laurent	M. Beauzel	800	600		400	200
Sault au Recollet		450				
Rivière des Prairies	M. Fortin	340		env. 200	150	45
Pte. aux Trembles		440	350		100	40
Longue Pointe	M. Racine	320	280		150	40
St. François en l'isle Jésus.	M. Marchand	350	250		150	50
St. Vincent de Paul	M. Renager					
St. Martin	M. Lemaire	1,100	800		420	200
Ste. Rose						
Rivière du Chêne	A pris sur la Rivière du Chêne environ 200 minots.					
*Terrebonne	Frs. Perrault	6 à 700		env. 500	120	40
La Masconche	M. Foucher	700	6 à 700		200	80
La Chesnaye	Beaumont	450	300		50	30
L'Assomption		4 à 500		env. 400	60	20
L'Acadie	M. Petrimoult	2,200	16 à 1,700		300	150
Repentigny	M. Bro partage le revenu du précédent, ce qui, joint à quelque autre division fait qu'il ne reste plus au curé de L'Assomption que 6 à 700 minots.					
St. Sulpice	M. St. Germain	550	5 à 600		60 à 80	30
La Valterie		350	env. 400		75	35
St. Paul, nouvelle paroisse	M. Archambault	270	260		40	50
Lanoraie		env. 150	80 à 100		15	12
Berthier	M. Pouget	300	250		30	20
St. Cuthbert		580	350		200	50
Maskinongé	M. Catin	400	270	50	400	
Rivière du Loup	M. Rinfret	300	300	100	60	
Yamachiche	Père Petrimoult	400	500	130	80	
Point du Lac	M. Bertrand	580	500	150	60	
Cap de la Magdeleine		200	100	60	10	
Champlain		100	60	40	10	
Baptiscan		200	160	80	20	
Ste. Geneviève	M. Hnot	200	90	60	30	
Ste. Anne		380	110	90	20	
Les Grondines	M. Say	600	350	100	50	
Déchambault		200	100	90	20	
Cap Santé		350	200	100	40	
Les Ecoreuils	M. Filion	600	500	110	60	
La Pte. aux Trembles		300	120	90	40	
St. Augustin	M. Bailly	610	450	100	90	
Nouvelle Lorette	M. Beriau	580	460	130	80	
Ancienne Lorette	Mission sauvage desservie par le P. Girault.					
St. Foi	M. Delettincere	650	500	110	60	
Charlebourg	M. Deschenaux	260	125	100	25	
Beaufort	M. Borel	900	500	150	90	
L'Ange Gardien	M. Renaud	600	280	100	60	
Chateau Richer		280	220	30	40	
Ste. Anne	M. Hubert	310	300	100	40	
St. Féréol		350	260	100	40	
		presque rien.				

* Note.—Cette paroisse sera probablement divisée et celle sur le fleuve ne sera gueres que de 200 minots.

No. 2.—LIST OF PARISHES, &c., OF THE DIOCESE OF QUEBEC.—Continued.

LISTE des paroisses et curés du diocèse de Québec, etc.—Suite.
(LIST of parishes and curés of the diocese of Québec, &c.—Continued.)

Paroisses.	Curés.	Communi- nants.	Dixme.	de bled.			de pois.				
				Minots.	Minots.	Minots.					
St. Joachim	M. Corbin	280	400	300	35						
La Baye St. Paul	M. Gagnon	310	200	60	20						
La petite Rivière											
Isle aux Coudres	M. Compain	250	200	00	25						
Les Eboulements						160	100	30	10		
La Malbays										65	20
St. François isle D'ort	M. Leguerre	250	200	70	80						
Pte. Famille	M. Guichaux	350	300	80			40				
St. Pierre	M. le Coadjuteur	400	300	70			60				
St. Laurent	M. Hamel, vicaire	400	250	60			40				
St. Jean	M. Pinet	420	200	150			60				
Montréal	M. Montgolfier	3 à 4,000	4 à 500	150			60				
Villes Trois Rivières	M. Mailloux	400	env. 140	60			20				
Québec	M. Aug. Hébert*	3,000	env. 80	80			4				

*Son revenu peut être en tout de 2,500 m. par le casuel la fabrique, à ma prière, a suppléé à la modicité de son revenu, afin de payer ses deux vicaires qu'il est obligé de nourrir, et à qui il donne en outre à chacun 200 m.

Ces notices prises de celles de mes visites ne peuvent être justes à présent, et ne donnent qu'un à peu près les anciennes paroisses se sont détériorées ; les nouvelles se sont augmentées et s'augmentent encore.

QUÉBEC,
Juin 1784.

BRIAND, évêque de Québec.

DÉNOMBREMENT GÉNÉRAL de l'Etat Ecclésiastique et Communautés Religieuses de la Province de Québec en 1784.

DÉNOMINATION.

Villes.	Noms.	Séminaires.		Jésuites.		Récollets.		Prêtres Curés.	Ursulines.	Hôtel-Dieu.	Hosp. Gén.	Congrégation.
		Evêques	Prêtres.	Pères.	Frères.	Pères.	Frères.					
Québec.....	{ Monsieur Desglis..... Monsieur Briant.....	1	6	3	6	5	46	39	32	33	12
		1	1 en cure	3 en cure
Trois-Rivières.....	13	21
Montréal.....	10	1	1	2	40	32	17	48
	Total	2	16	4	7	7	99	60	64	50	60

daté Québec Le 28 Octobre 1784.

FRANÇOIS BABY,
Adjudant-Gén. de Milices.

NO. 4.—STATEMENT OF MILITIA.

(Archives series B, 225-2 p. 423.)

TABLEAU des Milices Canadiennes en la Province Québec, district de Québec.

Colonel.	Lieut.-Colonel et Adjt.-Général.	Major.	Capt.-Aide Major.	Capitaine en second Aide-Major.	Etat-Major, Enseigne, Aide-Major.	Total.	
Le Comte Dupré.....	François Baby.....	Jacques Ferras.....	Gabl. Taschereaux.....	Louis Germain.....	Jean Bte.....		
Noms des Paroisses.	Capitaines.	Capitaines en second.	Lieutenants.	Enseignes.	No. de Miliciens Mariés.	Miliciens Garçons.	Total.
Ville et Banlieu de Québec.....	Laforce..... Marcoux..... Berthélot..... Dumas..... Tremont..... Launière.....	Poumeran..... Ferrault..... Duffault..... Liard..... Picard..... Bouchel.....	Serindac..... Duval..... Turgeon..... Marchand..... Dumas..... Finguet..... Pierre Lepage.....	Bte. St-Germain Bruneau..... Dupont..... Prencont..... Chevalier..... Volant.....	819	767	1,036
Rimouaki, St. Germain..... 3 Piskoles, Reine des-anges Ile Verte, St. Jean Bte Cacouna do Rivière du Loup, St. Louis Ile du Portage do Kamouraska.....	Pierre Pinet..... Alex. Roy..... Alex. Dionne..... Joseph Boucher..... Aug. Roy..... Jean Maurin..... Franc. Duval..... J. Bte. Després..... Jh. Fournier.....	J. Bte. Grandmaison.....	Joseph Cureux..... Yrasu, Dionne..... Ignace Brucher..... Bernard Lisotte..... J. Marie Castonguay..... Charles Fortin..... Kmanuel Dupré..... Jean Bernier.....	Michel Viel..... Jean LeBelle..... Alexis Nadeau..... Jean Oudet.....	17	18	33
Rivière Ouelle, L'Assomption..... Lapencadière, Ste. Anne..... St. Roch..... Port-Joly, St. Jean..... Lillette, Notre-Dame..... Cap St. Ignace..... Ile aux Grues } St. Antoine..... Ile aux Oyes }	Michel Blay..... Louis Blay..... Jacques Thibault..... Pascal Couvain..... André Aubé..... Pierre Bouchard.....				30 159 191 133 160 87 139 101	31 84 100 64 94 63 91 78	290 297 304 260 135 286 185
Rivière du Sud. (St. Pierre. Pte. à la Caille, St. Thomas. Berthier, L'Assomption. St. Vallier.....	Pre..... Jacques Nicole..... François Menter..... Pre. Labes..... Germain Blomdeau.....				21 103 72 191 72 155	25 105 73 107 65 147	47 213 170 306 142 312

Suite du District de Québec.

Noms des Paroisses.	Capitaines.	Lieutenants.	Ensignes.	No. de Sergents.	No. de Miliciens Marés.	No. de Miliciens Gaxons.	Total.
St. Michel.....	Dom'gus Poiquin.....	J. Bte. Leclair.....		6	163	125	296
Beaumont, St. Etienne.....	Joseph Roy.....	Alexis Mignot.....		3	67	55	127
Point Levy, St. Joseph.....	Frans. Bourassa.....	Jacques Bégin.....		3	165	143	320
St. Charles.....	Etienne Bégin.....	J. Bte. Bégin.....		5			
St. Gervais.....	Joseph Royer.....	Jean Bilodeau.....		5	180	94	281
	Louis Gaussein.....	J. Bte. Perault.....		3	131	31	167
	Frans. Vercus.....	Guillaume Proval.....		5	115	38	180
La Beauce.....	Joseph Poulin.....	André Bissou.....		4	84	46	186
	Frans. Quirion.....	Jean Gagnion.....		2	55	25	84
	St. François.....	Louis Bégin.....		4	167	71	244
St. Henry.....	Etienne Frishet.....	J. Bte. Crepeau.....		3	95	39	139
St. Nicolas.....	Louis Côté.....	Etienne Lambert.....		4	104	57	167
St. Antoine.....	Ant. Hamel.....	Jh. Simon Houle.....		4	96	46	107
Lotbinière.....	Jean Leclair.....	Fr. Bellanger.....		4	58	52	156
St. Jean Dechallion.....	Joseph Laliberté.....			2	28	15	46
Grossines.....	Joseph Hamelin.....	René Frasier.....		2	45	30	79
Deschambault.....	Pierre Grolaer.....	Joseph Noël.....		4	103	42	151
Cap-Sainté.....	Pierre Mercure.....	Pierre Lapare.....	François Page	5	140	69	217
Ecureuils.....	Jacques Delisle.....			2	82	42	127
Pointe-aux-Trembles.....	Jacques Garnaud.....	Louis Gingras.....		4	109	76	191
St. Augustin.....	Augt. Gingras.....	Joseph Girard.....		4	156	112	278
	Frans. Canté.....	Prisque Goulette.....		2			
Ancienne Lorette.....	Charles Norau.....	Ignace Govin.....	Joseph Allin.	4	165	115	287
Ste. Foi.....	Antoine Sanson.....	Pierre Hamel.....		2	52	37	93
	Jacques Jobin.....	Jean Trudel.....		4			
	Raphael Giroux.....	Jean Bte. Bellanger.....		2	281	177	472
Charlesbourg.....	Louis Lheureux.....	Jacques Barbeau.....		2			
Beaufort.....	Paul Rainville.....	Jean Garnaud.....		5	129	82	218
	Michel Huot.....	Philippe Trudelle.....		2	53	66	123
	Joseph Casseau.....	Ignace Gravel.....		3	61	50	116
Côte Beaufort.....	Frans. Lessar.....	Ignace Giguère.....		2	52	62	118
	Joseph Gagnion.....	Frans. Tortin.....		2	52	48	104
	Joseph Paré.....			1	31	25	58
Petite Rivière.....	Jean Bte. Fortin.....	Michel Lavoix.....			21	28	51
Baye St. Paul.....	Jean Bolly.....	J. Bte. Ménard.....		4	141	99	246
Eboulements.....	Jean Frs. Tremblay.....	Louis Tremblay.....		1	45	45	93
Ile-aux-Coudres.....	Zacharie Harvé.....	Jh. Bonnar Dufour.....		3	49	48	102

Suite du District de Québec.

Noms des paroisses.	Capitaines.	Lieutenants.	Enseignes.	No. de Sergents.	No. de Miliciens Marins.	No. de Miliciens Garçons.	Total.
(St. Pierre.....	Prisque Plante.....	Pierre Furland.....	Joseph Gosselin.....	3	73	61	140
Ste. Famille.....	Pierre Deblais.....	Étienne Drouin.....	Étienne Giguère..	3	65	51	122
Ste. François.....	Joseph LePage.....	Jacques Guénard.....	2	50	19	73
St. Jean.....	Louis Gimais.....	François Pepin.....	3	80	42	127
(St. Laurent.....	Louis Bouleau.....	Fr. Labreque.....	2	59	57	120
Total, Etat-Major, &c.....	63 en second 7.....	60	15	219	6,181	4,312	10,863

No. 5.—RETURN OF INDIANS.

(Archives Series B. 225-2, p. 393.)

RETURN of the Indians in the District of Quebec, 1st July, 1783.

Villages.	Chiefs of the Villages,	Chief Warriors.	Messengers.	Warriors.	Women.	From 6 to 12 years.		From 3 to 6 years.		Children.	Total.
						Boys.	Girls.	Boys.	Girls.		
Cochawaga	2	18	8	139	202	64	49	39	30	61	612
Lake Two Mountains	2	29	24	169	266	65	51	61	57	24	754
St. Regis	20	9	100	134	22	27	22	21	22	22	380
St. Francois	6	2	103	149	17	17	10	11	24	342	
Lorrette	2	2	23	42	11	4	9	2	3	103	
Oswegatchie	6	2	26	39	8	2	7	1	8	101	
Carleton Island	2	6	3	184	230	32	36	21	26	42	582
Total	22	87	48	749	1,062	219	186	160	148	184	2,874

(Signed) JOHN CAMPBELL,
Superint. &c., Indian Affairs
within the Province of Quebec.

No. 6.—STATE OF RELIGION IN CANADA.

(Archives, series Q, vol. 49, p. 343.)

At the *Settling of the Peace in 1762* it was represented to Government that there were a vast number of French Protestants in Canada, for whose benefit it would be proper to send out Clergymen who could preach in that language, though in reality the number was very small, and the English Protestants were ten times as many, and about two years ago amounted to 6,000, and upwards. Accordingly three clergymen with a stipend each of £200 a year, were sent out to their respective Parishes of Quebec, Montreal and Trois Rivières, viz.: Mr. DeMontmollin, Mr. DeLisle and Mr. Viziere. About 6 years ago, a Mr. Geary went over for one winter, with the same salary, but came back to England.

And last year the Revd. Mr. Toosey, who has two Livings in Suffolk, was sent in his room, without being appointed to any settled place wherein to officiate as a clergyman.

These are all the clergy in that extensive Province, except the Revd. Mr. Stuart and Mr. Doty the Society's Missionaries; lately placed, the one at Catarqui, and the other at Sorrell, with a salary of £50 a year from the Society.

The neglect of church duty appears from repeated accounts sent to the Bp. of London, and the Society, to be most shameful.

There is not a single Protestant Church in the whole Province.

The French Minister at Quebec, a reformed Jesuit cannot preach in English, and is very negligent in his duty.

The Minister of Trois Rivières is a most dissolute character. He was formerly a Recueille [Recollet] monk at that place, quarrelled with his Abbot, and then got ordained here in England, and went back the Protestant Minister of that place, where he never does any duty at all.

The Minister at Montreal (who is also Chaplain to the Garrison) when he does officiate, it is in the Chapel of the Recollects Convent, on Sunday mornings only, and on Christ-mas day & Good Friday.

The paucity of French hearers hath so far set aside divine service and preaching in French, that the Society have credible information, that for four years together not 4 sermons were preached in that language. The evening service is never performed, and the Sacrament of the Lord's Supper not administered above 3 or 4 times in a year, at Montreal; not so often at Quebec, and not at all at Trois Rivières.

Catechizing is unknown in that country.

The ill effects of this neglect are very obvious, and have been severely felt.

The greater part of the Inhabitants at Montreal are Presbyterians of the Church of Scotland. These, being weary of attending a Minister, whom they did not understand, & for other reasons, have established a Presbyterian Minister, and subscribed liberally to his support. His name is Bethune, and he was late chaplain to the 84th Regiment, & while Mr. Stuart assisted Mr. DeLisle (which he did for a short time) he used constantly to attend the Service of our Church.

Had a worthy Clergyman of our Church settled there, this had been prevented.

There are two schools, to each of which a salary of £100 a year is allotted by the Government, the one at Quebec and the other at Montreal. The Schoolmaster's name at Quebec is Tanswell.

The Revd. Mr. Stuart had the School at Montreal for a short time (after his flight from Fort Hunter where he was Missionary) until, about 2 years ago the Govt. thought proper to take half the salary away and divide it between a Mr. Fisher and a Mr. Christie, both Presbyterians. The latter turning profligate, absconded, and the Govt. took that opportunity of giving £25 to a schoolmaster recommended by Joseph Brant, at the New Indian River, name unknown.

But, besides the division of the Salary, there is neither a schoolhouse nor Land appropriated, nor Trustees appointed, nor any Regularities made respecting the application of the £100 salary.

The Inhabitants are opulent and generous & only want a proper person to place and establish a Seminary. In that case, the Income cannot fail of being considerable. The prices for Tuition have been for Latin half a guinea, for English and Arithmetic 2 dollars per month. There is not an English School in the place.

Such was the State of Religion in Canada till the Society sent the two forementioned Clergymen.

The first, Mr. Stuart, is missionary at Cataraqi and to the Mohawks at the Bay of Kenti; and Mr. Vincent is the Society's Schoolmaster there. Mr. Stuart is to divide his time, betwixt the Mohawks & the New Settlements of Loyalists, for which his allowance of £50 is inadequate.

It is hoped, therefore, that Government will make an addition to it, & also appoint Mr. Stuart Chaplain to the Garrison at Cataraqi, and give instructions to the Governor, to allot a Glebe, & to erect a Church & Parsonage-house and also a School-house, with a Salary & Land.

The same is desired respecting Mr. Doty at Sorrel (except that there is no Garrison there).

A Missionary is wanted also at Johnstown, 36 miles above Coteau de Lac, with the assistance of Government.

There are Loyalists settled from Cataraqi as far as the Indian Boundaries, where a Clergyman may be of use, & they desire one.

There are 44 families of the Church settled at Oswegatche where a Mr. John Bryan at present officiates.

There is a Settlement likewise of the Six Nations at a Village upon the Grand River, 40 miles above Niagara, who stipulated with General Haldimand that Government should build them a church & furnish them with a Minister & Schoolmaster.

Sir J. Johnson has already established the latter & pays him. (Note, there was not a resident Clergyman at Niagara during the whole war).

The Society would find a Schoolmaster at Montreal, if put upon a proper Establishment.

As Mr. Toosey has no fixed employment, and is an Englishman, might not he be directed to officiate either at Quebec or Montreal, or Trois Rivières, where it is presumed that Churches ought to be built?

According to this Representation, there will be wanted at least three more English Clergymen, for which there must be an assistance from Government, in addition to the Society's. It is hoped that, as it was in the first sending out Ministers to Nova Scotia Government will make an allowance to such Ministers as may go from hence, and find them a passage.

No. 7.—ECCLESIASTICAL STATE OF CANADA.—CATHOLIC AND
PROTESTANT.

(Archives Series Q, vol. 49, p. 350.)

www.libtool.com.cn

TABLE A.

CATHOLIC.

BISHOPS.

Mons. Briand, retired.
" Hubert, acting.
" Bailly, coadjutor.

VICARS.

Mons. Montgolfier.
" St. Onge.
" Gravé.
" Brassier.
" Durant.
" Plessis, Secretary of Ye Diocese.

SEMINARY OF QUEBEC.

Mons. Gravé, Superior.

Directors.

" Bedard.
" La Haille.
" Burke.
" Robert.
" Roy, procureur or Atty.
" Boissonneau, professor.

SEMINARY AT MONTREAL.

Mons. Montgolfier, Superieur.
" Brassier, Vice Superieur.
" Poncin, Directeur.
" Guychart, Missionary to the Algonkians at
Lake of 2 Mountains.
" Dezery, Official curate.
" Guillemin.
" Marchand, principal of College.
" Borneuf, Procureur.

Mr. Le Clerc, Missionary at Ye Lake of 2 Mountains.
" Hubert.
" LeClerc, Professor of Philosophy.
4 Ecclesiastics for humanity and Learning.

Mons. Archambault.
" Bedard.
" Chaboillez.
" Parent.

MONTREAL PARISH VICARS.

Mons. Poulin de Courval.
" Keller.
" La Motte.
" Bedard.

RECOLLETS AND FRANCISCANS.

Mons. Berry, Provincial Commissary.
" Demers, Super. at Montreal.
" Patrimoult, Montreal Convent.
" Dugast, Missionary at Yamaska.

JESUITS.

Mons. Girault, Superior.
" Well at Ye College at Montreal.
" Casot, Procureur.

CURATES AND MISSIONARIES OF YE DIOCESE.

COUNTY OR DISTRICT OF QUEBEC.

NORTH of the River St. Lawrence.

CITY.

Mons. Hubert, Parish Vicar.
" Vidal do
" Pacquet do

Mons. Corbin serves St. Joachim.
" Guillard serves St. Anne.
" Hubert serves Chateau Richer et Ange Gardien.
" Renaud serves Beauport.
" Derome serves Charlebourg.
" Descheneaux serves Lorette.
" Beriau serves St. Augustin.
" Bailly, coadjutor, Pointe aux Trembles.
" Begin, coadjutor, Vicar.
" Hubert serves Les Ecoreuils.
" Fillion serves Cap Santé.
" Labadie serves Deschambault.

SOUTH OF THE RIVER ST. LAWRENCE.

Mons. Fortin serves Lotbiniere and St. Croix.
" Marcheteau serves St. Antoine and St. Nicholas.
" La Motte serves St. Joseph and St. François.
" Dubord serves St. Marie.
" Vesina serves St. Henri.
" Berthiaume serves Pointe Levi.
" Sarault serves St. Charles.
" Minotte serves St. Gervais.
" Deguise serves St. Michel.
" Gareau serves St. Valier.
" Landriau serves Belle Chasse.
" Compain serves Beaumont.
" Verreau serves St. Thomas.
" Bedard serves St. François, Rivière du Sud.
" Chauveaux serves St. Pierre, Rivière du Sud.
" Paquet serves Cap St. Ignace.
" Panet serves L'Illet.
" Faucher serves St. Jean Port Joli.
" Verreau serves St. Roche.
" Lefebvre serves St. Anne.
" Panet serves Rivière Ouelle.
" Truaut serves Kamouraska.
" Paquet serves Isle Verte, Rimouski, Trois Pistoles, Madawaska.

CONVENTS OF NUNS AND FEMALE COMMUNITIES.

General Hospital at Quebec.
Founded 1693 for the sick in Body and mind.
Catherine Noyau, Superieure. Nuns, 41

General Hospital, Montreal.
Founded in 1753 for sick and poor.
Therese Le Moine de Pins, Superieure. Nuns, 18

Hotel Dieu at Quebec.
Founded in 1636 for Sick and Poor.
Mary Gen. St. François, Superieure. Nuns, 30

Hotel Dieu at Montreal.
Founded in — for Sick and Poor.
Gab. Louisa D'aille Volett, Superieure. Nuns, 30

Sisters of the Congregation de Notre Dame.
Founded in — for tuition of girls.
Marie Bayienne, Superieure. Sceurs, 57

Ursulines of Three Rivers.
Founded in 1697 for Instruction and for Sick and Poor.
Ursule Baby, Superieure. Nuns, 19

Ursulines at Quebec.
Founded in — for Instruction of Girls.
Marie Charlotte Brassard, Superieure. Nuns, 38
Nuns, 233

TABLE B.

Mons. Bourg Missionary to Acadians and Indians at Chaleurs Bay.
" Jones Supt. of Mission in Nova Scotia.
" Power } serving under Mr. Jones.
" Phelan }
" Le Roux Missionary to the Indians in the Bay of Fundy.

MONTREAL DISTRICT.

NORTH of the St. Lawrence.

ISLAND OF MONTREAL :

Mons. Perreault serves Parish St. Laurent.
" Racine serves Poin.e aux Trembles.
" Girouard serves Long Pointe.
" Ecuier serves Pointe Claire.
" Dumouchel serves St. Geneviève.
" Prevost serves Sault au Recollet et la rivière des prairies.

ISLE JESUS :

Mons. Marchand serves St. François de Salles et La Chenai.
" Chenet serves St. Vincent de Paul.
" La Maire serves St. Martin.
" Gallet serves St. Rose.

Mons. Mailton serves Rivière du Chêne.
" Carinave serves Isle Perreault, St. Anne.
" Brunet serves Soulange.
" Deguire serves Vaudreuil.

66—G $\frac{1}{2}$

ON THE NORTH SIDE OF THE DISTRICT.

Mons. Delorimier serves St. Cuthbert.
" Pouget serves Berthier.
" Perreault serves Lanorai et La Vallerie.
" Serand serves St. Paul.
" St. Germain serves St. Sulpice and Repentigny.
" Petrimoult serves St. Pierre de Portage.
" Bro serves St. Jacques.
" Forges serves St. Roc.
" Foucher serves St. Henri de Maskouche.
" Royteux serves Maskouche de Page.
" Beaumont serves Terre Bonne.
" Hubert serves Blairville.
" ——— Batiscan.
" ——— Cap Madeleine.
" Abry serves St. Geneviève.
" Morin serves St. Anne et Grondines.

South Side of the St. Lawrence :

Mons. Massue serves St. Pierre, St. Jean et Gentilly.
" Dubois serves Bécancour.
" Brassard serves Nicolet.
" Archambault serves Bay de Febvre.
" Le Noix serves St. François et les Abenakies.

Mons. Brougier serves Chateauguay.
" Ducharme serves Sault St. Louis & Lachine.
" Genest serves St. Philippe.
" Lanets serves Blairfindie.
" Griault serves Prairie de la Madeline.
" Denault serves Longueil.
" Comfroy serves Boucherville.
" Duburon serves Varennes
" Carpentier serves Vercheres.
" Jean Contre Cœur.
" Durantay serves St. Hyacinthe.

ON THE CHAMBLÉ.

Mons. Menard serves St. Joseph & Chamblé.
" Picard serves St. Olivier.
" Noireux serves Bekeil.
" Martel serves St. Charles.
" Cherrier serves St. Denis.
" Payet serves St. Antoine.
" Boucher serves St. Ours.
" Martel serves William Henry & Isle Dupas.

DISTRICT OF THREE RIVERS.

North of the St. Lawrence.

Mons. Rinfret serves Maskinongé.
" Bertrand serves Rivière du Loup.
" Hombert, serves Yamachiche.
" Gagnon serves Pointe du Lac.
" Bleury serves Trois Rivières.
" Huot serves Champlain.

DISTRICT OF HESSE.

Mons. Dufaux } Détroit.
" Fréchette }

LUNENBURG.

Mons. MacDonell, Rod. St. Regis.
 " MacDonell, Alex., Oswegatchie.

www.libtool.com.cn

PRIESTS NOT NOW EMPLOYED:

Mons. Noël formerly curate of St. Antoine de Tilly.
 " Gagnon formerly curate of Paul s Bay.
 " Leclerc formerly curate of Rimouski, etc.
 " Hamel, formerly curate of St. Pierre on Ye
 Isle d'Orleans.

PROTESTANT CLERGY.

Episcopal or English Church.

	Salaries.
Mr. De Lisle, Montreal.....	£ 200
Tunstall.....	100
De Montmollin, Quebec.....	200
Toosey.....	200
Veysiery, Three Rivers.....	200
Doty, William Henry.....	100
Stuart, Kingston.....	100
Bryan, Cornwall.....	50
Langhorn—near Kingston Missionary from Ye Society for propagating Ye Gospel with £50 and from Government £100.....	150

Church of Scotland.

Messrs. Henry & Spark, Quebec, Bethune, near Oswegatchie.....	50
	£1,350

RECAPITULATION.

Bishops.....	3
Priests.....	146
	149
General Hospital at Quebec Nuns.....	41
" Montreal.....	18
Hotel-Dieu Quebec.....	30
" Montreal.....	30
Sisters of Congregation.....	57
Ursuline Nuns at 3 Rivers.....	19
" Quebec.....	38
	233
	382
Catholic Religions.....	382
Protestants.....	11

TABLE C.

PROTESTANT SCHOOLS.

Schollars.	Quebec.	Salaries.
25	Tanswell.....	£ 100
18	Fraser.....	
32	Keith.....	
53	Jones.....	
11	Serjeant.....	
41	Borrows.....	
195		
	Montreal.	
42	Fisher.....	£ 50
48	Nelson.....	
39	Bowen.....	
17	Gunn.....	
146		
	Three Rivers.	
11	Brown.....	
15	Morris.....	
26		
	William Henry.	
17	Bisset.....	
	Gaspé.	
	Hobson.....	25

SCHOLLARS IN PROTESTANT SCHOOLS.

at Quebec.....	195
Montreal.....	146
Three Rivers.....	26
William Henry.....	17
	384

No returns yet made up of Ye Protestant Schools in
 Ye Counties of Gaspé, Lunenb'g, Mechlenburg,
 Nassau and Hesse.

SCHOLLARS IN CATHOLIC SCHOOLS.

Seminary of Quebec.

Pensioners & out pensioners.....	95
Seminary of Montreal.....	91
	186
at Vaudreuil Hesse:	
Reading School.....	78
Writing School.....	86
	164
	350

NOTE C.
VERMONT NEGOTIATIONS.

No. 1.—GOVERNOR SIMCOE TO MR. DUNDAS.

(*Archives, series Q, 278 p. 259.*)

August the 2nd 1791.

SIR,—As I understand from Mr. Levi Allen of Vermont that He is in expectation of being admitted to an interview with you, I conceive that it will not be disagreeable to you if I take the Liberty of communicating to you those circumstances with which I have been acquainted relative to his former transactions with Lord Grenville; and some few observations which I flatter myself may give you some insight into his views, preparatory to such conversation as you shall think proper to hold with him.

Mr. Allen as commissioned under the great Seal of Vermont presented a Memorial to the Committee of Privy Council on the 13th June 1789, Stating the wishes of Vermont to form a commercial intercourse with this country, a Similar Memorial having been presented to the Secretary of State, upon Ld. Grenville's Requisition. The Lords of the Committee of the Privy Council for trade made a report upon it, full of information on the 17th of April 1790: a twelvemonth having nearly elapsed since the original Report had been presented. In the *first* conversation that I had the honor to hold with Ld. Grenville on Canadian matters, I took the Liberty of pressing upon his Lordship the necessity of cultivating the good disposition of Vermont, of whose importance his Lordship seemed to have formed a just value by having already transmitted Allens Letter for the Opinion of the Privy Council; & I then told his Lordship that totally unapprized of the goodness He had to think of me for the Government of Upper Canada, & unconnected with his Majesty's Ministers, I had come to town with the determination to do my utmost in support of an Object which seemed to have been hitherto unattended to (insomuch that Allen was about to depart) but which I had always considered of the greatest consequence to this Country. The appearance of the Spanish War added to the propriety of forming this mutual connection, and I waited on Ld. Grenville with Mr. Allen, his Lordship gave him a hundred pounds, which Allen received as his annual compensation for Losses as a *Loyalist* which He affirms himself *uniformly* to have been, & in consequence to have suffered a long Imprisonment to the *destruction* of his *property*.

The Misfortunes of the British Army to the Southward prevented Vermont from joining Great Britain as is evident from the correspondence in your office between the Allens Gen'l. Haldimand & Sir H. Clinton.

This province has now two separate Interests: That part which borders on the North River naturally wishes for a connection with New York; Robinson the late Governor is the Chief of this description of men: the other, by far the Larger Division, & what is of more importance, unlimited in its Lands, & therefore hourly encreasing in its population, from the circumstance of their waters flowing into the St. Lawrence is naturally disposed to a connection with Canada; of this Party are the Allens & Chittenden, at this moment (as L. Allen believes) The Governor; and who the Past year excepted has been the Governor of this powerful State from its commencement. Levi Allen's first mission was to Lord Dorchester: his Lordship opened the Trade to Vermont, except in some few particulars, at the same time he did so, to all the Inhabitants *without distinction* who lived upon the shores of the Lakes.

Levi Allen came to London; He wished the Trade to be further enlarged, & some inconveniences under which it laboured to be done away.

He told me that Commerce was the "opening wedge" by which G. Britain could work upon & command Vermont; & in the Spirit of the expression, & with undissembled Intentions, fully as ambitious in the point of honor, as they were self interested in that of Commerce. He was anxious to return to Vermont directly, unconnected with the Canada Merchants, & independent of them, with a cargo suited to the market, that He might make a display of his services, & of the Commercial advantages that He had obtained & might strengthen by these means his family interest & connections & prevent Vermont from listening to the overtures of Congress.

Among others, I gave him some credit & procured him more, but his voyage was delayed by his hands being pressed, & other mishaps; so that he could not reach the Sorrel; but bore away for Georgia. He is returned with a sufficient cargo to pay his debts, but unfortunately, at present there being little vent for that commodity, He has been obliged, to warehouse it at Liverpool.

I think it proper to submit this succinct account to you; to which I add that I have an opinion of his Honesty; & that I have no doubt, but that his Brother Ira Allen (Ethan being dead) is of the same sentiments that I believed him to have been of during the War. "That a neutrality was the proper policy of Vermont, but that if she could not preserve it her interest lead her to join Canada."

Since Levi Allen's absence an alteration has taken place in the affairs of Vermont, Chittenden suddenly lost his election, & Robinson was chosen Governor; & it is affirmed that Vermont has joined Congress. Allen says, that it was by surprize and accident, that Robinson obtained the Government that Chittenden is now rechosen, & that He believes Congress has resolved to admit Vermont into the Confederation, but that Vermont has not yet decisively resolved to join Congress. This seems to be matter of conjecture tho' not without probability; perhaps Government may have better information on this head. Allen states, That the meeting of the Assembly of Vermont is in October. That he wishes to be present at it, altho' he should fail in what seems to be the great object of his ambition, He being able by a Cargo, directly imported from this Country to exemplify the advantages of a Commercial Intercourse.

By the admission of Vermont & Kentucky, there are now fifteen States in the Alliance, & I beg leave to offer a few remarks why in my opinion a connection with each of these new States, is more necessary & profitable to G. Britain than with any other separate State of the whole Confederacy. The original United States passed the Zeniths of their power, almost, at the moment of their Existence. This was effected partly by the British Acts of Parliament which restricted their West India Trade, but chiefly by the immense Emigration which took place to the Southward, wasting their Strengths at the present, & offering at no very distant period natural Allies to those who shall command the Mouth of the Mississippi, or be in possession of the Chain of Lakes which stretch themselves out parallel to the Line of Emigrations.

Vermont has grown and is daily growing into great strength, her position in the Neighbourhood of Quebec leaves that province absolutely at her mercy. She can strike at the ill fortified Capital, or cut off all the Communications of the St. Lawrence as she pleases, on the other Hand, in Alliance with Canada, she presents a formidable Barrier of Mountains, which are impregnable fences against the United States.

Kentucky has not so many advantages in a military view for offence or defence, but in case of a rupture with Spain her alliance would be of the utmost importance,

The Committee of the Privy Council in their Report of April the 17th 1790 state, that the Eastern States of America wish to admit Vermont, & the Southern States, Kentucky into the Confederation as reciprocal Ballances.

The United States are certainly divided in Interest, & the British connection with them stands upon that footing, which requires great circumspection. The Commerce of the Southern States is an immediate advantage; The Power of the Eastern an Object of future apprehension & caution. Vermont & Kentucky have certainly separate & distinct interests from either; with the Southern States; they

cannot export their Commodities by means of the Atlantick; nor with the Eastern can they be injured by the carrying Trade being in the possession of Great Britain.

It is upon the ground of these separate Interests (even supposing Mr. Levi Allen's Ideas that Vermont has not finally joined Congress to be ill-founded) That I humbly conceive He may yet be of important Service; & Sir, I have intimated as much to him. I do not conceive it to be probable that Vermont can have submitted to participate in the present Debt of the United States, but it is reasonable to presume that in case of her admission into the alliance, she may have agreed to pay a certain portion to the Expences of the federal Government now; It is of the utmost Importance to G. Britain that she would not upon any account suffer imposts to be laid upon British Manufactures, or permit duties arising from them to be collected on her *Lakes* or *Rivers* for the use of Congress. The result of such a determination on the part of Vermont would be, that she would become the storehouse for Smuggling all British Commodities into the Eastern States, facilitated by the Speedy means of transporting them in the Winter over the Snow upon Sleighs, and by this very traffic Vermont would gradually alienate herself from the governing Powers of the Congress, and rivet more strongly her natural connections with Canada. I also intimated to Mr. Allen that as the United States are divided in their Sentiments upon commercial matters into two parties, the Representatives of Vermont must give her decided voice with the *Southern States* who are against laying any duties & further Imposts on the British Commerce, as G. Britain tho' she should have the utmost regard for Vermont now that State has joined the Alliance cannot probably make any distinction if she shall be obliged in her own defence to retaliate by duties & prohibitions.

These points, at the least, I should think the Allens &c. &c. might carry; & the voice of Vermont directed by its own Interest and that of Great Britain against The general opinion of the Eastern States.

The example would have great influence on that connection which It is hoped we shall obtain with Kentucky, (The majority of whose Inhabitants I have authentic Intelligence are averse to the union with Congress) & not only so, but on all those Settlers on the Rivers which flow into the Lakes & who may be taught to reject as unconstitutional and oppressive every Idea of such federal duties being levied upon them as are raised on the Inhabitants of the Sea Coasts.

Mr. Allen does not know how far the Government of Canada has been directed to accede to his former requisitions; nor does he press them. He seems inclined to wish them to be reserved as a Boon to cement that connection which is his favorite Object.

I have thus, Sir, endeavoured to state to you the views of Allen; and I must beg of you not to be prepossessed against him from his uncultivated appearance. The Family are remarkable for their sound sense, & spirit of enterprize; & the prejudices which have been excited against them principally rose from the misrepresentations of the N. Yorkers. I have endeavoured to explain Allen's commercial Object & the publick advantages to which it may lead. He has lately received his pension; He would not be too late even now, for the Sorrel with merchandize, but He cannot afford to risk the demurrage of the Vessel. I submit to you whether an advance on his Pension or some other means might not be of Essential Service in enabling him to carry his Points, & appear with consequence among his Country men at a Critical Period? I have not intimated in the *slightest manner* any such idea to him. Yet, as I can never but be of opinion that Great Britain is not for a moment secure of Canada, in its present weakness, unless she has firm friendships with Vermont, I am sure that you will have the goodness to pardon my zeal in seizing every means to promote the great cause in which my whole Heart is engaged; & in this principle, will read with a favoable eye the circumstances & Opinions which I have felt it my duty with all deference to submit to your consideration, being with true Respect,

Sir, your most obt. & most Humble St.

J. G. SIMCOE,

No. 2.—LEVI ALLEN TO GOVERNOR SIMCOE.

www.libarch.com.au
(Archives, series Q, vol. 278, page 55.)

VERMONT UNION RIVER,

Novemr. 19, 1791.

I arrived at Halifax in 27 days, the next morning sailed for Boston, arrived there the sixth day, and the third day reached Windsor in Vermont, the place of the Annual Session of the General Assembly, a few days after they had convened; and to my great Mortification found there had been an adjourned Session of the General Assembly held about six months previous, to the then stated term, and that previous thereto there had been a convention of deputies from each Town, at which convention, & after confirmed in the adjourned Session of the Legislature, the Junction with the United States had been fully completed. I remained at the Genl. Assembly until the close of it (Twenty one days) during which time found, if the Junction aforesaid had not been fully completed, the same might have been prevented; but recollecting Mr. Nepean directed me in case the Junction was actually settled, by no means to interfere; yet I could not but talk occasionally on the Subject and set forth in Strong Vermont Language, the great advantages that would have accrued to Vermont had they remained as they were;

The Truth of which was acknowledged by a great Majority of both Houses, & almost all condemned the measure as premature, aledging that if they in future found a necessity of joining Congress, it was time enough to join when that necessity appeared, & that they felt themselves much hurt that a set of designing knaves merely to obtain places of Honour and profit, should lead the State by the nose blindfold to perpetrate an act to the disgrace of the Legislature, subversive of the Interest of the State, & for which Posterity would have cause to curse them. Further, I beg leave to observe my whole dependance was and I certainly knew the Legislature of Vermont met only the 2d Thursday in October annually, as by Law established, except by adjournment or a Special Assembly, or some Emergency called by proclamation of the Governor for the time being, with advice of Council, and I am amazed that the Secretary of State nor any one in England had no information of the Convention, or adjourned Session of the General Assembly in Vermont, tho' both had been convened six months before I left England.

I am fully satisfied if I had arrived last year with the well chosen assortment of goods agreably to the original plan, Vermont would not have joined the Union, at least would have been procrastinated, which would have amounted to the same thing, for if the matter had not been done at the time in the manner it was hurried on, the same would not have taken place ad infinitum. The goods coming through Canada directly from the manufacturers in England and sold cheap in Vermont would have opened the eyes of the people, more than all the wise learned men of Europe would have done by Logical Oration. The facts were General Ethan Allen being dead Ira Allen Esq. thro' his cursed lucrative Ideas was afraid of loosing Lands adjoining Canada Line, Therefore was silent, a number wanted to go to Congress & tho' four only would be sent yet 44 at least expected the appointment, all their Influence & oratory was not sparingly scattered over the State; Governor Chittenden tho' really opposed to the measure, thought it unpopular to oppose it, so poor Vermont had not one of any considerable consequence to say a word for her real Interest, (in popular Governments the Governor is a Cypher). I am grievously disappointed, & shockingly mortified, that after so many of the leading & realy the first men in and out of Office in the State, should previous to my going to England, give me such strong assurances, they never would join Congress; but on the Contrary would wish to become a British Province; and then without the least appearance of any necessity whatever suffer the Junction to take place, without the least opposition.

Instead of writing this long letter, under my disappointment I should set off for Quebec in order to have a personal Interview, but your orders to me in England were to the contrary, which orders as any other I may receive from time to time, shall be punctually attended to, the same as tho' I was on Military duty under your Immediate Command.

Endorsed :—In Lt. Gov. SIMCOE'S (No. 4) of 16th Feby 1792.

No. 3.—GOVERNOR SIMCOE TO MR. DUNDAS.

(Archives, series Q, vol. 281-1, page 266.)

(Private.)

NAVY HALL, August 5th 1794.

SIR,—Having a safe opportunity by Captain Vandeleur I can not resist offering to you the enclosed communication which I received thro' the Secretary of this Province, Mr. Jarvis, from the Governor of the State of Vermont and which I have formerly transmitted to Lord Dorchester.

Many paragraphs have of late appeared in the New York papers intimating that the Inhabitants of Vermont are disposed to commence Hostilities against Canada.—some very respectable people of Vermont were with me when I received such News Papers; who without hesitation affirmed that they were fabricated by the People of the State of New York, that they did not contain the sense of the People of Vermont but were meant to stir up enmity between the British Government and the Vermontese.

I enclose to you a News Paper that has lately fallen into my hands and which contains some paragraphs that evidently are of such a texture and fabrication.

I cannot but deplore that means have not been taken to discriminate the foundation on which the Proprietors of the Lands in Vermont are at issue, with the Proprietors of Lands in Canada from the general and more extensive Principle on which Great Britain retains the Jurisdiction, of certain territories, which surround those Posts; the evacuation of which has been suspended untill the Treaty of 1783 shall be satisfactorily completed.

The Distinction, before I left England, I did myself the honor of remarking to you, Sir, and enforcing the policy of an immediate settlement of this Contention. The Proprietors of Vermont must inevitably be now forced to shelter themselves under the right that State has to assert its Jurisdiction for the recovery of those Lands; which Jurisdiction they probably would not have concerned themselves about, could they from any Quarter have received their profits and on the side of Vermont, Great Britain is engaged in a dispute, almost inveterate, which has not for its basis a National cause, but originates from an unjustifiable grant of the Canadian Government, which could not have been supported, had not the Revolution taken place, and the State of New York, and New Hampshire, been separated from Great Britain.

There are Sir abundant proofs in your office of the facts as mentioned by Governor Chittendon and Lt. Colonel Mathews the late General Sir F. Haldimand Aid du Camp, and Sir Henry Clinton can illustrate them.

The people of Vermont with whom I have spoken all agree, that State would gladly embrace and support a neutrality, that their Country might not become the Seat of War.

To what extent the people of Vermont who are friendly to Great Britain may be of real Service, It is impossible to say, but there are such probable grounds for

supposing they may become highly beneficial that I feel it a duty to make this present statement to you, Sir, most earnestly hoping that Lord Dorchester has already thought it an object worthy of his consideration.

I have the honor to be, Sir,
Your most obedt. & Humble Servt.,

J. G. SIMCOE.

The Rt. Honble
H. DUNDAS,
&c. &c. &c.

No. 4.—STATEMENT BY MR. JARVIS.

(*Archives, series Q, vol. 281-1, page 269.*)

On the 12th of January I called on Governor Chittenden at his house in Williston on Onion River and spent that night with him in company with Colonel Fay, (his private Secretary and Secretary of State) in the course of the Evening the conversation turned on the war in Europe. When Governor Chittenden expressed a very great disapprobation of the popular measures in France "that if Congress takes a part in the War in favor of France I am sure Vermont will never accede to it but will make the best bargain they can for themselves (addressing himself to me) I beg you will give my compliments to Governor Simcoe, and tell him that the Governor and Council of Vermont are of the same opinion that they were in the year 1781 when Colonel Fay was three weeks on board a King's Vessel in Lake Champlain negotiating a union with Canada &c. &c. when the news of Lord Cornwallis's misfortune reached Vermont, which suspended the negotiation and finally put an end to it. That Vermont has nothing to gain by entering into a combination to defend the Sea Coasts, on the contrary every thing to lose—their Commerce (through Canada) ruined, their whole Country open to inroads of British Indians &c."

The 14th of January I called on General J. Allen at Colchester and on Colonel Allen at Fairhaven, both of whom were concerned in the negotiation of 1781 who informed me that Vermont still adhered to their former sentiments with regard to their union.

J. G. S.

NOTE D.

BEFORE AND AFTER THE BATTLE OF EDGE HILL.

No. 1.—BOUQUET TO GENERAL AMHERST.

(Archives, series A 4, p. 300.)

CARLISLE, 29th June, 1763.

SIR,—The two light Infantry Companies of the 42nd and 77th Regimts arrived here yesterday.

A general Panick has seized this extensive Country and made the Inhabitants abandon their Farms and their mills: The Agent employed by the Contractors could not on that account provide the Carriages and Provisions I had ordered to be ready by the 28th Instant: and I have been obliged to send back to Lancaster for Flour and Waggon, which I expect will be here about the 8th of July when I shall proceed forthwith to Fort Pitt.

I had this day a Letter from that Post dated the 18th containing nothing material. To morrow morning a Party of Two officers and 30 men, with a guide will march for Bedford, from whence they are to proceed with some Woodsmen acquainted with the Country to Fort Ligonier.

There appears to be few Savages yet on these frontiers, but every Tree is become an Indian for the terrified Inhabitants.

I have the honor to be, &c.,

H. B.

His Excellency Sir JEFFRY AMHERST.

No. 2.—BOUQUET TO GENERAL AMHERST.

(Archives, series B 4, p. 304.)

CARLISLE, 3d July, 1763.

SIR,—An Express from Fort Pitt brings this moment the fatal account of the loss of our Posts at Presqu'Isle, Le Bœuf, and Venango, your Excellency will see in the inclosed Letters all the Particulars I had of this unexpected disaster.

As the Destruction of the important Post of Presqn' Isle will occasion some alteration in your first Plan, I beg you will favor me with your orders concerning the Troops you have destined for this Department.

By the inclosed Return of Provisions at Fort Pitt, that Post does not stand so immediately in need of a relief, as to make us run great Risks to force a Convoy up, before the Provinces can give us other Assistance.

I doubt if on account of the Harvest Pennsylv^a can have Troops raised and equipped in less than six weeks or two months, during which time they are incapable of any defence, for want of a Militia Law.

The Savages must soon disperse for want of Provisions and their first Impetuosity cooled, they will be more easily dealt with.

I shall however move forward as soon as I can collect the Horses and Carriages I want which the great consternation and flight of the Inhabitants makes very difficult.

I have required the Governor to send their Arms and Ammunition and proposed to collect the People in this Frontier in a few well stockaded Places inclosing Mills, as a Retreat for themselves, their families & Provisions, to keep possession of the Country, and if the Enemy should penetrate, destroy all kinds of eatables, which could not be secured in these Strong Holds, and might fall in the hands of the Savages, but from the nature of this Government, I suppose nothing will be done in time.

The Second Compy. of the 42d will be here the 5th and I expect the Remains of the two Regts. on the 6th or Seventh.

I have secured all the Provisions I could get in this Country, 100 Head of Cattle; 200 Sheep and about 3,000 lbs. of Fine Powder from the Indian Traders. I expect the Flour and Waggons from Lancaster by the 8th.

I received your Letter of the 25th June and shall continue in the service the men so timely raised by Mr. Croghan which the Province will I hope take into their pay.

I am, &c.,

H. B.

I enclose Mr. Croghan's Letter to Sir Wm. Johnson open.

His Excellency Sir JEFFRY AMHERST,
By the Express J. Glen.

No. 3.—LIEUT. COLONEL ROBERTSON TO BOUQUET.

(Archives, series A 4, p. 329.)

PHILADELPHIA,
19 July, 1763.

DEAR SIR,—By Sir Jeffrey Amherst's Order, I waited upon the Governor here, with a letter of Sir Jeffrys, I added to the arguments he used every thing I thought could tend to induce The Governor and the Commissioners appointed to superintend the raising of 700 men, to put these under your command, and finding these gentlemen were not determined by what they had read or heard, I left them to consult and went and supplicated the aid & influence of Mr. Norris, as I found that the Governor would readily agree to a measure if proposed by them, that he durst not seem otherwise to favor, I tryd to persuade Mr. Norris, that the Indians could not by any defensive plan be prevented from ravageing the frontiers which they would effectually be by The General's plan of carrying the war into their Country, but, that to effectuate this, it was necessary that the 700 men should be put under Sir Jeffrey's command, in order to defend the forts & set the regulars at liberty to act. I threatened to abandon the forts, and I urged the Illegality of arming men without their being Subject to the Commander in Chief's orders, that this innovation was a personal affront to Sir Jeffrey, whose actions deserved the confidence of the province, but I found all my pleading vain, and believe Ciceros would have been so, I never saw any man so determined in the right, As these people are in their absurdly wrong resolve.

I hope you have success with the force you have with you these people don't deserve and could not much relish the honour of sharing a Victory.

I am, Dear Sir,
Your obliged friend &
obdt. Servt.,

JAMES ROBERTSON.

No.4—BOUQUET TO GENERAL AMHERST.

(Archives, series A 4, p. 331.)

www.libtool.com.cn

CAMP AT BEDFORD,
26th July, 1763.

SIR,—I rec^d yesterday your Excellency's Letters of the 16th, with their Inclosures. The Signal for Indian Messengers and all your Directions will be observed. I shall procure & transmit to you Lists of the Persons killed or taken by the Savages this way. Three more have been massacred near Shippensburgh since we left it, but we have not perceived yet any of the villains.

The Troops and Convoy arrived here yesterday, where I must give them two Days Rest to enable them to proceed; the Horses having greatly suffered by the bad Roads.

We brought so far all the sick, but one, of the two Regts., to be left by way of Garrisons along the Communication.

We lost some men by Desertion from Carlisle; four of which having been taken up & severly punished, I hope we shall lose no more of them.

The Government of Pensylv^a having repeatedly refused to Garrison Fort Lyttleton (a Provincial Fort) even with the kind of Troops they have raised, I have stationed some inhabitants of the neighbourhood in it, with some Provisions & Ammunition to prevent the Savages burning it.

The little Post of Juniata being totally decayed & having no time to repair it, I have evacuated it.

I have at this Post one officer of the 77th and thirty men of both Regts. who are unable to march. They will secure it, with the assistance of the Inhabitants; till we can better provide for it.

Having observed on our march that the Highlanders lose themselves in the Woods as soon as they go out of the Road, & cannot, on that acct., be employed as Flankers; I have commissioned a person to procure me about thirty woodsmen to march with us. Their Services are obvious, & if I can get them to go on, I would send them with the Detachment to Presqu' Isle. This is very irregular in me, but the circumstances render it so absolutely necessary that I hope you will approve of it.

Colonel Robertson has communicated to me the bad success of his Representations to the Gov^r of Pensylv^a & his Commissioners; The unanswerable arguments in your Letters would have made Impression on any other set of men; I hope that we shall be able to save that infatuated People from Destruction, in spite of all their Indeavors to defeat your vigorous measures.

I meet everywhere with the same Backwardness, even among the most exposed of the Inhabitants, which makes everything move on heavily, & is digusting to the last Degree. I have heard nothing from Ft Pitt since the 26th of June, & several expresses sent from hence must have been interrupted. I have sent one of our two Indian Prisoners from hence to the Ohio for Intelligence, who is to meet me on the way; I know him, & having his Wife & Children as Hostages for his Fidelity, I hope he will answer my Purpose.

I have recd. his Majesty's Warrant empowering any of his Field Officers in the 1st Battn. of the 60th Regt. to hold Courts Martial, with a Deputation for the appointing of a Judge Advocate.

If I am obliged to make use of that Power, would you have the Sentences transmitted to you for your Approbation.

The Acct. of the Reduction of the 77th & of several offic^{rs} of the 2nd Battn. of the 42d Regt. now with me is arrived very unseasonably. We march on the 28th. I shall not write to you before we get to Pittsburgh, unless something extraordinary should happen on the way.

I have the Honor &c.,
HENRY BOUQUET.

His Excellency Sir JEFFREY AMHERST.

No. 5.—BOUQUET TO LIEUT. COLONEL ROBERTSON.

(Archives, series A 4, p. 334.)

www.libtool.com.cn

CAMP AT BEDFORD,

26th July, 1763.

DEAR SIR,—I was favoured yesterday with your Letter of the 19th in which you are pleased to inform me of the Deafness of Gov^{rn} and commissioners to the most urgent Arguments of the Generals Letters & your own warm Pleading to support them. This is no Disappointment to me, as I know their Principles & constant Indifference to the Service. Had I been in Town, I may venture to say, from the confidence Mr. Hamilton seemed to have in me, that I might have prevented his consenting to the absurd vote of his Assembly, the bad consequences of which he was not aware of: and if that had been the case, the cries of the Frontier Inhabitants would soon have obliged their Representatives to raise Troops upon the former Footing.

Tho' I find myself utterly abandoned by the very People I am ordered to protect, I shall do my best to save them from Destruction, & should I fail in the attempt, it is a satisfaction to me that nothing has been omitted on the General's side or ours, to obtain that necessary aid which might have left nothing to chance.

I think myself sufficiently strong to execute all my orders without them, but I labour under a great Disadvantage for want of men used to the woods, as I cannot send a Highlander out of my sight, without running the Risk of losing the man, which exposes me to a surprise from the Skulking Villains I have to deal with.

I find the last Winter has greatly hurt our Roads & swept off the remainder of our temporary Bridges, which makes me crawl so slowly that I have employed 36 Hours in going 3 miles. I am obliged to halt two Days here to refit my shattered Carriages & tired Horses; We march on the 28th. I have borne, very patiently, the ill usage of this Province; having still hopes that they will do something for us & therefore have avoided to quarrel with them. If they raise Troops at the next meeting of their Assembly, it will be necessary that they be put from the Beginning, under the Inspection of one of the King's Officers; as I know they have no Body able to form them into shape. I am much obliged to you for your good wishes.

I am most sincerely &c.,

HENRY BOUQUET.

Colonel ROBERTSON.

No. 6.—BOUQUET TO GENERAL AMHERST.

(Archives, series A 4, p. 337.)

CAMP AT EDGE HILL, 26 Miles From FORT PITT,

5th August, 1763.

SIR,—The Second Instant the troops and convoy arrived at Ligonier where I could obtain no Intelligence of the Enemy, the Expresses sent since the beginning of July, having been either killed or obliged to return, all the Passes being occupied by the Enemy. In this Uncertainty, I determined to leave all the Waggon's with the Powder, and a Quantity of Stores and Provisions at Ligonier, and on the 4th proceeded with the Troops and about 340 Horses Loaded with Flour. I intended to have halted to day at Bushy Run (a mile beyond this Camp) and after having refresh'd the men and Horses to have marched in the night over Turtle Creek a very dangerous defile of several miles commanded by high and craggy Hills. But at one o'Clock this afternoon, after a march of 17 miles, the Savages suddenly attack'd our

advanced guard which was Immediately supported by the two Light Infantry Companies of the 42d Regiment, who drove the Enemy from their Ambuscade and pursued them a good way. The savages returned to the attack and the Fire being obstinate on our Front and Extending along our Flanks, we made a General charge with the whole line to dislodge the savages from the Heights, in which attempt we succeeded, without obtaining by it any decisive advantage, for as soon as they were driven from one Post they appeared on another till by continued Reinforcements they were at last able to surround us and attack the Convoy left in our rear; This obliged us to march Back to Protect it, The Action then became General & though we were attacked on every side and the Savages exerted themselves with uncommon Resolution they were constantly repulsed with Loss. We also suffered considerably. Capt. Lieut. Graham and Lieut. James McIntosh of the 42d are killed and Capt. Graham wounded of the R. A. R. Lieut. Dow who acted as A. D. Q. M. G. is shot through the Body. Of the 77th Lieut. Donald Campbell and Mr. Peebles, a volunteer are wounded.

Our loss in men, including Rangers and Drivers exceeds sixty killed or wounded. The Action has lasted from one o'Clock till night and we expect to begin again at Daybreak. Whatever our Fate may be I thought it necessary to give your Excellency this Early Information that you may at all events take such measures as you may think proper with the Provinces for their own safety and the Effectual relief of Fort Pitt, as in the case of another Engagement, I fear Insurmountable difficulties in protecting and Transporting our Provisions, being already so much weakened by the losses of this day in men and horses besides the additional necessity of carrying the wounded, whose situation is truly Deplorable.

I cannot sufficiently acknowledge the constant assistance I have received from Major Campbell during this long action nor express my admiration of the cool and steady behaviour of the Troops who did not fire a shot without orders and Drove the Enemy from their Posts with Fixed Bayonets: The conduct of my officers is much above my Praises.

I have the Honor to be with Great respect,
Your most obedient & most Humble Servant.

His Excellency GENL. AMHERST.

No. 7.—GENERAL AMHERST TO BOUQUET.

(Archives, series, A. 4, p. 365.)

NEW YORK, 25th August, 1763.

SIR,—I am to own your Letter of the 5th Instant, which I received the Day before yesterday, and I should have been very glad had it been Dated from Fort Pitt; Altho' I have no Doubt but you will have Reached that Post the Day after; for the Resolution and steadiness of your Little Army, which you so much Commend, will I trust, have Enabled you to Baffle any future Attempts of the Savages.

I Regret the Loss of Captain Lt. Graham & Lieut. McIntosh; and Am Extremely Sorry for those that are wounded.—But I hope the Latter will Recover. The Savages, no Doubt, have mustered up all their Strength on the Communication, to Attack you: and their way of Fighting would lead them to fall upon the weakest part; the *Rear*, when they found they could make no Impression on the *Front*; your Convoy was too Essential an Article to be Left behind, otherwise the pursuing of the Savages, when once they gave way, would have been the Surest Method of Making the Advantage you had gained Decisive.

Upon this Occasion I have thought proper to appoint Lieut. Balneavis, who altho not the Senior Lieutenant belonging to the Regiment; is the Eldest on Service to the Captain Lieutenancy, and I herewith Enclose you a Commission to him accordingly. The Behavior of Mr. Peebles, on former Occasions, particularly at

Newfoundland, and his being wounded now makes me Break thro' the Orders I Have Received from His Majesty respecting the Reduced Officers, that I may provide for him. As I Flatter myself the King will be graciously Pleased to approve thereof: And I Enclose you a Commission Appointing Mr. Peebles to be Ensign in the 42d Regiment, which you will please to Deliver to him: Acquainting both Captain Lt. Balneavis and Ensign Peebles that they have no Fees to pay for those Commissions,—The Infatuated Obstinancy of the People in Power of the Province of Pennsylvania Renders any further Application from me unnecessary, as they have not Paid the least regard to the Pressing Instances, I have from time to time Urged to the Governor for exerting themselves like men, in the Defence of the Lives and Propertys of the Back Settlers: But I have a very Different Account from Virginia: for the Lt. Governor, Immediately on the Receipt of my Letter, Desiring him to Concert the properest Methods for the Protection of that Colony, by Virtue of the Militia Law, which happily Subsists there, gave orders for Assembling One Thousand Men, in two Bodys, of 500 Each, giving the Command to Colonel Stephen and Colonel Lewis: The Former, I find by a Letter from Captain Ourry of the 17th Instant and which came to hand with yours, had Reached Fort Cumberland, with about 400 men: And that he had on his March thither, by a Detachment Routed a Party of Indians: Killed and Scalped one; Wounded Several; and Recovered two Prisoners and three Scalps: A Spirit-like this, will soon Intimidate the Villains. And as I am Sensible you will not have men to Spare for Escorting the Provisions &c. When you send forward the troops to Presqu'Isle according to my former orders, I write to Colonel Stephen, desiring him to Employ his men, on the Communication for its Security, and likewise in such Offensive Scouts as may be Judged necessary, for Clearing the Country of Any Partys of Savages that may be lurking for an opportunity to do mischief.

I have also a Letter from Governor Sharpe Informing me that he had furnished the Commanding Officers of the Militia on the Frontiers of Maryland with Arms and Ammunition and likewise sent Instructions to the Commanding Officers for Assembling the Militia; and Acting Offensively against the Indians, as occasion Might Require.

Captain Ourry will Inform you that I have Directed Messrs. Plumsted & Franks, to Forward what Provisions he may Demand for the Troops with you, Sir John St. Clair has unluckily been Taken Ill, and is at Newton; but I shall Order him to the Communication again, so soon as he is able to go.

I am in hourly Expectation of Receiving good news from the Detroit; as the Reinforcements with Captain Dalyell and Captain Loring must have Reached that Place long ago. And the 46th & 80th with other Detachments, will be at Niagara in a very Short-time; So that I have no Doubt but you will soon find, that the Spirit of the Savages will begin to fail.

I Have only at Present to add, that the Commendations you give to Major Campbell, and all the Officers and Men under your Command, when Attacked by the Indians, and during the whole of that Affair; give me a Sensible pleasure.

And to Assure you that I am, Sir,

Your most Obedient Servant,

JEFF. AMHERST.

No. 8.—BOUQUET TO GENERAL AMHERST.

(Archives, series A 4, p. 341.)

CAMP AT BUSHY RUN, 6th August, 1763.

SIR,—I had the honour to inform your Excellency in my Letter of yesterday of our first Engagement with the Savages.

We took Post last night on the Hill where our convoy halted when the Front was attacked (a Commodious Piece of Ground and just spacious enough for our purpose) there we encircled the whole and covered our wounded with the Flour Bags.

In the morning the savages surrounded our Camp at the Distance of about 500 yards, and by shouting and yelping quite round that extensive circumference thought to have Terrified us with their numbers. They attacked us early and under favour of an incessant Fire made several bold efforts to penetrate our camp, and tho' they failed in the attempt our situation was not the less perplexing having experienced that brisk attacks had Little Effect upon an Enemy who always gave way when pressed and appeared again Immediately: our Troops were besides Extremely fatigued by the long march and as long Action of Preceeding Day, and Distressed to the last Degree by a Total want of water much more Intolerable than the Enemy's Fire.

Tied to our Convoy we could not lose sight of it without Exposing it and our wounded to fall a prey to the Savages, who pressed upon us on every side, and to move it was Impracticable having lost many horses, and most of the Drivers stupified by Fear, hid themselves in the Bushes or were incapable of hearing or obeying any orders.

The Savages growing every moment' more Audacious, it was thought proper still to increase their confidence; by that means if possible to Intice them to come close upon us or to stand their Ground when Attacked. With this view two Companies of Light Infantry were ordered within the Circle, and the Troops on their right and left opened their files and filled up the space: that it might seem they were intended to cover the retreat. The third Light Infantry Company, and the Grenadiers of the 42d were ordered to the support of the two first Companies, This manœuvre succeeded to our wish for the few Troops who took Possession of the Ground lately occupied by the two Light Infantry Companies, being brought in nearer to the centre of the Circle, the Barbarians mistaking these motions for a retreat hurried headlong on, and advancing upon us with the most Daring Intrepidity galled us exceedingly with their heavy Fire; but at the very moment that certain of success they thought themselves masters of the Camp, Major Campbell at the head of the two first Companies sallied out from a part of the Hill they could not observe and fell upon their right Flank, they resolutely return'd the fire, but could not stand the Irresistable Shock of our men, who rushing in among them killed many of them, and put the rest to Flight, the orders sent to the other two Companies were delivered so timely by Captain Bassett and executed, with such celerity and spirit that the routed savages, who hapned to run that moment before their Front received their full Fire when uncovered by the Trees. The four Companies did not give them time to load a second time, nor even to look behind them, but pursued them till they were totally dispersed. The left of the Savages which had not been attacked were kept in awe by the remains of our Troops posted on the Brow of the Hill for that purpose, nor durst they attempt to support or assist their Right, but being witness to their Defeat followed their Example and Fled.

Our brave men disdained so much as to touch the dead body of a vanquished Enemy that scarce a scalp was taken except by the Rangers and Pack Horse Drivers.

The woods being now cleared, and the pursuit over, the four Companies took Possession of a Hill in our Front and as soon as Litters could be made for the wounded, the Flour and every thing Destroyed which for want of Horses could not be carried, we marched without molestation to this Camp. After the severe correction we had given the Savages a few hours before, it was natural we should enjoy some rest but we had hardly fixed our Camp when they Fired upon us again. This was very provoking! however the light Infantry dispersed them before they could receive orders for that Purpose. I hope we shall be no more disturbed for if we have another Action, we shall hardly be able to carry our wounded.

The behaviour of the Troops on this Occasion speaks for itself so strongly that for me to attempt their eulogium would but Detract from their merit.

I have the Honor to be most respectfully, Sir,

Your most obedient & most Humble Servant.

P.S.—I have the honor to inclose the Return of killed, wounded and missing, in the two Engagements.

H. B.

His Excellency GENL. AMHERST.

RETURN of killed and wounded in the two actions at Edge Hill, near Bushy Run the 5th and 6th August, 1763.

www(Archives, series A. & W. I., vol. 98-2 p. 382).

CORPS.	Cap. tains.		Lieu- tenants.		Volun- teers.		Ser- geants.		Cor- porals.		Drum- mers.		Privates.		
	Killed.	Wounded.	Killed.	Wounded.	Killed.	Wounded.	Killed.	Wounded.	Killed.	Wounded.	Killed.	Wounded.	Killed.	Wounded.	Missing.
42nd or Royal Highlanders.....	1	1	1	1	1	2	1	3	1	25	27
60th or Royal Americans.....	1	1	6	4
77th or Montgomery's Highlanders	1	1	3	1	5	7
Volunteers, Rangers and Pack
Horsemen.....	1	7	8	5
	1	1	2	3	1	1	5	2	3	1	1	43	46	5

Captain Lt. J. Graham, of the 42nd Regiment }
 Lieut. McIntosh do do } Killed.
 do Joseph Randal, of the Rangers, }
 Captain John Graham, of the 42nd Regiment }
 Lieut. Duncan Campbell do do }
 do James Dow, of the 60th do } Wounded.
 do Donald Campbell, of the 77th do }
 Volunteer Wm. Peebles do do }

Total killed..... 50
 Wounded..... 60
 Missing..... 5

Total of the whole 115

HENRY BOUQUET.

No. 9.—BOUQUET TO GOVERNOR HAMILTON.

(Archives, series A 19-2, p. 360.)

FORT PITT,
 11th August, 1763.

SIR,—I have the Pleasure to Inform you that on our march to the relief of this Fort we have been attacked by a considerable Body of Indians; composed of the Delawares, Shawanes, Wyandots and Mingoës, and that after two obstinate Engagements on the 5th and 6th Instant, we have obtained a compleat Victory over the Barbarians, by the uncommon resolution of our brave Highlanders, before the Enemy came to meet us they had closely beset and attacked this Fort, and for five days kept an incessant fire upon it.

Captain Basset who has distinguished himself extremely and has been of great service to me carries my Dispatches to the General. I beg leave to refer you to him for the particulars of that Bloody Affair in which the most Warlike of the Savage Tribes have lost their Boasted Claim of being Invincible in the woods. If the Provinces would now enable us to follow this Looky Blow we might drive the Indians over the Lakes or compell them to sue for peace but it cannot be attempted with Prudence with the Troops I have left. And if we give them time to recover of their Pannick we may have the whole to do over again.

It is so evidently true that the only method of protecting our settlements is by carrying the war into the Enemys Country, that I shall dwell no longer upon it.

I have the honor to be, with great respect, Sir,

Your most obedt. & most Humble servt.,

Governor HAMILTON.

No. 10.—BOUQUET TO COLONEL AMHERST.

(Archives, series A 4, p. 363.)

www.libtool.com.cn

FORT PITT,
11th August, 1763.

DEAR SIR,—It is with great Pleasure I can Acquaint you that we have been so happy as to Execute the Generals orders in throwing a Supply of Provisions into this Fort, and in Humbling the Savages by the most Compleat defeat they ever received in the Woods: Captain Bassett will inform you of the particulars of our two Engagements. Captain Clark finding himself in a bad state of health, and unable to go through more of this hard service, I have at his request Consented he should go to the Nearest Town, for his recovery.

I Lay under so many obligations to Major Campbell for his indefatigable Assistance in the Various Difficulties we have had to Encounter that I wish Extremely to do him some Service, and I can not do it more Effectually than by recommending his Case to you; he is now upon half pay employed in a Very Expensive and Disagreeable Service, while the real Major of the 42d Regiment remains at home; Could not a change be brought about and Lieut. Col. Reed be persuaded to take Major Campbell's half pay and his Liberty or be Ordered to relieve him which I suppose Would determine him as with his fortune, Rank is the only Consideration that can weigh with him.

If this Could Succeed, you Would Confer a Great Favour on a very Worthy man, and oblige me sensibly.

I have another Request to recommend to your Benevolence: Lieut. Dow of the 1st Battn. R. A. R., who Acted with us as A. D. Q. M. G. being on the day of the first attack with the advanced Guard, found himself in the Midst of the Savages, he Killed two and Wounded a third When he was Unfortunately shot himself through the Body. It is yet doubtful whether he will recover but his greatest Anxiety is for one of his sons a Lieut. in the 1st Battn. who will fall upon half pay.

If you would be so kind at a Proper opportunity to recommend that young man to the General to be replaced, I should think myself very happy to give that satisfaction to the Father, Who leaves a Numerous Family without friends or Fortune.

You see how much I press upon your Generosity the Motive can alone Excuse me, I shall never have it in my power to Acquit myself with you, but you will be repaid by the Satisfaction of having assisted men of Merit in Distress'd Circumstances.

I am with the most sincere Esteem and regard, Dear Sir,
• Your most obedient Humble Servant.

To Colonel AMHERST.

No. 11.—BOUQUET TO GENERAL AMHERST.

*(Archives, series A 4, p. 369.)*FORT PITT,
26th August, 1763.

SIR,—The 22nd Instant Major Campbell and the Detachment under his Command returned here with the Part of the Convoy, we had left at Ligonier, without seeing any Savages.

By the fatigue of long Marches and the necessity the Troops have been under to lay without Tents, and upon their Arms, so many men are fallen Sick, that the number fit for duty in the 42nd and 77th is reduced to 245, which to my great Mortification puts it out of my Power without a Reinforcement, to send them to Presqu'Isle, Agreeable to your Excellency's orders.

To Save Provisions and disincumber the Fort of useless hands I send to Bedford with the Waggon and Pack Horses, all the sick and Wounded able to go. After furnishing that Escort, The Remains of the two Regiments would not have been in a Condition to force their way to Presqu'Isle, had they met with Opposition.

Another Circumstance equally distressing for me is a Spirit of discount and desertion which discovers itself among the Royal Americans at this Post. I had the honor to inform you at different times that a number of them claimed their discharges; having served the time they had enlisted for, The Necessity of the Service has not permitted hitherto to grant them their request, and Occasions those bad dispositions.

The Militia think it equally hard to be detained and they take every opportunity to desert: Not to be obliged to rely Alltogether upon men in that temper, I keep 50 of the Highlanders in the Fort, and send as many Americans with the Major, Chosen among those who are less suspected.

I have disposed for the present the Troops as follows

At Fort Pitt.....	200
At Ligonier for Escort.....	100
With the Waggon to Loudoun.....	100
At Bedford with the Major.....

Major Campbell will send back from Bedford 200 Horses with Flour and if he Can, some Cattle to Ligonier, which is in immediate want of Provisions.

The 100 men who Escort the Waggon from Bedford may escort back the Provisions you will please to order for the use of this Garrison and Communication.

I have heard nothing from Major Gladwin or Captain Dalyell. It is impracticable to send any but Indians to Presqu'Isle, and the only one I had employed from Bedford is supposed to be killed having not appeared since he left this Fort on his way back to me.

I have the honor to be, &c.

No. 12.—BOUQUET TO GENERAL AMHERST.

(Archives, series A 4, p. 393.)

FORT PITT,

7th September, 1763.

SIR,—I had the honor to inform your Excellency in my Letter of the 27th of August, that I had sent to Presqu'Isle, the Indian Express, who had brought Major Gladwin's Packett.

He returned after proceeding about half Way with the Intelligence inclosed.

I detain him here till I receive a Letter from you, and send him daily out to be informed of the motions of the Savages. Yesterday he told me that several Parties were about the Fort, watching an opportunity to strike & cut off our grass guard, but as he speaks very little of their Language, he could not know their numbers.

He has met this morning over the River two Wiandots (sent from Sandusky to inquire what has become of him) who have told him that 800 Western Indians in 80 Canoes were gone towards Niagara to take post at the Carrying Place and cut off all communication with ye Detroit where one of our vessels had arrived about 12 days ago, and that the Ottawas & Chipwas who were at Presqu'Isle were not yet come back.

If this war continues, it will not be possible to keep Cattle at the Posts, without exposing too much to guard them.

The Mingoës, Delaware, & Shawanese are now collecting their men at Muskingham, & the Heads of the Scioto, As it is probable that they will attempt to cut off all Communication to this Post; our Parties must be strong to avoid a Check.

I have the honor to be, &c.

His Excellency Sir JEFFREY AMHERST.

No. 13.—BOUQUET TO GOVERNOR HAMILTON.

(Archives, series, A 19-2 p. 408.)www.libtool.com.cn

FORT PITT,

12th September, 1763.

SIR,—Permit me to acknowledge most gratefully the honor you have done me, by your obliging approbation of my conduct.

The Temporary Consequence of that success to the Inhabitants of the Frontier gives me great satisfaction, having been a witness to their distresses and desolation, and it is particularly on their account that I lament my inability to render their security more permanent, by crushing the Barbarians and disabling them from ever distressing us.

They appear yet stunned by the blow they have recd. but if suffered to recover their Spirits, they will soon, like their Brethren Devils in Milton rear their Heads again and vent their rage upon defenceless Families.

Could sound reason prevail against principled Prejudices, I could not renounce all hopes of assistance from your province, as your unanswerable arguments for an offensive war must convince any men not absolutely determined to act contrary to evidence and their own Interests.

None of the Provinces has so much at stake in an Indian War as Pennsylvania, being exposed naked to sudden attacks, for want of a Militia,

The Enemies must know already, or will now be made sensible that their parties opposed in Maryland and Virginia by a numerous Militia can commit their Depredations almost with impunity on your Government, and since you have not the same means of defence certainly the example of these Provinces in not raising Troops can be no Rule for yours. They remove the Danger from their Borders and direct the torrent upon you.

You are happily able to Protect yourselves, but even without any extraordinary effort, you can give the finishing stroke to this Savage War.

Five Hundred Picked men now added to the King's Troops in this Department would effect it, and obtain great honour to your Government, safety to your People, and force the Savages to respect you ever after. And that at a less Expence than you are actually at to little purpose, as your Troops joining the King's Forces would then be Victualled at the Crown's Expence.

Upwards of 600 Persons already lost in so short a time, evinces the necessity to put speedily a stop to these Barbarities, by taking vigorous measures instead of wasting our strength and mouldering away in an insignificant and endless defensive.

The Repulses the General has met with in his repeated applications to your Province makes me think that he will not make new attempts for which I hope your Assembly will not wait, but exert for their own Preservation the abundant means in their Power.

The Troops actually in this District being not sufficient to act offensively, if not reinforced, must be forwarded to the Detroit, and leave the defence of your extended Frontier to your Assembly.

I shall very readily procure to Mr. Davenport, your Agent for Indian Trade at this Post, all the facilities in my power to send down the skins and Goods remaining here and recommend them particularly to the care of the officer commanding the Escort.

I have the Honor to be with great respect, Sir,

Your most obedient and most Humble Seryant,

HENRY BOUQUET.

P.S.—If your Province (contrary to my expectation) raises some Troops, Permit me to Recommend you for a Majority, Captain Ecuyer, who has acted with so much spirit in the Defence of this Post He will now be reduced, and would be glad to be employed, I could not ask that favour for a better man.

H.B.

Governor HAMILTON.

No. 14.—BOUQUET TO REVEREND MR. PETERS.

(Archives, series A 23-2, p. 451.)www.libtool.com.cnFORT PITT,
30th September, 1763.

MY DEAR SIR,—How could I express my sensibility for the great happiness you have imparted to me by the warm & honourable expressions of your Sentiments for me. Indeed my heart is full of gratitude at the generous proceedings of my worthy Friends on the occasion of the little success it has pleased God to give us. For indeed there has been something providential in the disposition & conduct of all that affair. Never found my head so clear as that day & such ready & cheerful compliance to all the necessary orders. Such firmness & perseverance in the most horrid prospect of Ruin & destruction have struck me with admiration at so many uncommon happy circumstances.

I don't think that the Publick accounts of those Engagements have done common Justice to the Troops. I expected it from the General who was the proper channel. But I have long ago been taught not to put my trust in man & the lucky event does not rekindle in me the extinguished flames of ambition.

I ask and expect nothing. Retreat & Liberty could alone make one happy.

But those blessings are flying every day further from me. The death of my good old friend Dalyell affects me sensibly. It is a publick loss. There are few men like him.

Farewell my dear Sir.

I am, your obliged & devoted friend,

HENRY BOUQUET.

To Rev. Mr. PETERS.

No. 15.—GENERAL AMHERST TO BOUQUET.

*(Archives, series A 4, p. 421.)*NEW YORK,
3d October, 1763.

SIR,—I am sorry to tell you of a Loss we have had on the Niagara Carrying Place on the 14th September; The Waggon's Returning to the Lower Landing under a Convoy of a Sergeant & 28 men of Wilmots, were attacked by some Savages: Their Fire being heard by Lieuts. Campbell & Fraser, who were encamped with two Companies at the Lower Landing, those Gentlemen, Immediately marched out their Companies to reinforce the Convoy; and I conclude imagined it might be a small Body of Indians, & pressed to get to them as fast as Possible, & perhaps were more Huddled together, or less on their Guard, than they would have been on any other Occasion: Their zeal was very commendable, but the Companys were almost Entirely cut off, by being surrounded by a very Superior Large Body of Savages said to be 500.

As soon as the affair was known at Niagara, Lt. Colonel Browning, sent out Major Wilkins with a Large Reinforcement; but before he could get up, the Mischief was Done, & the Enemy gone; The Oxen, Horses & Waggon's that were carried off, or Destroyed, will be soon Replaced; But I Lament the Loss of so many Officers & Good Men, who Fell in the Discharge of their Duty by the Hands of the Bloody Villains: All the Officers who were there viz: Lieuts Campbell & Fraser of the 80th, Lieut Rosco of the Royal Artillery, Captain Johnson of the Jersey Provincials & Lieut. Dayton of the Yorkers, were killed; and by the Return, we have Lost six Sergeants & 70 Rank & File, besides two servants, who I suppose were waggoners.

I think it is pretty evident that this Body of Savages must have been those whom your Express mentioned; and it is very likely there may have been some Senecas among them; for by the Facts, they went towards the Seneca Country, & their carrying off the Horses is another ground for Suspicion, that there were some of that Nation at the affair. Those of the Western Tribes I conclude, will return over the Lakes; tho' some may endeavor to Do more mischief on the Communication: There is one circumstance I think it necessary you should know, that you may be on your Guard, in case the Villains should make any attempt to Deceive your Garrison or the other Posts: I mean by the cloathing of the 80th Regiment, as they stript all the Dead, & carryed of the cloathing, Arms & Accoutrements.

I Have made an Exchange in the Officers of the Battalions 60th since I sent you the List; by appointing Lieut. Turnbull to the 2d & Lieut Van Ingen comes into the 1st, which you will Please to give in orders accordingly.

I am, Sir,

Your most obedt. Servant,

JEFF. AMHERST.

Colonel BOUQUET.

NOTE E.

THE RESERVATION OF INDIAN LANDS.

No. 1.—COLONEL CRESAP TO BOUQUET.

(Archives, series A, vol. 15, p. 188.)

OLD TOWN, July 24th, 1760.

SIR,—At the request of several of the members of the Ohio Company of which I myself am one, I take the freedom of acquainting your Honour, that they are inclined to let you be Partaker of the Grant which His Majesty has been graciously pleased to give them of five hundred thousand acres of Land lying on and adjacent to the South side of the River Ohio, on the same terms and conditions as they themselves are under, each member's share of said Land being twenty-five thousand acres.

If your Honour should approve of becoming a member of said Company, I should be glad to receive a letter from you, that I might acquaint the Gentlemen (several of whom are of His Majesty's Council in Virginia) with your Determination.

I am, Sir, Your humble Serv.,

THO. CRESAP.

P. S.—The Company proposes, as soon as the Wars are ended, to settle the land with Germans and Switzers, which they shall send for and encourage.

No. 2.—BOUQUET TO COLONEL CRESAP.

(Archives, series A, vol. 23-1, p. 32.)

PRESQU'ISLE, 12th September, 1760.

SIR,—It was but lately that I was favoured with your letter of the 24th July containing an offer from you and some other members of the Ohio Company to let me be Partaker of their Grant for Five Hundred Thousand Acres of Land; on the South Side of the River Ohio, on the same terms and conditions as they themselves are under. Each Member's Share being Twenty-five Thousand Acres.

I think myself much obliged to you, Sir, and the other Gentlemen concerned in that offer. But as an Engagement of that extent requires more consideration, I must beg leave to defer giving a positive answer till I can have the Pleasure to see you which I hope may be soon.

I could indeed procure numbers of German and Swiss families to settle upon those Lands. If the Conditions could really be made advantageous to them. But many things are to be considered before that.

1. You know that by the late Treaty at Easton, Approved and Confirmed by the Ministry at home we have engaged not to settle the Lands beyond the Allegheny, and tho' the Government of Virgⁿ. and Maryland did not accede to that Treaty, I conceive that they are equally bound by it, and that no settlement will be permitted upon the Ohio till the Consent of the Indians can be procured.

2. The form of Government for this New Colony ought to be previously fixed, as they would be too remote to be dependent upon either of the Provinces.

I shall not enter in more details till I am better informed of the plan you have formed for the Encouragement of the Settlers, and of the means you have to Carry that scheme in Execution, as I am of opinion that such Settlement would be of great

Service to the Colonies I would readily contribut to promote it whether I was personally concerned or not.

I am Sir
www.libtool.com.cn Your obed. Servt.,

HENRY BOUQUET.

No. 3.—[EXTRACT.]—LIEUT. COLONEL MERCER TO BOUQUET.

(*Archives, series A, vol. 15, p. 391.*)

Col. Cressap having informed some of the members of the Ohio Company that you would be glad to become one of them, they desired me as one of the Body, having the Pleasure of your Acquaintance, to let you know there was a share to be disposed of, and that Col. Bouquet joining them would be very agreeable to the whole Company. As I made no Doubt of meeting with you, I brought up all the Papers relative to the Concern in order to let you know the Terms they hold or expect to hold, their Lands upon. The Company have advanced £500 each, which will entitle you to a 20th Part of 500,000 acres of Land, and as they have some pretty considerable outstanding Debts from the Trade they intended to prosecute, the whole sum will not be entirely sunk; besides there is yet more of their Money in the Hands of the Treasurer amounting with the Debts I imagine to £2,000 or £2,500.

No. 4.—PROCLAMATION AGAINST SETTLING, &c.

(*Archives, series A, vol. 26, p. 10.*)

PROCLAMATION by Henry Bouquet, Esqr., Colonel of Foot and Commanding at Fort Pitt and Dependencies.

Whereas by a Treaty hōld at East Town in the year 1758, and since ratified by His Majesty's Ministers, the Country to the West of the Allegany Mountains is allowed to the Indians for their Hunting Ground, and as it is of the Highest Importance to his Majesty's service, the preservation of the peace and a good understanding with the Indians, to avoid giving them any just cause of Complaint, this is therefore to forbid any of His Majesty's subjects to Settle or Hunt to the West of the Allegany Mountains on any Pretence whatsoever, unless such Persons have obtained leave in Writing from the General or the Governor of their Provinces Respectively and produce the same to the Commanding Officer at Fort Pitt.

And all the officers and non commissioned officers commanding at the several Posts erected in that part of the Country for the Protection of the Trade, are hereby ordered to seize or cause to be seized any of His Majesty's Subjects who without the above Authority should pretend after the Publication hereof to settle or Hunt upon the said Lands, and send them with their Horses and Effects to Fort Pitt, there to be Try'd and Punished according to the nature of their Offence by the Sentence of a Court Martial.

Given under my Hand at Fort Pitt this Thirtieth day of October 1761.

HENRY BOUQUET.

No. 5.—GOVERNOR FAUQUIER TO BOUQUET.

(*Archives, series A, Vol. 18-1 p. 5.*)

W^{MS}BURG, January 17th, 1762.

SIR,—The Proclamation issued by you concerning the settling and hunting on the Lands to the Westward of the Allegenny Hills, gives Rise to some uneasiness in this Colony (over which His Majesty has been graciously pleased to appoint me to preside as his Lieutenant Governor) as it seems to tend to obstruct the resettling the

Lands by the Persons who have taken up Lands by patent under his Majesty,—And have been formerly Settled on them, but driven from their Settlements by the late Disturbance. There are many such belonging to this Colony, who made settlements on Monongahela, Green Bryar, and New River to the Westward of the Allegheny Mountains, on the Waters of the Ohio

On these Considerations I have been desired to apply to you that you would do me the Favour to make known to me your Intentions in publishing the said Proclamation, and whether the Certificate you require is only to ascertain the Identity of the Persons who are now, or hereafter may be settling to the Westward of those Hills, to prevent any other persons who have no right to settle on the Lands which may be claimed by those who have legally taken them up by patent under the Crown. This is a laudable Intention and may prevent Vagabonds from taking possession of the Just Rights of others.

As for New Settlements his Majesty's pleasure has been Signified to me by Letter from the Right honorable the Lords of Trade and Plantations that I should on no account whatever make any Grants of Lands on the Waters of the Ohio untill his Majesty's further pleasure be known. And the Governor of Pennsylvania is, as I am informed under the same Restrictions.

The particular Article relating to the offenders being tried by Court Martial has alarmed the Gentlemen of Consequence in this Colony as they Apprehend no Person is liable to Martial Law, or to tryal by Court Martial who is not in some shape Connected with the Military Department.

These Representations I have made to you by and with the advice of his Majesty's Council and I make no doubt but your Answer will be fully satisfactory to them in Every particular.

I am with great Regard Sir
Your most obedient humble Servant,

FRAN: FAUQUIER.

No. 6.—BOUQUET TO GOVERNOR FAUQUIER.

(Archives, series A, Vol, 18-1, p. 27.)

FORT PITT, 8th February, 1762.

SIR,—I had yesterday the honor of your Excellency's Letter of the 17th Jany., Concerning the orders issued by me to prevent people hunting or settling to the Westward of the Allegheny Hills, unless they had obtained leave from the General or Governors of their Respective Provinces.

I am sorry they should have occasioned any uneasiness in your Government, but I hope to satisfy you that far from intending to invalidate the *just rights* of any person, or Endeavouring to prevent their taking Possession of them, provided they had a legal Authority for so doing, I took the only Method to secure them till such authority could be obtained.

For two years past these Lands have been over run by a Number of Vagabonds, who under pretence of hunting, were Making Settlements in several parts of them, of which the Indians made grievous and repeated Complaints, as being Contrary to the Treaty made with them at Easton, and since Confirmed by the General at this Post.

In consequence of which General Monckton ordered these People to be driven off and as the Indians still Complained of New Comers, I issued the said orders to prevent in the best manner I could those incroachments.

Notwithstanding what I have done, they still in a less degree, Continue the same Practices, and two days ago an Indian who pretends to be sent by the Six Nations to see whether we settle this Country, Complained to me that he had discovered ten New Hutts in the Woods and many Fields cleared for Corn.

I have sent two Persons with him to enquire into the truth of this, and have those People removed.

As to such Offenders being liable to be tried by a Court Martial, I conceive that people living out of the Settlements and at such places where there is no form of Civil Judicature in force and acting contrary to the orders of that Department, can be tried by the Martial Law, agreeable to the Articles of War, and that the actual Inhabitants of this and other remote Forts are liable to be tried in the Same manner if they do any injury to Indians or otherwise disobey the orders given by the General or Commanding Officer tho' they are not directly Connected with the Army.

But this can in no manner affect any Settlement that may be made hereafter in this part of the Country which Coming within the Known Limits of one of these Provinces, will consequently fall under its jurisdiction.

As you are pleased to let me know that Several Persons in your Government had formerly taken up Lands, on the Waters of the Ohio, by Patent under the Crown, I beg leave to observe that Whenever you shall think proper to permit those Persons either to Survey or take Possession of the said Lands it will be necessary that the Commander in Chief be informed of it; that I may receive his orders thereupon, and I beg you will be persuaded that as soon as it shall be Consistent with my orders to permit Settlements to be made in this Department: I shall take a particular Pleasure in giving the Persons Concerned all the Protection and assistance in my power.

I have the honour to be
Your most obedient
And Most Humble Servant,

H. B.

No. 7.—GENERAL AMHERST TO BOUQUET.

(Archives, series A, vol. 4, p. 105.)

NEW YORK, 28th February, 1762.

SIR,—I have lately received a letter from the Lieut. Governor of Virginia, enclosing a copy of a Proclamation issued by you, with a copy of his Letter to you on that occasion, whereby it appears that the said Proclamation has given some uneasiness to that Colony.

I must own, there appears nothing to me, but what seems Calculated for the protection of those who may have a Just Title to the Lands and to prevent others from settling thereon, and I have accordingly acquainted Lt. Governor Fauquier that this was my opinion of your Intentions from the Words of the Proclamation, and that I did not Doubt but your answer to him would be fully satisfactory, which, I flatter myself will be the case, as I would avoid doing anything that can give the Colonies the least room to complain of the Military power.

I am, Sir,
Your most obedient Servant,

JEFF. AMHERST.

No. 8.—GOVERNOR FAUQUIER TO BOUQUET.

(Archives, series A, vol. 18-1, p. 75.)

Wms BURGH, March 12th, 1762.

SIR,—I have the pleasure to Advise you that I Communicated your favour of the Inst. to his Majesty's Council who are in Every respect satisfied therewith, and have desired me to make their Sentiments known to you, which Task I undertake with great Satisfaction as they so Entirely Correspond with my own.

You may be assured that I shall give a Certificate in Writing to any one who has a Right by patent to any Lands under Consideration and shall not fail to inform you and his Majesty's Commander in Chief of my having done so.

The Persons who can make any Right appear, will be found I apprehend to claim Lands a great deal to the Southward of Fort Pitt, it having never been ascertained whether the Lands about that Fort are in this Colony or in Pennsylvania. Tho' I imagine the Instructions all the Governors on the Continent received by the last Packett will adjust all these Affairs by the absolute Prohibition of all future Settlements on Lands not regularly ceded to the King's Subjects by the Indians which is to be by Treaty and not by private Purchasers.

I am, with great Regard,
Sir, your most obed^t hum: Servant,

FRAN: FAUQUIER.

No. 9.—BOUQUET TO GENERAL AMHERST.

(Archives, series A, vol. 4, p. 120.)

FORT PITT, 1st April, 1762.

SIR,—This day, two hours after Col. Eyre had left this place, I received your Excellency's letters of the 28th February and 2nd of March, Convinced by my own experience in this inconsiderable Part of your extensive Command, of the multiplicity of affairs that must devolve upon you from the whole, I have avoided troubling you with a minute account of all the trifling events that occur daily here, in which number I must class Mr. Fauquier's letter to me, as I thought it intirely groundless and expected that my answer would have been fully satisfactory to him.

As I know of no legal Title People can have to settle Indian Lands, but what must be delivered from the powers given by the Crown to the Commander-in-chief or the Governors of Provinces, I imagined to have obviated all cavils by the exceptions I had made. Neither could I think that the Lieut. Governor of Virginia after desiring me to explain my Intentions in issuing that order, should complain to you before he had received that explanation. For certainly his letter to me in that case was an unnecessary trouble to himself and his express a useless expence to the Publick. I take the liberty to inclose a copy of the answer I made him at that time.

I never had any design to obstruct any man's Just-Rights, or give uneasiness to any body, and much less to a respectable Colony.

After having found every other method insufficient, I thought the fear of Punishment would deter the Outlaws, who were the only Persons I had in view from their vile practices, but tho' some are since fallen into my hands, they have suffered no other moiestation than to be expelled from their Improvements, and have their Hutts burnt, and they seem at last disgusted from making new attempts as they know, that tho' I overlook many things, I never do forgive a breach of orders in this departmt.

I had yet another reason to make my Intentions publickly known at that time, and which I thought best not to Communicate to Mr. Fauquier. I had been repeatedly informed that one Col. Cresop, who is concerned in one of the Ohio Companies (the favourite scheme of Virginia) was proposing by way of subscription to several familys to remove from the frontiers of that Colony and Mariland to form settlements on the Ohio. I foresaw that these poor people would be ruined by that bubble, and I was the more induced to credit that Report from an offer made me by that same Gentleman of a share, or 25,000 acres of these Lands, which did not tempt me.

In preventing in the district intrusted to me a scandalous breach of a recent Treaty, by the measure complained of, I cannot at least be charged with interested views or having exerted the little power vested in me, to the oppression of the subject or the Indian.

As an officer serving without prospect of a higher Rank in the Army, There is no object of ambition for me in this Country; and as a man I must have convinced every Individual who has been concerned in this department, of my disinterestedness in never receiving the most trifling acknowledgment from any man in it.

No Trader or Sutler ever paid me a shilling for their Licences, nor other people for the Plantations I was authorized by Gen. Monckton to grant along the Communication and at Red Stone Creek for the support of this Post, and I have constantly observed the same Rule with the Indians in accepting no Presents from them.

Divested of all motives of ambition, and without private views of Interest, I flattered myself to be free of any imputation of Partiality or Injustice, and having heard of no complaint from either of the two other Provinces, I must ascribe this Proceeding to the misfortune I had in the Campaign of 1758, to be obliged to differ in opinion with some Persons of Virginia about Roads and Provisions, and I am afraid I remain still obnoxious to them, which can only increase my desire of being removed from this command, if it was consistent with your Pleasure.

The obliging manner in which you are pleased to mention that affair to me, and so very different from Mr. Fauquier's behaviour, required with my most grateful acknowledgments that I should clear myself of an odious Imputation, the effect of a groundless Jealousy and the greediness of ingrossing those Lands, and tho' from the distance of my station, I may be obliged to act sometimes without orders to the best of my Judgment, It shall be my Constant endeavour not to incur your disapprobation, or disoblige any of the Provinces.

* * * * *

I have the honour to be &c.

HENRY BOUQUET.

No. 10.—GENERAL AMHERST TO BOUQUET.

(*Archives, series A, vol. 4, p. 131.*)

[EXTRACT.]—Soon after my letter to you relative to the Proclamation you had issued, which had given offence to the Virginians, I had one from Lt. Gov^r Fauquier, wherein he says: "Colonel Bouquet has wrote a very Sensible, Polite and Satisfactory answer, with which His Majesty's Council seemed very well pleased, and Desired that I would express their sentiments to him." This I make no doubt but the Lt. Governor has done and therefore I need say nothing more on the subject, as I was convinced your Intentions in publishing that Proclamation was solely for the protection and security of those who had a Just Right to the Lands, and I am very glad to find it appears in its true Light to the Lieut. Governor and Council.

I needed no assurance to be satisfied of your acting with Disinterestedness in the Department where you Command. And I cannot but approve of your never permitting any Trader or Sutler to pay for Licences. This is what I have always prevented.

* * * * *

I am, Sir,

Your most obedient Servant

JEFF. AMHERST.

No. 11.—THE PROCLAMATION OF 1763, REGARDING INDIAN LANDS.

(*Collection of Acts, published in 1800.*)

[EXTRACT.]—And Whereas it is just and reasonable and essential to our interest, and security of our Colonies, that several nations or tribes of Indians, with whom we are connected, and who live under our protection should not be molested or disturbed in the possession of such parts of our dominions and territories as, not

having been ceded to us are reserved to them, as their hunting grounds; We do therefore with advice of our Privy Council declare it to be our royal will and pleasure, that no Governor or Commander in Chief in any of our Colonies of Quebec, East Florida, ~~or West Florida,~~ do presume, upon any pretence whatever, to grant Warrants of survey, or pass any patents, for lands beyond the bounds of their respective governments, as described in their commissions; as also that no Governor or Commander in Chief of our other Colonies or plantations in America do presume, for the present, and until our further pleasure be known, to grant Warrants of survey, or pass any patents, for any lands beyond the heads or sources of any of the rivers which fall into the Atlantic Ocean from the West or North-West, or upon any lands whatever, which not having been ceded to or purchased by us as aforesaid, are reserved to the said Indians or any of them.

And We do further declare it to be our Royal will and pleasure, for the present, as aforesaid, to reserve under our Sovereignty, protection, and dominion, for the use of the said Indians, all the land and territories not included within the limits of our said three New Governments, or within the limits of the territory granted to the Hudson's Bay Company; as also all the land and territories lying to the Westward of the sources of the rivers which fall into the sea from the West and North West as aforesaid; and we do hereby strictly forbid, on pain of our displeasure, all our loving subjects from making any purchases or settlements whatsoever, or taking possession of any of the lands above reserved, without our especial leave and licence for that purpose first obtained.

And We do further strictly enjoin and require all persons whatsoever, who have either Wilfully or inadvertently seated themselves upon any lands within the countries above described, or upon any other lands which, not having been ceded to or purchased by us, are still reserved to the said Indians as aforesaid, forthwith to remove themselves from such settlements.

And Whereas great frauds and abuses have been committed in the purchasing lands of the Indians, to the great prejudice of our interests, and to the great dissatisfaction of the said Indians, in order therefore to prevent such irregularities for the future, and to the end that the Indians may be convinced of our justice and determined resolution to remove all reasonable cause of discontent, we do, with the advice of our Privy Council, strictly enjoin and require, that no private person do presume to make any purchase from the said Indians of any lands reserved to the said Indians within those parts of our colonies where we have thought proper to allow settlements; but if at any time any of the said Indians should be inclined to dispose of the said lands, the same shall be purchased only for us, in our name, in some public meeting or assembly of the said Indians, to be held for that purpose by the Governor or Commander in chief of our colony respectively within which they shall lie; and in case they shall lie within the limits of any proprietaries, conformable to such directions and instructions as We or they shall think proper to give for that purpose. And we do, by the advice of our Privy Council, declare and enjoin, that the trade with the said Indians shall be free and open to all our subjects whatever; provided that every person who may incline to trade with the said Indians do take out a licence for carrying on such trade from the Governor or Commander in chief of any of our colonies respectively where such person shall reside, and also give security to observe such regulations as We shall at any time think fit by ourselves or commissioners to be appointed for this purpose, to direct and appoint for the benefit of the said trade; and we do hereby authorize, enjoin, and require the Governors and Commanders in chief of all our colonies respectively, as well those under our immediate government, as those under the government and direction of proprietaries, to grant such licences without fee or reward, taking especial care to insert therein a condition that such licence shall be void, and the security forfeited, in case the person to whom the same is granted shall refuse or neglect to observe such regulations as we shall think proper to prescribe as aforesaid.

And we do further expressly enjoin and require all officers whatever, as well military as those employed in management and direction of the Indian affairs within

the territories reserved, as aforesaid, for the use of the said Indians, to seize and apprehend all persons whatever, who standing charged with treason, misprision of treason, murder or other felonies or misdemeanors, shall fly from justice and take refuge in the said territory, and to send them under proper guard to the colony where the crime was committed of which they shall stand accused, in order to take their trial for the same.

Given at our Court at St. James', the 7th day of October, 1763, in the third year of our reign.

NOTE F.

CANAL FROM LAKE CHAMPLAIN TO THE ST. LAWRENCE.

www.libtool.com.cn

No. 1.—EDWARD BANCROFT TO HON. T. T. TOWNSHEND.

(*Archives series, Q, vol. 43-2, p. 681.*)

SIR,—According to my promise, I have procured the original draughts of Mr. Deane's observations, respecting a Canal from Lake Champlain &c. and have caused transcripts of them to be made, after some abridgement of which I found them susceptible, and which I ventured to make, to save your time, as well as My Lord Sydney's, which I know the importance of. The observations thus abridged and transcribed I have now the honor of inclosing to you.

Should the plan of making a *navigable* Canal, from Lake Champlain, appear to deserve the attention of Government, I should suppose the first step to be taken, would be to order a survey to be made, of the distance and perpendicular fall from its two extremities, in order to ascertain the *expence* and the *practicability* of the undertaking, if indeed there be any doubt of this last point.

It was Mr. Deane's intention to have gone himself to Lake Champlain this summer, if his observations had in any degree been honored with Lord Sydney's approbation, but I am afraid his health will not allow him to do it, with any prospect of advantage this season. He is going a little way out of Town, but if you should at any time have any commands for him, I will take care that they shall be duly forwarded.

I have the honor to be with great respect,
Your Most Humble & Most Obedient Servant

EDWD. BANCROFT.

CHARLOTTE STREET
(RATHBONE PLACE)
July 10th 1788.

No. 2.—OBSERVATIONS (No. 1) RESPECTING A NAVIGABLE CANAL FROM LAKE CHAMPLAIN.

(Submitted to Lord Dorchester by S. Deane.)

(*Archives, series Q, vol. 43-2, p. 683.*)

Whether it might be for the interest of Great Britain, that the States of America should return to their former Connection with this Country, is a question on which there are different opinions, but as there is now very little probability of such an event, I shall avoid any discussion thereof.

The American States are at this time but little removed from anarchy and their credit, political as well as Commercial, is reduced almost as low as possible, and yet when their local situations and circumstances are maturely considered, it will appear that collectively, they must eventually become of great importance to every European power, which has possessions either insular or continental, in that quarter of the world. It will hardly be possible for these states to continue long united in one general confederation and whenever a disunion takes place, it will separate the strong from the weak, or the northern from the southern states. By the former I mean the states East and North of the River Delaware. Of those the New England

States are, and will continue, the most powerful, their country is naturally strong, and it is already populous, and they are the only States in America in which a maritime and adventurous spirit predominates.

They are acknowledgeably but four at present, but will soon be six, Vermont is in fact already independent, and the province of Maine will be so in a few years, by which there will be six States, united by Blood, Manners, Religion and every Tye, which unites and holds men in one common interest. They have sprung from one common stock, from English ancestors, who, first settled in New England, and at this time more than one half of the inhabitants of New York and New Jersey are Emigrants, or descendants of Emigrants from the New England States. When to this circumstance that of the local situation of this Northern Division is added, it is highly probable they will continue for a long time after this separation, united among themselves, and that they will for ever give laws to the rest of the States, who from their situation, Dissonant Manners and Habits, and from the heterogeneous Tempers or materials (as I may say) of which they are composed, have no basis on which they will ever be able to form a lasting union.

In case of a war between Great Britain and France, or Spain, the Friendship of this Northern Division of the American States will be of very great importance. For although they have not at present, and probably will not soon have a Maritime Force of any great strength, yet they can by the number and Hardiness of their Seamen do infinite mischief to the Commerce of that Power, against which they may take part.

During the Late War the American Privateers made a greater number of prizes of British vessels than France, Spain or Holland together, and this although they fitted out their Cruisers under every disadvantage; and of the armed vessels which made these Depredations in the British trade, four out of five belonged to this Northern Division; This recent instance justifies me in saying that it will be of very great importance whenever the supposed disunion takes place, to secure the Friendship and Alliance of the Northern States, whilst the Southern States, will never be of any consequence, except in point of commerce.

Mutual convenience and interest form the most sure basis for a permanent alliance between nations and in this instance both are to be found, for there is no nation in Europe, with whom an alliance can be so natural and beneficial to the above mentioned States, as with Great Britain. In peace, four fifths of their commerce must centre in this Kingdom, and in war no power can assist, or distress them so much as this can by a Maritime Force at Halifax, or an army at Canada. Their present ill temper will soon subside and pass off, and there is more of it to be met with in newspapers than any where else.

It is not my design to enter on a detail of those measures, which ought to be adopted and pursued on this subject, much less to recommend a treaty with Congress, in their present weak and divided state, in which they must necessarily remain until the above mentioned division takes place (and this is much nearer than is generally apprehended). For in the actual state of things in America, there is in fact no power to treat with, and from the nature of the commerce between the two countries and the present state of it, there is nothing, or next to nothing to treat about.

But when the Northern shall be separated from the Southern States, a more firm and efficient system of Government will be adopted by the former and the Friendship and Alliance of this Division of the States will be infinitely preferable to any Treaty whatever with the whole.

I think therefore that Great Britain will act wisely in looking forward to these events, and being ready to take advantage of them. And this will be most effectually done by being able in case of a future war in which the Northern States may be disposed to join to do them the most essential services on one hand, or the greatest mischiefs on the other, according to the part they may take.

The situation of Halifax is such, that a maritime force stationed there, can with the utmost facility command the whole of the coast, and intercept their commerce

and Lake Champlain extending two hundred miles from North to South, from the centre of Canada, to the centre of the frontiers (and far within them) of this Northern Division presents an object of great importance for the above purpose.

If the Northern Division and Confederation of the American States are masters of this Lake, they can, if hostile to Great Britain, distress and even destroy the settlements in Canada, on the other hand, if Great Britain at this time takes such measures as will secure the future command of this Lake, her possessions in Canada will, in case of Hostilities be secure, and she may thence carry the war into the heart of the Enemies' Country. By the late Treaty of Peace, nearly the whole of this Lake is included in the Territory of the American States. The country round it, and down the rivers running into it, is already in a great degree settled by emigrants from New England, and will in a few years become as populous as any part of America. But those settlers cannot find a market for the production of their labour, but over this Lake and through Canada, nor can they be supplied with those heavy articles from abroad, without which they cannot exist, but through the same channel, for if they look Southward for markets, the distance and the expences of carriage are intolerable.

This commerce is in many respects an important object to this country; it will of itself create a large and annually increasing demand for coarse and heavy manufactures, in return for which there will be sent into the River St. Lawrence the finest masts and spars of any in America, and in the greatest quantity for the British Navy, and beyond Comparison the best Oak Timber of any in America for Butt, Pipe, Hogshead or Barrel Staves, for the British or West Indian markets. The most material articles wanted in the British West Indies, from the Continent of America are Flour, Horses, Fish and Lumber, principally staves for Rum and Molasses casks or hogsheads.

Other necessaries may be had from other countries, and some may be raised in the Islands, and some articles consumed by them at present may be dispensed with, but Oak Staves cannot. Nova Scotia and Newfoundland can supply Fish, and Canada Flour, in large quantities and some Horses.

Canada also produces many other articles consumed in the West Indies, and were a Trade open'd and encouraged from thence to the Islands, the British possessions on the Continent might soon be brought to supply her Islands with everything, except what may be sent on better terms from Europe.

Canada has little or no Pine fit for masts, and no Oak of any value; These deficiencies may be abundantly supplied by opening a Navigable Canal from Lake Champlain round the Rapids or Falls at St. John's into the navigable waters below them, and by opening a free Trade with Vermont and with the Frontiers of New England and of New York. By this it will at all times be in the power of Great Britain to send a Naval Force into that Lake and command the Navigation of it, and thence whatever may happen it will not be the interest of New England and New York to be on unfriendly terms with the British Government.

By this all the Trade of that extensive country, the Inhabitants of which are rapidly increasing will centre in Canada, which will be of more service and benefit to Great Britain than if all that Country round the Lake had been included in her American Dominions at the Peace.

Whenever the division of the States takes place, it must also necessarily be in the manner I have mention'd, and in all future times subsequent to that Revolution, the Southern States, whether united or not, must have the same friends and the same enemies with the Northern, on account of their inferiority in numbers and strength, and from their Local situation.

October 25th, 1785.

No. 3.—ADDITIONAL OBSERVATIONS (No. 2) RESPECTING A
NAVIGABLE CANAL FROM LAKE CHAMPLAIN.

www.libtool.com.cn
(Submitted to Lord Sydney by S. Deane.)

(*Archives, series Q, vol. 43-2, p. 693.*)

There can, I think, be no doubt of the practicability of cutting a navigable canal from the water of Lake Champlain, round the Rapids into the level of the River below them. To ascertain the expence of doing this, it will be necessary to procure a survey of the ground through which the Canal is to be cut, and an estimate of the distance from the upper to the lower level of the water; and of the perpendicular height of the fall between these points. This survey and estimate might be made by any tolerable engineer in a few hours, and when made the expence of the proposed Canal might be easily calculated with considerable certainty.

But in an undertaking of this kind, the expence must not be rigorously calculated and opposed to its pecuniary advantages, these being but a part of the benefits which it certainly will produce, for besides the great and continually increasing profit arising from the transportation of bulky and heavy goods and merchandize to and from Lake Champlain by the proposed Canal, and the great extension of British commerce necessarily resulting from it, there are important political considerations which intitle this undertaking to the immediate protection and encouragement of His Majesty's Ministers as it will eventually enable the King's remaining American subjects to supply the British West India Islands, with those productions, which Great Britain and Ireland cannot well, if at all afford; and at the same time secure the Province of Quebec against all danger of future invasion from the United States, should they hereafter join any power at war with this Kingdom.

The articles wanted in the West Indies are chiefly the following: Horses, Live Stock (such as Cattle, Hogs, &c.), Flour, Lumber of all Kinds, Fish and some others of less importance. Horses are raised in Canada but not equal to the demand in the Islands, and they are a heavy sluggish breed, fit only for mills, and carts (for which they answer tolerably well) but for other purposes, the Horses bred in New England and in New York are preferr'd. Fish may be sent from Nova Scotia and Newfoundland; and the manufacture of Flour is encouraged in Canada, which the opening of this Canal, by affording water to erect mills upon will greatly tend to do, the Islands may at all times be supplied from thence at a cheaper rate than from any other country. The Lumber wanted in the West Indies (and which is an article not to be dispensed with) is not to be found in Canada, or Nova Scotia, in any sufficient quantity, but the country round Lake Champlain abounds with Timber of the best quality, for that purpose, and by the proposed Canal it may be procured and sent to the West Indies with the cargoes of Horses, Flour, &c.

But the supplying of the West Indies with what they want is, although the great object, not the only one. Let anyone cast his eye over the map of the country situated and bordering upon Lake Champlain, Lake George and the waters communicating with them and he will see at once, that an immense extent of territory, now rapidly becoming populous, can never be supplied with heavy, coarse and bulky goods by any means so well as through Canada, and that there must be a certain, and for ages to come, an increasing demand for the Sugar, Rum, Salt and other productions of the British West Indies and for the coarse woollens, hardware and other heavy bulky manufactures of Great Britain.

If it be asked how these goods are to be paid for, I answer that this is the business of individuals, and that when Government has removed obstacles which cramp or impede commerce, everything is done which true policy dictates; and there can be no danger but those concerned in trade will do their part and take care of themselves.

But it has been proved that this country, when the proposed communication is opened, will have ample resources to pay for the articles wanted from the West

Indies by its lumber and other produce, and for European remittances it will have everything the Northern States have or ever had, Fish and Oil excepted.

It has immense forests of Pine of the largest size and of the best quality in the world for masts, which may be met with on the banks of these waters and floated into the St. Lawrence, and then shipped for Great Britain. The richest and best iron mines in America, or perhaps in the world, are found on the banks of Lake Champlain; and from the low price of coal and the facilities of water carriage, iron may be manufactured and sent to market to great advantage. Potash, Flax Seed, Wheat and other articles may be had in that country and in great quantities as the population increases. Every commercial acquisition or advantage must ultimately prove a political one to this country, if not grossly perverted and misapplied, but besides the commercial advantages resulting from this plan, there is one of great political importance to the future peace and security of the British settlements in Canada, by forming this Canal of such a depth as to float vessels of ten or twelve feet water, from the St. Lawrence into the Lake, and by limiting the commerce on the Lake, except in small or open boats, to British bottoms, the Lake will at all times be under the command of Great Britain, and in case of a war with the American States all danger of an invasion of Canada will be removed. Moreover, by this intercourse in which the advantages will be mutual, the Northern parts of New England and New York with Vermont will become averse to a rupture with Great Britain and will scarcely be possible for the other States to force them to join in offensive measures, since if ever they should become so infatuated as to fly directly in the face of their own interests, all sources of foreign supplies, except at an intolerable expence, would be instantly cut off, their trade ruined and their country exposed in every part to be invaded and harassed from Canada, on which, by their having no force on the Lake, it would not be in their power to retaliate.

The above are the outlines of a plan which may be executed at an expence very inconsiderable when compared with the magnitude of the objects in view. I am fully convinced of the practicability of what I propose, and of the consequences pointed out, that were I in the same situation, in point of fortune, in which the late unhappy contest found me, I would, with the assistance of my friends, undertake on private account, but in the first part of the late war I suffered great losses by the active part which I took, and in the latter part of it, and since its conclusion much greater by the prejudices and resentment of my countrymen for having pointed out their dangerous situation and the fatal consequences of their independency, and urging for a reconciliation with Great Britain. Although there are individuals in my acquaintance in this country able to advance a Capital equal to the undertaking, yet men of that description have objects at home and cannot be easily prevailed on to embark in distant enterprises. From the best information I have been able to collect, it is my opinion that about £10,000 would be sufficient for the undertaking and that a moderate toll on goods transported on the Canal would pay the interest and in time refund the capital.

If Lord Dorchester continues to approve of this plan, and if the ultimate expence comes any way near the sum mentioned (£10,000), it cannot, under any circumstances, be an object of any consequence with Government to advance it, by installments, as the work advances, under the inspection and control of His Lordship and of his successors in Government.

The lands purchased, the Canal and works of every kind which may be erected might be pledged to Government as a security for the repayment of the money, or within some given term, interest on it not to commence until three years after the work shall be completed; and in all future times ships and stores belonging to Government shall pass the canal free of toll, as shall masts and spars for the use of His Majesty's Navy.

By this, the only expence to Government will be the interest of the Capital, for a certain term, which will be very inconsiderable when compared with the above mentioned advantages.

In writing my former observations on this subject, I felt myself perfectly disinterested and I am equally so at present, excepting a very natural and I hope justifiable desire of obtaining some useful employment, which might enable me to retrieve a part of my losses, and rise from my present embarrassed situation. Should this plan be approv'd, and should I be employ'd in the execution of it, I flatter myself, I might render services to the Publick, as well as to myself, but being wholly unknown to the King's Ministers, I have perhaps little reason to expect this favour; though having suffered on account of my former endeavours to procure a reconciliation of the American States with Great Britain, it would afford me satisfaction could I benefit myself in a way, whereby I might also be useful to both countries.

March 26th 1787.

No. 4—SILAS DEANE TO EVAN NEPEAN.

(Archives, series Q, vol. 43-2, p. 720.)

SIR,—I take the liberty of sending you herewith some observations and remarks, which I made at different times, as will appear from the perusal of them. A long confinement by illness has prevented my attempting to carry any part of my plan into execution and though at this time I have recovered a good state of health, still I cannot enter on it with propriety, without knowing in some degree, the opinion of His Majesty's Ministers on the subject specially as Lord Dorchester informs me, that he has wrote his opinion of it to Lord Sydney, and has recommended it to his patronage. I am sensible of the importance of public business, which must at this time engage His Lordship's attention, but the advancing season, with other circumstances, render it necessary for me to obtain, if possible, some decision. Lord Do. chester is of opinion that what I propose is both practicable and useful, if Lord Sydney shall agree with him, I wish to enter on the business without further delay. A ship will sail from London early in June, for Quebec, and as I propose to take a passage in her, you will oblige me by giving the enclosed a perusal and to forward the proposed undertaking if it meets with your approbation.

I have the honour to be with much respect, Sir,

Your most obed't

and very hum. Serv't,

S. DEANE.

GROSVENOR PLACE,
CHAPEL STREET No. 7,
May 20th 1789.

P.S.—When you have perused the enclosed I wish to wait on you, on the subject, and as early as may be convenient.

(There were four enclosures, two of these duplicates of the "Observations" published in this note; another had notes on these observations. The fourth follows:)

No. 5.—OBSERVATIONS AS TO COST &c., OF THE CANAL BY SILAS DEANE.

(Archives, series Q, vol. 43-2, p. 727.)

Supposing the distance to be eight miles to be cut to carry a Canal round the rapids at St. John's, so as to have a navigation from the St. Lawrence, into the Lake Champlain, for boats and for vessels drawing six or seven feet of water, the Canal for this purpose must be twenty feet wide and eight feet deep, this is a large allowance

or calculation, one-half will answer for large boats, but when the work is in hand, an addition of width and depth to what is absolutely necessary at the time will cost little to what it will at some future period, when it may be wanted and when a stop must be put to business to effect it; and Lake Champlain being navigable in every part of it for large vessels, renders it the more prudent to make the canal in proportion. Let it be supposed in the first place, in order to form a calculation, that the ground to be cut through is of a sand, loam, or gravel removeable by the spade and pickaxe one mile in length, twenty feet in breadth, and eight feet deep will be equal to 844,800 cubic feet of earth. Suppose a labourer to dig and remove six feet deep and eight feet square in one day or 288 feet of cubic earth, then 2,933 days of labour will dig one mile in length, twenty feet wide and eight feet deep; but allow 2,950 days — 2,950 days, diet included at 2s 6d. per diem is £368 15s. but allow for banking &c., £131 5s. in addition and it will be £500 per mile, and eight miles £4,000, interest at 5 per cent £200 per annum, and add for annual repairs of bank and lock £50 per annum, the annual expenses will be £250. It is estimated that at this time there are at least 2,000 cart or waggon load of goods, transported round those falls, or rapids annually. This cannot be done at less than 8s per load, allowing nothing for the starting of hoops, leakage of casks, breaking of bales &c., incident to a land carriage, and not to one by water, deduct £250 from £800, the amount of the land carriage, the e will remain £550 for the transportation on the Canal. At present a vessel below the rapids, must be unloaded, and then waits for carts and waggons to be reloaded with them, a considerable expence, especially if put into store and other ways they must be exposed to the rain and snow, to which they must be at any rate in the waggons and carts. But the boat passing on the Canal into the Lake may go along side of the ship below, and taking the goods on board, there will be but one moving of them by hand instead of five or six in the other case, and the above damages will be avoided. A boat or vessel constructed for the purpose, and navigated by four or five men and a boy, will transport as great a quantity of goods as fifty or sixty waggons or carts, with this material difference, that such a vessel is not obliged to unload, on entering the Lake, but may proceed with her cargo to those ports or creeks to the Lake, nearest to where the goods are wanted for consumption; and may take a freight back of corn, flax seed or such articles of produce, as the inhabitants have to dispose of, and by passing down the waters of the Canal, may deliver the same for any foreign market.

To show how great a profit this is capable of, will select one article which cannot be dispensed with in any country, and for which no substitute can be found, that of salt. The track of country lying between Lake Champlain and Connecticut River is already in a great part settled, and the inhabitants and cultivation are rapidly advancing, and it is the same with the country between the south waters of the Lake and Albany, no part of that extensive territory can find so convenient a market as on Lake Champlain. There are five or six rapids or cataracts on Connecticut River, between the above mentioned inhabitants and Hartford, to which it is barely navigable for sea vessels, as they are called, and in addition to this, the river in all this distance is absolutely unnavigable for more than one-half the year, by ice and freshes. The river Hudson is navigable to Albany and no farther, above that like the Connecticut River it has rapids at every small distance. From this situation of the country it is evident, that a safe navigation opened on Lake Champlain will command the trade of this extensive country, and the proprietor or proprietors of this proposed canal will hold the key to the whole of it, for all heavy and bulky goods, as well as for the article of salt, to which I will now turn my calculation.

The common price of salt in Vermont is, and has been two dollars, or nine shillings sterling per bushel, and the people to this time have had no market for their wheat or flax seed or other produce, except for their cattle, horses and sheep, which may, though at an enormous expense, be drove to the southward. Salt either from Europe or the West Indies may be delivered at the foot of the above canal at 1s. to 1s. 3d. per bushel, and give a good profit, but allow 18d. in calculation. The

vessel above described may there receive and carry to market and suppose her to take but one thousand bushels which will be but a moderate cargo, and allow her forty days to go up the lake with it, to unload, and to return, the account of her voyage, making large allowance for each particular, may be thus estimated,—One thousand bushels of salt at 1s. 6d., £75; 40 days wages and victualling £30; wear and tear, as it is called, of the vessel, £15 and allow for contingent expenses £10, total £130 or 2s. 7d. per bushel delivered at any port or creek of the Lake, and if sold at 5s., little more than one-half the present price, the amount will be £250, a profit of £120 on a voyage of forty days. This is allowing the vessel to return empty, but the vessel which carries one thousand bushels of salt will bring back a thousand bushels of wheat or flax seed, or a quantity of other articles in proportion, such as salted provisions, pot and pearl ashes &c. so that at all times as good a freight may be expected back or home, as out, and salt now selling at 9s. sterling per bushel, must command an immediate sale at 5s.

Suppose, for instance, in the way of barter, which must be almost the sole, as it is in this case, the most profitable way of dealing, that two bushels of wheat, or three of flax seed, be given for one of salt, the profit will be more than double the above calculation, which is every way within bounds. The country above described is exceedingly good for wheat and flax, but not for Indian corn and other produce to the southward. At this time there is no market for their wheat and flax seed but their home consumption, but could they be disposed of at a certain market, at the above rates, the cultivation of them would increase beyond what can be easily calculated for, and both those articles must come to the hands of the proprietor, or proprietors, of this canal at one-half, or about one-half, the current price of them in New York or Philadelphia, which towns have formerly almost exclusively supplied Ireland with flax seed, and the West Indies and part of Europe with flour. It is unquestionably the interest of Great Britain to have her islands supplied with flour and lumber, and Ireland with flax seed and timber of all sorts from Canada in preference to any other country. Canada was settled by the French within a few years as early as New England was by the English; the French Government gave no encouragement to anything but to hunting. Furs and peltry were their sole object; the Province had not a single ship belonging to it, in any commerce whatever, during the whole period of its belonging to France, a few fishing vessels for the river and the banks, mostly employed for fish for their home consumption, excepted. This Province exhibits in its history a striking proof of the necessary connection between agriculture and commerce, and of the aid they mutually afford each other. The Canadians being deprived of commerce, their agriculture remained in so wretched a state that the French troops in the country, and even the inhabitants in and near Quebec, received their flour from France; and with as great advantages for a trade with the West Indies as any part of America, they appear only to have heard, or read, of such a country, for they received the sugars and other productions of these Islands from France, and so extremely ignorant were the inhabitants of the nature of the soil they lived on, that they did not suppose it capable of producing wheat, other than a miserable crop of summer growth, as it is called; but within ten years after its being under the British Government, this Province besides its internal consumption raised wheat for exportation, to the amount of more than three hundred thousand bushels in one year. This digression to mention a fact well known to those who have attended to the history of that Province, is made to show what improvements have taken place in the Agriculture and Commerce of that country, and thence in some degree to justify the assertion that it is capable of still greater and that the present period, when Great Britain is totally separated from her ancient colonies on that Continent, is the most favourable for making them, and I trust it has been demonstrated that this may be done without any expence to Government.

It may not be improper to add, that the winter in all the Northern parts of America, is a dead season of the year in almost every particular, and the farmer is employed in taking care of the cattle and in consuming the produce of the summer,

or in the carrying of it to market in the best manner in his power, but the variable-ness of the weather on the sea coast, rain and thaws following close on snow and frost, renders his transportation extremely precarious. But it is different in the parts here mentioned, which being far inland, the weather is steady and uniform, and frost and snow prevail almost without exception from December to March, which is a circumstance of vast importance to inland carriage. Two horses will draw as much in a sleigh, on snow or ice, as six in a waggon or cart, on the best road in summer. It is indeed, not easy to find any situation in any country (there is none in the British Dominions) of which advantages of equal magnitude and extent, to the public as well as to individuals, may be acquired with so small a capital and risque as in the above. Let us suppose, that instead of going round the Falls into the River St. Lawrence by the River Sorel (which is a bad navigation) that the Canal be carried directly from the Lake into the River at the foot of the rapids by Montreal, to this point in the River St. Lawrence a frigate of thirty guns can go, consequently there must at all times be water sufficient for the largest merchant ships loaded. Allow the distance to be twice what has been calculated for above or sixteen miles (this is more than the real distance) in a strait line, the fall of the water, or difference between the level of Lake Champlain and that of the River will be the same, the expence of the Lock will of course be the same. But by all accounts the digging will be much easier than in the former, the land being a sand and loam thro' the whole distance. But the advantage must exceed the expence to a vast amount beyond what at first can easily be calculated. In the first place the difficult and winding navigation of the Sorel River will be avoided. In the second place the wheat produced above Montreal, or in upper Canada, through the whole extent of it may be brought to the mills by water, at the same expence as it is now brought to be shipped in grain, and the same of other articles, and what is of some consequence, the mills without any land carriage, may supply the town of Montreal, and its vicinity, with flour for home consumption. Equal advantages will arise from other articles, without losing any of those before mentioned on the Lake Champlain.

Allowing the distance to be sixteen miles, and the expence of cutting the Canal to be double, the expence will then amount to twice the sum of the above calculations, as to the digging and the banking, but the lock will be the same. But to take it at an even sum, suppose the cutting the Canal and making the Lock to amount to £2,000, the interest at 5 per cent. to amount to £400 and the repairs as before at £50 and there will still remain a balance of £250 per annum in favour of the Canal, when compared with the expence of carting, without taking into consideration the above mentioned important advantages of its being cut directly to the River, as here proposed.

Endorsed.—Observations, 1788.

NOTE G.—LIST of Books, &c., presented, with the names of the givers.

Names.	Residence.	Works.
Akins, Dr. T. B.	Halifax, N.S.	Reports, pamphlets, &c.
Bain, James, jr.	Toronto, Ont.	Pamphlets.
Beckwith, H. W.	Danville, Ill.	Works on the Indians.
Canadian Society of Civil Engineers	Montreal, Q.	Reports and transactions.
Charlton, John, M.P.	Lyndoch, Ont.	Pamphlets.
Connecticut Historical Society	Hartford, Conn.	Celebration of the 250th anniversary of the first Constitution.
Cruikshank, Ernest	Fort Erie, Ont.	Pamphlets.
Curzon, Mrs.	Toronto, Ont.	Gentleman's Magazine, 1778.
De Peyster, General	New York	Collection of books and pamphlets.
Dionne, N. E., M.D.	Quebec.	Pamphlets.
Drysdale, W.	Montreal, Q.	do
Fleming, Sandford, C.M.G.	Ottawa, Ont.	do
Gagnon, Hon. C. A. E.	Quebec	Lettres et journaux des campagnes du chevalier Lévis, and other works.
Grant, Sir James	Ottawa, Ont.	Pamphlets.
Harper, Dr. J. M.	Quebec	Champlain's Tomb.
Hind, H. Y.	Windsor, N.S.	Sketch of the old Parish Burying-ground of Windsor.
Huot, Lucien.	Montreal, Q.	Siege of St. John's (E. and F).
Master of the Rolls.	London, Eng.	Publications of the Public Record Office.
Michigan Historical Society.	Lansing, Mich.	Pioneer Collection.
Missouri Historical Association	St. Louis, Mo.	Pamphlets.
Moody, J. W.	Yarmouth, N.S.	Lieut. James Moody's narrative, 1776.
Moreau, Rev. S. A.	Ste. Agathe des Monts.	Histoire de Berthier.
Newby, F.	Ottawa, Ont.	Pamphlets.
New York Historical Society.	New York.	Frontenac and Miles Standish in the North-West, and pamphlets.
Potomtuck Valley Association.	Deerfield, Mass.	Captivity of Stephen Williams, 1703-4.
Royal Geographical Society.	Edinburgh, Scot.	Geographical Magazine.
Scadding, Henry, D.D.	Toronto, Ont.	Journal of E. B. Littlehales.
Taché, Archbishop.	St. Boniface, Man.	Pamphlet.
Toronto Public library.	Toronto, Ont.	Catalogues, &c.
White, Richard.	Montreal, Que.	Pamphlets.
Winsor, Justin	Harvard College, Cambridge, Mass.	Catalogue of the Sparks MSS.
Wisconsin Historical Society.	Madison, Wis.	Reports and proceedings, &c.
Wurtzle, F. C.	Quebec	Pamphlet.
Yale College	New Haven, Conn.	Reports.

www.libtool.com.cn

1779. November 3, Quebec.	William Grant to Haldimand. Transmitting letter from James Collins, master of the rebel privateer "Cumberland," containing his version of the destruction of the sealing posts.	Page 145
July 26, Quebec.	George Ramsay. Deposition as to fray between the crews of the "British Queen" and "Empress of Russia."	150
July 27, Quebec.	John Murphy. Deposition as to the fray with the crew of the "Empress of Russia," corroborated by Thomas Prossert and William White. Crew of the ship "Empress of Russia." Representation of the facts of the quarrel between them and the crew of the "British Queen."	152 154
1780. February 21, Quebec.	Constant Freeman to General Haldimand. Praying for the release of his son from on board the prison vessel.	124
April 21, Boston.	House of Representatives, Massachusetts. Leave for James Freeman, and his brother and sister to visit Quebec.	110
May 16, Council Chamber, Boston.	Same. Leave to James Freeman and Thomas Payson to proceed under flag of truce to Quebec with prisoners for exchange, with conditions, &c.	111
June 23, Boston.	Same. Authorising Shubael Cook, master of the cartel sloop "Sally," to receive prisoners on board.	115
June 28, Boston.	Job Prince. Joint power of attorney by him and Benjamin Cobb to James Freeman to collect the debts, &c., due in Canada to the late Benjamin Home, intestate.	117
July 3, Council Chamber, Boston.	House of Representatives to the Governor of Quebec. Asking for the release on parole of Dr. Peter Hadengrau, till he can be exchanged. Petition of his wife attached.	119
July 6, Boston.	Joshua Mesereau. Certificate of Captain McFall's parole, and that a soldier is to be sent in exchange.	137
July 22, Council Chamber, Boston.	House of Representatives. Instructions to Captain Shubael Cook for his conduct in command of cartel sloop "Sally," and for the exchange of prisoners.	113
July 26, Quebec.	John Wood. Deposition as to the fray with the crews of the "British Queen," "Empress of Russia" and "Lady Georgiana."	148
July 27, Council Chamber, Boston.	House of Representatives. Authorising Sara Malcolm to put Ann Watts, an infant, on board the "Sally" to be sent to her father in Quebec.	116
August 20. Cartel Sloop.	John Freeman to Captain Freeman. Complaining that the cartel sloop has been turned into a prison and over crowded with soldiers. The sufferings of himself and others from vermin. Praying for relief.	121
October 4.	Thomas Payson to General Haldimand. Praying to be allowed to go on shore. He protests his innocence of any offence.	126
November 20, Cartel Sloop.	Shubael Cook to Captain Schank. Praying that permission be given to sell the vessel, and that those on board may go home by land.	128
	Thomas Mayhew to the same. Complains that Freeman and Payson refuse to pay the hire of his sloop. Asks leave to sell and stay in Quebec or return by land.	129
November 22, Brigantine, St. Peter.	Thomas Payson to the same. Letter from him and J. Freeman that if allowed to go ashore they will remain till spring and submit the claims of the owner of the cartel to arbitration.	131
November — Quebec.	List of papers on board the cartel "Sally."	183
1781. April 13, Quebec.	General Haldimand. Pass for the cartel "Sally" to return to Boston, with reasons for her detention and rules for future cartels.	134
No date.	Shubael Cook to General Haldimand. Memorial as to repairs of his sloop, the "Sally," previous to his return.	136

1781.

Richard Cornwall. Certificate of having taken goods on board the sloop "Chipaway" in November, 1775, which were ordered to be destroyed by Colonel Caldwell. Page 138
 Captain McFall. Declaration as to the proceedings of the cartel sloop "Sally" between Boston and Quebec. 139

MEMORANDA RELATING TO HON. J. COCHRANE.

1778—1784.

B. 208.

B. M., 21,868.

1778.	Lord George Germaine states that the security of the province is the primary object of attention.	
1779.	Approval of securing inland communication.	Page 1
	State prisoners to Nova Scotia.	1
	Remarks on du Calvet's case.	1
	Cuthbert's case.	3
	Ducorne's case.	4
	Charles Hay's case.	4
No date.	Respecting complaints from mercantile people.	5
	Complaints of contractors' agents, &c.	5
	Judge Fraser's memorial.	5
	The fur trade of the North West.	6
	Respecting authority to the agent to sell bills of exchange on credit.	6
	Speech of the judge previous to delivering judgment in the suit to recover balances due on bills of exchange in 1781.	9
1784.	Memorandum of transactions, summer 1784.	
	Negotiations between Americans and British Indians.	24
	Settlement of Loyalists.	24
	Census taken.	24
	The North-West fur trade.	25
	The publication of du Calvet's pamphlet of protests in the council.	26
	Apprehensions as to disturbances on the frontier.	26
	Instructions left with the Lieutenant. Governor.	27
	Deputation of Six Nation Indians, with report of proceedings at Fort Stanwix.	27
	Judge Mabane's declaration on his competency to give judgment in the case of Cochrane.	27

CORRESPONDENCE WITH HON. J. COCHRANE AND DAVID GORDON.

1779—1784.

B. 209.

B. M., 21,869.

1779.	Index of letters between General Haldimand and the Hon. John Cochrane.	Page 2
October 13, Quebec.	Index of letters between General Haldimand and David Gordon, &c. John Cochrane to General Haldimand. Relative to demand of Mr. Callender for settlement for provisions; desires to know the amount he requires over requisitions.	4
October 22, Quebec.	The same to the same. Respecting the best mode of raising money, if no credit is to be given for bills of exchange.	5
1781.	Same to the same. Representing the impossibility of raising money by bills of exchange without giving credit.	5
June 1, Quebec.		5

1781.			
June 12, Quebec.	General Haldimand to John Cochrane. The instructions from Harley and Drummond prevent giving credit on bills of exchange. For the service of Government credit may be given under certain restrictions.		Page 86
June 15, Quebec.	John Cochrane to General Haldimand. With list of bills of exchange. Has authorized Mr. Callender to negotiate at Montreal.		10
June 17, Quebec.	General Haldimand to John Cochrane. Authorizing drawing of bills.		109
June 21, Quebec.	John Cochrane to General Haldimand. List of bills of exchange applied for.		12
June 25, Quebec.	General Haldimand to John Cochrane. Authorizing drawing of bills.		109
June 28, Quebec.	John Cochrane to General Haldimand. List of bills of exchange applied for.		12
June 28, Quebec.	Same to the same. List of bills of exchange applied for and granted.		13
June 30, Quebec.	General Haldimand to John Cochrane. Acknowledging list of bills of exchange applied for, and granting their issue.		88.110
June 30, Quebec.	John Cochrane to General Haldimand. List of bills applied for.		14
July 4, Quebec.	General Haldimand to John Cochrane. Authorizing drawing of bills.		110
July 4, Quebec.	John Cochrane to General Haldimand. List of bills applied for.		14
July 5, Quebec.	General Haldimand to John Cochrane. Authorizing drawing bills of exchange.		110
July 7, Quebec.	John Cochrane to General Haldimand. List of bills applied for.		15
October 20,	Bills drawn on Harley and Drummond on requisition.		15
1782.			
January 15, Quebec.	Captain Mathews to John Cochrane. The General desires to have a statement of accounts.		89
January 16, Quebec.	John Cochrane to Captain Mathews. Respecting his accounts with the deputy paymasters at Quebec and Montreal.		15
February 21, Quebec.	General Haldimand to John Cochrane. Remarks on the title of his (Cochrane's) accounts, and on the permission to issue bills on credit.		89
February 22, Quebec.	John Cochrane to Captain Mathews. Declines to enter into a controversy with General Haldimand as to his method of conducting business.		18
June 18, Quebec.	Captain Mathews to John Cochrane. Report of interview with Mr. Cochrane as to the state of the accounts.		92
June 28, Quebec.	The same to the same. To send account of requisitions; orders respecting specie and state of the military chest.		97
June 29, Quebec.	The same to the same. Not to issue any of the lately arrived specie without the Governor's approbation in writing.		98
July 1, Quebec.	John Cochrane to Captain Mathews. Respecting the state of the military chest, and of the accounts with Messrs. Harley and Drummond.		19
July 1, Quebec.	The same to the same. Cannot understand the restrictions placed on him by General Haldimand as to issuing money; will send copy of his instructions.		22
July 12, Quebec.	The same to the same. Transmitting extracts from his instructions.		24
July 12, Quebec.	Captain Mathews, to John Cochrane. The General desires to have a copy of instructions to Cochrane.		93
August 3, Quebec.	General Haldimand to the same. Requisition for £50,000; bills to be drawn for ready money only.		99
August 7, Quebec.	The same to the same. Demanding account of those indebted for bills drawn.		100

1782.			
August 12, Montreal.	John Cochrane to General Haldimand.	Will send information on his return to Quebec.	Page 25
September 14, Quebec.	Captain Mathews to John Cochrane.	Repeating the orders for the rendering of accounts.	101
October 23, Quebec.	The same to the same.	The General desires that the collection of the outstanding debts be the first object.	101
December 19, Quebec.	The same to the same.	Requiring quarterly account.	102
1783.			
February 7, London.	Harley and Drummond, to John Cochrane.	Dismissing Mr. Cochrane for disobeying instructions.	133
February 13. Quebec.	The same to the same.	Confirming their letter of the 7th February.	135
April 18, Quebec.	Captain Mathews to the same.	For the quarterly accounts.	103
April 19, Quebec.	John Cochrane to Captain Mathews.	With list of outstanding debts.	35
April 20, Quebec.	Captain Mathews to John Cochrane.	The General is surprised at the small reduction of the debts; he desires to know if Mr. Cochrane considers them at the risk of Government.	103
April 23, Quebec.	John Cochrane to Captain Mathews.	Respecting the magnitude of the outstanding debts and the cause of the failure of debtors to meet them.	35
April 24, Quebec.	Captain Mathews to John Cochrane.	The General desires to know whether he (Cochrane) continues to accept the responsibility of the outstanding debts. His remarks on the credits given, especially to Shaw and Fraser.	105
April 26, Quebec.	The same to the same.	Reiterates the request for the accounts.	107
April 28, Quebec.	John Cochrane to Captain Mathews.	Appointment of Mr. Gordon to take charge of Harley and Drummond's affairs. The state of the accounts. The liability of Government on account of sudden peace.	38
April 28, Quebec.	Captain Mathews to John Cochrane.	Further demands for accounts.	107
April 28, Quebec.	General Haldimand, to Jenkyn Williams.	Instructions to sue for the recovery of outstanding debts.	116
April 29, Quebec.	John Cochrane to General Haldimand.	Is anxious to do all in his power to assist in recovering the debts due on bills of exchange. Points out the ruin to individuals and the loss to the Crown that would be caused by prosecuting the debtors.	40
April 29, Quebec.	General Haldimand to John Cochrane.	Desires an answer as to whether he would give his name for suits to recover the debts due on bills.	114
April 29, Quebec.	Attorney General Monk to General Haldimand.	Relative to suits. Will Cochrane lend his name?	117
April 29, Quebec.	General Haldimand to James Monk.	That he is to give his opinion on papers transmitted to Solicitor General.	117
April 30, Quebec.	John Cochrane to General Haldimand.	Cannot allow his name to be used in the prosecution of debtors. Believes the debts can be otherwise collected.	45
April 30, Quebec.	Captain Mathews to John Cochrane.	The General cannot admit that transactions of 1782, can be mixed up with those of 1781. Desires positive answer as to his lending his name to suits.	114
May 2, Quebec.	Jenkyn Williams to the same.	Applying for copies of the obligations and securities of Shaw and Fraser for bills of exchange.	118
May 5, Quebec.	John Cochrane to Captain Mathews.	Asks for further requisition.	33
May 6, Quebec.	Captain Mathews to John Cochrane.	After his refusal to give his name in the suits for the recovery of debts, all communications must be in writing.	106

	1783.		
May 6,	Quebec.	Jenkyn Williams to John Cochrane. For copies of obligations and securities for bills of exchange.	Page 119
May 6,	Quebec.	Captain Mathews to Attorney General Monk. Desires opinion of counsel.	121
May 6,	Quebec.	Attorney General Monk to General Haldimand. Desiring certain information before giving opinion as to suits against Cochrane and others.	121
May 7,	Quebec.	John Cochrane to Jenkyn Williams. The nature of the securities for bills of exchange.	120
May 7,	Quebec.	Attorney General Monk to General Haldimand. Opinion of counsel respecting suits against Cochrane and others.	124
May 7,	Quebec.	Captain Mathews to Attorney General Monk. Transmitting papers respecting the proposed suits against Cochrane, &c.	128
May 11,	Quebec.	General Haldimand to Jenkyn Williams. Instructions to begin suit against Hon. John Cochrane.	129
May 16,	Quebec.	John Cochrane to General Haldimand. Asking that the suit against him be withdrawn, as he has already taken steps to secure payment of the debt due by Shaw and Fraser.	25
May 17,	Quebec.	General Haldimand to John Cochrane. Reason for instituting the suit against him (Cochrane).	111
May 18,	Quebec.	John Cochrane to General Haldimand. The ruinous effect of a prosecution. Will be unable to meet demands made by the paymasters in consequence.	27
June 6,	Quebec.	David Gordon to General Haldimand. Desires that the debts due to Mr. Cochrane be sued for complete and not separately.	48
June 8,	Quebec.	The same to the same. Urges that the debts of 1781 and 1782 be sued for as Crown debts and not as due to Mr. Cochrane. The loss to the public if this be not done.	49
June 9,	Quebec.	General Haldimand to David Gordon. Intends to keep transactions of 1781 and 1782 separate, and to obey instructions of the Treasury with respect to Mr. Cochrane.	52
June 10,	Quebec.	David Gordon to General Haldimand. Has had debts due Mr. Cochrane assigned to him and in course of payment. Will any sum be wanted for the public service?	53
June 13,	Quebec.	John Cochrane to General Haldimand. Has transferred the business of Harley and Drummond to David Gordon. Will be able to act as Haldimand's agent in recovering outstanding debts.	30
June 14,	Quebec.	Captain Mathews to John Cochrane. That the general is doing all he can to secure the out-standing debts of 1781. Has communicated to the Treasury his opinion of Cochrane's conduct.	112
June 15,	Quebec.	David Gordon to General Haldimand. That Messrs. Harley and Drummond's engagements with Government expire to-morrow.	53
June 15,	Quebec.	General Haldimand to David Gordon. In view of the expiry of Harley and Drummond's engagement makes a requisition for £50,000.	51
July 26,	Quebec.	David Gordon to General Haldimand. Is unable to comply with the requisition of 15th June, owing to General Haldimand's having attached the money due from debtors.	54
July 26,	Quebec.	General Haldimand to David Gordon. Requisition of 15th June made in consequence of Harley and Drummond's engagement expiring. Has no objection to his (Gordon) acting as guardian on Fraser's estate, but not as assignee of Cochrane.	57
July 26,	Quebec.	Captain Mathews to Jenkyn Williams. The General desires his opinion as to the refusal of Mr. Gordon to comply with requisition.	130
July 26,	Quebec.	Jenkyn Williams to General Haldimand. Remarks on Mr. Gordon's letter of this date, respecting his inability to meet requisition. The steps taken to secure the rights of the Crown, with judgments of the court.	135 to 145

1783.	David Gordon to General Haldimand. Pointing out the ruinous effect of proceeding to extremities in the judgment obtained against Shaw and Fraser.	Page 58
August 28, Quebec.	General Haldimand to David Gordon. Has desired the Solicitor General to regard the interests of Harley and Drummond; has no wish to injure individuals, but must protect the interests of the Crown.	64
August 28, Quebec.	The same to the same. Desires to know if all, or any part of, the requisition of the 15th June will be paid into the military chest.	66
September 11, Quebec.	David Gordon to General Haldimand. Points out the reason for not meeting the requisition of 15th June. The ruinous consequences of the law-suits against Shaw and Fraser and the steps taken to arrest the money due to Harley and Drummond.	67
September 17, Quebec.	Captain Mathews to Jenkyn Williams. Desires to have his opinion on a letter from Mr. Gordon.	130
October 3, Quebec.	John Cochrane to General Haldimand. Respecting the debt of Mr. Perras, lost through General Haldimand's action.	33
October 4, Quebec.	Jenkyn Williams to Captain Mathews. Remarks on Mr. Cochrane's letter respecting the failure of Perras.	131
October 5, Quebec.	Captain Mathews to John Cochrane. The General had received notice of the failure of Perras, two days after the meeting of creditors. The expediency of collecting the debts.	113
October 20, Quebec.	John Cochrane to General Haldimand. Transmitting letter from Mr. Perras, that steps may be taken to secure his debt.	47
1784.		
May 5, Quebec.	David Gordon to General Haldimand. Asks for a pass to the United States.	77
May 5, Quebec.	Same to Postmaster General Finlay. Asking pass for a messenger to New York.	85
May 5, Quebec.	Hugh Finlay to David Gordon. That he has himself been refused a pass.	85
May 6, Quebec.	Captain Mathews to the same. The General must refuse a pass to the United States, on account of the bad treatment to officers going there.	78
May 6, Quebec.	David Gordon to General Haldimand. Protests against the refusal of a pass to carry dispatches to New York. Demands it as a right.	79
May 7, Quebec.	Captain Mathews to David Gordon. Will forward his letter of the 6th to Harley and Drummond. The General's opinion of its tone. Cannot grant a pass till the arrival of a U.S. officer.	81
May 10, Quebec.	David Gordon to Captain Mathews. Has already sent dispatches by an American officer. Note by Captain Mathews expresses surprise that Gordon's dispatches were not ready.	83
May 10, Quebec.	Captain Mathews to David Gordon. His dispatches will be sent by a U.S. officer.	83

CORRESPONDENCE AND PAPERS RELATING TO THE HON. JOHN COCHRANE
AND MONEY AFFAIRS.

1779—1784.—VOLS. 1 and 2,

B. 210-11.

B. M., 21,870-71

These two volumes contain the correspondence relating to the administration of Hon. John Cochrane, as agent for Messrs. Harley and Drummond, contractors for remitting the public money. The correspondence has been brought together in dealing with the question of administration, but has been categorized in other volumes.

PROCEEDINGS IN THE SUIT OF GENERAL HALDIMAND vs. HON. JOHN COCHRANE.

1779-1784.

B. 212-1—B. 212-2.

B.M., 21,872.

The pleadings, with evidence respecting the transactions of Hon. John Cochrane as agent for Harley and Drummond.

MEMORIALS FROM OFFICERS AND SOLDIERS OF THE ARMY.

1778-1784.

B. 213.

B.M., 21,873

1778.
April 9,
Cambridge. Governor Skene to his son. That Burgoyne had gone to Rhode Island, but had left a certificate of the distinguished services of his (Skene's) son, the original of which was kept for fear of accidents on the passage. Page 1
- Lord Barrington to Gage, dated London, 11th May, 1774. That in consequence of his desire that Lieutenant Skene should succeed his father, His Lordship, although it is not usual to appoint so young a man, will take care that Lieutenant Skene shall be paid as Brigade Major, but the appointment must be signed by him (Gage) not made by sign manual. (This letter was apparently sent with Burgoyne's certificate on the 5th of July, 1778.) 2
- April 15. State of the claims of the officers of the 1st Battalion of Royal Highland Emigrants in respect to rank. (The names, date of muster, rank in former regiments, &c., are given in the return.) (Follows p. 1.)
- May 21,
Niagara. Lieutenant Colonel Bolton. Memorial for promotion for Messrs. Mompesson, Bird, Pepyat and Fry. 4
- July 11. Ensign James Davis, 81st Regiment. To be appointed assistant engineer. 7
- July 14,
Quebec. Charles Blake, surgeon, 34th Regiment. To be appointed surgeon to the garrison at Montreal. 8
- July —,
Quebec. Donald McKinnon, lieutenant of the Royal Highland Emigrants. Stating his services and losses, and asking for a situation. 9
- August 12,
Montreal. Simon Evans, late lieutenant 25th Regiment. Stating his sufferings and asking for employment. 12
- August 14,
Montreal. Thomas Sutton, Ensign in the 47th Regiment. Praying for the bounty of one year's pay granted to officers wounded in action, he having lost a leg whilst serving with Burgoyne. 14
- September 27. Captain John Adolphus Harris. Asking to succeed to a vacant majority by purchase. 16
- October 26,
Quebec. Daniel Morison, surgeon. Asking to be employed in the service as doctor's mate. 17
- October — Brigadier Allan Maclean. Praying that he may receive his pay as Brigadier General during his absence. 18
- December 6,
Quebec. Lieutenant F. Dambourges, Royal Highland Emigrants. Praying to be reimbursed £67, Halifax currency, advanced for the good of the service. 23
- December 25,
Niagara. Captain William Potts to Lt.-Colonel Bolton. Stating that he is desirous to resign the quartermastership of the 8th Regiment (which he purchased from Captain de Peyster) in favour of the Quartermaster Sergeant, and asking that the proposal be recommended. (In a letter dated 8th February, 1779 (B. 100, p. 95) Bolton recommends the Quartermaster Sergeant.) 25
- Lieutenant John Maclean, Royal Highland Emigrants. Praying for a captaincy. 21

1778. Thomas Faucon, town major of Quebec. Praying for the command of the invalids. Page 29
1779. Gerard Irvine, lieutenant 47th Regiment. Praying for promotion. 31
- February 15, Carleton Island. R. Browne. Praying to be sent to the Indian village of the Lake of Two Mountains, and representing that he has been unhandsomely treated by Colonel Campbell. 33
- June 16, Isle aux Noix. William Osburne Hamilton, lieutenant, 24th Regiment. Praying for a company in the 84 h Regiment. 36
- August 30, Quebec. Lieutenant Thomas Hill, 29th Regiment. Praying for promotion. 37
- September 5, Quebec. Malcolm Fraser, captain, Royal Highland Emigrants. Praying for leave to purchase the majority. 39
- September 8. Ensigns James Smyth and Robert Johnston. Praying that their pay as ensigns in the 31st Regiment, ordered by Sir Guy Carleton and now disallowed, may be issued as formerly. 41
- October 12, Fort St. John's. A copy of Sir Guy's order, dated 27th October, 1776, follows. 41
- December 11. Alexander Kennedy, soldier in the 21st Regiment, but serving with Sir John Johnson's corps since his escape from the rebels, praying that he may be transferred to some established regiment, till he can join his own. 45
- December 14, Quebec. John Macdonell, captain in Butler's Rangers and lieutenant in the 84th Regiment. Stating his services and praying for promotion. 47
- No date. John Adolphus Harris, captain, 34th Regiment. Praying for a majority by purchase. 51
- Neil McLean, assistant commissary general. Praying for the allowances of house rent, fuel, &c., granted to other officers in the same position as himself. 52
1780. Another memorial for his pay and allowances. 55
- January 24, Sault aux Saucollets. Neil McLean, captain, 84th Regiment. Stating his services, hardships and escape, and asking for forage money. The letter at p. 57, memorial at 58
- June 29, Quebec. Hugh Mackay, assistant commissary. Stating the expenses he had incurred in removing to Carleton Island; and praying that he may be reimbursed the expense of building a house, now used for a commissariat store, and that his wife may be allowed to continue her shop. 61
- June 29, Quebec. Lieutenant Keugh, 44th Regiment. Stating his services and praying that they may be considered. 67
- July 3, Charlesbourg. James Worsley, volunteer, 44th Regiment. Praying for an ensigncy. 69
- July 23, Quebec. John de Courcy Gill, hospital mate. Praying to be appointed surgeon to Sir John Johnson's second Battalion. 71
- July 29, Quebec. William Johnston, captain lieutenant, 31st Regiment. Praying for promotion. 72
- August 6. Robert Grant, soldier in the 84th, or Royal Highland Emigrants. Stating his services since 1737, and asking at his advanced age for relief. 61
- August 24, Sorel. Benjamin Rogers, ensign, 53rd Regiment. Praying for promotion. 73
- August 26. Dr. Robert Knox, hospital inspector. Praying for the 200 days batt and forage for the campaign of 1778. 74
- August — James Macdougall, volunteer, 84th Regiment. Praying to be appointed to an ensigncy. 75
- September 4, Quebec. Andrew Philip Skene, lieutenant, 43rd Regiment, and brigade major. Praying for leave of absence. 76
- September 27. William Norton, captain, 44th Regiment. Praying for leave of absence. 78

1780.			
October 9, Fort St. John's.	Henry Watson Powell, brigadier general and lieutenant-colonel, 53rd Regiment. Praying that the vacant majority in the regiment may not be filled out of the regiment, but may be given to Captain Hutcheson Dunlop.	Page 80	
October 14, St. John's.	Robert Battersby, ensign of the 29th Regiment. Praying for promotion.		81
October 17, Quebec.	Ensign Prontice, 84th Regiment. Praying for leave of absence and enclosing certificate (p. 82) from Dr. Kennedy, of the precarious state of his health.		83
October 17, Quebec.	Gerard Irvine, lieutenant, 47th Regiment. For leave of absence.		85
November 2, Sorel.	James Walker, surgeon's mate, 1—84th Regiment. Praying that he may be appointed surgeon to the first battalion of the 84th.		86
November 12, Detroit.	Major de Peyster, to Haldimand. Asking, in event of the report of Bolton's death proving true, that the succession may go in the regiment.		87
	Document in support of the application.		91
November 27, Quebec.	Brigadier de Loos (in French). Requesting that blankets may be issued to the two Hessian regiments under his command, to be used for making coats.		88
No date.	Alexander Dundas, major, 34th Regiment (in French). Praying to be appointed Lt.-Colonel of the 8th Regiment in succession to Lt.-Colonel Bolton.		93
1781.			
January 1.	James Gill, surgeon. States his services and asks for an appointment for his son in the army.		97
January 25, Quebec.	James Smyth, ensign, 31st Regiment. Praying for promotion.		100
January 29, Quebec.	Alexander Fletcher, captain, 84th Regiment. Giving particulars of the charges by Dr. Gill, against a party of recruits for the 84th Regiment.		101
January 29.	Robert Daport, lieutenant, 27th Regiment. Stating his services and praying for promotion (covering letter of same date p. 106.)		107
	An undated memorial to the same purport.		248
February 5, Montreal.	William Harffy, hospital mate. Praying to be appointed as surgeon of the 53rd Regiment, in succession to the late surgeon (Jarry)		110
March 9, Quebec.	George Graham, surgeon's mate, 44th Regiment. Praying for promotion.		111
March 14, Detroit.	Thomas Gamble, captain, 47th Regiment. Enclosing letters from the War Office respecting his promotion to the brevet rank of major in America.		113 to 121
September 5, Quebec.	John Finlay, ensign, 44th Regiment. States his services and losses and prays for promotion. (See also p. 222).		122
September 14, Quebec.	Samuel Tuffio, volunteer, 44th Regiment. Praying for an ensigncy in the regiment.		124
September 15, Quebec.	Bright Nodder, lieutenant, 34th Regiment. Praying for promotion.		125
September 20, Yamaska.	Hutcheson Dunlop, captain, 53rd Regiment. Recommending that leave of absence be granted to Lieutenant Phanael Latham.		126
September 24, Montreal.	James Hughes, town major. Praying for a company in Sir John Johnson's Regiment.		127
September 26, Detroit.	Mrs. McDougall (in French). Praying for indemnification for an island granted to her late husband (Captain McDougall) possession of which was taken by Government for the public service. (Hog Island or Ile au Cochon near Detroit.)		128
October 1, Yamaska.	Hutcheson Dunlop, captain 53rd Regiment. For leave of absence.		130
October 6, Quebec.	Henry Davernet, lieutenant, Royal Artillery. Praying that bills drawn for certain amounts may be honoured, as he had followed the practice of his predecessors in his method of accounting.		131

1781.			
October 8,	Duncan Murray, quarter master, 84th Regiment. Praying for promo-		Page 134
Sorel.	tion.		136
October 15,	George Lawe, captain, 84th Regiment. Prays for a commission for his		136
Montreal.	son, a volunteer in the 84th.		
November 13.	Note of amount due to Captain Thomas Gummersall for subsistence as		96
	quarter master to the second battalion of the Royal Regiment of New		
	York, from 14th October, 1780, to November, 1781.		
November 22,	Thomas Gamble, major. Praying that his majority may be extended to		138
Quebec.	the army, instead of being for America only.		
No date.	Robert Arbuthnot, lieutenant, 31st Regiment. Asks leave to purchase		139
	the company of Captain Edge, 53rd Regiment.		
	Bryce McCumming, quarter master, 31st Regiment, praying for the		140
	vacant ensigncy in the regiment.		
	James Hunter. Praying for an ensigncy in any of the Regiments now		141
	vacant.		
	Lieutenant Colonel Campbell, Indian Department. Respecting his rank		142
	in the Indian Department and prays that he may avail himself of it.		
1782.	Frederic Wasmus, surgeon's mate to the Brunswick Dragoons. Prays		146
April 21,	for payment of medicines, &c., furnished to British troops at Rutland.		
Sorel.	Thomas Brown, lieutenant, 44th Regiment. Prays for promotion.		148
May 11,			
Beloeil.			
July 1,	John McLean, lieutenant, 84th Regiment, praying for a commission		153
Quebec.	in Butler's Rangers.		
August 1,	Benjamin Bouyer, ensign 4th (in French). Praying for rations in		156
Quebec.	accordance with his rank.		
September 12,	Francois Lemaistre, captain. For leave of absence.		157
Quebec.			
October 18,	Captain Simpson, 31st Regiment. Praying for the appointment of		159
Quebec.	quartermaster general in room of Captain Duport.		
November 3.	Fane Edge, late captain in the 53rd Regiment. States his circumstances;		160
	asks for a passage by one of the King's ships, or His Excellency's pro-		
	tection should he be obliged to remain in the country.		
November —.	Richard Houghton, lieutenant, 53rd Regiment. Praying for pro-		164
	motion.		
1783.	Sir John Johnson to Haldimand. Introducing Mr. Auetin, surgeon to		167
May 8,	the 1st Battalion.		
Montreal.			
May 12,	John Jones, acting barrack master. Prays to be appointed barrack		150
Sorel.	master of Sorel.		
May 14.	Charles Austin, surgeon, King's Royal Regiment of New York. Praying		168
	for an allowance for attending unincorporated loyalists.		
May 14,	Thomas Gummersall, captain 2nd Batt. K R.R. N.Y. For allowance of		169
Oswego.	quartermaster.		
June 5,	John Pringle, ensign, 84th Regiment. Praying for promotion.		170
Carlton			
Island.			
July 19,	Thomas Faunce, town major, praying for a commission for his eldest		171
Quebec.	son.		
August 11,	Christopher Myers, lieutenant, Royal Artillery. Representing his bad		172
Quebec.	state of health, and asking leave of absence that he may go on half		
	pay.		
September 8,	Thomas Gummersall to Sir John Johnson. Stating his services and the		174
Oswego.	nature of his claim for subsistence, and asking him (Sir John) to use his		
	interest to have the amount paid.		
September 28,	Henry Hope, Lieut.-Colonel, 44th Regiment, praying that Lieutenant		181
Quebec.	Nicholas, who has had permission to purchase Captain Norton's Com-		
	pany, may have leave to sell the adjutancy to Lieutenant Starke.		

Page 189	
1783. October 16, Carleton Island.	Captains William Dunbar, Malcolm Fraser, Daniel Robertson and David Alexander Grant, 84th Regiment, for the brevet rank of major. 189
October 16, Niagara.	Andrew Parke, Captain, 8th (or King's) Regiment. Praying for leave to purchase the majority of the 53rd Regiment. 191
October 20, Montreal.	George Eberhard, ensign in the late 3-60th. For employment in any department. 193
November 29, Montreal.	Isaac W. Clarke, assistant commissary. Stating his services since 1773, when he was obliged to leave Boston to seek protection at Castle William. Prays to be appointed a commissary after the reduction, he having served in the commissariat since 1776. 196
December 6, Sorel.	James Farquharson, assistant commissary. Praying to be continued in the service till it is known if he is to have half pay. 198
December 14.	William Mure, captain, T. S. Lock, lieutenant, G. B. Heaphy, ensign, 53rd Regiment; R. Brown captain, and Robert Johnston, lieutenant, 31st Regiment, reduced officers, praying that as they cannot now sail, navigation being closed, they may receive full pay until they can leave the country. 201
December 15, Montreal.	Jacob Contryman and Sefrenis Caselman, privates in the first battalion Royal Regiment of New York, praying for a reward for scouting. 203
December 19, Quebec.	Samuel Walter Prenties, lieutenant, 84th Regiment. Giving a statement of the circumstances out of which has arisen the complaint against him made by Major Harris. 205
December 27.	Thomas Scott, captain, 53rd Regiment. For permission to purchase the majority. 211
No date.	Fane Edge, late captain, 53rd Regiment. That being unable to sail this season, asks for temporary employment till spring. 218
	Bryce McCumming, quarter-master, 31st Regiment. That owing to the neglect of the paymaster of the regiment, a younger ensign had been allowed to purchase the lieutenantcy over him. 216
	Charles Atkinson, lieutenant, 44th Regiment. That owing to the entire loss of property and money by the fire at his lodgings, he will be obliged to sell out, if His Excellency does not come to his relief in consideration of the peculiar circumstances. 214
	William Savage, ensign, 34th Regiment. For the lieutenantcy, vacant by the death of Lieutenant Clarges. The prayer of the memorial is supported by Lt. Col. Barry St. Leger. 213
	Samuel Ford, lieutenant, 47th Regiment. For leave to join his regiment, as he has been detained from it without knowing the reason. 194
	William Wood, captain, 34th Regiment. Asks leave to sell his company, on account of financial embarrassment, and prays for a lieutenantcy in the 84th Regiment. 182
	Memorial to the same effect, dated 17th November, 1793. 195
	William Howard, Royal Artillery. Explains the improvement he made in fuses for shells and his reason for leaving to go to England, as he never intended to desert. 184
1784. January 10, Quebec.	Charles Blake, garrison surgeon. Stating his services and present situation and praying that it be taken into consideration. 256
January 21, Montreal.	Duncan McDougall, lieutenant 84th Regiment. His services in raising the corps of Royal Highland Emigrants in South Carolina &c., &c., and prays for an ensigncy for his son. 258
April 13, Quebec.	Miles Prenties, late Provost Marshal. For pay to this date and for the payment of bedding to du Calvet and of board to Major Ray (Rey) a French officer. 261
	Another memorial of 20th April for half pay, enclosing warrant for his appointment (p. 268) by General Monckton, dated 25th September,

1784. 1759 and at p. 270, Sir Guy Carleton's warrant of appointment dated 20th January, 1775. (See also, p. 322). Page 265
- June 17, Montreal. John Baird, captain, 53rd Regiment, for leave of absence. 271
- June 28, Quebec. www.libtool.com.cn
G. Clowis, to Major Mathews. That in compliance with His Excellency's wish, he has not insisted on a court martial, Captain Mompesson having withdrawn the charges against him. 272
- July 5, Montreal. Captain Baird, 53rd Regiment, recommending that leave of absence be granted to Lieutenant William McFarlane. 274
- July 8, Quebec. Timothy Fielding, late soldier in the 84th Regiment for the grant of a bateau. 275
- August 24, Montreal. John Fraser, Judge of Common Pleas, Montreal. For payment of arrears while a prisoner with the rebels, and of his half pay as captain in the 78th Regiment. 282
- August 28, Quebec. David Betton. For an allowance in consideration of his age and long service. (See also p. 321). 277
- September 8, Quebec. Captain Alexander Grant. Prays for a permanent provision and that a grant of land made to him by the Indians at Detroit may be confirmed. 320
- September 24, Quebec. John Drummond and Jacob Jordan, agents to the Paymaster General. For a warrant authorising the payment of contingent expenses. 280
- September 30, Montreal. The detailed account and summaries follow. 283 to 285
- September 30, Montreal. Gabriel Christie, Major General. For payment of his claims for timber, &c., against Government, according to schedule. (See p. 320). 286
- September —, Quebec. Schedule follows. 289
- September —, Quebec. F. J. Cagnet. That, in consideration of his long services, his son may enjoy the reversion of his office. 321
- October 8. Madame de St. Louis. Praying for a pension. 321
- October 16, Quebec. James Rogers, major, second Battalion, King's Rangers. Stating his services and losses, and praying for relief. 290
- October 22, Quebec. Thomas Ainslie, collector of customs, for the appointment of an Advocate-General that he may supply the necessary legal assistance. 321
- November 6. Rocheblave, to be recommended to the ministry. 320
- No date. Ensign Smith 31st Regiment. Praying for promotion. 321
- Hutcheson Dunlop, captain 53rd Regiment. Recommending that Ensign Hamilton be promoted. 224
- Daniel Wright, sergeant major, 53rd Regiment. Praying that he may succeed to the vacancy caused by the death of Ensign Magrath. 226
- Captain Minchin, 29th Regiment. For leave of absence. 226
- William Montgomery, Sergeant 53rd Regiment. Stating that he had entrusted fifty guineas to Lieutenant England who was returning to Canada when he (Montgomery) was taken prisoner in 1776. That on returning in 1779, he found that the money had not been accounted for. He, therefore, prays His Excellency to interpose. 228
- Thomas Taylor, soldier 47th Regiment. Representing that many soldiers now in Massachusetts would return if assured of pardon, and offers his services. 230
- Richard Houghton, lieutenant, 53rd Regiment. Praying for promotion. 233
- John Adolphus Harris, captain, 34th Regiment. Praying to succeed to the majority in the 84th Regiment. 234
- John Jones, barrack master, Fort George. Praying for his pay as barrack master under the warrant of Birgoyne. 235
- Charles Williamson, surgeon's mate 31st Regiment. Praying to be promoted to the surgeoncy in Sir John Johnson's 2nd Battalion. 237
- Lauchlan Maclean, lieutenant 84th Regiment, for leave to purchase Captain Alexander Fraser's company. 239
- Henry Pilot, captain, 31st Regiment. For butt and forage money. 341

1884.
No date.

Hutcheson Dunlop, captain, 53rd Regiment. Recommending that Davies have leave of absence. Page 242

Bryce McCumming, quarter-master, 31st Regiment. For a commission to his son, who is the eldest volunteer in the regiment. 243

Henry Stiles, surgeon's mate. For the ensigncy in the 34th, vacant by the promotion of Ensign Arden. 246

Robert Hoyes, captain, 34th Regiment stating his services with a view to promotion. 247

Thomas Hollier, lieutenant 29th Regiment. For leave to purchase the vacant company in the 84th Regiment. 251

Peter Clinch, lieutenant and adjutant Royal Americans. For a commission in the Royal Yorkers. 253

Gottlieb de Gleisenberg. Praying to be continued in his present allowance till Christmas, and to be procured a passage next fall. 293

Thomas Garnett, senior captain in a battalion raised by Mr. James Howleson, by order of Governor Tryon, to serve under Sir John Johnson. Encloses journal of his proceedings since February, 1777, and prays for an allowance for his heavy losses and for the heavy expenses he incurred in supplying enlisted soldiers and loyalists who fled to him for safety. 298

Pierre Roubaud (in French), addressed "Messieurs et amis." They are no doubt acquainted with events of which more than half may be anticipated. Since Gamelin left, Lantingette has arrived. The committee of correspondence with Canada had an audience with Lord Sydney, but the session was too far advanced to bring forward anything respecting the Province. It is not likely that the ministry would accept any bill on the subject passed by Parliament, as it would restrain its powers, and the Quebec Bill had extended the power of the Crown, investing the King with all the powers of the King of France as respects property. It is eighteen years since the Chancellor refused to sign the Patent concerning the Jesuit Estates to Lord Amherst, because they were the fruit of the conquest of Canada, bought at the cost of the blood and money of the people, and, therefore the appanage of the people and not of the sovereign. The Quebec bill set aside this logic by the introduction of the laws of France, according to which it is the Kings and not the people who conquer. The extension of the power of the Crown is the system of the present ministry; it will not destroy this system and the majority in Parliament has never been so submissive. Besides they (to whom the letter is addressed) are divided, which alone would make every thing fail. Let them return to Canada; withdraw the petitions; unite respecting the needed reforms and entrust their demands not to a large committee, to a Mr. Mazeres or Mr. Powis who are in opposition, but to a wise and fully instructed agent. It would be necessary besides to leave all to Parliament. Lord Sydney and Mr. Nepean are favourable and confidence would gain their support. A du Calvet would advise other steps, but he is a madman, blinded by his own passions who would rejoice in companions in his misfortunes. He has openly attacked the ministry. General Haldimand has powerful friends; the King is his friend and the ministry as much so. Du Calvet's affair will probably never be settled. The inquiry in the Province will be conducted under Haldimand's eyes, who is to return to his Government. The whole party opposed to him will crumble into dust. As to du Calvet who will supply money? He is now getting into low water. (Details of his difficulties follow.) His blind, headstrong temper has led him to play the Devil with the committee because it would not go as fast as he wanted; he has publicly insulted Adhemar; and there

1884.

only remains himself (Roubaud) who from his facility of character is always attracted to the unfortunate. Yet the ingratitude of du Calvet may force him also to leave; besides he owes gratitude to Government. Thirteen guineas paid to him by du Calvet appeared to the latter an exorbitant price for more than a year's work, suggestions and services. But for his own goodness of heart he would also have become his (du Calvet's) enemy. Adhemar will sail in the course of next month. Praise of Adhemar follows. Urges them to calm the fears of their friends at the return of Haldimand; whose conduct would satisfy them, and Government is well disposed; the desire for priests and the free admission of French Canadians to public employments will be gratified. Speaks hopefully of his own affairs, and offers to become agent for the Canadians. The rest of the letter discusses the political state of Europe. Page 304

No date.

Richard Houghton, lieutenant, 53rd Regiment. For his pay in the Indian Department and allowance for his expenses. 318

Hill Mitchell, grenadier 28th Regiment. Praying for payment of arrears whilst he was prisoner with the French at Detroit. 323

MEMORIALS FROM THE PROVINCIAL CORPS AND LOYALISTS.

1777-1785.—VOL. I.

B. 214.

B.M., 21,874

1777.
August 23 and 26. General Orders appointing Isaac Man Adjutant to Jessup's corps and Brigade Major to the American Volunteers. Page 3
- September 7, Detroit. George Anthon, surgeon, to Lt. Governor Hamilton. For an increase in the allowance for medical attendance, stating his past services. 4
- Septembre 8. Pay return of volunteers commanded by Samuel McKay from 1st August to date. 1
The same under Daniel McAlpin for same date. 2
- September 8. Brigadier Samuel Fraser. General order regulating the organisation of the Provincial troops. 6
- September 15. Appointment of John Macomb to be paymaster of the Provincial troops. 7
- September 25, Freeman's Fields. Account of articles issued as a gratuity to the Volunteers under Samuel McKay. 8
The same to those under Daniel McAlpin, same date. 9
- October 8. Account current of John Macomb, paymaster of the Provincial troops. (Vouchers at pp. 11-12.) 10
- October 24, Mount Independence. Brigadier Watson Powell to Isaac Man. To take as many prisoners as are necessary for the boats going to Diamond Island for provisions, and to make no delay as all the prisoners are to be sent to Canada as soon as possible. 13
- December 6, Montreal. Brigade Major Morris. Wishes to see Brigade Major Man to communicate orders. 14
1778.
July 5, Quebec. Broed Bachelor. Praying to receive his pay as captain stating his services (see also p. 17). 15
- July 5. Robert L. Fowle, stating his losses and services' and praying that his case may be considered. 19
- July 8. James Froom, a loyalist. For relief for himself and family. 21
- July 10, Quebec. Francis Hogal. Complaining that captain McKay is detaining his recruits. 23
- July 14. Joseph Pringle, a loyalist. States his sufferings and prays for relief. 24
- July 17, Quebec. Eben Jessup to Burgoyne. Giving an account of the formation of the King's Loyal Americans, their services, &c., and pointing out that his

1778.

part of the expense has not yet been paid; that part of the men raised are incorporated at New York. Asks that an account of their services may be given to Generals Carleton and Haldimand. The letter gives details of the services of the loyalists with Burgoyne. Page 26

- July 15, Quebec. Statement of John Peters of the abusive expressions of Samuel McKay regarding General Carleton. 31
- July — Captains Alexander McDonell, John Munro, and Samuel Anderson of the Royal Regiment of New York, for themselves and others. Praying that some plan may be adopted to relieve the distress of their families and remove them out of the hands of their enemies. 33
- August 2. A letter from Mrs. Munro, giving an account of the attacks on her family as that of a loyalist, follows. 35
- August 2. Joseph Pringle. Stating his case since settling on the New Hampshire grants in 1770, with an account of the losses he has sustained, and praying for relief. 36
- August 2, Quebec. Certificate of the services of Peter Gilchrist, farmer, a loyalist, given by Edward Jessup and Hugh Munro. 39
- August 4. Robert Leake to Brehm. Stating his services as a loyalist and asking his assistance to obtain a commission. 41
- August 8. Petition of John Graves to have his allowance continued as hospital mate, with report from W. Barr, hospital purveyor, that Graves was never so employed, and has no title to the pay asked for. 43
- August 18, Montreal. Joseph Smyth. Praying for a court of inquiry to investigate the charges against him. 45
- August 21, Quebec. Valentine Detler, a loyalist, from Albany. Stating his services and losses, and praying for relief. 47
- August 21, Quebec. John Rogers, a loyalist, from Albany. Stating his services and losses and praying for relief. 49
- August 23. Certificate by Major James Gray of the loyalty and sufferings of John Rogers. 51
- August 23. List (apparently furnished by John Rauther (Raiter?) of people's names well affected to Government at Hosack, Pittstown, and Half-moon. 52
- August 26, Isle aux Noix. Roll of Captain W. Fraser's company of Rangers. 55
- In a letter of same date, Fraser states that he had picked out 4 sergeants and 50 rank and file fit for the duty of rangers. They only want clothing and light arms to fit them for immediate service. In the list only 3 sergeants and 40 rank and file are named. 56
- September 7, Three Rivers. John Grout. For leave to set up a school at Three Rivers. 57
- September 10, Sorel. E. Manuell. Applying for licence to sell liquor. 59
- A certificate of his loyalty and his escape from the rebels precedes the letter of application. 58
- September 14, Sorel. Adam Borthwick. Stating his services as a loyalist and asking for employment. 61
- October 6, Sorel. Samuel Adams, late of the Province of New York. Praying for relief. 63
- Similar applications from William Fairfield (p. 65); Alexander Campbell (p. 66); and Donald Fisher (p. 68); all dated at Sorel.
- October 16, Sorel. Justus Sherwood. Praying for rank, as he could soon fill up a company of rangers with good woodmen from the Colonies. 69
- October 17, Montreal. Petition of sundry loyal inhabitants of the frontiers of New York and Pennsylvania, praying for permission to go back to relieve their families; they having been carried off prisoners by the Indians. 71
- October 24, Quebec. Robert Rogers, lieutenant-colonel. Praying for a warrant to raise two or more battalions from the frontiers of the Colonies. (The request was refused. 74

1778.			
November 9, Quebec.	James Campbell, volunteer in Captain McAlpin's corps. For an appointment in the secret service.		Page 76
Novembre 10, Sorel.	Memorial from loyalists for a second battalion of Sir John Johnson's corps to be raised so that the loyalists may be made useful.		78
	The memorial was handed to Sir John Johnson, enclosed in a letter dated the 12th November, signed by Robert Leake, Edward Jessup and John Peters.		81
November 18, Quebec.	Daniel McAlpin, captain 60th Regiment. Stating his success in raising men. Peter Drummond appointed a captain, taken prisoner and long kept in irons. Prays that the officers appointed may be retained in their rank.		84
November 19, New-York.	Adam Ferguson to Andrew Elliott. Recommending the case of Mr. White, a loyalist, for consideration.		86
	A recommendation by Mr. Elliott follows.		87
December 16, Montreal.	George Christie, a loyalist. Praying for relief.		88
December —	Mary de Forest, whose husband has been imprisoned for his loyalty, praying for relief for herself and family.		90
December —	James McIntosh. Stating his losses and praying for relief.		92
1779.			
January 14, Sorel.	Isaac Man. Applying for further relief.		94
January 18.	Alexander Cruikshank. Stating his sufferings and applying for employment in the commissariat at Niagara. (The services of the memorialist are certified to by Sir John Johnson, Major Gray, Captains Leake and Munro).		96
January 25, Sorel.	Robert Armand. He is not fitted for the situation given him under Twiss and prays to be appointed Provost Marshal.		101
February 9, Montreal.	Joseph Pringle. Certifying to the loyalty of Benjamin Payne and John Griswold, now prisoners in Quebec.		103
March 15, St. John's.	Joseph Sullye. Stating his sufferings and praying for relief.		142
March 22, Sorel.	Robert Armand. Praying for rations, having had no allowance since the 1st of February (see p. 101).		104
March 29, St. John's.	Solomon Johns. Stating his services, for which he has received no allowance. All the money he brought with him 14 months ago being expended, asks for rations and still to be employed.		106
March 29, Quebec.	John Stagg, formerly in Rogers' Rangers. Praying for relief.		109
April 16, Montreal.	Abraham Burns, a discharged soldier of the 60th Regiment. Praying that the quartermaster sergeant of the Royal Highland Emigrants may be ordered to pay the amount due him for goods purchased, and money advanced him.		111
April 26, Quebec.	James McIntosh. Stating his services at Louisbourg, &c., and praying for relief.		113
May 6, Quebec.	Hugh Munro. Praying for employment, as he is ashamed to receive subsistence without doing anything in return.		115
May 21, Quebec.	Caleb Green. For relief and to be sent back to Montreal.		117
June 8.	Thomas Barron, a suspected person. Stating his loyal services, his suffering and losses, and praying for employment.		119
June 24, Sorel.	Sergeants Jacob Miller and John Peter Sommer and private John Caldwell. Stating their services in raising men, for whom they had received no acknowledgment.		123
	List follows of the men raised and how distributed.		125
August 16, Quebec.	Thomas Barron. Praying for an appointment.		128

1779.	John Jones, a loyalist. Stating his sufferings, services, and losses, and praying for a present allowance and for employment.	Page 130
August 19, Quebec.	Walter Sutherland, volunteer, K. R. R. N. Y., stating his services and asking to be employed on Lake Champlain.	133
August 31, Quebec.	The officers in Canada of Rogers' corps, applying for further subsistence; on leaving New York they received subsistence up to the 24th of July.	136
September 19, Quebec.	Stephen Tuttle. Stating his services and the sufferings of himself and family, for the consideration of His Excellency.	138
September 20.	Silvanus Everts. Stating his suffering and losses, and praying for subsistence.	140
October 13, St. John's.	Oliver Everts. His services, losses and sufferings; owing to sickness since he escaped with his family to Canada the money he brought is expended; prays for relief.	145
October 15, St. John's.	A pass from Colonel Skeene and other documents.	149 to 151
October 18, Machiche.	Susan Adams, wife of John Adams. Prays for a continuance of the allowance, or that her husband be relieved from teaching school gratis, so that he might employ himself to obtain support for his family.	152
October 23.	Elizabeth Thompson. That her husband to avoid the treatment threatened by the rebels had escaped to Ireland; she had escaped with her infant daughter to Canada, and now prays for a passage to Cork.	154
October 24, Machiche.	Certificates of the loyalty, &c., of Peter Gilchrist.	156
November 19.	Mayor James Gray, introducing Lieutenant Robertson to Brigadier Powell.	157
December 22. Quebec.	Donald Wilkinson. Stating his services at Louisbourg and Quebec; his sufferings from the rebels, &c., prays for relief.	158
December 27.	John Butterworth. Stating his losses and offering to teach and preach at any garrison or corps to which he might be sent.	161
December —.	Peter Gilchrist. Praying for rations.	164
December —.	Edmund Terry, a disabled loyalist. Applying for relief.	165
December —.	John Howard. Praying for subsistence.	168
1780.		
February 1.	Lieut-Colonel Robert Rogers. Stating the steps he wishes to take for raising men; recommending his brother and suggesting the destruction of Machias, &c.	170
February 22, Montreal.	Joseph Beatie, a loyalist. Praying for subsistence.	177
March 2, Sorel.	James Glenie to Captain Twiss. Forwarding a petition from Berthier for the erection of a bridge.	180
	The petition (in French) follows.	182
March 9, Montreal.	Anthony Bradt. Praying for relief.	185
March 17, Montreal.	Certificate by Major McAlpin of the appointment of Isaac Man to be Brigade Major in 1777.	186
April 26, Berthier.	Stephen Tuttle. Praying for relief.	187
April —.	Thomas Barron. Praying for relief.	189
May 10, Fort George.	William Fraser to his sons, William and Thomas. Stating his sufferings in escaping from the power of the rebels. Prays them to do all possible to get him and the family into Canada.	190
May 18, Quebec.	John Thompson. Applying for bateaux for the upper posts.	192
June 19.	Certificate by Eben. Jessup of the loyalty and sufferings of James Bradshaw.	195
July 2, Quebec.	Neil Robertson, loyalist in McAlpin's corps. Praying for promotion.	196

1780.	Allan McDonnell. His imprisonment and escape; prays for a commission in one of the newly raised corps.	Page 199
July 21, Machiche.	Ebenezer Jessup and Hugh Munro. Praying that the latter may be appointed to the command of the late Major McAlpin's corps, and that it be added to Jessup's.	201
July 21,	W. and T. Fraser, officers of loyalists. Urging their claim to be sent on recruiting service, and asking consideration for William Fraser's seniority in McAlpin's corps over Neil Robertson.	204
July 26, Yamaska Blockhouse.	John Macomb. Stating his services; shows by account rendered the balance due to him, and prays to be appointed commissary at Detroit, all his family being there.	207
August 3, Quebec.	The account referred to above.	206
September 12.	Hugh Munro, giving a statement of his case since he joined the troops in 1777, and praying to be reinstated as senior officer of Jessup's corps, to which he properly belongs.	210
November 3, Quebec.	Walter Butler. That being granted leave to purchase into an established regiment it will be necessary for him to go to Niagara to settle accounts with the different companies as paymaster, and asks leave to set off, before it is too late in the season.	217
November 13, Quebec.	Peter Drummond. Praying that he should be ordered payment of his back pay, not having received any from the 24th of June, 1777, to this date.	218
December 16.	John Peters, Edward Jessup and William Fraser. Calling attention to the proceedings of Major Rogers on the recruiting service; the obstacles thence arising and asking for a remedy.	221
December —	Memorial of certain loyalists, asking to be formed into a corps of rangers.	228
December —.	Petition of Phœbe Grant, widow, that her late husband's allowance may be continued to her and the children.	231
December —.	Petition from Meroy McLaren, widow of Peter McLaren, that her late husband's allowance may be continued to her and the children.	233
1781.	John Howard. Praying that he may be paid for services (stated) he having lost the vouchers to show what he was promised.	235
February 15, St. John's.	Philip Empey. Stating his services and sufferings, and praying for additional subsistence (see also p. 36).	237
March 1, Montreal.	Mrs. McAlpin, widow of Major McAlpin, stating his services, the great expense he incurred, and that only the sum of £6 13 17s. 5d. remains for the support of herself and two daughters, and asking for the royal bounty.	243
March 15, Montreal.	The account referred to.	241
March 21, St. John's.	Andrew Naughton. Praying for an addition to his pay.	246
March 22, St. John's.	John W. Meyers. Praying for relief until he has an opportunity to complete his company by recruiting.	247
April 3, Quebec.	James Rogers. Praying for authority to recruit in the Colonies; it is proposed to join Peters' corps and afterwards form two battalions, and as he would be of more service on the frontiers of New England than anywhere, Colonel Rogers has no objection to his being transferred.	243
May 30, St. John's.	Petition of loyalists to be granted a flag of truce, so as to get their wives and children out of the hands of the rebels.	250
June 2, Quebec.	Jacob Snyder. Praying for relief, having been taken prisoner, and thus prevented from receiving a commission in McAlpin's corps.	253
June 17, Quebec.	John Platt. Giving a detailed account of his services since 1775, his losses, expenditure supplying loyalists, &c., with provisions; his employment in secret service has prevented him from raising men for his company. Prays for relief.	253

1781.			
July 2,	Elizabeth Phillips and Dorothy Windecker, wives of men in Butler's Rangers. Praying that they may be allowed to join their husbands at Niagara.	Page 258	
September 10,	John Macdonnel, loyalist, 74 years of age and his wife 67. Stating that he has nine sons, seven in the army, and two on the King's works. The persecutions he has suffered; being reduced to poverty from the losses he has sustained, prays for relief.	260	
September 17,	William Miller. Praying for indemnification for the damage done to his property by the chasseurs.	263	
September 19,	William Hogan. Praying for an allowance and for such employment as may render him deserving of this bounty.	265	
September 22,	Walter Butler. Praying to be promoted to the majority in his father's regiment.	267	
September 23,	Petition (in French) from Messrs. de Boucherville and d'Aillebout-Cuisy for themselves and other French Canadian officers. Desiring to be informed how their past claims are to be settled and what is to be their future employment.	270	
October 1,	Lieutenant-colonel John Butler, for himself and officers. Praying that the words in their commissions, "to serve with the Indians," may be omitted as they are made a pretext for ill-treating any of the corps of rangers who may be taken prisoner.	272	
October 2,	Joseph Beaty. Stating his services in detail, from September, 1777, and praying that he may be provided for in Rogers' Corps.	275	
	The memorial, referred to Riedesel, was reported on favourably by him on the 5th October.	274	
October 14,	Benjamin Patterson. Praying for relief.	233	
St. John's.			
November 3,	David Phelps. Praying for subsistence as a loyalist.	285	
Quebec.			
November 19,	Thomas Mann. Praying to succeed Ensign Haver.	288	
Verchères.			
1782.			
January 2,	Roelof Vandecar. That his allowance has been withdrawn; prays for payment of his expenses on secret service.	291	
Montreal.	Enclosed to Abraham Cuyler.	290	
January 6,	Francois Hogel. Praying that he may be employed in the army, as he does not wish to be considered a useless encumbrance.	293	
Montreal.			
January 18,	Certificate by Francois Hogel that a horse belonging to George Rouse, employed in Government service, was taken by the rebels in 1777.	295	
Verchères.	A certificate of Rouse's loyalty follows, dated 1st February and signed by Christian Wehr and other loyalists.	296	
February 16,	William Parker, private K. R. R. N. Y. Calling attention to the fact that black people, loyalists from the Colonies, have been made slaves in Montreal and praying that they be freed.	297	
Montreal.			
March 12,	James Blackley. Praying for relief.	299	
St. John's.	Certificate by Captain Robert Leake, of Blackley's loyalty, &c.	301	
March 14,	Stephen Ducolon. His services and losses; prays to be employed; he would prefer to supply a vacancy as surgeon to one of the corps.	302	
St. John's.			
March 14,	John Butler and Hermanus Best. Asking leave to proceed to fill up their company by recruiting.	304	
St. John's.			
March 16,	William Parker. Praying that if two negroes, who came in from the Mohawk country, do not join Sir John Johnson's corps as they agreed to do, that he shall be paid for the provisions supplied them and for his trouble.	305	
Montreal.			
March 19.	Duncan McCarty, corporal. Praying for an allowance whilst employed on secret service,	306	

1782.		
March 19, Verchères.	William Lamson. For leave to recruit in the Colonies.	Page 307
March 19.	Abraham Freese. Praying for an allowance whilst employed on secret service.	310.
March 21.	Loyalists (signatures given) for a flag of truce to bring their families from Skenesborough.	311
March 27.	Certificates in favour of Mr. Monier, late post master at Albany.	313
March 27, Montreal.	William Hogan. Renewing the prayer of his petition (p. 265) of September last, for employment, he having been allowed a ration.	315
March —.	Roderick McLeod, formerly of the 78th Regiment. For a ration and wood.	316
April 20, Montreal.	James Cusick. Stating his services under Shirley, &c., and detailing his course through the different campaigns since, and praying for relief.	318
May 2, Montreal.	William Johnston. Praying for relief.	322
May 26, Verchères.	James McIlmoyle. Stating how he was taken prisoner and released, and reporting what he believes to be the state of feeling at Sunderland.	323
May 29, Verchères.	Isaac Man, junior. Praying for pay for services.	325
	Note to Major Jessup follows.	327
June 7, Quebec.	Mary Rogers, widow of a loyalist. Praying for subsistence, her husband having been hanged for his loyalty by the rebels in 1777, she herself stripped of every thing and obliged to fly for shelter to her relations. That not satisfied, the rebels ordered her to leave the country.	329
	The order signed by a justice.	328
June 13, Sorel.	William Johnston. Petition with certificates, praying for subsistence or a passage to Great Britain or New York.	331
June 17.	Certificate of the loyal services of Duncan Campbell, formerly of Albany.	333
June 18.	Remonstrance of men engaged to join Major Rogers' corps against being transferred to Jessup's.	334
July 27, Verchères.	Isaac Man, junior. For permission to recruit in the Colonies.	337
July —.	Benjamin Pawling, lieutenant in the rangers. For the vacant company.	336
August 10, St. John's.	James Login. Praying for books and instruments of geometry.	340
September 25, St. John's.	Terence Smyth. Praying for employment.	343
October 11, Quebec.	John Ryckman. Praying for relief.	345
October 11, Quebec.	Philip Luke. Praying for employment and for temporary relief.	348
October 18.	Memorial of the officers of the King's Royal Regiment of New York. Praying that the battalion may be put upon the establishment, as they are afraid should there be peace before that is done, they may be reduced without half pay.	354
October 21, Verchères.	Eben. Jessup to General Tryon. The efforts he made to raise men frustrated by the misfortunes of 1777. Mrs. Jessup and the children are going to England; recommends them to the general's friendship.	351
November 6, Montreal.	William Kennedy. Stating his services and asking for relief. The request is in a long letter to Abraham Cuyler.	357
November 19, Montreal.	John Brackan. Praying for relief.	363
November 28, Chambly.	Duncan Cameron. For additional relief, for the support of his family.	364
November 30, Montreal.	Widow McDonell. For the continuance of her late husband's pension.	365

1782.			
December 6.	Philip Empey to Abraham Cuyler. To be recommended for subsistence.		Page 370
December 20,	Benjamin Houff. Praying that he may receive the full benefit of His Majesty's proclamation.		372
December 21.	Hugh Munro to Cuyler. Stating his unfortunate situation and asking him to get His Excellency to grant him a sum in full of all demands, that he might begin life again.		374
December —	George Rowse. For liberty to join one of the corps now raising, as he does not wish to be unemployed.		390
December Montreal.	Joseph Hanes. Praying for relief.		388
December —	Thomas Millard that his former allowance should be restored.		386
December —	Walter Scott. Stating his sufferings and losses, and praying for relief.		384
December —	Report on the situation of Ronald McDonell; if he is deprived of his pension he and his wife would be reduced to great distress.		383
December —	Hendrich Mattia. Praying for an allowance.		382
December —	Ephraim Jones. That his former subsistence may be continued to him.		380
December —	Michael Carman. Stating his losses, and praying for relief.		377
No date.	Account of John Howard of Pfister's corps, showing a balance of £120 odds.		242

MEMORIALS FROM THE PROVINCIAL CORPS AND LOYALISTS.

1777-1785.—VOL. 2.

B. 215.

B.M. 21,875.

1783.			
January 1,	Jeptha Hawley. For the restoration of his full allowance, the reduction being made on account of the discharge of part of his men in his absence on duty.		Page 1
January 3,	Alexander Campbell. For subsistence.		3
January 3,	Roelof Vandecar, sworn account against Government for expenditures on service.		5
January 3,	Guillaume Lamothe (in French). Praying for a house outside of the fort at Detroit in which he had his quarters.		7
January 25,	Lois Loveless, widow. For the continuance of her husband's pension to the children. (Apparently she was about to marry again.)		8
February 12,	John Thomas Prenties. That in consequence of his arrest, he is in distress and prays for relief.		9
May 4,	Thomas Gumersall, captain. Praying for his allowance whilst acting as quartermaster.		13
May 10.	A recommendation by Major Ross.		12
May —	Allan McDonell. Praying for the continuance of his pension.		11
May —	William Bryden. Praying for his discharge that he may be allowed to return to his family.		14
June 2,	Jonathan Miller, King's Rangers. Praying that the pay promised to him by Dr. Smyth may be paid him.		15
June —	Memorial of loyalists (names attached). For leave to settle on the Caldwell lands on Lake Champlain.		17
June 2,	Claudius Bretell. Praying for leave to return to Otter Lake, as he has received no subsistence and is unable to make his living here.		20
June 16,	Robert Nichols. That the beef sent in by him and Holmes was at their own risk and not from promises made by Pritchard. If any allowance is to be made it is to him, as Holmes only brought three small cattle.		23

1783.			
June 19, Quebec.	Isaac Man, junior.	For an inquiry into his conduct.	Page 24
June 19. Quebec.	John Mann.	Praying for the continuance of his allowance, or employment. The memorial states his services.	25
July 24, Isle aux Noix.	Loyal Rangers.	Praying for their discharge, if consistent with His Majesty's service.	28
		List of names of the petitioners.	31
July 26.	Hugh Munro.	For compensation for his losses.	33
August 14, Quebec.	Rudolphus Ritzema.	Praying for a refugee pension.	34
August — Montreal.	Ebenezer Allan.	Complaining of the treatment he has received, and asking to be sent to his former place of residence. He desires a fair trial for any crime with which he may be charged.	35
August 15.	Francis Hogel.	Praying for employment in the army and the continuance in the meantime of his allowance.	37
August 18. Quebec.	John Monier.	Has arrived from New York with other loyalists and not being able to farm, asks for employment.	39
August 18, St. John's.	Loyalists (names given)	praying for a pass to go to Vermont for the settlement of their affairs, and to return.	40
August 19, River du Chêne.	Edward Jessup.	For leave to go to England.	41
August 20, Quebec.	Samuel Wright.	That the property he brought with him is exhausted; prays for relief.	44
August 27, Dublin.	Reverend John McKenna,	who was clergyman to a body of Highlanders settled on Sir John Johnson's estates. States his services, sufferings and losses in detail, and prays for compensation.	46
		Certificates in his favour by Carleton, Riedesel and Cleve, A.D.C. to the latter.	53
August 27, Sorel.	Alexander Campbell.	Sending certificate as to his losses.	54
		The certificate is at	45
September 1, Sorel.	Donald MacIntosh.	For a pass to go to Otter Creek.	55
September 8, St. François.	Officers of Rouville's Company (names signed),	Memorial (in French). Complaining that their allowances are withheld and praying for redress.	56
September 15. Sorel.	Alexander White.	Stating his loyalty, his services and losses, and praying for relief.	59
		Certificate by Sir John Johnson, dated Montreal, 12th September.	58
September 22, Montreal.	John Thompson,	late of Burnet's Field, on the Mohawk. Stating his losses and praying for relief for himself and family.	62
October 8, Lachine.	Joseph Anderson,	for leave to close up a useless road between his farm and the King's store at Lachine.	65
October 12.	Petition of settlers on Onion River.	For leave to carry on trade with the Province of Quebec.	66
October 24.	Petition of loyalists lately from New York.	For leave to settle in Quebec.	67
October 26, St. John's.	John W. Meyers and Thomas Sherwood.	For a grant of lands eastward of Missisquoi Bay, for settlement.	69
		A list of those of whom the settlement is to be composed.	70
October 30, Sorel.	Patrick McNiff.	For subsistence or employment.	71
		In a letter of the 8th January, 1784, a duplicate of this petition is sent.	76
November 3, Sorel.	Daniel McGinn.	For relief or employment (covering letter at page 78).	77
November 5, Sorel.	Jenne.	Stating his services and losses, and praying for relief.	79

1783.			
November 15, Montreal.	Roelof Vandecar. Praying for an inquiry into his conduct; his services and the false reports respecting him (covering letter p. 83).		81
November 17, Montreal.	Major Gray and captains of the R.R. N.Y., praying for a share of the allowance for off-reckonings.		84
November 24, Montreal.	Richard Lipscomb, lieutenant and quartermaster of the 1st Batt. K. R.R. N.Y. For leave to sell his quartermaster's commission.		85
December 6.	Andrew Coulter, an old soldier. Praying for relief. Certificate of his services.		86 88
December 18, Montreal.	Major James Gray. Praying for authority to exchange his rank of half-pay major with Captain Duncan, in order to apply the difference to the discharge of his debts.		90
December 18, Montreal.	Patrick Langan. For a company, if Captain Leake should succeed to the majority of the 2nd Batt. K.R.R. N.Y.		93
December 22, River du Ottawa.	Certificate of the services of Thomas McKnight.		94, 95
December 31,	Reverend John Stuart. To be appointed chaplain at Catarqui.		96
December —,	Lieut. James Robins. Loyal Rangers. For back pay.		98
December —.	Roger Stevens. Stating his services and praying for relief.		100
December —	Ralph Spooner. Praying for relief.		103
December —	John Savage. Praying for His Excellency's patronage.		104
December —	William Smyth. Praying for relief.		106
December —	Copy of Governor Tryon's recommendation of Eben. Jessup.		108
December —	Thomas McKnight, captain. For his pay from 16th August, 1777, to the 24th May, 1781.		109
1784.			
January 2, River du Ottawa.	Memorials of commandant and captains of the Loyal Rangers, for warrant money as allowed to the British troops.		110
January 12, Niagara.	Memorials to the commissioners on losses : John Shiereland. Nicholas Phillips. Hendrick Hoff.		113 114 116
January 26, Sorel.	John Monier. Praying to be sent to Frontenac as commissary.		119
January 26, Sorel.	Frederick Williams. Praying for relief. Certificates by VanAlstine (p. 121); Stephen de Lancy (p. 122).		122
January 30, Sorel.	Thomas Pryce Jones, for his rations to be continued. Certificates from Alexander White (p. 124); from Major LeMoine (p. 125).		126
January —, Sorel.	Associated loyalists for Catarqui. Praying for tools and other articles.		129
February 2, Quebec.	W. Tyler, lieutenant, King's Rangers. Stating his services and losses.		135
February 8, Sorel.	Joseph Jessup. Stating his expenses for recruiting men for the Loyal Rangers, and praying for an inquiry.		138
February 19, Sorel.	Isaac Man. Stating his losses and praying for a pension.		140
February 23, Sorel.	Mary Rogers, widow. Stating her age and sufferings, and praying for relief.		142
February 26, Sorel.	Alexander White. Praying for subsistence.		143
February 26, Sorel.	Daniel McGinn. For relief.		145
February —	Duncan Campbell, settled on Caldwell Manor. For provisions.		147
March —	Memorial, praying for relief, of Michael Grass and other loyalists from New York.		133
March 9, Sorel.	Patrick Smyth. For assistance to get his wife and family over the lake, before it becomes impassable.		148

1794. March 25.	Jane, widow of Nicolas Housomer. Stating her husband's services and praying for relief.	Page 151
April 2, St. John's.	Roger Stevens. Stating his services and praying for relief.	155
April 15, Montreal.	Adam Empey. Praying for permission to trade in dry goods and liquor between Montreal and Niagara.	157
April 30, Sorel.	John Henry Aussem. Praying for compensation for medical attendance on loyalists.	159
May 11, St. John's.	Loyalists praying to clear up doubts as to the conditions on which bounty is to be paid them on settling.	162
May 17, Montreal.	Allan McDouell. Praying for the continuance of his pension.	165
May 24, Montreal.	Edward Foster. For relief.	166
May 24, Montreal.	Ebenezer Allan. Praying to be released from gaol and his case inquired into.	167
May 31, Quebec.	Rev. George Gilmore. Praying for an allowance to enable him to perform clerical duties at the Bay of Chaleurs.	168
May 31, Quebec.	Samuel Hindman. For temporary relief.	169
June 3, Lachine.	John Marier. Praying for suitable employment, as he is unable to clear a farm.	171
July 3, Cataraqui.	Ebenezer Allen (Allan in previous petitions). For a pass to go to the Colonies.	173
July 20, Quebec.	Hugh Munro. Praying for relief.	175
August 18.	Ebenezer Allan to Mathews. Urging the prayer of previous petitions.	177
August 20, Quebec.	John Goodenough. Praying for relief.	179
September 24, Quebec.	Isaac Man. Owing to illness in his family, he has been compelled to remain at the Island of Orleans, on his way to Bay of Chaleurs. Prays for an advance to settle debts incurred by the delay.	180
	A second petition, dated 28th September, prays for a pension for life.	181
October 6.	Walter Sutherland. For employment in the Indian Department.	183
October 16, Verchères.	William Scharmerhorn to Sir John Johnson. Stating his services and distress.	238
October 28, Quebec.	Baron Schaffalisky, (in French) For a continuance of his pay as an officer of the rangers.	184
	Additional statement of facts (in English) in support of his petition, dated 12th November, 1784.	186
No date.	James McDonell. For a hearing and for His Excellency's patronage.	188
	Alexander White. For assistance to proceed to Great Britain.	190
	Solomon Jones, late surgeon's mate. For relief.	193
	James Quinn. For employment.	195
May —, London.	Lient.-Colonel Butler. Narrative of his services in America, to be added to the schedule of his losses laid before the Commissioners.	196
No date.	Certificate of the loyalty and services of Neil Robertson.	203
	Thomas Gumersall. For payment of his allowance as quartermaster during the time he acted in that capacity.	204
	John Peters. Representing certain Loyalists in Canada, objecting to go to so remote a part of the Province as Cataraqui, and asking leave to go to Missisquoi.	206
	Same. Stating his services, &c., and asking leave to complete his battalion on the frontiers of (New) York and New England, which may be of use on Lake George and Lake Champlain.	212

No date.	Jacob Shafer. For employment.	Page 213
	Loyalists on Caldwell Manor, for the same benefits as if they had settled on Government lands.	215
	Michael McCann. For leave to sign as a loyalist under Sir John Johnson.	217
	Moses Delesdernier. His services, the unjust charges brought against him by Lieut.-Governor Francklyn, and protesting his loyalty, &c.	218
	Mathew Sterna, for relief.	222
	William Hutohison, for a situation in the excise.	223
	David Brackenridge. For employment.	226
	Proposals by Messrs. Rogers and Peters. For raising two battalions.	228
	Donald McIntosh. For relief.	230
	John Platt. Praying for redress.	232
	Simon J. Cole. For relief.	234
	Allen McDonell. For promotion in one of the newly raised corps.	236
	Widow Diederich. For relief in her distressed situation.	240
	George Finkle. For subsistence.	241
	Isabel Parker, a loyalist from New York. That she has always assisted the men on secret service. Prays that her son, now a prisoner, may be exchanged.	242
	Thomas Barron. Praying for assistance and employment.	243
	Helena McLeod, widow of Norman McLeod. For relief.	245
	Alexander Kennedy. For his pay and allowance of clothing whilst a prisoner.	246
	Certificate by Captain John McDonell and other officers, to Sergeant Sommers.	247
	Azariah Pritchard. Proposal to raise men to serve as rangers.	248
	Hendrick Ruitter. For the pay of captain whilst he remains in Canada	250
	James McNeal, of Jessup's corps. For employment as a school-master.	251
	Loyalists in King's Royal Regiment of New York. For measures to be taken to get their families out of the hands of the enemy.	253
	John Rogers. Stating his services; the execution of his father for loyalty, &c., and praying for relief.	255
	John Adame. For an allowance.	256
	Richard Wilkinson. For relief.	258
	—Bliss to Captain Brehm. Stating his service and asking his influence to have him continued in the commissariat.	260
	Simon Huntington. For relief.	262
	Simeon Covill. For leave to go to England and to be allowed provisions.	264
	Francois Hogel. His services; prays to be appointed to one of the vacant companies.	265
	Simon J. Cole. For employment.	267
	Henry James Jessup. For a commission to practise as a barrister.	269
	The family of the late Major McAlpin. For relief.	270
	Samuel Hindman. For relief.	271
	Samuel Freeman. For relief.	272
	John McKenzie. For relief.	274
	Peter Miller. For provisions and clothing for himself and family.	276
	John McPherson. For relief.	278
	Abraham Hyatt. For relief.	280
	Henry William Shaughnessy. For leave to raise men to entitle him to a commission.	281

No date.	Extract of instructions to Malcolm Fraser, paymaster of the 84th of Ogilvie, the regimental agent in London.	Page 283
	Undated memoranda respecting prisoners, &c.	284 to 287

MEMORIALS FROM THE INDIAN AND NAVAL DEPARTMENTS,
1776-1784.

B. 216.

B.M., 21,876

INDIAN DEPARTMENT.

1778.	Edward Pollard to Bolton. Has examined Butler's accounts and found them correct. Remarks on regimental changes.	Page 4
June 2, Niagara.	John Peters to Mathews. Reporting the bad conduct of Indians at Onion River; all but fourteen Mohawks consent to go on the expedition; provisions wanted.	6
August 11, Belemequin Bay.	Alexander McKee to Haldimand. Congratulations on His Excellency's arrival. Recalls his services at Fort Pitt, his imprisonment and escape. Reports a correspondence between the rebels and the Spanish at New Orleans; proposed expedition against Pensacola. Respecting office in the Indian Department and his salary.	8
September 6, Detroit.	Jacob Adams. Stating his services; his dealings with the Indians; proposes to go on a scout with them and asks leave on his return to come to Montreal.	11
September 20, Carleton Island.	The same. Had purchased from the Indians a Yankee boy taken prisoner, who is to serve him for four years; also an old man, who, with the boy, has been sent to His Excellency. Asks to be paid for the expense of purchasing the two.	14
December (?)	Further respecting the Indians and the Yankee boy, and renews his request for leave to go to Montreal.	16
1779.	West Bowen. Complains that he cannot get a settlement for his pay as a ranger in Walter Butler's company and praying for redress.	18
July 17, Montreal.	Statement of the pay and necessities he has received.	20
1780.	Alexander McKee. Praying for a permanent position.	60
August 22, Detroit.	Jacob Adams. For three months' pay due previous to the settlement made with him by Sir John Johnson.	21
October 9.	Jacob Schieffelin. That he was taken prisoner with Hamilton; states the expense effecting his escape and the loss of his mercantile business, and prays His Excellency's protection.	24
October 21.	Certificate by Col. John Butler of the time up to which he had paid Lieut. Lewis Clement.	25
1781.	John Dease. Stating his services and his losses in consequence of employment in the Indian Department. Asks leave to recruit for a company and to obtain a commission in Butler's Rangers.	26
April 19, Niagara.	A second memorial to the same effect dated 26th March, 1782.	30
July 3, Niagara.	Richard N. Wilkinson. Stating his services and applying for one of the two companies of rangers now vacant at Niagara.	28
October 20, Niagara.	1782.	
June 5, Montreal.	Sarah McGinn. That her husband was killed near Lake George, under the command of Sir William Johnson, and her only son wounded in the present rebellion; her subsequent losses. She is at great expense for feeding the Indians who come to her place at Carleton Island. Prays for additional rations and for payment of cattle delivered to the commissary in 1777.	32
June 9, Quebec.	George McGinn, lieutenant in the Six Nation Department. Stating his services and asking for pay and allowances, his wound having unfitted him for active service.	36

1782.	Medical certificate follows.	Page 40.
	Another petition to the same effect, dated at Montreal, 23rd June, 1783.	55
August 18, ⁷ Quebec.	Joseph Clement, praying for the payment of arrears due to his late father.	43.
August 29, Montreal.	Certificate from D. Claus of the date to which the father was paid. Margaret Hare, widow of Lieutenant John Hare, killed at Oriska, in St. Leger's expedition in 1777. Her suffering and losses, &c. Prays His Excellency's consideration for herself and six children.	42 45
	A second petition dated 25th November, for rations.	51
	Certificate of her late husband's loyalty and services.	52.
October 7, Quebec.	John Ryckman. His capture on an expedition to the Colonies; his escape; prays for assistance to rejoin the Indian Department.	48
—	John Johnson. Praying for arrears of pay, and for leave to join a provincial corps as a volunteer.	53
1783. July 30, Niagara.	Officers of the Six Nation Indian Department praying for a provision in view of the expected reduction.	57
September 2, New-York.	Peter VanAlstine and other loyalists, to Sir Guy Carleton. For six months' pay in advance and a recommendation to the Governor of Quebec.	64
September 8, New-York.	Memorandum of the amounts received. Return of the loyalists embarked on board the transports for Canada.	63 67
September 10, Montreal. see	Representation of the officers of the Six Nation Department and application for grants of land.	70
September 15, Detroit.	William Lamothe and Jacob Schieffelin of the Detroit Volunteers, for the same provision as is given in other corps.	74

NAVAL DEPARTMENT.

1777. October 1, Quebec.	Hilary Gosselin, master of the snow "Friends." Stating the vessel's services, he and his crew with the vessel having been detained at Quebec in the winter of 1775 and employed since. If not further required, asks for a proper discharge, certificate of service and the usual allowance to men discharged abroad.	78
December 14. 1778. January 8. New-York.	William Friend, late of His Majesty's sloop on Lake Champlain. Praying to be made pilot on the lake. Permit to the schooner "Sukey" to pass and repass, for the supply of fuel to the city.	80 82
July 20.	Capt. Zach. Thompson, of the Naval Department. For leave to go to England.	83
	An account of the time during which he has been employed follows.	85
July 25, Quebec.	Robert Whitfield. For a letter of marque for his armed ship the "Hope".	87
July —	L. Alder, R. N. For leave to quit the lake service and to go to Britain for promotion.	89
August 31, Niagara.	From some of the sailors on board of the "Seneca." To be discharged, their time having expired.	91
October 17, St. John's.	Alexander Mensies. Renewing his request for leave to quit the lake service.	94
October 15, Sass.	William Davis, late midshipman. For employment on land.	96
1779 January 22.	Thomas Marshall. Applying for pay. Report of Capt. Schank. That he is absent without leave. Application from Edward Simpson refused for the same reason.	98 99 100

1779.			
March 12.	Joseph Judge. Stating his services and praying for an allowance for pilotage, &c.		Page 109
Cork.	William Friend. Owing to his advanced age and infirmities, asks leave to quit the service.		102
March 12.	John Gray, late naval storekeeper. For employment.		104
St. John's.			
July 29,	Joseph Judge, agent for victuallers. For a recommendation to the Treasury.		107
Quebec.			
August 28,			
Ship <i>British Queen</i> .			
1780.			
March 3,	William Davis, late of the "Viper" sloop of war. For employment.		111
Quebec.			
May 9,	Lieut. Richard Peter Tonge, naval service. For promotion.		113
Quebec.			
July 27,	Thomas Dunlap, seaman on Lake Erie. For his discharge.		115
Detroit.			
August 29,	Lieut. William Baker, naval department. For confirmation in his commission.		117
Quebec.			
December 14.	Johan Cristian Jecker, a Hanoverian sailor. To be received into the hospital for medical treatment.		119
Quebec.			
December —	James Laha, seaman. For leave to go on a whaling voyage.		121
1781.			
February 13.	William Franklin, president of the Board of Associated Loyalists, to Capt. John Brooks. Instructing him to make a descent in the armed schooner "Maid of Honour", on the coast of Connecticut, in co-operation with Capt. Nathan Hubblell.		124
New-York.			
Pass of same date.			123
1782.			
February 15,	James Frost. For the post of captain of the port of Quebec, vacant by the death of Capt. Napier.		126
St. John's.			
February 15,	Lieut. Richard Peter Tonge. For the post of captain of the port of Quebec.		130
Quebec.			
September 8.	Seamen on Lake Erie, to be paid every three months.		132
October 12,	T. Mignerou, lieutenant in the navy. For leave to remain in Quebec till spring.		134
Quebec.			
No date.	The naval officers on the lakes. Praying that the benefit of half-pay may be extended to them.		136
1783.			
January 9,	William Halcro. For promotion.		139
Quebec.			
May 3,	William Robertson. For an allowance whilst engaged in cartel service at New York.		141
Quebec.			
July 19,	A petition of same date and to the same effect, from Lieut. Tonge.		143
Detroit.	Mrs. Andrews, widow. Asking what pension she is to receive and how it is to be paid.		145
	What appears to be the answer, in the form of a question by Captain Sohank and answer by Haldimand, both undated.		173
July 20,	Captain Daniel Robertson, to Brehm. His distress for want of rum for the Indians; believes he can reduce the expensses of the post, without making the Indians discontented. The new vessel nearly ready, which he thinks His Excellency might give him.		147
Michillimackinac.			
September 29,	Alexander and William Wishart. To be put on the same footing as other Loyalists in respect of lands.		149
Quebec.			
No date.	Edward Henderson. For his pay as pilot.		151
1784.			
January 28,	John Brook, sailing master on the lakes. For employment among loyalists.		155
Quebec.			
February 17,	Edward Henderson. Stating his services not paid for; praying for redress and a pass to New York.		18
Quebec.			

1794.	James Cheesborough, late mate of the "Mercury." For four months pay on his discharge.	Page 162
March 25, Quebec.	John Brook, late sailing master. For a gratuity of two months' pay.	164.
March 29, Quebec.	John Allen, late non commissioned officer in the Naval Department. For land on the same footing as the loyalists, or two months' pay as a gratuity.	166
April 30, Quebec.	Thomas Williams, shipwright. For his pay during the time he has been in the hospital, according to agreement.	169
June 9, Carleton Island.	Captain Alexander Grant. Stating his long services (given in detail); prays for a provision for his support and for the confirmation of a grant of land made to him by the Indians of Detroit.	170
September 8, Quebec.	John Peyton, captain of the naval armament on Lake Champlain. For leave to resign and return to England for promotion.	174
No date.	Edward Henderson. For a court of inquiry into any charge that may be brought against him.	176

MEMORIALS FROM CIVILIANS IN CANADA.

1777—1785.

B. 217.

B. M. 21,877

1777.	Memorial of merchants and commanders of vessels in the trade from Quebec and Montreal to Great Britain. Praying for two ships of war to act as a convoy for the merchant ships to sail on the 25th of October.	1
August 18, Montreal.	Ann Drogan, widow, that her child may be admitted to the general hospital.	4
1778.	Moris Herin. For a place in the hospital.	6
July 11, Quebec.		
July 16, Quebec.		
August 11, Montreal.	Chapman Abram. Stating his services; praying for leave to go to the upper posts to collect debts due to him and for a recommendation.	7
August 30, Montreal.	James Cusick. Stating his services and asking for employment.	10
August 31, Montreal.	Joseph Howard. To be confirmed in his commission as vendue master, and for others to be prohibited from practising the same without being duly authorised.	13
September 30, Montreal.	Merchants of Montreal. Applying for a convoy for the trade fleet leaving on the 5th of October.	15
September 30, Montreal.	British merchants of Montreal. Complaining of the inconvenience to which they are put by the change in the regulations affecting post houses.	18
October 5, Montreal.	Alexander Henry. For allowance to sell a negro for debt due by his master.	21
October 17, Quebec.	John King, a negro. Stating his services and praying for his liberty.	23
October 28, Quebec.	David Allgeo. Stating his losses and praying for employment.	24
October 27, Quebec.	Rathass Coffee. Praying for his liberty.	28
October 28, Quebec.	David Lynd, clerk of the peace. For the salary from the date of his appointment.	29
October 28, Quebec.	A second memorial on the same subject, dated 27th November.	41
November 2.	Andrew Simpson. Charging Dr. Duff with having swindled him and praying for redress.	31
	Elizabeth Fitzgerald. That she and Capt. Schank are engaged to be married and asking for His Excellency's sanction.	33.

1776.	A second letter, undated, on the same subject.	Page 36
November 3, Quebec.	Merchants of Quebec and others. Complaining of abuses in the management of the post houses between Quebec and Montreal.	39
December 11, Quebec.	Ann Deanmaid, widow of a soldier. For relief.	43
December —	Duncan McCraw. For a licence to sell liquor.	46
1779.		
January 12, Montreal.	George Young. For a salary as orier of the Court of Quarter Sessions.	48
January 23, Quebec.	Donald McKinnon. To be admitted to take the oath of fealty for his lands.	50
January — Montreal.	John Pullman. For licence to continue his school, with a memorial of residents of Montreal in support of the petition.	52
February 15, Terrebonne.	Thomas Petters. For redress on account of damage done by the Chasseurs.	55
	Letter enclosing the memorial.	58
March 10, Quebec.	William Forbes. Stating his losses and praying for relief.	59
March 24, Quebec.	Laughlin Smith. For the office of searcher and waiter in the Custom-house, Quebec.	61
March 31, Quebec.	John Piggot. For a licence to sell liquor.	64
April 6, Quebec.	Three brothers, named Harper, escaped from the Colonies, who are willing to serve in any capacity in any corps to which they may be ordered.	66
April 6, Quebec.	David Allgeo. Renewing his request for employment.	71
April 27, Quebec.	Mary, wife of Murdoch Cameron. That a house bought by her at St. Roch has been taken for the use of Government; prays for compensation.	68
May 1, Montreal.	Merchants trading to Lake Superior and the North-West. For passes to send forward their goods with as little delay as possible.	73
May 21, Quebec.	Charles Patterson and William Grant. For passes for canoes to the North-West (List of passes granted is appended.)	78
May 21, Quebec.	Alexander Ellice, on behalf of the merchants of Detroit. Respecting the charge for transport by Stedman over the Niagara portage.	80
May 28, Quebec.	Robert Russell. For licence to practise as an attorney and advocata.	83
May 28, Quebec.	Ann Sinnot. For an order to receive the wages of her eldest son, shot on board the ship "Retrive" (<i>sic</i>).	84
June 7, Quebec.	J. B. Dumas. For pardon for the offence of illicitly dealing in flour and grain.	86
	The warrant committing him to prison for two months follows.	88
June 10, Quebec.	David Allgeo. For the office of naval storekeeper at Quebec.	89
June 28, Montreal.	William Hilt. Praying that his licence to sell liquor, which has been revoked, may be restored.	90
June — Percé.	Militia of Percé. For a reinforcement to protect the harbours, fisheries, &c., against American privateers.	92
August 7, Quebec.	Robert Russell. For a commission as notary public.	94
August 20.	William Dummer Powell. For a commission to practise as a barrister in the Province, he being a member of the Inner Temple, where he studied.	96
August 24.	Robert Macaulay. For a pass to go to Lake Champlain for the delivery of pipe staves, which he has sold to Mr. Grant, of Sorel.	97
September 2, Quebec.	William Ross, merchant, St. Anne's. Stating his services and praying for a pension.	99

1779.			
September 22.	Moses Delesdernier. That he has purchased provisions to send to the Bay of Fundy, not knowing that such exportation was prohibited. Prays for liberty to load one vessel.	Page 104	106
October 30, St. Sulpice.	J. B. Miros. For relief.		108
November 2, Quebec.	Thomas Walker. For licence to practise law in any of the Courts of Record in the Province.		108
December 6, Quebec.	James Park. For a licence for a house of entertainment he has lately fitted up on the St. Foye Road.		110
1780.			
January 5, Detroit.	Merchants of Detroit. Complaining of the delay in the transport of their goods and praying for certain changes in the system.		112
January 6, Montreal.	Agnes Laforce. That her late husband suffered for his loyalty and was compelled to leave Virginia; that she and her family were taken prisoners by British troops and Indians, and with 13 negroes taken to Detroit, where the negroes were sold. Prays for their restoration to her, or that she be paid their value.		116
February 15, Quebec.	John Lee, breeches maker. Complains that he has been notified to leave his house, of which he holds a lease, and praying for redress.		119
February 20, Montreal.	Richard Pollard. For a pass to send goods to Niagara.		123
February 24, Montreal.	Pheby David. Stating her claim against Mr. Deschambault and praying that the judges be ordered to proceed with the case.		125
March 17, Quebec.	W. Griffiths, surgeon. For employment as a surgeon.		129
April 10, Quebec.	Samuel Holland, surveyor general. Stating his services and claims, and praying for payment of his salary as surveyor general.		157
	Papers relating to the case.	162 to 171	
	Memorial referred to the committee of Council for examining accounts, on the 16th October, 1782.		172
	The report of committee and correspondence with the deputy receiver general, on the claim.	176 to 185	
May 20, Quebec.	Alexander and William Macomb, merchants in Detroit. For passes for 50 bateau loads of goods for the upper country.		133
May 26, Quebec.	Inhabitants of Quebec for the abatement of a nuisance.		134
June 6, Montreal.	John Raby. For the office of inspector of chimneys.		136
	The same, in French.		138
June 12, Montreal.	Thomas Walker. For a commission of attorney-at-law.		140
June 14, Quebec.	George Sinclair. For leave to recruit for a commission in the 8th.		141
June 27, Restigouche.	Indians of Restigouche and Nouvelle. Complaining of encroachments on their lands by the inhabitants of Bonaventure, and praying for protection. (The memorial is addressed to Lieut. Governor Cox.)		143
June 28, Quebec.	George Hips. For a licence to retail spirituous liquor.		146
June 30, St. Thomas.	Jeremiah McCarthy. Account for rent of his house occupied as a guard house by the Anhalt-Zerbst Regiment, and for damages.		149
	Memorial for payment.		152
July 14, Quebec.	James Monro. That being compelled from the state of his health to go to Britain, prays that Robert Russell may be authorised to act as notary in his room.		150
August 9, Quebec.	Constant Freeman. Praying that his children, newly arrived from Boston, may be allowed to join him.		153
August 29, Three Rivers.	Joseph Stansfeld (in French). That his sole means of livelihood is from the wood on his land. Prays for compensation for the wood taken from it.		186

1780.

A subsequent memorial (in English). For leave to cut pine on Government land above the St. Maurice Forges, to be paid for in boards.

Page 194

August 30, Quebec.	William Grant. Offering his services during the absence of Thomas Dunn.	188
September 6, Quebec.	Elizabeth Clarke. That after serving Capt. Collett for seven years, he left Quebec without paying her wages; prays for relief.	190
November 1, Quebec.	John Pagan. For leave to import merchandise from New York.	192
No date.	Charles Stewart. For licence to practise law and officiate as a public notary.	131
1781.		
January 2, Quebec.	William Gill. For payment for a storehouse.	195
January 12, St. John's.	Madame Babuty. Enclosing her account and certificate of her losses by the King's troops and the rebels. The documents relating to the claim follow.	197 198 to 202
February 20, London.	Mary Hay to the Rt. Hon. Wellbore Ellis, Secretary of State for the American Department. A long memorial respecting the imprisonment of her husband, Charles Hay, and praying for his release.	203
March 7, Montreal.	John Whaplate. Complaining of the ill treatment he had received from his late master, Lieut. Archibald McLean, of the 81th, and praying that payment of his wages be ordered.	218
March —	William Ross. For the appointment to the office left vacant by the promotion of Mr. Allgeo.	221
April 12.	A. Maria Dupuys. States her destitution in consequence of being shipwrecked and prays for His Excellency's commiseration.	223
April 19, Montreal.	Montreal merchants trading to the Grand Portage, or North-West. For leave to purchase Indian corn at Detroit, to supply the North-West trade.	226
April 21, Quebec.	John Swasy. For a licence to sell liquor.	230
April 21, Quebec.	R. Huntington and Francois Kobichaux. For the remission of their sentence for an assault on Joseph LeGris, <i>alias</i> Lepine.	232
May 23, Quebec.	George Allsopp, that the <i>droit de quint</i> on the purchase of the seigniory of Jacques Cartier be remitted, on the ground of the offices he holds.	234
July 2, Quebec.	James Sinclair. Represents that by the bursting of the drain from the market place in the upper town to the Hotel Dieu, sugar and other goods had been destroyed in his store to the value of £1,200, and prays for a remedy.	237
August, 21, Quebec.	Norman McLeod, Alexander Saunders and John Martin. Complaining that in spite of the orders prohibiting private vessels being employed on the lakes, M. Barthe has been allowed to have two, to the great detriment of the other merchants trading at Makinak and Detroit.	239
September 8, Quebec.	Aun Leamy paying that her husband, Thomas Leamy, may be admitted to the general hospital.	241
September 29, Quebec.	William Riordan, stating his loss by shipwreck. James Randles and Aubin Degouffles have taken possession of his property at Gaspé during his absence; prays for redress.	243
October 2, Quebec.	James Robins for pay and subsistence since he entered the King's service, having received only \$60 at New York for the whole period.	245
October 8, Quebec.	Margaret Waddle, widow of James Waddle, private in the 44th, for a passage to Ireland.	246
October 31, Quebec.	William Sangster, for the remission of his sentence for illicit trading.	250
December — Quebec.	Angelique, widow of Alexander McKay, pilot. For rations.	252

1781. No date.	Certificate of the loyalty of John Maclellan, and recommending him for a licence to sell liquor. Page 229 McLellan's petition. 254
1782. February 27, Quebec.	John Burke, Montreal, late attorney for the deceased Thomas Barron, and now acting for his son, proprietor of the Thiersan seigniory, on the Yamaska. For delay in taking the oath of fealty, the heir being on service at a distance. 256 George Gregor. For repayment of the <i>droit de quint</i> on his small fief outside of St. Louis Gate, owing to the damage done during the siege of Quebec in 1775. 260
March 20,	James Sutherland. For payment of his account for necessaries supplied to Burgoyne's army. 265
March 26.	Robert Stott. That the house he built at Isle aux Noix was taken for the King's service without recompense, and the hay on his farm used; asks for leave to return to his farm on the River La Colle. 267
March 26. Montreal.	François Hamelin. For a licence to practise as attorney-at-law. 268
May 29, St. Thérese.	Robert Gordon. Complaining of the violent conduct of Capt. McLean of the 84th Regiment and others, and praying for redress. The memorial gives details of the conduct of the officers complained of. 270
June 8, Quebec.	James Freeman. For a pass to go to New York for his health. 277
July 1, Quebec.	James Tanswell. Praying for a situation, or if he is to be continued as schoolmaster, for employment for his leisure hours. 278
July 4, Montreal.	John Daily. For an appointment in the commissariat, either at Michilimakinak or Oswegatchie, where there are vacancies. 281
July 11, Quebec.	—— Cameron, late private in the 84th. For relief. 282
July 23, Quebec.	Elizabeth, widow of Adjutant Fitzgerald, of the 52nd. For a commission for her son, a volunteer, who had been promised a commission by Burgoyne, previous to his capitulation. 284 Another petition to the same effect, dated 30th January, 1783. 300 (This latter petition is repeated at page 374, dated 30th January, 1784, which is probably the correct date; see also p. 378).
August 1, New-York.	Descriptive pass to John Black, seaman, employed carrying wood for His Majesty's service. 287
August 20, Grand Rustico.	Petition (signatures attached) of distressed inhabitants of Rustico, on the Island of St. John (P.E.I.) that as their crops have been nearly all destroyed by mice, they have sent John Gallong to seek provisions to support them through the winter. 288
September 21. Montreal.	Merchants of Montreal trading to Niagara and Detroit that owing to the quantity of goods still to be sent forward, they pray that the "Limnade" and "Seneca" be ordered to make a full trip with merchandise from Carleton Island to Niagara. 290
No date.	Michael Dénien. For relief 264 Mrs. Schmidt, widow of a Hessian soldier, for continuance of the rations granted to her husband. 294 John Pullman, schoolmaster. For a situation and for encouragement for a work on currency which he has prepared. 295
1783. January 5, Montreal.	Elizabeth, widow of Lieutenant Crothers. For a pension. 293
February 14, Three Rivers.	British inhabitants of Three Rivers. Applying for the Recollet Church, now used as a store for medicine, to be transferred to Rev. Mr. Veyseière for public worship. 307
February 18, Bay of Chaleurs.	Inhabitants of Bonaventure to Lieutenant Governor Cox (in French). Complaining of the conduct of the Indians towards them and praying for regulations for their intercourse. 303

1783.			
February 18, Chambly.	Fernera. Claim (in French), for anchors supplied to bateaux on the 1st of January, 1781. Recommendation for payment, dated July, 1784, is appended.		Page 359
February 27, County Gaol.	William Barding. Praying for release, he being imprisoned for selling liquor.		309
March 26, Montreal.	A second petition, dated 24th March. Merchants of Montreal. For leave to carry their goods to Niagara in their own bateaux.		311 313
April 4, Three Rivers.	Nathaniel Lloyd. For the return of papers respecting a seigniory on the River Esquimaux, on the Labrador coast, left for examination.		316
April 18, Quebec.	W. Boutillier, issuing commissary. To be reinstated in office.		318
June 15, Montreal.	Finlay Fisher. For a share of the bounty granted to schoolmasters.		330
July 14, Quebec.	James Tanswell. That his school may have the title of "His Majesty's Royal Quebec Academy."		322
July 16, Quebec.	Plato, a negro slave. For leave to join his own master.		324
July 21, Quebec.	Adam Lymburner, that J. B. Russell, captain of militia at Longueuil, should receive an allowance for his services during the late troubles.		325
July 21, Montreal.	Robert Ellice. For self and other creditors of Graverat and Viger, of Detroit. Complaining of an undue preference to Abraham Cuyler, and praying for redress.		328
July 26, Quebec.	Etienne Rioux, seignior of Trois Pistoles, and Germain Lepage, seignior of Rimouski. That in consequence of the peace, they pray for the liberation of Antoine Lepage, whose conduct they will watch.		330
July 26, Quebec.	Charles Thomas, advocate. For a commission to act as notary.		332
July 30, Quebec.	Alexander and John Fraser. For leave to bring their timber from Lake Champlain.		333
August 4, Quebec.	Barrak Hays. For a commission to act as auctioneer in Montreal.		335
August 21, Quebec.	Roger Mara. For release from gaol, to which he was sent on a charge of stealing a gallon of rum, valued at ten pence. Certificate of character.		337 339
September 25, Quebec.	Francois Levesque and Thomas Aylwin, trustees for the late John Marteilhe, for payment for oak cut and taken from Grand Isle on Lake Champlain.		340 340
October 7, Sorel.	Samuel Perry. For the arrears due to him.		341
October 9, Montreal.	George McDougall. That Hog Island (near Detroit) be restored to the heirs of the deceased Captain George McDougall. Further petition to the same effect, dated 29th July, 1784.		343 410
October 11, St. John's.	Charles Bennet and Joshua Bostwick. For leave to bring timber from Lake Champlain.		345
October 24, Quebec.	Bill on the treasury, in favour of Samuel Holland, for a year's pay as Surveyor General in 1766.		346
October 30, Sorel.	Patriok McNiff. To be put in the same position with other loyalists in regard to subsistence, &c.		347
October 30, Quebec.	Jane Crosier, widow. For rations to be continued to her and her children as during her husband's life time.		350
November 10.	James Glenny. For leave to trade with the people of Lake Champlain, so that he may recover debts due to him.		353
November 12. Quebec (?)	Stephen de Lancey. Stating his losses and applying for the usual rations and fuel from the time he landed at Quebec.		355
December 1, Quebec.	Commission appointing James Hughes to be barrack master for Montreal and Chambly.		344

1783. December 9, Quebec.	Mary Fowler, widow. For relief. Certificate of her husband's services added.	Page 357
No date.	Frederick Doiganart, soldier of the troops of Brunswick. For leave to retain his dwelling house and garden at Sorel.	360
	Eather Magan, widow. For an allowance of provisions.	362
	Nicholas Hausseger. For relief and support.	363
	Heathcote Johnston and Ann Burnett, his sister, late of Perth Amboy. For relief.	365
1784. January 10, Quebec.	Hermanus White. For the remission of his sentence for selling liquor without a licence.	368
January 14, Quebec.	George Smith, engraver at the bottom of Mountain Steet, lower town, can get no employment at his business here and reminds His Excellency of his promise of encouragement.	369
January 23, Quebec.	Jacob Kowe. For the situation of deputy barrack master, vacant by the death of Richard Murray.	372
January 29, Quebec.	Charles Thomas. For the situation of clerk of the Prerogative Court of the Province.	373
February 1, Montreal.	John Peter Gregenhai and George von Binder, two Germans. For a pass to go to Germany.	380
February 2, Quebec.	Thomas Powis, jeweller. For leave to dispose of his goods by means of a lottery.	384
February 2.	Robert Mallett. For a pass to go to Lake Champlain to cut staves.	383
February 23, Quebec.	Augustus Willing. Stating the circumstances of the suicide of his master, Lieut. Siegfried Langerjaan, and praying that Charles Thomas, notary, be appointed administrator to the estate.	385
March 5, Quebec.	Hugh Mackay. For arrears of pay as a deputy commissary and for a grant of land.	397
March 21, Quebec.	James Tanswell. Had taught school in Halifax for five years and removed to Quebec at the request of Sir Guy Carleton. His losses from bad debts and other causes. Prays for rooms for a school and for his family.	392
March 29, Quebec.	Charles Thomas. Application (in French) for naturalization, he being a German.	394
April 12, Quebec.	John Black, a negro, who served as a seaman in His Majesty's service. Praying for a passport to protect him in his liberty, of which Captain Martin, with whose wife he is now serving, seeks to deprive him.	397
April 13, Quebec.	Hector Macaulay. To be admitted barrister-at-law.	398
May 5, Detroit.	Philippe Joncaire Chabert, of Detroit. For his pay.	401
	Letter to Major Lernoult, of the same date enclosing the memorial.	400
June 1, Quebec.	Daniel and Cornelius Sullivan, under sentence of death. That their lives may be spared and they be sent to the coast of Africa.	403
	Petition in the same terms from Peter Gibb.	405
June 26, Quebec.	Hugh Finlay. For the appointment of Postmaster General for Canada, and praying for a warrant or commission.	407
July 20, Quebec.	James Glenny. For a pass to go up Lake Champlain.	412
July 30, Quebec.	Rufus Barton and Joseph Macklin. For release from gaol, they being unable to conform to the conditions of the court for securing their liberty. They promise amendment.	413
	A second petition was sent on the 9th of August.	419
August 4, Montreal.	Merchants of Montreal trading to the upper posts. For a third vessel to be continued on the lakes for the transport of merchandise.	414
August 4, Quebec.	John Halsted. That he and John Dyer Meroier had built a wharf on a lot at Cape Diamond and drawn the timber for a store in 1775, which	

1784.	latter was taken possession of by Carleton, and the wharf used since 1779 for Government purposes. Prays for possession of the wharf and for payment for the use of it and for the timber.	Page 417
August 10, Quebec.	Elizabeth McNeill, widow. For a pension for life.	421
August 14, London.	Simeon Coville. Stating his services and sufferings, and praying for the continuance of his half pay.	505
	A further letter, with details, dated 10th January, 1785, in London.	507
	Documents in support of his claim, dating from 1777, extend from	495 to 503
August 15, London.	Simeon Coville. His services; his absence on duty led to his name not being inserted in the return for the arrangements under Major Jesup. Prays to be placed on the same footing as other Provincial officers.	424
	Certificates of service annexed.	426 to 430
August 15, Oataraqui.	James Robins. For a court of inquiry into the justice of his claims.	431
	Memorial accompanying the above.	447
August 21, Sorel.	John Clair. Letter to Major Mathews (p. 433) enclosing memorial for an advance to purchase tools, his blacksmith's shop having been burned down.	434
August 23, Montreal.	Richard Pollard and Walter Mason. For permission to send boats to carry their goods from Carleton Island to Niagara, the vessels not being sufficient to transport them this season.	436
August 30, Montreal.	Richard Dobie. For payment of bills of exchange, of which a statement is made.	438
September 5, Quebec.	Rufus Barton. For his release.	450
September 15, Quebec.	John Collins. For a full pardon and his release from gaol.	452
September 24, Montreal.	Peter Lukin. For licence to practise law.	454
September 27, Quebec.	William Gibbs. For the payment of the rent of his store used by Major Gamble for His Majesty's service.	457
September—St. John's.	Madame Babuty. To have her property restored to her.	460
October 4, Montreal.	North-West Company. Stating the work of surveying they had undertaken to discover new means of communication, and to explore the country west of the Hudson's Bay to the North Pacific Ocean, the results to be laid before Government, and praying for the exclusive use of the passage they may discover, and to refuse passes for the Grand Portage, &c.	462
	A letter of the same date accompanies the memorial, giving an account of the progress of the fur trade since the conquest of Canada; the present mode of carrying on the business, &c.	467
	Another letter of the same date from Benjamin Frobisher, on behalf of the North-West Company. Asking for facilities in the transport of provisions, and repeating the request for exclusive right to trade.	478
October 5, Quebec.	Elizabeth White, widow of a pilot. For relief.	483
October 6, Bay of Quinté.	Peter Vanalstine. For a grant of seed wheat to the settlers.	485
October 22, Quebec.	Thomas Ainslie. For the appointment of a legal adviser for Custom house cases.	486
October—Montreal.	Edward King. To be sent to Cape Breton as a loyalist.	487

1784. No date.	British Militia (loyalists) at St. John's. That they had given up every thing in the Colonies and are now worn out; praying for consideration.	Page 399
	James Robin. For a court of inquiry as to the justice of his claim for pay.	489
	Laurent l'Emelin, pilot (in French). For the grant of a small sloop.	492
	Certificates of his services, dated 27th September, 1781.	456
	Edward Man, Patrick Farrell and Alexander Cosgrove, prisoners. For their liberation and to be allowed to leave the Province.	494
1785. March 12, London.	Peter Fraser, late of Quebec. His services; prays for compensation for the loss of his vessels employed by the naval officers.	511
	A letter of same date to Mathews, forwarding the petition and enclosing a detailed statement of his services.	514
	Statement enclosed.	515
No date.	George Geddes, lieutenant of the Percé militia. His losses and the expenses he incurred feeding prisoners &c.; prays for an allowance.	517
	Elizabeth, wife of John Lafontaine, and widow of the late Samuel Morin. For relief.	518
	British inhabitants of Montreal. Recommending the appointment of the Rev. John Doty to take charge of a school in Montreal.	519
	Daniel Morrison, surgeon. Stating his services in the army since 1746, and praying for some marks of His Excellency's favour.	521
	John Hill, late soldier in the 10th Regiment. For employment.	523
	John Burke, clerk of the peace, Montreal. That he be allowed fees in prosecutions conducted by him.	526
	Another memorial (also undated). For leave to go to Europe and to be allowed to appoint a deputy during his absence.	529
	M. Seers, butcher, Montreal, and others. Stating their sufferings; they have not received from Bellestre the clothing ordered, either when prisoners at Albany or since their return, and pray for redress.	531
	Malcolm Fraser, merchant at Three Rivers. Complains of his treatment by Colonel Barner's troops, who have violently taken possession of his house and robbed him. Can get no relief from Colonel Barner; prays for redress.	534
	Davison and Lees. For payment of bill drawn in their favour by Lieut. Governor Patrick Sinclair, of Michillimakinak.	536
	David Allgeo. To be appointed superintendent of pilots.	539
	James Robins, loyalist. For his back pay.	541
	The Rector, churchwardens and principal Protestant inhabitants of Montreal. That the burial ground near the powder magazine will admit of no more graves being made there, and pray for a piece of ground near the Recollet gate for that purpose.	546
	Shoolbred and Barolay. That the seamen of their vessels have been pressed by Captain Douglas; pray for relief.	518
	Inhabitants of Caldwell's Manor. For relief.	550

MEMORIALS FROM FRENCH INHABITANTS OF CANADA.

1778-1784.

B. 218.

B.M. 21878.

1778.
March 15,
Albany.

Michel Delisle, prisoner with the rebels, to his wife. Regrets the separation; hopes for speedy release and expresses submission to the will of Heaven. The great kindness shown to the prisoners by Madame Corry and by Mlle. Jonquière, who carries this, and to whom 84 livres are to be repaid. Sends remembrances to the curé and other friends. 1

1778.			
March 15,	Pierre Beauchemin, prisoner with the rebels, to his wife. Similar to the letter from Delisle.		Page 4.
Albany.			
July 2,	Count St. Aulaire. His disappointment at not receiving the commission promised by Lord Weymouth; the loss of all his property by the capture of his servant; asks that effect be given to the recommendation of Lord Weymouth.		6.
Quebec.			
July 13.	Petition, for their pay, of pilots ordered to Bic.		8
July 20,	Petition of Pierre LeRoy, for leave to rebuild part of his house at St. Roch.		10
Quebec.			
August 7,	Marie Louise Alavoine. To be exempted from billeting troops.		12
Three Rivers.	Another petition of same date and to the same effect, from Marguerite Baudry, widow Pillard.		14
August 9,	De Musseau. Stating his advanced age and impoverished state, and praying for consideration.		16
Sault St. Louis.			
August 10.	Louis Migneau. For indemnification for losses he sustained when a prisoner.		17
August 11,	Louis Chabot, a captain of militia of the parish of St. Antoine, on the Richelieu. To be continued in the service.		19
Montreal.			
August 11,	Louis Tinnu, a captain of militia of Mascouche. For the bounty granted by Sir Guy Carleton.		21
Montreal.			
August 11,	François Duverger. Stating the amount of loss he had sustained at the hands of the rebels, and praying for an allowance.		35
Montreal.			
August 16.	Charles Rousseau. For back pay and to be appointed assistant commissary, or given some other employment.		24
August 17,	François Consigny. For indemnification for the losses he suffered at the hands of the Indians.		26
Montreal.			
August 18,	Statement of losses appended.		28
Montreal.	Louis Dreuville. That keepers of canteens and tavern keepers in the parishes of Laprairie are selling liquor during divine service on Sundays and holidays, and praying that the practice be put a stop to.		29
	Report of Hertel de Rouville. Stating what specific information should be given by Captain Dreuville before steps can be taken to stop the sale of liquor he complains of (dated 19th August).		31
August 19,	François Loiseau. For an allowance in consideration of his services, sufferings and losses.		32
Montreal.			
August 25.	Widow Desautier. For relief.		37
August 26.	Duplessis Fabre. For relief.		38
August 26,	François Decoigne. Congratulating Haldimand on his appointment to the command of the Province.		42
Repentigny.			
August—	Catharine Honoré (Widow Kin). For relief on account of her late husband's services.		40
September 3,	J. B. Bouchette. For leave to come to Quebec on family affairs.		44
Ile au Chevreuil.			
September 6,	Joseph Adam. Complaining that M. Tonnancour gives exemption from corvée to several rich inhabitants.		
Machiche.			
September 13,	Louis Roy to his father and mother. Sends this by Mrs. Cooper, who has lent him 42 livres, which he asks them to repay. Her kindness to him and other prisoners.		48
Boston.			
September 30,	Pierre Richaldair. For employment as pilot.		49
Quebec.			
September—	Marie Anne Dumas, widow of Germain Lespérance. For indemnity for her land on which the blockhouses at Sorel are built.		51
Sorel.			
October 12,	Congratulations by the inhabitants to Haldimand on his succession to the government of the Province.		53
Lachaplay.			

- 1778.
- October 14, Montreal. Mrs. Mayrant. For leave to take a canoe load of merchandise to Oatarqui for purposes of trade, the goods in the two canoes taken up by her husband not having been taken to Detroit, owing to the vessels being employed in carrying the King's goods, so that by the loss of the sales she and her family would be exposed to great hardship during the approaching winter, if the permission asked for is not granted. Page 54
- October 19. François Lavanture, postmaster at New York, parish of St. Outhbert. For a positive order not to use the old post road, and especially an order directed to Louis Belair, postmaster at Maskinongé, who makes his postilions take the old road contrary to the regulations. 56
- October 26, Mascouche. Captains of militia. That the Chasseurs may be transferred to some of the neighbouring parishes. 58
- October 29, Lachine. Widow Lorimier. For relief. 60
- October 30, Québec. J. B. Badeau, notary of Three Rivers. That the minutes of Maître Dielle may be deposited with him. (See p. 139). 62
- October 30, Québec. Joseph Duval, clerk of the market. That the people can purchase no flour on the market, as the flour millers send through the country purchasing it, and prays for a remedy. 64
- November 3, Québec. Adjutant Ginié of the three Canadian companies. For additional pay. 65
- November 6, Chambly. Mrs. Joncaire Cooper. For rations. 68
- November 19, Steanour. The wife of Hyacinthe Godefroy de Linetot. For delay in taking the oath of fealty till her husband's arrival. 70
- November 28, Québec. Widow Demouchel. For an asylum at the general hospital. 72
- November 30, Montreal. Jacques Jorand. Applying for a commission as notary. 73
- Letter to L. Genevay, secretary, of same date, enclosing the petition. 76
- December 10, Québec. Berthelot Bartigny, applying on behalf of Louis Belair, postmaster, for an order to travellers to take the road prescribed by the ordinance of last October. 78
- December 20. Report of the damage done to the house of Charles Matthieu at Terrebonne, occupied as a hospital by the troops. The report was attested on the 20th May, 1779. 80
- See also 148
- No date. Louis Tinus and other volunteers. For clothing, &c., which should have been furnished them by Mr. Belestre by order of Sir Guy Carleton. 86
- Charles Maillet, of Three Rivers, formerly receiver of the domains of the King of France. For relief and employment. 88
- Marguerite Pilley, widow of Pierre de Goline. Praying for exemption from corvée and from billeting troops, and offering four sons for the King's service. (Enclosed is an order, dated 4th December, 1776, exempting her from both obligations.) 90
- Louis Decoignemard. To be continued as commissary of loyalists. (In other documents he is called Decoigne). 92
- Joseph Despin. For him and his son to be exempted from corvée. 94
- From officers of militia at Sorel. Praying that on account of their advanced age they be no longer employed. 96
- De Salaberry. For promotion. 97
- Tôseph Desbarats, River du Loup. For leave to go to trade with the Tête de Boule Indians. 100
- 1779.
- January 7, Charles Etienne le Testu, physician. For exemption from billeting troops. 101
- January 2, Marguerite Belcourt de la Fontaine. For the means to educate her son, child of Captain Pettigrew, of the 10th Regiment. 104

1779.	J. B. Pichet. That besides the lodgings he has provided for an officer and servants billeted on him, he has been ordered to give up a room for an office for transacting business, and prays for relief.	Page 106
January 6,	Pascal Pillet, senior. For rent for his storehouses, &c., at Lachine.	109
Rivière du Loup (en haut)	Chevalier Lorimier. Stating his services, and praying for promotion.	111
January 12.	Joseph Gabrion, schoolmaster at Pointe Claire. For commission to practise as a notary at Soulanges. (Certificates follow to page 119).	116
January 19.	A petition of same date from the present notary, praying for the appointment of Gabrion as his successor.	120
January 20.	Nicolas Charles Louis Levesque. Praying to be reinstated in his office of notary, of which he had been deprived on malicious charges.	122
January 21, Quebec.	Julien LeBlanc, captain of militia of St. Martin. Complaining of the conduct of officers of Captain Shoel's Company, who not only refused redress but even threatened him Prays for redress.	125
February 8, Montreal.	See also	200
February 10.	Amable and Pierre de Sicard. Stating their services and praying for an allowance.	127
	Certificate from Samuel Holland.	129
	Certificate from Lieutenant Clignancourt and Ensign de Bleury.	130
February 23, Quebec.	Amable du Rocher. To be admitted to take the oath of fealty on the purchase of half of the Island of Orleans.	131
February 24.	Louis Joseph Soupras, notary. For leave to remove to Montreal to practise his profession.	133
February —	The inhabitants of Nouvelle Acadie, parish of St. Jacques. For exemption from corvée, whilst they are clearing their lands.	135
February — St. Foye.	André Moffat. For rations for the child of a soldier named McDonald, of the 84th.	137
March 6, Three Rivers.	J. B. Badeaux, notary. That the minutes of the late Notary Dielle be sent to him as they are (see p. 62).	139
March 15, Boucherville.	Antoine Belcour de la Fontaine. For a warrant for his pay as a lieutenant.	141
April 1, St. John's.	Joachim Primo and Joseph Boivin. For leave to rebuild their houses.	143
May 18, Montreal.	George Brookhoff. A discharged soldier, for a licence to sell liquor.	146
May 21, Quebec.	Certificate of character.	145
June 22,	Manon Brousgue, Widow Bondfield. Praying that the lot of land taken by Captain Marr for the King's service be restored to her.	151
June 25, Quebec.	Antoine Juchereau Duchesnay. For leave to build, at his own expense, a bridge over Cap Rouge River.	153
July 6, Isled'Orléans.	Jacques Colin. For commission to practise as a notary at River Ouelle.	159
July 21, Quebec.	Widow Lafèche. For relief.	160
July 22.	Pierre Moreau. For the remission of a fine of \$30, for striking a man whom he caught shooting over his land.	162
July 29.	Mrs. Galarneau. For relief, the schooner containing goods sent by her husband for her support having been captured.	165
August 2.	Certificate by Joseph Colard, under whose orders Galarneau was serving.	164
August 12, Quebec.	Widow Hébert Couillard. For exemption of her servant man from corvée.	167
	Anne Angelique Degoutin, daughter of the late Mr. Degoutin, formerly councillor at Louisbourg. For an additional allowance.	168
	François Dominique Rousseau. For commission to practise as a notary in Quebec, with certificates.	169

1779.		
August 21, Repentigny.	Madame Decoigne, widow Evans. For relief.	Page 172
August 28.	Wife of François Thibaud. For relief, her husband being either killed or a prisoner with the rebels.	184
	Certificate of her case.	181
September 4, Quebec.	Joseph Rocheleau, postmaster. For exemption from corvée.	173
September 27, St. François.	St. Martin. To be exempt from billeting soldiers.	175
October 13.	Marguerite Charland, wife of a pilot. Prays for subsistence whilst her husband is employed.	176
	Certificate that Charland was taken to London in the ship "Quebec," and is now employed as a pilot.	178
October 14.	François Paget. For an allowance for saving at Percé two cannons from the rebels.	179
October 30, Quebec.	Marguerite Baudry, widow of Louis Pillard, notary. For relief.	185
November 2, Jeune Lorette.	Père Girault. Stating that the eight Indians, newly returned, were to receive presents, besides the four dollars each was to be paid for his services.	187
November 19, Montreal.	Paul Duverger. For an allowance, in addition to his pay in the Indian Department.	159
November 28.	Joseph Duquet. For payment of articles supplied to the Indians in 1775.	192
December 12, Montreal.	Jacques Dufaut, notary. For a notary's commission for his son.	194
	Certificate annexed.	196
No date.	Joseph Duprés. For a licence to sell liquor.	158
	Certificate of character.	156
	Etienne Deschambault. Stating his losses, &c.	197
	Instructions to the judges for the district of Quebec, to ascertain the names, &c., of the habitants who are with the rebels.	199
1780.		
January 12.	Angelique Godefroy, wife of Louis Delaronde, of the Indian Department. That her husband has been missing since the action of the 19th September, 1777, and supposed to be taken prisoner. That it being now believed he has been killed, the pay continued to her till now has been stopped; prays for relief.	202
January 15.	The postmasters on the road between Quebec and Montreal. For an additional allowance.	205
January 18, Quebec.	Pierre Voyer, postmaster at Ancienne Lorette. Complaining of Augustin Gingras, postmaster at St. Augustin; praying that he may not be permitted to carry passengers except through Lorette.	207
January 19, Quebec.	Widow Bondfield. For leave to sell her lot of land now occupied for the King's service.	219
January 24, Montreal.	DeBonne. For a commission to practise as a notary.	209
January — Longueuil.	Amable Laliberté. For redress for wrongs committed by the commanding officer of the Chasseurs and others.	210
February 6. St. François.	Père Bedard. Giving an account of provisions left at St. Vallier and asking that they may be distributed among the poor.	213
February 7, Berthier.	J. B. Beauparlane. For passes to send canoes with goods for the Sioux.	215
February 10, Three Rivers.	Louis Pillard. Praying to succeed his father as a notary.	217
February 21, St. François.	Crevier, captain of militia. That the militia of St. François be free from corvée.	221
March 1, Cap Santé.	The captain of militia. Recommending a poor man and his wife to the general's charity.	222

1790.	DeBonne. Thanks for having received licence to practise.	Page 223
March 16, Montreal.	Notaries of Quebec. To be maintained in their prerogatives and honours.	224
March 28, Quebec.	A similar petition from the notaries of Montreal, dated 2nd April.	231
April 19, Ancienne Lorette.	Marie Riverin. For assistance; complaining of the hard conduct of M. Badelant towards her mother and herself.	234
April 20, Three Rivers.	Le Chevalier de Niverville. To be authorized to receive the <i>lods et ventes</i> .	237
April 25, Three Rivers.	Madame Montisambert. For a commission for her son.	239
April —	Joseph Martel, ferryman at St. Charles. For payment for ferrying over the troops.	241
May 3.	Alexander Serrés, a French surgeon. For employment in the service.	242
May 5, Boucherville.	Belcour de la Fontaine. For employment.	244
May 25, St. François.	G. Morraut, captain of militia. Praying for an indemnity for loss of employment by holding himself in readiness to be sent on service.	247
May 30, Repentigny.	Widow Evans. Thanks for allowance of provisions.	248
June 11, Pointe à l'Aïre.	Joseph Gabrion. That his commission of notary may be sent him.	249
June 14.	François Dominique Rousseau. That an officer who is wrongfully keeping possession of his house at Varennes be ordered to leave it.	253
June 15, Machiche.	Catherine Gerbeau, wife of François LeMaitre Duème. For redress for wrongs done by Colonel Gugy.	255
June 15, Quebec.	Joseph Brisebois, of Yamaska. To be appointed notary there.	258
June 16, Quebec.	Charles Matthieu. For compensation for his house at Terrebonne, taken for a hospital.	259
June 26, Montreal.	Widow of Pierre Hertel de Beaubassin. For subsistence.	262
	Another petition dated 14th December, calling attention to the preceding and giving a chronological statement of her late husband's services.	289
June 29, Montreal.	Clement Sabrevoiy de Bleury, <i>filis</i> . His services and sufferings; praying for compensation.	264
August 1.	Barthelemy Faribault. Complaining of exactions by Captain Olivier in billeting men, from which he is legally exempt, and praying that he may be stopped from so doing.	266
August 30, Quebec.	Yves Chiquet. To be maintained in his rank of lieutenant commander in the navy.	272
September 21, Quebec.	Charles Riverin. To be appointed notary in the Province.	274
October 1, Bécancour.	Widow Arsenau. For relief; with certificates from M. Dubois, curé and G. de Tonnancour.	277
October 1, Lachine.	Jean Roy. For indemnification for his land taken possession of by the Indians.	282
November 2, Longueuil.	Jean Baptiste Roussel. That his resignation of his commission of captain of militia be accepted.	280
November 13, Quebec.	Adjutant Ginié. Praying for assistance, his pay being insufficient for the support of his family.	285
November 29, Quebec.	Widow Corbin. For relief.	287
December 28, Quebec.	Le Comte Duprès. For allowance as a colonel of militia.	292
No date.	Joseph Stausfield (Three Rivers). That the cutting of wood on his land may be stopped.	270

No date.

Etienne Gagnez and Monique Belanger. For permission to marry.

Page 294

St. Aubin, notary. Praying that he may have a commission to practise as a notary from Cap St. Ignace to Rivière du Loup. 296.

Louis Miray, notary. Complaining of his illegal arrest by Jean Garneau, lieutenant of militia at Beauport, and praying for redress. 298

MEMORIAL FROM FRENCH INHABITANTS OF CANADA.

1778-1784.—VOL. II.

B. 919.

B. M., 21,879.

1780.
July 8,
St. Thomas. Estimate of damage to a house belonging to Mrs. Macarty. 241
1781.
January 6,
Montreal. Widow Dubuisson Dagworthy. That taking advantage of her late husband's weakness of mind, his family induced him to make a will by which she is left with an insufficient allowance; prays for His Excellency's protection. 1
- January 15,
Montreal. Widow Duverger. For relief. 3
- January 26,
Verennes. Robert Lamorandière. For a military or civil appointment. 5
- January 31,
Montreal. Jean Bernard. For delay in the payment of the *droit de quint* on the purchase of the seignioriy of LaSalle. 6
- February 20,
Quebec. J. Marcou. Offering his services to supply Government with wheat. 8
- March 7,
Montreal. Sister St. Ignace. Sends the thanks of the nuns of the Congregation of Montreal to Haldimand for his liberality towards them. 9
- March 17,
Quebec. Louise Laperade, wife of François Roy. Stating her husband's services and praying for the gratuity usual in such cases. 11
- April 16,
Quebec. C. Mither Fortier. Stating his losses and asking for employment. 13
- May 15,
Quebec. André Drapeau. For leave to trade in furs at Rimouski. 16
- May 18.
May 19. LeMoine, junior. For employment. 10
- Jacques, Charles and François Houde dit des Ruisseaux. For a reprieve to Joseph Houde, sentenced to death for theft. 18
- Louis Marchand. Offering his services in procuring wheat, &c. 20
- June 1,
Quebec. La Lecomte is old, poor and ill, and asks to be admitted to the hospital. 22
- June 13,
Quebec. J. B. Magnan. Reports that he has been unable to bring to an agreement the parties interested in the new road from Three Rivers to Pointe du Lac; prays that disinterested persons be sent to settle the question. 23
- July 8,
Quebec. Madame Beaubassin. Calling attention to a previous petition. 26
- July 25,
Montreal. Joseph de Longueuil, seignior of Soulanges, &c. Represents the damage to his property caused by the removal of timber and firewood for the King's service, of which he does not complain, but he understands that an island on the lake is to be taken possession of without consulting him, as if it were not his property, and asks for redress. A report from Twiss states that in the primitive title to Soulanges a reserve was mentioned of six arpents, in the most suitable place for building a fort for the King's service, which formed no part of the concession, and that this clause was repeated in the title to the concession extending the land to the Pointe au Baudet. 27

1781.			
August 8.	Josephthe Allegrain Vezina. That her father may be admitted to the general hospital.		Page 30
August 10, Quebec.	Proprietors and masters of vessels trading on the St. Lawrence. For leave to increase the rate of freight.		33
September 21, Quebec.	Postmasters of the District of Quebec. For an allowance of two shillings a leagu.		34
October 14.	Marie Anne, wife of François Sauvageau. For relief.		35
October 28, Montreal.	Widow Hertel. For a pension.		38
	Another petition to the same effect, dated 27th January, 1782.		48
November 26, Three Rivers.	Alexander Serrés, surgeon. To be exempted from billeting soldiers.		39
December 14. Three Rivers.	Widow Chastelain. For relief.		43
No date.	J. B. Magnan. To be appointed commissioner of the peace.		43
1782.	Marianne Chalon, widow of a pilot. For relief.		45
January 6, Montreal.	Widow Duverger. For relief.		47
February 12, Quebec.	Marie Louise Amelot, wife of Michel Laline. With an account of the manner in which the property of her father was left, and praying for justice.		49
February 17, Quebec.	Marianne LeVitré, widow Corbin. For relief. (See also p. 97.)		55
February 26, Isle Jésus.	Joseph Augustin Chattelin, junior. To be appointed notary.		57
March 2, St. Charles.	Dominique Mondelet. That obstacles having arisen to prevent his appointment to the office of notary at St. Charles, &c., prays for a commission for the district of Montreal.		59
March 13, Boucherville.	Widow LaFontaine Belcour. For an answer to her petition.		61
No date.	François Suzor. Praying to be admitted as a loyal subject, and to be allowed to remain in the province on taking the oath of fidelity		62
	A similar petition on the 28th July, in which the name is given as François Suzor de Bièvre.		71
May 29.	Joseph Vigneau. To be made a surveyor.		64
July 18, Montreal.	Pierre Fortier, of the firm of Fortier and Orillat. Memorial respecting powder stored in the magazine, for which he asks a settlement.		65
	Statements, receipts, &c., follow.		66 to 70
August 17, Montreal.	Desrivieres Beaubien. For liberty to carry some rum to the upper country.		72
August 18.	Joseph Vignau. To receive licence to practise as an attorney.		74
September 13.	Pierre Leclair. Praying to be continued on full pay.		76
October 10, Yamaaka.	Joseph Torelle dit Lefrenier, Yamaska. Respecting wood taken from his land, and praying for compensation. Report from Twiss appended.		77
November 2, Quebec.	Philippe Rocheblave. Respecting bills drawn from Michillimakinak for goods furnished, and now protested.		80
November 8, Yamachiche.	Dumas, having purchased Duaimé's mill, prays that he may be allowed to repair the banks of the channel leading the water to the mill.		84
November 11, Cap Santé.	The inhabitants. Stating their situation for want of a road and praying that one be laid out.		86
No date.	Fouchet. That his daughter has been seduced by one Montour, clerk to Frobisher, and praying that Montour be ordered to marry his daughter.		87
November 15, St. Maurice Forges.	A. Dumas. For an extension of his lease.		89
December 15.	Widow Corbin. For relief.		91

1782.			
December 16.	Joseph LeRoux.	That his wife has become insane, and praying that she be admitted to the general hospital.	93
No date.	Joseph Biron, trader at St. Regis.	For liberty to go to Toronto.	95
December 30, Rimouski.	Captain of Militia.	For orders to be issued for the regulation of the inhabitants, as they say he issues orders out of his own head.	96
No date.	Pierre Leclair, pilot.	For his full pay, from which a deduction has been made.	99
	Captains of militia of St. Louis de Lotbinière. Calling attention to the necessity for having a bridge constructed to cross the river; that for carrying passengers across, they had agreed to exempt the two inhabitants living next the river from billeting but this had been disregarded by the officers commanding the troops, and praying for redress.		100
	The superior of the Sisters of Charity. For an allowance for the children in the general hospital.		103
1783.			
February 12, Quebec.	Madame Dalbergati.	Praying for indemnification for being deprived of the use of the Island of Bic, part of her seigniory.	105
February 24, Three Rivers.	Inhabitants of Three Rivers.	For land on which to build a presbytery.	108
March 1, Grondines.	The inhabitants of Grondines.	For relief, having lost all their crops by frost.	110
May 19, St. John's.		Certificate and pass to M. LaTerrière to return to Canada.	112
May 31, Montreal.	Baptiste Choisier, of Illinois.	For a pass to rejoin his family.	117
May 26, Niagara.	Pierre Mezières, junior, a reduced officer in the Indian Department.	For an allowance or employment.	119
May 29, Montreal.	Josetta Waden, widow of Jean Étienne Waden, murdered in the upper country, by one Peter Pond, a trader, and one Toussaint le Sieur, Waden's clerk.	Praying that these two be taken into custody.	123
		Deposition of Joseph Sagnant enclosed.	113
		The petition and deposition enclosed in a letter from Allan Morrison.	125
June 30, On board of the <i>Peggy</i> .	Pierre la Terrière.	For permission to return to the Province, which he had been allowed to leave on condition of not returning during the war.	127
		Enclosed in a letter to the secretary.	126
June 24, Quebec.	J. B. LeBrun and others.	Informing His Excellency of a rape committed by several soldiers of the garrison and praying for redress.	129
July 1, St. Denis.	Rev. F. Cherrier, curé of St. Denis and LaBruère Montarville.	Representing that the parishioners had been ordered to build a bridge out of their limits on a stream over which they have already built two bridges and asking His Excellency's orders.	132
July 31, Quebec.	Edward Victor de Kœnig.	For employment.	135
August 24, Quebec.	Pierre Michel Fortier, formerly in the Provincial Naval service.	For employment.	136
August — Quebec.	Louis Fromanteau, formerly commissary in Burgoyne's army.	For the office of clerk of the Court of Common Pleas.	138
No date.	Joseph Gabrion, notary at Soulanges.	To prohibit Soupras, notary, from passing acts, &c., within his district.	140
September 20, Quebec.	Marie Anne Bellefontaine, widow of J. B. Challon, pilot.	For the benefits to which her husband was entitled from his services.	104
September 23, St. Henry.	Joseph Guay.	For the remission of a fine imposed on him for selling liquor.	147
September 23, Quebec.	Jacques Colin, notary.	For an increase to the extent of his notarial district.	149

1783.	Madame Dalbergati. Further respecting the Island of Bic. Page 151	
October 18, Quebec.	Inhabitants of Charlesbourg to have Nicolas Charles Daulnay appointed notary.	152
—	The inhabitants of St. Nicolas complain of ill-treatment from Major Pausch, of the Heese Hanau Artillery.	153
November 8, St. Nicolas.	Widow Corbin. For assistance for the present year.	155
November 25.	Joseph Jerome Bedard. For the indulgence of delay in the repayment of £100 to Mr. Day, in consequence of the loss of his vessel.	156
December 5, Quebec.	Charles Liard. To be continued as guardian of the bateaux.	160
December 22, Quebec.	Pierre Ponconneau. For a court of inquiry into charges against him.	162
1784.	Division of labours on the bridge over the Jacques Cartier River.	166
January 19, Quebec.	Recollets. For assistance in consequence of the damage sustained by their buildings.	162
January 24, Quebec.	Michel Bergan. For the remission of penalty for selling liquor.	170
February 10. St. Nicolas.	Inhabitants of Lotbinière. For the appointment of Joseph Cadet to be notary.	172
February 18, Lotbinière.	Another petition from St. Antoine in favour of M. Cadet.	174
	One from St. Jean Deschailons for the same.	176
	See also	192
February 19, Quebec.	Widow of Alexis Jean. For relief.	178
March 15.	Joseph Cadet. To be appointed notary.	179
	The petition presented by Antoine Hamel, captain of militia.	183
March 17, St. John's.	Madame Babuty. For leave to improve her farm and erect buildings.	184
March 22, St. John's.	Joseph Cret, a French barber. For leave to build a wall on the Cape to prevent damage by the spring rains.	186
March 22, Quebec.	Inhabitants of Pointe aux Trembles. To be joined to neighbouring parishes for the construction of a bridge over the Jacques Cartier River.	188
May 10, Quebec.	Madame Dalbergati. For rent for the Island of Bic.	193
May 28, Detroit.	Guillaume Monforton. Stating his situation and praying for His Excellency's protection.	195
	A letter of the same date to Lieut. Governor Hamilton, respecting his painful situation.	197
June 1, Quebec.	French advocates of Quebec. Respecting the efficacy of their old commissions so as to establish their seniority over the younger advocates.	200
June 2.	Amable Casalet, tobaccoist. That a man named Finlay has abducted his wife, and carried off clothes, &c. and the magistrates of Montreal refuse to grant him a warrant.	204
June 12, Chambly.	Inhabitants on the Chambly. For the appointment of de Suzor to the office of Notary.	206
June 21, Montreal.	Montigny Louvigné. That it is too late to go to the upper country, prays for leave to go to Lachemaye.	208
July 2.	Ignace Crepeau. For compensation for lumber and damage to his land.	209
July 26, Three Rivers.	Louis Pillard, to be admitted to the notariat at Three Rivers. (Certificates follow).	211
August 30, Montreal.	Desrivieres Beaubien. For a pass to trade on the Lièvre.	214
No date	F. J. Cugnet. That his son may succeed to the offices he (the father) now holds.	216

1784.
October 7,
Montreal.

No date.

- Widow St. Luc. Has lost everything in losing her husband; her new grief at the departure of Haldimand. Sends a memorial to the King which she prays His Excellency to support with his influence. Page 218
- Philippe Rocheblave. That his services may be recommended to the consideration of the ministry. 220
- A. Dumas. To be admitted to the profession of advocate. 223
- Pierre Gamelin to Lord Sydney. Stating his military services and praying for half pay. 225
- Joseph Cadet. Setting forth his distress and praying to be admitted to the office of notary. 221
- Recommendations in his favour by the priest and inhabitants of St. Nicolas. 228
- Followed by another memorial, undated, from Cadet. 230
- Baptiste Magnan, grand voyer. For an allowance for travelling expenses. 232
- Louis Picard, junior. For a licence to sell liquor. 234
- The captain of militia and inhabitants of Contrecoeur. Praying that a road from St. Antoine to Contrecoeur, granted by General Gage, be confirmed. 237
- Allan McDonell. His services; prays for an appointment in the commissariat. 239
- Charles Fieshbach. The services rendered by himself and his son; prays for additional pay. 243
- Madame Bonfield. Respecting land near St. Louis Gate belonging to her and taken for the King's service. 245
- Joseph Dufaut, junior. To be appointed notary at Rivière du Chêne. 247
- Joseph Bonnet. To be appointed branch pilot. 248
- The captains of militia of Cap Santé and Deschambault. For the appointment of a notary for their parishes. 250
- Jean Deronce, pilot. That he be not punished for the misfortune of wrecking a ship under his charge, as it was an accident he could neither prevent nor foresee. 252
- Jean Brouilleaune dit le Suisse. To know if he is to be continued as a pilot. 254
- Agathe de Longueuil widow of Louis de Verchères. That the Indian who murdered her husband be brought to justice (a note says that this petition was addressed to Sir Guy Carleton.) 256
- J. B. Boucher de Niverville, Seigneur of Chambly. For redress against Major Hoyes. 260
- Barthelemy Faribault, notary at Berthier. That his notariat may be extended over the Province. 263
- Etienne Sameon, Point Levi. For indemnification for the occupation of his land by the King's timber. 265
- Louis Tinnus. His services and losses; prays for consideration. 267
- Nicolas Davis, messenger. To be continued in his employment. 271
- Joseph Lazard, native of Aix, in Provence, a baker. For permission to follow his business. 272
- Mathurin Bouvet, notary at Varennes. That his notariat may extend over the district of Montreal. 274
- Joseph Desjalais, lieutenant of militia at St. Ours, now of Rivière du Loup. To be appointed major of two companies of militia. 276
- Françoise Decarrière. For assistance. 279
- Dominique Mondelet. To be reinstated in the office of notary. 281
- The captains of militia of St. Thomas. For some allowance in consideration of their continual attendance. 283

No date.	Joseph Cadet and Joseph Berry. To be exempted from billeting soldiers.	285
	André Guay. For an allowance for his services.	288
	Alexandre Picard, silversmith. That he may have the privilege of supplying the silverware wanted for the Indians.	290
	Marie Anne Silvestre. For subsistence.	291
	Jean Louis Allegrain. For a situation in the general hospital.	292
	Grégoire Huc dit Coutellier. His losses; has been imprisoned for debt and prays to be liberated on furnishing security.	294
	Jean Schindler, a furrier. Praying for employment.	298
	François Malherbe dit Champagne. For a licence to sell liquor, at Sorel.	299
	Captains of militia and churchwardens of St. Roch. That their parish be maintained in its original limits.	301
	Jean Marie Rouillet du Chatellier, notary of Isle Jésus. To be reinstated in his notariat.	304
	Agnes Dupont. For relief.	307
	Joseph Lussier. To be ferryman at Maskinongé.	308
	Postmasters of Machiche and Rivière du Loup, for their assistants to be free from corvée.	310
	Jean Martel. To be paid for ferrying troops.	312
	André Leblanc, l'Islette. For relief.	313
	Joseph Sanguinet, Montreal. To be appointed notary and advocate	319
	Joseph Dufour. For indemnification for enforced idleness, awaiting orders for service.	321
	Joseph Lemoine Despins, junior. To be appointed notary.	323
	The postmasters between Quebec and Montreal. For regulations for the posting service, so as to enable them to carry on the duties properly.	323
	Madame Dalbergati. For indemnification for wood cut and taken from the Island of Bic.	326
	Wife of Menagé, a baker, who has been absent for two years. Praying that the board of one Million, a lunatic, which she has paid at the general hospital, may be refunded and the charge of Million be assumed by Government.	328
	Marianne Chalon, wife of a pilot. For subsistence.	329
	Joseph Royer, captain of militia, St. Charles. For a grant of seed wheat.	331
	Marianne, wife of François Sauvageau, pilot. For her husband's wages	333
	Widow Laplante. For charity.	335
	Michel Marchand, tailor. For relief.	337
	Misses Lafleur. Respecting the damage they have sustained by the burning of their house.	338
	Madame Babuty. For a house at St. John's.	339

SPEECHES IN THE LEGISLATIVE COUNCIL, &c.—1779-1784.

B. 220.

B. M. 21,880.

1778.
No date.

Addressed to Haldimand by the British subjects, gentlemen, merchants and citizens of Quebec, professing their gratification at his arrival in succession to Carleton. (There is no date, but the contents of the address show it to have been presented shortly after Haldimand's arrival.)

62

1778.	A similar (but much shorter) address from the merchants of Montréal is dated the 6th of July, 1778.	Page 64
	A very short address in French, dated at Montreal, 9th July.	66
	Reply to Montreal address in English, 12th July, and in French, 13th July.	68-69
	Address by loyalists from Albany, undated.	70
July —	Replies (in English) to the Quebec address.	73
July 17, Three Rivers.	The inhabitants of Three Rivers. Praying for the establishment of suitable courts of law in the district.	74
	The reply is, that so far as depends on him (Haldimand) everything would be done for their advantage. (There is no date on the address, the reply is dated 17th July.)	78
July 20, Quebec.	Address (in French) from citizens of Quebec. Congratulating Haldimand on his safe arrival, &c.	79
	Reply by Haldimand, of same date.	82
	Another copy of the address, with the signatures.	84
1779. January 11, Quebec.	Replies dated in August to addresses.	88-89
	Haldimand's speech to the Legislative Council (in French, p. 6; in English, p. 7), the Council's address (in English, pp. 2 and 8; in French, p. 4) and Haldimand's answer (p. 9).	2 to 9
1780. January 19.	Address in reply to the Governor's speech.	19-21
	The answer to the address.	23
January 27.	Speech at the opening of the Legislative Council (French and English).	12, 14
April 4, Quebec.	Message recommending amendments to the Act respecting forestallers &c. (English and French).	10, 11
April 4, Quebec.	Message respecting forestallers, &c.	16
1781. January 15.	Speech at the opening of the Legislative Council.	17
No date.	Address (in French) of the French Canadians of Quebec, expressing indignation at the renewed attempt at invasion and their determination to oppose the invasion, &c.	24
	A similar address appears to have been sent from Montréal, the answer being addressed to the French Canadians of that city.	26
January and February.	Addresses (French and English). That the most earnest and hearty support shall be given to every measure of defence necessary for the safety of the Province, &c., with the replies.	90 to 112
1782. February 2, Quebec.	Speech to Legislative Council that public affairs requiring dispatch, the Attorney General is preparing the ordinances for expiring laws, which he trusts may meet with their approbation (English and French).	27, 28
February 2, 3 Quebec.	Message from the Governor respecting the necessity for a proclamation for threshing grain, so that if necessary it may be removed to a place of safety (French and English.)	29, 31
February 4, Quebec.	Address from the Legislative Council, in reply to the speech from the Throne.	32
	Additional addresses in English and French.	33, 34
1783. January 17, Quebec.	Answer to these, dated 7 February.	35
	Speech of the Governor at the opening of the Legislative Council (French and French).	36, 37
January 17, Quebec.	Message to the Council to agree to the renewal of the proclamation for securing grain (English and French).	38, 39
February 5, Quebec.	Address of the Council on prorogation (English and French).	40, 41

1783.
February 4,
Quebec. Answer by the Governor to the address of the Council (English and French). Page 42, 43
- June 21,
Montreal. Address (in French). That two young French priests lately arrived may be permitted to exercise their ecclesiastical functions in the Province. 113
- June 24,
Quebec. Haldimand to Mezières and Adhemar (in French). That the order to send the two priests out of the Province was required by his duty towards the state. 120
- June 30,
Montreal. Mezières and Adhemar to Haldimand (in French). They had communicated his answer respecting the priests. The people feel grateful for his kind message; are preparing to send a petition for priests to the King. 122
- July 11,
Montreal. Circular (in French) sent by Adhemar to the captains of militia. Asking them to get up petitions to the King to send out priests from Europe. 124
- August 18,
Montreal. Delisle and Adhemar to Haldimand (in French). Requesting his countenance in their mission to get priests from Europe. 126
- August 28,
Quebec. Haldimand to Delisle and Adhemar (in French). That it is necessary he should see the petition before he could recommend its prayer to the King. 128
- September 4,
Montreal. E. W. Gray, sheriff, to A. Mabane and Jenkin Williams. That the meeting lately held was not called by authority of the magistrates. 130
- September 4,
Montreal. Adhemar and Delisle (in French), with the petition for priests from Europe, and explaining the circumstances attending their meeting; the circulars to captains of militia, &c. 131
- The petition (enclosed) prays for equal rights and privileges with other subjects. 135
- September 8,
Quebec. Memorial (enclosed) for the admission of priests from Europe. 138
- Haldimand to Mabane and Jenkin Williams (in French). Letter, petition and memorial received from Adhemar and Delisle. They, with Messrs. Fraser and Williams, are to investigate and report on the facts connected with the meetings, memorials, &c. 147
- September 14,
Montreal. Mabane and Williams. That the meeting referred to in the letter from Adhemar and Delisle was not authorised, but as the object of that and of the circulars to the captains of militia was only for a petition to the King, and as the better sort of citizens disapproved of the proceedings, they thought it better to take no notice of them. 148
- October 6,
Quebec. Haldimand to Adhemar and Delisle (in French). That the steps they have taken, and their assumption of the title of deputies for the Province are neither proper nor legal. As the King and nation only desire their happiness, he can approve of neither the petition nor memorial. 149
- No date. Rough draught of a speech to be delivered to the council by Haldimand. 56, 57 to 59
1784.
March 22,
Quebec. Speech by the Governor at the opening of the Legislative Council. No official notice yet received that the definitive Treaty of Peace has been signed. Recommends ordinances for securing the liberty of the subject; for registration of deeds; for the regulation of fees; for the regulation of post houses. Returns respecting the St. Paul's Bay disorder show that the number affected was not so great as represented (English and French). 44, 46
- March 24,
Quebec. Address in reply by the Legislative Council (French and English). 48, 49
- March 25,
Quebec. Reply to the address (French and English). 51, 52
- April 21. LaCorne St. Luc to the French Canadian councillors. To suggest that as representations have lately been made to the King for the repeal of

1784.
the Quebec Act, that they as Canadian born, should address the Governor so as to inform the King of their true sentiments. Page 53
The address (in French) follows for the continuance of the Quebec Act (1774), so that it might be transmitted to their children as their charter. 54
The substance of the address embodied in one in English. 55
- July 19,
Quebec. The Grand Jury. Thanks for the repairs done to the hill leading to the upper town; there is an absolute necessity for the work to be completed. 150
- August 4,
Quebec. Inhabitants of Quebec. That means should be taken to insure the safety of travellers to Nova Scotia; that steps should be taken to punish the Indians who lately murdered two persons on their way to that Province, and that a special session should be held for their trial. 151
- August 5,
Quebec. Haldimand to Constant Freeman. (Enclosed in a letter from Mathews.) That the Indians charged with the murder of McNeal and his guide are in safe custody and will be tried at the regular Court of Oyer and Terminer. 154
- Various dates Collection (marked No. 50) of the different commissions, passes and regulations, &c., the forms of which have been printed since 1778. 155. 172
Included in this collection is a proclamation to the inhabitants of the back settlements bordering on Canada and offering an asylum from the tyranny of Congress. With the proclamation were printed two letters, from Thomas Jefferson one to Colonel Todd, dated Williamsburg, 19th March, 1780, the other of the same date to Colonel Clark, published to show the distressed situation of the revolted Provinces. (These letters are calendared in B, vol 175 and are at pp. 13 and 16 of the volume.) 175. 178
- No date. Speech to the Oneida Indians in the rebel interest delivered to them from Haldimand in the Iroquois language (Translation). 181
Original. 186

LETTERS OF INSTRUCTION TO BRIGADIER GENERAL ST. LÉGER ON GIVING UP COMMAND OF QUEBEC.—1784.

B. 221

B. M. 21. 881

1784.
November 14,
Quebec. Haldimand to Hamilton. That where it may be necessary for the King's service and the happiness of his people in the Province, there may be a mutual interchange of views between him and the commanding officer. Page 63
- November 14,
Quebec. Same to the same. Explanations of instructions in answer to a request for further information. 60
- November 14,
Quebec. Same to the same. Sends His Majesty's instructions for the Governor of Quebec. The respective duties of the civil and military authorities towards the loyalists. Economy to be observed in the issue of provisions. In respect to the ecclesiastical policy he had thought it best to allow priests to remain among the Indians and has encouraged the Seminary of St. Sulpice to fill up the vacancies from their older missionaries. He had left the Jesuits on the same footing as he found them, although some of that order had engaged in schemes and correspondence inconsistent with the allegiance and fidelity due to the King. The instructions from the ministry respecting priests from Savoy were left with the other papers; four of these priests may soon be expected, and are to have £200 a year. His belief in the equity and good policy of the Act of 1774. Those who are petitioning for a change are design-

1784.

- ing men, enemies to the tranquillity of the Province. Laws to be considered respecting procedure in the courts of justice, the reduction of fees, the registry of deeds, &c., the arrangements regarding the seigniory of Sorel. Page 54
- November 14, Same to St. Léger. No. 1. That he has left the necessary papers, with schedule, so as to put him in possession of the information that will enable him to carry on the command; list of expenditures, &c., enjoining him to curtail expenses. 1
- Quebec.
- November 14, Same to the same, No. 2. General instructions respecting correspondence with the War Office, the Treasury, &c., and what documents he should transmit. 3
- Quebec.
- November 16, State of the troops in the Province of Quebec, as distributed in the upper and lower posts at the departure of Haldimand. 49
- Quebec.
- No. 3. The nature of the returns and the periods at which they should be sent. 5
- No. 4. Respecting military works and repairs. 7
- No. 5. The barrack masters department. 8
- No. 6. The marine department. 9
- No. 7. The engineer's department. 10
- No. 8. hospital and surgeons. 12
- No. 9. Regimental contingencies. 14
- No. 10. Indian affairs, dealing with the expense caused by the war, which every effort must be made to reduce, of which Sir John Johnson and his officers are fully aware; the political conduct to be observed towards the Indians. A reference is made to their settlement on the Grand River. 15
- No. 11. The paymaster general's department and the arrangements for drawing bills. He must examine the state of the departments and obtain an estimate of the sums wanted for each. 20
- No. 12. Sends copy of letter from Lord George Germaine, drawing the line between the command of the lieutenant governors and officers of the army at the upper posts. 21
- No. 13. Sends letters from Captain Robertson at Michillimakinak with accounts from various departments. If properly vouched he (St. Leger) is authorised to settle accounts by warrant, as he wishes to discontinue the system of paying by bills. 22
- No. 14. Contingent accounts and how they are to be settled. 24
- No. 15. Warrants for assembling courts martial. 26
- No. 16. Respecting arrangements for vessels to accommodate the trade to the upper country. 27
- No. 17. Arrangements for loyalists and disbanded troops. 28
- No. 18. Arrangements for the carrying place at Niagara with John Stedman and John McComb. 30
- No. 19. The policy to be observed in respect to the posts in the upper country, claimed by the Americans, and what is to be done with the stores if they are given up. 31
- No. 20. The precautions to be observed lest the Americans should obtain permission to pass through the Indian country to attack Oswego or Catarqui. 33
- No. 21. Respecting the carriage of merchandise by the King's ships and the settlement of accounts for freight by the merchants. 34
- No. 22. That Colonel Hope is to reassume the office of barrack master general. 36
- No. 23. How the expenses in the suits against Cochrane and others on account of bills of exchange are to be paid. 37

1784.

No. 24. Respecting ordnance and other stores. At the end of this is a list of the following papers: Vote of Parliament for half pay to Provincial Troops, two letters to Stephen de Lancey respecting loyalists, and warrants for surveys on provisions. Page 37

No. 25. Timber to be sent for the Board of Ordnance to England and Gibraltar. 41

No. 26. Seignior of Sorel to remain in charge of the Royal engineers; the rents to be paid to the Receiver General. 42

No. 27. Under certain circumstances St. Leger may communicate his instructions to Lieut. Governor Hamilton. 43

Schedule of letters and papers delivered to St. Leger by Haldimand. 44

Return of disbanded troops and loyalists settled upon the King's lands in the Province of Quebec, in 1784. 52

Manifest of the exports of furs from the port of Quebec, in 1784. 53

FORMS OF WARRANTS, COMMISSIONS, ETC.

1776-1785.

LIST OF OFFICERS IN VARIOUS DEPARTMENTS, 1783-1784.

B. 222. B.M., 21,882.

1775.
April 7. Commission appointing John Campbell to be commandant of the Indians in the Province of Quebec. Page 20

1776.
March 2. Commission appointing James Stanley Goddard to be inspector of accounts. 20

March 28,
London. Pay Office to Colin Drummond. Calling attention to the large sums raised by bills although it did not appear that the military chest called for such a supply. He is in future to consult with the commander-in-chief; his business is to pay out, not to raise money, except on extraordinary occasions. Information respecting the dates to which certain regiments are paid, and how the subsistence for the foreign troops is to be issued. 10

June 25,
Montreal. Sir Guy Carleton. Prohibiting the sale of rum or other spirituous liquors without licence. 12

— Commission to James Farquarson to be assistant commissary. 6

Chambly. Forms of certificate for landing and of order for survey on damaged provisions follow. 7

July 5,
Chambly. Commission to Jacob Jordan appointing him deputy paymaster general. 9

August 7,
Quebec. Certificate granted to Robert Hunter, of military stores being landed here. 32

1777,
April 8. Instructions by Sir Guy Carleton to Captain Skeffington Lutwidge, of Quebec. H. M. S. "Triton," lent to command the naval armament upon Lake Champlain. 13

October 21,
Quebec. Establishment of the naval armament on Lakes Ontario, Huron, Erie and Michigan, showing the pay of each rank, &c. 15

1778.
April 30, Quebec. Discharge to certain seamen (named) who served during the siege of Quebec and afterwards on the lakes. 15

August 12,
St. James. Commission authorizing the appointment of a Lieutenant Governor or Superintendent of Fisheries on the coast of Labrador, at a salary of £200 a year. 49

1779.
February 1, Quebec. Certificate to an officer going on a scout, and form of leave of absence to a deputy commissary general. 45

1779. August — Quebec.	Instructions to Patrick Sinclair, Lieutenant Governor of Michillimakinak. His original commission was dated 7th April, 1775 (p. 21); allowed to retain the rank of captain on retirement by letter 2nd July, 1776 (p. 25); had been made prisoner in 1775 on going to his post and returned to England on parole; goes out now for exchange. Whitehall 3rd June, 1777 (p. 22).	Page 23
October 19. Quebec.	Respecting the accounts of the Receiver General; authorising the Board of Accounts to call evidence.	37
1780. March 17, London.	Memorandum by Lord George Germaine on the powers of Lieutenant Governors of posts to command the troops in garrison. Form of licence for the erection of a tenement and the sale of spirituous liquors, with conditions attached.	81 82
July 10, Quebec.	Report by the committee appointed to examine a petition of the masters and owners of vessels trading on the St. Lawrence, recommending in what manner the freight due to them should be collected. The orders for the calling together of Boards of Accounts (including the above) dated 24th March, follow.	16 17, 18
August 8, St. James.	Warrant to pay M. and Madame Deschambault a yearly pension of £200.	51
August 29. Quebec.	For survey on damaged Indian goods.	42
September 14, Quebec.	Haldimand to John Fraser and Jacob Jordan, Deputy paymasters, with instructions as to the accounts, &c., from the Paymaster General.	60
October 15, Quebec.	Warrant appointing a Board to examine the Receiver General's accounts. Other documents of 14th July, 4th October, and 15th November, 1781, and 1st May, 1782.	38 33 to 36
December 20, Quebec.	Warrant to the committee of accounts to examine the bills drawn from the upper poste. Also for the same, dated 15th October, 1781, and 25th October 1782.	38, 39 39, 40
1781. May 2, Quebec.	Pass to erable Father de la Brosse to visit the lower posts on the St. Lawrence, to perform the functions of his ministry with the Indians, Canadians and Acadians.	46
May 6, Quebec.	Warrant for the remission of the punishment of Reuben Huntington.	47
August 25, — Quebec.	For a board to examine pilots, to enable them to act as branch pilots for the St. Lawrence.	44
August 20. Quebec.	For a survey on damaged provisions in the King's stores, Quebec.	41
August 25, Quebec.	To engage the river craft to forward the transport of provisions, a second order to the same effect dated 15th September, 1781.	A 43
October 29, Quebec.	For a survey on damaged provisions at Three Rivers. Forms: For civil accounts; for passes to vessels employed in the St. Lawrence fisheries.	40 48
1782. March 14, St. James.	Commission to Sir John Johnson to be Superintendent General, &c., of Indian Affairs.	26
March 18, Whitehall.	W. Ellis to Sir John Johnson. Notifying him of his appointment and calling attention to the terms of the commission.	26
March 30, Whitehall.	Treasury to the same. Transmitting a minute of the Board respecting the reduction of expenses in the Indian Department. The minute follows.	28
April 23. St. John.	Instructions to Inspector of Indian Affairs. Commission to Jehu Hay. Appointing him Lieutenant Governor of Detroit.	31 30

1782. June 7, Quebec.	Appointing a board to examine the accounts of Taylor & Forsyth.	Page 53
June 30, Quebec.	Warrant to Schank to press seamen for the provincial navy.	19
July 2, Quebec.	For a survey on damaged provisions on board lately arrived victuallers.	41
August 13.	Regulations, &c., regarding the sale of commissions, resignations, &c., by officers of the army. The regulations by the War Office are dated 23rd December, 1775	67
September 24. Quebec.	Order to the Committee on accounts to have them all examined and ready for transmission by the ships in October.	36
December 9, Quebec.	Dividing the Province of Quebec into three road districts.	54
1783. February 8, 79 Quebec.	Order to Jenkin Williams, Clerk of Council, W. Grant, Deputy Receiver General, George Pownall, Secretary and Registrar, Nicolas-Boisseau, and Francis Ougnet, to prepare and lay before Haldimand a schedule of all papers in their offices.	56
	Form of accounts for different departments.	46
March 17, Quebec.	Warrant to pay William Bower for his expenses in visiting the different shanties to examine the timber out on the King's ground.	62
March 31, Quebec.	Pass to Mr. Bean to come to Montreal from Loyal Block house and return.	65
April 8, Quebec.	Warrant for a board of accounts to examine those of the Receiver General.	64
No date.	Arrangement of distressed loyalists upon the pension list, showing the allowance made to each per muster.	65
April 11, Quebec.	Order to Thomas Ainslie, collector of Customs, to have his accounts ready for the committee	65
April 14, Quebec.	Under certain conditions shopkeepers (the number is left blank) may erect each a tenement on the Isle aux Noix as a house of entertainment and to supply necessaries for the garrison; lots of 80 by 40 feet to be marked out for this purpose. The conditions are embodied in a form for signature.	66
May 12, Quebec.	Pass to John Stevenson to go to the Colonies and return, a cessation of arms having been declared.	68
May 23, Quebec.	Commission appointing Joseph Brant captain of the Northern Confederated Indians.	68
June 5, Quebec.	Warrant to make a survey on damaged provisions at Isle aux Noix.	70
July 2, Quebec.	Order to the agent for transports to take up the ship "Quebec" and the brig "Abercorn" for the conveyance of German troops.	73
July 7, Quebec.	Warrant granting Jean Baptiste Lepeau, of Percé, a gratuity of £10 and an annual pension for life of the same amount.	74
July 10, Quebec.	Commission appointing St. George Dupré, Grand Voyer of the district of Montreal, in room of M. Picotté de Bellestre, incapacitated from bad health.	74
July 10, Quebec.	Pass to Calvé, Indian officer, employed to visit the Western Indians.	75
July 13, Quebec.	Warrant for survey on damaged provisions in recently arrived victuallers.	76
October 11, Quebec.	Warrant to a committee to examine the Receiver General's and other accounts.	77
October 13, Quebec.	Survey to be held on provisions in the King's stores, Quebec.	77
	The same (dated 27th October) on the provisions at Three Rivers.	78
	The same on provisions at Sorel.	79

1783.	Edward Abbott, Lieut.-Governor, order to Grant, Receiver-General, for his salary.	Page 90
October 26, Quebec.	Richard Burke. Instructions to Thomas Boone, appointed to pay the troops in Canada.	93
No date.	Enclosed with these is the copy of a letter from merchants of Quebec dated 24th August, 1783, praying the Treasury not to send additional specie to Quebec, there being abundance in the hands of the merchants.	97
November 24, Sorel.	Report of survey on damaged provisions at this post.	85
December 4, Montreal.	Sir John Johnson to Mathews. Transmitting list of the officers of the Indian Department deserving of attention as loyalists.	129
	The list follows.	130
December 25 1784.	Off-reckonings for a regiment of foot according to the establishment on this date, showing the net amount for the year to be £2,677. 3 s. 7d.	72
February 13, Quebec.	Abstract of reductions made in the appointments of the staff and of the several departments in the Province, 24th December, 1783.	132
February 13, Quebec.	List of officers, &c., in the Indian Department at Niagara during the rebellion, with the reductions in consequence of the Provisional Treaty.	116
	Same for those at Detroit.	117
	Same for those in the Department of the Seven Nations of Canada.	118
	Commissaries, issuers, &c., in the Commissariat Department in the lower parts of Canada to 24th December, 1783, and the arrangement beginning on the 25th December, 1783.	119
	The people employed in the Commissariat at the upper posts.	129
	Other lists, viz. Quarter-master general's (p. 121); barrack master's (p. 122); naval (p. 123); Indian (pp. 124, 125); engineers (p. 127).	121 to 128
February 25, Quebec.	Loyalists and disbanded soldiers who wish to obtain lands from the Pointe au Baudette, are to repair to Lachine; those desirous to have lands at the Bay of Chaleurs are to go to Sorel; those in Quebec for the same place are to give in their names by the 2nd April.	83
No date.	The title of this return is: "List of officers and men, military and civil, which your Excellency was pleased to mention to have discharged hereafter, which then lessens the expense." The list is signed by John Schank, senior officer, Naval Department. The saving shown amounts to £1,129. 8 s. 4 d. stg.	134
March 9, Quebec.	Loyalists may remain in their present quarters till the state of the river shall permit the use of bateaux.	88
April 13, Quebec.	Survey ordered on bedding in the barrack master's store.	87
April 14, Quebec.	Committee to examine the Receiver-General's and other accounts.	88
May 17-18, Quebec.	Commissioners (named) appointed to administer the oath of allegiance.	89
May 18, Quebec.	List of seeds sent by Major Holland, for the use of settlers in the upper country.	91
May 18, Quebec.	Officers and soldiers, late of the troops of the Duke of Brunswick, desirous of settling, engage to repay the twelve month's provisions advanced, to enable them to settle.	91
July 1, Quebec.	Warrant appointing Joseph Maria Tonnancour, colonel of militia for Three Rivers, in room of his late father.	102
July 14, Quebec.	Pass to Lieut. Colonel Hull, on his way to New York.	93
July 21, Quebec.	Warrant to Thomas Dunn to transfer the balance in his hand to Caldwell, Receiver General.	99
July 21, Quebec.	Pass to Colonel French on his way to England by way of New Ycrk.	99

1784.		
August 3, Quebec.	Survey ordered on provisions at Three Rivers.	Page 100
August 31, Quebec.	Return of the naval department.	133
September 9, Quebec.	Order to John Craigie, Deputy Commissary General, to appoint suitable persons to survey the provisions at the posts.	101
September 25, Quebec.	Survey ordered on provisions stored in Quebec.	103
October 8, Quebec.	Committee appointed to examine the Receiver General's accounts.	104
October 21, Quebec.	Investigation ordered, to ascertain who is responsible for the loss of flour, and the cause of the deficiency in provisions.	105
October 25, Quebec.	Official notification by Haldimand, that the land on the Ouse, or Grand River, has been bought for the Mohawk Indians and authorising "the said Mohawk Nation and such other of the Six Nation Indians as wish to settle in that quarter, to take possession of and settle upon the banks of the river commonly called Ouse or Grand River running into Lake Erie, allotting to them for that purpose six miles deep from each side of the river beginning at Lake Erie, and extending in that proportion to the head of the said river."	106
November 16.	Loyalists settled in the Province of Quebec and estimates of provisions. The figures are men, women and children above ten years, who draw full rations, 4,500, under ten drawing half rations, 1,153. Loyalists who may have since come in 500, a total of 6,152, and of rations including wastage, 5,576.	107
1785.		
March 28, London.	Certificates of service granted to Justus Sherwood and Dr. George Smyth and of their losses.	107, 108
April 22, London.	Certificate that the amounts charged by Captain Maurer, for bateau service were authorised to be paid as necessary for the King's service and that the vouchers are the best that can be produced.	114
No date.	The good service of Peter Fraser, in various capacities; his knowledge of the St. Lawrence has enabled him to save the cargoes and crews of vessels which have been cast away; he is recommended as worthy of trust.	114
May 7.	Certificate of the services and losses of John Butler, and testimonial in his favour.	79
August 10, London.	Testimonial in favour of Sir John Johnson.	80
August 13, London.	Certificate of the services of Daniel Claus since 1756, when he was lieutenant in the 60th Regiment. The services are stated briefly, and his sufferings as a loyalist certified to.	110
August 19.	Certificate of the services of Major James Gray.	112
1786.	The same of the same date to Major Robert Leake.	112
May 6. London.	Certificate that Captain Daniel Robertson, commanded at Oswegatchie in 1779, not Lieut. Davis, who received a warrant for the command money by mistake.	113
May 14, London.	Certificate to John Stedman of his services and the faithful discharge of his duties at the carrying place of Niagara.	109

PAPERS CONCERNING THE TENURES OF FOY ET HOMMAGE.

1771-1784.

B. 223.

B. M., 21,883

1771.
October 10.
Quebec.

F. J. Cugnet (in French). Opinion on a suit, between Outhbert, Seigneur of Berthier, and Jean Baptiste Destrampee, respecting land on Isle aux Castors; alleged to be set aside as a common. The opinion was

1771. given on a series of questions by Henry Kneller, advocate, and answered categorically by Cugnet. Page 1
- Copy of the 25th article of the police regulations for Quebec, respecting the care of cattle in pasture, extracted from the 1st register of the Conseil Supérieur, dated 11 March, 1676. 13
- October 28. The ordinance relating to cattle at large of 31st October, 1727. 15
Quebec. Extract from list of seigniories of those granted by the French Government on that part of Lake Champlain lying within the Province of Quebec, none of which have been reunited to the King's domain. 74a
- No date. The same for lands granted *en roturier* or in soccage. 74b
- Alexander Fraser, to be admitted to take the oath of fealty for the fief and seigniory of Lauzon, acquired from Messire Beaurivage, and his lands be divided among his heirs and children, to avoid future dispute. 69
- Certified copy by Cugnet, of a declaration by the King of 16th June, 1703, that the Counsellors of the Superior Council of Quebec, be on the same footing as the Counsellors of the Parliament of Paris. It prescribes the constitution of the Council. 71
1778. Petition of the seigniors of the district of Montreal for delay in rendering the oath of fealty (foi et homage) for reasons given. 76
August 18, Montreal.
- No date. Memorandum by Mr Pownall concerning the post of LaBaye, in favour of Mr. Rigaud, dated 15th October, 1759, and of a piece of land at Terrebonne, in favour of Mr. LePage, dated 10 April, 1731. The certificate of registry signed by Boisseau is dated 6 June, 1758; a note to the concession of LaBaye says it is the last concession in the register. 75
1781. Two memorials (in French), from the Nuns of the General Hospital, Quebec, to be put in possession of the Seigniory of Berthier, left them by the late M. Rigauville. 167, 169
- January 15, Montreal. Permission granted, on payment of the usual fees. 172, 173
- A. L. Réaume (in French). Praying for delay in rendering fealty, owing to his father's recent death and the question of succession being still unsettled. 79
- January 16, Quebec. Nuns of the General Hospital. Memorial (in French), for a remission of the dues, on the ground of their services. 174
- Petition granted. 176
- January 22, Quebec. Nuns of the General Hospital returning thanks (in French) to Haldimand, for permission to take possession of the land left them and for his generous remission of dues. 177
- The official warrant for the remission of dues. 179
- January 29, Montreal. Nuns of the General Hospital Montreal, memorial (in French). For the remission of dues on the Seigniory of Chateauguay. 180
- Petition granted on the ground of services to the sick and infirm. 183
- A memorandum (in French), which appears to have been sent with the memorial. 188
- February 2, Quebec. Report by Monk, Attorney General. Reporting that the titles of the Seminary of St. Sulpice and of the Ursulines of Three Rivers, do not legally admit of the oaths of faith and homage being administered, whatever may be the view of the question politically. 80
- February 7, Quebec. Case (in French), for the opinion of counsel as to admitting Mr. Grant, husband of the Barons de Longueuil, to take the oath of fealty for the barony. 84
- The opinions given at great length follow, from Cugnet (pp. 86-102) from Judge Pénit, pp. 90-94). 86 to 127
- February 10, Montreal. Petition (in French) from the secular nuns of the Congregation of Montreal for remission of dues on St. Paul's Island. 184
- Granted, "hoping that this favour will incite them to redouble their zeal for the education of youth." 185

1781.
March 29,
Quebec. Cugnet, Memorandum in French: "I have no knowledge but there are other seigniories conceded in perpetuity on the River and banks of St. Lawrence, on the north shore, than those of Alma (between the banks and islets of Mingan), the mission of Amqui and the main and terre ferme) of Mingan." Page 116
- August 13,
Quebec. Judge Passet, Remarks in various titles showing the state of reality, pointing out errors and omissions. 117
- December 31,
Quebec. Dates and numbers of persons receiving themselves in the seigniories on taking the oath of fealty. The total number from the 1st of January to the end of the year was 70. 117
- No date. Judge Passet (in French). Legal questions respecting the oath of fealty. 117
- Notes (in French) on the titles of the Seigneur of the Village of St. Pierre to the Seigniories of Notre Dame des Anges and Charlevoix. 119
- Note (in French) in investigation of titles. 120
- Note (in English) by Attorney General James Osgood showing that no prescription could be set up by direct or indirect title against the King's title (in French) of a judgment by Hocquet in a case 1776 120
- That the oath of fealty could be sworn to the Seigneur James Osgood to Bonne and Chevallier in reference to the title of the said St. Pierre granted to them on the 12th October 1750, granted by Madame of the Governor General. 120
1782.
February 3,
Quebec. Copy of the confirmation of the title of the King. 124
- Cugnet (in French), respecting the registration of titles and what should be registered to guard the King's title under the old French laws. 126
- July 10,
Quebec. Memorandum in French by Cugnet, Respecting the fees and seigniories held by James Osgood. 127
- July 12,
Quebec. Cugnet (in French). That should seigniors to whom titles be conceded not have cleared or placed titles in their hands and according to the decree of the 17th July 1774, reports on the crown. How many were to be conceded to the seigniors by articles of purchase of Louis Martin, 1732, seigniors were mentioned in the said articles. 129
- July 12,
Quebec. Same (in French). Memorandum respecting the property of Quartier de Labriere. 131
1784.
October 14,
Quebec. Same. Certified copy of the Act of 17th May 1745 of Beauharnois and Hocquet to render certain seigniories to the Crown domains in Canada. They are: Land of 5th April on Mingan Bay; Laiguan of 6th April on Mingan and Lake Champlain; LaFosse Levis, 8th April, Chaudiere River; de Beaudry 13th April on the River Chamblay; Peas, 17th April on the Chaudiere and Lake Champlain, all in 1733. In 1731, to Lesseur, 15th October on the Yamaska, 1731, to St. Vincent, 12th April on Lake Champlain; 1734, Beaudry, 17th July, on Lake Champlain; to Contrecoeur, 1st July, on a island in Lake Champlain; Contrecoeur 1st 7th July on Lake Champlain from the Riviere aux Loues (Over Creek), with a side branch of de la Perrerie, 6th July, on the River Chaudiere, with a side branch, 1733. Sastrevet, 4th April, River Chamblay; Sastrevet de Essey, 1st April, on the River Chamblay; 1736, d'Argentan, 6th October at the end of the depth of Laronais; 1733, to Laronais, 5th April, on the River Chamblay, to Missisquoi Bay; 1737, Ecclert, 13th June, on the west bank of Lake Champlain to below the River Esquet; 1732, Fortancut, 3rd April, to Missisquoi Bay. They may obtain new titles by improving these lands within a year's delay. In default judgment is finally given against the Sieurs Douville de Noyan and Legachetiere for concessions dated 8th October, 1736, on 2nd April and 11th April, 1733. 18



	1784.		
October 14,	Quebec.	Certified extract by Cugnet from the registers showing the descendants of the noble families in the Province.	Page 23
October 19,	Quebec.	Documents presented by F. J. Cugnet, respecting the claims of Cuthbert, Seigneur of Berthier. The documents include: 1. Extract from Cuthbert's Act of foi et homage.	29
		2. Legal proof that the Isle aux Castors of Berthier is common.	35
		3. Legal explanation of cens et rentes.	37
		4. Legal explanation that the seigniors have no legal right to levy tolls.	39
October 23,	Quebec.	Legal explanation, showing that the River Machiche is the King's and forms part of his domain in this Province. The title affirms that the River Machiche being navigable, forms part of the King's domain, not only from the concession to Boucher of the fief Grosbois, but from the common law.	43
October 27,	Quebec.	F. J. Cugnet, in answer to the question: Had the mandements of the Bishops in Canada full force without the consent of the governors general and intendants? Quotes authorities and declares that they had not.	50
November 2,	Quebec.	Cugnet, in answer to the question: Whether under the French rule, there did not exist a law concerning the registers of baptisms, marriages and burials, quotes the laws as providing that two registers shall be kept, one to be transferred to the registry, the other to be retained in the parish; the law to be complied with under penalty.	54
March 28,	Quebec.	Cugnet. A detailed report on the fiefs and seigniories of the main land of Mingan, of the Island and islets of Mingan and of the Island of Anticosti, and also of that of Mille Vaches, included within the King's domain, called traites de Tadoussac.	56

VALUATION OF FIEFS AND SEIGNIORIES IN CANADA.—1781-1782.

1781.

B. 224.**B.M. 21,884**

		Each table has columns with the following titles: Nombre des habitants censitaires; étendue des terres concédées, (with sub title: Superficie des terres; en culture; en prairie; en bois debout). Maison et bâtiments (sub titles; moulin banal; maisons; granges). Revenus en argent Tournois (sub titles; des domaines; des moulins). Cens et rentes (sub titles: en argent Tournois; en blé; en chapons; journées de corvées); Droits, privilèges, et prerogatives du seigneur suivant les titres primitifs de concession. Clauses de reserves au roi et charges des concessions des seigneuries. There is also a statement of the revenues from each source.	
September 20,	Quebec.	Recapitulation (in French) of the fief and seigniority of Isle Bizard, of Pierre Fortier, in the district of Montreal.	Page 1, 2
		The same of the fiefs and seigniories of the seminary of Montreal.	3, 4
November 15,	Quebec.	The same of the Jesuits.	5, 6
December —	Quebec.	Recapitulation of the fiefs and seigniories of Pierre Paul Margane, of de la Valtrie of the District of Montreal.	8, 9
	1782.		
January 30,	Quebec.	Same of Joseph Brassard Descheneaux, of the district of Quebec.	10, 11
February 25,	Quebec.	Same of Joseph Dominique Emanuel Le Moine, Chevalier de Longueuil.	12, 13
April 29,	Quebec.	The same of the Seigniority of Quebec.	14, 15
April 29,	Quebec.	The same of Michel Eustache Gaspard Alain Chartier de Lothbière, district of Montreal.	16, 17

1782. April 29, Quebec.	The same of Conrad Gogy, district of Montreal.	Page 18, 19
No date.	List of seigniories in the districts of Quebec and Montreal, with the number of houses in each.	7

MISCELLANEOUS PAPERS—1777-1778.

B. 225-1. B.M., 21,885.

1777. March 9, Quebec.	Ordinance respecting militia (page 93) referred to in ordinance for continuing the same, dated 16th January, 1779.	Page 91
March 11, London.	Watson & Rashleigh. Invoice of naval stores shipped on board the "Mersey," consigned to Sir Guy Carleton.	1
March 13,	Commission by Patrick Henry. Appointing Joshua Wright to be sheriff of the County of Yohogania.	24
March 20, Cork.	Robert Gordon, commissary of provisions, to Carleton. Owing to the scarcity of staves for casks, has ordered the transports to load with staves, or oak logs fit for staves, and asks for assistance to procure the staves required.	22
May 9, Quebec.	Lease from Government to Johnston and Purss, of the King's store-house, on the King's wharf, Quebec.	12
May 24,	John Wade and John Collins to Carleton. That by using small blasts, there need be no danger in blasting out a foundation for a house to be built by John Borne, in the lower town of Quebec.	29
June 2, Ferrisburgh.	John Cannon to Colonel Udny Hay, at Ticonderoga. Sending a copy of the "Association Bill of the inhabitants of the New Hampshire Grants, near Tyconderoga."	28
	The "Bill," engages to support the Northern army of the United States, by means specified, and has the signatures of 62 individuals. The attestation is in these terms: "The within is a true copy of the original association Bill, and also a true list of the signatures, viz.: All which signed the original Bill and the several copys which were transmitted to the peoples several habitations and return'd again to this office. Test. John Cannon, clerk to the Committee of Safety on the New Hampshire Grants, north of Ticonderoga."	26
June 10, Quebec.	Return of transports that sailed from St. Helen's on the 10th April for Quebec, part of which arrived on this date.	30
June 12.	Pay roll of a party of men Captain Fraser had under his command on this date.	31
June 21, Detroit.	Commission appointing Norman McLeod to be town major of Detroit.	33
July 25, London.	Mure, Son & Atkinson. Respecting the victuallers which sailed from Cork, on the 7th June and 7th July, of which a list is sent, as well as a statement of the stores sent out by these and by the fleet in April.	34
August 7.	Pay roll of Captain John Keyser's company, in Col. Jacob Clarke's battalion of militia in Tryon County, in the last alarm ordered to march to Fort Schuyler.	32
October 16, Saratoga.	Articles of convention between Lieut.-Gen. Burgoyne and Major-General Gates.	36
1778. April 18, Quebec.	List of His Majesty's Council for the Province of Quebec.	40
May 7. Kingsbury.	Certificate by the commission for detecting and defeating conspiracies, that David Steward has taken the oath of allegiance to the State and may remain unmolested.	42
July.	List of the Canadian noblesse resident in Canada.	45
July 28. Quebec.	Affidavit by George Allsopp, that he was assaulted by Stair Douglas, commander of H.M.S. "Montreal."	43

1778.
August 21,
Pough-
keepsie. Commission in the New York militia to John Keyser, as captain in the regiment of Tryon County. A note signed by D. Claus says: "The above is the regiment I commanded before the rebellion, and Keyser was a sergeant, and Colonel Isaac Klock a captain." Page 48
- September 8,
Montreal. Presentment of the Grand Jury against Lieut.-Governor Hamilton and Philip Dejean, magistrata, both of Detroit. 62
- September 17,
Montreal. Presentment of the Grand Jury of Montreal against Philip Dejean, magistrate at Detroit. 50
- Same date, the Grand Jury present that there is not a proper prison for the district. 60
- A further pre-entment respecting the prison dated 22nd September. 65
- September 22.
Montreal. Bench warrant for the appearance at Montreal of George Anthon, surgeon at Detroit. 67
- Philadelphia. Letter of credence to Franklin. Minister Plenipotentiary to the court of France. 68
- Instructions follow. 69
- Plan of an attack upon Quebec. With the following note by order of Congress: "The above plan referred to in your instructions you shall lay substantially before the French minister; you shall consult the Marquis de la Fayette on any difficulties which may arise, and refer the ministry to him, as he hath made it his particular study to gain information on those important points." 73
- Observations on the finances to be laid before the French ministry. He is to labour for their assistance to remove the difficulties there stated. 81
- Philadelphia. Leave for the Marquis de la Fayette to go to France and return at such time as shall be most convenient to him. 85
- At the end of the documents beginning at page 68 and ending at page 90 is this note in French: "Plan sent by Congress to the court of France, for the invasion of Quebec, found among the papers of Mr. Laurens."
1779.
March 1,
Montreal. Part of the address of the judges to the Grand Jury of Montreal, that in the present circumstances of the country the Governor General cannot take the steps he would at another time to investigate the complaints against Dejeau; that orders are given to prevent him from exercising the powers he has assumed, and that a commission has issued to proper persons to act as conservators of the peace at Detroit. 105
- March 6,
Quebec. Certified copy of the commission appointing Adolphus Benzell to be Inspector of unclaimed land in the Province of Quebec, dated 25th September, 1770. 110
- March 8,
Montreal. The Grand Jury returning thanks to His Excellency for the measures taken to preserve order, &c., at Detroit. 107
- October 19,
Williams-
burg. Parole of Philip Dejeau, a prisoner in Virginia, to be taken to Hanover court house from which he is not to go more than a mile in any direction. 115
- November 18,
Fort Paris. F. Fisher, colonel commanding, to officer commanding at Remensnyder's Bush, ordering a weekly return of the troops under his command, which has been neglected. 117
1780.
January 21.
Quebec. Complaint of James Cuthbert against Haldimand. For cutting down wood on his property, to his great detriment. 118
- January 28
and
February 3. Minutes of Legislative Council of Quebec on these dates. 123
- February 7 to
March 8. Minutes of the Proceedings of the Legislative Council. 133 to 148
- February 9,
Quebec. Considerations on the state of wheat and flour in the Province of Quebec. These show that the price of wheat had risen to two dollars a

- 1780.
- February 17,
Quebec. bushel and flour to eight dollars for 100 pounds. The proposals to prevent exportation and to fix the price of wheat, &c., discussed. Page 146
Monk, Attorney General. His opinion that the Governor in Council has no legal power to fix the price at which grain and flour are to be sold. 159
- March 20,
Quebec. LeMaistre to St. Léger. With order to cut firewood on Cuthbert's property on Isle Raudin, near Sorel; enclosing letter to Cuthbert, that an account shall be kept of the quantity taken, so that he may be able to establish claim for payment, should it be found just. 149, 150
- April 19,
Quebec. Reasons of dissent by A. Mabane, F. Baby, and Samuel Holland, who voted for fixing the price of grain, against the decision that this was beyond the power of the Council. 152
- May 27. French translation of petition of James Cuthbert, of Berthier. Complain- ing of the damage that will be done to his property, to himself and tenants by the erection of a bridge over the River Berthier, entering into minute details. 156
- June 15,
Quebec. Cuthbert to Germaine. Complaining of the harsh measures put in practice by Haldimand against his property, with a narrative of the proceedings complained of. 160
- July 1 to
August 4. Journal (in French) of the summer inspection of the roads, with report of the orders given and their condition. 169
- July 10,
St. Cuthbert. Louis Vadnest, captain of militia, to Haldimand (in French). Complaining of the conduct of James Cuthbert, his interference with the King's service, his threats against those who signed the petition for a bridge over the River Berthier, &c. 167
- August 17,
Quebec. Complaint (in French) by Maguan, road inspector, against Fleury, captain of Militia of Lormière, for refusing to obey orders. 177
- October 15. Copy of minutes of Council, from 25th September, 1779, to date. 179
- November 19.
Montreal. From certain men who enlisted and desire to join Major Rogers' corps. 182
- November 19,
Montreal. Affidavit by Elias Lind that he had enlisted to serve in Rogers' corps. 184
- 1781.
- January 23. Court martial on three deserters, two from the 8th and one from the 31st Regiment. 186
- March 31,
London. Opinion of the King's Attorney and Solicitor General in England, that the Governor in Council of Quebec has a right to fix the price of grain and flour. 194
- September 12,
C-o-(Coboes). N. Nofrettas. Sends messages from B. Mountain (Beadle) and P. Mountain (Porter). (See Vol. B. 176, p 275.) 193
- 1782.
- February 20.
Quebec. Certificate (in French) by Cugnet. That the Attorney General under the French Government had besides his salary, a gratuity of 600 livres. 196
- A detailed statement of the fees follows, showing the annual income to have been 3,900 livres. 197
- April 2,
Three Rivers, W. Barr to Genevay. Giving an account of the appearance and actions of Scriven, of his arrest on the ground of insanity and enclosing the deposition against him (p. 198). If not insane, he must be a very bad man and not fit to be trusted with affairs of the high importance he talks of. 199
- April 5,
Three Rivers. Captain Fletcher to the same. With full details of Scriven's conduct, which left no doubt of his insanity. 202
- April 5,
Montreal. W. Barclay Scriven to Haldimand. An incoherent letter giving every indication of insanity. 207
- A long affidavit follows. 210

1782.
 April 7. Deposition (in French) by Alexis Peligord against William Barolay
 Three Rivers. Scriven, for an assault committed in deponent's house. Page 198
- July 13, Certificate and attestation (in French) by inhabitants of St. Ours
 Montreal. regarding the price of wood. 235
- July 14, Certificate (in French) of four inhabitants of Lanoraie of the quantity
 Montreal. of wood cut on their land and on that of Mr. Cuthbert. 237
- July 14. Examination (in French) of notables of Berthier and St. Cuthbert,
 respecting the necessity for a bridge over the River Berthier, its employ-
 ment as a navigable stream, &c., to meet the claims of James Cuth-
 bert. 239
- July 14, Attestation (in French) of the inhabitants of Berthier, who petitioned
 Berthier. for a bridge over the river. 242
- July 15, Further evidence (in French) respecting the demand of the inhabi-
 Berthier. tants for a bridge over the river Berthier. 244
- July 16, Remarks by Captain Twiss, on charges made by James Cuthbert for
 Quebec. timber cut on his land amounting in his account to £9,392. 10s. sterling;
 the total amount by the account made up by Twiss being £69, 17s. 7d.
 currency. Cuthbert has also made claims for compensation an account
 of the navigation, which have been proved by evidence to be
 unfounded. 247
- July 17, Report by James Thompson, overseer of works, of the manner in
 Quebec. which he proceeded on the inquiry at Berthier and Sorel respecting a
 charge made by James Cuthbert, Seigneur of Berthier, against Govern-
 ment. 251
1783.
 January 10. Order to all public officers to submit the public records for exami-
 Quebec. nation by Jenkin Williams, Inspector General of the King's domain. 261
- February 3, Lease of the St. Maurice Forges to Conrad Gagy for sixteen years. 262
 Quebec.
- February 6, Report by George Starr of the movements of troops in New England,
 Loyal Block the growing discontent of the people at the excessive taxes, their desire
 House. for peace. Preparation for an expedition against the posts in conse-
 quence of reports to Washington that a large force is preparing to
 move in spring in favour of Vermont. How the American force is to be
 divided. Washington with a large force intends to bring Vermont to
 terms. Starr brought in a deserter from Washington's army, which
 he represents to amount to 8,000 men and that the officers were speaking
 of an expedition against Vermont. 270
- February 10- J. C. to C. S—d (Sherwood.) The continentals made the pretext in
 coming to this State (Vermont) that they only came after deserters;
 they had injured no one; believes they came after Squire Knowlton
 and others. The Governor and Council had remonstrated against the
 exercise of authority by Congress in this State. Can send no news of
 the general court for some days, expects to be with him (Sherwood)
 shortly. 273
- February 12. Summary of information brought by Starr. Giving fuller details than
 in the previous report (p. 270). Washington declared that if Vermont
 were not quiet he would move his whole force into the state. 276
- February 14, Observations (in French) by the road inspector (voyeur) of the
 Quebec. district of Quebec. The insufficiency of the allowance for travelling
 expenses when in the discharge of his duty and suggesting a remedy. 279

MISCELLANEOUS PAPERS, 1777—1778

B. 225-2

B.M., 21865.

1783.
February 14,
Quebec. Report (in French) of Jean Renaud, road surveyor (voyer) of the District of Quebec, on the state of the roads and bridges in Ancienne Lorette, Charlesbourg, Deschambaux, Cap Santé, Pointe aux Trembles, St. François Ile d'Orléans, Lotbinière, Kamouraska, St. Roch, St. Jean, Cap St. Ignace, St. Thomas, St. Valier, and Pointe Levy. Page 282
- February 22,
St. John's. Deposition by Uriah Baldwin. Respecting a sale of tea by Pritchard to people from Vermont. 286
- March 9,
Chambly. Deposition of Alexander McArthur. Respecting a charge of robbery. 292
- March 13,
Pointe au Fer. Journal of Major Campbell's last scout out from his camp 1st March, 1783. The journal, signed "Ziba L. Phillips, sergeant K. R.", (King's Rangers) begins on the 1st and ends on the 13th. The sergeant reports the failure of Willet's expedition to Oswego, &c. 288
- May 19,
Montreal. Valuation (in French) of a guard house at Montreal. 296
- July 7,
Quebec. Warrant for payment on this valuation. 298
- July 7,
Quebec. Return of Indians in the seven villages round the settled parts of the Province of Quebec. The totals are for Caughnawaga 612; Lake of Two Mountains, 754; St. Regis 380; St. François 342; Lorette 103; Oswegatchie 101; Carleton Island 582. Of chiefs and warriors there were in all: village chiefs 22; chief warriors 87; warriors 749. Full details of men women and children. 300
- July 22. Declaration by Mabane that whatever opinion he may have given as a councillor in respect to the policy of giving credit on bills of exchange, he is in no way precluded from giving an impartial judgment in the case of Cochrane when it comes before the court. 301
- October 23,
Quebec. Mabane, Dunn and Williams. Applying for salary as commissioners for executing the office of Chief Justice. 303
- November 19,
Quebec. Memorial by James Cuthbert to the Duke of Portland. Respecting complaints against Haldimand for cutting timber on his (Cuthbert's) land and erecting a bridge where he had the exclusive right to ferry. 304
- November 24'
Quebec. An account for timber cut &c., follows. 307
- November 24'
Quebec. Jean Renaud, road surveyor. Representing (in French) that the Attorney General has refused to undertake the case against Henry Caldwell, for violation of the road acts, &c. 310
- December 10.
Quebec. A representation of the case from the commissioners of the Peace who gave judgment against Caldwell at F. J. Cugnet. Memorandum (in French) respecting the law concerning cattle going at large. 315
- December — List of vessels lost and damaged in the River St. Lawrence from the 3rd of June, 1776, to 31st October, 1783. There were 60 vessels in all, and the place is mentioned where each ship suffered. The necessity of buoys and land marks is urged to save further loss. 318
- December. Present state of the rents and other revenues of the seignior of Sorel according to the last two receipts for 1782 and 1783. 325
- 1784,
January 26,
Quebec. Jean Renaud, road surveyor. Proposals (in French) concerning the roads and bridges in the district of Quebec, submitted for consideration. 328
- January 26. Same. Report (in French) on the portage of Lake Temiscouata, giving an account of the surveys, of the men employed, &c. 335
- March 31,
Quebec. Certificate by Captain Rudyerd to Daniel Cameron, in support of his petition for land. 341
- May 17,
Quebec. Report (in French), signed by Samuel Holland, Henry Rudyerd, John Coffin and F. J. Cugnet, on the state of the streets in Quebec. 342

1784. June 22, Quebec.	List (in French). Of the parishes and curés in the diocese of Quebec, with the amount of tithes, and the number of communicants, or persons of both sexes above 13 to 15 years of age or thereabouts. Page 349	349
July 4, Woolwich.	James Pattison to Colonel Macbean, Royal Artillery. That all men enlisted after the 9th of February, 1779, are entitled to their discharge, but may be reenlisted for life. Scale of bounties, &c., is stated in the letter and an extract from the Act of Parliament enclosed.	355
July 20, Quebec.	Dedimus potestatem to John Collins to administer the oath of office to Neil McLean as a commissioner and justice of peace for the district of Montreal.	359
July 31, Quebec.	Warrant (in French), by M. Pierre Panet, commissioner of the peace, to the gaoler at Quebec, to receive an Indian charged with the murder of Mr McNeill, and a man named Dufeu from Kamouraska.	362
August 2.	Speech of François Xavier, principal chief of the Madawaska Indians, that the young men accused of murder would be delivered to justice. 363 On the 4th of August, it was agreed that the witness against the murderer should be left till the arrival of the chiefs and that the messenger to the Penobscot Indians should be furnished with a belt.	365
August 2, Quebec.	François Xavier, the grand chief, and Grand Pierre, the second chief of the Madawaska village, ask for an order to prevent the sale of rum to their people. James Kelly, a trader at the village, says that Indians from St. Francis have been selling rum to the Madawaska Indians and that Robichaud at River du Cap has been selling it in kegs, and that this was the cause of the late murder. That the Indians wish that no spirituous liquor be brought, as whenever it is there, the young men, wives and others sell all they have to get it.	366
August 18, Catawaqui,	Oaths of office taken by John Ross and Neil McLean before John Colline.	368
August 25, Quebec.	Obligation as justices of the peace. 371 Committee on Public Accounts, that until the papers are received from Lieut. Colonels Hamilton and dePeyster, no accurate report can be made on the accounts submitted.	373
August — Quebec.	Certificate of the dates of the commissions appointing commissioners for executing the office of Chief Justice.	376
September 2, Quebec.	Abraham, barrack master, to John Sparkman. Respecting the allowance to be made to him (Sparkman) for acting as his substitute.	380
October 11, Quebec.	F. J. Cugnet (in French). Note concerning the Canadian noblesse, with regulations dated 29th May, 1680, and extract of letter from de Maurepas to Hocquart, Intendant, dated, Versailles, 22nd April, 1732. 382	382
October 23, Montreal.	Statement showing the dates of the sessions of the Court of King's Bench at Montreal, from 1778 to date, with the names of the jurors at each.	407
October 28, Quebec.	Return (in French) of ecclesiastics and religious communities in the Province. 485 General census of the city and district of Montreal. 386 The same for the city and district of Three Rivers. 389 The same for the city and district of Quebec. 390 Return of Indians in the district of Quebec. 393	393
October 31, Quebec.	Reports of James Thompson, overseer of works for the garrison of Quebec, on the charges brought against Government by Captain Cuthbert, seignior of Berthier. 394 Affidavit to the truth of the reports sworn before Thomas Dunn on the 4th November. 398-400	394
November 1, Quebec.	Manifest of furs exported from Quebec in 1784, up to this date. 401 Additional return up to the 12th of November. 405	401

1784.
November 7,
Quebec. James Thompson to Mathews. Further respecting claims by Outhbert, of Berthier, and the trumped-up claim of Donald McKay, for loss at the ferry in consequence of the building of the bridge. Page 402
1785.
April 4.
London. Evan Nepean to Haldimand (?) Sends list of papers respecting Outhbert's claim. He thinks the case should be settled in the Canadian courts. Is under the impression that when the question was taken up in his predecessor's time, it was understood that Outhbert had no right for payment for any part of his estate but ought to have a toll on the bridge. 420
- June 4,
Quebec. List of papers transferred to Mr. Coore on the 5th April. 421
- June 4,
Quebec. General recapitulation (in French) of the Province of Quebec for the year 1784. A note (in French) says: At the conquest of Canada in 1760, there were 76,122 souls in the Province, of whom 16,212 might serve in the militia. According to the enumeration which I had made at the end of 1784, which gives an interval of about 24 years, there were 113,912 souls in the Province, without counting those in Detroit, and the Baie des Chaleurs, or the loyalists, settled since the peace, which shows an increase of 36,890 souls. Another note states that by a return dated the 4th of June, 1785, the number of militia was 28,249 men. (By comparing the two notes it will be seen that the number of militia had increased in nearly 25 years by 12,037, showing the rate for population to be about 67.36 and for militia about 57.39 per cent.) 406
- June 4,
Quebec. Table (in French) of the Canadian militia in the Province of Quebec, giving the names of all the officers, and the number of the non-commissioned officers and privates. City and district of Quebec. 424
- City and district of Three Rivers. 427
- City and district of Montreal. 428
- Recapitulation. 431
- (The total 28,249, as given at page 406).
- June 25,
London. William Van Felson. Petition respecting lands at Bonaventure. 432
- No date. Certificate by Mr. Steele that James Douglas gave information of fraudulent practices by which the Crown obtained judgment to a large amount against Taylor and Forsyth and recommending his claim to compensation for losses thereby incurred. 462
- Francis Maseres to the committee of petitioners for a House of Assembly, respecting the establishment of the French law in matters of property and civil rights. 463
- Documents relating to the ordinance for fixing the price of grain, namely, memorandum by Haldimand. 473
- Articles proposed to be inserted in the ordinance. 474
- Sketch of the proceedings at the Council in discussing the proposals. 476
- Hints submitted to the Governor and Council concerning the high price of wheat and flour. 491
- Official notice (in French) to the Bishop of Quebec, of the passage of an ordinance for the immediate threshing of the grain in possession of farmers. 495
- Memorandum on the composition of the courts of justice. 520
- Regulations proposed by the merchants interested in the Canadian trade to secure their property in the upper country. 496
- Opinion upon the repeal of the Quebec Bill. No signature. The document enters at some length into the consideration of the bill; its effect on the different classes and nationalities, &c. 498
- Names of the traders to the upper country, in two lists: namely, those trading to the Grand Portage and those to Lake Superior. 508

No date.

- Memorandum respecting public matters in the Province of Quebec, submitted to the consideration of Lord Sydney by Haldimand: 1. Means the most probable to retain Six Nation and Western Indians in the King's interest. Page 509
2. Preservation of the fur trade, &c. 512
3. Plan for the navigation of the lakes in the upper country. 515
4. Plan for the establishment of the disbanded corps and loyalists settled upon the Crown lands in the Province of Quebec and the advantages that may result. 513
5. Respecting the fortifications at Quebec and the different posts throughout the Province, and to learn His Majesty's pleasure concerning the support or completion of them. 517
- Suggestion that appeals from the decisions of the Vice Admiralty Court at Quebec should be made direct to the Privy Council and not in the first place to the Admiralty Court at Halifax. 523
- List entitled "return of the different families in Canada," but with no indication as to the families referred to. 524
- List of ships appropriated to the Canadian victualling service. 525
- Extract of Chief Justice Clifton's defence to the articles exhibited by Governor Johnston. 526
- Account (in French) of the state of affairs in Louisiana and the resistance to the transfer to Spain. 527
- Memorandum (in French) by Renaud, of the works done and to be done to the road leading to Lake Temiscouata and of what is still necessary. 532
- Opinion of Mr. Elliott on Mr. Outhbert's rights to the ferry at Berthier. 535
- Estimate of expenses attending the Secretary's office in time of peace. 536
- Memorandum on civil affairs in the Province. (These are jottings, or rough memoranda). 537 to 541
- Estimate of the annual expenses of the commissary of musters for the southern district. 542
- Two lists relating to the Provinces previous to the Revolutionary War.
- 1 List of governors on the continent of North America, showing the 13 colonies and Nova Scotia, Quebec, Newfoundland, Bermuda and New Providence. 544
2. Distribution of troops in the same. (Note: two troops of rangers in the Province of Georgia not included). 545
- Manner in which the contingent account of the regiments should be made up and transmitted to the commander-in-chief. 547
- List of officers, but with no indication of the corps to which they belong. There are 10 companies each with a captain and first and second lieutenant. 549
- List of the French troops additional to those in B. 27, published in the report on Archives for 1886. They are: List of the staff and troops of the marine. 551
- 3rd battalion, Regiment de Berry and the Regiment de la Reine. 552
- Regiment de Bear. 554
- Regiment de Guyenne. 555
- A plan, marked "Order of Battle." 557
- Statement of cash for freight, received by Thomas Dunn in November and December, 1784. 435
- Judgment in appeal to the Privy Council in the case of Commodore Johnston and Captain Sutton. 436
- Receipt for the balance of the fees paid by Haldimand for his investiture with the Order of the Bath. 559

1786
January 5,
London.

August 3,
London.

	The details follow, the amount of fees being £418 7 7 sterling.	560
	Fees at installation £69 17 6.	562
	For a plume £15 15. www.com.cn	564
	Dinner to the Knights £9 19 6.	565
	Subscription for the installation of Knights £250.	566
	The amount paid for the honour of knighthood, as shown by these figures, was £763 19 7 sterling.	
1787.		
November 28.	Journal and account of expenses (in French) of Ehinguer on his journey to Yverduin and return, on account of Haldimand :	
	Account.	447
	Journal.	454
	Endorsed (in French) journal and account of expenses of Sr Ehinguer who took my barge to Yverduin. He left London on the 9th of June, and returned on the 28th November 1787.	

LIST OF PLANS.

B. 226.

B. M., 21,886.

(It is simply a list of the plans, without any remarks.)

River St. Lawrence below Quebec.	12 plans	1
From Quebec to St. John's and Montreal,	13 plans, B1, B2.	2
Province of Quebec with the seigniories	B3.	3
Chateau St. Louis, different plans,	B4.	3
Lake Champlain and the Hudson River,	19 plans, C.	4
Montreal and upwards,	15 plans, D1.	5
Upper Lakes,	18 plans, E1, E2, E3.	6
Florida,	7 plans, I.	9
Florida,	9 plans, 2.	9
Mississippi, Louisiana, &c.		10
Florida,	6 plans and old plans and papers.	10
Fort Pitt,	11 plans.	11
Carolina,	4 plans.	11
America,	4 plans.	12
Printed plans of America,	7 plans.	13
Canada and various,	10 plans.	13
Jamaica.		14
Europe.		14

GENERAL INVENTORY OF PAPERS RELATING TO CANADA.

B. 227.

B. M., 21,887.

General inventory of papers relative to the post of Michillimakinak, from June, 1778.	2 to 6
Detroit.	8
Niagara and its dependencies.	10 to 18
Carleton Island, Oswegatchie, Montreal.	20 to 22
Isle aux Noix, St. John's, Sorel.	22 to 26
Royal Navy.	25 to 28
Provincial Navy.	28, to 30
Commissary General	30, to 32
Receiver General.	32

Engineers Artillery and Ordnance.	34
Indian Department.	36
Six Nations.	38
New York, Halifax, Penobscot, Forts Howe and Hughes.	40
Military letters and other papers, British and Foreign.	42
Secret Intelligence.	44
Rebel Prisoners and others.	46
Provincial corps and Loyalists.	46, 48
Letters from Secretaries of State, Treasury &c., on Civil Mat- ters.	48 to 52
Ministerial papers.	54 to 60

INVENTORIES OF PAPERS RELATING TO CANADA.

1778-1784.

B. 228.

B.M., 21,888

This volume contains a very full catalogue of the papers collected by Haldimand, with note of where some were to be found; and how others had been disposed of, &c. The lists fill 249 pages.

MEMORANDUM BOOKS OF GENERAL HALDIMAND.

1756-1778.

B. 229.

B.M., 21,889

A collection of rough memoranda on a great variety of subjects. It is not possible to calendar the volume which contains many important facts, mixed with the most trivial affairs. The Memoranda fill 114 pages. On the last are rules for his conduct, apparently at the time of entering on office as Governor of Quebec, the last of which may be given. The originals are in French. "To be always polite and obliging but also to be always watchful." "To ask time to consider things of any importance, but also to make it an inviolable law to do whatever has been promised." "Not to become heated in conversation, rather to leave the room under any pretext, as was the case with a Bishop, who prayed in order to give time for his blood to cool; to return immediately, to listen with patience and take time for deliberation." "To favour commerce, and distinguish the merchants who deserve it." "To have the respect for the officers which is due them, to associate with them at table and in parties with the Canadians, and to require from them good conduct, and the regulation of their expenses." The short jotting of his transactions will enable his course to be traced from the time he left the command at Boston till he came to Quebec in 1778.

www.libtool.com.cn

PRIVATE DIARY OF GEN. HALDIMAND.

JOURNAL INTIME DU GÉN. HALDIMAND.

www.libtool.com.cn

B. 230 à B. 232.

B. M., 21,890 à B. M., 21,892.

(Le journal forme trois volumes. Les entrées y sont faites d'une manière irrégulière; nous les avons mise ici dans leur ordre chronologique, bien que quelques-unes des dates soient douteuses.)

MEMORANDUM POUR L'ANNÉE 17^o6.

1786. 1^{re} janv. Mon neveu Authoine a passé chez moy et ma apporté mon compte courant par lequel, Il me redoit £50-15-3. Il ma remis en meme temps une reconnaissance, des fonds que j'ay mis entre ses mains avec un memorandum de ce qu'ils mont raporte jusqu'a ce jour.

Donne en etronne a mes Domestiques à Tuckfield 5 guinées.

à Fred. “

à la menagere 1 “

à chacun de mes autres Domestiques chaque $\frac{1}{2}$ g.

Visitté le matin le Baron d'Alvensleben, Sr John Dick, le Gen^l Robertson.

Le soir Lady York, Mrs Carpenter, Mrs Morisson, revenu chez moy à 11 heures.

Le 2^o

Madame Prevoet arriva chez moy et ma entretenu au sujet de son fils James, qu'elle souhaiteroit d'envoyer à N. found Land au lieu de la Jamaïque.

Reçu la visite du chevalier York auquel j'ay montré les ordres laissés en Canada, avec les copies des Lettres ecrites au ministre. Il a lu celles que j'ecrivis au sujet de Cuthbert, Du Calvet etc.—dont il a paru satisfait. Il m'a dit que si le ministere me continuoit les appointements de L. G. que je devois être très content, et rester tranquille jusques à ce qu'on me demanda pr servir.

Reçu les Visittes du G^l Christie L. G^l Moultry Major Gen. Sr Fr. Smith, Mrs Amiel. Le G. Durnford, ma conseillé d'envoyer un pouvoir d'Atorney à Mr Hodge à Pensacolle pr disposer de mes terres dans la floride Occidentale. Il croit que Levington a vendu à Mr Ward, la moitié d'une plantation de Mad^e Fairchild, de 2000 arpens. Il lui en reste encore une autre proche des marches.

Il n'est pas douter que Levington ou son agent, n'ayent reçu les rentes de ma maison de Pensacolle, et ils devoient me payer l'interet de cet argent.

Le 3^o

passé chez Lord Amherst qui étoit arrivé en Famille la veille.

passé chez le Gen^l Carpenter, Grant et le Major Gunn.

Le 4^o

Le Perruquier a Commence à maccomoder. J'ay été au Lévé.

Le 5^o

Été à la cour. Viens diner chez moy.

Le 6^o

fait visitté à mon neveux, le G^l Budé diné chez moy. Il me conseilloit beaucoup de ne plus penser à retourner en Amérique s'est passé la soirée chez moy.

Le 7^o

fait visitté à L. et L^d Sydney, L. et L^d Amherst, du Gen^l et M^{de} Robertson, Moultry, Trayon, diné chez moy avec le Major Peto qui ma dit que le Roy avoit refusé l'arengem^t proposé par Lernoux, qui sera obligé de vendre.

PRIVATE DIARY OF GEN. HALDIMAND.

www.libtool.com.cn

B. 230 to B. 232.

B. M., 21,890 to B. M., 21,892.

(The diary is contained in the three volumes but the entries are made irregularly. They have been placed as far as possible chronologically, but a few of them are of doubtful date.)

MEMORANDA FOR THE YEAR 1786.

January.

1. My nephew Anthony called and brought my account current, by which he still owes me £50 15s. 3d. At the same time he handed me an acknowledgment for the funds I have placed in his hands, with a memorandum of what they have yielded up till to-day.

Gave my servants a new year's gift. To Tuckfield 5 guineas; to Fred. the same; to the housekeeper, 1 guinea; to each of my other servants, half a guinea.

In the morning visited Baron d'Alvensleben, Sir John Dick, General Robertson. In the evening, Lady York, Mrs Carpenter, Mrs. Morison; returned home at 11.

2. Madame Prevost arrived at my house and entertained me on the subject of her son James, whom she would like to send to Newfoundland instead of to Jamaica.

Had a visit from Sir Joseph York, to whom I showed the orders left in Canada, with copies of the letters written to the Minister. He read those I had written respecting Cuthbert, du Calvet, &c, with which he seemed satisfied. He told me that if the Ministry continued my allowances as Lieutenant-General I should be well satisfied, and rest easy until I should be asked to serve.

Had visits from General Christie, Lieutenant-General Moultry, Major-General Sir F. Smith, Mrs. Amiel. General Durnford advised me to send a power of attorney to Mr. Hodge, at Pensacola, to dispose of my lands in Western Florida. He believes that Levington has sold to Mr. Ward half of a plantation of 2,000 arpents belonging to Mrs. Fairchild. There is still another belonging to her near a market.

There is no doubt that Levington, or his agent, has received the rents of my house in Pensacola, and they should pay me interest for the money.

3. Called on Lord Amherst, who had arrived with his family the previous evening. Called on General Carpenter, Grant and Major Gunn.

4. The hairdresser has begun to fit me. Was at the levée.

5. Was at court. Dined at home.

6. Visited my nephew. General Budé dined with me. He strongly advised me not to return to America. He spent the evening with me.

7. Visited Lord and Lady Sydney, Lord and Lady Amherst, General and Mrs. Robertson, Moultry, Tryon. Dined at home with Major Peto, who told me that the King had refused the arrangement proposed by Lornoult, who will be obliged to sell.

Le 8^e Dim.

Été voir mon neveu qui se trouve mieux—dîné chez Lady Holderness, avec Mes.^{rs} Dayrolles, Gen^l Gordon Budé Lord Dambier et son frere, passé la soirée chez moy.

Le 9^e

Changé de chambre à coucher et fait transporter mon bureau dans la chambre en haut. Employé toute la matinée avec le Major Mathews et Tuckfield à vérifier mon conte des Depenses qu'il a faite pour moy. Jusqu'au 31 Xbre dernier & J'ay ouvert une autre conte p^r L'année Courante.

Le 10^e Mardy.

Visité M. Dayrolles, & le Baron d'Alvensleben que j'ay trouvé chez eux—le premier me dit que L'Envoyé de Russie Lui avoit fait voir il y a quelque temps Le Traité que L'Imperatrice de Russie avoit proposé de faire avec Langleterre, souhaitant de faire un traité de Commerce & d'alliance, offensive, & diffensive que L'Angleterre avoit refusé;—Le Baron après m'avoir parlé sur l'Etat des Troupes Hanoveriens qui servent dans les Indes me dit combien on avoit été content de Leur Conduite, qu'on avoit resollu d'augmenter chaque Batt. (qui ne sont que deux de 100 homes par compagnie) de deux compagnies, que le Roi avoit accordé à cette Levée dans ses etats d'Allemagne & qu'on y travailloient actuellement. Ces Troupes Allemandes ont servy avec une approbation generale.

Nous avons eu une longue Conversation sur l'Etat des affaires telles qu'elles nous paroissent a present, d'où il nous a paru que nous sommes et serons pour longtemps les Duppes des Français.

Été chez M. Rigaud, qui m'ayant thémoigné l'envie qu'il avoit de faire le portrait de Joseph Braun. Je les ay invité à diner chez moy. Nous avons eu une longue ou Joseph a paru connoitre les Interets de sa nation, & estre tres raisonnable, passé la soirée chez moy.

Le 11^e Mercredy.

Joseph a dejeuné chez moy avec Claus. Il ma fait voir la copie du discours qu'il a fait, à M. L^d Sydney, que j'ay trouvée faible, bas, et beaucoup audessous de ce que j'attendois de Lui. Je ne veux plus me meler de ces gens la. Diné chez M. Core, avec M. Barner, M. M. le Docteur, passé la soirée chez M^{de} Robertson, ou il n'y avoit que des vieilles femmes, Mr Amherst & my lady y sont venu.

Gagné deux Guinées, revenu chez moy à 10 $\frac{1}{2}$ heure.

Le 12.

Été chez Mr Rigaud revenu diner chez moy, ou j'ay passé la soirée.

Le 13.

fait visite au Baron Alvensleben avec lequel j'ay eu une longue conver. sur les affaires du temps Il se figure que les affaires des Indes Orientales s'arangeront plus facilement qu'on ne pense. Il me dit que le Roi donneroit le Park de Grinich au Prince Edward; comme il est marin.

Le Baron m'assure que le Roi se proposoit d'aller à Hannover avec la Réne qu'il yroit débarquer à Stadé, et qu'il y avoit déjà des ordres donne en consequence; le Gen^l Bude ne croit pas que le Roy & encore moins la Réne entreprenne ce voyage, en tout cas il ne souhaite pas d'en être.

14. Samedy.

fait visite à Bude, reçu la visite du cap. Thompson, mon ship's mate; et celle du jage Owen. La nége m'empchant de monter à cheval revenu chez moy où j'ay passé la soirée.

15. Dimanche.

Mon neveu se trouvant toujours incomodé de la Poitrine, vint me voir en allant à Heigh Gate, ou Il se propose de coucher pendant quelque temps. Il me remit une

8. *Sunday*. Been to see my nephew, who is better. Dined with Lady Holderness, with Messrs. Dayrolles, General Gordon, Budé, Lord Dampier and his brother. Spent the evening at home.

www.libtool.com.cn

9. Changed my bedroom and had my desk carried to the upper room. Employed all morning with Major Matthews and Tuckfield in verifying my account of expenses which he made for me up to the 31st December last, and have opened another account for the current year.

10. *Tuesday*. Visited M. Dayrolles and the Baron d'Alvensleben, whom I found at home. The first told me that the Russian envoy had, some time ago, shown him the treaty which the Empress of Russia had proposed to make with England, desiring to make a treaty of trade and alliance which England had refused. The Baron, after having spoken to me of the state of the Hanoverian troops serving in India, told me how very satisfactory their conduct had been, and that it had been resolved to increase each battalion (which are only two, with 100 men to a company) by two companies; that the King had agreed to this levy in his German States, and that the work was now going on. These German troops have served with general approbation.

We had a long conversation on the state of affairs as they appear to us at present, from which it appeared to us that we are and shall for a long time, be the dupes of France.

Called on Rigaud, who having shown a desire to paint the portrait of Joseph Brant, I invited them to dine. We had a long [conversation], in which Joseph appeared to know the interests of his nation, and to be very reasonable. Spent the evening at home.

11. *Wednesday*. Joseph breakfasted at my house with Claus. He showed me the copy of a speech he made to Lord Sydney, which I found weak, shallow and much below what I expected from him. I don't wish to be any longer mixed up with these people. Dined at Mr. Coore's with Mr. Barner, the doctor. Spent the evening at Mrs. Robertson's, where there were only old women, Mr. Amherst and my Lady came there.

Won two guineas; returned home at half past ten.

12. Was at Mr. Rigaud's; returned to dine at home, where I spent the evening.

13. Visited the Baron Alvensleben, with whom I had a long conversation on present affairs. He imagines that East Indian affairs will be settled more easily than is thought. He tells me that the King will give Greenwich Park to Prince Edward, as he is a sailor.

The Baron assured me that the King proposed to go to Hanover with the Queen; that he would land at Stade, and that in consequence orders were already given. General Budé does not believe that the King, and far less the Queen, would undertake this voyage; in any case, he does not wish to be of the party.

14. *Saturday*. Paid a visit to Budé; received a visit from Captain Thompson, my shipmate, and one from Judge Owen. The snow prevented me from getting on horseback. Returned home, where I spent the evening.

15. *Sunday*. My nephew, being still troubled with his chest, came to see me on his way to Highgate, where he intends to sleep for some time. He handed me a

Le 19.

Été à la Cour, LaRêne étant incomodée n'y a pas paru, oependt Elle a diné jusqu'à 4½ heures. Budé a diné ches moy, & est allé passer la soirée chés le G^r Johnson.

Peter Frazier est arrivé le soir avec des dépêches de Quebec pour Lord Sydaey. Il a apporté des Lettre de Alexandre Gray concernant les affaires de DuCalvet & Hay—avec une Lettre pour M. Corre par ou il paroît que DuCalvet a fait tout ce qu'il a pu pour me surprendre et que Gray a négligé mes affaires.

20. Vendredy.

J'allay ches Mr Corre avec Mathews pour lui faire voir les Lettres de Devispond {Durnford] au sujet de Ducalvet. Il n'était pas ches Lui passé chés mon neveux qui se trouvait mieux.

J'allay ensuite chés Rigaud et fut content du portrait de Joseph. Diné & passé la soirée chés le Baron Alvensleben perdu 1½ guinée.

Il a paru hier & aujourd'huy dans le Morning Herald. Des Lettres adressées au Duc de Richmond et le Marquis de Langdon [Lansdowne?] sur le projet qu'ils ont formé de nomer Sr Guy Carleton general, & Gouverneur en chef de tout ce qui nous reste en Amerique. Ces Lettres sont fort severe contre ces seigneurs et leur protégé.

Je vis hier M. Adair chirurgien General, qui me dit avec un air épouvanté, qu'il venait d'apprendre par des Lettres et un Pamphlet, qu'il avoit reçu, que tout le Canada étoit Verollé, je le priay de me faire voir ces Lettres. Il me dit qu'il me les apporterait, je conçois que c'est un Tour du Lt Gouv. pour favoriser son amy Boman—qu'il avoit envoyé pour visiter les différentes Paroisses, et qui a fait dit on en conte de 1800 L. pr Ses depenees. Il sera necessaire que je verifie cet affaire.

Reçu une Lettre de Maban qui m'assure qu'il veillera sur ce que la comission à l'égard de Ducalvet se fasse dans les Regles. L'Evêque et Lavy [Gravé?] se sont très mal conduit, il faut penser à la pension du premier.

Le Col. Butler vint ches moy, au sujet de ses subalternes etc. Il me dit que le chev^r Carleton ne vouloit point se meler des affaires du Canada jusqu'à ce qu'il eût reçu sa commission, cependant il va souvent à l'Office de Lord Sydney et le juge Smith est appelé tous les jours auprès des ministres, et vraysemblablem^t occupé au changem^t qu'on se propose de faire à l'acte de Québec.

Butler me dit que Joseph se proposoit d'aller à Paris avant que de retourner en Amerique, si la chose avoit lieu il y a bien de l'apparence qu'il sera reçu plus cordialem^t qu'il ne l'a été icy, on Lui alloue 15 sh: par jour et 10 sh: au Capt. Haton qui est fort piqué de cette différence, etc., etc.

Il est surprenant qu'on soit si peu au fet de l'importance de conserver une bonne intelligence avec les Sauvages, et la nécessité de faire une alliance avec eux.

21 Samedi

passé chés M. Rigaud, reçu quelques visites, dinné et passé la soirée chés moy.

22^e Dimanche.

Il paroît Jendy et Vendredy passé deux Lettres dans le Morning Herald adressées au Duc de Richemond. Une personne qui a étoit: chés moy ce matin pourroit bien en etre L'auteur.

Le Docteur Barr, le Major Scott et mon neveux ont diné chés moy, ou j'ay passé la soirée.

Mon neveux me propose d'écrire à son frere Henry pr lui proposer de former une maison icy, avec Mr Longs, qu'il les supporteroit de son credit, mais qu'il ne vouloit pas s'associer avec eux, Il me dit qu'il souhaitteroit que M. Longs vint passer quelque temps icy pr Etablir sa maison; qu'en suite Il pourroit retourner à Turin, et Henry venu icy pr le remplacer, Il croit que de cette façon ils pourroient faire former une maison entre icy et Turin qui Leur procureoient plus d'avantage qu'il n'en ont aujourd'huy.

Il me dit que M. Long avant son départ étoit fort amoureux de la seconde des filles de M. Sanders.

19. Was at Court; the Queen being indisposed did not appear. However she dined at half past four. Budé dined with me and went to spend the evening with General Johnson.

Peter Fraser arrived in the evening with dispatches from Quebec for Lord Sydney. He brought letters from Alexander Gray respecting the affairs of Du Calvet and Hay, with a letter for Mr. Coore by which it appears that DuCalvet has done all he could to circumvent me, and that Gray has neglected my business.

20. *Friday*. I went to Mr. Coore's with Mathews to show him the letters from Durnford on the subject of DuCalvet. He was not at home. Called on my nephew who is better.

I then went to Rigaud's and was pleased with Joseph's portrait. Dined and spent the evening at Baron Alvensleben's. Lost a guinea and a half.

There have appeared yesterday and to-day in the *Morning Herald*, letters addressed to the Duke of Richmond and the Marquis of Langdon (Lansdowne?) on the plan they have formed to appoint Sir Guy Carleton general and governor-in-chief of all that remains to us in America. The letters are very severe against these lords and their protégé.

Yesterday I saw Mr. Adair, surgeon general, who told me, with a very frightened air, that he had just learned by letters and a pamphlet he had received, that all Canada was attacked with small pox. I asked him to show me these letters, and he said he would bring them. I imagine it is a scheme of the lieutenant governor to favour his friend Bowman, whom he had sent to visit the different parishes, at a cost, it is said, of £1,800 for his expenses. I must ascertain the truth of this business.

Received a letter from Mabane, who assures me that he will watch that the commission respecting DuCalvet is acting regularly. The Bishop and Lavy (Gravé) are behaving badly. The pension of the former must be considered.

Colonel Butler called on me respecting his subalterns, &c. He tells me that Sir Guy Carleton will not interfere with the affairs of Canada till he has received his commission. However, he often goes to Lord Sydney's office and Judge Smith is called every day to the ministers, probably engaged on the changes which it is proposed to make in the Quebec Act.

Butler tells me that Joseph proposed to go to Paris before returning to America. If it take place, there is every appearance that he will be more cordially received than he has been here. He is allowed fifteen shillings a day and ten shillings to Captain Hatton, who is greatly piqued at this difference, &c., &c.

It is surprising that they are not fully aware of the importance of preserving a good understanding with the Indians and the necessity of forming an alliance with them.

21. *Saturday*. Called on Rigaud, received a few visits, dined and spent the evening at home.

22. *Sunday*. There appeared on Thursday and Friday two letters in the *Morning Herald*, addressed to the Duke of Richmond. A person who was with me this morning might possibly be the writer of them.

Doctor Barr, Major Scott and my nephew dined in my house, where I spent the evening.

My nephew proposed to me to write to his brother Henry, to offer him to form a partnership here with Mr. Long, which he would support with his credit, but that he did not wish to be in partnership with them. He says he would wish Mr. Long should come to spend some time here to establish his firm; that then he might return to Turin and Henry come here to take his place. He believes that in this way they might form a business between this and Turin, from which they would secure more benefit than they now do.

He tells me that Mr. Long, before leaving, was much in love with the second of the daughters of Mr. Sanders.

23 Lundy.

Le Brigadier McLean a diné chés moy et m'a dit qu'il connoissoit L'auteur des deux Lettres cy dessus qu'il les lui avoit montrée avant de les envoyer à l'imprimeur qu'il étoit Ecossois, et qu'il devoit passer au printemps prochain en Canada.

Mardy 24.

Il a paru ce matin une reponse dans le *Morning Herald*, aux deux lettres qui y étoient inserées cy devant ou je suis attaqué fort malapropos.

Le Genl Bude et John Adair ont diné chés moy nous sommes allé auprès de Lady Amherst ou il y avait beaucoup de monde revenu a minuit. Gagné $\frac{1}{2}$ Guinée au wist.

25 Mercredi.

fait visite à M. Gage qui me parut inquiet sur la recherche qu'on fait des Contes de la derniere guerre.

Il me dit que le Major Gambell lui avoit dit que c'étoit M. Mazeret qui avoit s'exciter à Ducalvet à me pouruivre et a publié les deux Pamphlets.

fait visite au Genl Bough. A mon retour chés moy le Major Mathews me dit que M. Townshend étoit venu chés moy de la part de Son Pere Lord Sydney pour me dire que vrayemblablement la Commission de Gouv. General pour le Chev: Carleton seroit signée aujourd'hui, et qu'en meme temps les ordres pour que recusse les appointements de Lt General seroient aussi signés le meme jour. Diné chés Lady Holderness avec Mr Desrolles et Budé, Lady Holderness ma paru plus gaye qu'à l'ordinaire. Mon coché s'étant absenté j'ay été obligé de revenir et de rester chés moy, ou j'ay passé la soirée.

Jedy 26.

J'allay voir G^l Amherst que je communiquay le message que M. Townshend; m'avoit fait de la part de M. L. Sidney. Il me dit qu'il y avoit un ordre en Conseil pour former les instructions du G^l Carleton, que par raport à moy je devais etre content, mais qu'il étoit essentiel, que je baissasse les mains du Roy en même temps que Carleton.

Je fus chés Lord Sydney ou je vis son fils qui me dit que millord sabiloit, mais seroit à l'office à un heure, je l'y rencontray et il me dit qu'il n'étoit pas nécessaire que je baissasse la main du Roy que par raport à mes appointements du L. G. Ils seroient portés par M. Pitt dans l'extraordinaire des guerres, sans quoy l'opposition pourroit faire du bruit, que l'acte du Parlement à l'égard des Etrangers subsistant encore on ne pouvoit pas m'employer dans ce Pays, et que j'étois si haut dans la liste des Lt G^l qu'il seroit difficile de m'envoyer ailleurs que part à part aux papiers qui pouvoient se trouver dans la Gazette, que je ne devois point men inquietter, puisque je pouvois voir qu'on y a le soin le Roi même.

Je fus si tard à la Cour que je ne pus pas parler à la Réne le Roi ne me dit que deux mots & me parut fort embarrassé. Je vis presenter l'adresse & reviens chés moy ou j'ay passé la soirée. Lord Sydney me parut aussi embarrassé, je lui demanday a le voir le Lendemain. Il me nomme $9\frac{1}{2}$ heure.

Le Vendredy 27.

Je me rendis chés Ld Sydney à $9\frac{1}{2}$ heure du matin; Il n'étoit pas Levé, et je fus en attenance chés Budé, revenu chés Lord Sydney que je trouvay chés Lui, il me reçut très bien & en ministre, il me dit qu'à l'égard de mes appointem^{ts} de Lt Gen^l Ils seroient compris dans l'estimat des Guerres que ceci convenoit mieux aux ministres qu'autrem^t lorsqu'on voudroit économiser on pourroit me donner un gouvernem^t & que j'ay perdrais. Il me dit ensuite qu'il avoit dessein de proposer quelque chose en faveur de moy et de Prevost sans doute un naturalisation entière dont je ne me soucie pas. Je restay à dejuner chés Lui ou Lord Bolton se trouvait. La conversation fut generale. Il me fit connoitre L'Etoile du matin le Duc de Montague, & il minvitta a diner Lundy prochain. J'allay faire visite au Seibreight, G^t Trappand, et je passay chés Rigaud. Je rencontray le General Amherst à mon retour à qui je fis part de la conversation que j'avois eu avec Ld Sydney; Il me conseilla de me trouver au Levé lorsque Carleton baisseroit la main du Roi & je crois qu'il a Raison.

23. *Monday.* Brigadier McLean dined with me. He told me that he knew the author of the letters above referred to; that he had shown them to him before sending them to the printer; that he was a Scotchman and was to go to Canada next spring.

www.libtool.com.cn

24. *Tuesday.* There appeared this morning in the *Morning Herald*, a reply to the two letters previously published there, in which I am attacked severely. General Budé and John Adair dined with me. We went to Lady Amherst's, where there was a crowd. Returned at midnight. Won half a guinea at whist.

25. *Wednesday.* Paid a visit to Mr. Gage, who seems uneasy respecting the investigation being made into the accounts for the last war. He says that Major Ganble told him it was Mazeres who had incited Du Calvet to sue me and to publish the two pamphlets.

Visited General Bough. On my return home Major Mathews told me that Mr. Townshend had come to my house on behalf of his father Lord Sydney to say that probably the commission of Governor General for Sir Guy Carleton would be signed to-day, and that at the same time the order that I should receive the allowances of lieutenant general would also be signed the same day. Dined at Lady Holderness's with Desrolles and Budé. Lady Holderness appeared more cheerful than usual. My coachman having absented himself I was obliged to return and remain at home, where I spent the evening.

26. *Thursday.* I went to see Lord Amherst, that I might communicate the message which Mr. Townshend had given me on behalf of Lord Sydney. He said there was an Order in Council to prepare the instructions for General Carleton; that with respect to me I should be satisfied, but that it was essential I should kiss the King's hand at the same time as Carleton.

Went to Lord Sydney's, where I saw his son, who said my Lord was dressing but would be at the office at one o'clock. I met him there and he told me that it was not necessary I should kiss the King's hand; that in regard to my allowances as Lieutenant General they would have to be charged by Mr. Pitt on the war extraordinaries, or otherwise the opposition might make a noise; that the Act of Parliament respecting foreigners being still in force, I could not be employed in this country and that I was so high in the list of Lieutenant Generals, it would be difficult to send me elsewhere; that I need not trouble myself about what appeared in the newspapers, as I could see that the King himself was interested.

I was so late at the Court that I could not speak to the Queen; the King said only two words to me and seemed much embarrassed. I saw the address presented and returned home, where I passed the evening. Lord Sydney appeared to me to be also embarrassed. I asked to see him next day. He named half past nine.

27. *Friday.* I went to Lord Sydney's at half past nine in the morning. He was not up, so I waited at Budé's; returned to Lord Sydney's, whom I found at home. He received me very well and as a minister he told me that, with respect to my allowances as Lieutenant General, they would be included in the war estimates, that this would be more convenient to the Ministers; when it was desired to economise could be given a Government, by which I would lose. He said then that he intended to propose some thing for my benefit and that of Prevost, no doubt complete naturalisation, for which I do not care. I remained to breakfast, at which Lord Bolton was present. The conversation was general. He made me acquainted with the "Star of the morning," the Duke of Montague, and invited me to dinner on Monday next. I went to pay a visit to Seibright and called on Rigaud. I met General Amherst on my return and told him part of the conversation I had had with Lord Sydney. He advised me to be at the levée when Carleton is to kiss the King's hand, and I believe he is right.

Venu diner chés moy apres quoy j'allay chés mon neveux qui estoit allé à Hampstead ; et chés M. Corre qui ne se trouva pas au Logy.

www.libtool.com.cn 28 Samedi.

Je menay le Genl Robertson pour voir le portrait de Joseph qu'il trouva bon, nous allames de la chés le genl Gage, qui me paroit m'aigrir tous les jours. L'affaire des Contes du Shérif, et des Siens Vinrent sur le tapis, et il parut inquiet. Robertson me dit en nous retirant que le chev. Carleton & Watson avoient des informations certaines de plusieurs malversations qui s'étoient commises en Amérique par les chefs des differents departements, & que les commissaires des Contes en estoient informés. Il n'e noma un Mr X de Long Island a qui ch: (Sheriff?) avoit fait present de quelques piéces d'argenterie, entr'autre un bole d'argent dans lequel il faisoit du pountsh pour regaller les personnes qui venoient le voir, sur ce qui quelques personnes louoient le present de Sh: Il dit qu'il auroit pu Lui en faire un beaucoup plus considerable puisque pour £2000 d'argent qu'il lui avoit envoyé, Il lui avoit procuré des certificats aussi bon qu'il étoit possible d'en faire ou Il auroit £5000 de profit. J'allai le voir à la Comédie avec Robertson, y revins chés moy apres onze heures.

30 Dimanche. (29)

Le temps paroissant pluvieux je passai la plus grande partie de la matinee chés moy.

Sr George Pocock vint me faire Visite, & me dit que le chev. Carleton lui avoit dit que ses commisions comme Gouver. Général n'étoit point signés.

Je rencontray le Go Trayon à la Promenade revenu chés moy ou le Mr Scott, & Capt. Collin vinrent me voir, le dernier me dit qu'il avoit appris la veille que l'Envoyé de Prusse avoit présenté un memoire au ministre de la part de son maitre, par lequel il l'informait que S. M. Prussienne ayant resollu de faire retablir le Prince d'Orange dans tous ses droits en Hollande, Elle souhaittoit de savoir quel parti le Roy et la Nation prendroit à cet égard, la nouvelle me parait sans fondemt.

J'allai à 8 heures du soir chés le chev. York que je trouvoy au logis—mais mylady n'étoit pas visible—J'y restay plus d'une heure. Il ne savoit rien du memoire que le Ministre de Prusse devoit avoir présenté (ce qui me persuade que la nouvelle est fausse). La Conversation roula sur les affaires de la Hollande et il paroit attribuer tous les desagrements que le Prince dorange et essaye à sa foiblesse. Il a souffert des indignités qui l'ont aville et il se relevera difficilemt.

Il me parla beaucoup des desagrements qu'il avoit essayé au sujet de son Regimt de Dragon, Il en avoit parlé au Roy qui paroissoit entendre la chose et approuvée sa Conduite cependant les Ministres ou le Viceroy faisoit tout ce qu'il vouloit.

Nous tombames enfin sur mon chapitre et il me dit que je devois être parfaitement satisfait qu'ayant obtenu le ruban marque aussi essentielle de la satisfaction du Roy, et obtenait le paye de Lt Genl Je serois plus heureux que si j'avais continué dans le Gouvernemt que comme Etranger & n'ayant point d'appuy par la en Angleterre, je me verrois toujours exposé à la caballe, &c.

Il blamoit beaucoup les dépenses Enormes que la nation faisoit dans chaque Guerre, qui les mettoit hors d'Etat de la pousser lorsqu'elle avoit les plus grands avantages. Il espere que l'Examen des Contes occasionera quelques reglements avantageux sur ce sujet,—et il croit comme moy, que quoique nous ne soyons pas fort en état de faire la guerre, nous nous y verrons cependant forcé, par l'aviditté de nos marchands et de nos marins.

passé chés madame Robertson que je ne trouvoy pas chés elle, revenu chés moy 10½ heures.

La premiere branche de la maison d'Orange a founny les plus grands Princes qu'il y ay eu en Europe, mais celle de Frise paroit avoir degénééré.

30 Lundy.

Été chés Budé qui ne se portoit pas bien. Je crois que l'arrivée imprevue de Prince Guillaume l'avoit inquietté, je le trouvoy avec le General Grinville, & lorsque j'entray je fus surpris de ce qu'il dit à Tuckfield, de le prevenir de ce quelqu'un vouloit entrer. Il me parut de mauvaise humeur, nous allons ensemble voir des chevaux qui ne lui plurent pas.

Dined at home, after which I went to my nephew's, who had gone to Hampstead and to Mr. Coore's who was not in his lodging.

28. *Saturday*. I took General Robertson to see Joseph's portrait, which he liked; from there we went to General Gage's, who seems to get leaner every day. The business of Sheriff and his accounts came up and he appeared uneasy. Robertson told me in going out that Sir Guy Carleton and Watson had positive information of several malversations committed in America by the heads of the different departments, of which the Commissioners of Accounts had been informed. He mentioned to me a Mr _____ of Long Island, to whom Cb. (Sheriff?) had made a present of some pieces of silver ware, among them being a silver bowl, in which he made punch to entertain those who came to see him, upon some persons praising Sh. (Sheriff's) present, he said he might have made one of much greater value, since for £3,000 of money he had sent him, he had procured certificates, as good as could possibly be got, by which he had £5,000 profit. In the evening went to the play with Robertson, returning home after 11 o'clock.

29. *Sunday*. The weather looking rainy, I spent the greater part of the morning at home.

Sir George Pocock came to pay me a visit, and said that Sir Guy Carleton told him that his commission as Governor General was not signed.

Met General Tryon on the promenade. Returned home, where Major Scott and Captain Collin [Cullen?] came to see me. The latter said that he had learned the evening before that the Prussian envoy had presented a memorandum to the Ministry from his master, by which they were informed that His Prussian Majesty having resolved to re-establish the Prince of Orange into all his rights in Holland, desired to know what part the King and the Nation would take in this regard. The news appears to me unfounded.

Went at 8 o'clock in the evening to Sir [Joseph] Yorke, whom I found in his lodging, but my Lady was not visible. I remained more than an hour. He knew nothing of the memorandum which the Prussian Minister was to have presented (which persuades me that the news is false). The conversation turned upon the affairs of Holland and he appears to attribute all the difficulties the Prince of Orange has experienced to his own weakness. He has suffered indignities which have dishonoured him and he will relieve himself with difficulty.

He spoke to me a good deal about the trouble he had met with on account of his regiment of Dragoons; he had spoken about them to the King who appeared to understand the thing. However, the Ministry, or the Viceroy, did all he wanted.

We fell at last on the subject of my affairs, and he told me I should be perfectly satisfied; that having obtained the ribbon, so essential a mark of the King's satisfaction and the pay of Lieutenant-General, I would be happier than if I had continued in the Government; that as a foreigner, and therefore without support in England, I would always be exposed to cabals, &c.

He blamed greatly the enormous expenses incurred by the nation in every war, which prevented pushing it when the greatest advantages offered. He hopes that the examination of the accounts will occasion some satisfactory regulations on this subject, and he believes, as I do, that although we are not in a position to make war, yet we may be forced into it by the eagerness of our merchants and sailors.

Called on Mrs. Robertson, who was not at home. Returned home at half past ten.

The elder branch of the house of Orange has furnished the greatest princes there have been in Europe, but that of Friesland appears to have degenerated.

30. *Monday*. Was at Budé's who was not well. I believe the unexpected arrival of Prince William has disturbed him. I found him with General Grenville, and was surprised when I entered at what he said to Tuckfield, to warn him that some one wished to come in. He seemed to me to be in bad humour. We went together to look at some horses, which did not please him.

Je rencontray Ld Amherst, avec qui j'eus une longue conversation sur les affaires du temps. Il jemit avec tous les honnêtes Gens de voir tous les meaux auxquels l'opposition paru exposer, le Roy ayant recommandé dans son arengue d'avoir attention à la flotte; a été cause que l'admiral Barrington a été fait Lt. G1 des marins ce qui lui donne un revenu de 16 à 1700 L. St. par année une employ qu'on avait refusé à Ld. Rodney et à l'admiral Payne étant résolu par Economie d'abolir cet Employ. fait visitte à S George Pocock, diné chés Lord Sydney avec Ld Morton, Sir W. Hoskin, le G1 Torrin. Lady Sydney a été fort polie à mon égard. Lady Brudenell et Lady Stopford vinrent apres diné avec Lady Chatam qui je trouvy fort jolie. Lady Stopford me remerciat des politesses que j'avais themoigné à son fils lorsqu'il fut à Quebec. Lord Morton me fit beaucoup de politesse et sir W. Hoskin beaucoup d'amitié. M. Townshend me remit avant le diner une Lettre de la part de Napier, concernant la promotion de Freeman, qui aura la compagnie dans le 24e Regt, le qui est fort heureux.

Mardy 31.

fait visitte au G. & Mde Carpenter & le Maj: Mulcaster. Je rencontroit le chev. Dick qui se rendait à l'office. Il me dit sur quel pied il s'était chargé de la direction des Contes, o'est à dire qu'il prevint Mr Pitt qu'il se feroit beaucoup d'ennemi, cependant qu'il feroit à cet égard tout ce qu'on exigeoit de lui, mais qu'il ne vouloit recevoir aucun salaire ni aucune récompense quelconque. Il me dit que je devois garder mon Tally, que je serais obligé de produire lorsqu'on me le demanderoit, ou que mon tour viendrait pour examiner mes vouchers, que M. le Ch: Carleton devant passer en Canada avait demandé que son conte fut examiner et qu'on l'avoit fait. Il me dit je ne sais a propos de quoy, qu'il n'y avoit aucune récompense a espérer dans ce pays, et qu'il faloit se contenter de la satisfaction d'avoir servy en honéthome.

revenu chés moy a 1½ M. et Mad. Prevost vinrent un moment apres et me dire qu'ils avoient resollu d'envoyer leur fils James à Halifax avec le Commander Gordon. Je trouvy le Genl un peu mieux. Il me dit que pour satisfaire sa Femme il feroit un tour à Henod en Bourgogne chés son beau père, mais qu'il reviendrait passer l'hiver dans ce Pays. Il se plaignoit beaucoup de l'insolence des agents et surtout de ce qu'ayent de son argent entre leurs mains, Il lui font payer l'intérêt de ce qu'il doit pour l'habillemt, que ces Messrs le voyant soutenu de Ld Amberst s'en prevaloient trop.

Après la mort de son frère Il chargea M. Grant [Graul] son beau père de finir conte avec sa belle sœur à laquelle pour evitter des difficultés, Il abandonna le ¼ de ce qui lui revenoit, Il me dit que son frère avoit toujours trouvé le moyen de s'emparer de tout ce qui lui appartenoit de même qu'a son frère Marck

Il faut cependant que je tache de me faire payer de ce qui revenoit de Bonquet pour ces qu'on a retiré de la malheureuse entreprise de la Caroline que je crois monte à 500 L. St.

L'American Clob commença aujourd'huy, je me rendis à 5 préseise et je trouvy tout le monde à table. Ce qui me fait espérer que dans la suitte, on suivroit l'ancienne institution qui est que le dîner soit servy précisément à 5 heures et qu'il finisse à huit tout le monde fut gay, et il ne se passa rien de remarquable. payé 17 sh: et 5 pr n'avoir pas été au dernier club revenu chés moy à 9½.

1. février Mardy.

fait visitte à Lord Adam Gordon. Clark & son fils ont diné chés moy. J'ay écrit à Mr Genevay et Mr Fairchild.

2. Jedy.

été au levé de M. Pitt qui étoit fort nombreux été à la cour qui étoit fort nombreux dîne chés M. Desrolles avec Bude M. de Salis, Madre, M. Blasset, M^{rs} Salia. Il y eut assemblée le soir on il y trouva beaucoup de monde, joué un Robert avec Lady Albermall contre Lady Essex et Budé, gagna deux guinées revenu chés moy à 11 heure. Lord Amherst me dit qu'on avoit mis un capt. à la demy paye du 2e Batt. dans le mien à la place de Kelly qui est mort à la Jamaïque. Je lui dit qu'on ne cessoit de nous maltraiter. Il l'avoua mais ne fera jamais rien en notre faveur. Je revins chés moy à 1½ heure fort fatigué.

I met Lord Amherst, with whom I had a long conversation about the times. He is groaning with all honest men over the evils which the opposition appeared to expose. The King having recommended in his speech that attention should be paid to the fleet, was the cause of Admiral Barrington being made Admiral of the fleet (?) which gives him an income of £1,600 or £1,700 sterling a year, an office which had been refused to Lord Rodney and to Admiral Payne, as it had been resolved for the sake of economy, to abolish the office.

Visited Sir George Pocock; dined at Lord Sydney's with Lord Morton, Sir W. Hoskin and General Torin (Torrens?), Lady Sydney was very polite towards me. Lady Brudenell and Lady Stopford came after dinner with Lady Chatham, whom I found very pretty. Lady Stopford thanked me for the politeness I had shown to her son when he was at Québec. Lord Morton showed much politeness towards me, and Sir W. Hoskin great friendship. Mr. Townshend handed me, before dinner, a letter from Napier respecting Freeman's promotion, who will have the company in the 24th Regiment, which is very fortunate.

31. *Tuesday.* Visited General and Mrs. Carpenter and Major Mulcaster. I met Sir John Dick, who was going to the office. He told me on what footing he was entrusted with the direction of the accounts, that is, he warned Mr. Pitt he would make many enemies; however, that in this respect he would do all that was required of him, but that he would not receive any salary or recompense whatever. He told me I must keep my tally, which I would be obliged to produce when asked for, or when my turn came for the examination of my vouchers; that Sir Guy Carleton, as he was going to Canada, had asked that his account should be examined, which was done. He told me, I do not know for what reason, that there was no reward to be hoped for in this country, and that one must be content with the satisfaction of having served as an honest man.

Returned home at half past one. Mr. and Mrs. Prevost came a moment after, to tell me that they had resolved to send their son James to Halifax with Commander Gordon. I found the General a little better. He told me that, to satisfy his wife, he would take a trip to Henod in Burgundy to his father-in-law's, but would return to pass the winter in this country. He complained greatly of the insolence of the agents and especially about his money they have in their hands. They make him pay interest for what he owes for clothing, as these gentlemen, seeing themselves supported by Lord Amherst, take advantage of it.

After the death of his brother, he entrusted Mr. Grant, [Gru] his father-in-law, to close the account with his sister-in-law, and to avoid difficulties, he relinquished one-third of what should come to him. He said his brother had always managed to get hold of all that belonged to him as well as to his brother Mark.

I must, however, try to get paid what belonged to Bouquet of what was saved from the unfortunate speculation in Carolina, which I believe comes to £500 sterling.

The American Club began to-day. I went at five o'clock precisely and found every one at table, which made me hope that in future the old fashion would be followed, of having dinner served precisely at five and finished at eight. Every one was cheerful; nothing remarkable passed; paid 17s. and 5s. for not being at the last club. Home at a quarter past nine.

February.

1. *Wednesday.* Visited Lord Adam Gordon. Clark and his son dined with me. Wrote to Geneva and Mr. Fairchild.

2. *Thursday.* Was at Mr. Pitt's levée, which was numerously attended. Was at Court, also numerously attended. Dined at Mr. Desrolles with Budé, Mr. de Salis, Madre, Mr. Blasset, Mrs. Salis. There was an assembly then in the evening, well attended. Played a rubber with Lady Albemarle, Lady Essex and Budé; won two guineas. Returned home at 11. Lord Amherst told me that a half pay captain of the second battalion had been put into mine instead of Kelly who died in Jamaica. I told him they did not give up ill using us. He acknowledged it, but will never do anything in our favour. Returned home at half past one, very tired.

3. Vendredy.

J'envoyay du Gensing à L^d Dartmouth et le premier Vollume de l'abé Winkelman au chev. Dick, fait visite au Baron Alvensleben—beaucoup promené et revenu chés moy ou je trouvoy une lettre de Baby et de Guky.

donne 2. guinées à Mrs Emery pr la bourse des pauvres Suisses Il me parla d'un certain Maigro qui pourrait me convenir pr domestique.
passé la soirées ches moy.

4. Samedy.

Été ches Rigaud, au sujet de la gravure du portrait de Joseph, j'allay ensuite à Hamps^d & rencontray mon neveux à mon retour le Brig. McLean me dit le matin que la Personne qui avoit escrit les deux premieres Lettres dans le Morning Herald contre le Duc de Richem^d & le Chv. Carleton avoit été ches Lui ce matin & lui avoit dit qu'ayant voulu répondre à la Lettre que les amis de Carleton avoit eorit, il l'avoit porté à l'imprimeur qui lui avoit dit qu'il ne pourrait pas l'imprimer à moins qu'on ne lui donnat audela de 5 guinées que ceux qui avoient répondu aux premières Lettres lui avoient donné cette somme, et qu'il ne pourroit rien inserer dans son papier à moins qu'on ne lui donnat davantage. Cecy pourroit faire soupçonner par quels moyens tous les exemplaires (qui faisoient une relation de la guerre d'Amérique & particulièrement de l'Invasion du Canada) ont disparu on n'en trouve plus aujourd'huiy.

5. Dimanche.

Promené le matin en voiture. Lord Gage & L^d Dartmouth me firent visite, passé la journée à lire des lettres de Bq. [Bouquet ?] & Prevost de 1755 & 56, & quelques unes de Momt^e [Monette ?] qui ont réveillé mon ancienne amitié pour Elle. Je devois lui écrire ou la voir à mon passage au Continent. Le Brig^{dr} McLean me dit hier que le chef de justice Livius étoit soubconné, avec raison, d'avoir écrit les deux Lettres adressées il y a quelques jours au Duc de Richmond, Le Major Mathews me fit voir une Lettre qu'il avoit reçue du Brig^{dr} Hope, avec une incluse au L^d Sydney pour le recommander pour succéder au Major Carleton (qu'on croyoit mort) comme ranger of the woods. Je crains qu'il n'y aye beaucoup d'artifice dans la condui te de Hope.

6. Lundy.

promené à cheval été bien moullie Budé dine ches moy, nous avons été au concert du Baron ou il y avoit beaucoup de monde de la nous sommes allé ches Lady Amherst revenu a 11 $\frac{1}{2}$ je n'ay point joué.

Le M. Mathews fut ce matin ches Nepean pour lui montrer la Lettre de Hope. — Il lui dit que Cton n'étoit pas mort, mais qu'il ne devoit pas bruler la Lettre à L^d Sydney, qu'il devoit faire connoissance de Carleton, que tout en Canada dependroit de lui dans la suite, James Grant qu'il rencontroit lui dit que la Commission de Carleton comme Général étoit signée; mais non pas celle comme Gouverneur.

Le Cap^{te} Twiss vint me faire visite, et me dit que le bord de L'ordonnance ne vouloit point le payer comme Commandant Ingénieur en Canada et que s'il n'avoit pas une fortune lui même Il seroit fort à l'étrôit, Carleton lui demandat s'il souhaitoit de retourner en Canada Il lui dit que non, et parceque je pus comprendre, Il quittera plutôt le service que de quitter Langleterre. Il n'approuve pas l'économie que le Duc [de Richmond] a étably à l'égard des officiers Ingéniéurs quicommandent dans des endroits ou on construit des ouvrages et ou par concequent les officiers qui commande, sont responsables pour les depenses.

Le qui commande le genie en Canada, propose de finir les ouvrages qui ont été commencés Il croit qu'il en coutera environ 16,000 L. St. pour mettre tout en état; et le Duc se persuade qu'il ne sera pas difficile d'obtenir cette somme.

Le G. Budé me parut s'interessier pour Mathews, je tacheray den tirer avantsge.

7. Mardy.

Promené à cheval venu ches moy ou j'ay passé la soirée, j'ay lu avec plaisir la derniere Campagne du Roi de Prusse.

3. *Friday.* Sent some gensing to Lord Dartmouth and the first volume of the Abbé Winkelman to Sir John Dick. Visited Baron Alvensleben. Walked a great deal, and returned home, where I found a letter from Baby and Gagy.

Gave two guineas to Mr. Emery for the subscription for the poor Swiss. He spoke to me of a certain Maigro who might suit me as a servant. Spent the evening at home.

4. *Saturday.* Was at Rigaud's respecting the engraving of Joseph's portrait, then went to Hampstead and met my nephew. On my return, Brigadier McLean told me that the person who had written the two first letters in the *Morning Herald* against the Duke of Richmond and Sir Guy Carleton had been at his house that morning and told him that wishing to answer the letter written by Carleton's friends, he had carried the answer to the printer, who told him he could not print it unless he was given upwards of five guineas; that those who had answered the first letters had given him that sum and that he could insert nothing in his paper unless he was given more than that. This raises suspicion as to the means by which all the copies (which gave a relation of the war in America and particularly of the *Invasion of Canada*) have disappeared, as none can now be found.

5. *Sunday.* Took a drive in the morning. Lord Gage and Lord Dartmouth paid me a visit. Spent the day in reading letters from B. (Bouquet) and Prevost of 1755 and '56 and some from Monette (?) which reawakened my old friendship to her. I must write her, or see her on my way to the continent. Brigadier McLean told me yesterday, that Chief Justice Livius was suspected, with reason, of having written the two letters addressed some days ago to the Duke of Richmond. Major Mathews showed me a letter he had received from Brigadier Hope, with an enclosure to Lord Sydney, recommending him to succeed Major Carleton (believed to be dead) as Ranger of the Woods. I fear there is a good deal of trickery in Hope's conduct.

6. *Monday.* Took a ride and got soaking wet. Budé dined with me. Went to the Baron's concert which was well attended. From there we went to Lady Amherst's; home at half past 11. I did not play.

Major Mathews was this morning at Nepean's to show him Hope's letter. He told him that Carleton was not dead, but he was not to burn the letter to Lord Sydney; that he should make the acquaintance of Carleton as every thing in Canada would by and bye depend on him. James Grant, whom he met, told him that Carleton's commission as General was signed but not that as Governor.

Captain Twiss called and told me that the Board of Ordnance would not pay him as commanding engineer in Canada, and that if he had not a fortune himself he would be very ill off. Carleton asked him if he wished to return to Canada; he said no, and by what I understand he will sooner quit the service than leave England. He does not approve of the economy the Duke [of Richmond] has established in respect to engineer officers who command in places where works are under construction, and where, consequently, the officers commanding are responsible for the expenses.

The who commands the engineers in Canada proposes to finish the works which have been begun. He believes it will cost about £16,000 sterling to put them all in condition and the Duke is convinced that it will not be difficult to obtain that sum.

General Budé appears to be interested in Mathews; I will try to draw some advantage from it.

7. *Tuesday.* Rode out; came home where I spent the evening. I read with pleasure the last campaign of the King of Prussia.

8. Mercredi.

Été en voiture à Hampstead. Mon neveu est venu chez moy et me fait voir une Lettre de Son Père qui tire sur lui pour l'acquisition qu'il a faite pour mon Conte du Pié de M^{de} Lavoie de Clindy, de la somme de £280 St. que je trouve tres cher.

Je l'ay chargé d'écrire à M. Mandrot, pour connoître le caractère du fils de DelVotz. [Devos ?]

Mon neveu me paroît avoir dessein de faire quelque chose pour son frère Henry et la maison de Turin en général.

Reçu une Lettre de M. Wauilliams de N.-Y. Il n'a pas pu voir Levingston, mais il a remis ma Lettre à Son Père.

Le Capitaine Hutchins à qui il a remis ma Lettre lui a promis de faire tout ce qu'il pourroit pour mes Interets dans la Province de Pensilvanie—passé la soirée chez moy.

Jedy 9.

Été à la cour où je fus fort tard on dit que lorsque leurs majesté arrivèrent il n'y avait presque personne dans la salle. La Réne me demandat à quelle heure j'étois arrivé, je lui répondois que j'avois été plus d'un heure et demy en chemin et qua la fin j'avois été obligé de laisser ma voiture au milieu de St. James St., pr prendre une chaise à porteur que malgré çà j'avois eu becoup de péne d'arriver à St. James à 3 heures. La cour étoit fort nombreuse et il me paroît que je n'y avois jamais vu de belles Femmes.

Diné chez Lord Amherst ou il y avoit beaucoup de monde, le cheva. Yong a coté de qui j'étois me parla beaucoup de mê ne que le G^l Fosset qui me dit qu'il avoit écrit une longue Lottre en réponse d'une que le Brig^r Hope lui avoit écrit au sujet des manœuvres des Truppes qu'il paroissoit que tous ceux qui avoient servy en Amérique étoient pr des mouvements vifs sans penser, qu'il conviendroit toujours d'avoir un corp solide derrier lequel l'Infanterie legere put se rallier j'approuvay son avis, Il me dit qu'il avoit dissuadé le Roy de prendre l'avis de quelques vieux généraux, et je crois qu'il travaille à former une espece de Reglem^t sur ce sujet. Je Lui dit que toutes ses pénes seroient inutile, si on ne tenoit pas la main à ce qu'il fut exactement suivy, et défendu sous pénes à quel commandant du corps que ce fut, d'executter d'autres manœuvres. retiré chez moy à 9 heures.

10. Vendredy.

promené à pied. Bude a diré chez moy & nous sommes allé passer la soiréee en semble chez Madame Morisson ou j'ay perdu une guirée.

11. Samedy.

fait une grande Promenade à cheva^l, mon neveu ma envoyé mon madere, 11 caisses Madere de 12. grand : bout : chacun et une Pipe bien remplie. Je mis le tout (excepté une caisse) dans ma cave sous l'Eglise. Le Col. Small est arrivé, toujours rempli de compliments. Fait une longue Promenade à cheval, diné chés moy, passé la soiréee chés le G^l Robertson.

12. Dim.

fait une visittte avec le G^l Robertson au G^l Prevost, que je ne trouvay pas mieux, madame me fit voir une Lettre de son Père qui les invite à passer en France au Printemps prochain pour aller ensemble aux eaux de Bourbon. Diné chez le G^l Robertson revenu chés moy de bon heure. Nous eumes beaucoup de conversation sur les affaires de l'Amérique. Il est très bien informé de ce qui s'est passé au Sud, Il me dit que je devois faire un conte des Rations & du bois, que les autres commandant en chef avoient reçu au Sud pendant la guerre, & de le faire voir aux commissaires des Contes How & Clinton ont toujours tiré au de la de cent Rations par jour & autant de bois qu'ils pouvoient bruler.

M^{de} Mad^e Morisson me dit avant hier qu'elle avoit appris de Sr John Boyd qu'il y auroit une Instalation au Printemps, et qu'elle me prioit de les inviter au Ball.

13 Lundy.

Megro est entré à mon Service sur le pied de maitre d'antel & de valet de chambre, je lui ay promis 40 guinées de Gage par année sur la condition qu'il n'auroit aucun droit à me depouillé ni aucuns percuists de quelle nature que ce puisse être.

8. *Wednesday.* Drove to Hampstead. My nephew came to my house and showed me a letter from his father who is drawing upon him for the purchase he made on my account of Madame Lavie de Clindy's meadow, for the sum of £385 sterling, which I think very dear.

I desired him to write Mr. Mandrot to ascertain the character of the son of DelVotz (Devos?).

My nephew appears to intend doing something for his brother Henry and the Turin firm in general.

Received a letter from Mr. Williams from New York; he has not been able to see Livingstone, but has handed a letter to his father.

Captain Hutchins, to whom he sent my letter, promised to do all that he could for my interest in the Province of Pennsylvania; spent the evening at home.

9. *Thursday.* Was at court where I was very late. It is said that when their Majesties arrived scarcely any one was in the room. The Queen asked me at what time I arrived. I answered that I had been more than an hour and a half on the road and that at last I had been obliged to leave my carriage in the middle of St. James street and take a sedan chair. That in spite of this, it was with great difficulty I had reached St. James' at three o'clock. The court was crowded, and it seemed to me that I had never seen so many beautiful women there.

Dined at Lord Amherst's, where there was a large company, Sir George Yonge, to whom I sat next, spoke to me a good deal, as did General Fosset (Fawcett), who told me he had written a long letter in answer to one which Brigadier Hope had written him respecting the manœuvres of the troops, as it appeared that all those who had served in America were for rapid movements without thinking it necessary to have a solid body behind which the light infantry might rally. I approved of his advice. He told me that he had dissuaded the King from taking the advice of some of the old generals and I believe that he is engaged in drawing up a kind of regulation on the subject. I told him that all his trouble would be useless unless care were taken that it should be followed exactly and that every commander of a corps, without exception, should be forbidden under penalty from executing any other manœuvres. Went home at nine o'clock.

10. *Friday.* Took a walk. Badé dined with me, and we went to spend the evening at Mrs. Morrison's, where I lost a guinea.

11. *Saturday.* Took a long ride. My nephew sent me my Madeira, 11 cases of 12 large bottles each, and a pipe well filled. I put the whole (except one case) in my cellar under the church. Colonel Small has arrived, still full of compliments. Took a long ride. Dined at home; passed the evening at General Robertson's.

12. *Sunday.* Paid a visit with General Robertson to General Prevost, who is no better. His wife showed me a letter from her father inviting them to come to France next spring to go together to the Bourbon waters. Dined with General Robertson and went home early, we had a good deal of conversation on the affairs of America. He is very well informed for what took place in the South. He said I should make up an account of the rations and wood which the other commanders-in-chief had received in the South during the war and show it to the commissioners of accounts. Howe and Clinton have always drawn upwards of 100 rations a day and as much wood as they could burn.

Mrs. Morrison told me the day before yesterday that she had learned from Sir John Boyd there would be an installation in spring and begged me to invite them to the ball.

13. *Monday.* Megro entered my service in the capacity of butler and valet. I have promised him 40 guineas a year of wages on condition that he shall have no right to take any perquisites of any kind.

Promene à cheval au Parc Mrs Watts le chev. Napier Dr Baker & Dr Brown ont diné ches moy.

Passé la soirée ches le Col. Leland, avec le G. Peterson, Rainsfort, le Capt. des vaisseau de guerre sa feme, sa fille, Troyon sa femme sa fille, Madame Arnhold.

La compagnie se figuroit que le Prince de Galle est marié avec Madame Fitzherbert et en prevoient concéquences les plus fatalles pr L'Etat.

14. Mardy.

Été au club. Lord Shouldom President qui ma nom me pr son successeur, nous etions 18 Personnes—passé la soirée ches moy ou je suis revenu à 10 heures le diné et la compagnie fort bonne.

15. Mercredy.

Je rencontray Lord Amherst au Parc et Lui remit la Lettre du Capt. Hanzard. Je rencontray ensuite le G^l C^{ton} qui me dit n'étant pas allé à Windsor il n'avait pas vu le R. de quelque temps mais qu'il pouvoit m'assurer que le Chev. C^{ton} n'était pas un de ses Favoris, que le R. n'était pas content des prententions énormes qu'il formoit, qu'il le croyoit honethome mais qu'il ne concevoit pas comment Il pouvoit avoir de telles idées. Le G^l me dit aussi que le chevalier était brouillé avec son frère parceque celui cy s'était flatté d'être gouverneur de Québec. Il me demandat si mes affaires etoient finies, je Lui dis que non, sur quoy il me dit que je devois avoir les appoints de L. G. Il se figuroit que j'avois epargné de l'argent, parceque Clinton en avait beaucoup apporté d'Amérique, Je lui fis comprendre que nos payes avoient été bien différentes, qu'outre ça Clinton avait tiré toutes ses Provisions des magazins du Roy, et toutes ses fournitures des magazins du BarrackMaster général et peut hetre du Q. M. G. Il parut comprendre la Différence de nos positions. Il me fit connoitre le caractère bisare de Clinton, sa conduite vis a vis du Duc de Newcastle et de Lui.

Je menay Davidson ches Rigaud et je rencontray les Messrs Pollon que je menay ches Romarden, on me Volla mon mouchoir.

passé la soirée ches Mad^e Robertson ou il y avait grand monde, joué 3 Robert et gagné 3 guinées.

16. Jedy.

Je fus à la cour qui fut fort brillant, j'y trouvay le chev. Carleton à qui je dis que lorsqu'il yroit en Canada Il y trouveroit mon équipage, ma chaise de Poste et 12 chevaux, qui seroient fort à son service; Il me demanda qui etoit mon agent je lui nommay Chandler, et il me dit qu'il nomeroit Dunn, qui apprecieront les choses, et sur ce que je lui offrit ma maison de Montgomery. [Montmorency] Il me dit que Lady Carleton ne voudroit pas la prendre pour aucun prix a cause de ses Enfants.

Davissou qui a diné ches moy me dit que Mr Molissard Lui avoit dit qu'il seroit nommé pour recouvrir les Dettes de Cochran, que les Drummond avoient acquis beaucoup d'Interest auprès des ministres par le mariage de leur fils avec

Il me dit qu'il avoit ordre d'envoyer pour 8000 L. St. de presents pour les Indiens. (ce qui est absolument inutile) Il me dit aussi qu'il avait obtenu le contrat pour fournir des Provisions pour la Nouvelle Ecosse, qu'il a doit donner ordre d'envoyer 200 pipes de madere en Canada.

Il pareit être grand enemy de Dunn, Twiss & Shanks.

Le G^l Murray me fit visite & déjouna ches moy. Il me fit Compliment sur le Ruban & me dit Combien Il s'interressoit pr Matieu [Mathews] & qu'il feroit usage de mon nom auprès de Ld Sydney.

17 Vendredy fev. 86.

fait visite au G^l Murray, Lady Holderness, Dr Minster, Lord Hopton, Capt. Twiss. Je rencontray M. Townshen qui me dit que l'advocat et le solliciteur général faisoient des difficultés, sur ce que le ch. Carleton ne pouvoit pas Commander hors de sa Province dans les autres. Je suppose qu'il entendoit dans le Civil uniquement car Il n'y comprenoit rien lui-même.

Rode in the park. Messrs. Watts, Sir James Napier, Dr. Baker, and Dr. Brown dined with me.

Spent the evening at Colonel Leland's, with General Paterson, Rainsforth, Captain of the Royal Navy, his wife and daughter, Tryon, his wife and daughter, and Mrs. Arnold.

The company believed that the Prince of Wales is married to Mrs. Fitzherbert and anticipated from it the most fatal consequences to the State.

14. *Tuesday.* Was at the Club. Lord Shuldhham presided, who has named me as his successor. We were 18 persons. Spent the evening at home, to which I had returned at 10 o'clock. The dinner and company were good.

15. *Wednesday.* I met Lord Amherst in the Park and handed him Captain Hazard's letter. I then met General Cton (Carleton) who told me that not having gone to Windsor, he had not seen the King for some time, but that he could assure me that the Chev. Ctn. (Sir Henry Clinton) was not one of his favourites, that the King was not satisfied with his enormous pretensions, that he believed him to be a man of probity, but could not conceive how he could have such ideas. The General told me also that Sir Henry was at variance with his brother, as the latter had flattered himself with being Governor of Quebec. He asked if my own business was settled, I said no; on which he said I was to have the allowances of a Lieut. General. He imagined that I had saved money, because Clinton had brought back a large amount from America. I made him understand that our pay had been very different; that, besides, Clinton had drawn all his provisions from the King's magazines and all his supplies from the Barrack Master General's stores, and perhaps from the Quartermaster General. He appeared to understand the difference of our positions. He made me acquainted with Clinton's odd character, his conduct towards the Duke of Newcastle and himself.

I took Davison to Rigaud's, and met the Messrs. Pallon, whom I took to Romarden (?) My handkerchief was stolen.

Spent the evening at Mrs. Robertson's, where there was a large number of people. Played three rubbers and won three guineas.

16. *Thursday.* Was at Court, which was very brilliant. I found Sir Guy Carleton there, and told him that when he should go to Canada, he would find there my carriages, post chaise and twelve horses, which would be much at his service. He asked who was my agent and I named Chandler; he said he would name Dunn, who would appraise the articles, upon which I offered him the house at Montmorency, but he said Lady Carleton would not take it at any price, on account of her children.

Davison, who dined with me, said that Molissard had told him that he would be appointed to recover Cochrane's debts; that the Drummonds had gained great interest with the Ministers on account of the marriage of the son with

He said he had orders to send to the amount of £8,000 sterling in presents for the Indians (which is absolutely useless), and also that he had obtained the contract to supply provisions for Nova Scotia, and that he is to give an order to send 200 pipes of Madeira to Canada.

He seems to be a great enemy to Dunn, Twiss and Schanks.

General Murray visited and breakfasted with me. He complimented me on the ribbon, and told me how greatly interested he was in Matieu (Mathews) and would make use of my name with Lord Sydney.

17. *Friday.* February 1786. Visited General Murray, Lady Holderness, Dr. Munster, Lord Hopeton, Captain Twiss. Met Mr. Townshend, who told me that the advocate and solicitor general were making difficulties, in respect that Sir Guy Carleton could not command out of his province in the others. I suppose that what he heard was in regard to civil matters only, for he does not understand anything about it himself.

18. Samedi.

Je menay le Lt Wolf chez le Ld Amherst qui promet de le recommander au Carleton et au Col. Davis, qui comandra en Canada—passé chez mon neveu qui me dit avoir écrit à son Père & à son frère au sujet du jeune Devos, & de la famille.

Le Brigr Maclean, Small & le Col. Hunter ont diné chez moi, Small me dit des merveilles de Shipody & croit que je pouray me remettre en Possession, resté chez moy.

Party de Quebec le 16 N. 1734 à bord de
L'Atalante Capt^e Frelyn.

Jetté l'encre à Spithead le 8 janv. 85.

Arrivé à Londres le 9 d. au soir.

Le 10 va G. diné chez Lord Sydney—vû le G^l Lord Amherst.

Le Mardy 11^e Le Bri. McLean Capt. Cullin & vinrent me voir—Davison.

Je fus présenté au Roy le Mercredy.

Le Jedy invité & présenté à la Reine.

Le Vendredy.

Dimanche le 19 Fevrier, 86.

J'ai fait une promenade à cheval, diné chez le Baron Linda avec L. l. Holderness, M. Ma et M^{le} Dayrolles, M^{le} Hope, les ambassadeurs d'Autriche, de Russie, & le Conte Polonois, on s'est amusé, été de là chés M^d Robertson, et revenu.

Lundy 20^{me}.

Promené à pied, passé chez Rigaud, diné chés Lady Holderness avec M. et Mad. Bentinck, La fils de MyLd Athlone, un Mr Bentinck, Mr Bartelemy & Badé, été de là au concert du Baron Alvensleben, venu chés moy à 10 heures.

Reçu une lettre de M. Rose, concernant la Réduction que j'avois fait des commissaires, et une lettre de Mr de Riedesel du 10^e courant.

Mardy, 21.

Je fus avec M. Dayrolles faire visite à M. le Conte Adhemar. De là chés Mad^{me} Munster, Lord Amherst, le genl Roy, & le Col. Monk. Le cap^e Twiss vint me faire visite & se plaignit de ce que tous les officiers, bon & mauvais, étoient traittés également. Le Col. Cammel (qui étoit avec moy à Pensacole) ayant des contes a rendre au Col. ne voulut point les recevoir, et ces sortes de choses ne font aucun effet, et découragent les bons officiers; Twiss étant commandant Ingénieur a tiré sa paye comme tel pendant sept années, sans qu'on lui aye fait aucune objection, aujourd'huy on ne veut pas la lui passer en conte, et il faudra qu'il rembourse le surplus. ces négligences font tort au service, et déshonorent ceux qui conduisent les affaires.

Répondu à M. Rose de la Trésorerie, diné et passé la soirée chés moy.

22 Mercredy.

Je menay M. Dayrolles chés M. Rigaud. Il parut très content du portrait de Joseph. Je le conduisit de là chés Lady Holderness, et j'allay faire visite a Mad. Munster qui m'a parut fort affligée de ce que le Lt. Wolf doit aller aux Isles. Je fus ensuite chés Lord Amherst qui me dit qu'il devoit avoir conseil ce jour là pour fixer les Instructions de Carleton, et qu'il ne vouloit pas s'y trouver.

Passé la soirée chés Mad. Dayrolles, joué avec Lady Schand et deux des Ladies, perdu une couronne revenu chés moy à 11 heures.

23 Jedy.

Passé la matinée à arranger mes affaires. Le Cap. Twiss, les deux Mess^{rs} Grant, G. Davison, et le Lt. Wolf ont diné chés moy. Alexandre D. s'est fait exouser. passé la soirée au logis.

24 Vendredy.

Passé chés Bude & L. Amherst que je ne trouvoy pas chés eux. Cap. Kendy,^{1^e} Col. March, et le cap. Watts ont diné chés moy.

Été chés mon Banquier ou j'ay tiré 300 L. St. Passé la soirée chés moy.

18. *Saturday*. Took Lieutenant Wolfe to Lord Amherst's, who promised to recommend him to Carleton and to Colonel Davis, who will command in Canada. Called on my nephew, who said that he had written to his father and brother respecting young Devos and the family.

Brigadier Maclean, Small and Colonel Hunter dined with me. Small tells marvels about Shipody, and believes I could regain possession of it. Remained at home.

Left Quebec on the 16th November, 1784, in the Atalanta, Captain Frelyn.

Anchored at Spithead on the 8th January, '85.

Arrived at London on the evening of the 9th,

10th saw G., dined at Lord Sydney's, saw General Lord Amherst.

Tuesday 11. Brigadier McLean, Captain Cullen came to see me and Davison.

Was presented to the King on Wednesday.

On Thursday invited and presented to the Queen.

19. *Sunday*, February, 1786. Rode out. Dined at Baron Linda's with Lord Holderness, Mr., Mrs. and Miss Dayrolles, Miss Hope, the Austrian and Russian Ambassadors, and the Count a Pole. Was a good deal amused. Thence to Mrs. Robertson's and home.

20. *Monday*. Took a walk; called at Rigaud's. Dined at Lady Holderness's with Mr. and Mrs. Bentinck, son of my Lord Athlone, a Mr. Bentinck, Mr. Bartelemy and Budé. From there to Baron Alvensleben's concert, and home at ten o'clock.

Received a letter from Mr. Rose concerning the reduction I had made of the commissaries, and a letter from M. de Riedesel, of the 10th current.

21. *Tuesday*. Went with Mr. Dayrolles to pay a visit to Count Adhemar. Thence to Mrs. Munster's, Lord Amherst's, General Roy's and Colonel Monk's. Captain Twiss came to pay me a visit, and complained that all the officers, good and bad, were treated equally. Colonel Cammel (who was with me at Pensacola), having accounts to render to Colonel , he would not receive them. Things of this sort serve no purpose and discourage good officers. Twiss, being commanding engineer, drew his pay as such for seven years, without any objection being made. Now his accounts containing it will not be passed, and he must repay the excess. This negligence wrongs the service and dishonours those who manage its affairs.

Answered Mr. Rose, of the Treasury; dined and spent the evening at home.

22. *Wednesday*. Took Mr. Dayrolles to Rigaud's; he seems well pleased with Joseph's portrait. Took him to Lady Holderness's, and I went to visit Mrs. Munster, who seemed much distressed that Lieutenant Wolfe was to go to the West Indies. Then went to Lord Amherst's, who told me there was to be a council that day to settle the instructions for Carleton, and that he did not wish to be there.

Spent the evening at Mrs. Dayrolles'. Played with Lady Shand and two of the ladies; lost a crown. Home at 11 o'clock.

23. *Thursday*. Spent the morning in arranging my affairs. Captain Twiss, the two Grants, G. Davison and Lieut. Wolfe dined with me. Alexander D. (Davison) excused himself. Spent the evening in the house.

24. *Friday*. Called on Budé and Lord Amherst, neither of whom was at home. Captain Kendy (Kennedy), Colonel Marsh and Captain Watts dined with me. Drew £300 at my banker's. Spent the evening at home.

N.B. Les fortifications sont immobiles au lieu, que les vaisseaux de guerre peuvent protéger un Etat et être transportés partout où l'ennemi est accessible par mer et par la s'est offensément et défensivement.

Le Col. Marsh me dit que le Ministère avoit dessein de faire passer nos Batt: dans la Grande Bretagne, et qu'allors on en formeroit deux Regimts., que mon Batt: seroit le 60^e et celui de Prevost le 61^{me}. Je lui dis que je ne voyois pas qu'on nous fit (par là) une grande faveur, que tout au plus cet honneur seroit au dépend de nos revenus. Il ne me parut pas le comprendre de cette façon là et croyoit que ce seroit un grand avantage pour nous. (Efford de l'orgueil de la nation).

25. Samedi.

Promené le matin à pied, diné et passé la journée chés moy; fait visite à M. le G^l Murray qui me montra les contes du Col. Caldwell. Il me fit beaucoup de protestations d'amitié mais je le trouvay toujours le même. On me dit que les commissions du chevalier Carleton devoient être signées aujourd'hui.

26. Dimanche.

Il neige et fait mauvais temps, passé chés le G^l Robertson, qui a diné chés moy avec Bude et le Baron de Reigenstern. Nous avons joué au Wist jusqu'à dix heures. Robertson me dit que 37 des membres du Parlem^t qui étoient du party de M. Pitt vôtéroient contre lui demain, sur l'affaire des Fortifications. On croit cependant qu'il emportera la question au moins en partie.

27. Lundy.

Ar Davison passa chés moy et me dit qu'il frêteroit 10 vaisseaux pour aller chargée de la farine et du Biequit en Canada pour Terre-Neuve.

Il me pria de le recommander à M. Molefrou [Molesson] qui souhaite qu'il soit recouvrement des sommes qui sont dues en Canada à la Trésorerie. Il se plaint beaucoup de Dunn, & le croit dangereux en Canada. Il me dit que Gambell devoit y passer. La neige & le mauvais temps m'empêche de sortir. Budé vint dîner chés moy, & me dit après ça le projet que le Sr Grenville avoit formé de la passer dans la famille du Duc de York, après lui avoir offert tout son appuy auprès de M. Pitt duquel il (est) Germain. Cette ouverture une longue conversation, où j'eus lieu de m'assurer combien il est dangereux d'être auprès des princes; & combien il faut de prudence pour gagner & se conserver leur confiance, &c. Il se retira à 10 heures.

Mardy 28.

Je présiday au clob américain où il se trouva 19 membres tout s'y passa très bien et je nommay le Cape Kenedy pour mon successeur.

Le G^l Murray passa chés moy le matin et m'apprit que le Bill pour fortifier Portsmouth & Plimouth avait été rejeté. Lord A. & plusieurs autres personnes m'en parurent fort content; & en général on put remarquer que le Duc n'a pas des amis, mais qu'il est craint & on le croit si perseverant dans ce qu'il entreprend qu'on suppose qu'il renouvellera sa proposition par quelqu'autre moyen.

1 Mars.

Twiss passa chés moy & je lui signay un certificat par lequel je fais connaître qu'il a souvent eu besoin de Batteaux pour mettre mes ordres en execution, & que je ne luy ay jamais rien payé pour les dépenses qu'il a eu à cet égard.

Le Baron Riegelfelt m'a fait visite.

Diné et passé la soirée chés moy. Il a fait mauvais temps toute la journée.

2 Mars Jedy.

Le procès que Mess^{rs} Ellis & M. m'avoit intenté pour être payé des Lettres de changes que le L^e Gov^r St. Clair avoit tiré sur moy de Missillimackinak (pour le comte du gouvernement) a été dessidé aujourd'hui, & ces messieurs ont été renvoyé avec dépend.

Le Maj^r Matthews après m'avoir annoncé cette nouvelle, me dit que n'ayant plus rien à faire pour moy et ne pouvant plus m'être utile, Il se proposoit de repasser en Canada le plus tôt qu'il pourroit, son Regim^t devant aller à Niagara, que si je pouvois faire quelque chose pr lui je l'aurois sans doute fait, et que s'il ne pouvoit

N. B.—Fortifications are immovable, whereas ships of war can protect a State and be transported wherever the enemy is accessible by sea, and thus act offensively and defensively.

Colonel Marsh told me that the ministry had the intention of bringing our battalions into Great Britain, and that two regiments would be formed from them; that my battalion would be the 60th and Provost's the 61st. I told him that I did not see that (by this step) any great favour was done to us, and that at the best it would be at the expense of our income. He did not appear to understand it in that light, and believed it would be a great advantage for us. (Effect of national vanity.)

25. *Saturday*. Took a walk in the morning. Dined and spent the day at home. Visited General Murray, who showed me Colonel Caldwell's accounts. He made great protestations of friendship for me, but I found him still the same. I am told that Sir Guy Carleton's commissions are to be signed to-day.

26. *Sunday*. Snowing and bad weather. Called at General Robertson's, who dined with me, along with Badé and the Baron de Reigenstiern. We played at whist till ten o'clock. Robertson told me that 37 of the members of Parliament who were of Pitt's party will vote against him to-morrow on the question of the fortifications. It is, however, believed, that he will carry the vote, at least partly.

27. *Monday*. Alexander Davison called and said that he would charter ten vessels to go loaded with flour and biscuits to Canada for Newfoundland.

He begged me to recommend him to Mr. Molesson who wishes to be entrusted with the recovery of the sums which are due in Canada to the Treasury. He complains much of Dunn, and believes him to be dangerous in Canada, and says that Gamble is to go there. The snow and bad weather prevented me from going out. Badé came to dine with me, and told me afterwards of the plan which Lord Grenville had formed, of placing him in the family of the Duke of York, after having offered him all his support with Mr. Pitt, to whom he is related. This opened a long conversation, during which I had reason to be convinced how dangerous it is to be beside Princes and how necessary is prudence to gain and preserve their confidence. He left at ten o'clock.

28. *Tuesday*. I presided at the American Club, where there were 19 members. All passed well, and I named Captain Kennedy as my successor.

General Murray called in the morning and told me that the bill to fortify Portsmouth and Plymouth had been defeated. Lord A. [Amherst] and several others appeared to be well satisfied, and in general it is remarked that the Duke [of Richmond] has no friends, but he is hotheaded and is believed to be so persevering in what he undertakes, that it is supposed he will renew his proposition by some other means.

1. *March*. Twiss called, and I signed a certificate showing that he often required bateaux to execute my orders, and that I had never paid him for his expenses on this account.

Baron Riegelfelt paid me a visit.

Dined and passed the evening at home. The weather has been bad all day.

2 *March, Thursday*. The suit entered by Messrs. Ellis and M to be paid the bills drawn by Lieut. Governor Sinclair from Michillimakinak on me (on account of Government) was decided to-day against these gentlemen, with costs.

Major Mathews, after having given me this news, told me that having nothing more to do for me, and being no longer of use to me, he proposed to return to Canada as soon as possible; his regiment was to go to Niagara, that if I could have done anything for him I would no doubt have done so, and that if he could not hope for

rien esperer, Il se proposoit de presenter une requette à Lord Sydney & de vendre sa commission pr couper de stavs en Canada qui seroit la seule ressource qu'il lui restoit. Qu'il partiroit la semaine prochaine pr L'Ecosse pour voir son père ou Il ne pourroit rester que trois jours, après quoy il reviendrait icy pour s'embarquer.

Je fus chés le G. Robertson & Budé dans l'intention de savoir leur sentiments, mais ils n'étoient pas au Logis.

Je fus voir ensuite le G^l Christie qui me dit que le G^d Chancelier n'avoit pas voulu apposer les sceaux à la Commission de Carleton, qu'il ne trouvoit pas constitutionale, que l'affaire en restoit là, mais que Carleton accepteroit à tout prix, persuadé que ses Patrons obtiendroient tout avec le temps. Il croit que le Juge, Smith, est la personne la plus impropre qu'on auroit pu choisir pr envoyer en Canada, le croyant rebelle dans l'âme & capable de préparer l'esprit des Canadiens à un changem^t de conatitution, qui causeroit leur ruine avec celui du bill de Quebec & par là la perte du Canada pour la Grande Bretagne.

Le L^t Wolff a diné chés moy où j'ay passé la soiiée, le mauvais temps & le froid continue.

3 Mars. Vendredy.

Je fus au Levé où j'ai lieu de m'apercevoir que le Duc de Richmond n'avoit pas beaucoup d'amys. Il paroît qu'on ne l'aime pas quoy qu'on croit qu'il a quelques connoissances dans le Génie, on se flatoit qu'il resigneroit son employ, mais il n'en fera rien. On me dit qu'il y avoit quelques officiers qui n'atendoient que ce moment là pour lui faire rendre conte de sa conduite dans plusieurs occasions, et on croit que pour éviter les desagrem^{ts} il conservera son poste aussi longtemps qu'il pourra. Je fus à la cour où le roy me fit l'honneur de me parler longtemps, en présence de L^t Sydney.

Le Duc d'Amilton devoit être crée chevallier de l'ordre du chardier [chardon] je restay pour voir la sérémonie, & fus extremement surpris du peu d'ordre qui est observé dans une occasion qui devoit être solennelle ! Il n'y avoit point de ruban préparé, & le Roy fut obligé d'entrer dans son cabinet pour le trouver lui même.

Ces sortes de négligences ne sont pas pardonables, & quoy que tout le monde en parut surpris je crois devoir douter qu'on agisse avec plus de desence dans la suite. Lorsque j'eus l'honneur de recevoir l'ordre du Bain les choses se passèrent avec beaucoup plus de desence, & j'ay lieu de croire qu'il y avoit des ordres pour qu'elles fussent faittes d'une façon qui puisse me flatter. Le Roy en me passant le Ruban, me dit qu'il ne pouvoit le donner à personne qui lui fit plus de plaisir, & lorsque je baisay la main du Roy il me la tendoit avec affection. Tous les chevalliers qui parurent à ma reception parurent dans le manteau de l'ordre, et toute la seremonie en general se passa avec beaucoup de desence &c. &c.

Samedy, le 4e

Je fus chés le dentiste Spence pour faire ratacher ma dent. Il me dit que lorsque je partirois pour le continent il me mettroit un fil plus fort qui dureroit une année.

Reçu une lettre du Cap. Glaisenberg au sujet de son fils qui est dans la Marine & pour lui faire payer ce qu'il a à prétendre du bat & forage money, pend^t qu'il étoit Prisonnier.

Diré chés le chev^r James Napier avec le G^l Robertson, le G. Koningham, le Col. M. qui a été secretaire de Lord Clive aux Indes Orientales, & ensuite commissaire de la commission qui fut envoyée à N. Y. Lord Carlyle, Lord Howe, pour traiter avec les Américains & M. Ibbetson qui a un office dans l'Admiralité, après Mr Stephens. La conversation roula sur les affaires de L'Amérique & et sur les difficultés que Lord Cornwallis trouveroit en arrivant aux Indes Orientales.

La Compagnie s'étant retiré excepté le G^l Robertson, il me dit que le Regim^t des Dragons de Bourgoin étant vacant personne n'avoit plus de droit de la demander que moy, et que si je n'avois pas dessein de le faire il le demanderoit lui-même. Je lui encourageay beaucoup à le faire en lui disant que si on m'accordoit ce qu'on m'avoit promis qui est la paye de L. G. je serais parfaitement content. Revenu chés moy à 9^h heures.

anything, he proposed to present a petition to Lord Sydney, and to sell his commission in order to cut staves in Canada, which would be the only resource left him; that he would leave next week for Scotland to see his father, where he could remain only three days, after which he would return here to embark.

I went to General Robertson's and Budé's, intending to ascertain their sentiments, but they were not at home.

I then went to General Christie's, who told me that the Lord Chancellor had refused to affix the seals to Carleton's commission, not believing it to be constitutional; that the business remained in that state, but that Carleton would accept at any cost, persuaded that his patrons would obtain every thing with time. He believes that Judge Smith is the most unsuitable person that could have been chosen to send to Canada, convinced that he is a rebel at heart and capable of preparing the mind of the Canadians for a change of constitution, which would cause their ruin with that of the Quebec bill and cause the loss of Canada to Great Britain.

Lieut. Wolfe dined with me; spent the evening at home. Bad weather and cold continue.

3rd March, Friday. Was at the levée, where I had reason to notice that the Duke of Richmond had not many friends. It seems that he is not liked, although it is believed he has some knowledge of engineering. People flatter themselves that he will resign his office but he will do nothing of the kind. I was told that some officers were only waiting that moment to call him to account for his conduct on several occasions, and it is believed that to avoid annoyance he will keep his post as long as he can. Was at the Court, where the King did me the honour of speaking to me for a long time in presence of Lord Sydney.

The Duke of Hamilton was to be created Knight of the Thistle. I remained to see the ceremony and was extremely surprised at the little order observed on an occasion which should be solemn! No ribbon was prepared, and the King was obliged to enter his cabinet to find it himself.

Negligence of this kind is unpardonable, and although every one seemed surprised at it, I believe I may fairly doubt if there will be any future improvement. When I had the honour of receiving the order of the Bath, every thing passed with much more decorum, and I have reason to believe that orders had been given that the ceremony might be conducted in such a manner as to flatter me. The King in handing me the ribbon, told me that he could not give it to any one with more pleasure and when I kissed the King's hand he held it to me with affection. All the Knights who were at my reception appeared in the robe of the Order, and all the ceremony in general passed with much propriety, &c., &c.

4th Saturday. Was at Spence the dentist's to fasten my tooth. He said that when I was leaving for the continent he would put in a stronger thread which would last for a year.

Received a letter from Captain Gleisenberg respecting his son, who is in the Marine, to obtain payment of his claim for batt and forage money, whilst he was a prisoner.

Dined at Sir James Napier's with General Robertson, General Cunningham, Colonel M. who was secretary to Lord Clive in the East Indies and afterwards commissioner of the commission that was sent to New York, (Lord Carlisle and Lord Howe, to treat with the Americans), and Mr. Ibbetson who has an office in the Admiralty, after Mr. Stephens. The conversation turned upon the affairs of America and on the difficulties Lord Cornwallis would meet with on his arrival in the East Indies.

The company having retired, except General Robertson, he told me that Burgoyne's regiment of Dragoons being vacant, no one had more right than I to ask for it, and that if I did not intend to do so, he would ask for it himself. I greatly encouraged him to do so, telling him that if I were granted what had been promised me, that is, the pay of Lieutenant General, I would be perfectly pleased. Returned home at half past nine.

5e Dimanche.

Je fus à la cour avec Majr Matthews. Il y avoit fort peu de monde, & le Roy se retira à trois heures. Le Roy ni la Reine ne parlerent point à Matthews, on me dit que suivant l'Etiquette, ils ne parloient pas à des Majors. Je vis le chevalier Douglas, que je ne reconnois pas. Il me dit qu'il avoit chassé tous les Américains de nos Postes. C'est à dire qu'il leurs avoit empêché de couper du bois pr fondre le Lard des Balains qu'ils prenoient dans le Golphe, que n'ayant reçu aucune instruction à cette égard il avoit cru que le seul moyen de s'en procurer étoit d'être extrêmement exact à observer le traité de Paix, que sa conduite lui avoit procuré un compliment de la part du Roi, & et que si ses successeurs vouloient suivre le même exemple, on géneroit considérablement la Peche des Américains.

Les Majors Potts et Scott dinèrent chés moy où je passay la soirée.

Lord Amherst me dit que le chancelier avoit refusé d'apposer les sceaux à la commission de Carleton.

6e Lundy.

Je fus consulter le G^l Fosset au sujet de la demande du Capt Glaisenberg. Il me concilla d'en parler au Ch: Yong, qui vraysemblablement me renverroit à la Tresorerie. Il me dit aussi que je ferois bien de parler à My Lord Howe au sujet du fils de Glaisenberg.

Fosset me dit que L. G. de Dragons legers avoient demandé le Regim^t du chev. John Bourgoin, qu'on dit être mort aux Indes.

Il me dit ensuite qu'il souhaiteroit que le Roy prit l'habillem^t des Regim^t, & donna 1000 l. st. par année à chaque Colonel, que la Nation gagneroit par là, & que les chefs des Regim^t auroient de quoy vivre honnetement. Il paroît que les commiseaires pour les contes approuverent fort ce projet. De mon côté j'encourageay beaucoup le G^l de le faire approuver. Je passay chés L^d Amherst à qui je fis part de ce que j'avois appris chés Fosset. Il me dit que M. Dundas avoit parlé à M. Pitt en faveur du G. Cammel, qui est allé aux Indes sous l'espérance que s'il y avoit quelque promotion dans ce Pays il y succéderoit, que Lord Cornwallis ayant été nommé Gouverneur Général étoit un pas adroit qu'on faisoit à Cammel, & qu'aincy on ne pouvoit plus s'en dispenser de lui donner le Regim^t et il y a toute apparence qu'il réussira.

Je passay chés Robertson à qui je dis tout ce que j'avois appris. Il alla à la Cour & je restay avec Madame qui se plaignoit beaucoup de ce qu'on ne faisoit rien pour son mary, & que s'il n'obtenoit pas quelque chose il ne pouvoit pas contenir la dépençe de Londres. Enfin elle m'avoua que la seule chose qu'elle souhaitoit le plus au monde que son mary obtint le ruban, mais que si je disois ça à personne elle ne me le pardonneroit de sa vie. Je badinay beaucoup avec elle sur ce sujet. George Davison passa chés moy, & me fit voir une lettre de M. Townshend à Nepean par laquelle le roi avoit approuvé le Bail des Postes du Labrador en faveur de son frère, &c. mais que la chose étoit arêtée par l'interposition de M. Pitt qui disoit que le Bail étoit trop long. Il me pria d'en parler à M. Rose qu'il croit être le seul qui s'y oppose. Il m'apprit la dessus que Rose & Nepean n'étoient pas bien ensemble. Je lui conseillay de faire agir Lord Algernon Percy, & de faire un memoire que je présenterais avec Lord Percy. Il me parut fort affecté, & craindre que si l'affaire venoit à manquer ça ne leur fit perdre tout leur credit en Canada. Il soupçonne le juge Day, Grant, Dunn & surtout le ch. Carleton de faire tous leurs efforts pour faire manquer cet affaire, & je croit qu'il pourrait y joindre Nepean, &c.

Je fus pousser des cartes chés l'Admiral Barrington, le capitaine Vonder Put que je ne trouvay pas chés eux. Cherche en vain le chev. Ch. Douglas.

Mardy le 7.

Fait visite à Budé qui a diné chés moy avec le Major Gunn.

Je passay chés Lord Sydney que je ne trouvay pas, de la chés le Baron Regenfeld qui n'étoit pas au Logis, ensuite chés M. Rigaud que je trouvay occupé du portrait de Joseph Brant. Il me dit qu'il le vendroit pour 50 guinées & que Joseph lui avoit dit que s'il ne le vendroit pas il le feroit acheter lui-même pour le faire aller en Amérique.

5. *Sunday.* Was at the Court with Major Mathews. There were very few present and the King retired at three o'clock. Neither the King nor Queen spoke to Mathews. I was told that according to etiquette they did not speak to majors.

I met Sir Charles Douglas, whom I did not recognise. He told me that he had driven all the Americans from our posts, that is, that he had prevented them from cutting wood to melt the blubber of the whales they took in the Gulph; that having received no instructions on the subject, he believed that the only means of proceeding was to be extremely exact in observing the Treaty of Peace; that his conduct had obtained him a compliment from the King and that if his successors would follow the example, American fisheries would be considerably embarrassed.

Majors Potts and Scott dined with me; passed the evening at home.

Lord Amherst told me that the chancellor had refused to affix the seal to Carleton's commission.

6. *Monday.* Went to consult General Fawcett respecting Captain Gleisenberg's demand. He advised me to speak to Sir George Yonge, who would probably refer it to the Treasury. He told me also that I would do well to speak to Lord Howe respecting Gleisenberg's son.

Fawcett told me that the lieutenant colonel of the Light Dragoons had asked for Sir John Burgoyne's Regiment, it being reported that he had died in India.

He then said that he wished the King would take the clothing of the regiments and give £1,000 sterling a year to each colonel; that the nation would gain by it and that the commanders of the regiments would have wherewith to live at ease. It appears that the commissioners of accounts strongly approve of this plan. For my part, I greatly encouraged the General in having it approved of. Called at Lord Amherst's whom I informed of what I had learned from Fawcett. He told me that Mr. Dundas had spoken to Mr. Pitt in favour of General Cammel, who has gone to India, in the hope that if there should be any promotion in that country he might succeed in it; that Lord Cornwallis having been appointed Governor General was a neat stroke done for Cammel, that thus the giving him the regiment could no longer be avoided and there is every appearance that he will be successful.

Called at Robertson's, to whom I told all that I had heard. He went to the court and I remained with his wife, who complained very much that nothing was done for her husband and that if he did not obtain anything he could not support the expense of London. At last she acknowledged that what she most wished for in the world was that her husband should obtain the ribbon, but if I told any one this she would never forgive me. I joked a good deal with her on the subject. George Davison called and showed me a letter from Mr. Townshend to Nepean, that the King had approved of the lease of the Labrador posts to his brother, &c., but that the business was stopped by the interposition of Mr. Pitt, who said that the lease was too long. He begged of me to speak of it to Mr. Rose, who he believed to be the only one opposed to it, and told me, thereupon, that Rose and Nepean were at variance. I advised him to get Lord Algernon Percy to act and to prepare a memorial which I would present to Lord Percy. He appeared much affected and to fear that if the business failed it would destroy their credit in Canada. He suspects Judge Day, Grant, Dunn and especially Sir Guy Carleton with using every effort to cause a failure in the business and I believe he might to these add Nepean, &c.

I left cards at Admiral Barrington's and Captain Van der Pat's, neither of whom was at home. Looked in vain for Sir Charles Douglas.

7. *Tuesday.* Visited Budé, who, with Major Gunn (Green?) dined with me.

Called at Lord Sydney's, whom I did not find; thence to Baron Regensfeld's, who was not at home; thence to Mr. Rigaud's, whom I found engaged on Joseph Brant's portrait. He told me he would sell it for fifty guineas, and that Joseph told him if he did not sell it, that he would have it purchased himself to be taken to America.

La conversation pendant le diner roulla sur l'Hanovre, & après être monté dans ma chambre Budé me fit le detail de toute sa Famille & de son etat actuel, & de la conduite de son frere, &c. &c. que j'approuvay beaucoup. Il espere d'entrer dans la famille du Duc de York par le moyen du Gen^l Grenville, & il paroît que c'est tout ce qu'il ambitionne, & je crois qu'il a raison.

Mercredy, le 8^e

Je reçus ce matin une lettre de M. Nepean, qui renfermoit un papier concernant l'état du clergé Protestant en Canada, et me demandant mon sentim^t là-dessus, de la part de L^d Sydney, qui ne vouloit donner aucune réponse avant de savoir ce que j'en pensois.

Je répondis qu'il peut y avoir quelque chose de vray dans le memoire, qu'il étoit extrêmement exagérée, que j'avais laissé les choses dans ce pays là comme je les avois trouvées et que mon sentim^t étoit qu'il conviendroit de l'envoyer au Brig^r Hope pour avoir des éclaircissem^t &c. &c. Je suis fort surpris de ce qu'après avoir été plus d'une année pendant laquelle on ne m'a jamais rien communiqué, qu'on veuille me consulter aujourd'hui, sans doute afin de jeter sur moy tout les changem^ts qu'on propose de faire. Au reste je crois que ce memoire a été fait par M. le ministre Dauté [Doty] sous l'avis et l'assistance d'Hamilton & de Caldwell.

Diné chés Lady Holderness avec M^r Dayrolles & Budé. La conversation fut en général sur la vieille cour, & après que Dayrolles fut party elle roula sur la nouvelle. Revenu chés moy à 9 $\frac{1}{2}$.

Jedy 9.

Je fus au Levé de M. Pitt qui fut fort gracieux. Il me dit que Joseph se proposoit de partir dans

J'allay de là à la cour.

Le Chevallier John Caldwell, le Brig^r MacLean le Col. Clars & son fils et Steadman dinèrent chés moy, le Brig^r me fit voir un article qu'il avoit dans le Morning Advertiser du 8^e au sujet du gouvernem^t général proposé pour Carleton où il y a des raisons très solides pour prouver que le projet est des plus mal conçu ; cependant il passera.

Vendredy, 10.

Je fus chés Pollock pour le consulter au sujet des pretentions du Capitaine Glaisenberg. Il me fit un détail de l'office me dit que Nepean étoit chargé de tout l'ouvrage, qu'il auroit besoin de secours, & que Townshend ne faisoit rien. En sortant je rencontray M. Dunn dans l'enty chambre. Promené et revenu chés moi. Je dinay chés Sr George Yong avec L^d Sydney le G^l Johnson, le G^l Robertson, le général Voignard, le Gouvern^r Thony, Rainsford, Fosset, & le chev. Carleton à cotté de qui j'étois placé. Nous parlames fort amicalement, & il me parut qu'il y auroit quelques personnes qui pourroit se charger de ma maison de Montmorency. Le diné étoit fort bon, & le vin encore meilleur, & nous restames assez tard. Le G^l Morrison étoit de la partie.

Samedy le 11.

J'avois proposé hier au chev. Carleton de prendre mon domestique James avec lui en Canada comme coché & domestique. Je le lui envoyay ce matin après lui avoir donné son congé & l'avoir payé pour les trois mois qu'il me servy jusqu'au 1^{er} courant inclusif.

Diné chés Lord Sydney avec Lady sœur de M. Pitt, Lord Morton & la famille. Je remet à My L^d Sydney le memoire de Glaisenberg, qu'il me promit d'expedier. Je lui demanday si l'affaire des Postes étoit finie, il me dit que oui, que cette affaire étoit arrangée en faveur de Davison.

Dimanche le 12.

Fait visite au G^l Robertson qui me dit la façon dont il avoit présenté son memoire au Roy, p^r obtenir le Regim^t de Bourgoine Dragons. Il en avoit donné une copie à M. Pitt & une au Secrétaire de la Guerre, qui lui avoient donné des réponses favorables, sans rien promettre. Harry Wheright vint qui me parut un

The conversation at dinner turned on Hanover, and after having gone to my room, Budé gave me the details regarding his whole family; of his present conditions, of his brother's conduct, &c, of which I greatly approved. He hopes to enter the Duke of York's family by the intervention of General Grenville. It appears that that would satisfy his ambition and I think he is right.

8. *Wednesday.* Received this morning a letter from Mr. Nepean, enclosing a letter respecting the state of the Protestant Clergy in Canada, and asking on behalf of Lord Sydney my opinions thereon, as His Lordship wished to give no reply before knowing what I thought of it.

I answered that whilst there might be some truth in the memorial, it was extremely exaggerated; that I had left affairs in that country as I had found them and that my feeling was that it would be more suitable to send it to Brigadier Hope to obtain information, &c., &c. I was much surprised that having been here for more than a year, during which nothing has ever been communicated to me, they should wish to consult me now, no doubt in order to throw on me the responsibility for all the changes it is proposed to make. Besides, I believe that this memorial has been drawn up by the Minister Dauté (Doty) with the advice and assistance of Hamilton and Caldwell.

Dined at Lady Holderness's with Mr. Dayrolles and Budé. The conversation was chiefly upon the old Court; after Dayrolles left it turned on the new. Returned home at half past nine.

9. *Thursday.* Was at Mr. Pitt's *levée*, who was very gracious. He told me that Joseph proposed to set out in Went from there to the Court.

Sir John Caldwell, Brigadier Maclean, Colonel Claus and his son and Stedman dined with me. The Brigadier showed me an article which he had in the *Morning Advertiser* of the 8th, on the subject of the general government proposed for Carleton, in which there are solid reasons to prove that the scheme is ill conceived in the highest degree; yet it will pass.

10. *Friday.* Went to Pollock's to consult him respecting Captain Gleisenberg's claims. He gave me a detailed account of the office; said that all the work of the office was thrown on Nepean; that he needed assistance and that Townshend did nothing. On leaving I met Dunn in the antechamber. Took a walk and returned home. Dined at Sir George Yonge's with Lord Sydney, General Johnson, General Robertson, General Voignard, Governor Thony (?) Rainsford, Fawcett, and Sir Guy Carleton, beside whom I was placed. We talked amicably; it appears to me that there might be some people who would take my house at Montmorency. The dinner was very good; the wine still better and we all stayed pretty late. General Morrison was of the party.

11. *Saturday.* I had yesterday proposed to Sir Guy Carleton to take my servant James with him to Canada as coachman and servant and I sent him this morning after dismissing him and paying him for the three months he has been in my service, to the 12th inclusive.

Dined at Lord Sydney's with Lady sister of Mr. Pitt, Lord Morton
and the family. I handed Lord Sydney Gleisenberg's memorial which he promised to forward. I asked him if the business of the posts was finished. He answered yes, the matter had been settled in favour of Davison.

12. *Sunday.* Visited General Robertson, who told me how he had presented his memorial to the King to obtain Burgoyne's regiment of Dragoons. He had given a copy of it to Mr. Pitt and one to the Secretary of War, who both had given him favourable answers, without promising anything. Harry Wheright came, who

peu piqué de ce que je l'avois négligé. Il me parut qu'il avoit quelque dessein de passer en Canada. Il s'en alla & le G^{énéral} Murray vint ensuite, qui fit le Don Quichote sur le conte de Maban, & pria Robertson de l'inviter avec le juge Smith afin d'avoir occasion de recommander Maban, qui est le moyen le plus sur de lui faire du tort dans l'esprit de Carleton &c. Revenant chés moy pr m'abiller, Matthews me dit avoir vu Madame Murray, qui lui avoit dit que Alexandre Davisson jouoit un rôle ridicule qui pouvoit faire du tort à Caldwell, au sujet de l'arrangement qu'il avoit fait avec le G^{énéral} Murray pour ces possessions en Canada. Enfin je pus conclure que D. est bavard et M. un mauvais sujet sur lequel on ne peut pas compter, & qu'il est très nécessaire d'être sur ces gardes avec eux.

Diné chés le chevalier John Dick, avec Lord Achburnam, L^{ord} St. Assof & son fils, L^{ord} Brudnell, M^{onsieur} Scott et son fils & Budé, fait visite à Lady Yorok, qui n'étoit pas chés elle. Revenu chés moy à 9 heures.

Lundy 13.

Promené à pied, rencontré Lord Amherst dans le Parc. Je lui remis la Requette du chirurgien Davenish. Il me dit qu'il en parleroit au G^{énéral} Fosset &c.

Je montay ensuite à cheval ou je rencontrai Lord Morton avec lequel je fis quelques tours du Parck. Il me fait toujours beaucoup d'accueil.

Budé diné chés moy. Je fus ensuite au concert du Baron ou il y avoit beaucoup de monde. L'Eveque chev^{er} Barrington me dit que le 8^e Regmt se louoit beaucoup de la façon dont j'en avoit agy avec eux pendant qu'ils étoient sous mes ordres & que le Colonel de Peister lui avoit dit que la seule faute que j'avois commise étoit de n'avoir pas fait pendre DuCalvet, &c.

J'eus une longue conversation avec le G^{énéral} Grenville qui espère d'avoir le 3^e Regmt qui se trouva vacant. Revenu chés moy à 10 heures.

Mardy 14.

M. et Mad^{ame} Prevost arrivèrent chés moy à 11 heures pour consulter Adair sur une oppression qui lui survint tous les mois. Il lui a donné quelques drogues qui l'ont tranquilisées. Ils ont diné chés moy & sont party à 4 heures.

Diné au Club, où il y avoit 15 Persons. Le G. Robertson sera Président.

Le Mercredy, 15^e

Mess. le Cap^{itaine}
chés moy.

Mess. Johnson d'omy & le Doct. Brown ont diné

Jedy, 16^e

Été à la cour où la Rene me parla du diner du Baron de Loudun & Lady Holderness de la Maladie de M. Dayrolles. Le duc de Richemond me parla plus gracieusement qu'il avoit jamais fait. Robeau vint chés moy me dire qu'on lui avoit donné une guinée &c. je passay la soirée chés Lady Yong ou il avoit beaucoup de monde, je jouay deux Robbers gagné 2 guinées dans le premier & perdu 1½ dans le second, revenu chés moy après 11 heures.

Vendredy, 17^e

Je fus chés M. Corre avec Matthews pour le consulter sur les affaires de DuCalvet, qu'il me paroît avoir un peu négligé par la multiplicité des affaires dont il est chargé. Fait visite à Mad^{ame} Corre & passé chés mon neveu qui me fit voir une lettre de M. Wildermet à laquelle je lui conseillay de répondre rondemt et une de son père à laquelle je lui conseillay de faire paraître l'embaras dans laquelle M. Wildermet fils pourrait nous jeter.

Diné chés le G^{énéral} Robertson avec le G^{énéral} Murray, Sir John Anderson, M^{onsieur} White, Sr James Napier, & M. Smith. Murray se conduisit avec plus de prudence (au sujet de Maban) que je ne l'avois espéré.

Mon nouveau Domestique Francis Smith est entré à mon service aujourd'huy, comme footman et groom, à raison de 20 guinées par année & l'habillement usité. Mais il doit lui-même se pourvoir de Bottes et culottes de Peau.

Samdy, 18^e

Le G^{énéral} Murray vint déjeuner chés moi pour avoir occasion de parler au Maj^{or} Matthews au sujet de Davisson. Le Major Gann passa chez moi avec le jeune Har.

appeared a little piqued that I had neglected him. It seemed to me that he had some intention of going to Canada. He went away and afterwards General Murray came, who played Don Quixote on Mabane's account, and begged Robertson to invite him along with Judge Smith, to give him an opportunity to recommend Mabane, which is the surest way to prejudice Carleton against him, &c. Returning home to dress, Mathews told me that he had seen Mrs. Murray, who said that Alexander Davison was playing a ridiculous part which would hurt Caldwell, in regard to the arrangements which he had made with General Murray for his properties in Canada. Indeed I must conclude that D. (Davison) is a prater and M. (Murray) a bad fellow, who cannot be trusted, and that it is necessary to be careful with them.

Dined at Sir John Dick's with Lord Ashburnham, Lord St Asaph and his son, Lord Brudenell, Mr. Scott and his son and Budé. Paid a visit to Lady York who was not at home. Returned home at 9 o'clock.

13. *Monday.* Took a walk. Met Lord Amherst in the Park, and handed him Surgeon Davenish's petition. He said he would speak about it to General Fawcett. I then went on horseback, and met Lord Morton, with whom I took a few turns in the Park. He always receives me well.

Bu's dined with me. I afterwards went to the Baron's concert, which was well attended. Bishop Barrington told me that the 8th Regiment was greatly pleased with the manner in which I had behaved to it whilst it was under my orders, and that Colonel de Peyster told him the only fault I had committed was in not having du Calvet, &c., hung.

Had a long conversation with General Gronville who is hoping to have the 3rd Regiment, now vacant. Returned home at 10 o'clock.

14. *Tuesday.* Mr. and Mrs. Prevost arrived at my house at eleven o'clock, to consult Adair about an oppression which attacked him every month. He gave him some drugs which relieved him. They dined with me and left at 4 o'clock.

Dined at the Club, at which were 15 persons. General Robertson will be president.

15. *Wednesday.* Captain Messrs Johnson, Dombey and Dr. Brown dined with me.

16. *Thursday.* Was at Court where the Queen spoke to me of Lord Loudoun's dinner and Lady Holderness about Mr. Dayrolles' illness. The Duke of Richmond spoke to me more graciously than he had ever done. Roubaud called to tell me that he had been given a guinea, &c. Spent the evening at Lady Yonge's, where there was a large company. Played two rubbers; won two guineas in the first and lost one and a half in the second. Returned home after 11 o'clock.

17. *Friday.* Went to Mr. Coore's with Mathews to consult him about the du Calvet affair, as he seemed to have neglected it a little owing to the multiplicity of his engagements. Visited Mrs. Coore and called on my nephew, who showed me a letter from Mr. Wildermet, which I advised him to answer sharply, and one from his father, to which I advised him to answer, showing the embarrassment into which Mr. Wildermet, junior, might throw us.

Dined at General Robertson's with General Murray, Sir John Anderson, Mr. White, Sir James Napier and Mr. Smith. Murray behaved with more prudence (respecting Mabane) than I had hoped for.

My new servant, Francis Smith, entered my service to-day, as footman and groom, at 20 guineas a year and ordinary clothing, but he is to provide himself with boots and buckskins.

18. *Saturday.* General Murray came to breakfast, to have an opportunity of speaking to Major Mathews. Major Gunn called with young Harvey. They came

vey. Ils venaient de chez Doyly qui suppose toujours à ce qu'il entre dans le service à moins que le Roy ne lui donne une Cornette de Dragon. Je lui conseillay d'acheter dans l'Infanterie. Il y consentit & devoit aller voir M. Gravenor son tuteur pour avoir son consentement. Il me paroît un garçon foible qui ne jouera jamais un grand rôle.

Je viens d'apprendre que M. Dayrolles mourut avant hier.

Diné chez M. Corre avec Messrs Louis Tessier, le Docteur Mathews & Fraser, revenu chez moy à 9½ heures. J'ay donné 5 guinées au Père Robeau. Il est surprenant qu'on ne fasse rien pour lui.

Dimanche, 19^e

Promené à pied & à cheval. Il survint un orage avec de la gralle et je fus fort mouillé avant que de venir chez moy. Budé, le Baron Regenfield, le Major Gunn & le Major Molcaster dinèrent chez moy.

Lundy, 20^e

Promené à pied & à cheval, diné chés moy & passé la soirée chés Lady Godoa où il y avoit beaucoup de monde & où on dansa dans deux appartem^t. Joué au whist avec la Duchesse de Grafton, qui me remercia beaucoup des civilités que j'avois témoigné à son fils, Lord Auguste, en Canada. Elle me dit qu'il lui en avoit parlé souvent avec reconnaissance, & Joué à la Guinée et perdu 3 parties.

J'eus une longue conversation avec Lord Southampton qui se plaignit de ce qu'on n'avoit pas voulu l'employer dans la dernière guerre, en me disant que c'étoit la faute de Ld Amherst, &c. Nous parlames de la façon d'équiper les Dragons & du service qu'il faudroit qu'ils fissent comme Infanterie. Je lui dis qu'il conviendrait qu'on fournît une partie de la milice à cheval afin qu'entre peut se transporter avec plus de facilité dans tous les endroits où l'ennemi pourroit faire un débarquement. Revenu chés moy à 12½ heures.

Mardy, 21^e

Promené beaucoup à pied, fait visite à Lady Holderness qui me parla fort affligée de la mort de M. Dayrolles, elle m'a fait une histoire de sa famille & de la maison. Le Prince de Galles doit dîner chés elle vendredy. Il fait beaucoup de cour à la Princesse Emilie parceque celle-cy trouve toujours quelque chose à redire à la conduite du Roy, & qu'elle trouve le Prince de Galles polly. Le R. ne corrige point ses enfans & lorsque La Reine sort de l'appartement ils se conduisent fort indessamment. Madame Fitzherbert a des beaux yeux mais un air fort commun elle a eu un enfant mort en naissant. Rencontré le chev. John Dick, qui m'a témoigné beaucoup d'amitié. Diné chés Ld Amherst avec Budé, Robertson, & le jage Smith. Lady Amherst a été assez pollie. Smith nous dit que les Américains cherchoient à vendre les Terres qui se trouvent audelà des Allegany Mountains aux Anglois & aux Hollandois, qu'ils avoient des agents icy qui avoient déjà reçu beaucoup d'argent, & qu'ils trouvoient tous les jours des Duppes; Budé me parut épris de Smith, & lui trouvoit quelque chose de séduisant. Je crois devoir lui dire le rôle que Smith avoit joué dans le commencement de la Rebellion. Revenu chés moi à 9½.

Mercredi, 22.

Adair qui a déjeuné chés moy me dit qu'il croyoit le Gene Provost en danger. Joseph Brant vint me dire qu'il étoit surpris qu'on ne lui eusse pas assuré la demy paye, me disant que je le lui avois fait espérer. Il parait mécontent de ce qu'en ne lui répond pas à sa Harange. Nepean le renvoie toujours.

Je fus à la cour ou le Conte Lucy m'aborda familièrement. Nous causâmes quelque temps ensemble avec Lord Cornwallace qui part dans 3 semaines pour les Indes.

J'ay payé aujourd'huy & donné le congé à Frederic qui m'a servy pendant onze années. Je lui ay payé deux mois de plus que je ne lui devois et Lui ay fait présent d'une montre d'argent. Il ma paru extrêmement satisfait et reconnoissant.

Robertson m'a dit à la cour qu'on avoit envoyé des instructions au chev. Carleton, mais qu'il n'avoit pas voulu les ouvrir avant que d'avoir reçu sa commission, croyant

from Doily's, who still objects to his entering the service unless the King gives him a cornetcy of dragoons. I advised him to purchase into the infantry. He agreed and was to go and see Mr. Gravenca, his tutor, to obtain his consent. He seems to me a weak lad, who will never play a great part.

Have just learned that Mr. Dayrolles died the day before yesterday.

Dined at Mr. Coore's, with Messrs. Louis Tessier, Dr. Mathews and Fraser. Returned home at half past nine. Gave five guineas to Father Roubaud ; it is astonishing that nothing is done for him.

19. *Sunday.* Walked and rode. A heavy wind sprang up with hail and I was soaked before getting home. Budé, Baron Regenfeld, Major Gunn and Major Mulcaster dined with me.

20. *Monday.* Walked and rode ; dined at home. Passed the evening at Lady Gedeon's ; there was a numerous company and dancing in two of the rooms. Played at whist with the Duchess of Grafton, who thanked me much for the civilities I had paid in Canada to her son, Lord Augustus, and told me he had often spoken of it with gratitude, &c. Played for guineas and lost three games.

Had a long conversation with Lord Southampton, who complained that he had not been employed during the last war, saying that it was Lord Amherst's fault, &c. We spoke of the manner of equipping the dragoons and of the service that would be required of them as infantry. I said it would be better to train a part of the militia as horsemen, so that they could be carried with greater facility wherever the enemy might make a landing. Returned home at half past twelve.

21. *Tuesday.* Took a long walk. Visited Lady Holderness, who seemed deeply grieved at the death of Mr. Dayrolles ; she gave me some account of his family and extraction. The Prince of Wales is to dine with her on Friday. He paid much attention to the Princess Emilie (Amelia ?) because she had always something to criticize on the King's conduct, and likes the politeness of the Prince of Wales. The King does not correct his children and when the Queen leaves the room they behave most improperly. Mrs Fitzherbert has fine eyes, but a very common air ; she has had a child still born. Met Sir John Dick, who testified great friendship. Dined at Lord Amherst's, with Budé, Robertson and Judge Smith. Lady Amherst was polite enough. Smith told us that the Americans were trying to sell the lands beyond the Alleghany Mountains to the English and Dutch ; that they had agents here, who had already received large sums and that they were finding dupes every day. Budé seemed to be taken with Smith and found something attractive about him. I think I should tell him the part that Smith played at the beginning of the rebellion. Home at half past nine.

22. *Wednesday.* Adair who breakfasted with me, says that he believes General Prevost to be in a dangerous state. Joseph Brant came to tell me that he was surprised his half pay had not been secured to him, and saying that I had led him to expect it. He seems displeased that his speech was not answered. Nepean always puts it off.

Went to the Court, where Lord Lucy accosted me familiarly. We talked some time together with Lord Cornwallis, who leaves in three weeks for India.

Paid to-day and gave his discharge to Frederick who has served me for eleven years. I paid him for two months more than I owed him and made him a present of a silver watch. He seemed to be extremely satisfied and grateful.

Robertson told me at Court that the instructions had been sent to Sir Guy Carleton, but that he would not open them before receiving his commission, thinking

que si elle n'étoit pas conçue qu'il souhaitoit et qu'il ne voulut pas l'accepter il ne convenoit pas qu'il vit les Instructions. Il y a des Personnes qui croient qu'il n'yra pas en Canada.

Diné chés Lady Holderness avec Mad Bentinck & sa famille, où j'appris que l'ainé des ces demoiselles est mariée avec M. Mills, off: dans le Regimt des Gardes Bleufs qui aura une assez jolie fortune quoyqu'il aye été déshérité de son Père. Mr Mills étoit là de même que M. Bentinck fils de Charles qu'on croit après la cadette de ces Demoiselles. Budé étoit de la partie. Après que la compagnie fut retirée nous restames quelque temps auprès de Lady M: & on convint par différents indissés sur la conduite du P. de Galles, qu'il y a apparence qu'il est marié avec Md Fitzherbert, on passa toute la famille en revue, & on ne pût que prévoir Mille desagrems.

Jedy 23e

Le Major Matthews me montra le conte de son office qu'il voulait remettre à M. Whiglesworth. Je lui conseillay de la faire voir à M. Dunn, premièrement nous fûmes chés luy, ne l'y trouvant pas nous fûmes visitte à Madame qui me reçut fort bien, et me parut aimer Londres. N'y ayant point de Levée chés M. Pitt je fus faire visite au G^l Green des Ingenieurs qui me fit comprendre que le G^l Elliot aimé le commandem^t et penthetre l'argent. Il vit très bien mais il est si exact dans le service & il le fait executer avec tant de hauteur qu'il s'est fait beaucoup d'enemies, mais Giberaltar est fort en sûreté entre ses mains.

Fait visible à Lady Yong et Lady Gedeon, revenu chés moy où j'ay dîné seul, passée la soirée chés le G^l Robertson où je trouvoy Lady Anstruder qui doit avoir été belle femme et fort dessidée Elle approuvait la conduite du M^{me} Fitzherbert.

Le G^l me dit qu'il me ferait voir ce que le chev. Clinton avoir reçu en Amérique comme commandant en chef pendant qu'il y commandait, et me fit comprendre que j'avais été une Dappe de ne pas prendre tous les emoluments qui me revenoit.

Il a lui-même demandé la dépençe qu'il a été obligé de faire dans les voyages qu'il a fait comme cartier maitre gen^l et Baraque Master G: On lui a demandé un ordre du G^l en chef, et il a écrit en conséquence au G^l Gage qui lui donne un certificat ce qui lui assurera le paym^t.

Plus je connois ce pays et plus je m'apperçois que c'est la dernière des duperie de se fier sur la générosité de la Nation, les services rendus sont oubliés dans le moment qu'on n'a plus besoin de nous.

Vendredy, 24e.

Le Major Mathews a porté à Mr Whiglesworth le conte de son office avec les wouchers et il est party le même soir à 10 heures dans la carosse pr l'Ecosse. Il ne se portoit pas fort bien.

Samedy 25e

Promené à cheval où j'ay rencontré le G. Smith qui m'a fait un détail de l'emutte qu'il y eut parmi les troupes en '82 au sujet des soldats qui n'avaient été engagés que pendant la guerre ou pr 3 années et d'un Regimt Ecossois qu'on voulait embarquer pr les Indes. On eût beaucoup de peine à les appaiser et on fut obligé de leur donner leur congée. Le même esprit de sedition se trouvait dans la flotte et on croit que ces mutins correspondent avec Lord George Gordon. Je rencontray Budé qui me conseilla de faire exercer mon cheval au feu.

Diné chés le G^l Morrisson avec le Baron Alvensleben, le chev: Yong et sa femme, Budé, Grenville, Roy, le Col: Williamson, M. Louys [Lewis]. J'y passa la soirée et perdu 1½ guinée.

Joseph Brant avait été chés moy Vendredy et paroissoit fort mécontent de ce qu'on ne lui donnait point de réponce. Je lui conseillay d'aller chés le chev: Carleton, qui le conduisit ensuite chés Nepean, et j'ay appris ce matin que le conseil de cabinet étoit assemblé pour lui préparer une réponce qui doit lui être faite demain.

Le chev: Charles Douglas qui vint chés moy me dit qu'il espéroit qu'on accommoderait, le différent qu'il a eu entre le comador Sauviers, et le cap^t Benting, qu'il ferait tout ce qu'il pourroit pour ça. Été à la cour où il y avait peu de monde. Lord

that if it was not expressed as he wished and that he would not accept it, it was not proper that he should see the instructions. There are people who believe he will not go to Canada.

Dined at Lady Holderness's, with Mrs. Bentinck and her family, at which I learned that the eldest of these young ladies is married to Mr. Mills, an officer of the Horse Guards Blue, who will have a handsome enough fortune, though he have been disinherited by his father. Mr. Mills was there, as was Mr. Bentinck, son of Charles, who is believed to be after the youngest of the young ladies. Budé was of the party. After the company had left, we remained for some time with Lady Holderness, and it was agreed, from various indications in the conduct of the Prince of Wales, that he was married to Mrs. Fitzherbert. Passed the whole family in review and can only anticipate a thousand disagreeable things.

23. *Thursday.* Major Mathews showed me the account of his office, which he wished to send to Mr. Wigglesworth. I advised him to show it to Mr. Dunn. Firstly we went to his house, but not finding him there, we paid a visit to his wife, who received me well, and seems to like London. Mr. Pitt having no levée I paid a visit to General Green of the Engineers, who led me to understand that General Elliot liked command and perhaps money. He lives well, but is so exact himself in the service and insists with so much severity on its being executed, that he has made many enemies; but Gibraltar is safe in his hands.

Visited Lady Yonge and Lady Gedeon; returned home, where I dined alone. Spent the evening at General Robertson's, where I found Lady Anstruther, who must have been a beautiful woman and very determined. She approved of the conduct of Mrs. Fitzherbert.

The General told me he would show me what Sir Henry Clinton received in America as Commander-in-chief, whilst in command there and made me understand what a fool I was not to have taken all the emoluments which should have come to me. He himself has asked for his travelling expenses as Quartermaster General and Barrack Master General. He was asked for an order from the General-in-chief and wrote in consequence to General Gage who is giving him a certificate which shall secure payment.

The more I know of this country, the more I see that it is the height of folly to trust to the generosity of the nation. Services are forgotten the moment there is no longer need of us.

24. *Friday.* Major Mathews carried the account of his office, with the vouchers, to Mr. Wigglesworth, and left the same evening at 10 o'clock in the coach for Scotland. He was not well.

25. *Saturday.* Rode out and met General Smith, who gave me a detail of the mutiny among the troops in '82, in relation to soldiers who had been engaged only during the war or for three years, and a Scotch regiment which was desired to embark for India. There was great trouble to pacify them, and they had to be disbanded. The same spirit of sedition was in the fleet, and it is believed that these mutineers were corresponding with Lord George Gordon. Met Budé, who advised me to have my horse trained to stand fire.

Dined at General Morrison's, with the Baron Alvensleben, Sir George Yonge and his wife, Budé, Grenville, Roy, Colonel Williamson, Mr. Louys (Lewis). Spent the evening there and lost a guinea and a half.

Joseph Brant had been at my house on Friday, and appeared much dissatisfied that no reply had been made to him. I advised him to go to Sir Guy Carleton, who went with him to Nepean's, and I learned this morning that the Privy Council had met to prepare an answer to him, which is to be made to-morrow.

Sir Charles Douglas, who called, told me that he hoped the difference between Commodore Sauviere (Sawyers?) and Captain Bentinck would be arranged, and that he would do all in his power to that end. Was at Court, where very few were pre-

Sydney me dit qu'il avait parlé à Brant qui était très content. Dîné chés moy, fut visitte à Lady York a Madame Tryon et de là avec le G^l ches l'ambassadeur de France ou j'ay joué deux robbers avec Lady Bate le Baron de Lindon et Tryon.

Je vis Madame Fitzherbert que je ne trouvoy point belle, ny bien faitte. C'est ce qu'on appelle une bonne pièce. Revenu à minuit. L^t Tour arivé et m'a fait visitte.

Lundy, 27^e

J'ay été chés le Cap. Twiss qui estoit sorty, passé chés M. Whitte de la chés Bigaud qui me fit voir un dessein qu'il avoit fait pour un plafond que je trouvoy fort bien. Il me dit qu'il eseroit d'être employé p^r le Prince de Galles. Je fus de là chés James Grant où je trouvoy La Naudire à qui je fis un compliment fort froid.

Fait visitte à l'archevesque de York qui me reçut très bien. La conversation roula sur le Canada, et sur les ressources de ce pays. Il paroît très fort instruit.

Passé chés M. Anderson mon voisin qui n'étoit pas au logis.

Diné chés le Cap^t Kenedy avec le G^l et Mad^e: Robertson, le G^l Bruce, Small et M. Watts et 3 autres personnes.

Le Colonel Dundas vint après diner et me parut aussi stupide et sot qu'à l'ordinaire. Passé la soirées chés Lady Amherat où il avoit beaucoup de monde, on s'est retiré de bon heure, j'avois été auparavant au concert du Baron Alvensleben.

28, Mardy.

Diné à l'american Club, le G^l Robertson President. je le menay ensuite chés Mad^{me} où il y avoit beaucoup de monde. joué un robert et gagné 1 guinée, revenu chés moy à midy.

Le G^l Robertson me dit le matin que le G^l Gage avoit reçu £5000 st. p^r bat et fourrage mony par le moyen de Shérif qui a fit signer l'ordre au G^l Howe après le depart de Gage.

Mercredy 29.

Fait visitte à Lady Holderness qui me dit que le Prince de Galles s'étoit conduit admirablement bien & comme un grand seigneur lorsqu'il dina chés elle vendredy dernier.

La princesse Emilie laissera £40,000 st. quelle a dans les fonds aux deux jeunes Princes de Hesse ses neveux & ses Diam^{ts} à la Princesse de Hesse.

M. Dayrolles a laissé plus de biens qu'on ne pensait. Ses filles auront chacune sept mille livres, et celle qui est mariée en Irelan le 5000, reversible au frère si elle meurt sans enfant, la veufve aura £500 par année & le fils environ 700. Il a stipulé que si ses filles marient un catholique elles seront dechues de l'Héritage, et n'auront que £50 livres p^r année.

Le G^l Grenville m'est venu fair visitte & m'a dit qu'il partiroit p^r Hanovre sur la fin de May, que le Prince se proposoit de faire un voyage à Strasbourg & et à Nancy pour y voir les Troupes, mais qu'il ne seroit pas longtemps dans sa tournée que s'il alloit en Suisse ce ne seroit qu'en courant.

Fait conte avec mon Domestique, la dépence depuis qu'il est chés moy est montée p^r quatre semaines à £33-0-6½. je lui ay donné d'avance £7-14-5½, après avoir payé la depence cy-dessus de £33-0-6½

St. Ours & le cap^t Scott ont diné chés moy, le premier nous a donné une fort mauvaise idée du gouvernement françois. Le roi parut etre fort absolue & la Reine fort gallante, & tous les deux fort peu estimés, les finances sont en fort mauvais état, & le Parlement cherche toutes les occasions de s'opposer aux ordres arbitraires du roy. Le roy en traçant (de sa propre main) les remontrances du Parlement sur certaines articles qu'il avoit été obligé d'enregistrer a fait connoître une mauvaise humeur dont la nation ne le croyoit pas capable. Enfin il est en France comme chés nous tout est par un esprit de Party & par l'influence de quelques personnes en pouvoir. Davisson vint chés moy à 9 heures du soir, & me dit que le départ du G^l Carleton estoit fort incertain. (Il apprenoit ocy de M. M) et il me dit que Lord Adam Gordon souhaitoit d'avoir le commandement du Canada, mais l'opignatre de Carleton et la nécessité ou il se trouva de pourvoir pour la nombreuse famille qu'il a lui fera accepter tout ce qui pouroit lui etre utile.

sent. Lord Sydney told me he had spoken to Brant, who was satisfied. Dined at home, visited Lady Yorke and Mrs. Tryon, and thence with the General to the French Ambassador's, where I played two rubbers with Lady Bute, Baron de Linden and Tryon.

I saw Mrs. Fitzherbert, whom I did not think beautiful nor handsome. She is what is called *une bonne pièce* (a sly piece). Returned at midnight. Lieutenant Tour arrived and paid me a visit.

27. *Monday.* Called on Captain Twiss, who had gone out. Called on Mr. White and from there to Rigaud's, who showed me a design he had made for a ceiling, which I thought very good. He told me he hoped to be employed by the Prince of Wales. From there to James Grant's, where I found La Naudière, to whom I gave a cold reception.

Visited the Archbishop of York, who received me well. The conversation turned on Canada, and on the resources of that country. He seemed well informed.

Called on my neighbour, Mr. Anderson, who was not at home.

Dined at Captain Kennedy's with General and Mrs. Robertson, General Bruce, Small and Mr. Watts, and three others.

Colonel Dundas came after dinner, and seemed as stupid and silly as usual. Spent the evening at Lady Amherst's; a numerous company. It broke up early. Had previously been at Baron Alvensleben's concert.

28. *Tuesday.* Dined at the American Club. General Robertson President. Took him then to Mrs. where there was a large party. Played a rubber and won a guinea. Home at midnight.

General Robertson told me in the morning that General Gage had received £5,000 sterling for batt and forage money by Sheriff's means, who had the order to General Howe signed after Gage had left.

Visited Lady Holderness, who told me that the Prince of Wales had behaved admirably and in the highest style when he dined with her on Friday last.

The Princess Emily will leave £40,000 sterling, which she has in the funds, to the two young Princes of Hesse, her nephews, and her diamonds to the Princess of Hesse.

Mr. Dayrolles has left more property than was supposed. His daughters will each have seven thousand pounds, and the one who is married in Ireland £5,000, reversible to the brother if she die without children. The widow will have £500 a year, and the son about £700. He has stipulated that if his daughters marry Catholics, they will be deprived of their share of the heritage and have only £50 a year.

General Grenville came to pay me a visit, and told me that he would leave for Hanover about the end of May; that the Prince proposed to take a journey to Strasbourg and Nancy to see the troops, but that he would not be long on the trip, that if he went to Switzerland it would only be a flying visit.

Made up accounts with my servant; the expense since he has been with me amounted for four weeks to £83. 0. 6½. I gave him as an advance £7. 14. 5½ after having paid the above expense of £83. 0. 6½.

St. Ours and Captain Scott dined with me. The former gave us a very bad idea of the French Government. The King appears to be absolute, the Queen a coquette, and both little esteemed; the finances in a very bad state and the Parliament seeking every opportunity to oppose the King's arbitrary orders. The King, when inscribing (with his own hands) the remonstrances of Parliament, which he had been obliged to register, showed a bad temper of which the nation did not believe him capable. Finally, it is in France as with us, everything is done by party spirit and by the influence of a few persons in power. Davison came to me at nine o'clock in the evening and told me that General Carleton's departure was very uncertain (he learned this from Mr. M), and said that Lord Adam Gordon wished to have the command in Canada, but the stubbornness of Carleton, and the necessity of providing for the numerous family he has, will make him accept everything that may be of use to him.

Je fus à l'office de Lord Sydney, à qui je parlay sur l'affaire des Postes, qu'il me promit de finir avec M. Pitt. Je lui dis qu'il paroissit que M. Pitt avoit fait des reflexions sur mon compte à l'égard de l'économie en faisant des eloges du ch. Carleton, Il m'assure du contraire et me dit qu'il n'avoit jamais vû que M. Pitt fit des reflexions sur ce sujet à mon préjudice, &c., &c.

Il me dit ensuite qu'il avoit reçu un memoire de Mathews qui demandoit quelque chose, qu'il étoit fort embarrassé & qu'il s'étoit fait une loix lorsqu'on donnoit un commardent à quelqu'un de lui laisser choisir lui-même les off: qui devoient l'accompagner—que cependant il parleroit au chev. Carleton. Je lui dis que j'aurois pû lui donner le poste de Qr Mr G. mais que je n'avois pas voulu le faire dès que je m'étois aperçu qu'on souhaitoit d'envoyer le chev: Carleton en Canada, que cependant s'étoit le seul poste qui put convenir à Mathews. Je lui dis que le Lt G. du Détroit étant mort, si on pouvoit y joindre quelqn'autre chose, pouroit aussi convenir. Il me dit là dessus que je lui avois thémoiné cy dessus qu'on devoit abolir les Postes du Lt Gouverneur.

Budé dina chés moy je lui demanday son avis sur ce qu'on pouvoit faire p^r Mathews. Il me conseilla de demander le Poste d'Adjutant General en Ecosse qui devenoit vacant par le Col. Rosse qui passoit aux Indes avec le G. Lord Cornwallis.

Vendredi, 31.

Fait visite aux Mess. Pollen pour les inviter à diner Dimanche. Je fus à la cour pour y rencontrer Lord Sydney que je n'y trouvay pas. Je reçus le matin la liste de l'armée où je trouvai que de nos deux Batt: on n'avoit fait qu'un Régim^t. Je trouvay Lord Amherst à la cour qui me dit que le Qr Maître de mon Batt: étoit mort. Il ne me fit aucune mention du changem^t qui s'étoit fait aux Batt. en le reduisant en un seul Regim^t &c. &c.

Budé & le Major Gunn ont diné chés moy.

Samedi, 1 Avril.

Je fus chés Robertson p^r savoir s'il avoit obtenu le Regim^t des Dragons. Il me dit qu'il n'en avoit rien appris. Nous fumés ensemble chés Lord Amherst qui me parut un embarrassé, mais nous dit qu'il ne croyoit pas qu'il y eût rien de dessidé encore. Je lui parlay du changem^t que j'avois trouvé dans l'armée à regard de nôtre Regim^t. Il me répondit qu'il n'avoit pas encore vu la Liste, & sur ce que je lui demanday si on l'avoit consulté sur le changem^t, Il me répondit qu'on en avoit parlé il y avoit quelque temps, que lorsque les Batt: du même Regim^t se trouveroient ensemble, les officiers de ces deux Batt: devoient avancer ensemble, mais que lorsqu'ils se trouveroient dans differents pays les promotions se feroient dans chaque Batt: separement, mais que ça ne devoit faire aucune différence pour les colonies. Je m'aperçois qu'il y a quelque chose de caché là dedans qui éclora dans peu, & que le chev. Carleton aura le Regim^t un jour afin d'y pouvoir incorporer les Canadiens. Un projet que j'ai donné et dont je seray peut hêtre le duppe.

Je fus chés Lord Sydney pour lui demander l'employ d'adjutant general p^r Ecosse vacante par le Col: Rosse qui passe aux Indes avec lord Cornwallis. Il me dit que la chose étoit impossible, qu'il y avoit des applications de plusieurs personnes & que les Ecossois en general ne laisseroient pas passer les occasions d'avancer leurs amis.

Promené avec Robertson qui me dit que le G^l Mackay avoit obtenu le Generalat d'Ecosse afin de le mettre en état de payer l'argent qu'il avoit perdu au jeu à Mr Rigby, à qui il payoit chaque année tout ce qu'il pouvoit épargner, que d'ailleurs c'étoit un homme fantasque et avec lequel il étoit très difficile de vivre. Lord Sydney me fit comprendre qu'il ne croyoit pas que Robertson eût les Dragons. Il me parla du Lord Cornwallis & my Lady me dit que Sr John Bourgois laissoit une veuve & 6 enfans avec seulement £100 de rente et par consequent dans le misère & je crus m'apercevoir qu'on vouloit faire quelque chose pour cette famille au dépens de celui qui obtiendrait le Regim^t.

Je fus bien reçu de my Lord et my Lady & dinay fort agreablement. Son fils me parut avoir fort peu d'esprit—revenu chés moy à 8^h.

Was at Lord Sydney's office, to whom I spoke of the business of the posts, which he promised to conclude with Mr. Pitt. I told him that it appeared Mr. Pitt had made reflections on me in respect to economy in his praises of Sir Guy Carleton. He assured me it was the contrary and that he had never heard that Mr. Pitt had made reflections on that subject to my prejudice, &c., &c.

He told me then that he had received a memorial from Mathews asking for something that had much embarrassed him; that he had laid down a rule when a command was given to anyone to let him choose himself the officers who were to accompany him; that, however, he would speak to Sir Guy Carleton. I told him that I might have given him the post of Quarter master General, but that I did not wish to do so when I saw that it was desired to send Sir Guy Carleton to Canada; but that it was the only post that would suit Mathews. I told him that the Lieutenant Governor of Detroit being dead, if something else could be added to it, that might also suit. He told me thereupon that I had showed that the office of Lieutenant Governor should be abolished.

Budé dined with me. I asked his advice as to what could be done for Mathews. He advised me to ask the post of Adjutant General in Scotland, which was becoming vacant by Colonel Ross going to India with Lord Cornwallis.

31. *Friday.* Paid a visit to the Messrs. Pollen to invite them to dinner on Sunday. Went to Court to meet Lord Sydney, but did not find him there. I received the Army List in the morning, in which I found that our two battalions were made only one regiment. Found Lord Amherst at Court, who told me that the Quarter master of my battalion was dead, but did not mention the change made in the battalions by reducing them to one regiment, &c., &c.

Budé and Major Gunn dined with me.

April.

1. *Saturday.* Went to Robertson's to hear if he had obtained the Regiment of Dragoons. He said he had learned nothing about it. We went together to Lord Amherst's who seemed embarrassed, but told us he believed nothing had been yet decided. I spoke to him of the change that I had found in the army in respect to our regiment. He answered that he had not yet seen the List, on which I asked him if he had been consulted on the change. He said he had been spoken to about it some time ago; that when the battalions of the same regiment were together, the officers of these two battalions would advance together, but when in different countries the promotions would be made in each battalion separated, but that this would make no difference for the Colonies. I can perceive that there is something concealed, which will come to light shortly, and that Sir Guy Carleton will one day have the regiment, to be able to incorporate in it the Canadians, a plan which I gave, and of which I shall perhaps be the victim.

Went to Lord Sydney's to ask him for the post of Adjutant General in Scotland, vacant on account of Colonel Ross going to India with Lord Cornwallis. He said the thing was impossible; that there were applications from several persons, and that the Scotch in general would not let the opportunity slip of advancing their friends.

Walked with Robertson, who told me that General Mackay had obtained the Generalship of Scotland, in order to put him in a position to pay the money he had lost at play to Mr. Rigby, to whom he was paying every year all that he could spare, that, besides, he was a capricious man, with whom it was difficult to live. Lord Sydney led me to understand that he did not believe Robertson had got the Dragoons. He spoke to me of Lord Cornwallis, and my lady told me that Sir John Burgoyne had left a widow and six children with an income of only £400 and consequently in wretchedness, and I believe I can perceive that it is desired to do something for that family at the expense of whoever shall get the regiment.

I was well received by My Lord and My Lady and dined very agreeably. His son seemed to me to have very little sense. Home at half past eight.

Dimanche le 2^e.

J'allay avec le General Robertson faire une visite au G^l Prevost qui se trouva mieux que je ne contoisi; nous revinmes en ville à 4 heures. Mess. Poolon, le Baron Regensfeld & St. Ours dînèrent chés moy. Budé resta jusqu'à 10 heures et m'empêcha d'aller chés l'Ambassadeur de France. Je restay chés moy.

Lundy 3^e.

Je fis quelque visites, Budé a diné chés moy, nous fumes ensemble au concert du Baron d'Alvensleben où je trouvay le chev. Robert Hamilton qui me dit quelque chose sur le conte des Politesses que j'avois thémoigné à sa femme que je ne compris pas mais je suppose qu'il est piqué de ce que je ne lui ay pas thémoigné les égards que j'aurais dû, et il a certainement raison & il faut que je repare ma negligence. Nous allames de là chés Lady Amherst où il y avait grand monde qui tous avoient un air ennuié. My L^d n'avait pas quitté la maison des Pairs à 11½ heure le temps cà je me rendis chés moy.

Mardy 4^e.

Mon neveux vint déjeuner chés moy et me proposa d'acquérir £6000 dans les fonds des Indes afin d'avoir trois votes dans leurs délibérations ce qui me donneroit le moyen de servir quelques Personnes; j'y consentis.

Je l'accompagnay jusqu'à la cité & fis visite à M. Corre qui nous dit que sa femme avait une fièvre de lait qui nous empêcha de la voir. Diné chés moy et passé la soirée chés M^d Munster où il y avoit nombre de personnes, joué trois Roberts que je perdis en tout 1½ guinée.

Mercredy 5^e.

Fait visite à Mad^e Prevost, le Gen^l Christie et promenés en ville. Mad. Prevost, son mary, les G^l Robertson et Budé avec St. Ours ont diné chés moy. Madame P. me dit qu'elle souhaittoit d'avoir une conversation particulière sur des objets qu'elle ne pouvait confier qu'à moy.

Jedy le 6^e.

Diné chés le G^l Paterson avec le duc de St. Albans Lady Lang & le chev. son mary, Lady George Beauclair M^{lle} le G^l Murray, le G^l Paterson. Je jouay deux Roberts & y vis pr la première fois le G^l Clark nous nous fumes une révérence reciproque sans nous parler.

J'allay de la chés Madame Robertson où il y avoit beaucoup de jolies femmes, joué un Robert gagré deux guinées et revenu chés moy à 11½.

Vendredy 7.

Je rencontray Lord Amherst au Park qui m'assura que la commission de Carleton n'étoit pas signée, que la plus grande difficulté qui s'y rencontroit provenoit de ce qu'il demandoit à pouvoir donner des ordres (depuis Quebec) aux autres gouverneurs ce qui le chancelier pretend être contre la constitution. My Lord me dit qu'il devoit se rencontrer ce jour là au conseil, que Robertson par l'assistance du chef: Smith avoit préparé un papier dont il feroit usage pr s'assurer la possession des biens des Jesuites que le Roy lui avoit donné il y avoit longtemps, & dont il avoit payé la patente quoyque le chancelier n'eût pas voulu alors y apposer le grand sceau. Je lui avouay que si j'étois à sa place je ne ferois encorre aucune demarche, jusque à ce qu'il se trouvât une administration qui pût lui être plus favorable. Resté chés moy sans avoir pû obtenir sur moy d'écrire à Quebec & paresse inexcusable.

Samedy 7^e. [8]

Fait visite au G^l Robertson qui est fort impassion d'avoir le R: de dragons vacant.

Diné chés le Baron Alvensleben avec L^d Barrington, Lord Hyde, Lord sa femme & sa fille, son fils Lord avec sa femme un des plus joli visage que j'ay vu en Angleterre. Les deux Mess. de M^lzan, du Marobembourg, le G^l Calliot, sa femme, Madame Pitchel Budé et un officier qui m'a connu à Boston & a vendu.

2. *Sunday.* Went with General Robertson to pay a visit to General Prevost who is better than I expected. We returned to town at 4 o'clock. Messrs. Pollon, Baron Ragenfeld and St. Ours dined with me. Budé remained till ten and prevented me from going to the French Ambassador's. I stayed at home.

3. *Monday.* Paid some visits. Budé dined with me and we went together to Baron Alvensleben's concert, where I found Sir Robert Hamilton, who said something about the politeness I had shown to his wife, which I did not understand, but suppose he is piqued that I have not shown the attention I should have done, and he is certainly right and I must make up for my neglect. From there, we went to Lady Amherst's, where there were many people, who all looked bored. His Lordship had not left the House of Lords at half past eleven, the time I went home.

4. *Tuesday.* My nephew came to breakfast with me and proposed that I should purchase £6,000 in Indian stock, so as to have three votes in their meetings, which would enable me to serve some persons. I consented.

I accompanied him as far as the city and paid a visit to Mr. Coore, who told us his wife had a milk fever, which prevented her from seeing us. Dined at home and spent the evening at Mrs. Munster's, where were a number of persons. Played three rubbers, which I lost, in all a guinea and a half.

5. *Wednesday.* Paid a visit to Mrs. Prevost, and General Christie; walked into town. Mrs. Prevost, her husband, General Robertson and Budé with St. Ours dined with me. Mrs. Prevost told me she wished to have a private conversation on subjects which she could confide only to me.

6. *Thursday.* Dined at General Pattison's, with the Duke of St. Alban's, Lady Lang, her husband, Lady George Beauclair, Miss _____, General Murray, General Paterson. I played two rubbers. I saw General Clark there for the first time. We bowed to each other, without speaking.

Went to Mrs. Robertson's, where were many pretty women. Played a rubber, won two guineas and went home at half past eleven.

7. *Friday.* Met Lord Amherst, in the Park, who assured me that Carleton's commission was not signed. That the greatest difficulty arose from his demand for power to give orders (from Quebec) to the other governors, which the Chancellor alleges to be against the Constitution. His Lordship told me he was to be that day at the Council; that Robertson, with the assistance of Chief Justice Smith, had prepared a paper, which he would use, to secure possession of the Jesuits' Estates which the King had given him long ago, and for which he had paid the patent, although the Chancellor would not affix the Great Seal. I acknowledged that were I in his place I would have taken no further step, till he found an administration more favourable to him. Remained at home, without being able to use the exertion to write to Quebec and inexcusable laziness.

8. *Saturday.* Called on General Robertson, who is very eager to have the vacant regiment of dragoons.

Dined at Baron Alvensleben's, with Lord Barrington, Lord Hyde, Lord _____ his wife and daughter, his son, Lord _____ with his wife, one of the prettiest faces I have seen in England; the two Messrs. de Malzan of Marohenbourg, General Calliot, his wife, Mrs. Pechell, Budé and an officer who knew me at Boston and has sold out.

Dimanche, 9^e

Le temps froid & vent d'Esté très desagréable. J'ay été à la cour ou il y avoit peu de monde, revenu à 3½ heures.

Le Baron Regenfeld, Budé & le Cl Small ont diné chés moy & se sont retirés à 9 heures.

Lundy, 10^e

Fait visite à Mess. Davisson, M. & Mad. Corre & mon neveux.

Davison passa chés moy pour me dire que Ld Sydney l'avoit envoyé porter les dépêches à bord des vaisseaux p^r le Canada; qu'on a tout accordé à Joseph qui a reçu £1400 p^r les pertes qu'il a faites qu'il a emporté au dela de la valeur de £800 en Marchandises entre lui & sa sœur, & Davisson lui a donné un traite p^r le reste sur Quebec & lui a outre ça payé son passage.

Il me dit de plus que Robeau avoit été chés lui p^r le prier de Lui avancer de l'argent sur ce qu'il doit recevoir des Jésuites. Que la personne dans l'office qui lui en offre lui demande 15 p^r cent d'interest. Enfin il me paroît qu'on le joue, et que la conduite de cet office est abominable. Je crains bien d'en être aussi la dupe. Il me parlat de l'affaire des Postes et voudroit que j'en parlasse à M. Pitt & à M. Rose, ce qui seroit une courvée fort desagréable pour moy.

Il est certain par la conduite qu'on a tenu envers moy qu'on ne fera rien sans l'aveu de Carleton. Davisson me dit qu'il ne partiroit pas avant les couches de Lady Carleton ce qui le retiendroit jusques en juillet.

Mardy le 11^e.

Je fus faire visite au G^l Provost, revenu p^r diner au club qui fut nombreux. Sir Edmund Affliek president. Je reconduisis Robertson chés Lui où je restay jusqu'à 10 heures.

Je me plaignis à Lord Amherst de ce qu'on n'avoit aucun egard pour nous et nos services, que nous contions sur la protection que nous avions méritté à tous égard, mais qu'il ne nous protegeoit point. Il ne me repondit jamais que dans l'évasive. C'est un homme qui n'employera jamais son credit p^r personne, et qui certainement n'aime pas les étrangers.

Mercredy 12.

M. & Madame Prevost vinrent chés moy pour consulter le Docteur Adair, qui me dit après leur départ qu'il trouve Prevost plus mal qu'il ne pensoit. Ils doivent revenir Lundy pour avoir une consulte de docteurs.

Madame me dit qu'elle souhaiteroit de pouvoir vendre leur Campagne si non la louer. Elle me dit aussi qu'elle souhaiteroit que le General put obtenir une lettre de recommandation du ministre auprès de l'ambassadeur à Paris, ce qui me paroît faisable par le moyen de Budé. Été au Levée où Ld Cornwallis prit congé. Passé la soirée chés Madame Morisson ou il y avoit beaucoup de monde, perdu ½ guinée revenu chés moy à 11½ heures. Je reçus la visite de l'evêque d'Oxford.

Jedy 13^e.

Été au Levé du chev. George Yong, où il n'y avoit pas beaucoup de monde. Fait visite à Lady Holderness, Md Munster, en blanc, et au chev. Archibald Hamilton & my Lady que je ne trouvay pas. fait visite à l'evêque d'Oxford qui me reçut parfaitement, Il me parla de Lord North comme d'un très honethomme &c. Le G^l Taylor, St. Ours, Brown & mon neveux ont diné chés moy & se sont retiré à 9½.

Vendredy 14^e.

Je fus prendre le G^l Robertson pour faire une promenade à cheval, nous avons visitté la maison qui fut batie par M. Adams l'architecte pour y loger une fille qu'il entretenoit et qui lui a coutté £6,000 St. et elle fut vendue après sa mort à un C. Clark p^r £2000, et elle appartient aujourd'huy à M. Gordon, celui qui fut envoyé en Canada pour suplanter Cookran; tout le terrain ne contient que deux arpents qui payent £36 St. de rente foncière par année, le Lize est encorre pour près de 80 années. Le front de la maison est d'une très belle architecture, tous les appartements extrêmement bien distribués avec toutes les commodittés possibles. Mais le tout est très petit & par. la n'est propre que comme une guinguette. Il y a une serre bien

9. *Saturday.* Cold, with a very disagreeable east wind. Was at Court; a small attendance. Returned at half past three.

Baron Regenfeld, Budé and Colonel Small dined with me and left at nine o'clock.

www.libtool.com.cn

10. *Monday.* Visited the Messrs. Davison, Mr. and Mrs. Oore and my nephew.

Davison called to tell me that Lord Sydney had sent for him to carry the dispatches on board the ships for Canada; that every thing had been granted to Joseph who has received £1,400 for the losses he has sustained, that he has taken merchandise to the value of upwards of £300 between him and his sister and Davison has given him a bill for the rest on Quebec and has besides paid his passage.

He told me further, that Roubaud had been at his house to beg him to advance money on what he was to receive from the Jesuits; that the person in the office who is offering it to him asks 15 per cent. interest. In fact, it appeared to me that they were playing with him and that the conduct of that office is abominable. I am much afraid of being also its dupe. He spoke to me about the business of the Posts and would like that I should speak to Mr. Pitt and Mr. Rose, which would be a very disagreeable task for me.

It is certain for the course of conduct towards me, that nothing will be done without Carleton's consent. Davison tells me he will not sail before Lady Carleton has lain in, which will detain him till sometime in July.

11. *Tuesday.* Went to visit General Prevost, and returned to dinner at the Club, which was well attended. Sir Edmond Affleck president. Went with Robertson to his house, where I stayed till ten o'clock.

I complained to Lord Amherst, that no regard had been paid to us and our services, that we relied on the protection we had deserved in every respect, but that he did not protect us. He only made an evasive answer. He is a man who never uses his credit for any one, and who certainly does not like foreigners,

12. *Wednesday.* Mr. and Mrs. Prevost came to my house to consult Dr. Adair who told me after they left, that he found Prevost worse than he had thought. They are to return on Monday to have a medical consultation.

Mrs. Prevost told me that she would like to sell their place in the country or to let it. She also told me that she wished the General could obtain a letter of recommendation from the Ministry to the Ambassador at Paris, which appeared, by means of Budé, to be feasible.

Was at the levée, where Lord Cornwallis took leave. Spent the evening at Mrs. Morrison's, where was a numerous company, lost half a guinea and went home at half past 11. Had a visit from the Bishop of Oxford.

13. *Thursday.* Was at Sir George Yonge's levée; not many there. Paid visits to Lady Holderness, Mrs. Munster, neither was in; to Sir Archibald Hamilton, and to My Lady, whom I did not find. Called on the Bishop of Oxford, who received me perfectly. He spoke of Lord North as a very honest man, &c., General Taylor, St. Ours, Brown and my nephew dined with me and left at half past nine.

14. *Friday.* Went to take General Robertson for a ride. We visited the house built by Mr. Adam the Architect, to lodge a girl whom he kept which cost him £5,000 sterling and was sold after his death to C Clark for £1,000. It now belongs to Mr. Gordon, he who was sent to Canada to supplant Cochrane. The whole ground contains only two acres, for which the sum of £36 a year is paid for ground rent. The lease has still nearly 80 years to run. The front of the house is of very fine architecture, all the rooms well distributed with every possible convenience. But the whole is small and suitable only for a toy house. There is a green house well

placé au fond du jardin, qui est entouré de murailles, garnis d'espalliers, avec une promenade dans le milieu & en croix; de treillage couverte de chevrefeuille &c. cette maison contient des bains chauds & froide. Il y a de très bonne caves et toute sorte de commodité en mignature. Ecuries pr 5 chevaux & remises pr deux voitures, mais il n'y a aucune vue de la maison, & les murailles étant fort hautes, la chaleur doit y être étouffée & désagréable, en un mot ce n'est qu'une très jolie guinguette. Diné & passé la soirée chés moy.

Robertson me dit que le Col. Carleton vroit certainement en Canada comme gouverneur.

Samedy 15e.

Je fus chés Ld Amherst qui me conseilla de parler à Polock pr qu'il m'avertit du moment que la commission de Carleton comme Gouverneur Général seroit signée, afin que je puisse immédiatement parler à Lord Sydney & qu'il fit expédier l'ordre pour la paye de Lt. G1 sur le staff qui m'a été promise.

J'avois reçu le jour auparavant une lettre de Mr Hill de la Tresorerie pour que je payat à l'Echiquier les 2643 que je me suis reconntu devoir par mon conte avec le Public. Je fis voir cette Lettre à Pollock qui était avec moy lorsque je payay cette somme. Il fut surpris de ce que M. Wigglesworth ne lui avoit pas dit que je devois porter mon tally chés lui & en prendre un reçu &c. &c. Confusion de la part des Bureaux.

Je rencontray le Cap. LeMaitre chés Pollock qui m'offrit ses services pr le Canada, & me dit que la Fregate qui devoit transporter le chr Carleton ne seroit pas prête à faire voile dans un mois, et j'appris par le G1 Robertson que Carleton devoit premierement aller à Halifax & de là à Quebec.

Dimanche le 16e

Je suis allé avec Robertson faire visite au General Prevost, & revenu par Hampsted où j'ay vu mon neveux & sa famille. Revenu à 3½ & diné chés moi, le Major Mathews est arrivé à 9 heures du soir bien portant et fort satisfait de son voyage.

Lundy 17e

La Gazette a annoncé la nomination extraordinaire du chev. Carleton au gouvernement de Quebec, la Nouvelle-Ecosse & Brunswick, &c.

Je rencontray M. York au Park qui fut très surpris de cette nomination de même que Ld Amherst, qui me conseilla d'aller chés Ld Sydney pr l'engager à me donner une lettre qui m'assurera les appointements de Lt Genl. Je fus à son office il n'y étoit pas.

Revenu chés moy on je trouvoy M. & Mad. Prevost. Il y avoit eu une consulte entre le chevallier Richard Jebb & Adair sur l'état du general qu'ils trouverent fort mal, & lui conseilla de partir pr le Continent le plus tot qu'il seroit possible. Ils dînerent chés moi avec Robertson & Adair. Le chev. Jebb me dit qu'il ne croioit pas que Prevost put se rétablir cu aller loin.

Mme Prevost me thémoigna quelque inquiétude. Je lui conseillay d'arranger toutes ses affaires dans ce pays afin que si elle ne pouvoit pas revenir cet authonne rien ne periolitat. Je lui conseillay aussi d'avertir sa campagne dans les papiers pr vendre &c. &c. Elle souhaitoit fort de pouvoir venir en ville sans son Mary afin de faire des visites aux dames qui lui ont fait des politesses.

Le 14e Mars 1756 donné a mon domestique Maigro a conte des dépenses de la maison.

Un bill de £15	} £30 5 0	{ Solde conte avec mon domestique les depenses jusques au 29 Mars Mon toit à £33 0 6½.
do 10		
Guinées 5 5.5		

Le 29 Mars donné un bill de 50..... 50 00
plus dix guinées..... 10 10

le 19 Avril donné 9 guinées..... 9 9
finis le conte avec l'aide du G1 Prevost des effects qu'on a retiré

de la Caroline.

placed at the end of the garden, surrounded by walls, fitted with espaliers, with a walk in the middle cross shaped, and trellises covered with honey suckle. The house contains hot and cold baths, very good cellars and every sort of convenience, &c.; stables for five horses and coach house for two carriages, but there is no view from the house and the walls being very high the heat must be stifling and disagreeable. In a word it is only a very pretty box. Dined and spent the evening at home.

Robertson told me that Colonel Carleton was certainly going to Canada as Governor.

15. *Saturday.* Went to Lord Amherst's, who advised me to speak to Pollock, that he might give me notice the moment Carleton's commission as Governor General was signed, so that I might at once speak to Lord Sydney, and that he might have the order passed immediately for the pay of Lieutenant General on the staff which was promised me.

I had received the day before a letter from Mr. Hill, of the Treasury, that I should pay to the Exchequer the £2,643, which by my account I had acknowledged I owed to the public. I showed this letter to Pollock who was with me when I paid that amount. He was surprised that Mr. Wigglesworth did not tell him that I was to carry my tally to him and get a receipt for it, &c., &c. Confusion on the part of the departments.

I met Captain LeMaistre at Pollock's, who offered me his services in Canada, and said that the frigate that was to convey Sir Guy Carleton would not be ready to sail for a month and I learned from General Robertson that Carleton was to go in the first place to Halifax and from there to Quebec.

16. *Sunday.* Went with Robertson to pay a visit to General Prevost and returned by Hampstead, where I saw my nephew and his family. Returned at half past three and dined at home. Major Mathews arrived at 9 o'clock in the evening, looking well and much pleased with his trip.

17. *Monday.* The *Gazette* has announced the nomination extraordinary of Sir Guy Carleton to the Government of Quebec, Nova Scotia, New Brunswick, &c.

Met Mr. Yorke in the Park, who was much surprised at this nomination, as was Lord Amherst, who advised me to go to Lord Sydney and to get him to give me a letter, which would secure me the allowances of Lieutenant General. I went to his office; he was not there.

Returned home, where I found Mr. and Mrs. Prevost. There had been a consultation between Sir Richard Jebb and Adair on the condition of the General, which they found very bad and advised him to leave for the continent as soon as possible.

They dined with me along with Robertson and Adair. Sir Richard Jebb told me he did not believe that Prevost would recover or go on long.

Mrs. Prevost showed some uneasiness. I advised her to arrange all her affairs in this country, so that if she could not return in the autumn nothing would be in danger. I also advised her to advertise her country house in the papers for sale, &c., &c. She wished very much she could come to town without her husband in order to pay visits to the ladies who had shown her polite attractions.

On the 14th March, 1786, gave to my servant Maigro, on account of house expenses:

A Bill for.....	£15	} £30.5.	{ Wages account with my servant the expenses to the 29th March were £33. 0. 6½
do	10		
Guineas	5.5		
On the 29th March gave a bill for 50.....			50. 00. 00
plus ten guineas			10. 10. 00
On the 19th April gave 9 guineas.....			9. 09. 00

Finished with the help of General Prevost the account effects withdrawn from Carolina.

d' de ce qu'il devoit à l'agent sur son Batt. & que l'agent a porté sur mon conte.

King faiseur des roues—Darial St.

La Commission du G. en chef du G. Carleton dattée du 24 Janv. 86.

Le 18e Avril 1786.

Je passay chés L^a Sydney pr le faire ressouvenir du Major Mathews, il me dit qu'il verroit le chev^r Carleton demain & qu'il verroit ce qu'on pourroit faire pr lui.

Je lui dit ensuite qu'ayant vu par la Gazette que les affaires du chev^r Carleton estoient arrangées j'esperoit qu'il auroit pensé à moy, il me dit que mon affaire estoit faite, & son fils me dit que l'ordre estoit signé pour me continuer les appointements de L^a G^l. Je lui fis voir ensuite la lettre de Lord Barrington du _____ par où il m'apprend que çavoit toujours été l'intention de SaM. que les appointem^{ts} qu'elle m'accordoit alors comme Inspecteur Gen me fussent assuré de la façon la plus solide, & je lui dis que je serois charmé d'avoir une Lettre de sa part qui m'assurat la même chose. Il me dit que ça n'estoit pas nécessaire mais qu'il souhaittoit fort qu'on nous accordat à Prevost & à moy la Naturalisation complete afin que nous pussions servir partout. Je lui dis que Prevost estoit fort mal & ne seroit jamais en état de servir, que par raport à moy je me flattois bien que s'il y avoit une guerre on se rappelleroit mes services passés, & que si ma santé vouloit le permettre j'esperois qu'on voudroit bien m'employer. Il me dit que la grande Naturalisation estoit une chose qui devoit nous estre agreable, & que par la on pouroit me donner un gouvernem^t afin d'epargner ma paye. Je lui dis que si on me donnoit un gouvernem^t il faudroit que les appointem^{ts} fussent aussi bons que ma paye, & même mieux. Qu'on devoit dans le cas ou je suis allé en augmentant plutot que de diminuer de revenu.

J'allay de là chés Pollock qui me paroit fort serieux, & en lui montrant la lettre de Lord Barrington il me dit qu'il s'en souvenoit très bien, de même que celle de Lord Geo. Germaine. Je rencontray le chef de justice Smith en descendant l'escalier. Il me dit que les commissions du G^l Carleton n'estoient pas encore signées & qu'il ne partiroit pas avant un mois. Je fus chés le G^l Carleton qui est allé hors de ville pour trois jours, fait plusieurs visites. Diné chés Lord Sydney avec L^a Stopford & Mr Broadrick-Dormy, père & fils.

Le Mercredi 18e

Robertson vint chés moy pour me faire voir une lettre qu'il avoit reçu d'Ogilvy concernant les pretentions de L^d Amherst à l'égard du bien des Jesuites en Canada. Il demandait des éclaircissements sur l'établissement de cette société &c. lui marquant que je pouvois les donner. Je lui dis que le Père Rotan estoit la personne la plus propre pr l'eclaircir sur tout ce qu'il souhaiteroit de savoir & il me pria beaucoup de lui faire faire connoissance avec lui. Sur ce que je dis à Robertson que je ne croyois pas que le tems fust propre pour demander à être mis en possession de ces biens. Il me dit qu'il en avoit parlé au juge Smith qui croyoit que L^d Amherst avoit des droits incontestables & qu'il devoit les avoir. Il me parut croire que je ne m'y intéressois pas assez. Nous eumes une longue conversation sur ce sujet, ou je pus comprendre qu'il fait le bon vallet avec L^d Amherst, & que celui cy (qui ne rendit jamais service à personne) vouloit se servir de nous, sans paroître lui-même. Lord Amherst passant devant ma maison nous le suivimes et revinrent chés moy, ou nous agittames la chose. J'avois cru jneques alors que la Patente du roy (pour mettre Lord Amherst en possession de tout les biens des jesuites) avoit été faite & signée, & ne demandoit que le grand sceau, que le chancelier avoit refusé d'y apposer. Mais je compris qu'il n'y avoit en qu'un ordre du Roy dans son conseil pour ordonner au solliciteur & advocat général &c. de former cette Patente ce qu'ils avoient refusé de faire jusqu'à ce qu'ils eussent plus d'éclaircissements &c. enfin L^d Amherst en se retirant nous dit qu'il nous laissoit le soin de ménager ses interets que pr Luy il ne s'en monteroit point Cet affaire est très desagréable pour moy, & peut me faire du tort vis à vis du Ministère, & de Carleton.

Ditto of what he owes the agent on his batt and forage, which the agent has carried to my account.

King, wheelmaker, Dariel street.

General Carleton's commission as General-in-Chief, dated 24th Jany. '86

18 April, 1786. Called on Lord Sydney to remind him of Major Mathews. He told me he would see Sir Guy Carleton to-morrow and see what could be done for him.

I then said, that having seen by the papers that Sir Guy Carleton's affairs had been settled, I hoped that he had thought on me. He said my business was settled, and his son told me that the order was signed to continue to me the allowances of Lieutenant-general. I then showed him Lord Barrington's letter of the _____ in which he informed me that it had always been His Majesty's intention, that the allowances granted me as inspector general should be secured to me in the firmest manner, and told him that I would be charmed to have a letter from him which would assure me of the same thing. He said it was not necessary, but that he wished very much that complete naturalisation was granted to Prevost and me in order that we might serve any where. I told him that Prevost was very ill and would never be able to serve; as to me, I flattered myself that if there were a war, my past services would be recalled, and that, if my health permitted, I hoped to be employed. He told me that full naturalisation was a thing which should be agreeable to us and that by it he could give me a government in order to save my pay. I told him that if a government were given the allowances must be as good as my pay and even better. That in my present circumstances my income should be increasing rather than diminishing.

From there I went to Pollock's, who appeared very serious. On showing him Lord Barrington's letter, he said he remembered it very well, as well as that from Lord George Germaine. In going down stairs I met Chief Justice Smith. He said that General Carleton's commissions were not yet signed and that he would not leave for a month. Went to General Carleton's, who has gone out of town for three days. Paid several visits. Dined at Lord Sydney's with Lord Stopford, and Mr. Brodrick-Dormy, father and son.

19. *Wednesday.* Robertson called to show me a letter he had received from Ogilvy respecting Lord Amherst's claims in regard to the Jesuits' Estates in Canada. He wanted information on the establishments of this society, &c., stating that I could give it. I told him that Father Roubaud was the most suitable person to enlighten him on all he wished to know, and he was urgent that I should introduce him. On this I told Robertson that I did not believe that it was a fit time to be put in possession of the estates. He told me that he had spoken about it to Judge Smith who believed that Lord Amherst had incontestable rights and that he should have them. He seemed to believe that I did not take enough of interest in the matter. We had a long conversation on this subject, by which I could see that he was playing the flunky to Lord Amherst, and that the latter (who never does a good turn to anyone) wanted to make use of us without himself appearing. Lord Amherst passing in front of my house, we followed him and returned to it where we discussed the matter. Till then I had believed that the King's patent (to put Lord Amherst in possession of all the Jesuits' Estates) had been drawn up and signed, only requiring the Great Seal, which the Chancellor had refused to affix, but now I understood that there was only an Order in Council, instructing the Solicitor and Advocate General, &c., to frame this patent, which they had refused to do until they had clearer information, &c. At last, Lord Amherst, on leaving, told us that he left the care of looking after his interests to us, and he would not get excited over the matter. The affair is very disagreeable for me and may do me mischief with the Ministry and Carleton.

Le cap : Foley, le B. McLean & le C^l Oullin dinèrent chés moy & nous restames plus tard à table que je ne l'aurois souhaitté. Nous conclumes que Oullin ne pouvoit pas obtenir l'agence du 60^e Régiment, Ogilvy est trop necessaire à L^d Amherst, & par là il commanda le Regim^t pretence pr faire mieux par la suite.

Jedy le 20^e

Mon neveux vint déjeuner chés moy. J'allay à la citté pr prendre £200 sur mon Banquier de la chés le chev. J. Seberight & le Baron Alvensleben où je restay jusqu'à près de 5 heures. St-Ours dina chés moy ou je passay la soiréa.

Vendredy, 21^e

Le G^l Robertson vint chés moy pour me dire que le chev. Howe devoit avoir le Régiment de Dragon. Il en etait fort piqué & croyoit que ça ne pouvoit provenir que de la haine que les Howe lui portoit depuis qu'il avoit été obligé de dire devant le parlement ce qu'il pensoit au sujet de ce que nos Troupes en auroient pu faire, etant persuadé qu'elles estoient assez nombreuses pour avoir pu mettre les Rebelles à la raison. Il me dit ensuite que lorsqu'il fut à la cour après avoir suby tous les examens, le roy parut le recevoir avec beaucoup de bonté, de même que tous ceux qui souhaitteroient le bien, mais qu'il voyoit bien aujourd'huy que toutes ces marques de satisfaction ne signifient rien, & que tout dépend des Ministres &c. &c.

Je fus voir l'exhibition de M^r des Enfants et le Museum de la Duchesse de Portland. Diné chez moy avec St Ours. Passé chés Mad. Trayen & de là au bal de Mad. Sydney ou je trouvay 22 couples d'enfants les plus jolis qu'on puisse examiner. Le Duc de le Comte de Merton &c., &c., M^r Georges Selvin s'y trouverent, revenu chés moy à 1½ heure du matin..

Samedy 22^e

Je fus à la citté avec le Major Mathews, fait visite à Lady Holderness qui n'etoit pas chés elle, été au Museum et revenu chés moy à 4 heures, diné à la Maison et fait un tour à Hampstead.

Le G^l Bruce que je recontray me dit qu'il avoit vu dans le M : Herald, ou le Cronicle, une lettre contre moy écrite au Roy par le Docteur Blake, se plaignant de je ne sais quoy. Chargé Freeman de chercher cette Gazette esperant par le moyen de Col : Hoys de pouvoir repondre à cette Lettre. Diné chés moy après quoy je fus à Hampstead.

Dimanche 23^e

J'envoyay au chev : Carleton le Plan du nouveau batiment que j'ay fait au Chateau St. Louys. Je fus luy faire visite il étoit sorti. Je trouvay my Lady qui desendoit de carosse. Je montay avec elle dans sa chambre ou je ne restay qu'un moment. Elle me dit que le chev : n'achetteroit aucun meubles & ne feroit point de dépenses.

J'allay diner à Hampstead avec le G^l Robertson, le Dr Brown, Mathews & Friman. Revenu à 9 heures.

Lundy 24^e

Je reçus un Billet de Robertson qui vouloit que je fesse venir le P. Robeau chés moy ou il le rencontreroit comme par hasard. Je fus chés lui pr lui porter l'adresse de Robeau & lui conseilley de traiter avec luy d'une façon ouverte, concevant qu'il est dangereux pr moy de paroître dans cette négociation.

Je vis le Col : Spray des Ingenieurs que je presentay ensuite au Colonel Taillem, dans le Regim^t duquel il souhaite passer son fils. Je fus chés L^d Amherst que je ne trouvay pas.

Voyant que le Major Mathews étoit fort embarrassé pr satisfaire les personnes qui lui ont avancé l'argent pour acheter sa Majorité, & qu'il étoit obligé de faire assurer sa vie a raison de 5 guinées pour £100 par année, outre l'interest de £1400 au 5 pr cent, je chargeay mon neveux de lui pretter £1400 st à quatre pr cent dont je me rend responsable au cas que Mathews vint à mourir avant que d'avoir payé cette somme. Mon neveux en a pris un simple billet sur papier timbré qu'il gardera pour sa sureté, avec un ordre du Major sur l'agent de son Régim^t pour payer chaque année l'interest de cette somme au 4 pr cent.

Captain Foley, Brigadier McLean and Colonel Cullen dined with me and we sat longer at table than I could have wished. We concluded that Cullen could not obtain the agency of the 60th Regiment; Ogilvy is too necessary to Lord Amherst, and thus he commands the regiment—a pretense to do better hereafter.

20. *Thursday*. My nephew breakfasted with me. Went to the city to draw £200 from my bank account. From there to Sir J. Seberight and Baron Alvensleben's where I stayed till nearly 5 o'clock. St. Ours dined with me and I spent the evening at home.

21. *Friday*. General Robertson came to tell me that Sir William Howe was to have the regiment of dragoons. He was much annoyed at it, and believes that it could only proceed from the hatred of the Howes towards him, since he had been obliged to say before Parliament what he thought on the subject of what our troops might have done, being persuaded that they were numerous enough to have brought the rebels to reason. He told me then that when he was at Court, after having undergone all the examinations, the King appeared to receive him with much goodness, as did all those who wished well, but that he saw now that all these marks of satisfaction signified nothing and that everything depends on the Ministers, &c., &c.

Went to the exhibition of M. des Enfans and the Duchess of Portland's Museum. Dined at home with St. Ours. Called on Mrs. Tryon and from there to Lady Sydney's ball where I found 22 couples of children, the prettiest imaginable. The Duke of Lord Morton, &c., &c., Mr. George Selwyn was there. Returned home at half-past one in the morning.

22. *Saturday*. Went to the city with Major Mathews. Paid a visit to Lady Holderness, who was not at home. Was at the museum and returned home at four; dined there and took a turn to Hampstead.

General Bruce, whom I met, told me that he had seen in the *Morning Herald or Chronicle*, a letter against me, written to the King by Dr. Blake, complaining of I know not what. Told Freeman to look for the paper, hoping by means of Colonel Hoyes to answer the letter. Dined at home, after which I went to Hampstead.

23. *Sunday*. Sent Sir Guy Carleton the plan of the new building I had put up at the Chateau St. Louis. I went to visit him but he had gone out. I found her Ladyship, who was getting out of her carriage. I went into the house with her, but remained only a moment. She told me Sir Guy would purchase no furniture, nor incur any expense.

I went to dine at Hampstead with General Robertson, Dr. Brown, Mathews and Freeman; returned at 9 o'clock.

24. *Monday*. Had a note from Robertson, who wished me to get Father Roubaud to my house; where he could meet him as if by chance. I went to his house, taking Roubaud's address, with whom I advised him to deal openly, believing that it is dangerous for me to appear in this negotiation.

Saw Colonel Spry of the engineers, whom I afterwards presented to Colonel Taillon, in whose regiment he wishes to place his son. Went then to Lord Amherst's, but he was out.

Seeing that Major Mathews had great difficulty in satisfying the person who advanced him the money to purchase his majority, and that he was obliged to assure his life at five guineas per cent a year, besides the interest on £140 at five per cent., I directed my nephew to lend him £1,400 at four per cent., for which I would become responsible in case Mathews should die before having paid that amount. My nephew has taken a simple note on stamped paper, which he will keep for his security, with an order from the major on the agent of his regiment to pay annually the interest of this amount at four per cent.

Diné chés moy et allé ensuite à Hampstead ou je fus surpris d'apprendre que mon neveux avoit resollu de partir pour Suisse Samedi prochain & de prendre ses deux filles avec luy. Je lui proposay le Docteur Brown ou Pichy pour les accompagner, mais il me parut qu'il souhaitteroit plustot une fille de chambre pour ses filles & un bon Domestique au fait de voyager. Il me dit qu'il avoit vendu £2000 de mes fonds au 5 pr cent à 106 pour avoir l'argent qu'il a prêté à Mathews & pour satisfaire à ce que je lui re dois.

Mardy 25e

J'allay chés M. Corre avec Mathews et nous convinmes que je dinerai chés lui samedi pour aranger toute choses. Je revins chés Ld Amherst qui me fit voir une lettre que le Gl Robertson lui a écrit lorsqu'il apprit que le Gl Howe avait obtenu le Regiment de Dragons. Elle est courte et une des Lettres les mieux écrites que j'ay vue. My Lord l'admireoit beaucoup & je pus m'appercevoir qu'il se proposoit de la faire voir au Roy. Il trouvoit bien malheureux de voir que le Roi se voyoit souvent obligé de sacrifier ses inclinations à celles de ses ministres.

My Lord me dit que Lord Sydney lui avoit parlé il y avoit deux jours & lui demanda s'il convenoit qu'avec la paye de Lt General on m'accorda mes aides de camp. Lord Amherst lui dit que oui, que puisqu'on m'avoit accordé un aide de camp comme Major General on devoit m'en accorder deux aujourd'huy. Il croit que Lord Sydney lui avoit parlé la dessus seulement par manière d'information, mais il fut extrêmement surpris de s'appercevoir par là que la chose n'étoit pas encore terminée. Il me conseilla d'en parler à Lord Sydney, mais de supposer que la chose étoit faite, mais en lui faisant sentir qu'il étoit nécessaire que je reçusse une Lettre à ce sujet afin de pouvoir en informer mes amis.

Je revins chés moy où je rencontray Madame Prevost. Elle alla faire des visites & je sortis pr affaire. En revenant je rencontray Lord Sydney avec le Chev. Howe que je felicittay. My Lord me dit ensuite qu'il avoit passé chés moi pour me dire qu'il avoit parlé à Carleton qui lui avoit dit qu'il avoit réservé une plasse d'aide de camp pour le Major Mathews que par rapport à moy mon affaire étoit faite & il me demanda si je n'avois pas reçu une Lettre du Secrétaire de la Guerre, sur ce sujet qu'elle avoit été approuvée du Roy. Il me fit ensuite plusieurs protestations d'amitié disant qu'on devoit avoir toute sorte d'attention à mes services, & qu'il seroit toujours charmé de rendre service à tous ceux pour qui je m'intéressais. Je pris occasion de parler du Docteur Maben & de la façon dont j'en avois agis avec Carleton, lorsque j'allay à Quebec, en prenant toute sa famille & son Etat Major, & en achetant tous ses meubles. Il trouve que j'avois agy très-generousement, &c.

En revenant chés moi M. & Mad. Prevost avec Mme Ashton qui demeure à Walton on the Tames, environ 18 milles de Londres, son nom de famille étoit Shernighan. C'est une tres aimable [dame] Elle dina chés moy & m'invitta beaucoup à Lui faire une visite à la campagne.

Mathews me parut extrêmement content de l'offre & de la Poste que Carleton lui destinoit. J'en suis moi-même fort charmé parce qu'il pourra veiller sur la conduite du Docteur, et prévenir ses fougues politiques.

Mercredy 26e

Je fus avec Mathews faire visite à Ld Sydney & de là chés Nepean, qui m'assura beaucoup que je pouvois compter sur Lui dans tout ce qu'il pourroit faire pr moy & mes amis. Il dit à Mathews qu'il avoit appris que j'étois fâché contre Lui, et Mathews chercha à le persuader du contraire. Cecy vient de Davisson auquel il ne faut pas trop se fier.

Je priay Pollock de vouloir bien continuer à assister mon neveux a recouvrir mes payes comme auparavant, c'est à dire en lui payant 5 guinees pr année. Il me parut vouloir le faire avec plaisir & en fait notte.

Je fus faire visite au chev. Carleton que je ne trouvay pas & de là chés mon neveux. Budé & Davisson dînèrent chés moy, le dernier me fit voir la copie de la Lettre écrite au Col. Hope au sujet des Postes, on ne peut rien de plus positif, &

Dined at home and then went to Hampstead, where I was surprised to learn that my nephew had resolved to leave for Switzerland on Saturday next, and to take his two daughters with him. I proposed that Dr. Brown or Pitchy (Peechy?) should accompany them, but it appeared that he preferred a waiting maid for his daughters and a good servant acquainted with travelling. He told me that he had sold £2,000 of my five per cent. stock at 106, to get the money he has lent to Mathews, and to discharge what I owed him.

25. *Tuesday.* Went to Mr. Coore's with Mathews, and we agreed that I should dine with him on Saturday to settle everything. I returned to Lord Amherst's, who showed me a letter which General Robertson had written, when he learned that General Howe had obtained the regiment of Dragoons. It is short and one of the best written letters that I have seen. His Lordship greatly admired it, and I could see that he intended to show it to the King. He thought it very unfortunate that the King saw himself often obliged to sacrifice his inclinations to those of his ministers.

His Lordship told me that Lord Sydney had spoken to him two days before and asked if it were necessary with the pay of Lieutenant-General I should be given aide-de-camp. Lord Amherst said yes, that as I had been granted one aide-de-camp as Major General, I should now be granted two. He believes that Lord Sydney had spoken to him on the subject only by way of information, but was extremely surprised to see by it that the matter was not yet settled. He advised me to speak about it to Lord Sydney, but on the supposition that the matter was settled, making him feel, however, that it was necessary I should receive a letter on the subject, to enable me to inform my friends of it.

I returned home, where I met Mrs. Prevost. She was going to pay visits and I went out on business. In returning I met Lord Sydney, with Sir William Howe, whom I congratulated. His Lordship then told me that he had called to say that he had spoken to Carleton, who said that he had reserved a place as aide-de-camp for Mathews; that with respect to myself my business was done, and asked me if I had not received a letter from the Secretary of War saying that every kind of attention was to be paid to my services and that he would always be delighted to render service to all those for whom I interested myself. I took the opportunity of speaking to him of Doctor Mabane, and of the manner in which I had acted with Carleton, when I went to Quebec, by taking all his family and his staff and purchasing all his furniture. He considered that I had acted very generously, &c.

On returning home [I found] Mr. and Mrs. Prevost with Mrs. Ashton, who lives at Walton-on-the-Thames about 18 miles from London; her family name was Sher-nighan. She is very amiable. She dined with me and pressed me to visit her in the country.

Mathews appears extremely satisfied with the offer of the post which Carleton intends for him. I am myself delighted, because he may watch over the Doctor's (Mabane) conduct and prevent his headstrong politics.

26. *Wednesday.* Went with Mathews to pay a visit to Lord Sydney, and from there to Nepean, who assured me that I could rely on him in anything he could do for me and my friends. He told Mathews that he had been informed I was annoyed with him, and Mathews tried to convince him to the contrary. It came from Davison who cannot be trusted too much.

I begged Pollock to continue to assist my nephew to recover my pay as formerly, that is, on paying him five guineas a year. He appeared to be willing to do so with pleasure, and made a note of it.

I went to pay a visit to Sir Guy Carleton, whom I did not find and from there to my nephew's. Budé and Davidson dined with me, the latter showed me a copy of the letter written to Colonel Hope respecting the Posts; there could be nothing

une autre lettre de M. Rose par où je vois pleinement que c'est par l'intérêt seule de la maison de Comberland qu'il les a enfin obtenu.

Mes agents ont payé à mon neveu £1833 St. pour mon conte.

www.libtool.com Le 27^e Jedy.

Mon neveu vint déjeuner chez moy pour me dire qu'on lui avoit conseillé de louer une chaise à Poste à Calais pour éviter tous les embarras qu'il rencontreroit dans la route s'il prenoit une voiture anglaise.

Je fus voir Robertson & Rigaud & de la chez le Secrétaire de la Guerre, qui me fit appeller dans son cabinet pour me dire que le Roy m'avait accordé fort gracieusement la continuation de mes appointem^t de L.-G. en y ajoutant des termes les plus gracieux sur mon sujet. Qu'il s'en alloit à l'office pour m'écrire une Lettre à ce sujet et que je devois me trouver demain au Levé pour baiser la main du Roi.

Le Major Mathews qui revenoit de chez Ogilvy lui dit que c'étoit moy qui lui avoit prêté l'argent qu'il devoit à Frazier pour sa commission de Major, et il m'ajouta la dessus qu'il se feroit un devoir de le dire à plusieurs Personnes, qu'il y en avoient qui seroient charmé de faire croire au Public que c'étoit de son propre mouvement que Carleton l'avait nommé un de ses Aide de Camp et que je n'y avoit aucune parte.

Vendredi 28^e

Je fus chez Lord Amherst auquel je rendis conte de la conversation que j'avois eu la veille avec le chev. Yong. Il eut la complaisance d'envoyer à l'office des Guerres pour voir s'il n'y avoit point de Lettre pour moy, on Lui dit que non. J'allay de la à la Cour, et par son avis je demanday à Lord Darnley si je devois baiser la main. Il consulta Lord Lowthian qui lui dit que non. Lord Sydney, qui entra peu après, me dit qu'il n'étoit pas nécessaire que je baisasse la main, qu'il étoit surpris que je n'eusse pas encore reçu la Lettre du chevalier Yong qu'il la lui avoit communiqué et qu'il l'avoit trouvée fort convenable. Le Levé nombreux, et commença tard, Lorsque le Roy m'approcha je le remercia de la grâce qu'elle avoit bien voulu m'accorder. Il me répondit qu'il n'avait fait que de me rendre justice, et le repeta deux ou trois fois et me dit qu'il n'avoit qu'une seule façon de penser sur mon conte. Il le repeta en haussant la voix en ajoutant qu'il ne changeroit jamais de façon de penser sur mon sujet. Je l'assura que je négligeray aucune occasion de me rendre digne de ses bontés, (je le sais bien, je le sais bien me dit-il), et il passa à un autre Personne qui se trouvoit entre le chev. York et moy. Lorsque celui-cy sortit je lui dit que le Roy avoit été fort gracieux. Il me dit qu'il avait tout entendu, que le Roy étoit just et bon, et que s'il vouloit seulement agir par luy meme tout en yroit mieux.

Samedi, 29^e

J'allay à la Secrétairie des Guerres. Mr March me fit voir la minutte de la Lettre que le chev. Yong m'a écrit. Je remarquay qu'on avoit raturé l'endroit où il étoit fait mention de mes aides de camp, qu'on avoit certainement eu l'intention de me les accorder. Quoyque la Lettre ne fut pas entrée. Il me la remiroit disant qu'on l'entreroit sur la minutte. (N.B. Il sera très nécessaire de s'informer si elle est entrée crainte d'accident.) J'allay diner chez M. Corre où je passay la soirée avec les D^{ns} Daschwood.

Dimanche 30^e

Je fus avec le docteur Adair voir G^l Prevost que nous trouvons plus mal, & qui sera obligé de renvoyer son départ. Sr John Caldwell & le G^l McLellan dinèrent chez moy, le premier se propose à faire un voyage dans le Levant.

Lundy 1^e May.

Je rencontray L^d Amherst au Park à qui je fis voir La lettre que j'avois reçu du chev. Yong. Il fut surpris de voir qu'on m'avoit refusé les 2 aide de camp. Il me dit que lorsque Lord Sydney luy en parla Il lui avoit dit que certainement on devoit me les accorder—cecy est quelque tour que les sous secretaires m'ont joué. Je soubonne Louys. Diné chez moy.

more positive and another from Mr. Rose, by which I saw that it is only by the influence of Cumberland's firm that he had at last obtained them.

My agents have paid to my nephew £1,833 sterling on my account.

27. *Thursday.* My nephew breakfasted with me, to tell me that he had been advised to hire a post chaise at Calais, to avoid all the annoyances he would meet on the road, if he took an English carriage.

I went to see Robertson and Rigaud, and from there to the Secretary of War, who called me into his private office to tell me that the King had very graciously granted the continuance of my allowances of Lieutenant-General, adding the most gracious terms with respect to me. That he was going to the office to write me a letter on the subject, and that I was to be to-morrow at the levée to kiss the King's hand.

Major Mathews, who returned from Ogilvie's, told him that it was I who had lent him the money he owed to Frazer for his commission as major; and he added to me thereupon, that he would make it a duty to say the same to several persons who would be delighted to make the public believe that it was from his own motion that Carleton had appointed him one of his aides-de-camps, and that I had had no share in it.

28. *Friday.* I went to Lord Amherst's, to whom I gave an account of the conversation I had had the evening before with Sir George Yonge. He had the politeness to send to the War Office to see if there was no letter for me, and was told "No." I went from there to the Court, and by his advice asked Lord Danby if I were to kiss hands. He consulted Lord Lothian, who said no. Lord Sydney, who entered shortly after, said it was not necessary I should kiss hands; that he was surprised I had not yet received the letter from Sir George Yonge; that he had communicated it to him, who had considered it very proper. The levée was well attended, and began late. When the King approached me I thanked him for the favour he had granted me. He answered he had only done it to render me justice, and repeated it two or three times, telling me he had only one manner of thinking with respect to me. He repeated it, raising his voice in adding that he would never change his manner of thinking of me. I assured him that I would neglect no opportunity of rendering myself worthy of his goodness—(I know it well, I know it well, he said), and he passed to another person who was beside Sir Joseph Yorke and me. When that person left, I said that the King had been very gracious. He told me that he had heard everything; that the King was just and good, and that if he would only act by himself everything would go better.

29. *Saturday.* I went to the War Office. Mr. Marks showed me the minute of the letter which Sir George Yonge had written me. I remarked that the place was erased where mention was made of my aides-de-camp, and that it had certainly been the intention to grant me them. Although the letter was not entered, he handed it to me, saying that it would be entered on the minutes. (N.B.—It is very necessary to inquire if it is entered, for fear of accidents.) I went to dine with Mr. Coore, where I spent the evening with the Misses Dashwood.

30. *Sunday.* Went with Dr. Adair to see General Prevost, whom we found worse, and who will be obliged to defer his departure. Sir John Caldwell and General McLean dined with me. The former is proposing to make a voyage to the Levant.

May.

1. *Monday.* Met Lord Amherst in the park, and showed him the letter I had received from Sir George Yonge. He was surprised to see that I had been refused the two aides-de-camp. He said that when Lord Sydney spoke to him of it, he had told him that certainly they ought to have been granted me. It is some trick played by the under secretaries; I suspect Lewis. Dined at home.

Mardy 2 May.

Je fus avec le Docteur Brown voir le G^l Prevost que nous trouvames encorre plus mal. Je pris cet occasion pour demander à Madame Prevost si le Gen^l avoit fait un Testament. Elle me dit qu'elle l'ignoroit entièrement—qu'il ne Lui en avoit jamais parlé. Je lui proposay de Lui en parler, & de lui en faire parler par M. Adair. Elle me priat de n'en rien faire, crainte de l'allarmer. Je luy dis que si le G^l n'avoit pas fait de testament que tous les biens fonds iroient à l'ainé de ses fils, & que les autres en souffriroient. Elle me répondit que si la chose avoit lieu elle ne doutat pas que son Père ne favorisait les autres Enfants, & Elle me priat encorre de ne point parler la dessus à Mr Prevost ny même à M. Adair. Je revins en ville avec Adair & passay la soirée ches le chev. Robert Hamilton ou je gagnay 5 Robers.

Mercredy 3e

Je fus à la cour ou je trouvay le chev. G. Yong que je remerciay. Il me dit assés froidement qu'il espéroit qu'il avoit remporté mes vees. Diné ches moy.

Jeudy 4e

Je partis à 7. heures du Matin avec M. Adair voir Prevost, mais malheureusement il étoit mort à 3 heures du Matin. Je vis Madame et toute la maison dans une grande affliction, après les premiers moments elle me donna la clef du Bureau de son Mary me priant de voir si nous y trouverions un Testament. J'examinay ses papiers en présence de M. Darade, Moultry, Brown & Adair mais nous ne trouvames rien, pas même son contrat de Mariage. Comme il avoit laissé une casette ches Mr à la cité nous crumes que le Testament pourroit sy trouver. Elle m'en donna sa clef et je m'y rendis avec M. Tessier. Nous ouvrimes la casette dans laquelle nous ne trouvames que ses commissions, quelques Medailles et d'autres Bagatelles. Je dinay chés M. Tessier qui après avoir parlé à M. Corre pour prendre son avis partit avec Madame Tessier pour se rendre chés Madame Prevost. A mon arrivée en ville je fus d'abord ches Lord Amherst pour lui annoncer la mort de Prevost le priant de se ressouvenir de Christie. Je lui dis en même temps que Prevost n'avoit pas laissé de bien et que sa veufve se trouvoit charge de cinq jeunes enfants & que j'osois esperer que le Roy leurs accordoit quelque faveurs. Il me répondit qu'il faudra voir dans quel etat il avoit laissé ses affaires. Je passay ches Christie en revenant ches moy. Il me parut sensible à mon attention p^r Lui.

Je vis Lord Sydney à l'office, qui me parut sensible à la mort de Prevost & m'assura qu'il feroit tout ce qu'il pouvoit pour la veufve, & que je pouvois l'en assurer de sa part. Il me dit qu'il avoit connu Grau le banquier & sa femme qui étoit fort belle. Je passay chés M. Tessier le Vendredy 5 qui me fit voir la copie du Contrat de Mariage de Madame Prevost & la copie de la lettre qu'il écrivoit à Grau, où il lui marquoit l'état dans lequel Prevost avoit laissé ses affaires. J'allay de là à Green Hill Grove ou je trouvay Mad Prevost mieux que je ne l'esperois. Elle me parut consentir facilement à rester dans ce Pays, afin d'y établir ses Enfants, & elle m'avoua qu'elle y avoit plus de connoissance, que chés elle. Il n'y avoit que l'amitié qu'elle avoit p^r son père qui lui faisoit souhaiter de passer en France. Je demanday à Lord Sydney le poste de Lt. Gov. d'Antigue p^r Mathews sans rien desider il me paru porté à me rendre service. Passay chés Moultry en revenant.

Samedy, le 6e

J'allay voir exercer les Gardes, & diné chés Lord Amherst avec Robertson, Ross, Ogilvy & Watts. Revenu chés moy fort peu satisfait de l'autesse. Je remarquay que Robertson & Ogilvy prenoit toutes les occasions de flatter my Lord et qu'il volontiers à.

Dimanche le 7e

Je conduisis M. & M^{de} Moultry à Green Hill Grove, ou je trouvai M. & Mad. Tessier, M. & Mad. Shew, Madame Burton & Mad. Gardener, je trouvay Madame Prevost assés bien, mais chaque nouvelle Personne qui entroit renouvelloit ses douleurs. Elle souhaitoit que son mary ne fut enterré que le plus tard qu'il seroit possible. M. Tessier qui venoit de consulter M. le Juge Wells craignoit qu'on ne fut

2. *Tuesday.* Went with Dr. Brown to see General Prevost whom we found still worse. I took that opportunity to ask Mrs. Prevost if the General had made a will. She said she was entirely ignorant of it, that he had never spoken to her about it. I proposed ~~to speak to him of it~~ and to get Mr. Adair to speak of it. She begged me to do nothing, for fear of alarming him. I told her, that if the General had not made a will all his heritable property would go to the eldest of his sons, and that the others would suffer. She answered me that if that took place she did not doubt that her father would favour the other children and she begged me again not to speak to Mr. Prevost on the subject nor even to Mr. Adair. I returned to town with Adair and spent the evening at Sir Robert Hamilton's, where I gained five rappers.

3. *Wednesday.* Went to the Court, where I found Sir George Yonge, whom I thanked. He said, coldly enough, that he hoped that he had fully met my views. Dined at home.

4. *Thursday.* Went at seven in the morning with Mr. Adair to see Prevost, but unfortunately he had died at three in the morning. I saw Mrs. Prevost and the whole house in great affliction. After the first moments, she gave me the key of her husband's desk to see if we could find a will. I examined the papers in presence of Messrs. Durade, Moultry, Brown and Adair, but we found nothing, not even his contract of marriage. As he had left a box with Mr. _____ in the city we believed that the will might be found there. She gave me the key to it. I went there with Mr. Tessier. We opened the box in which we found only his commissions, some medals and other trifles. I dined with Mr. Tessier, who after having spoken to Mr. Coore, to get his opinion, left with Mrs. Tessier for Mrs. Prevost. On my arrival in town I went first to Lord Amherst's to announce the death of Prevost, begging him to remember Christie. I told him, at the same time, that Prevost had not left any property and that his widow had to provide for five young children and that I ventured to hope that the King would grant them some favour. He answered, that it must be seen in what state he had left his affairs. I called on Christie in returning home. He seemed sensible of my attention.

I saw Lord Sydney at the office, who seemed to feel the death of Prevost and assured me that he would do all he could for his widow and that I might, on his behalf, assure her of this. He told me that he had known Gran the banker and his wife, who was very beautiful. I called on Mr. Tessier on *Friday* the 5th, who showed me the copy of Mrs. Prevost's marriage contract and the copy of a letter to Mr. Gran, in which he had told him the state in which Prevost had left his affairs. From there I went to Green Hill Grove, where I found Mrs. Prevost better than I had hoped for. She appeared to consent easily to remain in this country in order to settle her children there and acknowledged that she had more acquaintances there than at home. It was only from the friendship she had for her father that made her wish to go to France. I asked Lord Sydney for the post of Lieut. Governor of Antigua for Mathews; without deciding anything, he seemed disposed to render me service. Called on Moultry in returning.

6. *Saturday.* Went to see the Guards exercised and dined at Lord Amherst's with Robertson, Ross, Ogilvy and Watts. Returned home very little satisfied with the "Highness." I noticed that Robertson and Ogilvy took every opportunity to flatter His Lordship and that he [accepted it] willingly.

7. *Sunday.* I took Mr. and Mrs. Moultry to Green Hill Grove, where I found Mr. and Mrs. Tessier, Mr. and Mrs. Shew [Shaw?], Mrs. Burton and Mrs. Gardner. I found Mrs. Prevost pretty well, but each person who entered renewed her grief; she wished that the funeral should be deferred as long as possible. Mr. Tessier, who had been consulting Judge Wills, was afraid that recourse must be had to Chancery

obligé d'avoir recours à la chancellerie pour arranger l'oirrie du Général. Il me dit qu'après avoir examiné toutes les affaires il croyoit que le bien se monoitter à ce qui produiroit environ de rente annuelle. Mais M. Davidson me fit remarquer que Tessier n'avoit évalué la campagne qu'à £8000 & par les différentes questions qu'il lui a fait il suppose qu'il a envie de l'acheter lui-même.

Revenu dîner chés moy avec Moultry resté à Table jusqu'à 10 heures.

Lundy 8e May.

Le capt° St. Ours vint environ les 11 heures du matin m'apporter une lettre de Graff qui estoit arrivé. Il m'apportoit une lettre du G. de Riedesel qui me disoit que Graff estoit dans l'intention de passer aux Indes Orientales, qu'il estoit muni des lettres de recommandation du Duc de York & de Prince Ferdinand pour Lord Cornwallis. Ce qu'il y a de singulier c'est que pour complaire à son Père et sa Mère il a retardé son voyage d'une 15e de jours, & que pour sa commodité il a demeuré un mois en chemin, de sorte que si Lord Cornwallis n'avoit pas été obligé de rentrer dans le Port à cause du vent contraire il seroit arrivé icy 8 jours trop tard, encore est il incertain s'il trouvera my Lord à Portsmouth, & encore plus s'il pourra le prendre avec lui.

Mardy, 9e

Le Cap^t Graff vint chés moy & me dit que le G^l de Riedesel lui avoit conseillé de voyager avec quelque jeune Personne riche qui peut dans la suite lui faire une pension. Il me cita là dessus l'exemple du Major Green. Je lui fis naître quelques difficultés qu'il ne vouloit pas concevoir, voulant me faire croire que mon crédit seule pouvoit lui faire obtenir tout ce que je voudrois &c.

Il me parla ensuite du fils de Glaisenberg. Ces allemands croyent que quand ils recomandent une personne on doit se charger d'eux, fournir à leur dépence et à leurs Education. Je ne pus pas m'empêcher de lui faire concevoir combien la chose estoit extraordinaire. Je lui conseillay d'envoyer la Lettre qu'il avoit de M. de Riedesel par le jeune Glaisenberg avant que de l'envoyer à Portsmouth. Graff est chargé de beaucoup de lettres de recommandation particulièrement du Gen^l de Riedesel et de quelques jeunes Anglois qui sont à Bronswick. Il me dit que jeune Lord Fitzroy n'est pas assez riche pour qu'il puisse esperer à voyager avec lui avec avantage.

Diné chés Budé avec le Gen^l Grenville, le Major Gunn & le Colonel Wongenheim. La conversation que nous eumes au sujet du Gouverneur Hastings me fit subçonner qu'il porte le Matras sur les deux epolles. Je lui demanday la permission de lui presenter Graff & le priay de lui parler tout sur le projet qu'il avoit de passer aux Indes. Je fus fort content du General Grenville au sujet de la conversation que nous avons sur le militaire, & la difference qu'il y a entre les troupes d'Autriche & les Prussiens.

Mercredy 11e

Je fus voir Madame Prevost qui me communique le dessein qu'elle avoit d'offrir sa campagne à M. Tessier & la réflexion qu'elle avoit faite sur l'idée de Tessier d'y aller vivre en famille avec elle. L'idée de paroître le Housekeeper de Tessier le choquoit & la détermina à lui offrir sa campagne et à venir s'établir en ville. Elle me fit voir l'obligation en parchemin que M. Grau son père lui avoit faite pour sa dotte, qui est de £100,000 tournois à 5⁶/₁₀ sur la maison d'Orneca à Amsterdam pour 4 années & dont elle retire £500 St. par année. Revenu en ville pour aller au Levé où Lord Sydney m'annonça de la part du roi que S. M. avoit accordé le L. Gouv. d'Antigna au Major Mathews & le chargea de me dire que c'étoit entièrement à ma consideration. Le Roi me demanda comment se portoit Madame Prevost & Lord Sydney m'assura qu'on feroit quelque chose pour elle.

Je vis à la cour le G^l Stoken, ancien connoissance du service d'Hollande, & le Conte Ivan de Galafkin qui me reconnut d'abord.

Budé, le Baron, St. Ours, & Graff dinèrent chés moy. Graff sortit de bonne heure pour tacher de voir le Baron ou Gen^l de Vangenheim. }

to settle the General's estate. He told me that after having examined all the affairs he believes that the property would amount to _____ which would yield about _____ of yearly income. But Mr. Davison pointed out to me, that Tessier had valued the country seat at only £8,000, and from the different questions he put, supposes that he wishes to purchase it himself.

Returned home with Moultry and remained at table till 10 o'clock.

8. *Monday.* Captain St. Ours came about 11 o'clock in the morning to bring me a letter from Graff who had arrived. He brought me a letter from General de Riedesel, telling me that Graff intended to go to the East Indies, that he was furnished with letters of introduction from the Duke of York and Prince Ferdinand to Lord Cornwallis. What is singular is that to please his father and mother he delayed his journey for a fortnight, and for his own convenience spent a month on the road, so that if Lord Cornwallis had not been obliged to return to port, on account of contrary winds, he would have arrived eight days too late. It is even uncertain if he will find His Lordship at Portsmouth, and still more so if he can take him with him.

9. *Tuesday.* Captain Graff called, and told me that General de Riedesel had advised him to travel with some rich young man, who could afterwards give him a pension. He quoted the example of Major Green on this point. I started some difficulties which he would not conceive of, wishing to make me believe that my credit alone could obtain for him all he wanted, &c.

He then spoke to me of de Gleisenberg's son. These Germans believe that when they recommend any one, one ought to undertake to furnish their expenses and education. I could not help making him understand how extraordinary this was. I advised him to send the letter he had from M. de Riedesel for young Gleisenberg, before sending it to Portsmouth. Graff has a large number of letters of recommendation, particularly from General de Riedesel and from some young English people who are in Brunswick. He told me that young Lord Fitzroy was not rich enough, to make him hope to travel with him to advantage.

Dined at Budé's with General Grenville, Major Gunn and Colonel Wingenheim. The conversation we had respecting Governor Hastings made me suspect that he has two strings to his bow. I asked leave to present Graff and begged him to speak plainly to him respecting his plan of going to India. I was well pleased with General Grenville with regard to our conversation on military affairs, and the difference there is between Austrian and Prussian troops.

11. *Wednesday.* I went to see Mrs. Prevost, who communicated to me her intention of offering her country house to Mr. Tessier, and the reflection she had made on Tessier's idea of taking up house there with her. The idea of appearing as Tessier's housekeeper shocked her, and determined her to offer him the house and to settle in town. She showed me the obligation, on parchment, which Mr. Grau, her father, had given for her dowry, which is 100,000 livres Tournois at 5 per cent., upon the firm of Orneca, of Amsterdam, for four years, of which she drew £5 10 sterling a year. Returned to town to go to the levée, at which Lord Sydney informed me, on behalf of the King, that His Majesty had granted the Lieutenant Governorship of Antigua to Major Mathews and had charged him to tell me that it was entirely on my account. The King asked me how Mrs. Prevost was, and Lord Sydney assured me that something would be done for her.

I saw at Court General Stoken, an old acquaintance in the Dutch service and Count Ivan de Galafkin, who recognised me at once.

Budé, the Baron, St. Ours and Graff dined with me. Graff left early to try to see the Baron, or General de Vingenheim.

Jedy 12.

Fait visite au G^l Stoken & au Conte de Galofkin que je ne trouvay pas chés eux. Je fus à la cour qui fut très nombreuse. Lord Sydney m'aborda, & me dit qu'il avoit un ordre particulier du Roy de me dire que c'étoit uniquement à ma recommandation qu'il avoit donné le poste de L G. à Mathews, sans cependant que ça diminuât en rien au meritte de Mathews. My Lord me parut plus ouvert et gay avec moy qu'il n'étoit auparavant. Sans doute qu'il suppose s'être acquitté avec moy des promesses qu'il m'avoit faites. (Il faut croire qu'on en est persuadé & ne rien demander) j'avois été au Levé du chev^r Yong qui me parut assez froid, il y avoit peu de monde. Ramené le G^l Anislay diné chés moy! Fait visite le soir au G^l Christie qui a obtenu le 2^e Batt. Il me fit mille protestations d'amitié & de reconnoissance pour ce que j'avois fait pour lui. J'allay de soir faire visite au G^l & à Madame Robertson que je ne trouvay pas chés elle. Lord Amherst & Lord Southampton me diè que Graff Leurs avoit apporté des lettres de recommandations du Duc Ferdinand & de Gen^l Riedesel pour lui procurer un passage avec Lord Cornwallis, & Ils me disent que même s'il étoit arrivé plus tot Lord Cornwallis n'aura pas pû le prendre avec lui; que les Vaisseaux des Indes (par les derniers reglemens fait) ne pouvoient prendre aucun passager qu'il ne fut employé par la Compagnie.

Vendredy.

Diné chés M. Ross avec Lord Amherst, le G^l Robertson, le Gen^l Pattison, le Gen^l Mr Watts, le Col: & Mathews. Je fus le soir chés Bédé qui me remit le cachet p^r son frère M. de Boisy. Il me dit qu'il falloit prendre B. tel qu'il étoit, &c.

Samedy.

Fait une visite à Mad. Prevost que je trouvée habillé en deuil, et qui fut longtemps à paroltre. Je la trouvay fort raisonnable et avec l'espérance que ses affaires se termineroient à sa satisfaction. On l'avoit assurée que le traité de mariage seroit rempli suivant le sens qu'on pouvoit l'interpréter en Suisse. M. Ducadon arivat & je revins en ville le Cap^e Douglas, le Lt Hans Douglas, le Brig^r Mathews et le Docteur Brown dinoient chés moy, le Doct^r Brown étoit engagé à accompagner le Col: Clerk à la campagne et à rester quelque temps avec lui sur le pied de son médecin.

Je donnay 20 guinées au Docteur Adair de la part de Madame Prevost pour les soins qu'il avoit pris du Gen^l Il fit beaucoup de difficultés de les accepter.

Dimanche.

St-Ours et Graff dinèrent chés moy, le dernier me dit que tout le monde l'asseroit que si même il avoit rencontré Lord Cornwallis icy Il n'auroit pas pû le prendre avec lui, & il me parut penché à l'abandonner son projet.

Le Lundy 15^e May.

Je fus chés L^d Amherst & lui fit part de la conversation que j'avois

1787.

Lundy 1^e Janvier.

Le Baromètre depuis hier se trouveroit à 30 $\frac{1}{2}$ de pousces plus haut que je ne l'ay vû depuis que je suis dans ce pays.

J'allay faire visite à Lady Sydney à Froggnall qui m'a reçut fort bien de même que la famille. J'en reparti à deux heures & arivay à 4 heures chés moy, après avoir été obligé de marcher plus de 5 milles, avant que ma voiture put me joindre. Mes domestiques étant allé déjeuner dans une Taverne.

2. Mardy.

Je me suis réveillé avec un gros Rhume qui m'a obligé à garder la chambre. Le G. Robertson qui vint me voir me dit qu'il avoit appris du G^l Gage que le Colonel Kemball trouvoit fort mauvais qu'on l'eut rappellé p^r faire place au Col: Hope qui est son Oadet. Etherington doit être dans le même cas p^r faire place au Col. Carleton qui certainement ne meritte pas de faveur.

Rson me dit que le G^l Pattison n'avoit jamais de Regim^t parce qu'il doit avoir parlé au Roy d'une façon peu respectueuses ça peut l'être mais au moins l'est-il mieux servy que Cton.

12. *Thursday.* Visited General Stoken and Count de Galaffin, but did not find them at home. I went to the Court, which was not numerously attended. Lord Sydney accompanied me and said that he had a particular order from the King to tell me that it was only on my recommendation that he had given the post of Lieutenant Governor to Mathews, but that in no respect detracted from the merit of Mathews. His Lordship appeared franker and more cheerful with me than formerly. No doubt he supposes that he has discharged the promises he made me. (It must be believed that one is persuaded of it and will ask nothing). I had been at Sir George Yonge's levée, who appeared pretty cold; few there. Brought back General Annasley who dined with me. Called in the evening on General Christie, who has got the second battalion. He made a thousand protestations of friendship and gratitude for what I had done for him. Went to pay a visit to General and Mrs. Robertson, who were not at home. Lord Amherst and Lord Southampton told me that Graff had brought letters of recommendation from Duke Ferdinand and General Riedesel to procure him a passage with Lord Cornwallis, and said that even if he had arrived sooner, Lord Cornwallis could not have taken him; that the East Indian ships (according to the latest regulations) could take no passenger, unless it was some one employed by the company.

Friday. Dined at Mr. Ross' with Lord Amherst, General Robertson, General Pattison, General _____, Mr. Watts, Colonel _____ and Mathews. Went in the evening to Budé's, who handed me the seal for his brother M. deBoisy. He told me I must take B. as he was.

Saturday. Paid a visit to Mrs. Prevost, whom I found dressed in mourning. She was long in making her appearance. I found her very reasonable, and hopeful that her affairs would be settled satisfactorily. She had been assured that the contract of marriage would be carried out according to its interpretation in Switzerland. Mr. Ducadon arrived and I returned to town. Captain Douglas, Lieutenant Hans Douglas, Brigadier Mathews and Dr. Brown dined with me. Dr. Brown was engaged to accompany Colonel Clerk to the country and to remain some time with him as his medical attendant.

I gave 20 guineas to Dr. Adair on behalf of Mrs. Prevost for his attendance on the General. He objected strongly to accept them.

Sunday. St. Ours and Graff dined with me. The latter said that every one assured him that even if he had met Lord Cornwallis here, he could not have taken him. He appears inclined to give up his scheme.

15 (16). *Monday.* Was at Lord Amherst's and told him of the conversation I had.

1787—January.

1. The barometer since yesterday has been at 30 $\frac{1}{2}$ inches; higher than I have seen it since I have been in this country.

Went to pay a visit to Lady Sydney at Frogmore, who received me well, as did the family. I left at two o'clock and arrived home at four; after having been obliged to walk more than five miles before my carriage could join me, my servants having gone to breakfast in a tavern.

2. *Tuesday.* Awoke with a bad cold, which obliged me to keep my room. General Robertson, who came to see me, told me that he had learned from General Gage, that Colonel Kembal (Kemble?) was much annoyed that he was recalled to make room for Colonel Hope, who is his junior. Etherington was to be in the same situation, to make room for Colonel Carleton, who certainly does not deserve favours.

Robertson told me that General Pattison had never had a regiment because he must have spoken to the King in terms wanting in respect. This perhaps, but at least he served him better than Carleton.

Roba me dit que Ross devoit quitter l'agence & que l'Ogilvey faisoit sa cour au Lt Amherst pr qu'il le continue dans l'agence de notre Regimt Il n'y trouvera pas de difficulté.

J'ay donné à mes Domestiques pour leur Nouvel an :

à Mde Fairchild.....	6	guinées.
à Wm Tuckfield.....	2	“
à Ernest.....	1	“
à François.....	1	“
au cocher.....	$\frac{1}{2}$	“
au groom.....	$\frac{1}{4}$	“
à la cuisinière.....	1	“
à Jany.....	1	“

13 guinées.

Mercredy 3^e

Mon rhume a augmenté. Je n'ai point dormy. J'ay eu la fièvre, et me suis levé avec un grand mal de tête.

J'ay eu la visite du G^l Robertson et de St James Napier. Le G^l Budé, le Col. Goldsworthy, et le Docteur Fischer ont diné chés moy.

Jendy 4^e

J'ay pris du petit let en me couchant, mais il estoit si fort que j'en ay eu la fièvre toute la nuit, sans pouvoir transpirer n'y dormir, j'ay envoyé chercher le Docteur Adair qui m'a fit préparer une mixture qui doit me soulager. Mon neveux qui vient déjeuner chés moy, m'amena le jeune Bourgeois qui me paroît un très joly garçon et qui j'espère fera très bien.

Reçu une lettre de Major Prevost du Philadelphia du 20^e septembre, qui chante des jeremiads, il faudra que je me charge de son fils qui est lieutenant dans le Regiment. Il ne me fait pas esperer que je puisse tirer grand party des terres que j'ay en P.

Vendredy 5^e

J'ay passé une assez bonne nuit et sans fièvre, transpira un peu ce qui a fait passer le mal de tête mais le rhume presque aussi fort qu'hier.

Adair a passé chés moy, et m'a ordonné une autre emulsion qui doit exciter l'expectoration avec le secours du thé de son, avec de la grain de lin.

Le Col. Goldsworthy et Budé m'ont fait visite. Lord Amherst qui a passé icy après la cour m'a thémoinné de l'empressement comme à son ordinaire, et m'a fait les compliments de my Lady qui doit m'envoyer une carte pour Mercredy prochain.

Le fils du Major Prevost Lt dans le 7^e Regiment m'est venu voir et m'a fait lire une lettre qu'il a reçue de son Père, qui m'a paru bien écrite. Il depeint les raisons qui l'avoient déterminé de quitter le service content sur les terres considérables qu'il avoit héritté de son beau Père, et que le congrès a cédé à la Province de Virginie et qui ne veut accorder aucun dedomagement à Prevost de sorte qu'il se voit hors d'état de lui donner aucun secours pécuniaire, de sorte que le jeune homme ayant perdu le Gnl. P. son grand père se trouve fort embarrassé. Il faudra que j'en prene soin.

J'ay reçu ma pendule de Quebec qui estoit toute en pièce, faute d'avoir été bien emballé. N.B. Lorsque on doit quitter un endroit pour n'y plus retourner on ne doit rien laisser en arriere n'y se fier à peronne. Donné un Billet de £20 st. au Cap. Freeman à conte.

Samedy 6^e

J'ay fort peu dormy mais sans fièvre. J'ay un peu expectoré le Matin ce qui a dégagé ma poitrine, cependant le Rhume continue. Reçu les visites de Budé, St Thomas Mills, Sir Isaack Heard qui est venu chercher mon habit doublé de Palissot pr faire le sien dans le même goût. Le Capt Pinton, autrefois dans notre Régimt est venu me consulter et me prier de m'intresser auprès de St G. Yong pr lui faire obtenir une compagnie d'Invalides.

Le Lt Prevost m'est venu voir & me dit qu'il est indispensablement obligé de joindre son Regimt, mais qu'il doit 50 pièces à l'agent & qu'il manque d'argent pour

Robertson told me that Ross was to give up the agency, and that Ogilvy was paying his court to Lord Amherst, that he might continue in the agency of our regiment. He will find no difficulty in this.

Gave my servants for their new year gifts: Mrs. Fairchild, 6 guineas; W. Tuckfield, 2 g.; Ernest, 1 g.; François, 1 g.; coachman, $\frac{1}{2}$ g.; groom, $\frac{1}{2}$ g.; cook, 1 g.; Jany, 1 g. 13 guineas.

3. *Wednesday.* My cold has increased; I have not slept, had fever and rose with a bad headache.

Visited by General Robertson and Sir James Napier. General Bilé, Colonel Goldsworthy and Dr. Fischer dined with me.

4. *Thursday.* Took a whey posset on going to bed, but it was so strong that it made me feverish the whole night, and I could neither perspire nor sleep. I sent for Dr. Adair, who prepared a mixture to relieve me. My nephew, who came to breakfast with me, brought young Bourgeois, who seems a very fine boy and who I hope will do well.

Received a letter from Major Prevost, from Philadelphia of the 20th September, who chants Jeremiades. I must take charge of his son, who is lieutenant in the regiment, who gives me little hope of deriving much benefit from the lands I have in P. (Pennsylvania).

5. *Friday.* Passed a fairly good night and without fever; perspired a little, which took away the headache, but the cold almost as bad as yesterday.

Adair called and ordered me another emulsion which was to promote expectoration with the help of bran tea with linseed.

Colonel Goldsworthy and Budé paid me a visit. Lord Amherst, who called after the Court, exhibited his usual fussiness, and gave me Her Ladyship's compliments, who is to send me a card for Wednesday next.

Major Prevost's son, lieutenant in the 7th Regiment came to see me, and made me read a letter he had received from his father which seems well written. He pointed out the reasons which had determined him to leave the service; relying on the considerable property he had inherited from his father-in-law and which Congress has ceded to the Province of Virginia, which will grant no indemnity to Prevost, so that he is not in a position to give him any pecuniary assistance; the young man having lost General Prevost, his grandfather, is much embarrassed. I must look after his interest.

I have received my clock from Québec, which was in pieces, for want of being properly packed. N.B. When leaving a place not to return, nothing should be left behind, nor should any one be trusted. Gave a note of £20 sterling to Captain Freeman, on account.

6. *Saturday.* Slept very little, but without fever. Expectored a little in the morning, which cleared my chest, although the cold continues. Received visits from Budé, Sir Thomas Mills, Sir Isaac Heard, who came to ask for my lined coat from Pallison, to have his made in the same style. Captain Pinton, formerly in our regiment, came to consult me and to ask my interest with Sir George Yonge, to obtain for him a company of pensioners.

Lieut. Prevost came to see me, and told me that he was absolutely obliged to join his regiment, but that he owes 50 pieces to the agent and is in want of money for his journey. I told him to ask Captain Shaw to call on me to-morrow. Gave a dinner with me.

son voyage. Je lui ai dit de prier le Capt Shaw de passer chés moy demain. Gunn diné avec moy.

J'ay payé aujourd'huy la lettre de change que le Major Edward Ward de Philadelphie a tiré sur moi en faveur de M. Richard Vaux, or Order, de 148. 2. 5. St. datté du 1^r Octobre 1786.

Cette sôme est certainement une extorsion qu'il faut que je supporte crainte que miserable ne s'empare de Terres que j'ay en Pensilvanie.

Dimanche le 7^e.

J'ay pris une once de sel, mais qui n'a pas produit beaucoup d'effet, la dose étoit peut-être trop petite. J'ay assés bien dormy & un peu transpiré sur le matin, et je me trouve beaucoup mieux et le rhume diminué.

Lord Amherst vint me faire visite, je consenty que le Mate que le Col. Etherington a nommé pour mon Batt : y fut appointé.

Le G^l Koninghame [Cunningham] me dit que tout le monde trouvoit extraordinaire que my Lord Carmarthen eût invité toute l'opposition à diner chés luy le jour de Naissance, on doit luy avoir entendu dire qu'on ne l'avoit pas consulté sur le Traité de Commerce. Le Cap^e Shaw et mon neveux vinrent me voir, le premier me dit qu'il avoit examiné les contes et les finances du Lt Prevost du 7^e Regmt. Il me dit que toutes les dettes pouvoient monter à £130 st. qu'elles provenoient principalement pour avoir été envoyé en recrue à l'âge de 15 années et pour avoir été volé par son domestique qui lui avoit prit tout ce qu'il avoit.

Je donnay au Cap^e Shaw, en présence de mon neveux un traite de £100 St. (sur mon Banquier) en le priant de les employer à arranger les affaires de Prevost mieux qu'il pouvoit. Que je lui faisois présent de cette somme.

Le B. McLean passa chés moy. Il me dit qu'il avoit lu en manuscrit l'histoire de la Grande Armée par Hall, qu'ayant vu qu'il avoit fait plusieurs changements dans l'impression il lui en parla et Hall lui dit que le Major McKenzie secretaire du Gen. How, & fort son amy étant passé chés luy avoit fait changer plusieurs choses, lui disant qu'il devoit savoir les affaires mieux que luy. McLean croit qu'on l'a gagné parceque peu de temps après Il a obtenu un employ à Dublin qui lui vaut une guinée par jour. Small avec les officiers du 2^e Btt. des Emigrants avoient suscrit pour un certain nombre d'exemplaires & ont payé 80 piastres sans jamais en avoir pu en recevoir un, l'imprimeur disant qu'il les avoit tous vendus, ce qui fait soupçonner qu'ils ont été tous achetés par des Personnes intéressées.

Lundy le 8^e

Fort incomodé de la toux pendant une partie de la nuit, sans avoir beaucoup expectoré. Mes jambes étant enflées j'étois couché mal à mon aise. Une transpiration qui est survenue contre le matin, m'a tranquilisé & j'ay eü quelques heures d'un sommeil assés tranquille & en me levant le matin j'ay trouvé que l'enflure qui m'étoit survenue autour de la cheville grille étoit entièrement dissipée, ce qui j'attribue à la medicine que j'ai pris la veille.

J'allay porter des cartes à Ld & Lady Amherst & je passay chés Christie que je trouvay retenu au lit par la goutte. Il me communiqua une correspondance qu'il avoit eue avec Lord Amherst & Ross & Ogilvy au sujet de l'habillem^t du 3^e Btt qui fut perdue pendant la guerre. Il m'a toujours paru que Lord Amherst n'agissoit pas bien dans cette affaire, & que les agents n'en agissoit pas honnetem^t. Je lui ay conseillé d'offrir à my Lord de nommer des officiers generaux pour arbitrer, afin d'éviter la dépençe des Loix, &c.

Revenu chés moy à trois heures, la poitrine toujours fort chargée.

Le Major Gunn vint me dire le remede que Lady Fosset me proposoit pour mon Rhume. Budé & Gunn diné chés moy.

Mardy 9^e

Peu dormy, transpiré et un peu reposé contre le matin.

Mon neveux vint déjeuner avec moy & dit que ses filles devoient apprendre l'Italien dans l'esperance de voyager en Italie. Lady Holderness envoya voir comment je me portais. Le Cap^e Kenedy a reçu de Lettres de son fila, il paroit être fort content.

Paid to-day the bill Major Edward Ward, of Philadelphia, drew on me in favour of Richard Vaux, or order, for £148. 3. 5 sterling, dated 1st October, 1786. This sum is certainly an extortion, which I must stand, in case the miserable fellow should seize on the lands I have in Pennsylvania.

7. *Sunday*. I took an ounce of salt, which did not produce much effect; perhaps the dose was too small. Slept pretty well, and perspired a little towards morning; found myself much better and the cold lessened.

Lord Amherst made a visit; I consented that the mate whom Colonel Ethington has nominated to my battalion should be appointed.

General Koninghame (Cunningham) told me that every one thought it extraordinary that Lord Carmarthen had invited the whole of the Opposition to dine with him on the birthday; he might have been heard to say that he was not consulted on the Treaty of Commerce. Captain Shaw and my nephew came to see me. The former told me that he had examined the accounts of Lieut. Prevost of the 7th Regiment. He said that all the debts might amount to £130 sterling; that they arose chiefly from his having been sent on recruiting service at the age of 15, and from having been robbed by his servant, who had taken all that he had.

I gave Captain Shaw, in presence of my nephew, a cheque for £100 sterling (on my banker) requesting him to employ the money in settling Prevost's affairs the best way he could; that I made him a present of the amount.

Brigadier McLean called and said that he had read in manuscript the history of Grand Army by Hall; that having seen that he had made several changes in the course of printing, he spoke to him of them and Hall said that Major McKenzie, General Howe's secretary, and very much his friend, had called and made him change several things, telling him that he must know affairs better than he. McLean believes he had made by it, because shortly after he obtained an office in Dublin, with a guinea a day. Small, with the officers of the second Battalion of Emigrants, subscribed for a certain number of copies and paid \$80, without being able to get one, the printer saying that he had sold them all, which leads to the suspicion that they have all been purchased by people interested.

8. *Monday*. Greatly troubled with a cough for part of the night, without much expectoration. My legs being swollen I went to bed very ill at ease. A perspiration which broke out towards morning quieted me, and I had some hours of a pretty quiet sleep, and on rising in the morning I found that the swelling around the ankle was entirely dissipated, which I attributed to the medicine I had taken the night before.

I left cards on Lord and Lady Amherst and called on Christie, whom I found in bed with gout. He communicated to me a correspondence he had had with Lord Amherst and Ross and Ogilvy respecting the clothing of the 3rd Battalion which was lost during the war. It has always seemed to me that Lord Amherst did not act well in this affair and that the agents did not act honestly about it. I advised him to offer His Lordship to name general officers to arbitrate, so as to avoid legal expenses, &c.

Return home at three, my chest still much loaded.

Major Gunn came to tell me the remedy which Lady Fawcett proposed for my cold. Bondé and Gunn dined with me.

9. *Tuesday*. Slept little; perspired and rested a little towards morning.

My nephew breakfasted with me and told me that his daughters were to learn Italian in hope of travelling in Italy. Lady Holderness sent to ask how I was. Captain Kennedy received letters from his son; he appears to be well satisfied.

Le Lt Prevost vint me remercier, & m'assura que je n'avois pas obligé un Ingrat &c., &c.

Mercredy, 10^e

Passé la nuit assés tranquillem^t un peu transpiré mais la Toux continue & m'empêchera d'aller à L'assemblée de Lady Amherst.

Mme Fairchild me fit lire deux Lettres qu'elle avoit reçu de sa nièce de Geneve, qui a fort envie de venir la voir, mais il me paroît qu'elle n'a pas envie de l'avoir avec elle, et je trouve qu'elle a raison Elle me montra une lettre de Louys Emma, mon ancien cuisinier qui s'est aujourd'hui chés M. Borell, beau frere de M. de Solgas. Cette Lettre m'a fait plaisir parcequ'elle thémoinne le bon cœur de cet homme la, & je suis persuadé qu'il me procureroit un bon cuisinier si j'en avois besoin.

J'ay payé pour des papiers de Leyden & p^r L'esprit des journaux pendant une année finie le 31 Xbre 16.

Budé & le b. Regensfelt ont diné chés moy. Le premier est allé au concert du Baron Alvensleben & de la chés Lady Amherst, ou j'ay envoyé une excuse.

Jedy le 11^e

J'ay passé une assés bonne nuit, sans cependant dormir qu'après deux heures, mais je n'ay presque pas toussé. Adair qui est venu déjeuner chés moy m'a conseillé de continuer les emultions.

Requ une carte d'invitation de Lady Holdernesse pour diner demain chés elle. Je me suis excusé.

Fait quelque tour du Parc en chaise. Ma cuisiniere m'a fait annoncer ce matin quelle ne quitteroit dans un mois. Je perdray une bonne cuisiniere mais aussy je serais débarassé d'un très mauvais sujet.

M. le Dr Adair m'a parlé d'un nommé *Postule* un traitteur à Spa, il tient le *Grand Monarque*, mais comme il n'y trouve pas son conte il seroit charmé d'entrer comme cuisinier dans une bonne maison.

Me trouvant mieux j'allay diné chés le Chev Yong, où je trouvay le chevalier & Lady Fosset, le G. Morisson, & Madame Louys & le G^l Koningham. Nous jouames deux robbers après diner que je perdis, revenu à 11½.

Vendredy 12^e

Passé une assés bonne nuit, mais j'ay beaucoup toussé sans expectorer. Mon neveu vint déjeuner avec moy. Il me dit que l'argent que je devois recevoir de Guinand été payé et que je recevrai ce qui m'en revins au printemps prochain. J'eus la visitte du Cap^t Vandeput qui me dit que nous yrons ensemble un jour à Depfort où je verrois toute sorte de Yachts et où nous pourions choisir celui qui conviendroit pour le Lac d'Yverdon. Le G^l Robertson vint me communiquer une Lettre qu'il avoit reçue du Cap^t Walter Rutherford qui fait voir qu'il y a beaucoup de confiance en Amérique. Il me conseilla de lui ecrire au sujet de ce que Philip Livingston me doit. Il se charge de lui faire tenir ma Lettre. C'est le meilleur party que je puisse prendre.

J'ay fait une promenade en voiture. Lt G^l Robertson, Adair, Barr, et le Lt Hunter on diné chés moy, ou Budé est venu après avoir diné chés Lady Holdernesse.

Samedy 13^e

J'ay été plus tranquille & j'ay mieux dormy que la nuit passé, aussi la tou est beaucoup diminué, fait un tour en voiture visitté le G^l & Mad. Carpenter, le Maj. Gunn & le G^l Koningham. A mon retour chés moy je me suis aperçu que Ernst avoit pleuré. J'en demanday la cause à Mad. Fairchild, qui me dit qu'elle l'avoit vu pleurer dans sa chambre mais qu'il ne lui avoit pas dit le sujet, seulement Il lui a dit qu'il étoit toujours malheureux un peu de patience en decouvrira la raison.

Le G^l Budé vint diner chés moy & me conseilla fortem^t de prendre une menagère Anglaise, pour avoir soin de mon ménage, d'avoir outre ça un premier domestique qui auroit soin de l'argentiri, & de soigner la table et de la Porte. Une fille de chambre pour tenir la maison propre, & une cuisiniere, ces quatres personnes devroient toujours rester dans ma maison à Londres quelle absence que je fis. Il me

Lieut. Prevost came to thank me and to assure me that I had not obliged an ungrate, &c., &c.

10. *Wednesday.* Passed rather an easy night, perspired a little, but the cough continues and will prevent me from going to Lady Amherst's assembly.

Mrs. Fairchild made me read two letters she had received from her niece in Geneva, who has a great wish to come to see her, but it seemed to me that she did not want to have her and I think she is right. She showed me a letter from Louisa Emma, my old cook, who is now with Mr. Birell, brother-in-law to Mr. Solgas. The letter pleased me, because it showed this man's good heart, and I am persuaded that he would get me a good cook if I needed one.

Paid for Leyden papers and for L'Esprit des journaux for the year ended 31st December, '86.

Budé and Baron Regenfelt dined with me. The former went to Baron Alvensleben's concert and then to Lady Amherst's, to whom I sent an excuse.

11. *Thursday.* Passed a fairly good night, although I did not sleep till after two o'clock, but scarcely coughed. Adair, who came to breakfast, advised me to continue the emulsions.

Received an invitation from Lady Holderness to dine with her to-morrow. Sent an excuse.

Had some turns in the Park in a chaise. My cook intimated this morning that she is leaving in a month. I shall lose a good cook, but shall at the same time get rid of a bad lot.

Dr. Adair spoke to me of a man named Postule, a restaurateur at Spa, he keeps the *Grand Monarque*, but as it does not pay, he would be delighted to enter a good house as cook.

Feeling better, I went to dinner at Sir George Yonge's, where I found Sir and Lady Fawcett, General Morrison, Mrs. Lewis and General Cunningham. We played two rubbers after dinner, which I lost; home at half past 11.

12. *Friday.* Passed a good enough night but coughed a good deal without expectorating. My nephew came to breakfast and said that the money I was to receive from Guinand was paid and that I would receive my share next spring. I had a visit from Captain Vandeput, who said we might go to Deptford together one of these days, where I would see all sorts of yachts and could choose one suitable for the Lake of Yverdon. General Robertson came to communicate a letter he had received from Captain Walter Rutherford, which shows he has great confidence in America. He advised me to write him about what Philip Livingston owes. He undertakes to get the letter to him. It is the best thing I can do.

Took a drive. Lieut. General Robertson, Adair, Barr and Lieut. Hunter dined with me. Budé came after, having dined at Lady Holderness's.

13. *Saturday.* Was easier and slept better than on the previous night, and the cough is greatly lessened. Took a turn in a carriage; visited General and Mrs. Carpenter, Major Gunn and General Cunningham. On my return found that Ernest had been crying. I asked Mrs. Fairchild the cause, who said she had seen him crying in his room, but he said nothing on the subject, except that he was always unhappy. A little patience will find out the reason.

General Budé dined with me and advised me strongly to take an English house-keeper, to take care of the housekeeping; to have in addition a chief servant who would take care of the silver plate, the table and the door, a chamber maid to keep the house tidy and a cook. These four persons would always remain in my house

fandrois outre ça un Laquais qui seut accomoder les chevaux & aller derriere la voiture avec un cocher et un groom. Ce qui feroit 7 Domestiques à entretenir toute l'année.

Dimanche le 14^e

Fait un tour en voiture, visité les Mrs Pollen qui n'étoient pas au Logis, et chés Ld Amherst. Mj. Gunn vint me voir et me dit que Lady Fosset étoit surprise que je lui eusse pas parlé du remède qu'elle m'avoit fait offrir. Il falloit sans doute que je fusse de mauvaise humeur. Fosset dit qu'il avoit remarqué que je n'étois pas bien. Je recus une invitation pour aller diner chés Ld. Sydney, ou je trouvay Madame Stevens, tres belle et aimable femme, et M. Brodrick. My Lord me dit pendant le diné qu'il avoit reçu une Lettre du Pere Robeau qui étoit un peu cronstillieuse et que je devois en avoir reçu la copie de même que le G^l Murray. Je lui dis que j'avois effectivement reçu une Lettre de Robeau et qui sur la fin il y avoit une lettre qu'il devoit Lui écrire, que je ne savois pas s'il la lui avoit envoyée. Il me dit que Robeau croyoit avoir à se plaindre de quelqu'un de l'office, mais qu'il ne savoit pas de quoi.

Je lui dis que Robeau étoit dans la dernière des Misères, et que j'avois été obligé de l'aider souvent p^r l'empêcher de mourir de faim, qu'il étoit surprenant que les Jecuites ne lui payassent pas ce qu'ils lui devoient. Que l'engagement dans lequel ils étoient entre de lavu du Gouverneur de la Province constituoit sa dette, et qu'on pouvoit les obliger de la payer avec les intereste, et même les Interests des Interests. Il l'avoua et s'endormit.

Lundy 15^e

J'ay ascés bien dormy, et ma Tou a diminué, Reçu quelque visittes le matin, fait une promenade en voiture, diné chés moy.

Le Mardy 16.

Fait des visittes et passé à l'office de my Lord Sydney p^r parler à Nepean qui me fit dire que si j'avois quelque chose de particulière Il viendroit me parler, mais qu'ayant plusieurs personnes dans son antichambre il me parleroit une autre fois, s'il n'y avoit rien de pressant. J'allay de là à 1½ heure à la Secreterie des Guerres, où je ne trouvay personne (Il étoit trop matin). Fait visitte à Sr George Yong que je ne trouvay pas, mais je fus reçu par Lady Yong, qui fut fort polie. Fait visitte au G^l Anerlay. Je vis Madame qui est fort aimable.

Le G^l Budé diné chés moy Il se vouloit pas que j'achetât le cheval du G^l Robertson p^r lui parceque j'étois trop genereux, etc., etc.

Mercredy 17.

Mon Rhume est presque passé, promené à pied, fait visitte au G^l Smith et le Baron Alvensleben, reçus plusieurs cartes et la visitte du G^l Armstrong reçu une Lettre du Chevallier Grau, qui me recomande 2 off: Francois, dont je me passerois fort. Diné au Logis, et été au concert du Baron ou il n'y avoit pas Beaucoup de monde. J'y rencontray Mad^{me} qui ne saurois me dispenser de lui faire visitte. Elle me dit que Lady More étoit incomodée depuis longtemps.

Jedy le 18^e

Le jour de naissance, je m'abillay chés Budé et fus à la cour à 2½, elle étoit extrêmement nombreuse. Je fis ma cour à la Reine qui fut fort gracieuse mais je ne vis pas le Roi.

Diré chés Ld Amherst avec Lord Salisbury, le G^l Arker, le G^l Gordon, Fosset, Tonny, Reed, Brocklay, le G^l d'Auvergne, le G^l Lassels, le G^l Townsend, Koningham, le Chev. Yong, Robertson et moy.

Je demanday une bouteille de vieux madère parce qu'on nous l'offroit de mauvaise grâce. Le G^l Robertson m'a ramené chés moy. Mon Domestique Francois a été insolent. Il faut le renvoyer.

Vendredy 19^e

J'ay dormy d'un sommeil interrompu, incommodé..... d'une chaleur sèche et fiévreuse jusques contre le Matin que j'ay un peu dormy. Mais je me suis levé fatigué & fort mal à mon aise sans cependant avoir aucun ressentiment de mon Rhume, promena le Matin et fait visittes aux deux Mes^{rs} François que je ne trouvay pas chés eux.

in London, whilst I was absent & returned in the evening and was obliged to attend to the business of the day & to the dinner & to the company of the ladies. That would make seven persons & I remember to have been

14. Sunday. www.libbook.com I received a letter from Amherst, Major Gory had been in the city and had been in the city, I received an invitation to dine at the house of the Countess of Rochford and she had received a letter from the Countess of Rochford which was dated the 10th and that I was to have a dinner at the house of the Countess of Rochford. I had really received a letter from the Countess of Rochford and she had sent me a copy of a letter she was to write to the Countess of Rochford. I had really received a letter from the Countess of Rochford and she had sent me a copy of a letter she was to write to the Countess of Rochford. I had really received a letter from the Countess of Rochford and she had sent me a copy of a letter she was to write to the Countess of Rochford.

I told him that the Countess of Rochford was in the city and that I was obliged to be. I told him that the Countess of Rochford was in the city and that I was obliged to be. I told him that the Countess of Rochford was in the city and that I was obliged to be. I told him that the Countess of Rochford was in the city and that I was obliged to be. I told him that the Countess of Rochford was in the city and that I was obliged to be.

15. Monday. Sent my party well and the Countess of Rochford. Received a new visit in the morning. Was a new visit in the morning.

16. Tuesday. Paid visits and called at Lord Bute's office to speak to Nepean, who said that I had nothing to do but to wait for the Countess of Rochford, but that having several business to do I was obliged to go to the office of the Secretary of War which I found to be a very busy office. I had a visit to Sir George Younge whom I had not seen for some time. Sir George Younge, who was very polite. Had a visit to General Robertson and he was very agreeable.

General Bode died with me. He did not want me to go to General Robertson's house for him, because I was not general in all.

17. Wednesday. My son is about four years & with the Countess of Rochford and Baron Alvensleben I received several letters and a visit from General Armstrong. Received a letter from Cleveland Court mentioning the French officers with whom I would be much pleased to dine at home and well in the evening and which was not well attended. I had a visit to General Robertson and she was very agreeable. I had a visit to General Robertson and she was very agreeable.

18. Thursday. The Birth-day. I dined at Bode's and was at Court at half past two; it was numerously attended. I paid my court to the Queen, who was very gracious, but I did not see the King.

Dined at Lord Amherst's with Lord Salisbury, General Arker, General Gordon, Pawcutt, Tomlyn, Reed, Brockley, General d'Arvergne, General Lasceux, General Townshend, Cunningham, Sir George Younge, Robertson and myself.

I asked for a bottle of old Madeira, because it was offered to us with a bad grace. General Robertson took me home with him. My servant, François, was absent. He must go.

19. Friday. Had broken sleep; uneasy from a dry and feverish heat, till morning, when I slept a little. I rose tired and out of sorts, but without any feeling of my cold. Took a walk in the morning and paid a visit to the two French gentlemen, whom I did not find at home.

Fait quelques visites. Le Col : Marsh, le G^l Badé, le Col : Balfour, le Cap. Todd, le Col : Musgrave et le G^l Ainslay ont dîné chés moy. J'ai trouvé le dîné de mon nouveaux cuisinier indifférent, mais je n'avois pas d'apety, les autres personnes l'ont trouvé passable.

Samedy 20^e

Dormy comme la nuit passé, sorty en voiture, fait visite à Badé, le G^l Carpenter, Lord Amherst, le Cap^t Cullen, & Madame & le G^l Christie, le Baron Alvensleben, le G^l F. Smith & le G^l Tryon. Revenu de bonheurs & dîné chés moy.

Dimanche le 21.

Dormy d'un sommeil interrompu Je devois dîné chés Messrs Pollen, mais j'écrivis un Billet à Budé pour qu'il m'excuse. Il vint me voir & me donna plusieurs conseils sur mes incommodités. Je fis venir le docteur Browne qui me conseilla le miel comme fort salutaire contre la gravelle.

J'eus la visite de L^d Amherst, le general Bough, Mons. Ross, l'agent W. Corré, le cap. Pointon dîné chés moy. Lu la soirée l'Exposition de St. Louis en Egypte.

Lundy 22^e

Je pris hier au soir du Thé de son avec du miel et du jus de Citron qui m'a occasionné une douce transpiration toute la nuit, cependant j'ay dormy d'une sommeil interrompue, mais sans peine, cependant j'ay eu des inquiétudes pendant une party de la nuit.

William Tuckfield est venu m'offrir une servante de cuisine pr 12 guinées par année. Je lui ay dit de l'engager pour entrer chés moy samedy prochain 27 court. Il s'est plaint de ce que Ernest babillait. Je luy ay fait une bonne leçon. J'ay appris dès lors par Tuckfield qu'il avoit été fort insolent à la cuisinier. Qu'il avoit dit devant tous les domestiques à la cuisinier que je l'avois mal traité en prenant un autre domestique puisqu'il m'avoit aussy bien servy que Maigro à qui je donnois 40 guinées par année. Je m'aperçois que le garçon sera insolent des que l'occasion s'en présentera ou qu'il aura quelqu'argent.

Chargé William de s'informer du caractère de Pattey. Je la prendray s'il me convient, mais j'auray toujours besoin du Laquais qui connoisse la ville.

Je pense que tous mes domestiques sont jaloux de Tuckfield, peut-être n'a-t-il pas tous les menagements qu'il conviendrait avec eux, et qu'il se laisse emporter par sa bonne volonté.

Le Mardy 23^e janvr

Le parlement assemble. J'ay eu la visite de Major Moloaster du Cap. Cullen à qui je communiquay l'idée ou le dessein que M. Rosse avoit de quitter l'agence &c. Budé a passé chés moy et m'a conseillé de prendre une housekeeper, qui aura soin de tout. Adair et Brown m'ont fait visite. Ma cuisinière ayant fait l'insolente je l'ay renvoyée après l'avoir payé. William Tuckfield a arrangé toute cette affaire qui m'aurait donné beaucoup de désagrément. Je descendis chés Madame Fairchild pour faire en sorte que tout se détermine sans bruit. Dîné chés moy avec Freeman.

Payé à la cuisinière 29. 10 7¹/₂ L. St., pour toute demande ayant conté ses gages à raison de 25 guinées par année.

Meroredy 24^e

J'ai assez bien dormy et mon Rhume est presque passé mais toujours une pesanteur..... Le Major Gunn, Watts et le Cap^t Kenedy m'ont fait visite. Fait visite au Major Green dîné et passé la soirée chés moy.

Jedy 25^e

Promené passé la soirée chés moy.

Vendredy 26^e

Resté chés moy à cause du froid. Reçu la visite du G^l Robertson, et du G^l Tryon, qui me dit qu'il avoit reçu un grand paquet de lettres de Finley qui cherchait à se justifier. Je le conseillay de ne point se mêler de cette affaire, et de répondre à Finley que le roy l'ayant finié il ne lui conviendrait pas de s'en mêler.

J'ay payé Arlet pour le Lavage de mes chevaux jusques au premier courant, et suis convenu avec luy que par la suite il ne me feroit plus payer pr mes chevaux.

Paid a few visits. Colonel Marsh, General Budé, Colonel Balfour, Captain Todd, Colonel Musgrove and General Annesley dined with me. I found my new cook's dinner indifferent, but I had no appetite. The others thought it passable.

www.libtool.com.cn

20. *Saturday*. Slept as on the previous night. Went out in a carriage; paid visits to Budé, General Carpenter, Lord Amherst, Captain Cullen, Mrs. and General Christie, Baron Alvensleben, General F. Smith, and General Tryon. Returned early and dined at home.

21. *Sunday*. Had broken sleep. I was to dine with the Messrs. Pollen, but wrote a note to make an apology. He came to see me and gave several counsels as to my complaints. I sent for Dr. Browne, who advised honey as good for gravel.

Had a visit from Lord Amherst. General Bough, Mr. Ross, the agent, Mr. Coore and Captain Pointon dined with me. In the evening read St. Louis' Expedition into Egypt.

22. *Monday*. Yesterday evening I took bran tea with honey and lemon juice, which caused a gentle perspiration all night, yet I had broken sleep, but painless. Had uneasy feelings for a part of the night.

William Tuckfield came to offer me a cook-maid for 12 guineas a year. I told him to engage her to come on Saturday, the 27th current. He was full of what Ernest was chattering about. I gave him a good lesson. I learned through Tuckfield that he had been very insolent to the cook: that I had ill used him by taking another servant, since he had served me as well as Maigro, to whom I gave forty guineas a year. I see that the lad will be insolent should the opportunity present itself, or that he finds himself with money.

Desired William to ascertain the character of Patty. I shall take her if it suits, but I shall always need a man servant who knows the town.

I think all the servants are jealous of Tuckfield. Perhaps he does not manage the best way with them, and that he lets his good will get the better of him.

23. *January. Tuesday*. Parliament is meeting. I have had the visit of Major Mulcaster, on behalf Captain Cullen, to whom I communicated the idea or design that Mr. Ross had of giving up the agency, &c. Budé called and advised me to get a housekeeper, who will take care of everything. Adair and Brown called. My cook having given insolence, I dismissed after paying her. William Tuckfield arranged the whole business, which would have given me much annoyance. I went down to Mrs. Fairchild to arrange that everything should be settled without noise. Dined at home with Freeman.

Paid the cook £29 10s. 7½d. sterling in full of all demands, calculating her wages at the rate of twenty-five guineas a year.

24. *Wednesday*. Slept pretty well and my cold almost gone, but still a weight on me. Major Gunn, Watts and Capt. Kennedy paid me a visit. Visited Major Green. Dined and spent the evening at home.

25. *Thursday*. Took a walk; spent the evening at home.

26. *Friday*. Remained at home on account of the cold weather. Received visits from General Robertson and General Tryon, who told me he had received a large parcel of letters from Finlay, who was seeking to justify himself. I advised him not to interfere in that business, and to answer Finlay, that the King having settled it, it would not be proper to interfere.

Paid Arlet for washing my horses to the 1st current, and agreed with him that in future he should not make me pay more for my carriage horses, than if I paid by

de carrosse que comme je payais par année, c'est-à-dire 10 guinées par mois et 14 shellings par semaine pour mes chevaux de selles, et il me promet de me fournir d'un bon cocher qui aurait soin des quatre chevaux, par là le groom pourra servir dans la maison.

Samedi 27^e

J'ay fait venir Tuckfield pour expliquer aux servantes ce que chacune a à faire dans la maison, et expliquer à la cuisinière qu'elle n'aura aucun droit sur les graisses de la cuisine. Elles ont été fort contentes toutes les deux. Le G^l Christie a passé chés moy pour me dire qu'il avait été chés Lord Amherst et lui avait dit qu'il se proposoit de faire dessider les différents qu'il a avec les agents par des officiers généraux my Lord a approuvé cette méthode, et il a écrit en conséquence aux agents. Diné chés le Baron Alvensleben avec mesdames Williamson & Ohre, et les d^lles Pichell, Paaly, Gentilly, le G^l Morrison, le C^l Williamson, le Cap. Williamson, M. Ohre, et Budé, perdu une guinée et demy au whist, revenu chés moy à 10 h.

Dimanche 28.

Mon Rume est presque passé. Messrs Watts, Robertson, Gunn ont diné chés moi. Fait quelques visites & passé la soirée chés moy.

Lundy 29.

Rien d'extraordinaire.

Mardy.

Mon nouveau cocher a pris soin de ma voiture & de mes chevaux. Je suis venu de lui accorder une demy couronne par semaine pour son habillement, lorsque je ne lui accorderai pas une livrée.

Diné à l'American club. Lord Amherst President. Il y avait 25 present Sir Richard Howe a été nommé président. Le diné a été bien servy, tous les vins ont été bon, & en general nous avons diné & passé la soirée fort agréablement revenu à 9 h.

Mercredi 31.

Fait une promenade à cheval. Passé chés Ramesdon qui me trompe toujours. J'ay reçu le téodolite & le Baromètre portatif que j'avois prêté au Major Williams, le dernier est en desordre & pert le Mercure. Je suis surpris que le Major ne m'aye pas écrit un seul mot en me renvoyant les Instruments. Passé chés le G^l Anislay & Madame avec qui je dois diner aujourd'hui, chés le jeune Ramsden. J'y ay trouvé M. & Mad. Anislay & un officier des Gardes. M^lles Sharp & une autre dame femme d'un officier des Gardes & le Genl Crag, sont venu passer la soirée. On a joué au whist & je me suis retiré à 10 $\frac{1}{2}$ heures.

Le Tailleur a apporté la livrée de mon Postillon & le Froock de Ernst.

Jedy, 1^{er} Février.

Été à la cité voir mon neveu M. Corre que je n'ay point trouvé, vû M. L. Tessier & Mr Duval, le premier m'a prié d'écrire au chev. Gran pour l'engager à laisser partir Madame Prevost. Il paroît qu'elle a écrit à Tessier, & qu'elle souhaite fort elle-même de venir & s'établir à Londres. Fait visite au Cap^t Twiss de qui je suis fort content. Payé plusieurs contes & rendu Homage à la ressemblance du Roy de Prusse mon ancien maître.

Le Baron Ragenfeld a diné chés moy, passé la soirée chés Madame Dromond où il y avait bonne compagnie, revenu chés moy, à 10 $\frac{1}{2}$.

Vendredy le 2^e.

Passé chés Budé qui ma fait observer la nécessité de faire visite à ceux qui arivent en ville, & si quelqu'un est malade de se faire informer comment ils se portent. Fait visite à M. & Mad. Carpenter, Lord Amherst que je trouvai au parck. Il me dit que my L^d Camden avoient été fort surpris de ce que Carleton avoit fait en Canada concernant les biens des Jésuittes, il a promis d'envoyer un Duplicat de l'ordre du Roy en conseil à cet égard. Fait visite au chev. Fosset, à St Hary Gough.

Samedi, 3.

Diné chés le Col. Goldsworthy avec Vanderput et Budé, tout étoit extrêmement propre, et bien servy. Ce qui me confirme dans la nécessité d'avoir une ménagère anglaise, et de reformer mon Domestique.

the year, that is, ten guineas a month, and fourteen shillings a week for my saddle horses, and he promised to supply me with a good coachman, who would attend to four horses, so that the groom could serve in the house.

27. *Saturday.* Sent for Tuckfiell to explain to the servants what each was to do in the house and to explain to the cook that she shall have no right to the kitchen stuff. Both women were well satisfied.

General Christie called to tell me that he had been at Lord Amherst's and told me that he proposed to have the dispute he has with the agents settled by general officers. His Lordship approved of this method and he wrote to the agents in consequence. Dined at Baron Alvensleben's, with Mrs. Williamson and Mrs. Ohre, and the Misses Pechell, Pauly, Gently, General Morrison, Sir Williamson, Captain Williamson, Mr. Ohre and Budé. Lost a guinea and a half at whist. Home at ten o'clock.

28. *Sunday.* My cold is almost gone. Messrs. Watts, Robertson, and Gunn dined with me. Paid a few visits and spent the evening at home.

29. *Monday.* Nothing extraordinary.

30. *Tuesday.* My new coachman has taken care of my carriage and horses. I agreed to allow him half a crown a week for clothing, when I shall not give him livery.

Dined at the American Club, Lord Amherst, president. There were 25 present. Sir Richard Howe was named president. The dinner was well served, all the wines were good, and in general we dined and spent the evening very agreeably. Home at nine o'clock.

31. *Wednesday.* Took a ride. Called on Ramsdon, who still deceives me. I received the theodolite and the portable barometer which I had lent to Major Williams. The latter is out of order and is losing the mercury. I am surprised that the Major has not written me a single word in returning the instruments. Called on General and Mrs. Anesley (Ainsley?) with whom I am to dine to-day at young Ramaden's. I found there Mr. and Mrs. Anesley and an officer of the guards; the Misses Sharp; another lady, wife of an officer in the guards and General Craig came to spend the evening. Played whist and I left at half past ten.

The tailor brought my postilion's livery and Ernst's frock.

February.

1. *Thursday.* Was at the city to see my nephew and Mr. Coore, whom I did not find. Saw Mr. L. Tessier and Mr. Duval. The former asked me to write to Chevalier Grau to get him to allow Mrs. Prevost to leave. It appears that she has written Tessier and wishes very much herself to come and settle in London. Paid a visit to Captain Twiss, with whom I am much pleased. Paid several accounts and rendered homage to the resemblance of the King of Prussia, my old master.

Baron Regenfeld dined with me. Spent the evening at Mrs. Drummond's, where there was a good company. Returned home at half past ten.

2. *Friday.* Called on Budé who pointed out the necessity of calling on those who arrived in town and if any one is ill to ascertain how he is. Paid a visit to Mr. and Mrs. Carpenter; Lord Amherst, whom I found in the Park, told me that Lord Camden had been much surprised at what Carleton had done in Canada respecting the Jesuits' Estates; he promised to send a duplicate of the King's order to Council on this subject. Called on Fawcett, and on Sir Harry Gough.

3. *Saturday.* Dined at Colonel Goldsworthy's with Vanderput and Budé. Every thing was extremely tidy and well served, which confirms me in the belief of the necessity of having an English house keeper and of making a change in my servants.

Passé la soirée chés Lady Amherst où j'ay joué trois Roberts. Il y avoit assez peu de compagnie.

Dimanche, 4^e

Mons. Corre vint me voir au sujet du procès de Charles Hay, qui paroît déterminer à poursuivre sa cause contre moy. M. Corre avoit consulté ce matin l'Atorney General M. Beecroft, et celui qui doit plaider ma cause. Je ne sais ce qu'ils ont conclu, mais j'apperçois que la cause trainera en longueur, en attendant, la consulte d'aujourd'huy m'a coûté 15 guinées.

J'ay remis quelques papiers à M. Corre concernant cet affaire qu'il doit me rendre après les avoir examinés. J'ay eu la visite de l'Amiral Barrington, du G^l Anslay, Gunn, le Cap^e Cullen, & le Cap. Alvensleben qui m'a dit que l'Electeur d'H Invalides, qu'on avoit fait un régleme^t p^r les Troupes tant p^r le temps de pay que p^r le temps de Guerre dont le roy etait très contant. M^{rs} le cap^e Yong, Twiss, Shank, Couture, & M. Owen, ont diné chés moy.

Lundy, 5^e février—87.

Promené le matin diné et passé la soirée à la maison.

Mardy 6^e

Je fus chés M. Corre pour lui parler au sujet de mes affaires. Il me dit qu'il falloit gagner du temps & qu'il eseroit ne pouvoir pas réussir. Passé chés mon neveux & vint diner chés moy, de la passé la soirée chés le G^l Ainslay, qui m'atendoit à diner ce que je n'avois pas compris.

Meicredy, 7^e

J'ay écrit au Major Mathews en lui envoyant la Lettre que Corre écrit à M. Alex^r Gray au sujet de Charles Hay. Je chargeay le Cap^e Freeman d'envoyer au Major la Lettre de M^{rs} Cuenot. J'ay eu la visite de l'evêque d'Oxford, du G^l Christie, Sr James Napier, Col. Goldsworthy, M. Duval, à qui j'ay prêté les Portraits du Roy & de la Reine p^r en prendre une copie. Tuckfield se plaint des causeries de mes Domestiques, surtout de Ernst, le premier est trop minutieux & l'autre est trop étourdy, & a peuthetre une mauvaise langue. Il est trop jeune pour estre mon premier domestique. Diné chés Pollon avec Budé, revenu chés moy fort enrhumé.

Du 14 Mars 86 donné à Megro p^r les dépenses de la maison.—

Un bill de £ 15.....	} £ 30.5.
un do de £ 10.....	
5 guinées 5-5.....	
<i>Le 29 Mars</i>	
un Bill de £ 50.....	} £ 60.10.
plus 10 guinées.....	
<i>Le 17 Avril</i>	
9 guinées.....	9.9.
<i>Le 24 Avril</i>	
deux billets de £ 20.....	} 50
un do de £ 10.....	
Solde comte avec Megro. La depeuse jusqu'au 24 Mars	
montoit suivant son compte à.....	£ 83.0.6

Le 8^e fevrier 1787.

J'ay avancé cinq guinées à mon Domestique Ernst à compte de ses gages, p^r l'année courante &c. Je lui ay augmenté ses gages pour l'année suivante, c'est-à-dire que je lui ay promis 18 guinées par année. Il m'a paru en esperer davantage, & je m'apperçois qu'il m'acquitera des qu'il trouvera de meilleures gages. Il faut que je tâche d'en trouver un autre.

Passé la matinée chés moy à arranger des papiers. J'ay eu la visite du Colonel Musgrave, resté à la maison avec un grand mal de dent qui m'a empêché de dîner. J'ecrivis hier au Major Mathews par N. Y. Lui promettant de lui écrire par Mr Dunn.

Spent the evening at Lady Amherst's, where I played three rubbers. There was but a small company.

4. *Sunday.* Mr. Coore came to see me respecting the suit of Charles Hay, who seems determined to push his case against me. Mr. Coore had this morning consulted the Attorney General, Mr. Beecroft, who is to plead my case. I don't know what conclusion they have come to, but the case, I see, will drag on; in the meantime to-day's consultation has cost me 15 guineas. I handed some papers concerning this business to Mr. Coore, which he is to return after having examined them. Had a visit from Admiral Barrington, from General Ainsley, Gunn, Captain Cullen and Captain ; paid a visit to Baron Alvensleben who told me that the Elector of H had paid 30,000 counting the invalids; that a settlement for the troops had been made, as well for the time of peace as for the time of war, with which the King was satisfied. Captain Young, Twiss, Shanks, Couture and Mr. Owen dined with me.

5. *Monday.* Took a walk in the morning; dined and spent the evening at home.

6. *Tuesday.* Went to Mr. Coore's to speak to him respecting my affairs. He said it was necessary to gain time, and that he hoped it would not succeed. Called at my nephew's and dined at home, thence to General Ainsley's, who was expecting me to dinner, which I had not understood.

7. *Wednesday.* Wrote to Major Mathews, sending him the letter written by Coore to Mr. Alexander Gray respecting Mr. Charles Hay. I desired Captain Freeman to send to the Major Cuenot's (?) letter. Have received visits from the Bishop of Oxford, General Clarke, Sir James Napier, Colonel Goldsworthy and Mr. Duval, to whom I lent the portraits of the King and Queen to have copies made. Tuckfield complained of the tattling of my servants, especially of Ernest. The one is too finical and the other too heedless, and has perhaps a bad tongue. He is too young to be my head servant. Dined at Pollen's with Budé. Returned home suffering from a cold.

From the 14th March, 1786. Gave to Megro for house expenses:—

A bill for.....	£ 15	
do	10	
5 guineas.....	5. 5	£ 30. 5

29th March:—

A bill for.....	50	
Plus 10 guineas.....	10. 10	60. 10
17th April.....	9. 9	
24th April two bills of £20, one of 10.....	50. 0	

Megro's pay bill. The expense to the 24th March came according to his account to £83. 0. 6.

8. *February, 1787.* I advanced five guineas to my servant Ernst on account of his wages for the current year, &c., I increased his wages for the following year, that is, I have promised him 18 guineas a year. He seemed to hope for more, and I believe he will leave me when he obtains better wages. I must try to find another.

Spent the morning at home arranging papers. Had a visit from Colonel Musgrave. Remained in the house with a bad toothache, which prevented me from dining. Wrote yesterday to Major Mathews by New York, promising to write him by Mr. Dunn.

Le Vendredy 9^e fev.

Mr Dunn passa chés moy pour me demander à voir la lettre de Ld George Germain de 1777 au sujet de Leevius, qui avoit été suspendu par le chev. Carleton. Il me dit que Mr Chambers solliciteur de la Trésorerie lui avoit écrit que cette lettre étoit très essentielle p^r la justification de M. Carleton. Il me dit de plus que Mr Livius étant né à Lisbonne, & son père étant un Allemand qui n'avoit jamais été employé [que] dans la Factorie Angloise de Portugal n'avoit aucun droit à remplir un employé de la Couronne, que cette seule raison rendoit invalide l'action qu'il avoit formé contre M. Carleton. Il me parla des prétentions que le chevalier Thomas Mills avoit voulu former contre Lui ; & je compris que le pauvre Mills est dans son tort. Dunn a obtenu la permission de repasser en Amérique & qu'il avoit appointé le Cap^e Twiss son agent pour passer ses contes ce qu'il croit qu'on ne fera pas avant six années.

Sir John Adair vint me parler au sujet du Docteur Blacke de Mont Real. Davison vint ensuite qui me dit qu'il avoit rencontré Dunn hier qui lui avoit parlé p^r la première fois sur l'affaire des Postes du Nord, & lui avoit proposé de nommer des articles, pour fixer de quelle façon ceux qui avoient les postes aujourd'hui pourroient se charger des Dettes, que les anciens Propriétaires avoient contracté avec les Indiens quoy qu'on n'en eu point demandé.

J'eus la visite du Col. Johnson des gardes & celle de Bally Boyest [Billy Bayard ?] au sujet des contes de Hutchesson avec le Tresorier. Je lui dis que je les avais comparé dans les miens & que tous les vouchers étoient logés et que j'avois payé la Balance. Il conviendra cependant que j'en parle à Mess^{rs} les Commissaires. Diné chés Lady Holderness avec Budé & un M. Grau que se trouve être le fils de Ferdinand Grau, mon ami, c'est un joly garçon, mais qui paroît un peu Je ne voulus pas me faire connaître. Lady Holderness fut fort bien, je me retiray à 8½ heures, & passay la soirée chés moy.

Samedy le 10^e

J'ay écrit un billet aux agents Mess^{rs} Ross & Ogilvie, Les chargeant de porter 50 L. St. sur mon conte particulier pour payer les Instruments de Musique que le Colonel Etherington a ordonné pour mon Batt: La somme totale se montent à passé 83 L. St. Il chargera le reste p^r le conte des compagnies.

J'ay écrit au chev. George Yong pour lui recommander le docteur Blake de Mont-Real pour la demy paye: fait visite à Madame Dunn que j'ai trouvée fort satisfaitte de la Tourrée qu'elle a faite dans les villes des Manufactures. Elle m'a avoué qu'elle quitteroit ce pays à regret, & qu'elle ne pourroit jamais plus trouver d'agrément en Canada. Fait visite à Mr Adair, chirurgien general en Stafort Street. Il est parfaitement logé, & a une collection d'excellents tableaux. Je n'en ay pas trouvé un seul de mediocre. Il me fit voir un petit tableau au Mosaïque que le Pape lui a fait présent & qu'il évalué à 6,000 guinées. C'est certainement la plus belle chose que j'ay vu dans le genre. Il me dit qu'il avoit presenté d'une quantité de preservations anatomiques au Pape, suffisantes pour remplir deux grandes chambres, que le Pape avoit fait arrangé au mieux, & qu'il y avoit fait passé le buste de Mr Adair &c. Diné chés le gen^l Smith, avec le G^l Christie, le G^l Robinson & l'Amiral Dadel, Mr le Cap^t Smith, secretaire du General Clinton, un cap^t venant de Gibraltar, & M. Walls [Watts?].

Je suis revenu chés moy 9½ après avoir recondu l'amiral Dedalle chés Lui, Pall Mall, n^o 66.

Dimanche le 11^e f.

Fait visite au chevalier Clinton & au G^l Gage que je ne vis pas. Passé chés le G^l Robertson ou je trouva M. Isaac Low de Québec qui se plain d'avoir été mal traité par les commissaires. Il m'a parlé de Lord Roden & du peu d'attention que M. Pitt lui a thémoinné ce qui est une des causes qui lui jetteroit dans l'opposition. Il me dit que dans ce pays les services passés étoient toujours oubliés, & qu'il étoit bon de profiter des circonstances.

Passé chés le Baron d'Avensleben avec lequel j'ay eu une conversation d'une heure & demy sur les affaires du temps. Il désaprouva toujours la conduite de ceux

9. *Friday.* Mr. Dunn called to ask me to show him the letter from Lord George Germaine of 1777, respecting Livius who had been suspended by Sir Guy Carleton. He said that Mr. Chambers, Solicitor of the Treasury, had written him that this letter was very essential for Carleton's justification. He said further, that Mr. Livius being born in Lisbon, and his father a German who had never been employed [except ?] in the English Factory of Portugal, had no right to fill an office under the Crown, and that this reason alone rendered the action he had taken against Carleton invalid. He spoke to me of the claims Sir Thomas Mills wished to set up against him and I understood that poor Mills was in the wrong. Dunn has obtained leave to return to America and has appointed Captain Twiss his agent to pass his accounts, which he believes will not be done for six years.

Sir John Adair came to speak to me on the subject of Dr. Blake, of Montreal. Davison then came, who told me that he had met Dunn yesterday, who spoke to him for the first time on the affairs of the Northern Posts, and proposed to draw up articles to settle how those who had the posts now could assume the debts which the old proprietors had contracted with the Indians, although this had not been asked.

Had a visit from Colonel Johnson of the Guards and from Bally Boyest [Billy Bayard] respecting Hutchison's account with the Treasury. I told him that I had compared them with mine, that all the vouchers were lodged and that I have paid the balance. It would be better, however, that I should speak about them to the Commissioners. Dined at Lady Holderness's with Budé and a Mr. Grau, whom I found to be the son of my friend, Ferdinand Grau. He is a nice looking young man but appears to be a little I did not wish to make myself known to him. Lady Holderness was very pleasant. I left at half past eight and spent the evening at home.

10. *Saturday.* Wrote a note to the agents, Messrs. Ross and Ogilvie, desiring them to debit my private account with £50 to pay for the musical instruments which Colonel Etherington has ordered for my battalion. The sum total exceeds £83 sterling. He will charge the rest to the account of the companies.

Wrote to Sir George Yonge, recommending Dr. Blake, of Montreal, for half pay, called on Mrs. Dunn, whom I found much pleased with the trip she made to the manufacturing towns. She owned she would leave this country with regret, and that she could never more find pleasure in Canada. Paid a visit to Mr. Adair, Surgeon General, in Stafford Street. He is perfectly lodged, and has a collection of excellent pictures. I did not find a single poor one among them. He showed me a small picture in mosaic, which the Pope had presented to him and which he valued at 6,000 guineas. It is certainly the finest *genre* picture I have seen. He told me that he had presented to the Pope a quantity of anatomical preparations, enough to fill two large rooms, which the Pope had arranged to the best advantage and had placed there Mr. Adair's bust, &c. Dined at General Smith's, with General Christie, General Robertson, Admiral Dadel (Darby?), Captain Smith, General Clinton's secretary, a Captain returning from Gibraltar and Mr. Walls. [Watts?]

Returned home at half past nine, after walking with Admiral Dedalle to his house, 66 Pall Mall.

11. *Sunday.* Visited Sir Henry Clinton, and General Gage, whom I did not see. Called on General Robertson, where I found Mr. Isaac Low, of Quebec, who complained of being ill treated by the commissioners. He spoke to me of Lord Roden and of the little attention paid to him by Mr. Pitt, which was one of the causes which threw him into opposition. He said that in this country past services were always forgotten, and that it was well to profit by circumstances.

Called on the Baron d'Alvensleben, with whom I had an hour and a half's conversation on the affairs of the time. He still disapproves of the conduct of those who made the last peace; the King opposed it as much as he could, but was at last obliged

qui ont fait la dernière paix, le Roi s'y est opposé autant qu'il a pu, mais à la fin il a été obligé de céder. A mon retour chés moy j'ay appris que le Colonel DeLaroy, & le Lt Porbec y avoient passé, & my Lord Southampton y avoit envoyé un domestique. J'allay chés luy il me dit que tout estoit arrangé avec M. Porbec, qui entra un moment après en rapportant un billet de £20 que le Banquier Dromond n'avoit pas voulu accepter, disant qu'il falloit qu'il fut sur du stamped paper. Je vis un certain embarras & deux ou trois messages à Lady Southampton qui descendit enfin en négligé et écrivit un billet qui fut remis au Lt Porbec. Je sortis la dessus il me suivit peu après & me fit voir les instructions qu'il avoit reçu de my Lord par lesquelles il lui délégoit tout son pouvoir celui même de le faire mettre en prison au cas qu'il ne se conduisit pas comme un gentilhomme. Il lui a donné £20 st. ou guinées pour le voyage, & il lui a donné une lettre de crédit sur Frankfort pour recevoir £20 st. tous les trois mois à commencer le 25 juin & celui qui payera cette somme en retiendra tous les frais du change. My Lord me dit qu'il ne regrettera pas cet argent pourveu que son fils peut se corriger. Je ne pus pas m'empêcher de lui dire que s'il consideroit que le Lt Porbec devoit retirer sa paye de la & vivre avec son fils la somme n'était pas trop grande.

My Lady doit avoir été une très belle femme, elle a de très beaux restes, & elle paroît estre entierement la maitresse.

Porbec me dit qu'il avoit vu une [scène] desagréable entre le jeune homme & son frère qui lui avoit donné des coups de batons qui l'avoient fait pleurer comme un enfant.

Budé & Porbec ont diné chés moy. J'ay passé la soirée chés Madame Corre ou il y avoit beaucoup de monde. J'y vis le Col. Corre, Sergent Gross, & Mr. Ervin de Boston. revenu a 11½ heures après estre convenu avec M. Corre qu'il rencontreroit le G^l Christie chés moy demain à 1 heure.

Lundy le 12e.

Fait visitte à l'evêque d'Oxford, Lord Amherst, Col. Goldsworthy, M. Dudany, Col. Ballfour. Je ne les trouvay pas.

Le G^l Robinson, Smith, Budé, L'Admiral Dedall & le Mess. Gun dinèrent chés moy, & se retirèrent à 9 heures, passé la soirée chés moy.

Mardy 13e.

Promené à cheval dans le Park, diné au club où nous étions 16 personnes. Je fus choisy présidant pr le club prochain, revenu chés moy à 10½.

Mercredy 14e.

J'eus la visitte de M. de Troytorre de Cudesford. Il me dit qu'il avoit été demandé par le Duc de Marlborough pour voyager avec son fils qui a 21 années. Il estoit chargé de me faire des compliments des Bains. Il me fit entrevoir que les deux frères ne vivent pas bien ensemble, l'ainé vieillit, et paroît reveur et melancholique. Il faut que je parle pour les racommoder. M. Christin vint aussi déjeuner avec moy. Il paroît un fort joli garçon.

Promené à cheval avec le Gen^l Smith, le Colonel Musgrave. J'étois invité à diner chez Lady Holderness le samedi, j'ai reçu une carte d'excuse. Diné chez M. Corre ou il y avoit plusieurs personnes que je ne conoissois pas, perdu deux robbers et revenu chés moy à 10½.

Jedy 15e.

J'eus la visitte de M. Billy Bayard, au sujet des contes de Major Hutchisson. Passé chez le Capt Twiss que je ne trouvay pas. Passé chez Lord Amherst qui m'a fort conseillé de faire un tour à Bath pr me débarasser de mon rhume. Eté ensuite chés Budé qui me conseilla de me faire présenter au club par le chev^r R. Pigot et par le Colonel Musgrove. Diné chés le General Carpenter avec Sir Harry Goss, sa femme M. Rameden et Madame Budé & M^d Sharp. joué deux robbers que j'ay perdu revenu chés moy à 10 heures.

Vendredy 16e

En allant chés W. Winglesworth je rencontray M. Moliisson qui alloit à l'office du controlleur. Il my conduisit et étant au pied de l'escalier il chargea un des parties de me conduire à l'office de où après lui avoir montré la lettre de M. Bayard, et

to yield. On my return home, I learned that Colonel DeLancy and Lieut. Porbec had called and Lord Southampton had sent a servant. I went to him and he told me that every thing was settled with Mr. Porbec, who entered a moment after, bringing a note for £20, which Drummond the banker would not accept, saying it must be on stamped paper. I saw a certain embarrassment and two or three messages to Lady Southampton, who came down at last in deshabille and wrote a note which was handed to Lieut. Porbec. I left thereupon and he followed shortly after and showed me the instructions he had received from His Lordship, by which he delegated to him all his power, even to putting him [the son] in prison, should he not conduct himself like a gentleman. He has given him £20 sterling or guineas for the journey, and a letter of credit on Frankfort to receive £20 quarterly, to begin on the 25th June, the person paying that amount to deduct the cost of exchange. His Lordship told me that he will not regret the money, provided his son can be reformed. I could not help telling him that if he considered that Lieut. Porbec was to draw his pay from that, and to live with his son, the amount was not too much.

Her Ladyship must have been a very fine woman, she has still the remains and she seems to be entirely the mistress.

Porbec told me he had witnessed a disagreeable scene between the young man and his brother, who had given him a caning which made him cry like a child.

Budé and Porbec dined with me. I spent the evening at Mrs. Coore's, where there was a large number of people. Saw there Colonel Coore, Sergeant Gross and Mr. Ervin, of Boston. Went home at half past eleven, after arranging with Mr. Coore to meet General Christie at my house to-morrow at one o'clock.

12. *Monday.* Visited the Bishop of Oxford, Lord Amherst, Colonel Goldsworthy, Mr. Dalancy, (DeLancy?), Colonel Balfour; did not find them in.

General Robinson, Smith, Budé, Admiral Dedall and the Messrs. Gunn dined with me. They left at nine o'clock. Spent the evening at home.

13. *Tuesday.* Rode in the Park; dined at the club, we were 16. I was chosen president for the next meeting. Home at half past ten.

14. *Wednesday.* Had a visit from Mr. Traytorrens, of Cudesford. He said he had been asked by the Duke of Marlborough to travel with his son, who is twenty-one. He was to convey compliments to me from the Baths. I could draw from his conversations that the two brothers do not live in harmony together. The eldest is getting old, dreamy and melancholy. I must try to bring about a reconciliation. Mr. Christie also came to breakfast. He seems a fine young man.

Rode with General Smith and Colonel Musgrove. I was invited by Lady Holderness to dine on Saturday, but received a note of apology. Dined at Mr. Coore's, where were several persons whom I did not know; lost two rubbers, and returned home at half-past ten.

15. *Thursday.* Had a visit from Mr. Billy Bayard respecting Major Hutchison's accounts. Called on Captain Twiss, whom I did not find. Called at Lord Amherst's, who strongly advised me to take a trip to Bath to get rid of my cold. Then went to Budé's, who advised me to have my name put up at the club by Sir R. Pigot and Colonel Musgrove. Dined at General Carpenter's with Sir Harry Goos, his wife, Mr. and Mrs. Ramsden, Budé and Mr. Sharp. Played two rubbers, which I lost. Home at 10.

16. *Friday.* In going to Mr. Wigglesworth, I met Mr. Molisson, who was going to the comptroller's office. He took me there, and at the foot of the stair he ordered one of the porters to take me to office, where, after having shown the letter

mes contes, il fit appeller M. Winglesworth, qui me dit qu'il avoit examiné une partie de mes vouchers qu'il trouvoit un article de 1000 dollars sur lequel je recevrai une lettre de son office afin de produire les Vouchers pr cette somme. Il me dit ensuite qu'il ne trouvoit aucun conte par lequel j'eusse fini toute chose avec Hutchisson, et je crains que par là je ne devienne responsable de tout, et qu'on objecte aux Vouchers, que Hutchisson m'a fourny. Il me dit de plus qu'on trouvoit que le major Hutchisson avoit reçu plusieurs sommes, même du chevalier Carleton, qu'il étoit occupé à arranger le conte, et que je le verrois dans peu.

Promené au parc avec L^d Amherst, fait visite au cap^e Twiss que je ne trouvay pas. Visité Bayard que je ne trouvay pas. Passé chez les Chev^r Napier et Rigaud. Budé, le Coll. Balfour, Gunn, avec le Baron Regenfeld ont diné chés moy, le G^l Ainsly, Chev. Hary Goff, et le Col. Goldsworthy m'ont fait visite.

Samedy 17^e

Promené à cheval jusqu'à Amstead diné chés le G^l Robinson avec Budé, G^l Smith Bockley, le Col: Burton et M. Oldford. M. Leighton cydevant clerk du feu Maj. Yong vint hier chez moy, pr m'offrir ses services et me demander quelques secours je lui donnay deux guinées, et en parlay au G^l Robertson qui l'employera, on dit qu'il est fort habile pour arranger des contes.

Dimanche 18^e

Promené au Parck à cheval revenu à 4 heures et passé la journée chés moy. Mon neveux vint me voir après soupé et me dit qu'il partirait pour L'Italie dans la première semaine de mars. Je lui dis le dessein que j'avois d'acheter la Baronie de Vaumarchies si elle étoit à vendre et dans quelle intention. Il parut que ca lui faisoit plaisir.

Lundy 19^e

Promené à cheval au Parck pendant trois heures. Je rencontray le Roi et la Reine en y allant et je fis connoissance avec le chevalier Thomas Wroughton, envoyé en Suede qui me parait un fort aimable homme. Badé et Gunn ont diné chés moy. Je suis allé ensuite avec Budé au concert du Baron et de la à l'assemblée de Lady Amherst qui étoit fort nombreuse. Joué un Robert avec Mad. Robertson le comte Pollon et le G^l. St. Jean, gagné 1½ guinée à Mad. Robertson. Revenu à 11 heures.

Mardy : 0^e

fait visite à Mad^e Ramsden, Ainsly, Sr Robert Pigot. J'allay diner chés mon neveux, ou je trouvay Mr Christie & M^d Sanders, mes nièces se préparent pour leur voyage d'Italie. Je les trouvay surtout Sallay trop remplis de préjugés mais elles ont un asendant sur l'esprit de leur père qu'il seroit inutile de combattre, revenu chés moy à 9 heures.

Mercredy 21.

Je fus au Levé qui fut assés nombreux—fait ensuite visite à L^d Amherst que je ne trouvay pas & à M. de Traytorrens qui a la goutte. J'y rencontray M. qui est de retour icy depuis trois mois. Il me parla des dix mille hommes qu'on doit reformer en Prusse. Budé, Marsh & J. Adair ont diné chés moy & se sont retiré à 9 heures pr aller au Clob.

Jeudy 22^e

J'eus la visite du Cap^e Twiss & du Cap^e Shanks. Je parlay à Twiss de la difficulté qui se trouvoit au sujet des contes du Cap^e Hutchins. Il me promit de venir une soirée chés moy pr les examiner.

Je fus à la Cour où il y avoit beaucoup de monde. Je remarquay qu'après que la Reine m'eut parlé elle me regardoit plusieurs fois avec beaucoup d'attention & avec un air de complaisance croyant que j'avois été malade.

Mr Smelt vint m'aborder & me dit que le Roi eseroit que je ne resteroit pas aussi longtemps absent de l'Angleterre que je l'avois été de la Suisse, & que j'établirais mon domicile icy. Nous parlames de Salzas & de sa Louppe, je lui dit que s'il ne trouvoit personne à Paris à qui il peut se confier pr faire que l'amenerais icy nous convîmes que Cabanis étoit trop vieux pr faire l'opération. Je lui dis de quelle façon il s'étoit conduit à l'égard de la Louppe du chevalier Traytorrens; & il se trouve que Cabanis renvoye Salzas d'un jour ou d'une année à l'autre pr faire l'opération.

from Mr. Bayard and my accounts, he sent for Mr. Wigglesworth, who told me that he had examined part of my vouchers, that he found an item of \$1,000, respecting which I should receive a letter from his office, so as to have the vouchers produced for that amount. He then said he found no account by which I had settled everything with Hutchison, and I fear that I may become responsible for the whole, and that the vouchers furnished to me by Hutchison are objected to. He told me further, that it was found that Major Hutchison had received several amounts, even from Sir Guy Carleton, that he was busy arranging the account, and that I would see it shortly.

Walked in the park with Lord Amherst. Paid a visit to Twiss, who was not in. Visited Bayard, whom I did not find. Called on Sir James Napier and Rigaud. Budé, Colonel Balfour, Gunn, with the Baron Regenfeld, dined with me. General Ainsley, Sir Harry Goff and Colonel Goldsworthy called.

17. *Saturday.* Rode to Hampstead. Dined at General Robertson's with Budé, General Smith, Bockley [Berkley?], Colonel Burton and Mr. Oldford. Mr. Leighton, formerly clerk to the late Major Yonge, came yesterday to offer his services and ask some assistance. I gave him two guineas, and spoke of him to General Robertson, who will employ him. It is said that he is very expert in arranging accounts.

18. *Sunday.* Rode in the park. Returned at four, and spent the day at home. My nephew came in the evening, and told he was leaving for Italy in the first week of March. I told him of my design to purchase the barony of Vaumarchies, if it was for sale, and why. It seemed to please him.

19. *Monday.* Rode in the park for three hours. I met the King and Queen when going there, and made the acquaintance of Sir Thomas Wroughton, Envoy to Sweden, who seemed a very sensible man. Budé and Guan dined with me. I then went with Budé to the Baron's concert, and from there to Lady Amherst's assembly, which was very numerously attended. Played a rubber with Mrs. Robertson, Count Pollen and General St. Jean. Won a guinea and a half to Mrs. Robertson. Home at eleven.

20. *Tuesday.* Visited Mrs. Ramsden, Ainsley, Sir Robert Pigot. Went to dine with my nephew, where I found Mr. Christie and Mrs. Sanders. My nieces are preparing for their journey to Italy. I found them, especially Sally, too full of prejudices, but they have an ascendancy over the mind of their father which it would be useless to oppose. Home at nine.

21. *Wednesday.* Was at the levée, which was pretty full. Then visited Lord Amherst, whom I did not find in, and to Mr. Traytorrens, who has the gout. I there met M. _____ who has been back for three months. He spoke of the ten thousand men who are to be disbanded in Prussia. Budé, Marsh and Adair dined with me and went off at nine to the Club.

22. *Thursday.* Had a visit from Captain Twiss and Captain Schanks. Spoke to Twiss of the difficulties about Captain Hutchins [Major Hutchison's] accounts. He promised to spend an evening with me to examine them.

Was at the Court, which was crowded. I remarked that after the Queen had spoken to me, she looked at me several times very attentively and with a kindly air, believing that I had been ill.

Mr. Smelt came to accost me, and told me that the King hoped that I would not be as long absent from England as I had been from Switzerland, and that I should establish my domicile here. We spoke of Salzas and of his tumour. I told him that if he could find no one in Paris to be trusted with the case to bring him here. We agreed that Cabanis was too old to perform the operation. I told him how he had behaved in regard to Traytorrens' tumour; and it may happen that Cabanis will put Salzas off for one day or year to another for performing the operation.

Vendredi 23.

Diné chés le G^l Robertson avec les trois lady Finches, Madame Dromont [Drummond,] sa fille et ses deux fils. Fait deux parties de whist le soir et revenu à 11 heures.

www.libtool.com.cn Samedi 24^e

Je fis une longue promenade à cheval diné chés moy avec le major Gunn.

Dimanche 25^e

Je fus à Hamstead avec mon neveu & revenu avec M. Corre qui me promit de me procurer la copie de la lettre que Ross et Gray avaient écrite à M. Harley au sujet de l'assurance de l'Habillement du 3 & 4 Batt:—Diné chez moy, ou j'ay passé la soirée.

Lundy 26^e

Promené à cheval. Diné chés Lady Holderness avec Budé & Vandeput, été au concert du Baron & passa le reste de la soirée chés Madame Robertson ou il y avait beaucoup de monde. Gagré 2 guinées.

Mardy, 27^e

Eté à la cité en voiture, promené à cheval & été au Clob, où j'étois Président. La compagnie étoit fort nombreuse & tout le monde est resté fort tard. J'ay nommé Lord Shouldham pr Président j'ay conduit le comodore Affleck chez lui Wimpole St. N^o 23.

Mercredi 27. & Jedy 28^e *

J'ai reçu & fait quelques visittes. Mon Neveu vint déjeuner chez moy & me dit qu'il avoit fixé son départ pr Lundy prochain, Gunn a diné chés moy.

Vendredi, 1^{er} Mars.

J'ay été à la cour qui étoit assés nombreuse, diné & passé la soirée chés moy. Twiss & Budé dine avec moy.

Samedi, 2^e

Je fus avec le Capitaine Twiss & Freeman chés Mr Winglesworth qui nous donne rendez-vous jusques à Mardy prochain à 12 heures pour lui produire les vouchers concernant le Major Hutcheson qui a été mon secrétaire pendant les années 73 & 74 que je comandois en chef.

Dimanche 3.

Le G^l Pigot, le G. Smith, Christie, Budé & le docteur Brown ont diné chés moy & sont restés jusques apres dix heures apres quoy je suis allé chés mon neveu pour lui souhaiter un bon voyage. Les filles étoient déjà couchées & je ne les vis pas, revenu à 11 heures chés moy.

Lundy le 5^e Mars.

Fait visitte à Lord Sydney, que je ne trouvoy pas. Je fus à l'office où je trouvoy M. Townshend qui est revenu depuis peu de ses voyages & me dit qu'il contoit d'aller en Suïs-e & de la parcourir à cheval au mois de Juillet prochain. Je remis à M. Nepean la requette d'Alco [Halero ?] dont il me promit qu'il aura soin io même jour, dinné & passé la soirée chez moy.

Mardy le 6^e Mars.

Je fus avec le Capitaine Twiss & le Capitaine Freeman & remis à M. Wigglesworth les vouchers pour la somme de £9,655.13.11½ Sterling que j'avois tiré en 73 & 74 en faveur du Major Hutcheson pour satisfaire aux dépenses publiques. M. Wigglesworth m'en a donné un receu dont j'ay envoyé copie avec une lettre à M. Wil. Bayard pour le tranquilliser. Passé chés Ld Amherst qui me parla au sujet de L^t Porbeck de notre Regim^t qui veut aller à la demi-payé. Budé dinné ches moy.

Mercredi 7

J'ay fait une longue promenade à cheval ou j'ay rencontré le Gen. P. Pateman [Patterson ?]. Dined at home; G^l Koningham [Cunningham], Ainsley, & Budé, le Col. Marsh & Williamson. Ils sont resté jusque après 9 heures.

* Il y a des erreurs concernant les jours de la semaine et les jours du mois; ces erreurs se continuent dans les entrées du mois de mars. Nous les laissons ici telles qu'el les sont dans l'original.

23. *Friday*. Dined at General Robertson's with the three ladies Finch, Mrs. Drummond, her daughter and her two sons. Had two games of whist during the evening and home at 11 o'clock.

24. *Saturday*. Took a long ride. Dined at home with Major Gunn.

25. *Sunday*. Went to Hampstead with my nephew and returned with Mr. Coore, who promised to get me a copy of the letter which Ross and Gray had written to Mr. Harley respecting the insurance on the clothing for the 3rd and 4th Battalions. Dined at home where I spent the evening.

26. *Monday*. Rode out. Dined at Lady Holderness's with Budé and Vandeput; was at the Baron's concert, and passed the rest of the evening at Mrs. Robertson's, where there was a crowd. Won two guineas.

27. *Tuesday*. Drove to the City; rode and went to the Club, where I was President. The company was very numerous and every one remained late. I named Lord Shuldham for President. Took Commodore Affleck home, 23 Wimpole Street.

27. *Wednesday*. 28. *Thursday* *. Received and paid a few visits. My nephew came to breakfast. He said he had fixed to leave on Monday next. Gunn dined with me.

March.

1. *Friday*. Was at Court which was pretty full. Dined and spent the evening at home. Twiss and Budé dined with me.

2. *Saturday*. Went with Captain Twiss and Freeman to Mr. Wigglesworth's, who made an appointment for Monday next at 12, to bring him the vouchers respecting Major Hutchison, who was my secretary during the years '73 and '74 when I commanded in chief.

3. *Sunday*. General Pigot, General Smith, Christie, Budé and Dr. Brown dined with me and remained till after ten o'clock, after which I went to my nephew's to wish him a good journey. The girls were already in bed and I did not see them. Home at eleven.

5. *Monday*. Paid a visit to Lord Sydney, who was not in. Went to the office, where I found Mr. Townshend, who had returned from his travels shortly before and said that he thought of going to Switzerland and of travelling through it on horseback next July. I handed Mr. Nepean Alco's [Haloro's?] petition, which he promised to take up the same day. Dined and spent the evening at home.

6. *Tuesday*. Went with Captain Twiss and Captain Freeman and handed Mr. Wigglesworth the vouchers for the sum of £9,655 13 11½ sterling, which I had drawn in '73 and '74 in favour of Captain Hutchison, to meet the public expenses. Mr. Wigglesworth gave me a receipt, of which I sent a copy with a letter to Mr. Wil-Bayard, to ease his mind. Called on Lord Amherst, who spoke to me about Lieut. Porbec of our regiment, who wishes to go on half pay. Budé dined with me.

7. *Wednesday*. Took a long ride and met General P. Pateman [Patterson?]. Dined at home; Generals Cunningham, Ainsley and Budé, Colonels Marsh and Williamson present. They stayed till after nine.

* There are errors in the days of the week attached to the days of the month, continued through March but the errors are retained as in the original.

Jedy 8

J'ay été à la cour & vu présenter l'adresse de la Chambre des Pairs au Roy. L'Ambassadeur de France me dit que sa cour étoit intéressé à [La phrase n'est pas terminée.] www.libtool.com.cn

Lundy 12e

Promené à cheval fait quelques visites & passé la soirée chés moy.

Mardy 13

Fait une promenade à cheval avec le Genl Roy & et le Cap^e Bisset, le premier me dit que M. Archell [Herschel ?] avoit découvert deux satellites à la nouvelle Planette que lui faisoit la revollution [l'une] en l'espace de huit jours, et l'autre environ dans 13 jours, qu'aucun astronome en France n'y ailleurs n'avaient pu les voir, & que surtout les François étoient fort piqués que nos instruments surpassent si fort les leurs.

Le Genl William Fossett vint me dire qu'on se proposoit (si je n'avois point d'objection) d'avoir mon B^{tt} en Canada, mais que comme Hope y commandoit comme Brigadier qu'on seroit obligé de faire venir Etherington en Angleterre puisqu'il étoit plus ancien que Lui.

Dinné au club où Lord Shouldham presida. Il y avoit environ 20 personnes & tout se passa fort bien. J'allay de là avec Lord Shouldham chez Mad. Trapaud où il y avoit beaucoup de monde, et où il faisoit une chaleur extraordinaire dont je fus fort incommodé.

Le G^l Christie me surprit en me disant que le G^l Smith avoit refusé d'être son arbitre pour le différend qu'il a avec l'agent au sujet de l'habillement perdu.

Mercredy le 14.

Le Lt de Porbec vint chés moy pour me prier de lui procurer le moyen de vendre sa commission. Il me parut un fort joly officier & il m'intéressât à son sort par le récit de ses services & des depens inevitables dans lesquelles il avoit été plongé pour remplir son devoir. Je l'invitay à diner où j'eus lieu de me persuader que ce seroit une perte pour le service s'il se retiroit. Il me dit que ses dettes ne montoient pas au delà de 50 à 60 £ St. mais que son Père qui avoit une nombreuse famille ne pouvant pas l'assister il se voyoit obligé de vendre pour payer ses dettes.

Budé et Green ont dixé chés moy.

Jedy 15.

Je rencontray Lord Amherst au Parok à qui je dis que je ferai mon possible pour retenir le Lt de Porbec dans le Batt. et que s'il étoit nécessaire je payerois ses dettes. Je lui dis ensuite les depences que j'avois faites p^r retenir d'autres officiers ce qu'il approuva beaucoup. Je lui dis que j'avois reçu une lettre du chevalier Yong au sujet de la destination du 1^{er} Batt. Il me dit qu'il en avoit reçu une & qu'il avoit ordonné à l'agent de m'en envoyer copie. Il m'a paru à plusieurs occasions qu'il est jaloux du Secrétaire de la guerre et qu'il croit avoir seul le commandement du Regim^t.

Fait une longue promenade à cheval et ensuite visite au Baron Alvensleben M. Le Lt de Porbec a diné chés moy qui me dit que la dette principale qu'il avoit étoit auprès de l'agent qui lui avoit avancé sa paye du Lt jusques au 25 Décembre prochain, que ses autres dettes ne montoient pas à £20. Il me parut cependant déterminé à quitter, & à reprendre ses études pour les Loix.

Payé 5½ guinées pour deux Robes & de la toile pour deux chemises pour Madame Fairchild.

Vendredy 16.

Je fus chés Lord Amherst à qui je dis que j'avancerais l'argent nécessaire £100 au Lt Porbec pour payer ses dettes et le mettre à même de se rendre chés lui, & que je le priois de lui procurer une congée d'une année, &c. Il approuva fort ce que je faisois pour les officiers que se trouvoient dans l'embaras &c. Je fus à la citté pour prier M. Corro de me procurer une copie de la lettre de l'agent Ross & Gray à Hanley. Il me promit qu'il le feroit, & me parut charmé de voir jour de finir l'affaire du feu Genl Prevost par un arbitrage. Diné chés le G^l Smith, avec le G^l Douglas, &c.

8. *Thursday.* Was at the Court and saw the address of the House of Lords to the King presented. The Ambassador from France told me that his Court was interested in [The sentence is not finished.]

12. *Monday.* Rode out, made a few calls and spent the evening at home.

13. *Tuesday.* Rode with General Roy and Captain Bisset. The former told me that Mr. Archell [Herschel ?] had discovered two satellites to the new planet, [one of] which made a revolution in the space of eight days, and the other in about thirteen days; that no astronomer in France or elsewhere had been able to see them, and that the French especially were greatly piqued that our instruments so much surpassed theirs.

General William Fawcett came to tell me that it was proposed (if I had no objection) to send my battalion to Canada; but that as Hope was in command there as Brigadier, Etherington would have to be brought to England, he being the senior.

Dined at the Club, at which Lord Shuldham presided. There were about 20 and everything went off well. From there I went with Lord Shuldham to Madame Trapaud's, where there was a crowd and such an extraordinary heat that I was much distressed.

General Christie surprised me by saying that General Smith had refused to be his arbitrator in the dispute with the agent respecting the lost clothing.

14. *Wednesday.* Lieut. Porbec came to beg me to procure him the means of selling his commissoin. He seemed to me a good officer and he interested me in his fate by the statement of his services and of the inevitable expenses into which he had been plunged to discharge his duties. I invited him to dinner, at which I had reason to persuade myself that it would be a loss to the service if he retired. He told me his debts did not exceed £30 or £60 sterling, but that his father, who had a large family, not being able to assist him, he saw himself obliged to sell to pay his debts. Budé and Green dined with me.

15. *Thursday.* I met Lord Amherst in the park, to whom I said that I would do the utmost to retain Lieut. Porbec in the service, and that if necessary I would pay his debts. I then told him the expenses I had been at to retain other officers in the service, which he highly approved. I told him that I had received a letter from Sir George Yonge respecting the destination of the first battalion. He told me he had received one about it and that he had ordered the agent to send me a copy of it. It has appeared to me on several occasions that he is jealous of the Secretary of War, and that he believes he should have the sole command of the regiment.

Took a long ride and then visited the Baron Alvensleben. Lieut. Porbec dined with me and told me that his principal debt was to the agent, who had advanced his pay as Lieutenant to the 25th of December next; that his other debts did not amount to £20. He seems, however, determined to give up the service and to resume his legal studies.

Paid five guineas and a half for two gowns, and linen for two chemises for Mrs. Fairchild.

16. *Friday.* Went to Lord Amherst's to whom I said I would advance the necessary amount (£100) to Lieut. Porbec to pay his debts and to enable him to go home, and begged him to obtain for him a year's leave of absence &c. He approved greatly of what I was doing for the officers who were in difficulties, &c. Went to the city to request Mr. Coore to procure a copy of the letter from the agents, Ross & Gray, to Hanley. He promised that he would do so, and seemed delighted at the prospect of closing the business of the late General Prevost by arbitration. Dined at General Smith's with General Douglas, &c.

Samedi, 17.

Promené à cheval, diné chés le Baron Alvensleben avec le Chev : le marquis Trotty, le Comte le Gl Pauly & son campagne, le Genl Morriason & le Col: Thomas. Je conduisis le chev au club, il me parut fort instruit dans les mecaniques, & nous expliqua la possibilité qu'il y auroit été de retirer le Royal George &c.

Je reçus une [carte] de congé des officiers François que je n'avois pas vû.

Dimanche 18.

Fait une promenade jusque à Foulham avec Gunn, revenu chés moy à 4 h. Watts & le Lt Porbec ont diné chés moy. J'ai payé ce matin en présence de M. le Capt Freeman vingt guinées pour les gages de mon Domestique, François pour une année qui étoit echue hier.

J'ay prêté ce matin cent livres sterling à M. Le Lt Porbec dont il m'a fait son billet. Il doit laisser sa paye et ses arrières chés l'agent, jusqu'à ce que je sois remboursé, & lui laissé un ordre à cet effet.

Lundy, 19.

Passé chés le Cap^e Shaw, qui me dit qu'il avoit arrangé toutes les affaires du Lt Porbec. Il me fit voir aussi la distribution qu'il avoit fait des £100 St que j'ay donné au Lt Prevost pour payer ses dettes avec tous les reçus que je laissay entre ses mains. Diné chés moy & passé la soirée chés Lady Amherst où il y avoit beaucoup de monde. J'y rencontray Lord Southampton qui me fit l'histoire de son fils qu'il souhaite d'envoyer dans l'étranger &c. Je lui proposay de le faire passer à Cassel sous la conduite du Lt Porbec, &c. &c. *

Mardy, 20.

Je reçut un billet de Lord Southampton me priant de ne pas faire mention de son nom en parlant au Lt Porbec, qu'il viendroît me voir à midy. J'allay chés lui et nous convîmes que my Lord passeroit chés moy où il verroit le Lt Porbec et qu'après ça nous conviendrions de la façon dont il conviendroît de luy parler. Il s'y rendit et M. Porbec s'étant retiré après quelques conversations indifferentes my Lord me dit qu'il iroit consulter my Lady & qu'il reviendroît auprès de moy dans une heure, ce qu'il fit en m'amenant Stephen DeLancy, qu'avoit connu Porbec en Amérique et souhaitoit de lui parler. On le fit chercher inutilement.

Diné chés le col. Williamson, avec Lady Young, Lady & le Genl Fossett, le Baron Alvensleben, le Col. Marsh, Lt Charles Goad. Il y eut une assemblée le soir de 4 Tables.

Mardy 21.

Je fus chés my Lord Southampton. Porbec vint peu de temps après chés moy et je l'envoyay chés le Col. Delancy comme nous étions convenus. Peu de temps après De Lancy vint chés moy pour savoir ce qu'il conviendroît de donner à Porbec pour se charger d'avoir soin du jeune Fitzroy. Je ne voullus point dissider et luy conseilloy d'aller premièrement avec Porbec pour voir le jeune homme, de revenir ensuite icy où l'on pourroit arranger son départ. Il conviendroît que le jeune homme souhaitoit luy même d'aller en allemagne avec Porbec afin qu'il en fut plus de maistre.

Diné chés moy avec MM. de Bolton, Buda, le Baron, Marsh, & Twiss, qui se retirèrent à 9 heures.

Le Col. Christie qui passa chés moy me fit le récit de ce qui s'étoit passé à l'assemblée des Arbitres, au sujet des agens et de la façon inconcevable avec laquelle Mess. Ross & Ogilvie s'étoient conduit.

Je ne puis pas comprendre comment Lord Amherst peut soutenir de pareilles gens.

Jedy 22.

Passé chés Lord Amherst où je trouvay Robertson qui faisoit voir à my Lord les notes qu'il avoit faites pour prouver les droits que les personnes qui avoient des

* Il y a ici une confusion inexplicable dans ces entrées au sujet du lieutenant Porbec et de lord Southampton; car, dans les entrées du mois de février, il est question d'un règlement qui est apparemment postérieur à cette date-ci.

17. *Saturday*. Rode out. Dined at Baron Alvensleben's with the Marquis Trotty, the Count General Pauly [Paoli?] and his *campagne* (sic), General Morrison and Colonel Thomas. I took the Chevalier to the club. He seemed well informed on the subject of mechanics and explained to us the possibility of raising the Royal George &c.

I received a card from the French officers, whom I had not seen, taking leave.

18. *Sunday*. Walked to Fulham with Gunn. Returned home at four. Watts and Lieut. Porbec dined with me. Paid this morning in presence of Captain Freeman twenty guineas for the wages of my servant François, for the year ending yesterday.

Sent this morning £100 sterling to Lieut. Porbec, for which he gave me a note. He is to leave his pay and arrears at the agent's till I be reimbursed and he left an order to that effect.

19. *Monday*. Called on Captain Shaw, who told me he had settled all Lieut. Porbec's affairs. He also showed me the distribution he had made of the £100 I had given to Lieut. Prevost to pay his debts, with all the receipts, which I left in his hands. Dined at home and spent the evening at Lady Amherst's where were a large number of people. I then met Lord Southampton who gave me the history of his son, whom he wished to send abroad, &c. I proposed to him to send him to Cassel under the care of Lieut. Porbec, &c., &c. *

20. *Tuesday*. Received a note from Lord Southampton, asking me not to mention his name in speaking to Lieut. Porbec, that he would come and see me at noon. I went to him and we agreed that His Lordship would call at my house, where he could see Lieut. Porbec and that after that we could arrange as to the most suitable manner of speaking to him. He came and Mr. Porbec having left after some general conversation, His Lordship told me that he would consult Her Ladyship and would return in an hour, which he did, bringing Stephen de Laney, who had known Porbec in America, and wished to speak to him. A useless search was made for him *

Dined at Colonel Williamson's with Lady Yonge, Lady and General Fawcett, Baron Alvensleben, Colonel Marsh, Sir Charles Gould. There was an assembly in the evening of four tables.

21. *Tuesday*, [Wednesday]. Went to Lord Southampton's. Porbec came shortly after to my house and I sent him to Colonel de Lancy's as we had arranged. A little after, de Lancy came to my house to know what he should agree to give to Porbec, for undertaking the care of young Fitzroy. I would not decide, and advised him to go in the first place with Porbec to see the young man, then to return here, where his setting off might be arranged. He agreed that the young man himself wished to go to Germany with Porbec, that he might be more his own master.

Dined at home with the Messrs. Bolton, Budé, the Baron, Marsh and Twiss. They left at nine.

Colonel Christie who called, gave me an account of what had taken place at the meeting of arbitrators on the subject of the agents and of the inconceivable manner in which Messrs. Ross and Gilvie had behaved.

I cannot understand how Lord Amherst can sustain such people.

22. *Thursday*. Called on Lord Amherst, where I found Robertson, who showed His Lordship the notes he had made to prove the rights secured by the peace to the

* There is inextricable confusion in these entries respecting Lieut. Porbec and Lord Southampton, there being entries in the preceding February which relate to a settlement apparently subsequent to the dates above.

Terres en Amériques leurs étoient assurés par la paix, et que par conséquent le gouvernement étoit obligé de les protéger et my Lord lui dit que my Lord Carmarthon lui seroit fort obligé de luy donner des Lumières ladessus, se plaignant qu'il n'en trouvoit aucunes parmi les papiers de son office.

Robertson, que le chev. Bottby étoit mort ou ne pourroit pas vivre longtemps, demanda à my Lord & à moy s'il ne luy conviendra pas de demander son regiment le der. qui est sur l'établissement de la grande Bretagne & qui par conséquent valloit £200 st, de plus par année au lieu de sien qui se trouva sur l'établissement d'Irlande. Je le conseillay d'en rien faire, my Lord se joignit à moy & lui dit que si ce n'avoit été pour le Duc de Richemond il auroit eu le Regiment de Dragon qui est dans les Indes, & qu'il avoit droit d'espérer qu'on penserait à lui dans l'occasion. J'allay au Levée du secrétaire de la Guerre qui fut fort nombreux. Je fus de là à la cour où il y avoit un grand nombre de belles femmes.

Dinés chés moy après quoy j'allay chés Lord Southampton où nous convîmes que si Porbec recevoit 20 guinées pour son voyage, et 50 livres St. tous les trois mois il pourroit se charger d'avoir soin de la conduite du jeune homme, & de payer toute la dépense, y compris sa paye de Lt complète. Nous eumes une fort longue conversation sur ce sujet & sur le moyen d'engager le jeune homme à souhaiter luy même d'aller en Allemagne, et je m'apperçu qu'on est fort embarrassé de lui, et que l'on souhaite de l'éloigner à tout prix.

Vendredi le 23.

Je suis resté chés moy. J'ay barbouillé du papier tout l'après midy sans pouvoir écrire une lettre au chevalier Grau, qui me parut présentable.

Samedy 24.

Promené à cheval. Diné chés moy avec Badé le Col : Leyland et le Major Gunn. Je fus le soir chés le G^l Christie pour lui parler au sujet de son procès avec les agents, et je lui proposay de lui procurer une conférence avec M. Corre & M. Tessier pour déterminer le party qu'il conviendrait de prendre pour se faire rendre justice revenu chés moy à 11 heures.

Dimanche 25.

R çu la visite du G^l Robertson, qui me parla de l'affaire du G^l Christie. Il blâme fort les agents, mais il paroît douter si Madame Prevost pourra obtenir quelque chose des agents.

Mr. Dunn vint m'annoncer qu'il comptoit de partir d'icy d'aujourd'huy en huit pour s'embarquer au bord de l'Euretta, Cap. Fittenbe pour se rendre en Canada. Il n'a pas pu finir ses contes, et laissera un pouvoir d'atorney au Cap. Twiss pour répondre aux questions qu'on pourroit faire. Pendant son absence la Trésorerie lui redoit passer 700 l. st. dont il ne pourra être remboursé que lorsque ses contes seront finis.

Les commissaires lui ont fait plusieurs questions au sujet de l'affaire de Taylor & Forseight [Forsyth] entre autre sur un voucher de 30,000 et quelques mille livres qui avoit été tirés sur moy & dont je n'ay payé qu'une partie; ce bill étant nécessaire pour suivre l'action que je fis ententer contre ses gens là; & logé en original à la cour à Québec. Il m'a promis qu'il me donneroit copie des questions qu'on lui a faites à ce sujet, & de la reponse qu'il y a faite. Par le procès cy-dessus mentionné j'ay sauvé sur ce seul article passé £5,000 à la couronne. Ce fut par le moyen d'un certain Douglas, qui étoit leur clarok à Niagara que je parvins à decouvrir leur fourberie.

Dunn me dit que Livius étant un denisant ne pouvoit pas occuper d'employ de confiance dans les Domaines du Roy, qu'il y avoit une pénalité attachée (£500 St.) pour chaque employ qu'un Denisant occuperoit, qu'en ayant occupé cinq si quelqu'un le prosecuta pourroit lui faire payer £2,500 dont la moitié seroit pour luy.

Il m'assure que malgré la paye qu'il avoit eu pendant la guerre dans les différents employs qu'il occupoit il n'avoit point épargné d'argent. Il me dit de plus qu'il lui étoit deû par différentes Personnes du militaire au dela de £3000 dont il ne retireroit jamais un sol. Enfin il me dit qu'il avoit beaucoup changé d'opinion sur la bonne idée qu'il avoit des Loix de ce Pays, &c., &c.

persons who had lands in America and that consequently Government were obliged to protect them. His Lordship told him that Lord Carmarthen would be greatly obliged to him for information thereupon, which he did not find in the vaults among the papers belonging to his office.

Robertson, as Sir Boothby was dead, or could not live long, asked His Lordship and me, if it would not be proper to ask for his regiment, the last on the establishment of Great Britain, and consequently worth £200 sterling more a year than his, which is on the Irish establishment. I advised him to do nothing about it, His Lordship agreed with me, and told him that but for the Duke of Richmond he would have had the regiment of Dragoons, which is in India, and that he had a right to hope that he would be thought of as occasion arose. I went to the Secretary of War's levée, which was very numerously attended. Thence to the Court, where there were many beautiful women.

Dined at home, after which I went to Lord Southampton's where we agreed that if Porbo received twenty guineas for travelling expenses, and £50 sterling every quarter he might undertake the care of the young man's conduct, and to pay all the expenses, including his full pay of lieutenant. We had a very long conversation on this subject and on the best way to get the young man himself inclined to go to Germany. I can see that he is a great trouble and that it is wished to send him off at any cost.

23. *Friday.* Remained at home. Scribbled over the paper the whole afternoon, without being able to write to the Chevalier Grau a letter which seemed presentable.

24. *Saturday.* Rode out. Dined at home with Budé, Colonel Leyland and Major Gunn. Went in the evening to General Christie's to speak to him about his suit with the agents, and proposed a conference with Mr. Coore and Mr. Tessier, to settle the suitable course to take to obtain justice. Returned home at eleven.

25. *Sunday.* Had a visit from General Robertson, who spoke to me about General Christie's business. He blames the agents very much, but appears to doubt if Mrs. Prevost could obtain anything from them.

Mr. Dunn came to inform me that he counted on leaving here in eight days, to embark in the *Euretta*, Captain Fittenbe, for Canada. He has not been able to finish his accounts and will leave a power of attorney with Captain Twiss, to answer questions which may be put. During his absence the Treasury allowed as owing him £700 sterling, for which he cannot be reimbursed till his accounts shall be finished.

The commissioners put several questions to him respecting Taylor and Forsyth's business, among others on a bill for £30,000 odd, which had been drawn on me and of which I had paid only a part, that bill being necessary in carrying on the action which I had instituted against these people and the original lodged in the Court at Quebec. He promised he would give me a copy of the questions put to him on this subject and of the answer he had made to them. By the suit above mentioned, I saved on that single item, upwards of £5,000 to the Crown. It was by means of a certain Douglas, who was their clerk at Niagara, that I managed to find out their rascality.

Dunn told me that Livius, being a foreigner could not occupy any office of trust in the King's domain; that there was a penalty attached (of £500 sterling) for each office which a foreigner occupied; that having occupied five, if any one prosecuted he could make him pay £2,500, of which half would be for the prosecutor.

He assured me, that notwithstanding the pay he had had during the war in the five offices he had held he had saved no money. He said further that there was owing to him by different persons of the military, upwards of £3,000, for which he would never receive a sou. Finally he told me that he had greatly changed his opinion and the good idea he held of the laws of this country, &c., &c.

Mr Dunn me dit qu'il croioit que M. Pitt n'osoit pas entamer les affaires de Cochran, parcequ'elles avoient été transigées du temps de l'administration de Lord North. Craint que s'il étoit obligé de faire un compromis l'opposition ne lui en fit des reproches, on croioit que Lord Dorchester aurait des Instructions sur ce sujet, mais il n'en a point reçu l'avis de M. Chamberlin Solliciteur de la Tresorerie qui est regardé comme un très habile homme, étoit d'opignon que ce qu'on pourroit faire de mieux étoit d'envoyer quelqu'un en Canada & de retirer tout l'argent qu'on pourroit, & il y a eu plusieurs consultations là-dessus, mais il paroît qu'on n'a rien dessidé.

L'affaire de Tailleur & Fore-ight [Taylor & Forsyth] est toujours en appel & ne finit point, enfin j'ay été très content de M. Dunn.

Lundy, 26.

J'ay fait quelques visittes le matin surtout chés le Duc de Northumberland qui m'a très bien reçu.

[L'entrée qui suit dans le journal est celle qui vient ci-après, mais le commencement manque et la date est douteuse. Le procès de Warren Hastings, dont le cadeau à la reine est mentionné dans le dernier paragraphe de l'entrée qui suit, avait été commencé en 1786].

..... commissaire des Contes. Il est certain qu'il a été des premiers qui ont revenu en Amerique, mais ensuite il s'est rangé du party du gouvernement, & a été tres utile Robertson m'en disoit un trait essentiel. Notre flotte qui étoit à N. Y. ayant besoin de réparation prompte, afin de faire voile pour proteger Lord Cornwallis, il ne se trouva pas assez d'ouvriers au chantier. Robertson proposa de rassembler tous les charpentiers, & en chargea M. Low qui en trouva un très grand nombre. Mais ceux du chantier ne voulurent pas les recevoir de sorte que la Flotte perdy par la passé 16 jours de temps ce qui fut en partie la cause du malheur de Lord Cornwallis. Cette anegdote est peu connu. Ce même M. Low engagea environ 3 ou 400 hommes à s'embarquer dans la flotte de l'amiral lorsqu'elle fit voile.

Fait visitte au G^l Armstrong que je trouvoy.

Robertson me parla du discours que M. Francis avoit tenu au Parlem^t au sujet des Diamands que M. Hastings avoit apporté & fait présent à la Reine. Il croit M. Hastings riche d'un million & demy.

Avril, Samedy 28.

Requ une lettre du G^l Budé qui m'invitta fort à aller à Cheltenham. Il dit des merveilles de ces eaux. Fait visitte à Lady Holderness qui me fit l'histoire de Messrs Green de L^r Tessier & de Mad : Haller & de sa mère ami du Prince de Hesse. Passé chés Mad : Monster qui me fit des reproches obligéant de l'avoir négligée.

Le G^l Koningham dina chés moy & je fus avec lui au Clob de Caré, ou je trouvoy fort bonne compagnie. Je passay quatre & demi guinées pour ma souscription & me retira à 11 heures.

Dimanche 29.

Fait visitte au chev : John Dick, qui me dit qu'il ne pouvoient point passer de conte sur qu'on ne leur produit de vouchers, &c.

Diné & passé la soirée chés moy apres avoir fait quelques visittes en blanc.

Lundy le 30.

Je rencontray M. Corre qui me dit que dans le courant de la semaine il passeroit chés moy pour examiner tous les papiers concernant Charles Hay. Il m'asseure que le procès sera jugé dans le courant du mois. Il me dit de plus qu'il venoit de parler à Harley qui lui dit que la raison qui l'avoit engagé à ne pas faire voir la lettre de Ross & Gray ne subsistant plus il lui en donneroit la copie quand il voudroit.

Il me dit de plus qu'il avoit intenté un procès aux agents pour les prétentions du G^l Provost.

Passé à l'exhibition de Somerset house que j'ay trouvé très mauvaise.

Le G^l McLean a dîné chés moy apres quoy j'ay été au Clob, jusqu'à 11 $\frac{1}{2}$.

Mardy, May 1.

Promené à cheval, passé chés le B. Alvensleben—dîné au Clob. Nous étions 24, tous de bon humeur & j'i suis resté jusqu'à une & demy heure du matin.

Mr. Dunn told me that he believed Mr. Pitt did not dare to enter on the affairs of Cochrane, because they had been transacted during Lord North's administration; for fear that if he were obliged to make a compromise the opposition would attack him. It is believed that Lord Dorchester must have received instructions on the subject, but he has not received the opinion of Mr. Chamberlin, solicitor to the Treasury, who is regarded as a very able man. He was of opinion that the best thing to be done was to send some one to Canada, and to secure all the money possible. There have been several consultations on the subject, but it appears that nothing has been decided.

The affair of Taylor and Forsyth is still in appeal and does not end. Indeed, I have been very well pleased with Mr. Dunn.

26. *Monday*. Paid a few visits in the morning, especially one to the Duke of Northumberland, who received me very well.

[The next entry in the diary is the following, but the beginning of it cannot be found and the date is doubtful. The trial of Warren Hastings, whose gift to the Queen is referred to in the last paragraph of this entry, was begun in 1786.]

..... the commissioners of accounts. He is certain that he was among the first who returned to America, but afterwards was among the ranks of the government party and was very useful. Robertson gave me a striking instance of this. Our fleet which was at New York, required immediate repair in order to set sail to protect Lord Cornwallis; there were not enough of workmen in the yard. Robertson proposed to collect all the carpenters and put them in charge of Mr. Low, who found a great many of them. But those in the yard would not receive them, so that the fleet lost a fortnight by the delay, which was partly the cause of Cornwallis' misfortune. This anecdote is little known. This same Mr. Low engaged about 300 or 400 men in the Admiral's fleet when it set sail.

Visited General Amherst whom I found in. Robertson spoke to me of the speech Mr. Francis had made in Parliament on the subject of the diamonds Mr. Hastings had brought and presented to the Queen. He believes Hastings to be worth a million and a half.

28. *April. Saturday*. Received a letter from General Budé, with a pressing invitation to go to Cheltenham. He highly extolled these waters. Paid a visit to Lady Holderness, who gave me the history of Messrs. Green, Louis Tessier, and Mrs. Haller, and of her mother, a friend of the Prince of Hesse. Called on Mrs. Munster, who politely reproached me for having neglected her.

General Cunningham dined with me and I went with him to the Carré [?] Club, where I found very good company. I paid four guineas and a half for my subscription and left at eleven.

29. *Sunday*. Paid a visit to Sir John Dick, who told me he could pass no account^t for which there were not vouchers produced, &c.

Dined and spent the evening at home after having paid a few visits.

30. *Monday*. Met Mr. Coore, who told me that he would call in the course of the week to examine all the papers concerning Charles Hay. He assured me that the case would be decided in the course of the month. He told me further that he had just spoken to Harley, who said that the reason which bound him not to show Ross & Gray's letter no longer existing, he would give him a copy when he wished it.

He said, besides, that he had entered a suit against the agents for General Prevost's claims.

Called at the Somerset House Exhibition, which I thought very bad.

General McLean dined with me, after which to the Club till half past eleven.

May.

1. *Tuesday*. Rode out; called on Baron Alvensleben. Dined at the Club; we were 24, all in good humour; stayed there till half past one in the morning.

Mercredi, 2.

Promené à cheval, diné chés moy & passé la soirée chés Madame Trepand ou il y avoit beaucoup de monde. Gagné 2 Roberts.

www.libtool.com.cn Jeudi 3.

Promené à cheval. Diné chés moy, & passé la soirée chés le Baron Alvensleben. J'ay donné a janny 2 guinées à conte de ses Gages. Le G^l Carry m'a fait visite, &c. &c.

Vendredi, 4.

Je fus à la cité pour parler à M. Corre qui me dit qu'il feroit son possible pour que mon affaire se finit bientôt, ce qu'il me dit de remarquable est qu'on n'est jamais assuré de la Tournure que les affaires des Loix peuvent prendre. J'allay visiter trois différentes exebitions—diné chés moy, fait visite à Mad. Robertson.

Samedi, 5.

Je fus à Blackeath avec Lord Amherst pour voir exercer les Gardes à cheval. revenu déjeuner chés lui & diné chés le Chevallier James Napier avec Robertson, Read, Koningham & le Col. Burton & le Cap^t Burton & j'allay passer la soirée au clob. Je trouvoy à mon retour une Lettre de ma belle sœur qui m'annonçoit la mort subitte de ma belle sœur Charliet & le déclin de ma sœur Jeanne. Reçu aussy une Lettre de M. de Bosq. [Boisy ?]

Dimanche 6.

Je fus faire visite à M. Sanders à Haygate, de la Hamstead venu diner ches moy fait quelques visites en blanc le soir et revenu ches moy.

Lundy, 7.

Promené à cheval & revenu chés moy écrit à Budé en lui envoyant une lettre de M. de Boisy & le Courier du Bas Rhin.

Mardy, 8.

Je fus voir la revue des gardes bleus qui est certainement le plus beau regiment de cavallerie en Angleterre. Revenu a 1 $\frac{1}{2}$ chés le Duc de Nortumberland ou j'ay trouvé my L^d Darlington & my Lady, Lord & L^d & Lady Elliot, M. & Mad. Wane le Chev. Dundas & le Chev. avec le G^l Rainsforth, revenu à 10 heu^e & resté ches moy.

Mercredi le 9.

Lord Amherst le G^l Carey, Robertson Morrison & le Col. Wuilliamson dinerent ches moy. Je fus au Levé ou le Roy me demandat si j'avois des nouvelles de Salzas. Je lui dit celles que j'avois reçu de M. de Boisy. Il me dit qu'il étoit heureux qu'il le fut fait operer, qu'on avoit crain que s'il différoit plus longtems la gangrene ne s'est mis à sa main. Je dis à S. M. que je me persuadois que Cabanis avoit tout préparé avant l'opération pour couper le poignet à Salzas au cas que l'opération ne réussit pas. Le roy me demanda si quelqu'un m'avoit dit ça. Je lui dit que non, que c'étoit une idée qui m'étoit venue sur quoy S. M. vous êtes toujours soldat & toujours droit.

Jendy le 10.

Je fus à la cour qui fut fort nombreuse. La Rene me demanda les nouvelles de Salzas & me dit qu'elle étoit surpris que Budé ne leurs en eusse point donné. Je lui dis qu'il n'en avoit point lui meme excepté par le billet de son frere que je lui avois envoyé il y avoit deux jours.

Vendredi le 11.

Je vis la revue des gardes à cheval à Blackheath qui firent fort bien. Dinné chés moy. Passé la soirée chés Mad. Dromond & Mad^e Patisson ou je gagnay 4 guinées.

Samedi 12.

Le Docteur Brown a dinné ches moy.

Dimanche 13.

Les G^{ls} Robertson, Koningham, S^r James Napier et le G^l Smith dinèrent ches moy, promené la soirée et revenu ches moy fort fatigué, passé une mauvaise nuit avec des inquiétudes dans les jambes et les cuisses que je n'avois jamais resseny au aravant avec une chaleur brulante dans les jambes & les pieds qui m'empêcherent

2. *Wednesday.* Rode out; dined at home and spent the evening at Mrs. Trepaud's which was crowded; won two rubbers.

3. *Thursday.* ~~Rode out~~; dined at home and spent the evening at Baron Alvensleben's. Gave Jenny two guineas on account of her wages. General Curry paid me a visit.

4. *Friday.* Went to the City to speak to Mr. Coore, who said he would do his utmost to have my business settled soon; what he told me remarkable is, that nobody is sure of the turn legal affairs may take. Went to visit three different exhibitions; dined at home and visited Mrs. Robertson.

5. *Saturday.* Went to Blackheath with Lord Amherst to see the Horse Guards exercise. Returned to breakfast with him and dined at Sir James Napier's with Robertson, Kead, Cunningham, Colonel Burton and Captain Burton, and then went to spend the evening at the club. On my return I found a letter from my sister-in-law, informing me of the sudden death of my sister-in-law Charliet and my sister Jeanne's decline. Received also a letter from M. deBosq (Boisy?)

6. *Sunday.* Went to visit Mr. Sanders at Highgate, thence to Hampstead; dined at home, paid a few visits in the evening and then home.

7. *Monday.* Rode out. Home and wrote a letter to Budé, sending a letter from M. de Boisy and the *Courrier du Bas Rhin*.

8. *Tuesday.* Went to see the review of the Horse Guards Blue, which is certainly the finest regiment of cavalry in England. Returned at half past one to the Duke of Northumberland's, where I found Lord and Lady Darlington, Lord and Lady Elliot, Mr. and Mrs. Wane, and Dundas, Sir _____, Lord _____ with General Rainsforth. Returned at 10 and stayed at home.

9. *Wednesday.* Lord Amherst, Generals Carey, Robertson and Morrison and Colonel Williamson dined with me. Was at the levée where the King asked me if I had any news of Salzas. I told him what I had heard from M. deBoisy. He said that he was happy he was to be operated on, that it was feared if it was deferred longer the gangrene would attack his hand. I told His Majesty I was persuaded that Cabanis had everything prepared before the operation to cut off Salzas' wrist should the operation not succeed. The King asked if any one had told me. I said no, it was an idea which had occurred to me, on which His Majesty said: "You are always a soldier and always right."

10. *Thursday.* Was at the Court, which was very numerously attended. The Queen asked for news of Salzas and said she was surprised that Budé had not given them any. I told her that he had none himself, except by his brother's note, which I had sent him two days ago.

11. *Friday.* Saw the review of the Horse Guards at Blackheath, which was very good. Dined at home. Spent the evening at Mrs. Drummond's and Mrs. Patisson's, where I won four guineas.

12. *Saturday.* Dr. Brown dined with me.

13. *Sunday.* Generals Robertson and Cunningham, Sir James Napier and General Smith dined with me. Took a walk in the evening and returned home greatly fatigued. Passed a bad night with pains in my legs and thighs, which I had never felt before, with a burning heat in my legs and feet which prevented me from closing an eye before four in the morning. I can't tell to what to attribute it. Mr. York

de fermer l'œil avant les 4 heures du matin. Je ne sais à quoy l'attribuer. Mr York passa ches moy pour me parler de son neveu. Je lui conseillay de l'envoyer à Gibraltar. Je suis bien surpris que le chev. York ne m'en aye pas parlé lui même, l'ayant vu à la Cour & à la revue. Promeré au Parck en cheval ou il y avoit un monde infiny. www.libtool.com.cn

Lundy 14.

Fait quelques visites et revenu ches moy à deux heures ou j'ay trouvé une lettre de Budé.

Mardy 15.

Fait visite à M. York ou le chev. & l'éveque ses frères sont survenus qui ont tous approuvé l'idée d'envoyer le jeune York à Gibraltar.

Diné ches le chev. G. Young avec le Duc de Northumberland, Ld Arrington, G^l Houbard [Howard], le G^l Fosset, le G^l Bond, le G^l Robertson Monsieur le G^l Howard, le Col. Simpco, [Simcoe], le Chev. York. J'ay passé la soirée ches Madame Munster.

Mercredi 16.

Je fus voir Madame Corre à la campagne & M. en ville, nous convimes que j'iray direr chés lui vendredy pour parler de mon procès. Je fus chés le chev. Clinton que je ne trouvay pas. Diné chés le G^l Morison en compagnie d'hommes & de femmes Le comte de Linden qui s'y trouvoit me fit beaucoup meilleur accueil qu'à son ordinaire. Il vouloit me convaincre que le Duc Louys estoit ennemi des Suisses et avoit voulu persuader les membres de la Republique de les renvoyer pour prendre des troupes allemandes à la place, qu'ils auroient à meilleur marché mais que les Hollandais avoient trop de confiance dans les Suisses pour donner dans ces idées qui estoient de remplir la Hollande de Princes et de comtes allemands. Joué deux robbers gagné 3½ guinées.

Jedy 17.

Le G^l McLean vint déjeuner ches moy & je fus ensuite avec le Commis de M. Corre faire un affidavit à Westminster pour exiger que Charles Hay donne sureté pour les frais du Procès qu'il me fait au cas qu'il le perde — rencontré Lord Amherst au parck et ensuite Ld Sydney qui me parla de mon ancien amy le G^l H. Honvay qui estoit bon officier de Cavallerie mais fort mauvais cavallier. Dinné ches moy. Passé la soirée ches Madame Dromond.

Vendredy 18.

Diné chés M. Corre avec le chev. George Thomas qui conoit la Suisse mieux que moy et qui en paroit enchanté. Passé la soirée chés Mad: Robertson gagné ½ guinée au whist.

Samedy 19.

Fait quelques visites. Diné ches moy.

Dimanche 20.

Je fus chés le chev: Clinton qui me parut fort extraordinaire ne se rappelant jamais de la lettre qu'il m'avoit escrit pour me donner avis qu'on projettoit une invasion dans le Canada. Il me parla beaucoup de ses propres affaires et me dit ensuite que j'avois beaucoup d'amis dans ce Pays. Il nomma Lord Sydney.

J'allay de la avec le G^l Robertson ches M. Corre ou nous convimes qu'il nous rencontreroit Mardy à 10 heures du matin avec Arnold et MacLean ches moy. Diné ches le G^l Robertson revenu ches moy à 10½ heures.

Lundy 21.

Je fus à la cité où je vis Tessier qui me dit qu'il avoit reçu quelques Bouteilles de vin que le General Grand lui avoit envoyé, qui étoit passable. Je rencontray à l'exhibition le Conte Lene avec le Baron un ancien camarade de la Haye qui me reconnut d'abord.

Je devois dîner ches Lady Holderness mais je m'excusay. Elle m'apprit la reconciliation du Prince de Galles etc. etc.

Mardy 22.

Mess^{rs} Robertson Corre MacLean et Arnold vinrent ches moy. Le dernier parut surpris de voir que le papier contenant les noms des personnes suspects en Canada

called to speak of his nephew. I advised him to send him to Gibraltar. Am surprised that Sir Joseph York has not spoken himself, having seen him at the Court and the Review. Rode in the Park where was an infinity of people.

14. *Monday.* Paid a few visits and returned home at two, when I found a letter from Budé.

15. *Tuesday.* Called on Mr. York, where Sir Joseph and the Bishop, his brothers, happened to come in, who approved of the idea of sending young York to Gibraltar.

Dined at Sir George Yonge's, with the Duke of Northumberland, Lord Arrington, [Arlington], Lieut. Houhard [Howard], General Fawcett, General Bond, General Robertson, General Howard, Colonel Simcoe [Simcoe], Sir Joseph York. Spent the evening at Mrs. Munster's.

16. *Wednesday.* Went to see Mrs. Coore in the country and Mr. Coore in town. We agreed that I should dine with him on Friday to speak of my suit. Went to Sir Henry Clinton's whom I did not find in. Dined at General Morrison's in company of men and women. The Count de Linden, who was there, gave me a much better reception than usual. He wished to convince me that Duke Louis was an enemy to the Swiss and wanted to persuade the members of the Republic to dismiss them in order to take German troops in their place as they would be cheaper, but that the Dutch had too much confidence in the Swiss to give in to these ideas, which would fill Holland with German Princes and Counts. Played two rubbers; won three guineas and a half.

17. *Thursday.* General McLean breakfasted with me. Went then with Mr. Coore's clerk to make an affidavit at Westminster, to require Charles Hay to give security for the suit he has in court should he lose it. Met Lord Amherst in the Park and then Lord Sydney, who spoke to me of my old friend, General H. Honvay, who was a good officer of cavalry but a bad rider. Dined at home. Spent the evening at Mrs. Drummond's.

18. *Friday.* Dined at Mr. Coore's with Sir George Thomas, who knows Switzerland better than I, and appeared enchanted with it. Spent the evening at Mrs. Robertson's. Won half a guinea at whist.

19. *Saturday.* Paid a few visits. Dined at home.

20. *Sunday.* Went to Sir Henry Clinton's. It seems to me extraordinary that he never remembered the letter he had written me, giving notice of an intended invasion of Canada. He spoke a great deal of his own affairs, and then told me I had many friends in this country. He named Lord Sydney.

Went from there with General Robertson to Mr. Coore, where we agreed that he should meet us on Tuesday, at 10 in the morning, with Arnold and McLean, at my house. Dined at General Robertson's; home at half past ten.

21. *Monday.* Went to the city, where I saw Tessier who told me he had received a few bottles of wine sent him by General Grant, which was passable. I met at the exhibition Count Lene and Baron , an old comrade at the Hague, who recognized me at once.

I was to dine with Lady Holderness, but made an excuse. She informed me of the reconciliation of the Prince of Wales, &c., &c.

22. *Tuesday.* Messrs. Robertson, Coore, McLean and Arnold came to my house. The latter appeared surprised at seeing that the paper containing the names of the suspected persons in Canada was to become public. He hesitated as to the deposition

vint à paroître en publique. Il hesitat sur la deposition qu'il devoit faire et alla enfa avec M. Corre pour déposer etc. Le G^l Robertson et Koningham dinèrent ches moy.

Mercredy.

J'envoyay à Arnold une Lettre par le Gouver Cox de la Baye des Challeurs, & O'hara de Gaspé pr le recomandé les priant de lui donner tous les indices qu'ils pourroient concernant la seigneurie de Pabos et mes Terres de bonne Avanture, dont je souboittoit de me deffaire. Robertson me dit que la Tresorerrie devoit dans peu de temps examiner les affaires de Cockran au sujet de l'argent qu'il avoit tiré en Canada, et que je devois estre pret à repondre Il me dit que Gordon lui avoit dit que Williams estoit un mauvais sujet qui avoit commis une forgerie. Je lui fis voir impudemment les papiers que Wailliams avoit préparé. Il faudra que je le previenne afin qu'il n'en fesse pas part à Gordon.

Henry Hollande qui arrive de Demarara vint me voir, et dinna ches moy. C'est un jolly garçon que je pourray m'attacher dans la suite.

Jedy 24.

Je fus à la cour qui estoit très nombreuse. Le Prince de Galle avec le Duc de Comberland y vinrent avec toute leur suite, et sur la fin Charles Fox y vint aussi. Le Roy lui dit *Il fait un temps bien doux aujourd'hui*, et se tourne vers une autre personne. La Rene evittait de lui parler. Fox se retiroit avant que le Roy sortit; passé la soirée ches Mad : Morisson perdu 3 guinées.

Vendredy 25.

Le G^l Budé qui arriva ce matin de Cheltenham dina chés moy avec l'amiral Digby, le G^l Koningham Morisson & le G^l Roy & le Lt Holland dinerent chés moy. Je fus passer la soirée chés Lady Gideon ou il y avoit un monde infiny. J'y restay jusques à 3 $\frac{1}{2}$ du matin.

Samedy 26.

Promené au Parck ou je rencontray le Duc de Northumberland avec qui je me promenay. Nous vimes passer le Roy & la Rene avec les Princesses. Budé & le Baron Regensfeld dinerent chés moy nous fumes ensuite faire une visitte au chevalier Pollon qui me parut avoir beaucoup maigry. Je lui envoyeray demain de la racine de Gensing. revenu chés moy à 9 $\frac{1}{2}$ heure.

Dimanche 27.

J'allay diner chés M. Corre avec le G^l Robertson, McLean McLeod Grant, Freeman, passé la soirée chés Lady Amberst ou il y avoit un mauvais concert & beaucoup de monde ou plusieurs personnes s'enuiroit parcequ'on n'y joue pas. Revenu à 11 $\frac{1}{2}$ h.

Landy 28.

Le jeune Davisson qui passa chés moy me fit part du dessein que le Chev. Mills avoit de suspendre le Col : Caldwell de son employ de Deputé Receveur General du Canada & de l'appointer à sa place & qu'il avoit cru devoir m'avertir. Je lui dis que je ne pouvois point me mêler des affaires du Canada & que même j'aurois souhaité de n'avoir rien reçu de ce projet, que je lui conseillai d'estre sur ses gardes avec le chev. que je le croyais embarrassé. Il me dit que Caldwell en avoit agi fort mal avec Davisson & Leos en cherchant à leur enlever le contrat pour la fourniture des farinnes pour les Troupes, &c. Ce contrat vaut à ces Messieurs un salaire de £300 st par année outre 25 $\frac{1}{2}$ pour cent pour les achats qu'ils font, ce qui est assés considerable pr ce Pays là Mais aussi ils sont obligé de transiger toutes les affaires que leurs principaux ont dans ce Pays là.

Il me dit ensuite qu'ils avoient fait l'acquisition du contrat pr les forges dont ils avoient donné 2000 L. St. & satisfait les pretentions que M. Genevay avoit en par l'association qu'il avoit fait avec Guky. Il me dit de plus qu'ils avoient trouvé aux forges pour plus de 1000 St. de mine de fer, qui payoient la moitié de ce qu'ils en avoient donné, & qu'ils avoient vu par les livres de Guky qui estoient entre leurs mains qu'il avoit fait mille à 1500 L. St de profit clair chaque année.

Sur l'affaire du Poste d'enbas il me dit qu'ils avoient pris Peter Stuart pour associe ou il aura 6eme du profit net sans estre obligé à aucune avance. Mais il doit

he was to make, and finally went with Mr. Coore to make his deposition, &c. Generals Robertson and Cunningham dined with me.

23. *Wednesday.* I sent to Arnold a letter for Governor Cox, of the Bay of Chaleur, and O'Hara, of Gaspé, recommending him and begging them they would give him all the information they could concerning the seigniory of Pabos and my lands in Bonaventure, which I wish to get rid of. Robertson told me that the Treasury was in a short time to examine the affairs of Cochrane, in relation to the money he had drawn in Canada, and that I was to be ready to answer. He told me that Gordon had said that Williams was a worthless fellow who had committed a forgery. I imprudently showed him the papers Williams had prepared. I must warn him not to take Gordon's side.

Henry Holland, who has arrived from Demerara, called and dined with me. He is a fine young man whom I might at some time attach to me.

24. *Thursday.* Was at the Court, which was very full. The Prince of Wales and the Duke of Cumberland came there with their whole suite, and towards the end Charles Fox came also. The King said to him: It is a fine day, and turned towards some one else. The Queen avoided him. Fox withdrew before the King left. Spent the evening at Mrs. Morrison's; lost three guineas.

25. *Friday.* General Budé, who arrived this morning from Cheltenham, dined with me, along with Admiral Digby, General Cunningham, Morrison, General Roy, and Lieut. Holland. Spent the evening at Lady Gidson's, where there was an immense crowd. I stayed there till half past three in the morning.

26. *Saturday.* Walked in the Park, where I met the Duke of Northumberland, with whom I took a walk. We saw the King and Queen with the Princesses pass. Budé and Baron Regensfeld dined with me, and we then went to pay a vi-it to Mr. Pollon, who seems to be much emaciated. I will send gensing root to him to-morrow. Home at half past nine.

27. *Sunday.* Went to dine at Mr. Coore's with General Robertson, McLean, McLeod, Grant and Freeman. Spent the evening at Lady Amherst's, where there was a bad concert and a crowd, and several persons grumbled that there was no card playing. Home at half-past eleven.

28. *Monday.* Young Davison, who called on me, informed me of the intention of Sir Thomas Mills to suspend Colonel Caldwell from his office of Deputy Receiver General of Canada and to appoint him in his place, and that he thought it his duty to give me notice of it. I told him that I could not interfere in the affairs of Canada, and that I even wished I had known nothing of the project; that I advised him to be on his own guard with Sir Thomas, as I believed him to be embarrassed. He told me that Caldwell had acted very ill towards Davison and Lees, by seeking to get out of their hands the contract for supplying flour to the troops, &c. This contract was worth £300 sterling a year of salary to these gentlemen, besides 25½ per cent. for the purchases they made, which is considerable enough for that country, but they are also obliged to transact all the business their principals have there.

He told me then that they had obtained the contract of the forges, for which they had given £2,000 sterling, and satisfied the claims which Mr. Genevay had from his partnership with Gagy. He told me further, that they had found at the forges iron ore worth upwards of £1,000 sterling, which paid half of what they had given, and that they had seen by Gagy's books, which were in their hands, that he had made from £1,000 to £1,500 sterling of clear profit every year.

On the affair of the lower posts, he said that they had taken Peter Stuart as partner, in which he will have one-sixth of the net profits, without being obliged to make any advance, but he is to take charge of all the business and even to forward

être chargé de toute la besogne et même de faire expédier toutes les Pelletteries par Londres—par les comptes que Stuart leurs a fait voir pendant onze années consécutives ceux qui avoient des postes ont eu de profit clair & net après toutes les dépenses déduites en delà de 2500 L. St par année, &c. N.-B. par les comptes que King le marchand pelletier m'en avoit donné, je devois croire que ce profit devoit être plus considerable. Il me dit de plus qu'il avoit une moitié dans le profit & que son frère & Lees avoient ensemble l'autre moitié, & qu'ils feroient une pension de £150 par année pendant leur Bail à M. Baby, qui leur avoit cédé sa portion. N. B. Ceoy ne s'accorde pas à ce que Baby m'en a écrit qui dit qu'ils ne lui donnent que £50 St par année. Il me rappelle qu'en parlant à Nepean sur cet affaire il me dit que Davison lui avoit dit qu'il donnoit £250 St par année à Baby pour sa portion ce qui me prouva qu'il ne faut pas trop se fier à ces Messrs. Diné chés moy—passé la soirée au clob.

Mardy 29.

Fait quelques visittes en blanc dans la matinée, diné chés Lady Holderness & passé la soirée au clob.

Mercredy 30.

Je fus le matin chés le Constructeur de Batteaux M. Wood, & je vis celui qu'il fait pour moy, qui me parut fort bien construit, mais je crains qu'il ne soit trop pesant pour transporter sur un Chariot. Je convins de faire venir le Charon chés moy pour voir quel espèce de chariot on pouroit construire pour le transporter par terre sans risquer qu'il ne se gatte. Passé chés le Prince de Galles qui n'est pas mieux. Dinné chés le Duc de Nortumberland ou il y avoit le conte d'Arrington, [Harrington (Stanhope) ?] Lord Howard, Lord Amherst le Chevalier York, Bond, Fosset le Col : Goldsworthy & Simpcoc, avec le G^d Johnstone, retiré à 9 heure pour passer au Clob Revenu chés moy à 10½

Jendy, le 31.

J'allay avec le Capt Freeman pour acheter des billets pour la représentation de Westminster mais qu'il ne fut pas onze heure du matin nous ne pûmes plus en avoir celui qui les distribue nous dit qu'il en avoit vendu 2500 pour ce jour là, et qu'il ne lui en restoit plus & qu'ils en auroient pu distribuer 4000. Je fus de là voir la collection d'antiques de Mr dont je fus enchanté. Je vis ensuite des Tableaux fait à l'eguille qui sont fort bien travaillé passé chés le Prince de Galles qui se trouve mieux, revenu chés moy à 2 heures & diné à 4½. Je fus chés le Chev^r Pollon qui me parut mieux & j'allay ensuite chés Madame Trappard ou il y avoit assés de monde. Joué et gagné un robur—demy guinée—revenu à 11½ heure.

Vendredy, 1^e juin.

Le matin à St. Mary Axe, de la chés Tessier & ensuite chés Corre a qui j'ay donné un bill de £100 st. sur mes Banquiers à conte des depenses par le proces de G. Hay. Je passay chés le Carrossier qui me promet d'être chés moy Mercrely prochain pour rencontrer le constructeur de Batteaux & imaginer une voiture propre à transporter un Batteaux en Suisse.

Le G^d Maclean dinna chés moy & nous fumes ensuite chés M. L'advocat Erskine ou nous en trouvames un autre avec M. Grant & M. Corre pour consulter sur mes affaires, après un quart d'heure de conversation ou il n'y avoit pas un mot de bon sens ils s'en allèrent ailleurs. Je laissay mes commissions avec M. Corre & les proclamations du conte de Rochambault La Fayette &c. le conte d'Estain & d'autres papiers afin qu'il fut pret à repondre aux interrogations qu'on lui feroit en cour. Je ramensay le Chr chés lui & fis visitte à Madame & Mr McLean j'y trouvay le conte de Lusy, [Earl Dalhousie] tout se passa fort poliment & je retourmay chés moy à 8½. [Les jours de la semaine, dans les entrées qui précèdent, ne s'accordent pas avec les jours du mois de l'année 1787, pas plus que ceux des entrées qui suivent; et pourtant l'année est parfaitement marquée 1787. En outre, il y a une répétition des dernières dates du mois.]

Mardy, 27.

J'allay avec M. Corre à la Taverne de St. Alban pour y rencontrer Christie et Robertson qui eurent chaqu'un une conversation avec lui au sujet des agents. Il est

all the furs to London. By the accounts which Stuart showed them for eleven consecutive years, those who held the posts had a clear and net profit, after deducting all expenses, of £2,500 sterling a year. N.B. By the accounts shown me by King, the merchant furrier, I believe that this profit must be greater. He told me, in addition, that he had one half of the profit, and that his brother and Lees had together the other half and that they paid an annual pension of £150 a year during their lease to Mr. Baby, who had given up his share. N.B. This does not agree with what Baby wrote me, saying they were only to give £50 a year.

It reminds me that in speaking to Nepean on this business, he said that Davison had told him that he was giving £250 sterling a year to Baby for his share, which proves that these gentlemen are not to be too far trusted. Dined at home, spent the evening at the Club.

29. *Tuesday.* Paid a few visits in the morning. Dined with Lady Holderness and spent the evening at the Club.

30. *Wednesday.* Went in the morning to Mr. Wood, the boat builder, and saw one he is making for me, which seems well built, but I am afraid it may be too heavy to transport in a waggon. I arranged to send the cartwright to my house, to see what kind of waggon could be built to transport it by land without risk of injury. Spent the evening with the Prince of Wales who is no better. Dined with the Duke of Northumberland, where were the Earl of Arrington [Harrington? (Stanhope),] Lord Howard, Lord Amherst, Sir Joseph York, Bond, Fawcett, Colonels Goldsworthy and Simcoe, with General Johnstone. Left at nine to call at the Club. Home at half past ten.

31. *Thursday.* Went with Captain Freeman to purchase tickets for the representation at Westminster, but although it was not eleven in the morning we could get none. The man distributing them told us he had sold 2,500 for that day, that he had none left, and that there would be 4,000 distributed. Then went to see Mr. [Townley's?] collection of antiquities, with which I was delighted. I then saw some pictures in needlework which are very well done. Called on the Prince of Wales, who is better. Home at two and dined at half past four. Went to Mr. Pollon's who seemed better, and then to Mrs. Trappard's, where were enough of people. Played and won a rubber—half a guinea—Home at half past 11.

June.

1. *June. Friday* In the morning at St. Mary Axe with Tessier and then at Coore's, to whom I gave a cheque for £100 on my bankers on account of the expenses for the suit of Charles Hay. I called on the waggon maker, who promised to be at my house on Wednesday next to meet the boat builder to devise a carriage suitable for transporting a boat in Switzerland.

General McLean dined with me and we then went to Mr. Erskine, the advocate, where we found another with Mr. Grant and Mr. Coore to consult on my affairs. After quarter of an hour's conversation, in which there was not a word of good sense, they went elsewhere. I left my commission with Mr. Coore and the proclamations of the Count de Rochambeau, LaFayette, &c., the Count d'Estaing and other papers, in order that he might be ready to answer the questions put to him in court. I took the Chevalier [?] to his own house, and paid a visit to Mr. and Mrs. McLean. I found there the Count de Lusy [Earl of Dalhousie?]. Everything passed politely and I returned home at half past eight.

(The days of the week in the above entries do not agree with the days of the month of the year 1787 nor do those apparently of the following entries but the year is plainly given as 1787.)

27. *May. Tuesday.* Went with Mr. Coore to St. Al ban's tavern to meet Christie and Robertson, who had each a conversation with him on the subject of the agents.

d'avis qu'il faut leurs intenter un procès directement sans qu'il soit nécessaire d'y faire intervenir Lord Amherst, et il me paroît qu'il a raison. Il y avoit dans une autre chambre un Comité pour fournir une placet au ministre concernant les Terres que quelques uns des sujets du Roy possèdent en Amérique, Il étoit composé de l'archeveque de Londres, Lord Amherst, le G^l Robertson, Christie, Reed, James de Lancy, un M. Galloway, Gambell, du Col. Jessop, et quelques autres personnes. On voulut absolument que mon nom fut inséré dans le mémoire.

Dinné au Clob qui étoit nombre et où tout se passa en fort bon ordre [la dépense] me fut que 15 sh. ce que je n'avais jamais vu auparavant, revenu chés moy examiné les paperasses.

Mercredy 28.

Je reçus une lettre de M. George Harding concernant les appels qui pourroient venir de Quebec, & je pris cette occasion de le retenir pour moi au cas qu'il fut nécessaire (& après avoir consulté M. Corre).

Davison qui me fit visite me dit qu'il s'aperçoit qu'on étoit pas fort content de Lord D. Dinné & passé la soirée chés moy.

Jedy 29.

Promené à cheval & fait quelques visites chés Budé, le Baron Alvensleben ou je trouva Pauly & Rainsfort, diné et passé la soirée chés moy.

Vendredy 30.

Passé la soirée chés moy.

Samedy 31.

Promené au Parok avec Lord Amherst à qui je dis que Madame Prevost s'impatientoit de voir que l'affaire que son Mary avoit avec les agents au sujet de l'Habille-ment ne finissoit point. Il ne me répondit rien et entama immédiatement un autre discours. Il y a quelque chose dans sa conduite avec les agents qui me paroît inconcevable.

Christi & le Col. Kemble furent chés moy au sujet des contes du 2^e Batt. Ils doivent s'assembler Lundy chés les agents & je dois faire en sorte que le Cap. Shaw s'y trouve.

J'ay pris congé de Madame Dunn, ou j'ai trouvé le jeune Lanaudière. Il me dit que son frère ainé étoit encore à Paris quo qu'il eut promis de passer avec Dunn en Canada. M. Dunn m'apporta la copie de la réponse qu'il avoit faite aux remarques des contrôleurs des Contes, & me dit que si on faisait quelques autres questions le Cap. Twiss pourroit les éclaircir.

L'admiral Barrington, Pringle, le Baron, Badé & Cullen dinèrent chés moy, passé la soirée chés moy.

Dimanche, le 1^o juin 87.

J'ay reçu une lettre fort polie de M. George Harding, qui accepte mon General Retainer & me dit qu'il faut que ça se fasse par le moyen de mon Procureur. J'ay écrit un billet à Mad. Corre en conséquence. Il m'en coûtera 5½ guinées.

Lundy :°

Le Lt Colonel Cambel & le Cap^t Show [Shaw] ont passé chés moy pour me dire qu'ils ont été chés les agents avec le Col. Christie pour examiner les prétentions envers le feu General Prevost, & nous sommes convenus qu'il convenoit de les remettre à la décision de quelques arbitres. J'ay peu m'apercevoir que le General Komble ni Show ne sont pas au fet de la chose, & que Ogilvie & Christie s'entendent parfaitement & que Prevost sera la dupe.

J'ay fait quelques visites. Lord Amherst est venu chés moy, & j'ay pris occasion de lui parler au sujet des prétentions de Prevost pour l'habillem^t qui a été perdu. Je lui ai dit tout uniment que cette affaire paroissoit injuste à toutes les personnes qui en entendoient parler que les agents se conduisoient fort mal & ne méritoient pas sa protection, que si l'affaire me regardoit je demanderois de changer d'agent, que les instructions du roy étoient que nous jouissions de tous les revenus du Batt. & que les agents devoient nous traiter comme les agents de tout autre Regim^t qu'ils n'en agissoient pas dans le cas comme d'honetes gens. Il me parut surpris & me dit qu'ils avoient tort. Je lui répondis que je le voyois pas d'autre moyen de finir la

He is of opinion that a suit should be entered directly without the necessity of making Lord Amherst intervene, and it seems to me that he is right. There was in another room a committee to prepare a petition concerning lands in America belonging to the King's subjects. ~~It was composed~~ of the Archbishop of London, Lord Amherst, General Robertson, Christie, Reed, James de Lancy, a Mr. Galloway, Gamble, Colonel Jessup and some other persons. There was a positive wish that my name should be inserted in the memorial.

Dined at the club, which was well attended and everything passed off well; [the cost] was only fifteen shillings, which I never saw before. Returned home and examined old papers.

28. *Wednesday.* Received a letter from Mr. George Harding concerning the appeals which might come from Quebec, and I took that opportunity of retaining him in my case, should it be necessary (and after having consulted Mr. Coore.)

Davison who paid me a visit told me that he noticed people were not very well-satisfied with Lord D. [Dorchester.] Dined and spent the evening at home.

29. *Thursday.* Rode and paid a few visits to Budé, Baron Alvensleben, where I found Pauly [Paoli] and Rainsford. Dined and spent the evening at home.

30. *Friday.* Spent the evening at home.

31. *Saturday.* Walked in the park with Lord Amherst, to whom I said that Mrs. Prevost was impatient that the business of her husband with the agents respecting the clothing was not settled. He answered nothing and began immediately on another subject. There is something inconceivable to me in his conduct with the agents.

Christie and Colonel Kemble were with me respecting the accounts of the second battalion. They are to meet on Monday at the agents and I am to arrange that Captain Shaw shall be there.

I took leave of Mrs. Dunn, and found young Lanaudière there. He said his elder brother was still in Paris, although he had promised to go with Dunn to Canada. Mr. Dunn brought me a copy of the answer he had made to the remarks of the comptrollers of accounts, and said that if they put any other question Captain Twiss could enlighten them.

Admiral Barrington, Pringle, the Baron Budé and Cullen dined with me. Spent the evening at home.

1st June 1787, *Sunday.* Received a very polite letter from Mr. George Harding accepting my general retainer and saying that this should be done through my attorney. Wrote a note to Mrs. Coore in consequence. It will cost me five guineas and a half.

2. *Monday.* Lieutenant Colonel Cambel and Captain Shaw called to tell me that they were at the agents with Colonel Christie to examine the claims against the late General Prevost and we agreed that it would be proper to submit them to the decision of arbitrators. I could see that General Cambel and Shaw are not perfectly acquainted with the matter, which Ogilvie and Christie fully understand and that Prevost will be the victim.

Paid a few visits. Lord Amherst called, and I took the opportunity of speaking to him respecting Prevost's claims for the clothing that had been lost. I told him plainly that this affair appeared unjust to all who had heard it spoken of, that the agents were behaving very badly and did not deserve his protection, that if the affair concerned me I would demand a change of agents, that the King's instructions were that we should enjoy all the revenues of the battalion and that the agents should treat us like the agents of every other regiment, that they did not act in this case like honest men. He seemed surprised and told me they were wrong. I answered that I saw no other means of ending the affair than to ask for a board of

chose que de demander un bord d'officiers généraux, que Mad. Prevost comme Tutrice ne pourroit pas sacrifier le Bien de ses enfans ; que d'ailleurs Prevost ayant été aussi mal récompensé de ses services ses héritiers avoient droit au moins de demander justice, enfin je lui parlay fort franchement. Il me paroît que mes raisons faisoient impression sur lui, nous verrons ce qu'il fera.

Diné chés l'Admiral Digby, sa femme qui étoit une Demoiselle Ellice n'est pas jolie mais est aimable & fort unie. Le Col. Drammond autrefois aide de camp du chr Clinton étoit de la partie & nous eumes une longu conversation sur les évènements de la dernière guerre. Il trouve l'ouvrage du Col. Tarleton très mal ce n'est qu'une compilation de Gazette, & il le blâme beaucoup d'avoir exposé des lettres ou billets particulier que Lord Cornwallis lui avoit écrit en confidence, &c.

Il me dit la conversation qu'il avoit eue avec le Roy au sujet de la Guerre d'Amérique lorsqu'il revint dans ce pays. Il croyoit que les habitants des derrières de la Virginia qui la plupart étoient Ecossois étoient les seuls qui lui fussent attachés. Il blamoit la conduite de la guerre me dit qu'il étoit brouillé avec Clinton mais cependant quand ils se rencontrent ils se saluoient.

Messrs Stopfort, le Cap:—

Mr Leg & deux autres Marins étoient du diner.

J'allay de la au concert du Baron qui étoit fort nombre. L'Evêque d'Oxford me presenta à Madame & Lady Thompson me demanda depuis quant j'étois dans ce Pays. Il faut que je lui fasse visite.

Le jeune D'Airolles me paroît bien étourdie. revenu à 10 h. $\frac{1}{2}$.

Mardy 3,

Le Cap^t Shaw a diné chés moy & me dit qu'il avoit parlé au G^l Robertson concernant les Contes de Prevost avec Christie, et qu'il se proposoit de lui en donner un détail par écrit. C'est un parleur éternel. Il me fit plusieurs détails sur la conduite que le Chevalier Archibald Cambell auroit tenue vis à vis de Prevost dans l'expédition de la Georgie, qui font peu d'honneur à Cambell—mais ayant plus d'amis et d'activité que Prevost il s'est fait passer pour un grand homme & Prevost a été oublié.

Cambell a mal debutté en arrivant aux Indes. Il a employé une dizaine de ses compatriotes d'abord en arrivant contre les résolutions de la Compagnie & les ordres qu'il avoit reçus. C'est un officier qui a des Talents mais encore plus d'orgueil & de presumption. Passé la soirée chés Madame Morisson avec le Baron Alvensleben.

Le pauvre General Gage mourut hier après avoir languy longtems. Le chev. Wuilliam Green ne me paroît pas content d'être en chef dans le Génie. Il auroit préféré de retourner à Gibraltar, où il avoit le double de paye qu'il a aujourd'hui. Il trouve le Duc minutieux & difficile à contenter.

Mercredy 4^e

Je fus au levée qui a été nombre. Le Roy me demanda où j'irois le Printemps je lui dis que j'irois en Suisse dans le millieu de May où de juin, (*sic*) que j'y serois peutêtre de la on Italie où j'avois été l'an 49. Il me dit que si j'allois jusques à Naples je devois prendre garde de n'en pas rapporter la Maladie. Je lui dis que l'ayant échappé dans ma jeunesse je cours peu de danger à present, &c.

Fait visite à Madame & L'admiral Digby, au G^l Traylor & Madame & Madlle Leland, & Sir Charles Thompson, & à Madame Christie où je trouvay le Col: qui me parla de son beau fils le Cap^t Piquet qui se proposa de retourner en Canada p^r s'y établir avec sa famille. J'allay le soir chés le G^l Carpenter & le G^l Robertson que je ne trouvay pas.

Mercredy, 5. [Jendi]

J'eus la visite de St James Napier, & de l'Evêque d'Oxford qui me parait fort sosiable & aimable homo. J'allay à la Cour qui ne fut pas fort nombreux. LaRene me parla longtems & avec beaucoup de bonté. Elle Loua beaucoup les deux demoiselles Suisses qu'elle avoit eu auprès des Princesses.

Je trouvay le chev. Yong qui me dit qu'il y avoit longtems que nous ne nous étions rencontrés. Il m'apprit la destination des regim^{ts} de dragons. Je lui dis que

general officers; that Mrs. Prevost as tutrix could not sacrifice the property of her children, that, besides, Prevost, being so ill rewarded for his services, his heirs had at least the right to ask for justice; in fact I spoke to him very freely. It seemed to me that my reasons made an impression on him. We will see what he will do.

Dined with Admiral Digby. His wife, who was a Miss Ellice, is not pretty but is amiable and even tempered. Colonel Drummond, formerly aide-de-camp to Sir Henry Clinton, was of the party and we had a long conversation on the events of the last war. He thought Colonel Tarleton's work very ill-written; it is only a newspaper compilation, and he blames him very much for publishing private letters and notes which Lord Cornwallis wrote him in confidence, &c.

He told me the conversation he had with the King respecting the American war, when he returned to this country. He believed that the inhabitants of the back settlements of Virginia, who were mostly Scotchmen, were the only ones attached to him. He blamed the conduct of the war, told me he was at variance with Clinton but that they always bowed to each other when they met.

Messrs. Stopford, Captain Mr. Legg, and two other naval men were of the party.

From there I went to the Baron's concert, which was very full. The Bishop of Oxford presented me to Mrs. , and Lady Thompson asked me how long I had been in this country. I must pay her a visit.

Young Dayrolles seemed very awkward. Home at half past ten.

3. *Tuesday.* Captain Shaw dined with me and told me that he had spoken to General Robertson about Prevost's accounts with Christie, and proposed to him to give a written detail of them. He is an eternal talker. He gave me several details of the conduct of Sir Archibald Campbell towards Prevost in the expedition to Georgia, which did Campbell little honour, but that having more friends and activity than Prevost, he passed for a great man and Prevost has been forgotten.

Campbell has made a bad beginning on his arrival in India. He employed half a score of his countrymen on his first arrival, against the resolutions of the company and the orders he had received. He is an officer of talent, but with even more pride and presumption. Spent the evening at Mrs. Morrison's with the Baron Alvensleben.

Poor General Gage died yesterday after having lingered for a long time. Sir William Green does not appear satisfied to be at the head of the engineers. He would have preferred to return to Gibraltar, where he had double the pay he has now. He finds the Duke [of Richmond] particular in trifles and difficult to satisfy.

4. *Wednesday.* Was at the levée, which was numerously attended; the King asked me where I was going in spring. I told him that I would go to Switzerland by the middle of May or June (*sic*); that I might perhaps go to Italy where I had been in '49. He told me that should I go to Naples I must take care not to bring back the plague. I told him that having escaped in my youth, I ran little risk now, &c.

Visited Mrs. and Admiral Digby, General Tryon and Mrs. and Miss Leland, Sir Charles Thompson and Mrs. Christie, where I found Colonel who spoke to me of his son-in-law, Captain Piquet, who proposed to return to Canada to settle there with his family. Went in the evening to General Carpenter's and General Robertson's, whom I did not find in.

5. *Wednesday*] [*Thursday*]. Had a visit from Sir James Napier, and the Bishop of Oxford, who seems a very sociable and amiable man. Went to the court, which was not very well attended. The Queen spoke to me for a long time and with much kindness. She spoke in high terms of the two Swiss young ladies, whom she had had with the Princesses.

I found Sir George Yonge, who said it had been a long time since we had met. He informed me of the destination of the regiments of dragoons. I told him

le vieux genl Robertson s'était toujours flatté de recevoir quelque chose seroit bien faché. Il ne me parut pas y faire beaucoup d'attention.

Lady Holderness me invita pour aller donner chés elle Lundy prochain. Je me suis longtemps entretenu avec plusieurs Personnes parriculierem^t avec M^e Tryon qui me parla de la maladie de son frère le Genl qu'elle ne croit pas dangereuse. Elle me fit ensuite l'histoire des amours du Genl Robertson qu'elle blâme et trouve que Madame avoit de justes raisons de trouver sa conduite fort extraordinaire de voir qu'il suivait M^{me} partout comme un jeune homme & passoit des heures entières sous sa fenêtre pour avoir le plaisir de la voir.

Le G^r Christie est party aujourd'huy. Il y avoit Madame de Hall qui estoit une Demoiselle Hollandaise, alliée à la famille de Vanderduin, mais qui ne vit pas avec son mary, qui lui aloue 8 ou 900 pièces par année avec lesquelles elle vit fort à son aise. Elle n'est plus jeune ny jolie mais elle est aimable, & a eu le bonheur d'être fort bien introduitte icy, je suppose par Lady Holderness & Sir Joseph York.

Mardy 10.

Le L^r DéChambau du 44 arriva de Quebec & m'apporta des lettres datées du 14 février du Col. Hoppe, Maban & Mathews, qui me donnent une idée de la confusion qui règne en Canada. Il paroît que Hopp s'est très bien conduit peutêtre par l'influence que Maban a obtenu sur lui le chef de justice s'est demasqué comme un sot, & L^r Dr observe un silence si profond que les meilleurs amis du gouvernement ne savent qu'en penser & que sachant qu'il avoit demandé Smith pour son chef de justice croyent que tout ce que celui-cy fait est par ordre du gouvernement. Cependant tous les Canadiens voyant l'acte de Quebec en danger se sont réunis à M. Hope, & aux vrais amis du Gouvernem^t ce qui a amporté la balance. Le Col. Clows, le D. Browne & Déchambault ont diré chés moy, celui-cy nous a fait un récit assés naturel de tout ce qui s'estoit passé en Canada & surtout du silence obstiné de L^r Dorchester, & le Col. Clows m'a lut une partie d'une lettre de M^r Lingen [Langan] le secrétaire de Sir John Johnson qui lui donne beaucoup d'éloge sur la conduite qu'il a tenu dans le comitte & le conseil legislatif ou il estoit dans l'opposition, c'est à dire pour rappeler l'acte de Quebec.

Il y a un certain Hogdon [Ogden] homme de Loyx cy devant du Gersé, grand rebelle et fort amy de Smith qui lui a obtenu de l'employ en Canada. Il s'est très mal conduit depuis son arrivée dans ce pays là et s'est déclaré le champion du juge Smith. J'espère p^r le bien de cette Province qu'ils n'y resteront pas longtemps. Finlay, Greene, Holland, Caldwell, Collins & Smith estoient dans l'opposition.

Mercredy 11.

Je rencontray Lord Sydney qui descendoit de son office. Je lui fis part des Lettres que j'avois reçu de Quebec. Il me dit qu'il n'avoit jamais eu bonne opinion de Smith mais que L^r Dorchester l'avoit demandé & s'estoit rendu responsable p^r sa conduite. Il me dit de plus que tout le monde excepté Mazères et une personne qui n'estoit plus dans le pays parloient fort bien de Maben, que L^r Dorchester quoy qu'il n'en parlasse pas avec autant d'éloge que moy en disant du bien quoy qu'il se lui croyé pas beaucoup de savoir.

Je rencontray Lord Harrington dans le Parc avec lequel je me promenay longtemps. Il me demanda si je voulois me reposer un moment chés lui, je l'accompagnay, il me présenta à Mi Lady avec laquelle je causay une demi-heure. En me retirant my Lord me demanda si je n'étois pas engagé de dîner chés lui & de revenir à cinq heure. Je m'excusay. J'ay été bien aise de faire sa conoissance. Déchambault et les Davissons ont diré chés moy. Davisson l'ainé me parut un peu sérieux, sans doute à cause de son commerce.

Jedy 12.

J'allay déjeuner chés Lord Sydney où je trouvay son fils. Je leurs fit lire la Lettre du General Hope. My Lord me dit qu'il n'avoit jamais eu bonne opinion du chef de justice mais que je pourois être persuadé qu'il ne pouvoit faire aucun tort à Hope, qu'il ne conoissoit personne de qui le Roy eût meilleure opinion. Je lui dis combien il estoit heureux qu'il commandat la Province. Il en convint & peu après il entama d'autres discours surtout sur le Prince Ferdinand le Duc regnant d'aujourd'

that old General Robertson was always flattering himself with receiving something and would be annoyed. He did not seem to pay much attention.

Lady Holderness invited me to dine with her on Monday next. I entertained myself for a long time with several persons, with Mrs. T. von, who spoke to me about the illness of her brother, the General, which she did not believe to be dangerous. She then gave me the history of General Robertson's love affairs, whom she blames, and thinks that his wife had just reason to consider his conduct extraordinary, seeing that he followed Miss _____ everywhere like a young man, and spent whole hours under her window to have the pleasure of seeing her.

General Christie set out to-day. There was a Mrs. Hall, who was a young Dutch lady, connected with the Vanderduin family, but does not live with her husband, who allows her £500 or £900 (*pièces*) a year, on which she lives comfortably. She is no longer young or pretty, but is amiable, and has had the good fortune to be well introduced here, I suppose by Lady Holderness and Sir Joseph York.

10. *Tuesday.* Lieutenant De Chambau (Deschambault) of the 44th, arrived from Quebec and brought me letters dated the 14th February, from Colonel Hope, Mabane and Mathews, which give me an idea of the confusion reigning in Canada. It appears that Hope is behaving well, perhaps from the influence Mabane has obtained over him; the Chief Justice is unmasked as a fool, and Lord Dr. [Dorchester] observes a silence so profound that the best friends of Government do not know what to think and that knowing he had asked for Smith as his Chief Justice believe that all the latter does is by order of Government. However, all the Canadians seeing the Quebec Act in danger, have united on Mr. Hope and the true friends of Government, which has restored the balance. Colonel Clewes, Dr. Brown and Deschambault dined with me; the latter gave a natural enough recital of all that had passed in Canada, and especially of the obstinate silence of Lord Dorchester. Colonel Clewes read me a part of a letter from Mr. Lingen [Langan?], Sir John Johnson's secretary, which gave him great praise for his conduct in the committee and the Legislative Council, where he was in opposition, that is for the repeal of the Quebec Act.

There is a certain Hogdon [Ogden?], a lawyer, formerly of Jersey (New Jersey), a great rebel and very much the friend of Smith, who has obtained for him an office in Canada. He has behaved badly since his arrival in that country and has declared himself Judge Smith's champion. I hope for the good of that province they will not remain there long. Finlay, Green, Holland, Caldwell, Collins and Smith were in opposition.

11. *Wednesday.* Met Lord Sydney who was coming from his office. I acquainted him with the contents of the letters I had received from Quebec. He said he had never a good opinion of Smith, but that Lord Dorchester had asked for him and had made himself responsible for his conduct. He told me further, that every one, except Maseres and a person who was no longer in the country, spoke well of Mabane; that Lord Dorchester, although he did not speak so highly of him as I, spoke well of him, although he did not believe him to know much.

I met Lord Harrington in the park, with whom I walked for a long time. He asked me to come in to rest in his house. I accompanied him, and he introduced me to Her Ladyship, with whom I chatted for half an hour. In leaving His Lordship asked me if I were not engaged, to return at five o'clock and dine with him. I excused myself. I am happy to have made his acquaintance. Deschambault and the Davisons dined with me. The elder Davison seemed a little serious, no doubt on account of his business.

12. *Thursday.* Went to breakfast with Lord Sydney, with whom I found his son. I made them read General Hope's letter. His Lordship told me that he had never had a good opinion of the Chief Justice, but that I might be persuaded he could do Hope no harm; that he knew no one of whom the King had a better opinion. I said how fortunate it was that he commanded the province. He agreed and shortly after began on other topics, especially on Prince Ferdinand, the present reigning

d'huy, Lord George Germain & je compris qu'il tenoit la plupart de ses Idées à l'égard du Prince Ferdinand de general Boid qui avoit été son aide-de-camp.

J'écrivis au G^l Hope & remis ma lettre chés Davisson qui devoit la mettre sous son couvert. **Donné à M. Emery. 2 guinées pour la société des Suisses & une guinée p^r les pauvres.**

Vendredi 13e.

Jour de la Bataille de Mohitz [Molwitz] l'an 1741. Fait visite au Baron Alvensleben qui m'a dit plusieurs anecdotes du vieux règne. Visité l'Eveque d'Oxford qui est fort content de l'esprit des journaux & des papiers que je lui ay prêtés. Dinné & passé la soirée chés moy.

Samedi 14e.

Rencontré Lord Amherst au Parck. Il croit que Lord Roden tache de Gagner le Duc de Nortom & que celui-cy l'évitte & il croit que le Roi a été fâché que le Duc de York n'ye fait l'acquiescence dans le Yorkshire, & il suppose que le Roi ne souhaite pas que le Duc de York vient en Angleterre, craint qu'il ne se débauche. Il me dit que le Chevallier York étoit fort fâché qu'on lui eut donné un Regiment sur l'establissemet d'Irlande, qu'il auroit préféré de garder le 5e Dragon qui portoit le vieux uniforme au lieu qu'aujourd'huy il faudroit qu'avec l'uniforme bleu qu'on avoit adopté, il montrât le col. Le Duc de Northumberland dit sur ce sujet qu'il ne paroitroit pas mieux avec un bonnet de Grenadier. Chés moy où j'ay passé la soirée.

Dimanche 15e.

Dechambault, le G^l McLean le D. Barr dînerent chés moy. Dechambault nous amusât beaucoup par le récit de ce qui s'étoit passé à Québec. Il me dit que Cockran & le Docteur Kenedy l'avoient accosté et s'étoient beaucoup informé si Maban existoit encore. Ils sont toujours aussi invétérés contre lui.

Lundy 15e

Je menay Dechambault chés Mad. Wone à Chelsea que nous ne trouvâmes pas non plus que le G^l Robertson mais nous trouvâmes le G^l Rainsfort qui le reçut fort bien et lui promit qu'il seroit le premier à acheter dans son Regim^t.

Je rencontrais Lord Amerst au Parc et peu après le chev^r York qui me parut un peu haut.

Diné et passé la soirée chés moy.

Mardy 17e

Je fus à la citté. M. Corre me dit que mon procès se jugerait avant la fin du mois, et qu'il avoit bonne espérance.

Reçu une lettre de mon neveux datée du 4 de Juin.

Diné au Clob Sr Edmund Afflick président. Nous étions 24 et tous de bon humeur resté jusques à 10 heure.

Mercredi 18.

Je fus au Levé avec Dechambault, nous dînâmes chés Lord Sydney avec Lord & Lady Chattan & le cap : d'Overgne. Les dames me parurent de fort bon humeur.

Jeudy, 19.

Je conduisit Dechambault à la Cour qui fut fort nombreuse & dura jusq'à près de 5 heures, dîné chés moy avec Dechambault qui m'a dit qu'il avoit écrit une longue lettre à sa mère qui lui ferait beaucoup de plaisir. Il s'en fut à la comédie.

Vendredi, 20.

J'allay à la Trésorerie où M. Rose me demanda si M. Grant avoit reçu le salaire du chev^r Mills. Ne pouvant pas m'en rapeller il me fit voir la copie d'une lettre que j'avois écrite à David Grant sur ce sujet, où je lui disais que je ne voulois pas signer un warrant p^r cette paye &c. Je fus ensuite chés M. Winglesworth qui me fit voir la conte par laquelle il avoit été payé jusq'à au 24 Octobre 1783, & je le priay d'en donner un certificat au des de la lettre, ce qu'il fit de bonne grâce. Je le portay sur le chan à M. Rose qui parut fort surpris & me demanda plusieurs fois s'il avoit été payé dès lors. Je lui dis que je ne pourray pas le savoir puisque j'avois quitté le Canada peu après, mais que les contes de la Province devoient avoir été envoyés dès lors, & qu'il sera facile d'y voir si on avoit payé quelque chose. Il me

Duke, Lord George Germaine, and I understood that he held most of his ideas of Prince Ferdinand from General Boyd, who had been his aide-de-camp.

Wrote to General Hope and sent my letter to Davison, who was to put it under his cover. Gave Mr. Emery two guineas for the Swiss Society and a guinea for the poor.

13. *Friday.* Day of the battle of Mohitz (Molwitz) in the year 1741. Paid a visit to the Baron Alvensleben, who gave me several anecdotes of the old reign. Visited the Bishop of Oxford, who is much pleased with the spirit of the journals and papers I lent him. Dined and spent the evening at home.

14. *Saturday.* Met Lord Amherst in the park. He believes that Lord Roden is trying to gain over the Duke of Northumberland, who avoids him and he believes that the King is annoyed that the Duke of York should have become acquainted in Yorkshire, and he supposes that the King does not wish the Duke of York to come to England for fear he should be led astray. He said that Sir Joseph York was angry he had been given a regiment on the Irish establishment, when he would have preferred to keep the 5th Dragoons, which wore the old uniform, whereas now it would be necessary with the blue uniform that had been adopted to show the neck. The Duke of Northumberland on this subject said that it would look better with the Grenadier's bonnet. At home, where I spent the evening.

15. *Sunday.* Deschambault, General McLean and Dr. Barr dined with me. Deschambault amused us a good deal with an account of what was taking place in Quebec. He said that Cochrane and Dr. Kennedy had accosted him and had made particular enquiries if Mabane still existed. They are as inveterate as ever against him.

15 [16]. *Monday.* Took Deschambault to Mrs. Wone's (?) at Chelsea, whom we did not find in, nor General Robertson, but we found General Rainsforth, who received him very well and promised he would be the first to purchase in his regiment.

Met Lord Amherst in the park and shortly after Sir Joseph York, who seemed rather stiff.

Dined and spent the evening at home.

17. *Tuesday.* Went to the city. Mr. Coore told me that my suit would be decided before the end of the month and that he had good hopes.

Received a letter from my nephew, dated the 4th, from Turin.

Dined at the club, Sir Edmund Afleck presiding. We were 24 and all in good humour; remained till 10 o'clock.

18. *Wednesday.* Went to the levée with Deschambault. We dined at Lord Sydney's, with Lord and Lady Chatham, and Captain d'Overgne [d'Auvergne]. The ladies seemed to be in very good humour.

19. *Thursday.* Took Deschambault to the court which was very full and lasted till nearly five o'clock. Dined at home with Deschambault, who told me he had written a long letter to his mother, which would give her much pleasure. He went off to the play.

20. *Friday.* Went to the Treasury, where Mr. Rose asked if Mr. Grant had received Sir Thomas Mills' salary. Not being able to remember, he showed me the copy of a letter I had written to David Grant on this subject, in which I told him I would not sign a letter for this pay, &c. I then went to Mr. Wigglesworth, who showed me the account, by which it had been paid to the 24th of October, 1783, and I asked him to give a certificate of this on the back of the letter, which he did with a good grace. I immediately carried it to Mr. Rose, who seemed much surprised and asked me several times if he had been paid from that time. I told him that I had no knowledge of that, since I had left Canada shortly after that, but that the accounts of the Province ought to have been sent from that time and it would be easy to see in these

dit & me répéta plusieurs fois qu'on ne pouvoit pas trouver ces contes dans aucun endroit n'y aucun de ceux que j'avois envoyé pendant mon séjour en Canada, ce qui me surprit beaucoup & me fit voir combien on devoit être soigneux des Papiers lorsqu'on est employé par le public. Mais j'appris que c'est une méthode qu'ils ont à la Trésorerie afin de s'éviter la peine de chercher et examiner les, & il faut être fort soigneux de ne point leur en donner, sans prendre de reçus parce qu'il est comme certain qu'il ne les rendront jamais.

M. Rose amy de Grant & Mills paroisse souhaitter de payer à ce dernier tout le salaire de son employ, pendant son absence, ceuy me fit faire beaucoup de réflexion sur la conduite de ces Messr

Je disois à Winglesworth que les vouchers p la paye de Hutcheson étoient en partie une gratification que je lui faisois pour l'exactitude que l'exigeois de lui &c. Il me dit que je devois le dire lorsqu'on demanda des éclaircissements sur les contes. Il se plaignit que Bally Bayard étoit si pressant qu'il devenoit incommodent.

Diré chés M. Rose avec Lord Amherst, G^l Bractley, Robertson, le Col. Kemball [Kemble] & le Col^s Robertson & Ogilvy, revenu chés moy.

Madame Fairchild me parla sur la conduite de mes Domestiques, &c.

Samedy, 21.

Je fus au Hyde Parck voir exercer la Cavallerie qui fit fort bien. Lord Amherst commandoit & le Duc de Northumberland étoit toujours à sa gauche, &c. &c.

Le General Koningham & le Major Gunn ont diné chés moy. Le Cape F. toujours positif & passé la soirée chés moy.

Dimanche, 22.

Le Chevalier Mills vint chés moy et je lui fis voir la lettre que j'écrivis à Wuilliam Grant son député lorsque je le suspendi de son office & celle que j'écrivis à son neveux David Grant qui vouloit recevoir le salaire de son oncle, après son départ je lui dis que je voulois une copie de sa lettre à M. Rose. Il me pria beaucoup de lui montrer la lettre que je voulois lui écrire avant que de l'envoyer & que si je voulois je la lui remettrai moy même. Il souhaittoit d'être présent. Il prevaricait beaucoup sur les contes qui avoient été envoyés du Canada à la fin. Il me dit que Caldwell avoit tiré la moitié des appointements depuis mon départ, c'est à dire £250 par année, enfin j'ay [vu] qu'il est dans quelque difficulté & qu'il souhaite de pouvoir tirer quelque argent de la Trésorerie. En cherchant quelques éclaircissements parmy mes papiers sur cette affaire j'en ay trouvé plusieurs qui peuvent être utile au cas qu'on veuilla reche cher les affaires des Grant & surtout les duplicate de mes derniers dépêches à la Trésorerie & aux Ministres avec les Incluses sur cette affaire.

Fait quelques visittes en blanc. Le General Robertson & Maclean ont diné chés moy avec Davisson, Dechambault et le Col. Clowa, qui se sont retirés à 8½ heures, resté chés moy.

Lundy 23.

Promené à pied & fait quelques visittes. Dechambault à diné chés moy ou j'ay passé la soirée.

Mardy, 24.

Fait visitte à M. & Mad. Carpenter, M. le G^l Fosset & l'evêque d'Oxford. Diné chés le Baron Alvensleben avec le Chevalier George Raullay, sa femme & ses deux filles, M. & M^d
deux autres dames, Lord
& Lad le Capt Pauly & Gantell, passa la
soirée, et revenu à 10 heures du soir.

Le Chevalier Mills vint déjeuner chés moy. Je lui fit voir le billet que j'écrivis à M. Rose en lui envoyant les copies des Lettres que j'écrivis à M. Grant lorsque je le suspendi, avec celle que j'écrivis à David Grant son neveux en Nov^r 84 peu de jours avant mon départ de Québec. Mills vouloit fort remettre les lettres lui-même, mais je lui dis que j'avois à parler à M. Rose sur d'autres choses. Il me pria fort de ne lui rien dire d'autre que de ce qu'il y avoit dans mon billet. Il m'assuroit en même temps et positivement que Grant n'avoit jamais reçu son salaire. Je fus

if anything had been paid. He told me, and repeated it several times, that these accounts could nowhere be found, nor any of those which I had sent during my stay in Canada, which surprised me greatly and showed me how careful we ought to be when employed by the public, but I learned that it is a method they have at the Treasury to get rid of the trouble of seeking and examining them and great care must be taken not to give them without taking a receipt, since it is almost certain they will never turn up.

Mr. Rose, a friend of Grant and Mills, appears desirous to pay the latter the whole salary of his office, during his absence, which produced in me much serious reflection on the conduct of these gentlemen.

I told Wigglesworth that the vouchers for Hutcheson's pay were partly for a gratuity which I made him for the exactitude I required from him, &c. He said I should say so when information is asked respecting the accounts. He complained that Billy Bayard was so pressing that he became a bore.

Dined at Mr. Ross's with Lord Amherst, General Buckley, Robertson, Colonel Kemble and Colonels Robertson and Ogilvy. Returned home.

Mrs. Fairchild spoke to me respecting the conduct of my servants, &c.

21. *Saturday.* Went to Hyde Park to see the cavalry drilled, which was very good. Lord Amherst commanded, and the Duke of Northumberland was always at his left, &c., &c.

General Cunningham and Major Gunn dined with me. Captain F. always positive; spent the evening at home.

22. *Sunday.* Sir Thomas Mills called and I showed him the letter I had written to William Grant, his deputy, when I suspended him from his office, and that which I wrote to his nephew, David Grant, who wished to receive his uncle's salary, after he had left. I told him that I wanted a copy of his letter to Mr. Rose. He begged me earnestly to show him the letter I wished to write him, before sending it, and that if I wished I could hand it to him myself; he desired to be present. He prevaricated a good deal about the accounts which had been sent from Canada at the end. He said that Caldwell had drawn half of the allowances since I left, that is £250 a year; at last I saw he was in some difficulty and that he was anxious to draw for money on the Treasury. In searching for some information on this affair among my papers, I found several documents that may be useful in case an investigation is desired into Grant's affairs, and especially duplicates from last dispatches to the Treasury and to the Ministers, with the enclosures on this business.

Paid a few visits. Generals Robertson and McLean dined with me, together with Davison, Deschambault and Colonel Clewes. They left at half past eight. Stayed at home.

23. *Monday.* Took a walk and paid a few visits. Deschambault dined with me; spent the evening at home.

24. *Tuesday.* Visited Mr. and Mrs. Carpenter, General Fawcett and the Bishop of Oxford. Dined at Baron Alvensleben's with Sir George Raulay (?), his wife and two daughters, Mr. and Mrs. , two other ladies, Lord and Lord , Captain , Pao'i and Gantell (?). Spent the evening and home at ten.

Sir Thomas Mills came to breakfast. I showed him the note I wrote to Mr. Rose, in sending copies of the letters I wrote to Mr. Grant when I suspended him, with that which I wrote to David Grant, his nephew, in November, '84, a few days before I left Quebec. Mills wished very much to carry the letters himself, but I told him that I had to speak to Rose upon other matters. He urgently begged me to say nothing beyond what was in my note. He assured me at the same time and positively that Grant had never received his salary. I was surprised in the greatest degree at seeing that, notwithstanding what Wigglesworth had told me, he main-

surpris au dernier point de voir que malgré ce que Winglesworth m'avoit dit il soutenoit qu'il ne l'avoit pas reçu, sur ce que je m'échauffoy un peu en lui disant que si Grant lui soutenoit ça il se trompoit et que comme c'étoit moy meme qui avoit signé les warrants c'étoit à moy à le prouver. Il me pria beaucoup de ne pas le faire, qu'il ne felloit pas perdre Grant tout-à-fait, que Rose étoit son amy, & qu'il lui avoit dit lui-même à son arrivée qu'il n'étoit point nécessaire qu'il prit Caldwell pour son député, & qu'il pouvoit continuer Grant, s'il le vouloit. Sur ce que je lui dis que Grant devoit beaucoup au Gouvernement. Il me dit qu'il avoit donné des suretés suffisantes à Lord Dorchester pour tout ce qu'il pouvoit devoir, que Lord Dorchester en étoit satisfait et l'avoit écrit à M. Rose qui le lui avoit dit depuis peu de jours. Je suis persuadé qu'il y a la dessus quelques mauvaises manœuvres.

Je remis moy meme la lettre à M. Rose & lui dis que M. Winglesworth pouvoit l'instruire encore plus particulièrement de tout l'argent que Grant ou Caldwell pouvoient avoir reçu comme députés de Mills. Je lui parlay ensuite de Douglas, & il me dit qu'il y avoit deux ou trois petits emplois vacant dans les Customs en Canada; qu'on pouvoit lui en donner un Je le refusay croyant que les emplois étoient à la nomination de Lord Dorchester, mais je me suis trompé. Il faudra que je lui parle de nouveau parce que si je puis obtenir quelques choses pour lui ça fera un bon effet dans la Province.

Mercredy 24.

Deschambaut a diné chez moy & est party le soir pour aller joindre son regiment. Passé la soirée chez Mad^e Williamson.

Jedy 25.

J'ay été à la cité & fait quelques visites. Reçu un billet du chevalier Pigot qui m'annonça qu'on m'avoit reçu unanimement membre du Club de Caré. Payé Helmlay le libraire 3½ guinées pour les deux volumes du portefeuille du Marechal Turenne. Marsh qui passa chez moy me dit que le G^l Koningham avoit obtenu le 45^e regiment que tout le monde en étoit surpris puisqu'Abercrombie avoit fait publiquement tout ce qu'il avoit pu pour le perdre de réputation. J'ay payé le comte du charpentier Aitkins. Ça montoit à £49.11.8½. Adair diné chez moy passé la soirée chez Mad^e: Robertson ou il y avoit beaucoup trop de monde perdu 2 Robers.

Vendredy 26.

Visité le Baron Alvensleben qui me dit qu'il s'étoit formé une association à la Haye qui avait déjà été signée par plus de 2000 personnes, parmi lesquels il y avoit plusieurs officiers, Personnes de la première distinction, le Comte Bentinck est le premier qui aye signé, cette association s'appelle la voix du peuple, et veut qu'on retablis le Statouder dans tous ses droits. Il y a aussi beaucoup de confusion à Amsterdam et dans d'autres villes, on attend la malle avec impatience et on augure bien pour le Statouder.

Samedy 27.

Arrivé à Londres le 31 May 89, fait visite.— le 1 juin à Lord Amherst & Lady, à L^d Sydney & Lady, Sr G. Yong & Lady, Lady Holdernesse, Mrs Molesson, G^l Budé, at the War Office, at L^d Sydney's office, au Duc de Nortomberland, au Baron Alvensleben, Gen^l & Lady Fausset, Lord Hopetown, The Duc of York, L^d Dover, Sr J. York, Mrs Robertson.

Le 5 May [June]

Le duc de Gloster, Lord Courtown, Mr John York, G^l Cragg, [Craig], G. Morison, Mrs Munster, Mrs Ramsden.

Le 6^{me}.

J'ay vu Sr G. Yong.

Le 6 Juin.

Été chez le Baron Nagell, L^d Gage, Le G. Ainsley, Sr John Seebright, Le Conte Brull, Mr Doily.

Le 7.

Dinné chez L^d Sydney, passé la soirée chez Lady Amherst, chez Mr Munster.

Le 8^{me}

Ches le G. Rainsford, Mr Christie, Col. Marsh, Mr Delancy, Mr Corre.

tained that he had not received it, on which I became a little provoked, telling him that if Grant maintained that, he was mistaken and as it was myself who had signed the warrants it was for me to prove it. He begged me earnestly not to do so, that it was not necessary ~~totally to ruin Grant,~~ that Rose was his friend; that he had said himself on his arrival that it was not necessary that he should take Caldwell for his deputy, and that he might continue Grant if he wished. On this I told him that Grant was owing a large amount to Government. He said he had given sufficient security to Lord Dorchester for all he could owe, that Lord Dorchester was satisfied and had written so to Mr. Rose, who had told him of it a few days before. I am persuaded that there is some trickery going on in this matter.

I handed myself the letter to Mr. Rose, and told him that Mr. Wigglesworth could give him still further information on all the money which Grant and Caldwell had received as deputies for Mills. I then spoke to him of Douglas, and he told me that there were two or three small offices vacant in the Customs in Canada; that one of them could be given him. I refused, believing that the offices were in Lord Dorchester's nomination, but I am mistaken. I must speak again, because if I can obtain something for him it will have a good effect in the Province.

24. *Wednesday.* Deschambault dined with me and left in the evening to join his regiment. Spent the evening at Mrs. Williamson's.

25. *Thursday.* Was at the City and paid a few visits. Received a note from Sir Robert Pigot, who informed me that I had been unanimously admitted as a member of the Club Caré. Paid Helmlay the bookseller, three guineas and a half for the two volumes of Marshall Turenne's portfolio. Marsh, who called, told me that General Cunningham had obtained the 45th Regiment, that every one was surprised, as Abercromby had done publicly all he could to destroy his reputation. I paid Aitkins the carpenter's account. It amounted to £49. 11. 8½. Adair dined with me. Spent the evening at Mrs. Robertson's, where there were far too many people; lost two rubbers.

26. *Friday.* Visited the Baron Alvensleben, who told me that an association was formed at the Hague, which had been joined already by more than 2,000 persons, among whom there were several officers, persons of the highest distinction. Count Bentinok was the first who signed. This association is called "La Voix du Peuple," and is intended to re establish the Stadtholder in all his rights. There is also great confusion in Amsterdam and in other towns. The mails are expected with impatience, and people augur well for the Stadtholder.

Arrived in London on the 31st May, 1789.

Visited on the 1st June, Lord and Lady Amherst, Lord and Lady Sydney, Sir George and Lady Yonge, Lady Holderness, Mrs. Mollison, General Budé, the War Office, Lord Sydney's office, the Duke of Northumberland, Baron Alvensleben, General and Lady Fawcett, Lord Hopetown, the Duke of York, Lord Dover, Sir J. York, Mr. Robertson.

5. *May (June).* Called on the Duke of Gloucester, Lord Courtown, Mr. John York, General Cragg (Craig), General Morrison, Mrs. Munster, Mrs. Ramsden.

6. Saw Sir George Yonge. Called on the Baron Nagell, Lord Gage, General Ainsley, Sir John Sebright, Count Buell, Mr. Donly.

7. Dined with Lord Sydney. Spent the evening at Lady Amherst's and Mrs. Munster's.

8. At General Rainsford's, Mr. Christie's, Colonel Marsh's, Mr. Delancy's and Mr. Coore's.

Le 9^{me}

Le Roy fut à la maison de Pairs. Dinné à l'Américan Club.

Le 10. Mardy

Ches le Maj. Gunn, L. G. François Smyth, M. G^l Edw. Smyth, Col: Williamson, Budé.

Le 10.

Dinné ches le B. Alvensleben.

11^eLord Amberst, L^d Sydney, G. Leland, Rigau.

12

Le G. Bruce.

13

Visitté des Exhibitions.

14

fait la cour au Roy & à la Reine à Wendsor, dinné à Salt Hill avec La famille Morison et revenu en Ville avec le G^l Ainsley.

Le 15 Lundy.

a Mr Gage Portland Place, Mad. Prevost Ware St. 12, Lt G^l Bough Wimpole St. Sir J^{me} Napier Wimpole St., Sir R. Boid Queen Ann Street, Major Benson 51 Titchfield Street, Governour Maltby 14, Norton St., Mr Davisson Harpur St. n^r Red Lyon Sq.

16 Mardy

Adair dinné ches moy resté à la maison.

17.

Visitté M. le Col. Polier, Sir Wm Fordice, Le G. Ainsley, Mrs Prevost, Gen^l Grant, G. McLean, Col. Kembal, Col. Cammell, Col. Small.

17 Mercredi

Adair dinné ches moy.

18 Jedy

Je ne suis pas sorty

19 Vendredy

Visitté ches Lord Fyfe

vû l'exhibition & l'après midy a Hamsted.

20 Samedi

21 Dimanche

Fait visitte au B. Alvensleben été dinné a Wendsor y revenu le soir par la pluye.

22^e Lundy.Mr Shuter est venu ches moy avec Mr Mandrot. Ches M^d Prevost.

23 Mardy.

ches Lord Amberst

Reçu une Lettre de Mathews & de Maban sur la mort du G. Hope.

24 Mercredi

Lord Amherst & le chev. Napier avec Holland ont diné ches moy.

25 Jedy

Visitté le Maj. Blondell

Mr Davisson

à St. Mary Axe.

Le 26 Vendredy

Budé diné ches moy.

Été au club, & payé 4½ guinées pour ma souscription.

27 Samedi.

Mr Mandrot déjeuné ches moy je lui ay donné une Traitte de 600L. St. sur mes Banquiers a conte.

Juin 28—Dimanche.

fait visitte a Mrs Prevost & Lui ay remis la Lettre du Mg.

29. Lundy.

passé à l'office ches Mr Pollock.

-
9. The King was at the House of Lords. Dined at the American Club.
 10. *Tuesday* (Wednesday). Called on Major Gunn, General Francis Smith, General Edward Smith, Colonel Williamson, Budé. Dined at the Baron Alvensleben's.
 11. Called on Lord Amherst, Lord Sydney, General Leland, Rigau (Rigaud).
 12. On General Bruce.
 13. Visited exhibitions.
 14. Paid court to the King and Queen at Windsor. Dined at Salt Hill with the Morrison family, and returned to town with General Ainsley.
 15. *Monday*. Called on Mr. Gage, Portland Place, Mrs. Prevost, 12 Ware street, General Bough and Sir James Napier, Wimpole street, Sir P. Boyd, Queen Anne street, Major Benson, 51 Titchfield street, Governor Maltby, 14 Norton street, Mr. Davison, Harpur street, near Red Lion Square.
 16. *Tuesday*. Adair dined with me ; stayed at home.
 17. *Wednesday*. Called on Colonel Polier ; Sir William Fordyce, General Ainsley, Mrs. Prevost, General Grant, General McLean, Colonel Kemble, Colonel Cammel, Colonel Small. Adair dined with me.
 18. *Thursday*. Did not go out.
 19. *Friday*. Visited Lord Fyfe. Saw the exhibition, and in the afternoon went to Hampstead.
 20. *Saturday*.
 21. *Sunday*. Visited Baron Alvensleben ; dined at Windsor and returned home in the evening through the rain.
 22. *Monday*. Mr. Shuter called with Mr. Mandrot. Called on Mrs. Prevost.
 23. *Tuesday*. At Lord Amherst's. Received a letter from Mathews and one from Mabane respecting the death of General Hope.
 24. *Wednesday*. Lord Amherst, Sir James Napier and Holland dined with me.
 25. *Thursday*. Visited Major Blondell and Mr. Davison. Went to St. Mary Axe.
 26. *Friday*. Budé dined with me. Was at the Club, and paid four guineas and a half for my subscription.
 27. *Saturday*. Mr. Mandrot breakfasted with me. I gave him to account a bill on my banker for £600 sterling.
 28. *June—Sunday*. Visited Mrs. Prevost and handed her the letter from the [agent ?]
 29. *Monday*. Called at Mr. Pollock's office.

30. Mardy

fait visite à Ld Amherst aux agents pour la paye de Devos.
au Genl Roy.

Ecrit à Lord Dorchester, Mathews, Freeman, Maban Col. Harris, Louys Dechambault.

1 juillet.

Le Maj. Holland & mon neveu Devos sont party à 5½ du matin pour Fallmouth.
Devos avo t en bourse £36.18.6.

2 Jedy.

Chés Madame Prevost, Lord Amherst, le Gouverneur Moultrie, le Col. Marsh,
Mrs Rigaud.

Regu une lettre de Mon dattée de Turin le 20 juin.

Il doit partir le 2 de Genève pr se rendre icy entre le 10 & le 12.

Vu Lord Heathfield à Ternum Green [Turnham Green].

3 Vendredy.

Chés le Gl Budé

M. Mandrot avec qui je suis alla voir Mr Bourgeois.

4 Samedy.

Visité le D. de York, M. Sanders, été St. Mary Axe, chés Lady Holdernessee; fait
visite au Maj. Scott.

Le Gl Grenville, Budé, Marsh & le Maj. Gunn ont dinné ches moy.

Été au club ou j'ay rencontré Sir Robert Pigot.

5 Dimanche

Le Capt. Scott du 53 a diné chés moi resté au Logis.

Le 6 Lundy.

M. Mandrot déjeuné ches moy.

Été chés le Baron Nagell. Budé & le Colonel Campbell diné ches moy.

Été à Hamstead.

7 Mardy.

Ches Ld Amherst au sujet de l'Echange du Capt Davies, ches le Duc de York,
ches Mandrot & St. Mary Axe, diné ches le Col. Marsh. Été à la secretariat des
Guerre ou on m'a dit que le 24 Regiment s'étoit embarqué à Cork le 22 May. Ches
le Col. Marsh, Budé, Greenville & le Maj. Garth.

8 Mercredi.

Budé party.

9 Jedy.

Été voir M. Mandrot qui est party à midy.

Été ches le Col. Johnson.

Diné ches le Baren Naglé vu les dames de la maison le Baron Alvensleben en-
voyé Prussien.

Le Baron Regensfeld & Lady Holdernessee avec Mde Tryon fait deux Robers.

10 Vendredy.

M. Le Tessier est passé ches moy pr se plaindre de n'etre pas payé, par l'ordre
du Breen &c.

11 Samedy.

Été à St. Mary Axe, Madame Prevost, Sr Robert Pigot, Lady Holdernessee, M.
Corre.

12. Dimanche.

Sr R: Pigott m'est venu voir d° le B. Regensfeld, qui à diné ches moy. Été le
soir à Hamstead.

13. Lundy.

Dinné ches le Baron Alvensleben avec l'envoye de Puce, celui de Turin et de
Venise. Pauly, Gentilly, 3 Dames et 3 Messr inconnû. Mon neveux arrivé le soir.

14. Mardy.

Mon neveux est venu déjeuner avec moy. Visité Madame Datur. Le chev-
Alvensleben. Été à la citté. Le Maj: Gunn diné ches moy.

30. *Tuesday.* Visited Lord Amherst and went to the agents for Devos' pay.

Called on General Roy. Wrote to Lord Dorchester, Mathews, Freeman, Mabane, Colonel Harris, Lieutenant Deschambault.

www.libtool.com.cn
July.

1. *Wednesday.* Major Holland and my nephew, Devos, left at half past five in the morning for Falmouth. Devos had £36 18s. 6d. in his purse.

2. *Thursday.* Called on Mrs. Prevost, Lord Amherst, Governor Moultrie, Colonel Marsh, Mrs. Rigaud.

Received a letter from Mon, dated from Turin, the 20th June. He was to leave Geneva on the 2nd, to come here between the 10th and 12th.

Saw Lord Heathfield at Ternum Green [Turnham Green].

3. *Friday.* Called on General Budé and on Mr. Mandrot, with whom I went to see Mr. Bourgeois.

4. *Saturday.* Visited the Duke of York and Mr. Sanders; went to St. Mary Axe; called on Lady Holderness and on Major Scott.

General Grenville, Budé, Marsh and Major Gunn dined with me.

Was at the Club, where I met Sir Robert Pigot.

5. *Sunday.* Captain Scott, of the 53rd, dined with me; stayed at home.

6. *Monday.* Mr. Mandrot breakfasted with me. Was at Baron Nagell's. Budé and Colonel Cammell dined with me. Was at Hampstead.

7. *Tuesday.* To Lord Amherst respecting an exchange for Captain Davies. Called on the Duke of York, on Mandrot. Was at St. Mary Axe. Dined with Colonel Marsh. Was at the War Office, where I was told that the 24th Regiment had embarked at Cork on the 22nd May. At Colonel Marsh's were Budé, Grenville and Major Garth.

8. *Wednesday.* Budé has gone.

9. *Thursday.* Went to see Mr. Mandrot, who left at noon. Was at Colonel Johnson's.

Dined at Baron Nagle's. Saw the ladies of the house, Baron Alvensleben, the Prussian envoy, Baron Regenfled and Lady Holderness, with Mrs. Tryon. Played two rubbers.

10. *Friday.* M. Le Tessier called to complain of not being paid by order of the Breen (*sic*), &c.

11. *Saturday.* Was at St. Mary Axe. Called on Mrs. Prevost, Sir Robert Pigot, Lady Holderness and Mr. Coore.

12. *Sunday.* Sir Robert Pigott came to see me and Baron Regenfled, who dined with me. Went in the evening to Hampstead.

13. *Monday.* Dined at Baron Alvensleben's, with the Envoys of Prussia, Turin and Venice, Paoli, Gentilly, three ladies and three gentlemen unknown. My nephew arrived in the evening.

14. *Tuesday.* My nephew came to breakfast with me. Visited Mrs. Datour, Chevalier Alvensleben. Went to the city. Major Gunn dined with me.

15 Mercredi.

Diné chez M. Corre avec Sir John Pepperell, Mr Harding et ramené M. Sanders
chez Lui: Été au club, les nouvelles de Paris se confirment.

Été à la Cave, pris 12 Grande B^{de} Madere, 12 petites d^o 15 Port 15 Cheres 4
Cidre, 2 petit Bourgon, 2 Vieux Bourgon, 1 Vieux Port.

Reçu une lettre de Devos du 14, remise à mon neveu.

17. Vendredy.

reçu une Lettre de Maban par Daviesson du 8^e juin.

Été à St. Mary Axe.

Sir R. Pigot, G^e Smith et le Col: Marsh dinné chez moy.

18. Samedy.

resté au Logis

19. Dimanche.

Diné à Hamstead passé au club.

20. Lundy.

Diné seul. Été St. Mary Axe et au club.

21 Mardy.

Mon nev. a déjeuné chez moy. Je lui ay parlé de la caisse de famille.

fait visite à Mad. Gage au sujet du Cap^e son fils.

chez Mad^e Prevost ou j'ay trouvé le G^l Moultry, diné seul, promené et été au club.

22. Mercredi.

J'ay eu la visite de M. Rushbout et Christie, dite le M. Bourgeois.—des enfants.
rencontré Lord Sydney qui ma dit que c'étoit Lui qui avait deplacé Monck, d^t
qu'il ne savoit pas qui remplaceroit le Col. Hope. d^t qu'on a bu à la Santé du Roi à
Boston comme on auroit fait icy.

fait visite à Mad. Robertson et Mr Coore.

23. Jedy.

fait visite à Mr Rigaud et au Gen^e Moultry.

24. Vendredy.

Mon neveu qui est venu déjeuner avec moy ma remise la Lettre de M^r Bertrand
du

25 Samedy.

Diné chez le G^l Smith avec sir R^t Pigot.

S^r James Napier.

Le G^l Gunning.

Le chev. Bowater.

Le G^l de Gibraltar.

Le G^l Robinson, promené avec le G^l Smith.

26 Dimanche.

promené et rencontré M^r
de France, qui ma beaucoup entretenu sur les affaire

Baron Regensfeld, Gen^l Smith, sir J. Napier ont dinné chez moy.

passé la soirée avec le Baron chez Mad^e Nagle. revenu 11 heures.

Le 27 Lundy.

Le Baron dinné chez moy, été à Hamstead.

Le 28 Mardy.

Le Baron dinné chez moy. Faire le tour par black Fryers bridge. Au club.

29 Mercredi.

Promené. rien de neuf.

dinné à Hamstead avec M. et M^rs Sanders et sa famille.

Mad. Robertson et Mr Daviesson.

Gagné 2 Robers a M^d Robertson.

30 Jedy

Diné chez Sir James Napier avec le G^l Smith et le Baron.

31 Vendredy.

Diné à Hamstead chez le Baron Alvensleben.

15. *Wednesday.* Dined at Mr. Coore's with Sir John Pepperell, Mr. Harding, and took Mr. Sanders to his own house. Was at the Club; the news from Paris is confirmed.

16. *Thursday.* ~~Went to the cellar;~~ took out 12 large bottles of Madeira; 12 small bottles ditto; 15 of port; 15 of sherry; 4 of cider; 2 small Burgundy; 2 old Burgundy; 1 old port.

Received a letter from Devos, of the 14th; handed to my nephew.

17. *Friday.* Received a letter from Mabane, by Davison, of the 8th June. Was at St. Mary Axe.

Sir R. Pigot, General Smith and Colonel Marsh dined with me.

18. *Saturday.* Stayed at home;

19. *Sunday.* Dined at Hampstead. Called at the Club.

20. *Monday.* Dined alone. Was at St. Mary Axe and the Club.

21. *Tuesday.* My nephew breakfasted with me. I spoke to him of the family chest.

Called on Mrs. Gage respecting her son; on Mrs. Prevost, where I found General Moultry. Dined alone, took a walk and was at the Club,

22. *Wednesday.* Had a visit from Messrs. Rushout and Christie; M. Bourgeois—Des enfants.

Met Lord Sydney, who told me that it was he who had dismissed Monk; that he did not know who would take Hope's place, and that the King's health had been drunk in Boston as it would be done here.

Visited Mrs. Robertson and Mrs. Coore.

23. *Thursday.* Visited M. Rigaud and General Moultry.

24. *Friday.* My nephew who came to breakfast, handed me Mr. Bertrand's letter of the——

25. *Saturday.* Dined at General Smith's with Sir R. Pigot, Sir James Napier, General Gunning, Sir Bowater (?), the Governor of Gibraltar, General Robertson. Took a walk with General Smith.

26. *Sunday.* Took a walk and met gentlemen who had much to say on the affairs of France.

Baron Regensfeld, General Smith, Sir James Napier dined with me.

Called in the evening with the Baron at Mrs. Nagle's; home at 11.

27. *Monday.* The Baron dined with me; was at Hampstead.

28. *Tuesday.* The Baron dined with me. Took a turn by Blackfriars Bridge. At the Club.

29. *Wednesday.* Took a walk; nothing new. Dined at Hampstead with Mr. and Mrs. Sanders and family; Mrs. Robertson and Mr. Davidson. Won two Rubbers with Mrs. Robertson.

30. *Thursday.* Dined at Sir James Napier's, with General Smith and the Baron.

31. *Friday.* Dined at Hampstead at the Baron Alvensleben's.

Aoust le 1^{er} Samedi.

Diné au logis.

Été à Heygate et Hamstead ches Mad Robertson.

2. Dimanche.

Diné ches moy. passé au club. cn

Le 3. Lundy.

recu une invitation du G^l Fawcett pour dinner ches lui avec le G^l Stiffen.

Le G^l Smith, Sr James Napier et le Baron ont dinné ches moy.

promené avec le Baron que j'ay conduit au club.

4. Mardy.

Visitté le Baron Stiffen.

dinné chés le G^l Smith avec Sir James, Le Baron et un Col : Hessois qui à servy en Amerique.

Le 5. Mercredi.

fait visite à Mr Davisson.

resollu de voir l'attorney General.

à St Mary Axe d'ou j'ai envoyé chercher 200 L. chés les Banquiers.

recu la visite du G^l Stiffen et du Baron Coutzleben.

Budé est arrivé et a diné ches moy. Nous avons été ches M^{de} Nagell. J'ay été à Hamstead.

Le 6. Jendy.

Visitté le G^l Stiffen. Budé et Christie ont diné ches moy.

7. Vendredy.

fait visite au Baron Kutzleben. Excusé Le diner ches le B. Nagle le 12. Major Green m'a fait visite.

Le G^l Stiffen, le Baron Kutzleben, le Major Green, le G^l Bude et le Mj. Gunn ont diné ches moy. j'ay été content du dinné.

8 Samedi.

fait visite a Mad. Robertson.

9 Dimanche.

Budé a diné chés moy, promené & pasé la soirée au club.

10 Lundy.

Bude & Davisson ont diné chés moy passé à Hamstead.

12 (11) Mardy.

Est mon jour de naissance.

Le Baron a diné chés moy, promené ensemble & allé au club. J'ay rencontré Lord Amherst qui m'a invitté à aller à M^t Real. [La maison de campagne de Lord Amherst.]

Le 12. Mercredi.

Jour de naissance du Prince de Galles. Diné au club avec Sir R^t Pigot Sir Harry Parkes Sir Francois Molineux, Sir John Treviling, (Trevelyan), M. Banbury & M^{rs} fait un tour pour voir l'illumination.

Le 13 Jendy.

Mon neveux a dejeuné avec moy Sir R^t Pigot, Sir Harry Parquer et Budé ont diné chés moy. Été au cirous.

14. Vendredy.

Visitté Sir Harry Parker, été à St. Mary Axe, & le soir chés Mad^e Robertson.

15. Samedi.

Le Maj. Gunn et M. Christie ont diné chés moy. Le chev. Pigot ma fait visite. Été à Hamstead.

16. D.

J'allay avec Sir R. Pigot pr dinner chés le G^l Morrisson à la campagne. Il ne s'y trouve pas, revenu diner chés moy, resté au logis.

17. Lundy.

Diné chés moy. Visitté le G^l Steefan & Madame de Naguel.

Le 18. Mardy.

Vu Rigaud & le chev. Napier Sir R. Pigot n'etoit pas chés lui. Été le soir chés Mr Coore.

August.

1. *Saturday.* Dined at home. Was at Highgate and Hampstead at Mrs. Robertson's.
2. *Sunday.* Dined at home; called at the Club.
3. *Monday.* Received an invitation from General Fawcett to dine at his house with General Stiffen.
General Smith, Sir James Napier and the Baron dined with me.
Took a walk with the Baron, whom I took to the Club.
4. *Tuesday.* Visited Baron Stiffen. Dined at General Smith's, with Sir James, the Baron and a Hessian colonel who served in America.
5. *Wednesday.* Visited Mr. Davison; resolved to see the Attorney General. To St. Mary Axe, where I sent to get £200 from the bankers.
Received a visit from General Stiffen and the Baron Kutzleben.
Budé arrived and dined with me. We went to Mrs. Nagell's. I was at Hampstead.
6. *Thursday.* Visited General Stiffen. Budé and Christie dined with me.
7. *Friday.* Visited the Baron Kutzleben. Sent an excuse for the dinner at Baron Naglé's of the 12th, Major Green called.
General Stiffen, Baron Kutzleben, Major Green, General Budé and Major Gunn dined with me. I was satisfied with the dinner.
8. *Saturday.* Visited Mrs. Robertson.
9. *Sunday.* Budé dined with me. Took a walk and called in the evening at the Club.
10. *Monday.* Budé and Davison dined with me. Called at Hampstead.
12. (11.) *Tuesday.* My birthday. The Baron dined with me; took a walk together and went to the Club. Met Lord Amherst who invited me to go to Montreal [Lord Amherst's country seat].
12. *Wednesday.* Birthday of the Prince of Wales. Dined at the Club with Sir R. Pigot, Sir Harry Parkes, Sir Francis Molyneux, Sir John Trevelyan, Mr. and Mrs. Banbury. Took a turn to see the illuminations.
13. *Thursday.* My nephew breakfasted with me. Sir R. Pigot, Sir Harry Parker and Budé dined with me. Went to the Circus.
14. *Friday.* Visited Sir Harry Parker. Was at St. Mary Axe and in the evening at Mrs. Robertson's.
15. *Saturday.* Major Gunn and Mr. Christie dined with me. Sir R. Pigot called. Was at Hampstead.
16. *Sunday.* Went with Sir R. Pigot to dine at General Morrison's in the country, but he was not there. Returned and dined and stayed at home.
17. *Monday.* Dined at home. Visited General Stiffen and Madame de Naguel.
18. *Tuesday.* Saw Rigaud and Sir James Napier. Sir R. Pigot was not at home. In the evening was at Mr. Coore's.

19. Mercredi.

Diné chés Sir Isaac Heard, Lady Hansard le G. Stiffen, W. Hard, M. Pollock & Lady Herd avec sa nièce.

Le 20. Jeudi.

Lord Amherst m'est venu faire visite été ensemble chés le G^l Stiffen. Milord et Bude ont diné chés moy. J'ay été avec miL^e faire visite à Lord Dover.

21. Vendredy.

Le Doct. Barr a diné chés moy, passé chés Mad^{me} Prevost & M^{de} Robertson.

22. Samedy.

Visité le G. Polier Mad^e Robertson [Prevost] ma envoyé la requette qu'elle doit presenter à la Tresorerie, qui est faite par un M^r Chambers Solliciteur. Invité chés Coore mais je me suis fait excuser.

23. Dimanche.

dinné chés le G^l Morisson avec le G^l Pigot passé au club.

24. Lundy.

diné seul, fait visite à Mad^{me} Coore, passé au club.

25. Mardy.

resté en cave—Maderé 5, Cherry 9, Bourgogne 3, petit Bourg. 1.
Sorty de la Grande Cave—Port 15 B^{te} Claret 6, petit Bourg 6, Cheres 6, Cidre 6
Sir R. Pigot, le Baron, le Col. Pollier, & le Gouverneur Moultry ont diné chés moy. resté jusques à 10 heures.

26. Mercredi.

Diné et passé la journée ches moy.

27. Jeudi.

Été à Hamstead ou j'ay trouvé Messrs Sanders. Mon neveux crain pour nos Suisses qui ont de l'argent en France.

28. Vendredy.

Été à St. Mary Axe. diné ches moy, été au clob.

29. Samedy.

fait visite à Mad^{me} Prevost diné ches moy & visite Mad^{me} Robertson.

30. Dimanche.

je ne suis point sorty.

31. Lundy.

passé ches Mad. Prevost & Rigaud, dinné ches moy. passé la soirée à Hampstead.

Le 1^{er} Sept^{re}

Mon neveux a dejeuné ches moy, & ma fait voir une Lettre qu'il écrit à sa sœur Nivelit an sujet de M. Tulken. promené le matin, Budé a diné chez moy. resté le soir au Logis.

2. Mercredi.

fait visite au chev^r Napier & le Col: Polier. Baar [Barr] a diné ches moy passé la soirée ches M. Coore.

3. Jeudi.

Le Col. Hunter et le Capt. McLean de mon Batt: qui sont arrivés de Quebec ont diné avec moy et Bude. Ils mont apporté des Lettres de Deschambault, Avon-
baston et Pitchy, qui m'a envoyé le Portrait de la feme de Brant et une vue du Sault de Niagara.

J'ay été faire une visite au Baron Alvensleben avant diné, il faut une heure & 40 minutes pour se rendre ches Lui.

4. Vendredy.

Été à l'office des guerres ou j'ay vu Fosset, Roy, Monpaus &c.

Le Baron a diné ches moy. Nous sommes allé au clob ou j'ay perdu 5 guinées en deux Robers.

5. Samedy.

Visité Md Prevost Sr Rob. Pigot, Sr J. Napier & le Col. Polier, tous en blanc ont diné ches moy. Été ches Md Robertson, de la au clob. en revenant a 10 $\frac{1}{2}$ heures j'ay trouvé ches moy le Major Matthews avec qui je me suis entretenu jusqua 2 heures. Il ma apporté deux Lettres de Maban une Williamson, Baby, 2 de Freeman une de Christie.

19. *Wednesday*. Dined at Sir Isaac Herd's, Lady Hansard, General Stiffen, Mr. Herd, Mr. Pollock, and Lady Herd with her niece.

20. *Thursday*. Lord Amherst called; went together to General Stiffen's, His Lordship and Budé dined with me, and I went with His Lordship to visit Lord Dover.

21. *Friday*. Dr. Barr dined with me. Called on Mrs. Prevost and Mrs. Robertson.

22. *Saturday*. Visited General Polier. Mrs. Robertson [Prevost ?] sent me the petition she is to present to the Treasury, which was drawn up by a Mr. Chambers, solicitor. Invited to Coore's, but made an apology.

23. *Sunday*. Dined at General Morrison's with General Pigot. Called at the Club.

24. *Monday*. Dined alone. Visited Mrs. Coore and called at the Club.

25. *Tuesday*. Remaining in the cellar: Madeira 5; Sherry 9; Burgundy 3; petit Burgundy 1.

Taken from the large cellar. Port 15 bottles; Claret 6; petit Burgundy 6; Sherry 6; Cider 6.

Sir B. Pigot, the Baron, Colonel Pollier, and Governor Moultry dined with me, remaining till 10 o'clock.

26. *Wednesday*. Dined and spent the day at home.

27. *Thursday*. Was at Hampstead, where I found the Messrs. Sanders. My nephew is anxious about the Swiss who have money in France.

28. *Friday*. Was at St. Mary Axe. Dined at home; was at the Club.

29. *Saturday*. Paid a visit to Mrs. Prevost; dined at home and visited Mrs. Robertson.

30. *Sunday*. Did not go out.

31. *Monday*. Called on Mrs. Prevost and Rigaud; dined at home; spent the evening at Hampstead.

September.

1. *Tuesday*. My nephew breakfasted and showed me a letter he is writing to his sister Niveit on the subject of Mr. Tulken. Took a walk in the morning. Budé dined with me. In the evening stayed at home.

2. *Wednesday*. Visited Sir James Napier and Colonel Polier. Barr dined with me. Spent the evening at Mr. Coore's.

3. *Thursday*. Colonel Hunter and Captain McLean of my battalion, who have arrived from Quebec, dined with me and Budé. They brought me letters from Deschambault, Avorbaston and Pitochy, who has sent me a portrait of Brant's wife and a view of the Falls of Niagara.

I went to pay a visit to the Baron Alvensleben before dinner. It takes an hour and 40 minutes to go to his house.

4. *Friday*. Was at the War Office, where I saw Fawcett, Roy, Monpaus, &c.

The Baron dined with me. We went to the Club, where I lost five guineas in two rubbers.

5. *Saturday*. Visited Mrs. Prevost, Sir Robert Pigot, Sir James Napier and Colonel Polier, all were out. Dined at home. Went to Mrs. Robertson's and then to the Club. On returning at half past ten I found Major Mathews, with whom I talked till two o'clock. He brought me two letters from Mabane, one each from Williamson and Baby, two from Freeman, one from Christie.

6. Dimanche.

Budé, le Maj. Matthews le Capt. Frazier & Harton ont dinné ches moy je me suis entretenu toute la soiré sur les affaires du Canada avec Matthews qui a couché ches moy.

www.libtool.com.cn

Le 7. Lundy.

Le Polier ma fait visitte Budé le Baron & Mathews ont diné chés moy.

Le 8. Mardy.

J'ay été chés Mad^e Coore à Hamstead, & Lui donné 2 Douze de Caille. J'y ay vu Mr Liselt Mons. l'oncle qui doit avoir été dans la marine. Dinné chés le chev. Fawsett avec le G^l Stiffen, le Baron Kutzeleben, Budé & le Major Gunn perda 3 Robers contre Lady Fawsett.

9. Mercredy. Septembre

Le Maj. Mathews a diné chés moy. Été au clob.

10. Jedy.

Le Maj. Mathews et le Baron ont diné chés moy. Mon neveux arriva le soir, le Major devoit partir demain à la pointe du jour.

11. Vendredy.

Le Capt. Frazier me fait visitte & Davisson ma remis une Lettre de Gray. J'ay écrit à Lord Amherst en lui envoyant une Lettre du ministre Needall.

12. Samedy.

Mon neveux est venu dinné chés moy & ma fait voir une Lettre de sa mere, qui est fort affectionnée. Je l'ay reconduit à Hamstead.

13. Dimanche.

Je ne sortis pas.

14. Lundy.

Receu une Lettre de Lord Amherst au sujet de M. Mieville que je Lui ay envoyé, rencontré Lord Sydney qui ma invitté à aller tuer des Perdrix, promené avec le Col. Hunter, nous avons beaucoup parlé du Canada & du Col Harris. Je crois d'avoir fait une mauvaise acquisition. dinné et passé la journée chés moy.

15. Mardy.

M. le Ministre Mieville est venu de Canterbury. Je Lui ay donné une Lettre pr Ld Amherst ou il a passé en retournant fait visitte à Md Prevoost qui s'est plain des ambaras que les françois lui donnent, surtout M. Daligré.

fait visitte le soir à M. Moultry, qui a la Goutte.

16. Mercredy.

J'ai été à Hamstead d'on j'ay apporté du Fruit & du Beurre. Les Cola. Kemble & Hunter ont diné ches moy. Reçu une Lettre de James Pillichody.

17. Jedy.

J'ay été faire visitte au Baron Alvensleben, qui ma dit que le Landgrave de Hesse a degoutte 4 ou 5 de ses meilleurs Genereaux qui ont pris leur demission. Le Duc des deux Ponts est fort singulier et depensier à l'excès. Le Duc de Choiseul avoit dit plusieurs fois pendant son ministère que les Gardes Françoises occasioneroient la ruine de la Constitution. Il est surprenant qu'on ne l'aye pas prevenu.

dinné et passé la journée chés moy.

18. Vendredy.

Été à St. Mary Axe. Mon neveux me dit qu'il avoit passé le fils ainé de Mr Sanders.

19. Samedy.

fait visitte a Mr Prevoost qui me dit que les Suisses avoient pretté un nouveaux serment au Roy, & à la nation. Le Baron Rt & le Capt Frazier ont dinné chés moy. Mal à l'oreille je ne suis pas sorty.

20. Dimanche.

Le Mal d'oreille continua. Je ne suis point sorty. Le Baron, le Major Green & le Capt. Frazier ont dinné chés moy—reçu la visitte de Colonel Small & du Col. McArthur.

21. Lundy.

Davisson ma fait visitte & voudroit que je me melasse des affaires du Canada. Été à Hamstead—fait visitte à Mad^e Robertson diné et passé la soiré chés moy.

6. *Sunday*. Budé, Major Mathews, Captain Frazer and Horton dined with me. The conversation the whole evening was on the affairs of Canada with Mathews, who slept at my house,

7. *Monday*. Polier called. Budé, the Baron and Mathews dined with me.

8. *Tuesday*. Was at Mrs. Coore's at Hampstead; gave her a dozen quails. I saw there Mr. Liselt, the uncle who was to have been in the Navy. Dined at Fawcett's with General Stiffen, Baron Kutzleben, Budé and Major Gunn. Lost three rubbers to Lady Fawcett.

9. *Wednesday*. September. Major Mathews dined with me. Was at the Club.

10. *Thursday*. Major Mathews and the Baron dined with me. My nephew arrived in the evening. The major was to leave at daylight.

11. *Friday*. Captain Frazier paid me a visit and Davison sent me a letter from Gray. I wrote Lord Amherst sending him a letter from Needall the minister.

12. *Saturday*. My nephew came to dine with me and showed me a letter from his mother, which is most affectionate. I walked back with him to Hampstead.

13. *Sunday*. Did not go out.

14. *Monday*. Received a letter from Lord Amherst on the subject of Mr. Mieville, which I have sent to him. Met Lord Sydney who invited me to the partridge shooting. Took a walk with Colonel Hunter; we spoke a great deal of Canada and of Colonel Harris. I believe I have made a bad bargain.

Dined and spent the day at home.

15. *Tuesday*. Mr. Mieville the Minister came from Canterbury. I gave him a letter to Lord Amherst where he called. On returning [I] paid a visit to Mrs. Prevost, who is full of the troubles the French give her, especially Mr. Daligre.

In the evening called on Mr. Moultry, who has the gout.

16. *Wednesday*. Was at Hampstead, from which I brought fruit and butter. Colonels Kemble and Hunter dined with me. Received a letter from James Pilliody.

17. *Thursday*. Paid a visit to the Baron Alvensleben, who told me that the Landgrave of Hesse had disgusted four or five of his best generals, who have taken their discharge. The Duke des Deux Ponts is very singular and extravagant. The Duke de Choiseul had said several times during his ministry that the French Guard would bring about the ruin of the constitution. It is surprising that this had not been anticipated.

Dined and spent the day at home.

18. *Friday*. Was at St. Mary Axe. My nephew told me he had found a place for the oldest son of Mr. Sanders.

19. *Saturday*. Paid a visit to Mrs. Prevost, who told me that the Swiss had taken a new oath to the King and Nation. The Baron Regenfeld and Captain Fraser dined with me. Ear-ache; I did not go out.

20. *Sunday*. The earache continues; I did not go out. The Baron, Major Green and Captain Fraser dined with me. Received visits from Colonel Small and Colonel McArthur.

21. *Monday*. Davison called on me and wished me to interfere in Canadian affairs. Was at Hampstead; paid a visit to Mrs. Robertson. Dined and spent the evening at home.

22. Mardy.

Été à la Grande Cave ou j'ay rempli tous les Barils dans la Madeira de Tod. Il est entre 3. Bouteilles—dans l'autre Baril Madere 10. Bouteilles dans le Baril cheres 2. bout. entre les deux de Port 4 bout.

Apporté à la maison.

12 B. Madere, 12 B. Cheres, 18 B. Port, 8 B. Vieux Madere, 4 B. Claret.
Capt. Frazier et Davisson ont diné ches moy.

24. Mercredi.

Le Roy est venu en ville. Il y a eu Levée à St. James ou j'ay été.

25. Jedy.

Fait visite à Lord Dover qui étoit allé à Kieu dinné ches moy ou Davisson est venu & me fait voir la liste de Personnes propres à être jures à Québec—qu'il se propose de faire parvenir à Mr Grenville par le Capt^e Frazier. Il me dit que Finlay écrit des Volumes, & qu'il souhaite fort que le ministre ne voye pas les Lettres.

26. Vendredy.

Promené et fait visite au G^l Roy, qui se propose d'aller passer l'hiver à Lisbonne fait visite l'après dinné au G^l Moultry.

27. Samedi.

Mon neveu est venu déjeuner avec moy, et ma remis les Contes de mon Agent été à St. Mary Axe et à Hamstead.

28. Dimanche.

Été à frognall, faire une visite à L^d Sydney, ou j'ay été reçu avec toute l'affabilité possible. Lord Stopfort qui y étoit m'a appris plusieurs anegdottes concernant les Pes celui qui est à Geneve doit 16,000 St. & ne peut pas partir sans payer—les autres sont dans le même cas & ne trouvent pas du crédit. Le Duc du Clarence est de même que les deux Cadets. Si LaRegence avoit eu lieu on auroit nommé quatre Marechaux Le Prince le Duc de York, le G^l Conway, et peut-être le Marquis Townshend,—tous les uniformes de l'armée, Inf. Cavallerie artillerie & la Marine auroient été changés qu'elle confusion.

28. Lundy.

Le Col. Hunter me fit visite & ma fait connoitre plusieurs vilénies du Col. Etherington. Je lui fit voir le conte des agents, ou il me fit remarquer une erreur de 5£5 qu'il fera coriger. Je devrois obliger l'officier qui Comande le Batt. de m'envoyer chaque année un retour des Habillements. Il paroît que j'ay été lesé impunement que les Messieurs ont disposé sans scrupulle de tout ce qui m'appartint surtout M. Prevost, mais sans me veller comme a fait Etherington.

29. Mardy.

fait visite au Col. Miranda qui paroît toujours plus interessant. Reçu une Lettre du Capt^e Rusillion, le cuisinier et Ehrigel ont écrit à Rnguel.

30 Mercredi.

le G^l Budé et le Col. Goldsworthy ont dinné ches moy. J'ay tout lieu de regretter de n'avoir pas fait ma Cour à Weymouth.

Passé la soirée ches le B. Nagell ou j'ay trouvé Lord Howard & Milady. Jous au commerce et revenu a or se heures.

Le 1^{er} Octobre Jedy.

fait visite à Lord Amherst qui est venu en ville avec Milady.

2. Vendredy.

Diné ches le Baron Alvensleben ou il y avoit plusieurs personnes le Baron me dit que le Roy en recevant les Plans dit d'abord que c'étoit de moy, et que j'étois un bien bon officier. Il les examinat avec empressement. Gagné deux Robers & revenu avec le General Pauly à minuit.

3. Samedi.

fait visite à Lord Amherst que me fit voir les lettres qu'il avoit reçu Canada concernant les biens des Jesuites le juge Smith le flatte de la façon la plus basse. Milord me dit qu'il avoit écrit au Lieut Gouv. de Guernsey concernant le Ministre Mieville et Lui avoit recommandé de Lui donner cure s'il y en avoit un vacante que ça Lui donneroit directe une cure, s'il en venoit une vacante.

22. *Tuesday.* Was at the large cellar, where I filled all the barrels with Tod's Madeira; There are about 3 bottles; in the other barrel of Maderia, 10 bottles, in the sherry barrel 2 bottles, between the two of port 4 bottles.

Brought to the house: 12 bottles Madeira; 12 bottles sherry; 18 bottles port; 8 bottles old Madeira; 4 bottles claret.

Captain Fraser and Davison dined with me.

24. *Wednesday.* The King came to town. There was a levée at St. James' at which I attended.

25. *Thursday.* Called on Lord Dover, who had gone to Kew. Dined at home, where Davison came and showed me the list of persons suitable to be sworn in at Quebec, which he proposed to send to Mr. Grenville through Captain Fraser. He told me that Finlay is writing volumes, and that he wishes very much the minister should not see the letters.

26. *Friday.* Took a walk and paid a visit to General Roy, who is proposing to pass the winter at Lisbon. After dinner called on General Moultry.

27. *Saturday.* My nephew came to breakfast with me and handed me my agent's accounts. Was at St. Mary Axe and Hampstead.

28. *Sunday.* Was at Froghall to pay a visit to Lord Sydney, where I was received with all the affability possible. Lord Stopford who was there gave me several anecdotes, concerning the Princes. The one at Geneva owes £16,000 sterling and cannot leave before paying; the others are in like case, and cannot get credit. The Duke of Clarence is the same as the two younger. Had the Regency taken place, four marshals would have been appointed, the Prince, the Duke of York, General Conway and perhaps Lord Townshend. All the uniforms of the army, Infantry, Cavalry, Artillery and Marines would have been changed. What confusion!

28. *Monday.* Colonel Hunter called and acquainted me with several villainies of Colonel Etherington. I showed him the account of the agents in which he pointed out an error of £5, which he would have corrected. I should oblige the officer commanding the battalion to send me every year a return of the clothing. It appears that I have been wronged with impunity, that the gentlemen have disposed without scruple of all belonging to me, especially Mr. Prevost, but without robbing me as Etherington has done.

29. *Tuesday.* Visited Colonel Miranda, who appears always more interesting. Received a letter from Captain Roussillon, from the cook and from Ehrgal. Wrote to Engnel.

30. *Wednesday.* General Budé and Colonel Goldsworthy dined with me. I have every reason to regret not having paid my court to Weymouth.

Spent the evening at the Baroness Nagell's, where I found Lord and Lady Howard. Played at commerce and returned at eleven.

October.

1. *Thursday.* Visited Lord Amherst, who has come to town with Her Ladyship.

2. *Friday.* Dined at Alvensleben's, where were several persons. The Baron told me that the King on receiving the plans said at once they were mine and that I was a very good officer. He examined them most attentively. Won two rubbers and returned with General Paoli at midnight.

3. *Saturday.* Visited Lord Amherst who showed me the letters he had received from Canada concerning the Jesuits Estates. Judge Smith flatters in the basest manner. His Lordship told me he had written to the Lieut. Governor of Guernsey respecting the Minister Mieville, and recommended he should be given a charge if there were one vacant. That this letter would at once give him a charge should one become vacant.

4. Dimanche.

fait visite à Ld & Ldy Amherst que je ne trouvoy pas—de à Mad^e Prevost à qui je pretay ma voiture pr y aller visiter, Moultry le Col. Hunter dina ches moy, et me dit la proposition qu'on lui avoit faite pour la Baye d'Onduras ou il ira, et prendra son passage pr la Jamaïque avec Ld Effingham.

Hunter me dit que le Roy l'avoit d'abord reconnu &c. &c.

5. Lundy.

Daviesson vint ches moy pour me dire que Ld Dorchester avait obtenu la permission de venir icy—qu'il n'y avait pas d'apparenc^e qu'il retournerat jamais à Quebec—que le Col. Clark commanderait la Province & que le R avoit positivement que les hommes, Carleton y commendat Jamais le chevalier Mills a été suspendu de son employe. Le Col. Miranda ma fait visite.

6. Mardy.

fait visite à Mad^e Prevost qui me dit que son Pere avoit envoyé 15,000 de present à la nation au Lieu de la recolte qui vaut beaucoup plus. Été à Hamstead. Baar a diné ches moy. Reçu une Lettre de M. Mathews.

7. Mercredi.

J'ai été au Levée qui étoit assés nombreux, le R. a été fort gracieux. Le Gl Grenville, Bude, Roy, Col. Goldaworthy & Miranda ont dinné chés moy.

8. Jedy.

Été à la cour qui étoit nombreuse le Baron a dinné chés moy & nous avons passé la soirée chés Madame de Nagle.

9. Vendredy.

Signé une Lettre que nous avons écrit à Ld Rodney au sujet de l'argent d'Installation qu'il n'a pas encore payé. fait visite à Ld Holdernesse.

10. Samedi.

Promené en voiture et à pied, rencontra Nepean qui ma fait un récit des tumultes arrivé à Vereailles. J'ay été à St. Mary Axe.

11. Dimanche.

fait visite à Mad^e Prevost de la Hamstead, & chés Mr Corre—revenu & passé la soirée ches moy.

12. Lundy.

Adair est venu chés moy. Le Cap^t Frazier y a dinné nous nous sommes beaucoup entretenu du Canada. Il a connu le Br Hope.

13. Mardy.

Gunn a diné chés moy. Le P. de Galles est fort de ses avis.

14. Mercredi.

J'ay été au Levé ou il y avoit beaucoup de monde, surtout Lord North. Dinné chés le chev. Yong avec Mad^e & Mr Manfred, Sir G. Outtard, le Gl Miss Coborn, Messrs Miranda Roy, Fosset, &c, &c.—passé la soirée et perdu 2 Robers revenu à 12 heures.

15. Jedy.

Promené visité Lady Holdernesse diné & passé la journée chés moy.

16. Vendredy.

Mon neveux est venu dejeuner chés moy. visité Sr Robert Pigot, diné chés le chev. Fosset, avec le Gl Roy, Dundas, le Dr Farquar, le Col. le Maj. Gunn & Miss passé la soirée et joué deux Robers.

17. Samedi.

fait visite à M. Rigaud qui a dinné ches moy, avec le Baron & Gunn. Ou a reçu la nouvelle de deux victoires remportés sur les Turcka.

18. Dim.

Dinné chés mon neveux avec Mr & Mad. Ramsgate a été le sujet de la conversation. Il paroît qu'on s'y est beaucoup amusé.

19. Lundy.

Visité le Baron, Sir R^t Pigot, Md Prevost. Été à St. Mary Axe ou mon neveux ma communiqué les liaisons qui paroissent vouloir se fournir [former] entre M. Moisse [Morris] et Saly. Été ches Mr Christie, Mr Adair et le Baron ont diné chés moy, le dernier me dit que le Duc d'Orléans étoit arrivé à Londra.

4. *Sunday.* Visited Lord and Lady Amherst, but they were not in. Went to Mrs. Prevost's, to whom I had lent my carriage to pay a visit. Moultry and Colonel Hunter dined with me, and told me of the proposition that had been made to him for the Bay of Honduras, where he will go, taking his passage to Jamaica with Lord Effingham.

Hunter told me that the King had at once recognized him, &c., &c.

5. *Monday.* Davison came to tell me that Lord Drogheda had obtained permission to come home; that there was no appearance of his ever returning to Quebec; that Colonel Clarke commanded the Province; that the King positively [refused to appoint] the men Carleton had recommended there. Sir Thomas Mills suspended from his office. Colonel Miranda called.

6. *Tuesday.* Called on Mrs Prevost, who told me that her father had sent 15,000 as a present to the nation instead of the crop which is worth much more. Was at Hampstead. Barr dined with me. Received a letter from Major Mathews.

7. *Wednesday.* Was at the levée, which was pretty full; the King was very gracious. General Grenville, Budé, Roy, Colonel Goldsworthy, and Miranda dined with me.

8. *Thursday.* Went to the Court, which was numerously attended; the Baron dined with me and we spent the evening at Madame Naglé's.

9. *Friday.* Signed a letter which we wrote to Lord Rodney respecting the installation money, which he has not yet paid. Paid a visit to Lord Holderness.

10. *Saturday.* Took a drive and a walk. Met Nepean who gave me an account of the tumults taking place at Versailles. Was at St. Mary Axe;

11. *Saturday.* Visited Mrs. Prevost; thence to Hampstead and to Mr. Coore's; returned and spent the evening at home.

12. *Monday.* Adair called. Captain Frazer dined with me. We had a long conversation on Canada. He knew Brigadier Hope.

13. *Tuesday.* Gunn dined with me. The Prince of Wales is obstinate in his opinions.

14. *Wednesday.* Was at the levée, which was well attended, noticed Lord North especially. Dined at Sir George Yonge's, with Mr. and Mrs. Manfred, Sir G. Outard, General , Miss Cockburn, Messrs. Miranda, Roy, Fawcett, &c., &c. Spent the evening and lost two rubbers. Home at twelve.

15. *Thursday.* Took a walk. Called on Lady Holderness; dined and spent the day at home.

16. *Friday.* My nephew came to breakfast with me. Called on Sir Robert Pigot, dined at Fawcett's with Generals Roy and Dan:as, Dr. Farquhar, Colonel Major Gunn and Miss ; spent the evening and played two rubbers.

17. *Saturday.* Visited Mr. Rigaud, who dined with me, along with the Baron and Gunn. Received news of the two victories over the Turks.

18. *Sunday.* Dined at my nephew's, with Mr. and Mrs. . Ramsgate was the subject of conversation. It appears that there is a good deal of amusement there.

19. *Monday.* Called on the Baron, Sir Robert Pigot and Mrs. Prevost. Was at St. Mary Axe, where my nephew informed me of the relations apparently to be formed, between Mr. Morris and Sally. Was at Mr. Christie's. Mr. Adair and the Baron dined with me; the latter told me that the Duke of Orleans had arrived in London.

20. Mardy.

J'ay sorti de la Grande Cave

22. bout. de Port; 11. de Cheres; 6. de Madère.

Il restoit icy le 20^e

6. B. Sheres, 3. Claret, 5. Madere, 3. vieux Bourgogne, 4. N. Bourgogne, 7. Konigshorn, 6. Sidre

Il y a dans la Grande Cave 46. Bt. Sidre; 25 Bt. Vieux Bourgogne.

Le Col. de Miranda a dinné ches moy, resta jusqu'à 10 heures.

21. Mercredy.

Mon neveux vint me dire qu'il me Conseillait d'acheter deux actions dans les Indes dont je retirerais les 5 pr ct. qu'il lui resteroit encorre passé 14,000 de mon argent dont il ne pouroit me donner que 4 pr ct. donné ordre d'acheter.

22. Jedy.

Vt Madame de Peister & Md Prevost qui ma fait voir une Lettre de son Pere qui pouroit bien venir icy. Il n'y a point d'argent à Geneva, tout est d'une chute [cherté?] orible en Suisse, ou on ne veut plus recevoir de françois.

On me dit que le Duc D'Orleans avoit une lettre de creance aupres du Roi.

Le Lt. Col. Hunter vint m'expliquer ce qui concerne la demande que le G^l Morisson fait pour l'habillement que ses Draught ont reçu en passant dans mon Regimt Il paroît n'etre pas fondé mais il faut que je fasse examiner la chose par deux Generaux.

23. Vendredy.

Dinné ches le G^l Moultry avec le Col. McArthur, Col. Small, Col. Hamilton.

Le Col. de Miranda suppose avoir été obligé de s'absenter pr avoir permis le Contrebande.

24. Samcdy.

Diné ches moy, fait quelques visittes pris 100£ ches les Banquiers.

25. Dimanche.

Consulta Mr Coore, pr les affaires de de Lancy—dt pr mes concessions dans la Florida. Diné ches mon neveux, j'avois pris le chocolat ches le Baron Regensfeld.

26. Lundy.

M. le Lt. Rapilje a dejeuné ches moy, rous avons été ensemble ches Mr Coore pr faire faire une Procure que je Lui remettray avec les Titres des Terres que j'ay dans la Florida qui font 7. patentes en tout 6500 arpents ma procure est adressée à Mr David Odge, Mr Rapilyi Père et Mr Rapilyi fils. Celui-cy me dit que tous les Comend^{ts} Espagnols faisoient un Commerce de Contrebande, & qu'ils étoient fort arbitraires dans leurs Gouvernemt.

Le 27. Mardy.

Mon neveux a dejeuné ches moy, & nous avons finy avec Mr Tuckfield tous les contes des Taxes de ma maison dont mon neveux se chargera pour la suite, & il Lui a avancé 20£ St. Le Capt. Frazier est venu me communiquer la Lettre qu'il a reçu de M. Nepean & me demanda mon avis sur la façon d'y repondre on a reçu la capitulation de Belgrade.

28. Mercredy.

J'ay été au Levé o'toit jour de Collier. Le Duc Dorleans estoit present. Le clerk de Mr Coore est venu pour Executter la Procure que j'ay signée pr Messrs Hodges & Rapilyi père et fils. J'ay reçu de Fisher un forok d'un form neuf. Frazier a dinné ches moy.

29. Jedy.

Gun a diné ches moy reçu une Lettre de Mr Rapilyi que me dit qu'il est arrêté pr dette et me demande de la caution &c. le Col. Small s'est chargé de lui parler à ce sujet.

30. Vendredy.

J'ay retiré la Procure que je me proposais de donner à Mr Rapilyie de memo que les Titres de mes Terres qui estoit ches Mr Coore. Le Col. Small a diné ches moy & parla de Mr Rapilyie qui est arrêté.

31. Samedy.

Été à St. Mary Axe & ches le Genl Moultry.

20. *Tuesday*. Took from the large cellar: 22 bottles of port; 11 of sherry; 6 of Madeira.

There remained here on the 20th; 6 bottles sherry; 3 claret; 5 Madeira; 3 old Burgundy; 4 N. (new) Burgundy; 7 Konigshorn; 6 cider.

There are in the large cellar; 46 bottles of cider; 25 bottles old Burgundy. Colonel Miranda dined with me; stayed till ten o'clock.

21. *Wednesday*. My nephew came to tell me that he would advise me to purchase two shares in the Indies [East India Company] for which I would receive 5 per cent. That there would still remain £14,000 for which he could only give me 4 per cent. Gave an order to purchase.

22. *Thursday*. Saw Mrs. de Peyster and Mrs. Prevost who showed me a letter from her father who might come here. There is no money in Geneva; every thing is horribly dear in Switzerland, where the French will no longer be received.

I am told that the Duke of Orleans had a letter of credence to the King.

Lieutenant-Colonel Hunter called to explain what concerns the demand General Morrison made for the clothing his draughts received on passing into my regiment. It does not appear to be well founded, but I must have the matter examined by two general officers.

23. *Friday*. Dined at General Moultry's with Colonel McArthur, Colonel Small and Colonel Hamilton.

Colonel Miranda is supposed to have been obliged to absent himself for having allowed smuggling.

24. *Saturday*. Dined at home; paid a few visits; deposited £100 with the bankers.

25. *Sunday*. Consulted Mr. Coore on Mr. deLancy's affairs and on my concessions in Florida. Dined at my nephew's. Took chocolate at the Baron Regensfeld's.

26. *Monday*. Lieut. Rapijlie breakfasted with me. Went together to Mr. Coore's, to get him to draw up a power of attorney that I should hand him, with the titles of the lands I have in Florida, seven patents in all for 6,500 acres. My power of attorney is addressed to Mr. David Odge [Hodges], Messrs. Rapijlie, senior and junior. The latter told me that all the Spanish commandants made a trade of smuggling and that they were very arbitrary in their governments.

27. *Tuesday*. My nephew breakfasted with me and we closed with Mr. Tuckfield all the account of taxes on my house, of which my nephew will take charge in future, and advanced him £20. Captain Fraser came to communicate to me the letter he had received from Nepean and to ask my advice how to answer it. The capitulation of Belgrade is received.

28. *Wednesday*. Was at the levée; it was collar day; the Duke of Orleans was present. Mr. Coore's clerk came to execute the power of attorney, which I signed for Messrs. Hodges and Messrs. Rapijlie, senior and junior. Received from Fisher a fork of a new shape. Fraser dined with me.

29. *Thursday*. Gunn dined with me. Received a letter from Mr. Rapijlie, telling me that he is arrested for debt and asking me to be his security, &c. Colonel Small undertook to speak to him on the subject.

30. *Friday*. Withdrew the power of attorney which I intended to give Mr. Rapijlie, as well as the titles to the lands, which were at Mr. Coore's. Colonel Small dined with me and spoke of Mr. Rapijlie, who is arrested.

31. *Saturday*. Was at St. Mary Axe and at General Moultry's.

1^{re} Nov. Dimanche.

Été à Hamstead et chez Mr Coore. Messrs le Col : Kembell, Mr Arthur, Small, Hunter, Frazier et le G^l Moultry ont dîné chez moy.

www.libtool.com.2) Lundy.

J'ay porté à Mr Coore le dernier conte de Wallace qui prouve que la Cedulle de Delancy m'appartient. Je Lui ay aussi laissé une Lettre de Wallace pour prouver sa signature. N. B. Le conte et la signature sont de la main d'Alexandre Wallace. J'ay donné ordre à mon neveu (qui est venu dîner chez moy) d'écrire à sa mère qu'elle pouvoit tirer sur Lui p^r mon conte cent L. St. par année content du 1^{re} juin 1790, dont elle donnera vingt & cinq L. St. par année à chacune de ses Filles.

3. Mardy.

Dinné chez M. Coore nous étions 12. Personnes revenu à 11 heures. M. de Péna qui revient de Petersbourg ma fait visite d^t le Colonel Marsh.

4. Mercredi.

J'ay appris la mort de M. Louy Prevost. passé la journée à arranger des Vieux papiers.

5. Jedy.

Été à la Cour qui a été nombreuse. Diné chez Marsh avec le Col : Garth & son Frere le G^l Cammel et le G. Pattison—resté jusq^a 1 heure du matin.

6. Vendredy.

Mon neveu a dejeuné chez moy, et me dit qu'il avoit écrit à sa mère au sujet des Pensions que je fais. Le Chev : Napier, le Col : Marsh M. Adair, M. de Péna, ont diné chez moy. J'ay été chez Mr Coore p^r le prier de parler au Procureur de M. Rapilyie, que je veux joindre à l'engagement qu'il feront p^r payer sa dette pourvu que ce soit dans 12 mois.

Passé chez Lord Amherst & milady qui mont très bien reçu. my L^d ma dit que par la suite l'avancement se feroit par Batt : J'ignore d'ou vient ce changem^t je me suis chargé d'acheter un Lt pour le neveu de Mathews, et j'ay chargé Ogilvie de lui écrire en consequence.

7. Samedy.

J'ay donné des Roquelaures neuves à mon Cocher et à John. J'ay été chez Mr Coore et le Col : Small au sujet de Rapilyie, dinné et passé la soirée chez moy à arranger les papiers.

8 Dimanche.

fait visite au G^l Leland & Ainsley au Maj. Chapman au G^l Bruce à Mr Pena & au Col. Miranda. Le Col. Kemble & le Capt. Fraser mont fait vissitte. Dinné à Hamstead avec Mr & M^{rs} Sanders & M. Pena.

9 Lundy.

Mon neveu a dejeuné chés moy, le G. McLean Fraser, Kemble & le Baron ont dinné chez moy.

Nov. 10 Mardy.

J'ay fait visite à Lord Hathfield qui ma paru fort faible, mais parlant avec beaucoup de feu, un ton de voix ferme, & haut, & se lonant des oivillités qu'il a reçues à Aix-la-Chapelle & à Bruzelle. Le Major Gunn a dinné chez moy.

Novembre le 12 (11) Mercredi.

J'ay été au Levé qui a commencé de bonne heure. Lord Amherst le Col. Marsh & Hunter le chev. Napier avec Mr Adair ont dinné chés moy.

13 (12) Jedy.

J'ay été à la citté pour parler à Mr Coore au sujet de Rapilyie, mais je ne l'ay pas trouvé, été chés mon neveu.

14 (13) Vendredy.

Été chés Mr Coore qui me dit la découverte qu'il avoit fait par hasard au sujet de Rapilyie, ce qui ma degoutté d'avoir rien à faire avec Lui, le Colonel Lutwidge [Luttridge] Loyaliste qui a epousé la fille de l'oncle de Rapilyie est celui qui Lui a decouvert le mistère, & Lui a dit tout ce que son beau père a fait p^r Lui. Il l'a tiré du Kings bentsh ou il a été 16 mois.

December.

1. *Sunday.* Was at Hampstead and at Mr. Coore's. Colonels Kemble, McArthur, Small, Hunter, Fraser and General Moultry dined with me.
2. *Monday.* Took to Mr. Coore Wallace's last account, which proves that deLancy's bill belongs to me. I also left a letter from Wallace to prove his signature. N.B. The account and the signature are in Alexander Wallace's hand. I gave an order to my nephew (who came to dine with me) to write to his mother that she might draw upon him on my account £100 sterling a year, from the 1st June, 1790, of which she will give £35 sterling a year to each of her daughters.
3. *Tuesday.* Dined at Mr. Coore's; we were twelve persons. Home at 11, M. Péna, who has returned from St. Peteraburg called, as did Colonel Marsh.
4. *Wednesday.* Heard of the death of Mr. Louis Prevost. Spent the day in arranging old papers.
5. *Thursday.* Was at the Court, which was crowded. Dined at Marsh's with Colonel Garth and his brother, General Cammell and General Pattison; stayed till one in the morning.
6. *Friday.* My nephew breakfasted with me, and told me that he had written to his mother respecting the yearly allowance I was making. Sir James Napier, Colonel Marsh, Mr. Adair, M. de Péna dined with me. Went to Mr. Coore's to ask him to tell Mr. Rapijje's attorney that I would join in the agreement that shall be made to pay his debt, provided it be paid in twelve months.
Called on Lord and Lady Amherst, who received me well. His Lordship told me that in future promotions would be made by battalions. I do not know how this change comes. I undertook to purchase a lieutenantancy for a nephew of Mathews, and asked Ogilvie to write him accordingly.
7. *Saturday.* Gave new great coats to my coachman and to John. Went to Mr. Coore's and Colonel Small respecting Rapijje. Dined and spent the evening at home arranging old papers.
8. *Sunday.* Visited Generals Leland and Ainsley, Major Chapman, General Bruce, M. Péna and Colonel Miranda. Colonel Kemble and Captain Fraser called. Dined at Hampstead with Mr. and Mrs. Sanders, and M. Péna.
9. *Monday.* My nephew dined with me. General McLean, Fraser, Kemble and the Baron dined with me.
10. *Tuesday.* Paid a visit to Lord Heathfield, who seemed very feeble, but spoke with much fire and in a firm and strong tone, and was much pleased with the civilities he had received at Aix-la-Chapelle and Brussels. Major Gunn dined with me.
- 12 [11]. *Wednesday.* Was at the levée, which began early. Lord Amherst, Colonels Marsh and Hunter, Sir James Napier and Mr. Adair dined with me.
- 13 [12]. *Thursday.* Went to the city to speak to Mr. Coore respecting Rapijje, but did not find him. Went to my nephew's.
- 14 [13]. *Friday.* Went to Mr. Coore's who told me of the discovery he had accidentally made respecting Rapijje, which disgusted me with having had anything to do with him. It was Colonel Lutwidge [Luttridge], a loyalist, who married the daughter of Rapijje's uncle, who disclosed the mystery and told all that his father-in-law had done for him. He took him out of the King's Bench where he was confined for sixteen months.

15 (14) Samedi.

Été à St. Mary Axe & de la au club, le temps fut mauvais passé là soirées ches moy.

www.libtool.com 16 (15) Dimanche.

J'ay donné à mon Cocher & à mon Laquais des Livrées neuves. Le Capit. Fraser est venu me communiquer la requette que le Capit. Magdonal se propose de présenter à Lord Amherst.

M. George Davisson qui étoit party de Quebec le Oct. est arrivé ce matin & m'a apporté des Lettres du Docteur Mabane & du Devos, dattées du premier Octobre.

Mon neveux [Devos] étoit party d'icy avec le Major Holland le 1er juillet.

17 (16) Lundy.

Le Major Murray a dinné avec moy & ma donné une idée de la Fortune de Mad^m Robertson qui est entie 13 & 1400 L. St. de rente.

18 (17) Mardy.

J'ay fait visite a Mr H. Davisson, G^l Campbell, Edington, Molesson, Sir J. Napier, G^l Smith, le Colonel Beverley Robinson ma fait visité.

J'ay sorty de la Grande Cave. Madere 6; Cheres 15; Port 33.

Mr G. Davisson m'est venu faire visite, ma dit beaucoup de bon de mon neveux Devos & beat^p de mal de Smith, Grant, &c., &c.

19. (18) Mercredi.

Le Baron R. & Bude m'ont fait visite, d^t le gouverneur Franklin qui ma parlé sur des prétentions qu'on formait contre le gouvernem^t pour des bois coupé sur le lac Champlain par un certain Mitealf un grand Rebelle &c, fait visite au maj. Murray, M. Izbutar, & au col: Miranda que je trouve tous les jours plus interessant, diné chés Sir J. Napier avec le G^l Smith, le Col: Marsh, le Doot. Adair, Lord Amherst obligé d'aller à la Comédie avec la cour ne s'y trouve pas.

Je fus engagé pour diner dans 8: jours chés le colonel Marsh.

20. (19) Jedy.

Été à la cour. Dinne chés Lady Holdernesee, fait visite à Mad^e de Nagle, & passé la soirées chés le Col: Goldaworthy, fait un Rober avec sa cœur, Budé ma parlé, de M^e de Montmolin à laquelle il faudra que je fasse visite p^r lui expliquer la situation de son Parent à Québec qui est ministre.

21. (20) Vendredy.

Fait visite à Lady Yorg. Le G^l Smith Sir J. Napier le Baron le Col. Small & M. Adair ont dirée chés moy.

J'ay reçu une lettre de mon neveux qui ma apprie la prise d'Ostende et de tout le Braban excepte Bruzelles ou il y a 7000 soldats de l'Empire. J'ay prié le Col: Small d'écrire à Rapilly que je ne vouillois pas me mêler de ses affaires, puis que son Oncle qui étoit sur les lieux, avoit fait tout ce qu'il avoit p^u l'assister, & l'avoit retiré du King's bench ou il avoit été 16 mois.

21. Samedi.

Gunn a diné chés moy.

22. Dimanche.

Je ne suis pas sorty. Le G^l Campbell, & le G^l Mc Lean avec le Baron & le Capit Fraser ont dinné chés moy. Lord Stopford, Mr Pena & le Maj: Murray mont fait visite.

23. Lundy.

Le Baron Regensfelt dinna chés moy, l'Etat des Pays Bas, & la situation present de L'Empire a été le sujet de la conversation.

24. Mardy.

Le Col: Small est venu me dire qu'il a finy le tout avec Rapilly qu'il a vue le G^l Clinton qui croit que la Guerre est inevitable. Il revient de Aix la Chapelle fait visite a C. Hatton & à Lord Amherst.

25. Mercredi.

Je fus au Levé et de la diné chés le Col: Marsh avec Ld Amherst, Sir J. Napier, le G^l Garth & Smith & le Col: Williamson.

Le Procureur de J^{as} Delancy m'apportera un soupéna p^r Lundy prochain.

15 [14]. *Saturday*. Was at St. Mary Axe; from there to the Club. The weather was bad. Spent the evening at home.

16 [15]. *Sunday*. Gave my coachman and footman new liveries. Captain Fraser came to show me the petition which Captain Macdonald intends to present to Lord Amherst.

Mr. George Davison, who left Quebec in October, arrived this morning and brought me letters from Dr. Mabane and Devos, dated the 1st of October.

My nephew [Devos] left here with Major Holland on the 1st of July.

17 [16]. *Monday*. Major Murray dined with me and gave me an idea of Mrs. Robertson's fortune, which is between £1,300 and £1,400 sterling a year.

18 [17]. *Tuesday*. Visited Mr. H. Davison, General Campbell, Edington, Molison, Sir James Napier, General Smith. Colonel Beverly Robinson called. I took from the large cellar: Madeira 6; Sherry 15; Port 33.

Mr. G. Davison called. He told me much good of my nephew Devos, and much ill of Smith, Grant, &c., &c.

19 [18] *Wednesday*. The Baron Regensfeld and Budé called, also Governor Franklin, who spoke to me of claims preferred against Government for wood cut on Lake Champlain by a certain Metcalfe, a great rebel, &c. Called on Major Murray, Mr. Inhubar (?) & Colonel Miranda, whom I find every day more interesting. Dined at Sir James Napier's with General Smith, Colonel Marsh, Dr. Adair. Lord Amherst who was obliged to go to the Theatre with the Court, was not there.

I was invited to dinner in eight days at Colonel Marsh's.

20 [19] *Thursday*. Was at Court. Dined at Lady Holderness's. Called on Madame de Nagle, and spent the evening at Colonel Goldsworthy's, played a rubber with his sister. Budé spoke to me of Mr. de Montmolin, on whom I must call to explain the situation of his relative in Quebec, who is a minister.

21 [20] *Friday*. Called on Lady Yonge. General Smith, Sir James Napier, the Baron, Colonel Small, and Mr. Adair dined with me.

I received a letter from my nephew, which informed me of the capture of Oetend and of the whole of Brabant, except Brussels, where there are 7,000 soldiers of the Empire. I asked Colonel Small to write Rapijje, that I would not interfere in his affairs, since his uncle, who was on the spot, had done all he could to assist him and had taken him out of King's Bench, where he had been for sixteen months.

21. *Saturday*. Gunn dined with me.

22. *Sunday*. Did not go out. General Campbell and General McLean, with the Baron and Captain Fraser dined with me. Lord Stopford, Mr. Péna and Major Murray called.

23. *Monday*. Baron Regensfeld called. The state of the Netherlands and the present situation of the Empire formed the subject of conversation.

24. *Tuesday*. Colonel Small came to tell me he had settled the whole with Rapijje. He had seen General Clinton who believes war to be inevitable. He is returned from Aix-la-Chapelle. Called on C. Hatton and Lord Amherst.

25. *Wednesday*. Was at the levée and then dined at Colonel Marsh's with Lord Amherst, Sir James Napier, Generals Garth and Smith and Colonel Williamson.

The attorney for James de Laney will bring me a subpoena for Monday next.

26. Joudy.

reçu la visite de Lt Col: Hotham du Major & son fils Mr Barrow m'est venu parler au sujet de mon proxy et nous sommes convenu de le renvoyer d'un terme qui dans janvier prochain, fait visite au Br Robinson le G^l Franklin & Moultry George Davison a dinné chés moy & ma dit les Postes ont rapporté cette année 7500 Livres de castor & 1600 martins, sans conter d'autres articles. Que les forges de St. Morisse ont beaucoup produit.—& que Law leur associé est un peu negligé dans leurs affaires, ne travaille jamais l'après midy et que Alex: D: son frère se plaint beaucoup.

Dinné chez le G^l Smith avec le Barron, le chev. Napier, Adair et le Baron off: Hessois.

La conversation tomba sur le différent qui avoit subsisté entre le Col: Abercromby et le G^l Coningham, ou je pus me convaincre combien on faisoit tort à la conduite du dernier.

28. Samedi.

Le G^l Robinson vint m'inviter p^r aller dîner chés lui. Le cap. Twiss m'est venu faire visite. Les deux Mess^{rs} Davison m'ont fait visite et m'ont paru un peu sérieux.

J'ay reçu un billet de M^{rs} Juge et Chandesex, procureaux de James Delancy qui m'avoient remis un soupéna, pour me dire qu'il n'étoit pas nécessaire que je parusse Lundy, puisque mon avocat avoit renvoyé la cause au Terme prochain qui sera en janvier.

29. Dimanche.

J'ay été avec le G^l Cragg visiter la Galerie de Tableaux de M. des Enfants qui de même que Mr Bourgeois ont été fort polis, et nous avons été satisfaits on ne peut pas plus. Il y a 12 chambres ou cabinets remplis de tableaux des meilleurs mattres nous en avons vu huit appartenant au Duc qui viennent de France tres bons. Mr Inhubar ma fait visite et me dit que l'Empereur fait tous lui même et que la Boheme et la hongroie comencent à remuer. Le Col: de Miranda a dinné chés moy et ma paru toujours plus interessant. Il voit beaucoup le G^l Clark et le G^l Halliwell.

30. Lundy.

Mon neveux a dejeuné avec moy et ma communiqué une Lettre de sa mere qui Lui dit que Mr Barton veut se charger de l'education du jeune Davon mais qu'elle veut faire cette dépense elle même et le passer chés un Ministre—promené et passé la soirée chés moy.

1^{er} Decembre, Mardy.

J'ay pris Harfort à mon service comme bouteiller et premier D^omestique et je Lui ay promis 35: guinées par année et sa nourriture sans qu'il aye rien d'autre à prétendre excepté en voyage ou je dois le traiter comme on a accoutumé de le faire suivant les endroits ou on se trouva. J'ay écrit au major Mathews. Le G^l McLean le Major Hunter, Major Benson et le Cap^e Frazier ont dinné chés moy. Hunter me paroît s'être donné beaucoup de pêne pour connoître la traite des Pelletries et les Pays d'enhaut, Frazier n'en a que des Idées superficielles.

2. Mercredi.

Fait un tour a la citté de la à la Secretaire des Guerres et chés le Col: Delancy et le Col: Morrison.

3. Joudy.

Été à la Cour la Rene qui fut fort gracieuse me dit qu'elle avoit vu mon portrait qui me rassembloit parfaitement. Dinné chés le G^l Robinson avec le G^e Smith le Maj. Chapman, le Col: Burton et deux off: de la marine, revenu à 9 heures.

4. Vendredy.

Fait une visite à Lady Holderness ou Madame Hotham est venu—été à la citté—renvoyé le frère de Rapillye qui me dit un mensonge, reçu des Perdrix blanches du Cap^t. Frazer.

5. Samedi.

Visité le Baron Alvensleben ou j'ay trouvé Kutzleben qui nous a dit la façon indigne dont le Landgrave l'a traité.

26. *Thursday.* Received visits from Lient. Colonel Hotham, Major and his son. Mr. Barrow came to speak to me about my proxy and we agreed to put it off to the term in January next. Called on Br. [Beverly?] Robinson, Generals Fracklin and Moultry. George Davison dined with me and told me the posts have this year returned 7,500 pounds of beaver, and 1,600 martins, without counting other articles; that the St. Maurice Forges have produced a great deal and that their partner Law is rather neglectful of their business, never works after noon and that his brother, Alexander Davison, complains greatly.

28. *Friday.* Dined at General Smith's with the Baron, Sir James Napier, Adair and the Baron, a Hessian officer.

The conversation turned on the differences which existed between Colonel Abercromby and General Cunningham, in which I felt convinced how great was the wrong done to the conduct of the latter.

28. *Saturday.* General Robertson came to invite me to dine with him on Thursday next. Adair breakfasted with me. Captain Twiss called. The two Messrs. Davison called, and seemed a little serious.

I received a note from Messrs. Judge and Chandesex (?), attorneys for James de Lancy, who had sent my subpoena, to say it was not necessary I should appear on Monday, as my advocate had postponed the case to the next term, which will be in January.

29. *Sunday.* Went with General Cragg [Craig] to visit M. des Enfants' gallery of paintings, who, as well as Mr. Bourgeois, was very polite, and we were satisfied; could not have been more so. There are twelve rooms or cabinets filled with paintings by the best masters. We saw eight belonging to the Duke which came from France—very good.

Mr. Inhubar called and told me that the Emperor does everything himself, and that Bohemia and Hungary begin to be disturbed. Colonel Miranda dined with me, and appears always more interesting. He sees a good deal of General Clark and General Halliwell.

30. *Monday.* My nephew breakfasted with me, and communicated to me a letter from his mother, which says that Mr. Burton wishes to take charge of the education of young Davon, but that she wishes to be at that expense herself, and to place him with a minister. Took a walk, and spent the evening at home.

December.

1. *Tuesday.* Took Harford into my service as butler and head servant, and promised him 35 guineas a year and his board, without having a claim to anything else, except when travelling, when I would treat him according to the custom of the places visited. Wrote to Major Mathews. General McLean, Major Hunter, Major Benson and Captain Fraser dined with me. Hunter seemed to have taken pains to acquaint himself with the fur trade and the upper countries. Fraser has only superficial ideas on the subject.

2. *Wednesday.* Took a turn to the city, then to the Secretary of War, to Colonel de Lancy's and Colonel Morrison's.

3. *Thursday.* Was at the Court. The Queen, who was very gracious, told me that she had seen my portrait, which resembled me perfectly. Dined at General Robertson's, with General Smith, Major Chapman, Colonel Burton and two naval officers. Home at 9 o'clock.

4. *Friday.* Visited Lady Holderness, where Mrs. Hotham called. Was at the city. Dismissed Rapijje's brother, who told me a lie. Received some white partridges from Captain Fraser.

5. *Saturday.* Visited the Baron Alvensleben, where I found Kutzleben, who told us of the unworthy manner in which the Landgrave has treated him.

Diné chez Lady Holderness avec la famille de Nagle le Baron et Budé, joué 4 Robers à la demy Guinée. J'ay gagné deux.

J'ay appris que le Baron Stiffen sera cassé la jambe a Tongre en tombant de cheval, on est tres mecontent en franse du Duc D'orléans, le Roy doit lui avoir dit qu'il avoit risqué de perdre la Tête & y facilittoit sa retraite dans ce paya.

6. D. manche.

Eté à Parsons Green avec mon neveux pour voir ses Enfants. Il m'a fait voir des Lettres qu'il avoit reçu de sa mere & de Mrs Barton au sujet de l'argt que M. Aubergeld a fait remettre à sa femme. Le Baron de Mulsburg et le B. Regensfeld avec le Col: de Miranda le G^l Moultry, Cap. Frazier, Col: Hunter & le Col: Kemble ont diné ches moy.

8. (7) Lundy.

J'ay parlé au chev. A. Campbell au sujet de Rapillye, dinné seul, passé la soirée ches le B. Nagell qui m'a appris la prise de Namur & d'Anvers par les patriotes Brabansons. J'ay reçu une Lettre de Horsfort qui s'étoit engagé ches moy comme Domestique depuis quelques jours & a qui j'avais donné permission d'aller ches Lui pour revenir aujourd'hui, &c. qui me dit qu'il a changé d'avis.

George Davisson ma dit que le C: Caldwell avoit une espee de promesse de succeder à Mills comme R^e General du Canada.

9. (8) Mardy.

Visité le Ba Alvensleben ou le G^l Paaly est survenu & nous a dit ce qui s'étoit passé dans l'assemblée Generale au sujet de la Corse. Gentilly est party pour Paris d'où il passera en Canada. Le B. Regensfeld a dinné ches moy, il pense fort sensément sur le Conte de son maitre.

10. (9) Mercredy.

Mon neveux qui est vonu dejeuner avec moy ma fait voir des Lettres qu'il a reçu de M. Devos au sujet de ses prétentions en Hollande.

Eté à la Cour, le Levé étoit nombreux et le Roy se porte à merveille. Le Col: Marsh a dinné ches moy. Il est partisan du chev. Howe—qui a dit Il toujours fait de fort bonnes dispositions & n'a jamais su profiter de ses avantages.

10. Jendy.

Je suis allé à St. Mary Axe—donné un ordre post écrit à mon neveux, de papiers sur le Conte des deux Enfants de Madame Auberg— auraiet 250 L. St. dont je leurs fait present, mais qu'il doit garder entre ses mains en leur en payant au cinq pour cent.

Tiré par mon Conte ches les Banquiers

250 L. Sterling.

B. 220 en billes, 80 g^s

B. 8 g^s & 8 St.

B. 20 en bt & 10 g^s

& 8 sh. Total 343-16—

Le Docteur Adair a dinné ches moy—passé la soirée ches Mad. de Nagle.

11. Vendredy.

fait visite à Ld Dover, L'Eveque de Herefort, Sir R^t Pigot, Capt Twiss, G^l Morisson G^l Davisson a dinné ches moy, fait visite à Lady Dover.

J'ay donné cinq guinées a M. le Col: Small pour qu'il les donne a Rapillye qui est dans le Fleet Prison.

12. Samedy.

Fait visite à Lord Heathfield avec le Capit. Prevost mais il n'étoit pas visible. Son domestique nous dit qu'il étoit plus mal—Mais avons beaucoup parlé de Gibraltar. O'Hara se conduit très bien.

13. Dimanche.

J'ay été avec le Col: Small pr parler à l'oncle de Rapillye qui nous la fait connoître comme un mauvais sujet—pour loquel il avoit deponcé 180 L. St. qu'il ne vouloit plus entendre parler de lui, & qu'il nous conseilait de nous en pas mêler, mais que si son frere voulait retourner à N. Y. qu'il l'assisteroit avec plaisir.

Dined at Lady Holderness's with the Nagle family, the Baron and Budé. Played four rubbers at half a guinea; won two.

Learned that the Baron Stiffen broke his leg at Tongre by falling from his horse. There is great dissatisfaction in France with the Duke of Orleans. The King told him he had risked the loss of his head, and facilitated his retreat to this country.

6. *Sunday*. Went to Parson's Green with my nephew to see his children. He showed me letters he had received from his mother and from Mrs. Barton respecting the money Mr. Aubergeld had remitted to his wife. Baron de Mulsburg and Baron Regensfeld, with Colonel Miranda, General Moultry, Captain Fraser, Colonel Hunter and Colonel Kemble dined with me.

8. [7]. *Monday*. Spoke to Sir A. Campbell respecting Rapiljie. Dined alone and spent the evening with Baron Nagell, who informed me of the taking of Namur and Antwerp by the patriots of Brabant. I received a letter from Horsford, who had engaged some days ago as my servant, and to whom I had given leave to go home to return to-day, &c., telling me he had changed his mind.

9. [8]. *Tuesday*. Visited Baron Alvensleben. General Paoli dropped in and told us what had passed in the General Assembly on the subject of Corsica. Gentilly has left for Paris, whence he will cross to Canada. Baron Regensfeld dined with me. He thinks very sensibly on the subject of his master.

10. [9]. *Wednesday*. My nephew, who came to breakfast with me, showed me letters which he has received from Mr. Devos on the subject of his claims in Holland.

Went to Court; the levée was full and the King wonderfully well. Colonel Marsh dined with me. He is a partisan of Sir William Howe, who said he always made very good arrangements, but never knew how to profit by his advantages.

10. *Thursday*. Went to St. Mary Axe; gave my nephew a written order for papers concerning Madame Auberg's two children. They are to have £350 sterling, of which I make them a present, but he is to keep it in his hands, paying them five per cent. for it.

Drew on my bank account.

£ 250 sterling.
 220 in bills, 80 guineas.
 8 guineas and £8.
 20 in bills and 10 guineas.
 8 shillings. Total £343. 16. 0.

Dr. Adair dined with me. Spent the evening at Madame Naglé's.

11. *Friday*. Called on Lord Dover, the Bishop of Hereford. Napier, Sir R. Pigot, Captain Twiss, General Morrison, George Davison dined with me. Visited Lady Dover.

Gave five guineas to Colonel Small to be given to Rapiljie, who is in Fleet Prison.

12. *Saturday*. Visited Lord Heathfield with Captain Prevost, but he was not visible; the servant said he was worse. We spoke a good deal about Gibraltar. O'Hara behaved very well.

13. *Sunday*. Went with Colonel Small to speak to Rapiljie's uncle, who let us know what a scamp he was, for whom he had spent £180; that he wanted to hear nothing more about him, and that he advised us not to mix up in the business, but that if his brother wanted to return to New York he would help him with pleasure.

14. Lundy.

J'ay reçu quelques visites et ne suis point sorty.

15. Mardy.

J'ay reçu de Lettres du Canada par Mr Cragy [Craigie] ou on me donne de bonnes nouvelles de mon neveux De Vos, que j'ay été communiqué à mon neveux Anthoine. Il me dit qu'il devoit arriver un expres du Brabant, qui annonce la prise de Bruxelles, reçu une Lettre de M. le Banderet Christen.

16. Mercredy.

Cregy [Craigie] m'est venu faire visite. J'ay été chez le Col: Hunter que je n'ay point trouvé, chez Mad^e Davisson, Dinné chez le Baron Alvensleben avec le Conte Frere, le Baron Alvensleben, le Conte Saxon, le G. Morisson G^l Praaly, Ainsley & 5 autres. Il a néigé aujourd'huy pour la première fois.

17. Jedy.

Été à la Cour qui n'étoit pas nombreuse. J'y ay vu Lord Heathfield et Lord Fiffe, à que je dois faire visite de même qu'au G.

Le Col: Hunter & Mr Cragy [Craigie] ont dinné chez moy. Mess^{rs} Davisson sont venus après diné. Les affaires du Canada sont venues sur le Tapis et j'ay pu comprendre qu'il n'y a personne qui veuille se presenter pour supporter les interets de la Province, & à moins que Davisson ne fasse agir quelques membres du Parlem^t les choses iront fort mal.

Le Col: Hunter a parlé aux agents, au sujet de la Lettre du Col: Harris. Davisson me dit que le Père Robeau est encore vivant.

18. Vendredy.

reçu la visite de l'Eveque de Herefort—fait visite à Lord Fiffe [Fife] Mad. McLean Budé, Lady Fausset, passé chez les agents qui m'est dit que la proposition que le Col: Harris avait faite étoit souvent arrivée concernant l'habillem^t et qu'ils m'informeront par la suite de qu'il conviendrait de faire à cet égard et qu'il savoit bien que je n'ay paraisse [paresse ?] en rien. Je leur ay dit que j'étois prêt d'acheter une compagnie pour mon neveux DeVos & ils l'ont mis en notte. Le Major Mathews n'a pas voulu que j'achetasse pour son neveux. passé la soirée chez Mad^e de Nagle ou le Doct. Parker.

19. Samedy.

fait visite à Mad. de Saumaire & a M. de Miranda.

Dinné chez M. Davisson avec Nepean & le Major son frère, le beau pere la belle mere et la sœur de Davisson, Mad. Marton et sa fille & le Docteur. Joué au whist, & revenu à 11 heures on fit venir les deux enfants qui parurent faire plaisir au Grand Pere &c.

20^e Dimanche.

Visité ma cave de service dans le Bine

N^o 7 Port 9; n^o 8. Hermitage 4; n^o 9 Bourgogne vieux 2; dt Champ. blanc 3; dt Champ rouge ficelle 2; n^o 17. Sidre 3; en haut Muscat 2; Suisse 3.

Jacque Holland arrivé de Québec, & ma apporté des Lettres de son Père, du Mahan, & de mon neveux j'ay été sur le champ parlé à Nepean qui m'a promis de faire tout ce qu'il pourroit en faveur de Holland.

21. Lundy.

le Lt Col: Hunter est venu prendre conger.

Le Major Jessop est venu me dire que son fils part p^r N. York. Mon neveux ma fait connoître les intrigues de son cousin avec Lady Massarene qui est une mégère &c. Que le Prince Edward a payé la moitié de ce qu'il devoit à M. Bois de la Tour et qu'il devoit aller à Gibraltar en Garnisson.

Que M. Morisson [Morris] est fort pressant pour avoir une reponse et qu'il ignore si la dem^l voudra accepter.

Mon Domestique Frederic Ottonin natif de Bole à 6 lieu d'Yverdun & 2 de Neufschul est entré à mon service le 21^e Decembre 1789 & je Lui ay promis 30 guinées par année outre sa nourriture sans aucun autre profit.

Il y a 50 Douzeins de Bouteil^ls Vuide sous l'escalier de la cuisine.

14. *Monday.* Received a few visits and did not go out.

15. *Tuesday.* Received letters from Canada by Mr. Craigie, giving good news of my nephew Devos, which I communicated to my nephew Anthony. He tells me that an express arrived from Brabant announcing the taking of Brussels. Received a letter from Banderet Christen.

16. *Wednesday.* Craigie came to call. Went to Colonel Hunter's, but did not find him in, and at Mrs. Davison. Dined at Baron Alvensleben's with Count Frere, the Baron Alvensleben [Regensfeld ?] the Count Saxon, General Morrison, General Paoli, Ainsley and five others. It snowed to-day for the first time.

17. *Thursday.* Was at Court, which was not well attended. Saw there Lord Heathfield and Lord Fife, whom I should visit as also G.

Colonel Hunter and Mr. Craigie dined with me. Messrs. Davison came after dinner. The affairs of Canada came on the carpet, and I could understand that there was no one who would present himself to support the interests of the Province, and unless Davison get some of the members of Parliament to act, things will go badly.

Colonel Hunter has spoken to the agents on the subject of the letter from Colonel Harris.

Davison told me that Father Roubaud is still alive.

18. *Friday.* Had a visit from the Bishop of Hereford. Paid visits to Lord Fife, Mrs. McLean, Budé, Lady Fawcett. Called on the agents, who told me that the proposition Colonel Harris had often made concerning the clothing had arrived and that they would inform me subsequently what they would agree to do respecting it, and that he knew well I was never idle. I told them that I was ready to purchase a company for my nephew Devos, of which they made a note. Major Mathews did not wish me to purchase for his nephew. Spent the evening at Madame de Naglés, where was Dr. Parker.

19. *Saturday.* Visited Madame de Saumaire and Mr. de Miranda.

Dined at Davison's with Mr. Nepean and his brother the Major, Davison's father and mother-in-law and sister, Mrs. Morton and her daughter and the Doctor. Played at whist and home at 11. The two children were bought in, who seemed to give pleasure to the grandfather, &c.

20. *Sunday.* Visited my wine cellar, in bin No. 7, Port 8; 8, Hermitage 4; 9, Old Burgundy 2; White Champagne 3; Red Champagne (wired) 2; 17, Cider 3; in the upper part, Muscat 2; Swiss 3.

James Holland arrived from Quebec and brought me letters from his father, from Mabane and from my nephew. I went immediately to speak to Nepean, who promised to do all he could in Holland's favour.

21. *Monday.* Lieutenant Colonel Hunter came to take leave.

Major Jessup came to tell me that his son is leaving for New York. My nephew informed me of the intrigue of his cousin with Lady Massarene who is a Mægera, &c. That Prince Edward has paid half of what he owed to M. Bois de la Tour and that he is to go into garrison at Gibraltar; that Mr. Morrison [Morris] is very urgent for an answer and that he does not know if the young lady will accept.

My servant, Frederic Ottonin, a native of Bale, 6 leagues from Yverdun and two from Neufchatel, entered my service the 21st December, 1789, and I promised him 30 guineas a year and board, but no other profit.

There are 50 dozen empty bottles under the kitchen stair.

22. Mardy.

fait visite à l'Evêque d'Herefort et au Baron Alvensleben.

Dinné chez Sir Harry Parker avec l'admiral son frere, Sr John Trevillon & autres messieurs. Nous avons tablé longtemps & bu d'excellent vin.

23. Mercredy.

Promené à pied. Holland a dinné chez moy.

24. Jendy.

Lord Dover ma fait visite, & a été fort poly. Il ma remercié des attentions que j'avois eus p^r Milady, à la Cour.

fait visite à Lord Amherst. Milady estoit sortie. Il ma dit qu'il feroit tout ce qu'il pourroit p^r le jeune Holland mais que Lord Dorchester auroit du écrire.

Lord Dover est fort pique contre le Major Holland à cause de la conduite qu'il a eu avec sa premiere femme.

G. Davison est venu me prier d'aller diner chez son frere avec Cregy, pour examiner le pamphlet que le docteur [Mabane ?] a fait pour repondre à ce:ui que Lambourne [Lymburner] et ses constituents ont publié icy. Il ma paru tres bien escrit et propre à être publié des que les affaires du Canada paraîtront en Parlement

On a beaucoup parlé après dinné des affaires du Canada, on blame sans reserve le Gov. le chef de justice, Grant, Finlay &c.

On se plaint beaucoup du chef [Sir John] Johnson, peu propre à conduire les Indiens, sans qu'on puisse trouver personne p^r Lui Substituer.

25. Vendredy.

Visité le G^l Smith, le chev. Napier, le chev. Pigot, qui ma fait voir la requette qu'il a presenté au Roi qui est fort bien ecrite.

Été chez le Bⁿ Alvensleben qui avoit reçu des lettres de Vienne, ou on lui marque que l'Empereur avoit été malade d'une Indigestion.

Le Gen^l Rainsmouth a été nommé pour comander en Brabant.

L'Empereur leve beaucoup de Troupes dans ses Etats pour y envoyer. Les Peuples de la Moravi et de la Boheme sont tres mecontents. Il y a une Action entre les Troupes Asiatiques et les Turcks d'Europe, qui vouloient empêcher les premiers de retourner chez Eux selon leur Coutume c'est ce qui a procuré le dernier avantage que le Prince de Cobourg a eue contre les Turcks.

On ma dit que le General Massay menaçoit d'entrer dans l'opposition en Ireland.

Mon neveux a passé chez moy a 9 heure du soir et ma apporté son conte de l'année, ou je me trouve plus riche que je ne contoit.

Il ma parlé des inclinations de sa fille Saly, Comme d'une chose qu'il approuveroit & qui même paroisoit Lui faire plaisir.

26. Xre

Été à la grande cave, d'ou j'ay sorty

12. B. Madere

27 Cheres

41 Bout. Port.

mis dans celle des Domestique

du port 15

Madere 6

Cheres

J'ai tiré une caraffe de chacune des Pipes de Madere qu'on a trouvé etre d'un bon vin.

Le G^l Marley, Sir James Napier, le Col. McArthur, le C Small, le Capt. Frasier & le jeune Holland ont dinné chez moy, tout a été bon.

27. Dimanche.

J'ai visité le Baron Alvensleben où j'ay trouvé le G^l Pauly qui se trouva assez embarrassé sur les affaires de la Corée; Lord Fitzwilliam qui paroît un fort aimable est entré et paroît croire que les affaires en France seront longtemps avant de se consolider, & que l'Empereur sera bien longtemps avant que d'avoir soumis le Brabant. Le Col. Miranda a dinné chez moy. Il me paroît toujours mieux instruit & plus interessant. Il me dit que la conduite du Duc d'Orléans estoit connue et abominée en France.

22. *Tuesday.* Visited the Bishop of Hereford and Baron Alvensleben.

Dined at Sir Harry Parker's with his brother the Admiral, Sir John Trevelyan and three other gentlemen. We sat a long time at table and drank excellent wine.

23. *Wednesday.* Took a walk. Holland dined with me.

24. *Thursday.* Lord Dover paid me a visit and was very polite. He thanked me for the attention I had paid to Her Ladyship at Court.

Visited Lord Amberst; Her Ladyship had gone out. He said he would do all he could for young Holland but that Lord Dorchester would have to write.

Lord Dover is displeas'd with Holland on account of his conduct to his first wife.

G. [George] Davison came to ask me to dine at his brother's with Craigie to examine the pamphlet which the Doctor [Mabane?] has written to answer that which Lambourne [Lymburner] and his constituents have published here. It seem'd to me very well written and suitable for publication when the affairs of Canada shall be discuss'd in Parliament.

A good deal was said after dinner respecting the affairs of Canada, and the Governor, the chief justice, Grant, Finlay, &c., were found fault with without reserve.

Much complaint was made of Sir John Johnson, as not being well suited to manage the Indians, but no one could be found to take his place.

25. *Friday.* Visited General Smith, Sir James Napier, Sir Robert Pigot, who showed me the petition (very well written) which he presented to the King.

Was at Baron Alvensleben's, who had received letters from Vienna, informing him that the Emperor had been suffering from indigestion.

General Rainsmouth was appointed to command in Brabant. The Emperor is raising a large body of troops to send there. The populations of Moravia and Bohemia are much dissatisfied. There was an action between the Asiatic troops and the Turks of Europe, who wished to prevent the former from returning home as is their custom, which secured the last advantage the Prince of Cobourg had against the Turks.

I have been told that General Massey threatens to go into opposition in Ireland.

My nephew called at nine in the evening and brought my account for the year, by which I find myself richer than I had calculated.

He spoke to me of his daughter Sally's inclinations, as something he would approve of, and which even appear'd to give him pleasure.

26. *December.* Was at the large cellar, from which I took out 12 bottles Madeira, 27 of sherry, 41 bottles of Port. Put in that of the servants, of Port 15, of Madeira 6, of Sherry—. I drew a decanter full from each of the pipes of Madeira, which I found to be a good wine.

General Marley, Sir James Napier, Colonel McArthur, Colonel Small, Captain Fraser and young Holland dined with me; every thing was good.

27. *Sunday.* Visited Baron Alvensleben, with whom I found General Paoli, who was considerably perplexed about the affairs of Corsica. Lord Fitzwilliam, who appears to be very amiable, seems to believe that affairs in France will be a long time of settling down and that the Emperor would be a long time before he subdued Brabant. Colonel Miranda dined with me. He seems to me still better informed and more interesting. He told me that the conduct of the Duke of Orleans was known and abominated in France.

Nous avons parlé sur les dettes et les ressources de l'Angleterre qu'il paroît avoir étudié. Sur les mines d'or qui furent découvertes par un Deserteur Espagnole il y a peu d'années, & qui ont tarry.

Il croit qu'il reste peu d'or ou d'argent en Amerique, & qu'ils envoient tout en Espagne pour en recevoir leurs besoins. Il loue la beauté du climat, et la Fertilité des terres, comme un paradis terrestre, Il abomine l'administration de ce Pays comme celui de l'Espagne.

Lundy le 28

Le G^l McLean a été chez moy avec le Col. Kemble qui m'a apporté le journal de son expédition de Nicaragua.

Été à St. Mary Axe, de la chez l'Éveque de Herefort.

Dinné chez Ld Amherst avec le G^l Massey, Garth, Col. Campbell, Sr James Napier, Small, McArthur & Col. Johnson. J'ay eu une occasion de parler à mi Lord des raisons qui ont fait du tort G^l Coningham occasioné par la jalousie de Major Abercromby.

Passé la soirée chez moi.

29. Mardy.

Écrit une lettre au G^l Budé, George Davisson m'est venu lire le plan que les juges du Canada presenteront à Lord Dorchester au sujet des plaintes qui avoient été portées contre Bux, par Monok, & le chef de justice Smith. C'est une piece très bien écrite et qu'il convient de faire imprimer.

Le Major Mathews est arrivé apres dinné nous avons passé la soirée ensemble.

30. Mardy. (Mercredi)

Été au Levé qui n'étoit pas nombreux, de la chez le Baron Alvensleben, Mathews et Alexandre Davisson ont dinné chez moy.

31. Jedy.

Été à St. Mary Axe. Mon neveux me fait voir une Lettre de sa mere et de Messrs Tullisker. Il m'a parlé de Sally, et des differents qui subsiste entre Elle et M^d

Mathews Frazier & Cregy ont dinné chez moy. J'ay donné de nouvel année à —
Fevrier 9 Mardi

promené et fait des Visittes. Diné au club americain passé la soirée chez Marsh avec Goldaworthy & sa Sœur M. le Guisardien & sa femme. Mad. le Col. Williamson, Ballfour, le Doct. Wilkin Budé y étoit attendu avec Philipson & d'autres Personnes mais ne parurent pas. Marsh en paroissoit piqué.

10. Mercredi.

Je devois me rendre à Westminster à 10 heures, mais mon neveux vint me dire qu'il suffirent que je m'y rendisse à 1 heure. J'y trouvay le juge Johns, qui est parfaitement instruit de l'affair que j'ay avec J. Delancy, et meme beaucoup mieux que moy. Il sera une tres bonne evidence. Le frere de Revington s'y trouva aussi avec d'autres Personnes; nous restames jusqu'a 4 heures, après quoy on vint nous dire, que le procès ne pouvoit se juger que Samedy prochain a 9 heures du matin. Mon neveux a dinné chez moy.

11. Mercredi.

Visitté le Baron Alvensleben ou j'ay rencontré l'admiral Forbes & Budé.

Jedy.

Dinné chez le Capt. Kenedy avec Lord Castels [Cassils] Sterling, Campbell, 2 mess^{rs} que je ne connois pas—revenu a 9 heures & demy passé la soirée chez moy.

M. Cregy m'est venu dire qu'il partiroit demain p^r L'Ecosse, que les affaires du Canada ne paroistroient en Parlem^t que dans le Courant de Mars, Davisson est fâché.

13. [12] Vendredy.

Davisson ma apporté deux des brochures d'observation des juges de Quebec. J'ay été chez Corre & mon neveux de la au club.

14. [13] Samedy.

Je fus a 9 heures du matin à la Cour à Westminster ou mon différent avec James Delancy a été jugé par le juge qui a dessidé en ma faveur avec un sheling de Damage ce qui emporte [les frais?] Budé—Gel. [Fawcett—M.—M^r le G^l Stevenson—
été au club]

We spoke of the debts and resources of England, which he has apparently studied; on the gold mines discovered by a Spanish deserter a few years ago and which have become exhausted.

He believes there remains little gold or silver in America and that they send the whole to Spain to provide for their wants. He praises the beauty of the climate and the fertility of the soil as a terrestrial paradise. He abominates the administration of that country, as that of Spain.

28. *Monday*. General McLean called with Colonel Kemble, who brought me the journal of his expedition to Nicaragua.

Was at St. Mary Axe; thence to the Bishop of Hereford's.

Dined at Lord Amherst's, with General Massey, Garth, Colonel Campbell, Sir James Napier, Small, McArthur and Colonel Johnson. I had an opportunity to speak to His Lordship of the reasons which led to the wrong done to General Cunningham, occasioned by Major Abercromby's jealousy.

29. *Tuesday*. Wrote a letter to General Budé. George Davison came to read me the draught of the answer which the Canadian Judges will present to Lord Dorchester on the subject of the complaints against them by Monk and Chief Justice Smith. It is a very well written document and suitable for printing.

Major Mathews arrived after dinner; we spent the evening together.

30. *Tuesday* [Wednesday]. Was at the levée, which was not well attended; thence to Baron Alvensleben. Mathews and Alexander Davison dined with me.

31. *Thursday*. Was at St. Mary Axe. My nephew showed me a letter from his mother and from Messrs. Tullisker. He spoke to me of Sally and of the differences between her and Mrs. ———

Mathews, Fraser and Craigie dined with me. I gave new year gifts to ———

9. February. *Tuesday*. Walked and paid visits. Dined at the American Club. Spent the evening at Marsh's with Goldsworthy and his sister, M. le Guisfardien and his wife, Mrs. ———, Colonel Williamson, Balfour, Dr. Wilkin, Budé with Philipson and others was expected, but did not appear. Marsh seemed annoyed.

10. *Wednesday*. I was to go to Westminster at 10 o'clock, but my nephew came to say that it would do if I went at one o'clock. I found Judge Johns there, who is perfectly acquainted with the business I have with J. deLancy, much better, even, than I am. He will be a very good witness. Rivington's brother was also there with other persons. We remained till 4 o'clock, after which we were told the case would not be heard till Saturday next at 9 o'clock. My nephew dined with me.

11. *Wednesday* [Thursday]. Visited Baron Alvensleben, where I met Admiral Forbes and Budé.

Dined at Captain Kennedy's with Lord Castels [Cassilis] Sterling, Campbell, two gentlemen whom I did not know. Home at half past nine, where I spent the evening.

Mr. Craigie came to tell me he leaves for Scotland to-morrow; that the affairs of Canada will not be before Parliament till some time in March, and that Davison is annoyed at it.

13 [12]. *Friday*. Davison brought me two pamphlets containing observations of the Quebec Judges. Called on Coore and my nephew and then to the Club.

14 [13.] *Saturday*. At nine o'clock in the morning was at the Court at Westminster, where my dispute with James deLancy was settled by the judge deciding in my favor with a shilling which carries [costs]. Budé, General Fawcett, Mr. General Stevenson; was at the Club.

16. *Mardy.*

J'ay été à la City ou mon neveux ma lu la lettre qu'il a écrit à sa mere, que j'ay trouvée fort bonne de même que celle qu'il a écrite à M. Bartram.

Été chez Mr Christie ou j'ay trouvé M. Davisson et celui qui est venu avec moy. Je les ay invité à diner avec M. de Seranville pr Samedi. dinné chez le G^l Milton avec le G^l Picton, Adair, un M. le Major Chapman du 23 & Cap. Kenedy. passé la soirée chez moy—étant trop tard pour aller chez Mr Williamson.

17. *Mercredy.*

M. de Seranville qui ma parut en mauvais equipage est venu chez moy, nous avons beaucoup parlé de la revolution arrivée en France. Il estoit alors à Paris.

promené et dinné chez moy avec les deux Hollands l'airé m'a dit que le projet dans lequel on contoit de l'employer n'étoit pas encore dessidé. Je lui ai conseillé de ne pas trop se jeter en avant.

passé la soirée chez Lady Amherst ou Il y avoit beaucoup de monde, gagné 3 Roburs et perdu le 3^{me} revenu apres 11 heures.

18 *Jedy.*

J'ay fait visite à l'adm. Berington, le Capt. Pringle Md. de Guisfardien, le Mj. Benson, Rigaud, Moultrie, le Maj. Green, le G^l et Mad. Trapaud, Mad. Prevost et le Col. Miranda dinné chez Lady Holderness avec Mad^e Gelefenck et sa nièce. Budé, et le Baron passé la soirée chez Mad. Morison, ou j'ay joué un Robert avec Mr et M^{rs} et M. Adams. revenu à 10½.

19 *Vendredy.*

J'ay sorty de la Grande Cave,

20 bout. Maderé ;

15 " Cheres ;

42 " Port ;

5 " petit Bourg.

Les ressort de derrière ma voiture s'est cassé.

Promené au Parck, et dans la Ville avec le Capt. Frazier, qui ma dit qu'il avoit reçu ordre de continuer de recruter et de completer le regim^t aussi tot que possible.

Mr Adair, le Capt. Frazier le Baron Regensfeld et son fils ont dinné chez moy. Celui cy part ce soir pr Portsmouth, je Lui envoyaye une lettre pr Ohara.

20. *Samedy.*

J'ay été à St. Mary Axe. Mess^{rs} Davisson et Christie avec M. de Saranville et Mathews ont dinné chez moy, ou nous sommes restés jusques a 10 heures—l'Ingeniuité de M Dunne nous a beaucoup amusé.

21. *Dimanche.*

Mathews et Holland ont dinné chez moy.

Lundy 22.

Été à St. Mary Axe. Visité Sir J. Napier, le chev. Passerelle et Sir John Sebright, dinné chez moy et allé au concert du Baron A. ou il y avoit beaucoup de monde.

Mardy 23.

J'étois President du club qui estoit nombreux. J'alay de la chez le chev. Sir G. Yong ou j'ay passé la soirée.

Mercredy 24.

Été chez Sir James Napier qui n'est pas encore retably—de la à St. Mary Axe ou j'ay trouvé mon neveux un peu mieux. Il ma fait voir une Lettre de sa mere, dinné chez moy avec Mathews. Le Lt Coutien [Couture] m'est venu, les desseins qu'il avoit de demander un petit Gouvernem^t Je l'a dissuadé.

Mr Tremblay ma dit plusieurs nouvelles de France, ou il paroît qu'il y a toujours beaucoup de confusion.

Jedy 25.

Été à la Cour qui n'étoit pas fort nombreux. La Rene me demanda si ma^maison en Suisse estoit finie, je lui reponday que non que je contois de l'aller finir au printemps. Elle me dit si je contois donc de repartir au printemps. Le Roy me parla avec beaucoup de bonté, et me dit si je savois que Ld Hisfield [Heathfield?]

16. *Tuesday*. Was at the city, where my nephew read me the letter he has written to his mother, which I thought very good, as was that which he has written to Mr. Bartram.

Was at Mr. Christie's where I found Mr. Davison and the one who came with me. I invited them to dinner with M. Seranville for Saturday. Dined at General Milton's with General Picton, Adair, a Mr. Major Chapman of the 23rd and Captain Kennedy. Spent the evening at home being too late to go to Mr. Williamson's.

17. *Wednesday*. M. de Seranville, who looked shabby, called. We spoke a good deal of the revolution in France. He was then in Paris.

Took a walk and dined at home with the two Hollands. The eldest told me that the plan on which it was proposed he should be employed was not decided on. I advised him not to push himself forward too much.

Spent the evening at Lady Amherst, where there was a large company. Won two rubbers and lost the third. Went home after eleven.

18. *Thursday*. Visited Admiral Barrington, Captain Pringle, Madame de Guisardien, Major Benson, Rigaud, Moultrie, Major Green, General and Mrs. Trapaud, Mrs. Prevost and Colonel Miranda. Dined at Lady Holderness's, with Madame Gelefeuck and her niece, Budé and the Baron. Spent the evening at Mrs. Morrison's, where I played a rubber with Mr. and Mrs. and Mr. Adama. Home at half past ten.

19. *Friday*. Took from the large cellar, 20 bottles madeira; 15 of sherry; 42 of port; 5 of petit bourg.

The hind spring of my carriage is broken.

Walked in the Park and in town with Captain Fraser, who told me he had received orders to continue recruiting and to complete the regiment as soon as possible.

Mr. Adair, Captain Fraser, Baron Regensfeld and his son dined with me. The latter leaves this evening for Portsmouth. I sent a letter by him to O'Hara.

20. *Saturday*. Was at St. Mary Axe. Messrs. Davison and Christie, with M. de Seranville and Mathews dined with me, where we remained till 10 o'clock. Mr. Dunn's ingenuity greatly amused us.

21. *Sunday*. Mathews and Holland dined with me.

22. *Monday*. Was at St. Mary Axe. Visited Sir James Napier, Chevalier Passerelle and Sir John Scbright. Dined at home and went to Baron Alvensleben's concert, which was well attended.

23. *Tuesday*. Was president of the Club, which was numerously attended. From there I went to Sir George Yonge's, where I spent the evening.

24. *Wednesday*. Was at Sir James Napier's, who is not yet fully recovered. From there to St. Mary Axe, where I found my nephew a little better. He showed me a letter from his mother. Dined at home with Mathews. Lieut. Coutieu [Couture] called. I dissuaded him from design to ask for a small government.

Mr. Tremblay gave me much news from France, in which it appears there is still a great deal of confusion.

25. *Thursday*. Was at Court, which was not very full. The Queen asked me if my house in Switzerland were finished. I answered no, but I thought of having it finished in spring. She asked me if I thought, then, of going off again in spring. The King spoke to me very kindly and said, did I know that Lord Hisfield [Heathfield] was about to be married? I answered that I could not believe it, but he

alloit se marier Je Lui repondis que je ne pouvois pas le croire, mais il m'asura que la chose étoit certaine et en rit beaucoup. Lord Courtown et le G. Ainsley me l'assura aussi, me disant que la famille en étoit au desespoir et surtout le fils.

www.libtool.com. Vendredy 26.

Dinné chez le general Patisson, avec M. Montroye Md & M. Williamson Col : Croxly, de Guisardier & Marsh. Joue deux Robers & revenu après 1 heure.

Samedy 27.

Promené avec le G^l Smith, été chez le ferblantier, de la chez Duboak, Libraire Gerard Street & ensuite chez un Allemand ou nous avons acheté chacun un jambon, des feves & des Lentilles. Il demeure dans la maison qui fait le coin de Marybonne et de Chopard Streets.

Dimanche 28.

fait visite à Davison avec Mathews, de la à St. Mary Axe ou mon neveux ma communiqué la Lettre qu'il a reçu des Messieurs Tulkar, qui Lui ont envoyé une Lettre de change de 1,000 L. St. pour le conte de M. Davos, Il m'a fait voir en même temps les Lettres qu'il leur avoit écrites de même qu'à M^{rs} Bertram par ou il le prie de se charger de la correspondance de la famille, ne Leur convenant pas de correspondre avec des Femmes. l'idée qu'il a eu de passer le plus jeune des Davos en Hollande ma paru fort juste. fait un Tour au Park, ou il y avoit beaucoup de monde.

Mon neveux est venu dinné chez moy.

Landy 1^{re} Mars.

fait visite au Chev : Napier & au Baron A. qui ma donne les nouvelles de Vienne, été chez Mad^e Prevost qui étoit à sa toilette, de la chez le Capt. Prescott & le Col : Polier. Adair & le D. Baar [Barr] ont dinné chez moy, avec Mathews. Été au Concert du Baron fait visite le matin au Col : Miranda qui me paroît tous les jours plus intéressant. Il me dit que M. Andriasy avait une pension de l'Empereur p^r voyager & s'instruire sur la chimie et l'histoire naturelle.

Mardy 2.

Le Major Mathews ma remis plusieurs papiers concernant les Effets dont ils ont disposé pour mon conte à Québec, Il me dit que Genevay a encore 40 & quelques Livres à moy du provenu de Wagren (?) que a Vendre je Lui ay fait dire de garder cet argent pour mon conte afin d'assister le jeune Collins qui est en apprentissage chez un menuisier à Montréal. Le Major ma remis 31. 15 St. qu'il avoit reçu de Mr Ainsley pour mon conte, de même que deux reçues l'un de 20 et l'autre de dix livres que Mr Ainsley avoit payé en charité par mon ordre.

Le Major part aujourd'hui pour joindre son Regimt.

Mercredi le 3.

J'ay été à la maison des Indes p^r donner ma voix à Mr Pardoe, Été au levé qui étoit assés nombreux. Le Roy ma parlé de Lord Heathfield comme s'il avoit cru que je Lui aurois pu faire changer la resolution de se marrier. Morison ma parlé sur l'habillem^t qu'il prétend de mon Batt :

Lord Sydney ma dit la resolution prise dans l'assemblée nationale de France pour egaliser tous les rangs des citoyens.

fait visite à Mad^e. de Nagle, Morison & Patisson. Été au clob, ou le Baron ma appris la mort de l'Empereur p^r certain. revenu à 10 heures. Le Domestique est venu m'offrir de servir p^r 3 ou 4 mois p^r savoir si nous pouvions nous convenir. Celui du G^l Polier ma apporté une Lettre de mon neveux & ma offert ses services de meme que ceux de son camarade tous deux ayant bonne façon.

Jedy 4.

J'ay averty mon Domestique Ottonin que je n'avois plus besoin de son service & celui de M. Ainsley est entré chez moy par essay. Été à la cour. Dinné chez Lord Sydney presque en famille—passé la soirée chez Lady Amherst ou il y avoit beaucoup de monde—revenu à 11. heure.

Vendredy, 5.

Dinné chez G^l Ainsley avec Madame & M^{rs} Sa sœur, Mr Hamilton un officier de vaisseau Mr Eddington & le Major Gunn, joue trois Robers & revenu à 11 heures. J'ay été fort enrhumé tout le jour.

assured me it was certain, and laughed a good deal at it. Lord Courtown and General Ainsley also assured me of it, saying that the family were in despair, especially the son.

26. *Friday.* Dined at General Paterson's, with Mr. Montrose, Mr. and Mrs. Williamson, Colonel Crossley, de Guisardier and Marsh. Played two rubbers and returned home after one o'clock.

27. *Saturday.* Took a walk with General Smith; went to the tinsmith's; from there to Dubosk's, bookseller, Gerard Street, and then to a German's where we purchased a ham, beans and lentiles. He lives in the house forming the corner of Marylebone and Gerard Streets.

28. *Sunday.* Visited Davison with Mathews. From there to St. Mary Axe, where my nephew communicated to me the letter he has received from Messrs. Talkar, who have sent him a bill of exchange for £1,000 on account of Mr. Devos. He showed me at the same time the letters he had written them, as well as to Mr. Bertram, by which he begged him to take charge of the family correspondence, not thinking it proper for them to correspond with women. His idea of placing the youngest Devos in Holland appears to me just. Took a turn in the Park, which was crowded.

My nephew came to dine with me.

March.

1st March—*Monday.* Visited Sir Samuel Napier and Baron Alvensleben, who gave me the news from Vienna. Was at Mrs. Prevost, who was at her toilet, thence to Captain Prescott's and Colonel Polier's. Adair and Dr. Barr dined with me, along with Mathews. Went to the Baron's concert. Called in the morning on Colonel Miranda, who appears every day more interesting. He told me M. Andriany had an allowance from the Emperor to travel and gain knowledge of chemistry and natural history.

2. *Tuesday.* Major Mathews handed me several papers concerning the effects disposed of on my account at Quebec. He told me that Genevay has still forty odd pounds of money, the proceeds of (*Wagren que à vendre?*) I told him to keep this money on my account in order to assist young Collins, who is apprenticed to a carpenter in Montreal. The major handed me £31. 15, sterling he had received from Mr. Ainsley on my account, as also two receipts, the one for £20 and the other for £10, which Mr. Ainsley had paid in charity by my order.

The Major is leaving to-day to join his regiment.

3. *Wednesday.* Went to the India House to vote for Mr. Pardoe. The King spoke to me of Lord Heathfield, as if he believed that I could change his resolution to marry. Morrison spoke to me about the clothing which he claims for my battalion.

Lord Sydney told me of the resolution come to in the National Assembly of France to make all ranks of citizens equal.

Visited Madame de Nagle, Morrison and Pattison. Was at the Club, where the Baron informed me that the death of the Emperor [Joseph II, of Germany] was certainly true. A servant came to offer to serve for three or four months, to see if he would agree. The one from General Polier brought me a letter from my nephew and offered his services the same as did his comrade, both have a good manner.

4. *Thursday.* I warned my servant Ottonin that I no longer needed his services and the one from Mr. Ainsley has come on trial. Was at Court. Dined at Lord Sydney's almost *en famille*. Spent the evening at Lady Amherst, where there was a crowd. Home at 11 o'clock.

5. *Friday.* Dined at General Ainsley's, with his wife and his sister, Mr. Hamilton, a naval officer, Mr. Eddington, and Major Gunn. Played three rubbers, and home at eleven. Have been suffering greatly from a cold all day.

Samedy, 6.

Été à St. Mary Axe. M. Miranda & le Capt ont dinné ches moy le dernier n'est pas fort prudent. Il a devoillé sans reserve toute la conduite du Prince Edward pendant son séjour à Genève, & la conversation qu'il a eu avec le Roy sur ce sujet.

Dimanche 7.

Budé a dinné ches moy. J'ay fait visitte au B. Alvensleben & à l'Eveque d'Herefort.

Passé la soirée ches moy. J'ay fait visitte au B: Alvensleben & à l'evêque d'Herefort toujours fort enrhumé. Mon neveux étoit venu déjeuner avec moy.

Lundy le 8.

Le Capt. Davisson m'est venu voir Je l'ay mené à l'exhibition de Merlin de la ches mon neveux p^r voir le modelle de Catapult qu'il a fort admiré—revenu & dinné ches moy.

Mardy 9.

Dinné au Clob. nous étions 19 Personnes—bon dinné—revenu à 9 heures.

Mercredy, 10.

fait visitte au Baron. L'Eveque est venu ches moy fort content d'être debarassé de son Rhume,

promené et revenu ches moy fort fatigué.

Jeudy, 11.

J'ay été faire visitte à Lord Heathfield, que j'ay trouvé faible mais tranquille. Il me dit qu'il étoit né le 1^{re} janvier 1718.

Vendredy 12.

fait visitte à B.A. de la ches Madame Carpenter qui ma reçu au mieux ensuite ches le G^l Robinson & chez les Agents qui n'ont rien fait concernant l'habillem^t que le G^l Morisson reclame, ce sont des Messieurs sur lesquels je ne puis pas conter, passé la soirée ches M. Morisson ou il y avoit grand monde, gagna 3. Robers.

Samedy 12. [13]

Été ches le Col: Polier Mad. Ramsden, les agents & Lord Amherst, de la à la cité, ou mon neveux ma lu les Lettres de M. Bertram concernant les Devos.

Le G^l McLean me dit que le Capt. Fraser seroit obligé de vendre pour payer ses dettes. Cregy, Davisson, Jefroy, Le Major Benson & McLean & Fraser ont dinné ches moy.

passé la soirée ches Lady Fawcett, Grand monde, gagné 2. Roburs.

Dimanche le 14.

fait quelques visittes. Le Col. Miranda a dinné ches moy.

Lundy.

Été au Concert du Baron Alvensleben.

Mardi 16.

Concert de Miss Abrams. Le Major Jessup party p^r le Canada. Je lui ay remis la montre et le cachet p^r le jeune Williams avec une Lettre p^r Devos et une p^r le Capt. Freeman avec les derniers gassettes. Le Baron & Adair ont dinné ches moy.

Mercredy 17.

fait quelques visittes. Été au Levé, & passé la soirée ches M. Molesson. Gagna 2. Robers.

Jeudy 18.

Été à St. Mary Axe ou mon neveux ma dit que Devos a tiré une Lettre de change de 25 L. St. Il conviendra de lui en écrire. J'ay dinné & passé la soirée ches Mr Attwick ou il y avoit grand monde perdu deux Roburs. Aujourd'huy j'ay payé la cuisinière & renvoyé mon domestique Gingen, & Louys Mathey est entré à mon service. J'ay aussi payé les a John Thompson qui lui étoit du le 5 Mars a raison de 3. 13-St. par quarter.

Vendredy, 19.

J'ay remis à mon nouveau Domestique Loys Mathey l'argenterie p^r Usage ordinaire en présence de Madame Fairchild.

reçu une Lettre de Maj. Mathews qui m'en donne du Capt Freeman & de Devos, qui n'a d'autre que celui de ne pas connaître le prix de l'argent. J'ay été à St. Mary Axe & pour charger mon neveux de lui écrire sur ce sujet.

6. *Saturday*. Was at St. Mary Axe. Mr. Miranda and the Captain dined with me. The latter is not very prudent. He unveiled unreservedly all Prince Edward's conduct during his stay at Geneva, and the conversation he had with the King on the subject.

www.libtool.com.cn

7. *Sunday*. Budé dined with me. I visited Baron Alvensleben and the Bishop of Hereford.

Spent the evening at home. Still suffering from a cold. My nephew came to breakfast with me.

8. *Monday*. Captain Davison came to see me. Took him to the Exhibition of Merlin, from there to my nephew's to see the model of the Catapult, which he greatly admired. Returned and dined at home.

9. *Tuesday*. Dined at the Club; we were 19 persons; a good dinner. Home at nine.

10. *Wednesday*. Visited the Baron. The Bishop called, glad to be rid of his cold.

Took a walk and returned home much fatigued.

11. *Thursday*. Called on Lord Heathfield; found him weak but easy. He told me he was born on the 1st of January, 1718.

12. *Friday*. Visited Baron Alvensleben and Mrs. Carpenter, who received me cordially, then to General Robinson's and the agents, who have done nothing about the clothing that General Morrison claims. They are gentlemen on whom I cannot depend. Spent the evening at Mr. Morrison's where there was a crowd. Won three rubbers.

12 [13]. *Saturday*. Was at Colonel Polier's, Mrs. Ramsden's, the agents and Lord Amherst's. Thence to the City, where my nephew read me the letters from Mr. Bertram respecting the Devos family.

General McLean told me that Captain Fraser would be obliged to sell-out to pay his debts. Craigie, Davison, Jeffrey, the Major, Benson, McLean and Fraser dined with me. Spent the evening at Lady Fawcett's; a crowd. Won two rubbers.

14. *Sunday*. Paid a few visits. Colonel Miranda dined with me.

15. *Monday*. Was at Baron Alvensleben's concert.

16. *Tuesday*. Miss Abrams' concert. Major Jessup left for Canada. I handed him the watch and seal for young Williams, with a letter for Devos and one for Captain Freeman, with the last newspapers. The Baron and Adair dined with me.

17. *Wednesday*. Paid a few visits. Was at the levée and spent the evening at Mr. Molison's. Won two rubbers.

18. *Thursday*. Was at St. Mary Axe, where my nephew told me that Devos has drawn a bill of exchange for £25 sterling. He agreed to write him about it. Dined and spent the evening at Mr. Attwick's, where there was a crowd. Lost two rubbers. Paid the cook and dismissed my man servant Gingen, and Louis Mathey entered my service. I also paid John Thompson what was due him from the 5th March, at the rate of £3. 13 sterling a quarter.

19. *Friday*. Handed Louis Mathey, my new servant, the silver plate for ordinary use in presence of Mrs. Fairchild.

Received a letter from Major Mathews, which gives information from Captain Freeman and Devos, showing nothing but that the latter does not know the value of money. I went to St. Mary Axe to get my nephew to write him on the subject.

J'ay tiré sur mes Banquiers 400 L. St. pour payer pour la commission d'Enseigne de James Williams, fait visite au G^l Paaly;

Le G. Smith, Capt. Fraser, Col: Polier, G^l Ainsley & le G^l Bruce ont dinné chez moy.

fait visite à Mad. de Nagle qui me paroît avoir besoin de beaucoup de menagement.

fait visite au Baron & au chev: Doslary.

Samedy 20.

Le Baron a dinné chez moy et nous avons arrangé tous les contes concernant l'installation.

Dimanche 21.

Le Baron a dinné chez moy & m'a amené le Baron Waugh, off^r au service d'Autriche qui nous a beaucoup entretenu des campagnes contre les Turcks qui ne sont pas aussi méprisables que je les croyoit. Soirée chez Mad. Trapaud ou j'ay perdu deux Robers 4½ guinées.

Lundy 21. [22]

fait visite à Lady Holderness. Été au Levé du P. de Galle & le soir au concert du Baron Alvensleben.

Mardy 23.

Dinné au clob, J'ay envoyé une Caisse contenant le portrait de Joseph Brant & celui de son amy avec plusieurs Livres des Papiers des nouvelles, les plans des Batt: du Roy de Puce &c. le tout recomandé à Cregy.

Mercredy. 24.

Le Baron & le B. Why ont dinné chez moy—passe la

Mon neveux m'est venu voir, et ma communiqué la mort de ma sœur Justine & différentes Lettres qu'il a reçues de sa mère de sa sœur Henriette, & de M. Bartram, & nous sommes convenus des reponces qu'il y devoit faire.

A savoir que tous les Domestiques de ma sœur soyent bien recompensés & que Mlle Dupuis recevra une pension viagere de 100 L. Suisse.

Jedy 25.

Été chez Davisson qui me dit que Maban est fort embarrassé dans ses affaires. Il se plain beaucoup que le gouvernement ne deside rien dans l'affaire des juges, non plus que dans les affaires particuliers concernant le Canada. Il a acheté le Pamphlet Theodosius, que l'attorney G^l Mr Macdonald avoit déjà lu. Diné chez le G^l Smith.

Vendredy 26.

Craigie, Davisson & le Col. Kembel ont dinné chez moy. Été au clob.

Samedy 27.

Mon neveux est venu me communiquer une Lettre de M^{aj}or Mathews au sujet de ce qu'il me doit.

Le Conte Andreani est venu me demander des Lettres de recommandation pour L'Amérique qu'il conte de parcourir.

28. Dimanche.

J'ay écrit a Devos & au Capt. Freeman par M. Craigie qui par pour Quebec demain. Le G^l Bude, le Col. Polier, le Baron Way & le Capt Frazier ont dinné chez moy.

Lundy 29.

Dinné chez Lady Holderness avec le Baron Nagle Col. Saumaire Budd, Guisardier, Vanderput Fraquel.

passé la soirée chez Madame de Nagle.

Mardy 30.

prêté au Capt. Frazier du 34^e 140 £. St.

Mercredy 31.

Été au Levé et chez L^d Sydney.

Pour cuire le jambon.

Le laisser tremper pendant 36 heures dans de L'eau tiede le suspendre ensuite pendant le même temp; dans la lardoire et la cuire ensuite à petit feu. Il ne faut pas qu'il aye plus d'eau qu'il n'en faut pour le couvrir et on peut ajouter a cette

Drew on my bankers for £400 to pay for the commission of ensign for James Williams. Visited General Paoli.

General Smith, Captain Fraser, Colonel Polier, General Ainslie and General Bruce dined with me.

Visited Madame le Nagle, who seems to me to need a good deal of humouring.

Visited the Baron and the Chevalier Doslary (?)

20. *Saturday*. The Baron dined with me and we arranged all the accounts relating to the installation.

21. *Sunday*. The Baron dined with me and brought the Baron Way, an officer in the Austrian service, who greatly entertained us with the campaigns against the Turks, who are not so contemptible as I thought. In the evening at Madame Trapand's, where I lost two rubbers, four guineas and a half.

21 [22]. *Monday*. Visited Lady Holderness, was at the levée of the Prince of Wales and in the evening at the Baron Alvensleben's concert.

23. *Tuesday*. Dined at the Club. I sent a case containing the portrait of Joseph Brant and that of his friend, with several volumes of newspapers, the plans of the battles of the King of Prussia, &c., the whole to the care of Craigie.

(In the original the entries are *Wednesday* 23, that he dined at the Club, which he did on Tuesday the 23, and *Friday* 24, in place of Wednesday, evidently slips of the pen in both cases).

24. *Wednesday*. The Baron [Alvensleben] and Baron Way dined and spent the evening with me.

My nephew came to see me and to inform me of the death of my sister Justine, and show me different letters he has received from his mother, sister and Mr. Bertram. We agreed on the replies he should make to them.

To ascertain that all my sister's servants are properly rewarded and that Mlle. Dupuis shall receive a life pension of 100 l. Swiss.

25. *Thursday*. Was at Davison's, who told me that Mabane is much embarrassed in his affairs. He complains greatly that Government decides nothing respecting the business of the judges, any more than in special business relating to Canada. He has purchased the pamphlet "Theodosius," which the Attorney-General, Mr. Macdonald, had already read. Dined at General Smith's.

26. *Friday*. Craigie, Davison and Colonel Kemble dined with me. Was at the Club.

27. *Saturday*. My nephew came to communicate a letter from Major Mathews respecting what he owes me.

Count Andriani came to ask me for letters of recommendation to America which he thinks of travelling over.

28. *Sunday*. Wrote to Devos and to Captain Freeman by Mr. Craigie, who leaves for Quebec to-morrow. General Budé, Colonel Polier, Baron Way and Captain Fraser dined with me.

29. *Monday*. Dined at Lady Holderness's with Baron Nagle, Colonel Saumaire, Budé, Guisfardier, Vanderput, Fraquel.

Spent the evening at Madame de Nagle's.

30. *Tuesday*. Lent Captain Frazer of the 34th £140 sterling.

31. *Wednesday*. Was at the levée and at Lord Sydney's.

How to cook a ham. Let it soak for thirty-six hours in tepid water; then let it hang for the same length of time in the larder, and cook afterwards with a slow fire. No more water is required than will cover it, and to this water may be added dripping,

eau de la graisse de cuisine et avoir soin que le pot soit bien couvert. Le jambon est encore meilleur cuit à la vapeur.

Avril 1790.

Jedy 1^{re}

J'ay été au Levé, le Colonel Miranda est venue dinné chez moy.

Le Conte Andriani, Milanay, est venu prendre congée, devant partir p^r L'Amérique. Je lui ay donné des Lettres de recommandation pour le Dr Maban, le Capt Freeman, le G^l Christie—le Maj. Harris, & le Maj. Murray, & une pour Joseph Braat. N.B. Il me dit que M^r de la duchesse Lui dit qu'un de ses Parens yroit le rencontrer en Amerique, souhaitant ce tour la avec lui. N.B.

Vendredy 2.

Le Col. de Saumaisne, le Baron le Cap^e Vendepour Budé, le Capt Frazier, le Col. Williamson Marsh & M. de Giffardinie ont diné chez moy & ont fait une Couple de Robur. Le Col. Polier estoit de la partie mais s'est retiré après diné.

Samedy 3.

fait visite a M^r de Saumaise, M^r Rushout, le Lt C. Gream du 21, le Cap. Broadrick.

Dimanche le 4.

fait l'inventaire de mon argenterie, le Baron et le Capt. Frazier ont diné chez moy fait visite à M^d de Nagle qui n'estoit pas chez Elle. revenu chez moy.

Lundy 5.

Adair est venu déjeuner chez moy et party le soir pour Bath.

Mardy 6.

fait plusieurs visittes et passer la soirée chez moy.

Mercredy 7.

fait visite à Lord Heathfield, qui me propose de partir avec Lui p^r Aix la Chapelle.

Jedy 8.

Eté à la citté diner chez le G^l Ainsley avec un M^r Maguire, M^r & M^{rs} Pitchet Madame Bruse. J'y ay passé la soirée.

Vendredy le 9^e Avril.

J'ay escrit aux agents pour finir avec deux autres agents les pretentions que le G^l Morisson forme sur l'habillem^t des draughts que j'ay reçu de son Regim^t

J'ay payé et renvoyé Thomas mon ancien domestique, & Lui ay payé neuf guinées.

Samedy le 10.

Eté à la Citté, acheta 6. grands & 6 petit carafes 4. Douzaines de Verres & 6 Gobelets.

Dimanche 11.

fait quelques visittes chés M^r Williamson G^l Roy, M^r Pollock & M^r Ducheny, Miranda et le Baron Regensfeld ont diné chez moy Ce dernier ma paru un peu ridicule par son opigniatreté, mais l'autre toujours interessant.

Lundy 12.

Acheté de M. Bergen une douzaine de champagne rouge, 1 d. blanc & une douzaine claret.

M. Ager ma fait visite.

Passé la soirée chez Davisson qui me dit qu'il avoit pris sur lui d'ordonner d'y presenter p^r l'expedition du jeune Hollandais. Il venoit de chez M^r [Nepean ?] qui l'avoit assésuré que Tho. (Thomas) Carleton n'yroit point en Canada, & que Sir J. Johnson, ni le Col. Delancy ne comanderoit point dans le Pays d'enfant.

J'avois reçu le matin une Lettre de M. Hasenclaver datée de Landshout ou Il reclame 500 L. St. qu'il avoit payé pour 10,000 arpens de terrein qu'il avoit achetté pour sa fille etc. J'ay chargé mon neveux d'ecrire à Wallace, a Waterfort pour avoir quelques éclaircissem^{ts} la dessus.

Le Mardy 13.

Eté à St. Mary Axe.

passé la soirée chez M^de Montessor ou Il y avoit beaucoup de monde surtout des Ameriquains. joué trois Rubers.

and taking care that the pot be well covered. The ham is still better cooked by steam.

www.libtool.com April 1790.

1. *Thursday*. Was at the levée. Colonel Miranda came to dine with me. Count Andriani, Milanese, came to take leave before setting out for America. I gave him letters of recommendation to Dr. Mabaue, Captain Freeman, General Christie, Major Harris and Major Murray, besides one for Joseph Brant.

N. B. He told me that M. de la Duchesne said to him that one of his relatives would go to meet him in America, wishing to make that tour with him.

2. *Friday*. Colonel de Saumaisne [Saumaire in previous entry] the Baron, Captain Vandeput, Budé, Captain Fraser, Colonel Williamson, Marsh and M. de Guisfardine dined with me and played a couple of rubbers. Colonel Polier was of the party but left after dinner.

3. *Saturday*. Visited Mr. de Saumaise, Mr. Rushout, Lieutenant O. Green of the 21st, Captain Brodrick.

4. *Sunday*. Made an inventory of the silver plate. The Baron and Captain Fraser dined with me. Called on Madame de Nagie who was not at home. Returned home.

5. *Monday*. Adair came to breakfast and left in the evening for Bath.

6. *Tuesday*. Paid several visits and spent the evening at home.

7. *Wednesday*. Visited Lord Heathfield, who asked me to set out with him for Aix-la-Chapelle.

8. *Thursday*. Was at the City. Dined at General Ainslie's with a Mr. Maguire, Mr. and Mrs. Pitchet, Mrs. Bruce. Spent the evening there.

9. *Friday*. Wrote to the agents to settle with two other agents, claims set up by General Morrison respecting the clothing for the draughts I received from his regiment.

Paid and dismissed Thomas my old servant; gave him nine guineas.

10. *Saturday*. Was at the city, purchased 6 large and 6 small decanters, 4 dozen glasses and 6 goblets.

11. *Sunday*. Called at Mr. Williamson's, General Roy's, Mr. Pollock's and Mr. Ducheny's. Miranda and Baron Regensfeld dined with me. The latter seems to me a little absurd from his obstinacy, but the other is always interesting.

12. *Monday*. Purchased from Mr. Bergen a dozen of red champagne, a dozen of white and a dozen claret.

Mr. Ager [Agar?] called.

Spent the evening at Davison's, who told me he had taken on himself to order the young Hollander [young Holland?] to come there before leaving. He had come from Mr. [Nepean?], who had assured him that Th [Thomas] Carleton would not go to Canada and that neither Sir John Johnson nor Colonel de Lancy would have the command in the upper country.

I had received in the morning a letter from Mr. Hassencleaver, dated from Landshout, in which he demands £500 sterling, which he had paid for 10,000 acres of land he had purchased for his daughter &c. I desired my nephew to write to Wallace, at Waterford, to obtain some information on the subject.

13. *Tuesday*. Was at St. Mary Axe.

Spent the evening at Mrs. Messors's, which was crowded, especially with Americans. Played three rubbers.

Mercredy le 14.

J'ay été à la citty pour voter dans la maison des Indes, ou j'ay donné ma voix pour le House List.

Mrs Agen, Pichy, Sir W. Fordyce, le G^l Ainsley, le Baron Way et le Baron Regensfeld ont diné ches moy, le dernier a été asses bien, la conversation amusante, et le Baron toujours positif, des qu'on a touché sur la politique.

Le 15 Jendy.

J'ay été à la cour qui étoit asses nombreux malgré la nege et le mauvais temps.

J'ay renvoy ma fille de chambre Anne Waughn, [Vaughan] apres l'avoir payé jusqu'a ce jour. J'ay engagé à sa place Joyce Frost a raison de 9 Guinéés par année Lui en ayant fait esperer 10. si elle se conduit bien.

Vedredy 16.

Le Col : Polier et M. le Capt. Prevost ont diné ches moy.

Samey 17.

J'ay beaucoup promené, dinné ches Daviason avec L'admiral Rolham Sa Femme son frere et sa fille, fait Robert avec M^{de} que nous avons gagné contre Madame et

Dimanche 18.

Le Major Maizé [Nairne ?] m'est venu faire Visitte avec son fils qui part dans une dizaine de jours pour le Canada. Il ma demandé un congé pour un autre de ses fils qui est Enseigne dans mon Batt :

J'ay fait visitte à Mad^{me} Prevost et le Gen^l Moultry qui n'étoient pas au Logis.

J'ay été ches M. des Enfants, qui étoit incommodé mais je me suis beaucoup entretenu avec Mr Bourgeois, qui paroît fort bien avec Mr de Colonne, [Calonne] dont il chante tres fort les Louanges.

fait visitte à Mad^{me} Carpenter été de la au club, et venu diner ches moy.

Été ches Madame de Nagle qui n'étoit pas visible, passe une couple d'heures au club.

Lud : 19.

fait visitte ches Lady Sydney ou j'ay rencontré Lady très belle Feme et fille de L^d George Lenox Sorty avec L^d Sydney avec lequel je me suis promené, été ches le Baron Alvensleben Il me dit que le Roy de Hongrie se faisoit adoré de ses sujets, et qu'on croyoit qu'il penchoit du Cotté de la paix, dinné ches Lady Holderness avec Mad^e du Tour, Le Baron Nagle ; M^{rs} Fagh, le Baron Alvensleben et Regensfeld et Budé, passé la soirée ches moy.

Le G^l Pownall [Powell] est venu me faire visitte.

Mardy le 20.

Dinné au club ou j'ay conduit le General Pownall [Powell] qui y a rencontré plusieurs connoissances nous y sommes restés jusques à 10. heures.

Mercredy 21.

J'ay conduit le G^l Pownal [Powell] au Levé—qui étoit nombreux. Dinné ches M. Ager avec le G^l Hemsley, M^{rs} Pichy & Lucas Dames, M^{rs} Hosborn, Sir Hector Manron & M^{rs} M. & deux autres Messieurs. revenu a 9 heures.

Jendy 22.

J'ay conduit le General [Powell] au Drawing Room, La Réne me dit qu'elle souhaiteroit fort de voir la Suisse, qu'elle preferoit à L'Italie.

Le G^l Pownall, Grant, Read, Small & le Col. Polier ont dinné ches moy.

Le Vendredy 23.

J'ay fait quelques visittes & diné ches le Col. Marsh avec le Col : Williamson, Montesor, Powell, le G^l & le Colonel. Le G^l Bruce. Nous avons fait 5 Robers dont j'en ay perdu 4. avec le Col. Marsh.

Samedy 24.

J'ay été à la citty où j'ay appris par mon neveux que James Delancy me payeroit dans le Courant de la Semaiue.

Mon neveux me dit que les fonds en France ont repris faveur & qu'il sont à present au pair.

On fait un emprunt pour les Américains ou on retirerait le 8 pour cent, fait visitte au Duc de Nortomberland & a M. Townsend le nouveau marié.

14. *Wednesday*. Was at the City to vote in the India House, which I did for the House List.

Messrs. Ager [Agar?] Pichy, Sir William Fordyce, General Ainsley, Baron Way and Baron Regenfeld dined with me. The latter was in pretty good form, the conversation was amusing and the Baron always positive when politics were touched on.

15. *Thursday*. Was at the Court, which was pretty full, in spite of the snow and bad weather.

Dismissed my chambermaid, Anne Vaughan, after paying her till to day. I engaged in her stead Joyce Frost, at the rate of nine guineas a year, with the hope of ten, if she behave well.

16. *Friday*. Colonel Polier and Captain Prevost dined with me.

17. *Saturday*. Walked a great deal. Dined at Davisons' with Admiral Rolham, his wife, mother and daughter. Played a rubber with Mrs. which we won, against Mrs. and .

18. *Sunday*. Major Maine [Nairne?] came to pay me a visit with his son, who is leaving for Canada in about ten days. He asked me for leave of absence for another son, who is an ensign in my battalion.

Called on Mrs. Prevost and General Moultry, who were not at home.

Was at M. des Enfants, who was unwell, but I was much entertained with Mr. Bourgeois, who seemed on good terms with M. Colonne (Calonne,) whose praise he loudly sang.

Visited Mrs. Carpenter; from there to the Club and home to dinner.

Was at Madame de Naglé's, who was not visible, spent a couple of hours at the Club.

19. *Monday*. Called at Lady Sydney's, where I met Lady a beautiful woman, and daughter of Lord George Lenox. Went out with Lord Sydney, with whom I took a walk. Was at the Baron Alvensleben's. He told me that the King of Hungary is making himself adored by his subjects, and that it is believed he inclines towards the side of peace. Dined at Lady Holderness's with Madame du Tour, Baron Nagle, Messrs Fay, Barons Alvensleben and Regenfeld and Budé spent the evening with me.

General Pownall [Powell] came to pay me a visit.

20. *Tuesday*. Dined at the Club, to which I took General Powell, who met several acquaintances there; we remained till 10 o'clock.

21. *Wednesday*. Took General Powell to the levée which was full. Dined at Mr. Agar's with General Hemsley [Elmsley?] Messrs Pichy and Lucas Dames, Messrs Hosborn [Osborne?], Sir Hector Munro and Messrs Mr. and two other gentlemen. Home at 9 o'clock.

22. *Thursday*. Took General Powell to the Drawing Room. The Queen told me that she wished very much to see Switzerland, which she prefers to Italy.

Generals Powell, Grant, Read, Small and Colonel Polier dined with me.

23. *Friday*. Paid a few visits and dined at Colonel Marsh's with Colonel Williamson, Montessor, Powell, the General and the Colonel and General Bruce. We played five rubbers, of which I lost four with Colonel Marsh.

24. *Saturday*. Was at the City, where I learned through my nephew, that James de Lancy would pay me in the course of the week.

My nephew told me that the funds in France are coming into favour again and are now at par.

A loan is being made for the Americans for which eight per cent. can be obtained.

Paid a visit to the Duke of Northumberland, and to Mr. Townshend, the bridegroom.

Dimanche 25.

fait visite à Lord Heathfield, Le Baron R. et le Capt Way ont diné chez moy.

Lundy 26.

Bude est venu chez moy & ma appris les effets de l'eau de cerise pr les maux de Tête provenant de l'Estomack.

Été au Levé du Prince de Galles avec le G^l Powell qui a dinné chez moy. passé la soirée chez Lady Amherst ou il y avoit beaucoup de monde. Joué au Cadrille avec Lady Dover, Madame Deligne & Lady

J'ay reçu une Lettre de Freeman de Quebec du 8^e fevrier 90, qui paroît fort content de Devos, qui étoit party pr joindre son Regiment. Reçu une lettre de Capte Cullen pour le Capt. Freeman dattée du *Patna Sur Gange du 25^e Octobre 1789 par le Rose Capt. Dumpster*. Cullen espere de retablir ses affaires a Benares ou il va s'établir.

Mr le Col. Polier me dit que les circonstances sont favorables pr y faire fortune les françois ayant abandonné ce Commerce au Public.

Mon neveux a aussi reçu une reponce de Mr Alfd Wallace au sujet des affaires de shipody & des prétentions de Mr Hasenclavar.

Mardy 27.

J'ay dinné au Somerset house par invitation de M. Bourgeois. Il y avoit au moins 140 Personnes a 4 Tables revenu chez moy a 9 $\frac{1}{2}$

Mercredy 28.

J'ay Conduit le Col. Polier qui a été présenté au Roy.

Le Baron, le Gen^l Burnett, le G^l Powell ont dinné chez moy.

Été le soir chez Md^{le} Nagle ou j'ay pris congé du Dr Des Tour.

Jedy 29.

J'ay conduit le G^l Powell au Levé du chev. Yong, & de la suis reveru chez moy prendre le Col. Polier que j'ay Conduit à la Cour ou il a été présenté à la Réne.

Je suis allé de la à la Citté pour parler à mon neveux au sujet des affaires de Hasenclavar. Le G^l Powell a dinné chez moy.

Vendredy, 30.

Été à la Citté payé mon Carossier 79 L. Le G^l Powell a dinné chez moy, passé la soirée chez Mad^e Williamson ou il y avoit beaucoup de monde—perdu deux Robers & revenu chez moy à 1 heure du matin.

May.

Samedy le 1^{re}

Mr Martin de la Tour est venu dejeuner chez moy avec mon neveux, recu la visite de McLean, Dinné chez le Col. Williamson qui a été fait M. Gen^l aujourd'hui Il y avoit une 15 de personnes, nous avons joué au 21. presque deux heures, j'étois fort fatigué particulieret des jenoux & des jambes qui estoient fort enflées.

May Dimanche le 2^e

Le Major Mathews est arivé à 10 heures du matin, nous avons été chez les Davisons a St. Mary Axe, & chez le G^l Powell.

Mon neveux ma dit qu'on avoit appris par la Poste de hier que la guerre étoit declarée entre la Prusse, le Roy de Hongrie & la Xarine, & qu'en concequence de cette nouvelle les fonds avoient baissé considerablement.

Je reçu hier une Lettre du Dr Maban dattée du 6 fevrier, j'en reçu une avant hier du Capt. Freeman dattée du 8 fevrier.

Lundy le 3^e

Repondu au Dr Maban & au Capt. Freeman a qui j'ay envoyé des Livres & des papiers de nouvelles j'ay porté ces Lettres chez M. Davison & j'ay été de la à l'exhibition de Somerset house, ou j'ay rencontré M. Bourgeois qui y conduisoit Madame de Callone revenu chez moy dou je suis allé chez le B. Alvensleben, que ma dit qu'il avoit reçu des Lettres de Berlin du 20^e Avril par les quelles il voyoit qu'il n'y avoit point encore d'hostilités de commencées mais que l'armée Prusienne seroit mise sur l'Etat de guerre le 15 May, & que tout le regiment avoit ordre de se tenir prêt à marcher ; il paroît aussi par les Lettres de Vienne que le Roy de Hongrie se fait aimer & qu'il est dessidé pour le Paix. Le Gen^l Powell, Budé et le M. Mathews ont dinné chez moy.

25. *Sunday.* Paid a visit to Lord Heathfield. Baron Regenfeld and Captain Way dined with me.

26. *Monday.* ~~Budé called and informed~~ me of the effect of cherrywater on headaches arising from the stomach.

Was at the levée of the Prince of Wales with General Powell, who dined with me. Spent the evening at Lady Amherst's where there was a large party. Played at quadrille with Lady Dover, Madame Deligue and Lady

Received a letter from Quebec from Freeman, dated 8th February, 1790, who appeared much satisfied with Devos, who had gone to join his regiment. Received a letter from Captain Cullen for Captain Freeman dated "Patna on the Ganges, 25th October, 1789, by the Rose, Capt. Dumpster." Cullen hopes to re-establish his business at Benares, where he goes to settle.

Colonel Polier told me that circumstances are favourable for making a fortune there, the French having thrown open that trade to the public.

My nephew also received a letter from Mr. Alfred Wallace, respecting the affairs of Shipody and the claims of Mr. Hassenoleavér.

27. *Tuesday.* Dined at Somerset House by invitation of Mr. Bourgeois; there were at least 140 persons at four tables. Returned at home at half past nine.

28. *Wednesday.* Took Colonel Polier to be presented to the King.

The Baron, General Burnet and General Powell dined with me.

In the evening was at Madame Nagle's, where I took leave of Dr. Des Tours.

29. *Thursday.* Took General Powell to Sir George Yonge's levée, and from there went home to take up Colonel Polier, whom I took to the Court, where he was presented to the Queen.

Went then to the City, to speak to my nephew respecting the affairs of Hassenoleaver. General Powell dined with me.

30. *Friday.* Was at the City. Paid my coach builder £79. General Powell dined with me. Spent the evening at Mrs. Williamson's, where there was a large gathering. Lost two rubbers and home at one o'clock in the morning.

May.

May 1. *Saturday.* M. Martin de la Tour came to breakfast with my nephew. Received a visit from MoLean. Dined at Colonel Williamson's who was made Major General to-day. There were 15 persons. We played at vingt-et-un nearly two hours. I was greatly fatigued, especially in the knees and legs which were much swollen.

2. *Sunday.* Major Mathews arrived at ten o'clock in the morning. We went to Davison's, to St Mary Axe and to General Powell's.

My nephew told me that it had been learned by the mail of yesterday, that war had been declared between Prussia, the King of Hungary and the Czarina, and that in consequence of this news the Funds had fallen considerably.

I received yesterday a letter from Dr. Mabane, dated the 6th of February. I had received one the day before from Captain Freeman, dated the 8th of February.

3. *Monday.* Answered Dr. Mabane and Captain Freeman, to whom I sent books and newspapers.

I carried these letters to Davison and from there went to the Exhibition at Somerset House, where I met Mr. Bourgeois, who had taken Madame Calonne there. Returned home and went to Baron Alvensleben's, who told me he had letters from Berlin of the 20th April, by which he saw that hostilities had not yet begun, but that the Prussian Army would be placed on a war footing on the 15th of May, and that the whole regiment [army?] had orders to be ready to march. It appears also that the King of Hungary is making himself loved, and that he is decided for peace. General Powell, Budé and Major Mathews dined with me.

Mardy 4.

Dinné chés le Gen^l Dalling ou il y avoit grand monde resté à Table jusques à 10 $\frac{1}{2}$ heures—bon diné & bon vin.

www.libtool.com Mercredi 5.

Mon neveux est Venu dejeuner chés moy, & à son retour à la citté Il ma écrit un Billet pour me faire savoir que la nuit passé on a pressé tous les matelots sur la Tamise, & qu'on est sur le point de déclarer la guerre à L'Espagne qui a fait arêter 5 de nos vaisseaux proche de la riviere Couck [Cook's River, Nootka Sound] & les fonds sont tombés de 3^{pr} 100.

Mathews & le Dr Bar ont dinné chés moy McLean est venu apres diné & passé la soirée chés Mr Patisson, fait deux Robers perdu $\frac{1}{2}$ guinée.

Jedy, le 6.

repondu à la Lettre de la Tresorerie au sujet des officiers de la Marin Provinciale à Quebec.

La Gasette nous a anoncé le discours que le Roy a envoyé aux chambres da Parlem^t dinné chés le Col. Marsh avec Powell, Mathews, Williamson, le G^l Caswell le Col. Bruce, Small. Joué 4 Robers.

Vendredi, 7.

Le Gen^l Powell Matthews, Mons. L. & le Col. ont terminé le different que j'avois avec le General Morisson, au sujet de l'habillem^t de Drafts, & Il sont convenu que la difficulté provenoit de l'ordre que le G^l Cambell qui commandait dans la Nouvelle Ecosse avoit donné, fort improprement, pour habiller les Drafts, mais pour finir la chose, Ils sont convenus que Morisson et moy supporterions par moitié, la depense que cet erreur avoit occasionée.

J'ay été chés mon neveux de la au Levé ou le Roy a été fort gracieux, dinné chés moy avec Powell, Marsh le Capt^e Frazier & Matthews.

J'allay voir les Folies d'Astlay. Souppé chés Marsh avec les Montressors, le Capt^e McKing le jeune Digby & Finch.

Samedy le 8.

Mon nev. vint chés moy me dire qu'on avoit offert hier à 3 $\frac{1}{2}$ heure aux differents offices de la Bource une prime de 12 guinées contre 100 L. St. que nous aurions la guerre avec la France avant 6 mois nombre de Personnes ont souscript.

N.B. Il est a presumer que ceux qui ont hasardé tant d'argent sont bien informés.

passé chés le Cl Miranda qui pouroit nous estre utile dans cette occasion, &c. &c. M. Bourgeois a été chés moy et ma conduit à l'exibition des Postes dont j'ay été fort satisfait.

passé au club rencontré l'admiral Pigot qui est fort inquisitif, & paroit un peu mécontents.

Dinné et passé la soirée chés moy. J'étois extrêmement fatigué sur tout des genoux, dont je souffris assis ou debout.

Dimanche le 9^e

Mon n^x m'est venu faire part du racomodem^t de Sally, et du party qu'elle a pria.

Il ma lut une Lettre de sa mere qui paroit inquiette, je l'ay conduit à Hampstead, don je suis venu chés moy fatigué j'y ay passé la soirée.

Lundy le 10.

J'ay écrit au Major Mathews en lui envoyant les clefs qu'il avoit oublié icy.

Le Major Benson est venu me dire qu'il se préparoit à joindre mon Batt. en Canada fait visite à M. Polier je ne l'ay pas trouvé. Le Col: Miranda a diné chés moy & est party de bonne heure. Il me dit qu'il avoit été maltraité par les Espagnols.

Mardy 11.

Les fonds ont encorre baissé. Major Murray a dine chés moy. Il ma fait une partie de ses services, tant dans la marine que comme aide de Camp du Chev: Clinton, passé la soirée chés Morriasson perdu deux Robers.

Mercredi 12.

fait visite à Lady Holderness nous avons parlé du Baron Nagle, qui part avec sa famille pr la Hollande le 28 de ce mois &c. Été au Levé qui était fort nombreux

4. *Tuesday.* Dined at General Dalling's where was a large party ; sat at table till half past ten. Good dinner ; good wine.

5. *Wednesday.* My nephew came to breakfast with me, and on returning to the City wrote me a note to let me know that during last night all the sailors on the Thames, had been pressed, and that war was on the point of being declared against Spain, which had seized five of our ships near Cook's River [Nootka Sound] and the Funds had fallen three per cent.

Mathews and Dr Barr dined with me. McLean came after dinner and spent the evening at Mr. Patison's. Played two rubbers ; lost half a guinea.

6. *Thursday.* Answered the letter from the Treasury respecting the officers of the Provincial Marine at Quebec.

The *Gazette* publishes the speech sent by the King to Parliament. Dined at Colonel Marsh's with Powell, Mathews, Williamson, General Caswell, Colonel Bruce and Small. Played four rubbers.

7. *Friday.* General Powell, Mathews, Mons, L. and Colonel settled the difference I had with General Morrison respecting the clothing for the draughts, and agreed that the difficulty arose from the order given very improperly by General Campbell, who commanded in Nova Scotia, to clothe the draughts ; but to settle the matter, they agreed that Morrison and I should divide the expense caused by this error.

Went to my nephew's. From there to the levées, at which the King was very gracious. Dined at home with Powell, Marsh, Captain Fraser and Mathews.

Went to see Astley's Follies. Supped at Marsh's with the Montressors, Captain McKing [McKenzie ?] young Digby and Finch.

8. *Saturday.* My nephew came to tell me that there had been offered at half past three at the different Exchange offices a wager of twelve guineas to £100 sterling that there would be war with France before six months ; a number subscribed.

N.B.—It is to be presumed that those who risked so much money are well informed.

Called on Colonel Miranda, who might be useful to us on this occasion, &c., &c.

Mr. Bourgeois called and took me to the Exhibition of the Posts (?), with which I was well satisfied.

Called at the Club ; met Admiral Pigot, who is very inquisitive and seemed rather dissatisfied.

Dined and spent the evening at home. I was extremely fatigued, especially in my knees, from which I suffer sitting or standing.

9. *Sunday.* My nephew came to tell me of the reconciliation with Sally, and of the part she has taken.

He read me a letter from his mother, who appears to be uneasy. I went with him to Hampstead, from which I returned fatigued and spent the evening at home.

10. *Monday.* Wrote to Major Mathews, sending him the keys he had forgotten.

Major Benson came to tell me he is getting ready to join my battalion in Canada. Visited Mr. Polier, but did not find him in. Colonel Miranda dined with me and left early. He said he had not been well used by the Spaniards.

11. *Tuesday.* The Funds are still low. Major Murray dined with me. He told me of his service, as well in the Navy as when aide-de-camp to Sir Henry Clinton. Spent the evening at Morrison's ; lost two rubbers.

12. *Wednesday.* Visited Lady Holderness. We spoke of Baron Nagle, who is leaving with his family for Holland on the 28th of this month &c. Was at the levée

en militaire Lord Southampton ma parlé de son fils qui est en Allemagne et qui souhaitoit se marier avec la fille de Lady Lord Dover s'en est mêlé, et blâme my Ld de ce qu'il n'y donne pas son consentement. Cependant le dernier a très fort raison.

www.libtool.com.cn

Jeu dy 13.

Été à la cour qui étoit fort nombreuse Lord Sydney m'invita a diner pr Mercredi prochain. Dinné ches moy.

Vendredy 14.

Mon neveux est venu déjeuner et me dit que le retour du jeune Morisson avoit remis la Paix dans la maison, sa fortune est telle qu'il la ditte.

J'ay donné ordre à mon neveux de m'acheter pr 3 mille L. dans les 3 pr 100 consolidés.

J'ay été ches Ld Amherst au sujet des recrues, Il a donné tous les ordres nécessaires aux différents Batt :

N.B. Savoir s'il faut comander les accoutrements, les armes et habillem^{ts} pr l'augmentation.

Les opignons sont toujours partagé si on aura guerre ou non. Les fonds comencent à remonter. Le Baron a dinné ches moy.

Samedy 15.

Été ches les agents au sujet de l'augmentation. Ils mont conseillé de ne pas commander les accoutrements jusqu'à ce qu'on n'en reçoive l'ordre, je leur ay recommandé de Vos en cas qu'il y eût une compagnie vacante.

les deux Barons ont dinné ches moy. Les fonds ont beaucoup augmenté.

Dimanche le 16.

Le Capt. Chain mest venu dire qu'il croyait que le Lt Kersley étoit mort. Il ma prié faire passer l'enseigne Sproll du 4^e. Batt: dans le mien, son Père étant etably dans la nouvelle Ecosse.

J'ay été pr faire visite à Ld Heathfield que je n'ay pas trouvé ches Lui.

Lundy 17.

Passé la soirée ches Lady Amherst Grand monde, joué deux Roberts.

Mardy 18.

J'ay été voir la revue des Dragons d'Éliot. Dinné au clob nous étions une grande compagnie et nous avons eu un mauvais diné, passé la soirée ches Lad Dalling ou il y avoit beaucoup de monde perdu deux Roberts contre Md Duhaine.

Mercredy. 19.

Le Capt. Twiss (qui est arrivé de Portsmouth par ordre des commissaires des Contes, au sujet des affaires du feu Guy Johnson) m'est venu faire visite.

Messrs le Col. Polier, Perceval, les deux Christies & Mr Ceranville ont dinné ches moy. Ils se sont retiré à 9 heures.

fait visite au Col. de Miranda qui croit toujours la guerre inévitable avec l'Espagne et il suppose qu'elle occasionera une revolution en faveur de l'Amérique Espagnolle, & par conséquent dans la cisteme generale de l'Europe. Mr Perceval loge dans Cheapside 102.

Jeu dy 20.

Dinné ches Lord Sydney. passé la soirée ches le Col. Marsh, ou Il y avoit beaucoup de monde en Femmes & homes, on y a dansé avant & apres soupé revenu ches moy a 2. heures.

Vendredy 21.

fait quelques visites & porté des cartes au Duc de Dorset, & Lord Amherst, j'ay pu comprendre par le Baron Alvensleben que le Roy me parleroit au sujet de la seconde Guerre de Boheme ou le Marechal Tour commandoit les Autrichiens, &c. Le Col. Goldsworthy me dit qu'il étoit absolument nécessaire qu'on envoyat un offic. Genl a Gibraltar, &c. &c.

Samedy 22.

les deux Barons ont dinné ches moy. passé la soirée ches Mr. Morriison gagné 2 Roberts et revenu à 11 heures.

fait visite à Lord Dover, & a M. Jⁿ York, Bade a dinné ches moy nous sommes allé de la ches Mr Nagle et au Club.

which was well attended by the military. Lord Southampton spoke to me of his son, who is in Germany and who wished to marry the daughter of Lady Lord Dover was mixed up in it and blames His Lordship for not giving his consent to it. However the latter has very strong reasons.

13. *Thursday*. Was at Court, which was very numerously attended. Lord Sydney invited me to dine on Wednesday next. Dined at home.

14. *Friday*. My nephew came to breakfast, and told me that the return of young Morrison had restored peace to the house; his fortune is what he said.

Gave an order to my nephew to purchase £3,000 in the three per cent. consols. Went to Lord Amherst concerning recruits; he gave all the necessary orders to the different battalions.

N.B.—To ascertain if it is necessary to order the accoutrements, arms and clothing for the augmentation.

Opinions are still divided as to whether there will be a war or not. The Funds begin to rise. The Baron dined with me.

15. *Saturday*. Was at the agents respecting the augmentation. They advised me not to order the accoutrements till I received orders to do so. I recommended Devos to them, should there be a vacant company.

The two Barons dined with me. The Funds have risen considerably.

16. *Sunday*. Captain Chain [Cheyne?] came to tell me that he believed Lieutenant Keirsley was dead. He begged me to transfer Ensign Sproll [Sprott?] of the fourth battalion into mine, his father being settled in Nova Scotia.

Went to visit Lord Heathfield, but did not find him at home.

17. *Monday*. Spent the evening at Lady Amhorst; a crowd; played two rubbers.

17. [18] *Tuesday*. Went to see the review of Elliot's Dragoons. Dined at the Club; we were a large company and had a bad dinner. Spent the evening at Lord Dalling's; there was a large company. Lost two rubbers with Mrs Duhaine [Duane?].

19. *Wednesday*. Captain Twiss, who has come from Portsmouth by order of the Commissionners of Accounts, respecting the affairs of the late Guy Johnson, came to pay me a visit.

Colonel Polier, Perceval, the two Christies, and M. de Seranville dined with me. They left at nine.

Paid a visit to Colonel Miranda, who still believes war with Spain inevitable, and supposes it will occasion a revolution in favour of Spanish America, and consequently in the general system of Europe. Mr. Perceval lodges at 102 Cheapside.

20. *Thursday* Dined at Lord Sydney's. Spent the evening at Colonel Marsh's where there was a number of people, men and women, with dancing before and after supper. Home at two o'clock.

21. *Friday*. Made a few visits and left cards on the Duke of Dorset and Lord Amherst. I understood through Baron Alvensleben, that the King would speak to me respecting the second Bohemian war, in which Marshal Tour commanded the Austrians &c. Colonel Goldsworthy told me that it was absolutely necessary that a general officer should be sent to Gibraltar, &c., &c.

The two barons dined with me. Spent the evening at Mr. Morrison's; won two rubbers; home at eleven.

22. *Saturday*. Visited Lord Dover and Mr. J. York. Budé dined with me and we went to Mr. Nagle's and the Club.

J'ay passé le matin chez Lady Mary Horben qui ma fait present de deux desseins de son ouvrage.

Été chez Lord Heathfield qui se preparoit a partir pour Aix la Chapelle, d'où il se rendra à Gibraltar.

Dimanche 23.

fait visite au Baron Alvensleben qui me dit qu'on avoit des avis que les Russes, & les Autrichiens avoient formé le dessein de rester sur la deffensive, Contre les Turcks afin de pouvoir opposer leurs forces reunies contre le Roy de Pruce, que les Russes avoient déclaré aux Polonois qu'ils entreroient en Pologne du moment qu'ils attaqueroient la Gallicie. Dinné à Hamstead avec le Col. Polier Messrs Christie et Perceval.

Lundy 24.

Dinné chez M. de Gueffardieu ou j'ay fait Connaissance avec M. de Montmolin, Mr & M^{de} Roagers 2. Dames appartenant aux Princesses le Col. Polier, le col. qui a servy aux Indes, un M. Buguan est venu la soirée avec M. Francklin. Joué 3 Robers que j'ay perdu.

Mardy 25.

Dinné chez Lord Heathfield avec celui qui a écrit *the antioipation*, un aimable homme, je ne me portois pas bien, & suis revenu de bonne heure.

Mercredy 26.

M Dumier m'est venu faire visite, & ma beacoup entretenu sur les différens qu'il a eu avec Mr Christman.

Le Col: Small & le Col. Frazier mont fait visite.

Mon neveux m'est venu communiquer une Lettre de sa mère, qui est informée du mariage de Sally.

Reçu une Lettre du Capt Deschambault sans datte et sans savoir d'où il écrit.

Jeudy 27.

Été à St. Mary Axe, dinné chez moy & passé la soirée chez Lady Yong ou j'ay joué 3 Robers—revenu à 1. heure.

Vendredy 28.

Le Capt. Bartholomey de la marine est venu chez moy, pr me remercier de ce que j'ay fait pr lui en Canada.

Le Capt. Shanck est venu me communiquer un billet qu'il a reçu ce matin de Nepean pour se trouver demain à midy à l'office ou M. Grenville souhaite de Lui parler, Nepean ma envoyé un billet pr le faire parvenir au Major Mathewa, Je suppose qu'on projette quelqu'expédition. Je lui ay envoyé la Lettre à Bridge North.

Christie le cadet m'est venu faire part de la conversation qu'il a eu avec la mere de Mr Rushout que j'ay trouvé fort malplassée Il paroît qu'on veut se défaire de Christie, & il me paroît de meme que sa belle sœur, souhaitteroit qu'il retournat en Suisse. Le Portrait qu'il m'en a fait me fait croire que son frere ne sera pas fort heureux avec elle.

passé chez le Baron A: point encore de nouvelles d'Allemagne passé la soirée chez Mr de Montmolin avec M. & Mad. de Guifardien, Mad. Christie, son beau frere M. Francillon & quelques autres Personnes.

J'y ay appris la mort du Duc de Montagu qui paroît fort regretté, il laisse bien des beaux emplois vacant, revenu onze heure.

Samedy le 29^e

J'ay écrit ce matin un billet au Colonel Polier en Lui envoyant douze Louys neuf le priant de m'acheter 4 ou 5 pieces des plus beaux mouchoirs des Indes à Ostende & de lui charger jusques en Suisse.

Rencontre Sir Hary Clinton avec lequel je me suis promené. Il me dit que le Duc de Gloster étoit fort porté pour que l'Angleterre prit des Troupes Suisses à Son Service, Je lui ay voir l'inconvenient qu'il y auroit au sujet de la capitulation des Suisses qu'il ne connoissoit pas &c. Il me dit qu'il avoit appris du gen^l Losser que les Prussiens étoient marché le 15.

Le G^l Williamson doit être L: G: de la Jamaïque. L^d Dorchester revient certainement mais retournera en Canada.

Called in the morning at Lady Mary Horben's (?) who presented me with two drawings done by herself.

Was at Lord Heathfield's, who was preparing to leave for Aix-la-Chapelle, whence he will go to Gibraltar.

23. *Sunday.* Visited Baron Alvensleben, who said that there were advices that Russians and Austrians had formed the design of remaining on the defensive against the Turks in order that they might be able to oppose their united forces against the King of Prussia: that the Russians had informed the Poles that they would enter Poland the moment they should attack Galicia. Dined at Hampstead with Colonel Polier, the Messrs. Christie and Perceval.

24. *Monday.* Dined at M. Guisfardien, where I made the acquaintance of M. de Montmolin, Mr. and Mrs. Rogers, two ladies attached to the Princesses, Colonel Polier, Colonel who has served in India, A Mr. Buguan [Bushan?] came in the evening with Mr. Franklin. Played three rubbers, which I lost.

25. *Tuesday.* Dined at Lord Heathfield's, with the author of the Anticipation, an amiable man. I was not feeling well and went home early.

26. *Wednesday.* Mr Dumier (?) came to call; amused me greatly with the difference he has had with Mr. Christman.

Colonel Small and Colonel Fraser called.

My nephew came to communicate to me a letter from his mother, who has been informed of the marriage of Sally.

Received a letter from Captain Deschambault without date or the name of the place from which it is written.

27. *Thursday.* Was at St. Mary Axe. Dined at home and spent the evening at Lady Yonge's, where I played three rubbers. Home at one o'clock.

28. *Friday.* Captain Bartholomew of the Navy called to thank me for what I had done for him in Canada.

Captain Schank came to communicate to me a note he received this morning from Nepean to be at the office at noon to-morrow, where Mr. Grenville wishes to speak to him. Nepean sent me a note that it might reach Major Mathews. I suppose some expedition is proposed. I sent the letter to Bridgenorth.

Christie the younger came to tell me the conversation he had with the mother of Mr. Rushout, which I thought ill judged. It appears that they wish to get off Christie, and it appears to me also that his sister-in-law wished he should return to Switzerland. The portrait he drew makes me believe that his brother will not be very happy with her.

Called on Baron Alvensleben. No news yet from Germany. Spent the evening at Madame de Montmolin's with M. and Madame Guisfardien, Mrs. Christie, her brother-in-law, M. Francillon, and some other people.

Learned there of the death of the Duke of Montague, who appears to be greatly regretted; he leaves a number of good offices vacant. Home at eleven o'clock.

29. *Saturday.* This morning I wrote a note to Colonel Polier, sending him twelve new louis, asking him to purchase for me four or five pieces of the finest Indian handkerchiefs at Ostend and to take charge of them to Switzerland.

Met Sir Henry Clinton with whom I took a walk. He told me that the Duke of Gloucester was much inclined that England should take Swiss troops into its service. I showed him the inconvenience which would arise from the capitulation of Swiss troops, which he did not know, &c. He said he had learned from General Losser that the Prussians had marched on the 15th.

General Williamson is to be Lieutenant Governor of Jamaica. Lord Dorchester is certainly returning but will go back to Canada.

Dimanche 30.

fait quelques visites & dinné chés moy.

Lundy 31.

Le Major Mathews est arrivé ce matin. Il avait reçu une Lettre de Mr Nepean outre celle que je lui avois envoyée.

Jettay a l'office de Mr Grinville à midy. Il me demanda si je croyois qu'en delivrant des Postes du Canada la Traite avec les [Savages] perdit beaucoup, et si en fortifiant des Postes apposés à ceux là on pourroit s'asseurer cette Traite. Il souhaitoit qu'en delivrant des Postes on peut obtenir des Ameriquains une communication avec le Mississippy. Je lui dis qu'à l'égard de la Traite on en perdroit certainement une partie, mais cette perte seroit pouthetre réparée par les marchandises que nos Negotiants [vendroient] aux ameriquains qu'au reste, Je croiois que si les Americains insistoient à avoir les postes que je croyois qu'on pourroit se faire une meritte en les Leurs delivrant, que s'ils etaient déterminés à les avoir, qu'ils estoient si nombreux qu'ils pourroient les prendre quand Ils jugeroient à propos que je ne croiois pas que la Grande Bretagne voulut entreprendre une guerre pr les deffendre, Je lui montray quels Postes il conviendroient de prendre, pour former une communication &c. Il me pria de mettre mes Idées sur ce sujet par escrit &c.

Mathews fut appellé après moy, & on lui fit à peu pres les memes questions en le priant aussi de mettre ses Idées par escrit des qu'il seroit arivé au Regiment. Nous sommes allé après dinné faire visite à Corre & à mon neveux.

Mardy 1^e Juin.

Employé toute la matinée à chercher les Plans, qui peuvent donner quelques idées de la Province de Quebec & des endroits ou on devroit batir des Postes.

Le Colonel Cammell est venu me prier de parler au Secretaire de la Guerre au sujet du Ranc de Colonel qu'il espere d'obtenir. Je Lui ay donné une Lettre pr le Secretaire de la Guerre datté d'aujourd'huy. Le Capt. Frazier & Mathews ont dinné chés moy.

Mardy 2.

Été au Levé dinné chés le Ba Alvensleben le Mj. Mathews est party pr son regiment.

L'American Club s'est assemblé aujourd'huy pr la dernière fois de la saison.

Jedy 3.

passé la soirée chés M. Morisson perdu 2 Robers et deux Paris.

Vendredy 4.

Jour de naissance du Roy, qui a été fort brillant, Diné chés Ld Amherst en militaire revenu chés moy à 9 $\frac{1}{2}$.

Samedy 5.

Été à St. Mary Axe. dinné chés Lady Holdernesse avec Md Harquart [Harcourt] Mrs Johnson belle femme, Mr & Budé fait visite en blanc à Lady Amherst & Fosset, passé la soirée au club, on j'ay vu par la gasette, les avantages que. les suedois ont remporté sur les Russes.

Dimanche le 6.

J'ay été avec mon neveux pour voir une maison qui a appartenu à M. Berrings, qui est à coté de celle du Duc de Chandos; la maison, quoique d'un gout singulier, m'a paru jolie & commode. Il y a 40 arpants de Terrain autour le tout bien situé.

Le Baron Regensfeld a dinné chés moy. Il a parlé fort sombrement sur l'Etat des pretentions que les Espagnols forment sur la navigation et les Cottes du passifique Ocean, & sur la jalousie que les Holandois thémoinnent sur notre Etablissement au Botany Bay.

Il me dit que le gouvernement Espagnol avoit demandé à la france si elle la soutiendrait au cas qu'elle eut guerre avec L'Angleterre, &c. &c.

Lundy 7.

Le Col. Polier a dinné chés moy. Il est enthousiasme de la Campagne qu'il a acquis de Lausanne et s'impatiente de pouvoir s'y rendre. Il me dit qu'il avoit cultivé dans l'Inde onze arpents en Rosier qui lui a produit Livres de Rose qui par la distillation ne lui avoit produit que 8 onces de essence.

30. *Sunday.* Paid a few visits and dined at home.

31. *Monday.* Major Mathews arrived this morning. He had received a letter from Nepean besides the one I sent him.

Was at Mr. Grenville's office at noon. He asked me if I believed that by giving over the posts in Canada, the trade with the Indians would lose much, and if by fortifying posts opposite them that trade might be secured. He wished in giving up the posts, that a communication with the Mississippi could be obtained from the Americans. I told him that with respect to the trade a part would certainly be lost, but that this loss would perhaps be made up by the goods that our merchants [would sell] to the Americans, and further, I believed that if the Americans insisted on having the posts, a merit should be made of giving them up; that if they were determined to have them, they were so numerous they could take them when they thought proper; that I did not believe Great Britain would undertake a war to defend them. I showed him what posts it would be proper to take to form a communication, &c. He asked me to put in writing my ideas on the subject.

Mathews was called after me and almost the same questions put to him, desiring him to put his ideas in writing when he had joined his regiment. We went after dinner to call on Coore and my nephew.

June.

1. *June. Tuesday.* Employed all morning in looking for plans which may give an idea of the Province of Quebec and of the places where posts could be built.

Colonel Cammel called to ask me to speak to the Secretary of War on the subject of the rank of Colonel which he hopes to get. I gave him a letter to the Secretary of War dated to-day. Captain Fraser and Mathews dined with me.

2. *Tuesday.* [Wednesday]. Was at the levée. Dined with Baron Alvensleben. Major Mathews has gone to join his regiment.

The American Club met to-day; the last time for the season.

3. *Thursday.* Spent the evening at Mr. Morrison's; lost two rubbers and two bets.

4. *Friday.* King's birthday, which was very brilliant. Dined at Lord Amherst's in uniform; home at half past nine.

5. *Saturday.* Was at St. Mary Axe. Dined at Lady Holderness's with Mrs. Harquart [Harcourt], Mrs. Johnson, a beautiful woman, Messrs. and Budé. Made a call on Ladies Amherst and Fawcett. Spent the evening at the Club, where I saw by the papers the advantages gained by the Swedes over the Russians.

6. *Sunday.* Went with my nephew to see a house which belonged to Mr. Berrings; it is beside that of the Duke of Chandos. The house, although of singular taste, appears to be pretty and commodious. There are 40 acres of ground about it; the whole is well situated.

Baron Regensfeld dined with me. He spoke in gloomy terms on the state of the claims the Spaniards set up to the navigation and coasts of the Pacific Ocean and the jealousy shown by the Dutch to our settlement at Botany Bay.

He told me that the Spanish Government had asked France if she would support her in case she should go to war with England, &c., &c.

7. *Monday.* Colonel Polier dined with me. He is enthusiastic about the property he has purchased in Lausanne, and is eager to get there. He told me that in India he had cultivated eleven acres of rose bushes, which had produced pounds of roses, giving by distillation only eight ounces of essence.

Mardy 8.

J'ay renvoyé mon Domestique John Thomson et quoyqu'il me redit [redoit] 5 ou 6 £. Sterling je Lui ay fait présent de Trois guinées, fait présent a Engail d'une guinée. J'ay payé aujourd'huy à mon Tailleur Fisher pr solde de tout conte £100 St. par un bill sur mon banquier.

Le Baron a dinné ches moy.

Mercredy 9.

passé à l'office de Mr Grenville pour parler à Nepean que je n'ay pas pu voir, j'ay beaucoup promené, passé chez Ld Amherst qui me dit qu'il avoit escrit au Chevallier Yong au sujet du Lt qu'on a passé dans mon Batt. Adair a diné ches moy. resté au Logis.

Jedy 10.

Resté toute la journée au Logis—occupé a écrire et a Lire.

Le Vendredy 11.

Dinné ches le col. Crosbie avec le G^l Morisson Davison, Mr Lewis et quelques autres messieurs. Nous avons eu un très bon dinné & très bien servy.

Samedy, 12.

Mr Mandrot est venu diner chés moy, qui ma donné toutes les nouvelles d'Yverdun.

Mon neveux est party aujourd'huy pour l'Isle de White [Wight].

Le Lt Prevoat qui est arrivé de: Isles m'est venu voir, Il est fort impatient d'avoir une compagnie.

Le Baron a dinné chés moy, & je suis allé faire un tour de promenade en voiture.

Dimanche le 13.

fait visite à Mr Wallace qui ma apporté tout ce qu'il a p^t trouver dans les livres de son frere concernant mon conte avec M. Daniel Delaney pour la vente de ma ferme du Maryland. Il me conseille de lui écrire pour le prier lui-même de m'envoyer son Conte, & de retirer ce qui pourroit m'être encore dû.

Il est d'avis que nous devons proposer à Mr Blower d'acheter nos droits sur Chipody, seul ou avec Lettres de Justice Ludlow de la province de Bronswick, j'y ay consenty comme le seul moyen qui nous reste pour en retirer quelque chose.

Lo C. Miranda & le Baron ont dinné chés moy, ils croyent tous les deux la guerre avec L'Espagne inevitable.

Lundy le 14.

J'ay reçu une Lettre de Maj. Mathews dattée du onze. Il me dit que le Régimt^t avait ordre de se rendre a Chatham et qu'il partoit ce jour la avec la première division et qu'il seroit 20 jours en marche.

Le Capt Shanck est venu déjeuner avec moy. J'ay signé le certificat qu'il avoit donné au Capt Alkro [Halcro]. J'ay prié le Capt Shanck de porter 10 guinées à Madame Cramahé, pour 4 douzaines de madere que Cramahé m'avait prêté à mon arrivé en Canada & que mon domestique avoit negligé de remplasser. Ayant lieu d'être mécontent de mon Domestique Louys Mathey Je lui ay dit que son service me convenait pas et qu'il pourroit se chercher un maitre Je l'avois engagé le 18 Mars à raison de 30 guinées par année de sorte que le 17 Juin Il m'aura servy le $\frac{1}{2}$ d'une année.

Mardy 15.

Le Courier d'Espagne est arivé ce matin et rien ne transpire des nouvelles qu'il doit avoir apporté.

Le Capt Shanck qui a dinné chés moy me dit que Mad^e Cramahé avoit obtenu une pension de 150 L. dinné et passé la soirée chés moy.

Mercredy le 16.

Mon neveux qui est venu déjeuner avec moy ma comuniqué La Lettre que Mr Mandrot lui avoit apporté. Sa mere lui marque que ma sœur J. a laissé 75 onces d'argenterie, outre ce qu'il y a au chapitret, & soixante & neuf Suisse argent contant dont le $\frac{1}{2}$ partie interet.

Eté au Levé qui étoit fort nombreux pour la saison. On croit en general que les nouvelles qui sont venues d'Espagne ne sont pas favorables, que les deux courans sont trop pressées, & qu'il sera difficile d'éviter la guerre.

8. *Tuesday*. Dismissed John Thomson, my man servant, and although he owes me £5 or £6 sterling I made him a present of three guineas and made a present to Enguil of a guinea. To-day I paid my tailor, Fisher, in full of my account, £100, by a cheque on my banker. The Baron dined with me.

9. *Wednesday*. Called at Mr. Grenville's office to speak to Nepean, whom I could not see. Walked a great deal. Called at Lord Amherst's, who told me he had written to Sir George Yonge respecting the Lieutenant whom he had placed in my battalion. Adair dined with me; stayed at home.

10. *Thursday*. Stayed indoors all day engaged in writing and reading.

11. *Friday*. Dined at Colonel Crosbié's with General Morrison, Davison, Mr. Lewis and some other gentlemen. We had a very good dinner, very well served, &c.

12. *Saturday*. M. Mandrot came to dine with me and gave me all the news from Yverdun.

My nephew left to-day for the Isle of Wight.

Lieutenant Prevost, arrived from the West Indies, came to see me; he is very impatient to get a company.

The Baron dined with me and I went for a drive.

13. *Sunday*. Paid a visit to Mr. Wallace, who brought all he could find in his brother's books concerning my account with Mr. Daniel Delancy for the sale of my farm in Maryland. He advised me to write him to request that he would himself send me his account and to settle what might be still due.

He is of opinion that we should propose to Mr. Blower to purchase our rights over Shipody, alone or with letters from Justice Ludlow of the Province of Brunswick. I consented as the only means left to get anything out of it.

Colonel Miranda and the Baron dined with me; both believe war with Spain to be inevitable.

14. *Monday*. Received a letter from Major Mathews dated the 11th. He told me that the regiment was ordered to Chatham; that he was leaving that day with the first division, and that he would be twenty days on the march.

Captain Schank came to breakfast. I signed the certificate he had given to Captain Alkro [Halcro]. I asked Captain Schank to carry ten guineas to Mrs. Cramahé, for four dozen of Madeira which Cramahé had lent me on my arrival in Quebec, and which my servant had neglected to replace. Having reason to be dissatisfied with my servant Louis Mathey, I told him his services did not suit me and that he could look for another place. I engaged him on the 18th of March at the rate of 30 guineas a year, so that on the 17th June he will have served for quarter of a year.

15. *Tuesday*. The courier from Spain arrived this morning, but nothing is known of the news he must have brought.

Captain Schank, who dined with me, told me that Mrs. Cramahé had been granted a pension of £150. Dined and spent the evening at home.

16 *Wednesday*. My nephew, who breakfasted with me, communicated the letter Mr. Mandrot brought him. His mother tells him that my sister J. has left 75 ounces of silverware, besides what there is at the charpitret (?) and sixty-nine Swiss (?) cash, of which one-fourth is at interest.

Was at the levée which was very full for the season. It is generally believed that the news from Spain is unfavourable; that the two Courts are too exacting and that it will be difficult to avoid war.

Mr Adair a dinné chez moy, & nous avons fait ensemble le tour de heighgate.
Jedy 17.

Été à la cour qui étoit fort brillante. Il na rien transpirer de nouveau.
www.libtool.com Vendredy 18.

Mandrot qui est venu déjeuner avec moy, ma fait l'histoire d'Yverdon, J'ay été à la citty de la au club, & dinné chez moy, avec Budé, qui me dit qu'il avoit 400 & quelques livres St. de ses propres revenues sans conter les bienfaits du Roy.

Samedy 19.

Le jeune Mandrot & Bourgeois sont venu déjeuner chez moy, ils me paroissoit des jeunes gens de bonne conduite propre au club, le Baron & Way ont dinné chez moy. Je Dernier a reçu des Lettres de Vienne du 4^e de ce mois, ou on lui dit qu'il y a une espèce d'amnistie [armistice] entre les Autrichiens & les Turcks, & qu'on croyait la paix prochaine, & Regensfeld qu'il savoit pr certain que notre ministaire avoit des avis du Continent & se persuadoit qu'il y auroit dans peu de temps une paix generale.

On est toujours dans l'inabilité sur les affaires d'Espagne, on dit que la France a fait offrir la médiation, mais que notre Cour la refusée poliment.

J'ay écrit au Maj Mathews.

Dimanche le 20.

Occupé toute la matinée a examiner des Papiers, le Baron et Mr Adair ont dinné chez moy. Fait visite à M. Coore ou j'ay trouvé mon neveux qui y avoit dinné.

Je l'ay remise à Hamstead.

Je finis hier (en présence de mon neveux) mon Conte avec William Tuckfield, qui fut ba]lancé & Je lui ay avancé pour la demy année à venir £18-18-St. & je lui ay fait présent de quatre Guinées.

Lundy 21.

Messrs Mandrot & Christie avec M. Bourgeois & mon neveux ont dinné chez moy. Il a fait fort chaud toute la journée, & je suis resté la soirée chez moy.

Mardy 22.

Beau temps & fort chaud. Le Col. Miranda dinné chez moy, promené la soirée en voiture. Été au foxhall [Vauxhall] avec M. Miranda.

Mercredy. 23.

Le G^l Powell qui est arrivé ce matin a dinné chez moy, & nous avons fait un tour en voiture.

Jedy 24.

J'ay été déjeuner avec mon Neveux a Hamstead. fait visite au Baron Nagle. Regensfeld a dinné chez moy.

Vendredy 25.

passé au club. On croit que nous aurons guerre. Le Col. Marsh & le G^l Powell ont dinné chez moy nous sommes allé à Curahelag et à Venelac [Ranelagh] revenu à minuit.

Samedy 26.

Le Baron R. a dinné chez moy & nous avons fait une promenade en voiture. Le G^l Powell est reparty aujourd'huy pour Wharwick.

Dimanche 27.

Mr Prevost m'est venu présenter le jeune Prevost qui vient de Colmar. Il me paroit le plus joly de la famille. Le Baron Way dinné chez moy.

Lundy 28.

Promené dans la matinée passé la soirée chez M^d Murray ou j'ay fait trois Roberts. J'ay finy tous les Contes du menage avec Louye Matthey.

Mardy. 29.

Le Baron a dinné chez moy. Davisson est venu prendre le caffè et nous avons fait une promenade à Heighgate ensemble.

Il me dit que le Juge Smith avoit presente une requette au Congres, demandant la permission de retourner vivre parmi eux.

J'ay écrit un billet au G^l Budé pour lui faire comprendre la difficulté qu'il y a d'entrer dans notre Regimt à moins que d'acheter.

Mr. Adair dined with me and we took a stroll to Highgate together.

17. *Thursday*. Was at the Court, which was very brilliant. Heard nothing new.

18. *Friday*. Mandrot who came to breakfast gave me the history of Yverdun. Was at the City; thence to the Club, and dined at home with Budé, who told me that he had upwards of £100 of an income of his own, without counting the King's benefits.

19. *Saturday*. Young Mandrot and Bourgeois came to breakfast. They seemed well conducted young men, suitable for the Club. The Baron and Way dined with me. The latter has received letters from Vienna of the 4th of this month, which state that there is a kind of amnesty [armistice] between the Austrians and Turks and peace is believed to be near. Regensfeld said he knew for certain that our Ministry had advices from the Continent and were persuaded that there would be a general peace in a short time.

There is always an inability to judge of Spanish affairs. It is said that France has offered its mediation, but that our Court has politely refused it.

Wrote to Major Mathews.

20. *Sunday*. Engaged all morning examining papers. The Baron and Adair dined with me. Paid a visit to Mr. Coore, where I found my nephew, who had dined there. Went with him to Hampstead.

I settled yesterday (in presence of my nephew) my account with William Tuckfield, which was balanced, and I advanced him, for the coming half year, £18 18s., and made him a present of four guineas.

21. *Monday*. Messrs. Mandrot and Christie, with Mr. Bourgeois and my nephew, dined with me.

It was very warm all day, and I remained at home in the evening.

22. *Tuesday*. Fine weather and very warm. Colonel Miranda dined with me. Took a drive in the evening. Went to Foxhall [Vauxhall] with Mr. Miranda.

23. *Wednesday*. General Powell, who arrived this morning, dined with me, and we took a drive.

24. *Thursday*. Breakfasted with my nephew at Hampstead. Visited the Baron Nagle. Regensfeld dined with me.

25. *Friday*. Called at the Club. It is believed that we shall have war. Colonel Marsh and General Powell dined with me; we went to Carshelag and Venelac [Ranelagh?]. Returned at midnight.

26. *Saturday*. The Baron Regensfeld dined with me, and we took a drive. General Powell left again to-day for Warwick.

27. *Sunday*. Mr. Prevost called to present the young Prevost who has come from Colmar. He appears to be the best looking of the family. Baron Way dined with me.

28. *Monday*. Took a walk in the morning. Spent the evening at Mrs. Murray's, where I played three rubbers. Settled all the household expenses with Louis Mathey.

29. *Tuesday*. The Baron dined with me. Davison came to take coffee, and we took a walk to Highgate together.

He told me that Judge Smith had presented a petition to Congress asking permission to return and live among them.

Wrote a note to General Budé to let him understand the difficulty of getting into our regiment except by purchase.

Mon nouveau Domestique Andre Falkner est entré chez moy comme valet de chambre et bouteiller. Je lui ay promis 40 L. st. par année, sans qu'il puisse pretendre autre chose que sa nourriture, soit chez moy ou en voyage.

M. Ferdinand Christie est venu chez moy pour me dire qu'il s'étoit arrangé avec M. de Colone pour voyager avec son fils. Il lui accorde 200 L: St: par année, mais il faut qu'il se pourvoye lui même d'un Domestique.

Mercredy, 3^e.

Mr Mandrot est venu dejeuner chés moy, et me dit qu'il auroit proposé son Beau frere Ambergonois pour M. de Colone si Christie n'avoit pas accepté l'employ. Il me dit que tout étoit tranquille en Suisse, mais qu'on y étoit fort lasse des François, qui y introduisoit le jeu & la dissipation. C'est une race abominable partout.

Jendy le 1^{re} Juillet.

J'ay payé 10. guinées a Louys Mathey pour ses Gages de 4. mois qui finissent au 17. juillet. Il est tres Content de moy mais se plaint de Made Fairchild. C'est un Sot dont je suis bien aise d'etre debarassé.

Remis à Falkner

6. Bout. Port	} Il y avoit deja
7. d. Madere	
7. d. Cherés	
7. petit Bourgoy	
1. Champ. Blanc	
1. d. Rouge	2. B ^{tt} Vin de Suisse
	3. Vin Muscat
	1. de Cidre.

Je lui ay donné un Bill de £10 St.

Le Baron R. a dinné chés moy.

J'ay appris la mort du G^l Ray, qui est une vraye perte pour l'armée & les sciences.

Vendredy, 2. Juillet.

passé à la oitté & chés Mr Christie qui me dit que tout étoit arrangé avec M. de Callone & son frere et qu'il devoit partir Lundy prochain.

Le pauvre Saranville est entierem^t derangé

J'ay acheté une Tabatière d'or dont j'ay payé 18 guinées.

J'ay vu Ld Amherst qui me dit que M. Pitt s'étoit emparé du Militaire et que Sr George Yong ne faisoit rien sans ses ordres. Ogilvie me dit la même chose.

Samedy 3.

Mr Adair a dinné chés moy & ma fait part de la Lettre que Made Prevost a reçu de sa sœur, ou il paroît qu'elle et M. le Chigran ont deessein de se retirer. fait visite à M^{rs} Coore.

Ecrit à Bude, au sujet de Twiss & du Maj. Mathews.

Dimanche le 4-

Dinné seul, promené et passé la soirée chés moy.

Lundy 5.

Davisson a passé chés moy et me dit que le conseil assembloit tous les jours, & que dans peu de jours on sauroit s'il y a Guerre ou Paix. Il croit que le chev. Gray aura le Comandem^t d'une expedition, pour la quelle on employera 4,000 hommes de Troupes Allemandes. Il me demandoit si je ne croyois pas que son frere fut propre pr servir de Secretaire aupres du G^l Gray, qu'il ecrivait bien l'anglois & le françois &c. &c. Cecy me fait raitre des souçons. Le Col. Miranda & le Docteur Adair ont dinné chés moy—resté la soirée au Logis.

Mardy 6e

Mon neveux est venu dejeuner chés moy et me dit que les jeunes gens auroient ensemble une fortune de 44,000 St.

Reçu ce matin une Lettre de Capt Freeman qui me marque que mon neveux Devos a beaucoup deponé mais qu'il se conduit honorablem^t &c. &c. Reçu une Lettre de Mons. Jenkins Williams qui me remercie d'avoir acheté une commission pr son fils Il souhaite d'acheter aussi la lieutenance.

Reçu aussi une Lettre de Maban du 6^e juin. Celle de Capt Freeman est du 27 May & celle M. Williams du 7 juin.

My new man servant, Andrew Falkner, has come as valet and butler. I have promised him £40 a year, with no further claim, beyond his board, either at home or travelling.

Mr. Ferdinand Christie came to tell me that he had arranged with M. de Calonne to travel with his son. He gives him £200 a year, but he must provide himself with a servant.

30. *Wednesday.* Mr. Mandrot came to breakfast, and told me he would have proposed his brother-in-law, Aubergonois, for M. de Calonne, if Christie had not accepted the position. He said that everything was quiet in Switzerland, but that they were tired of the French, who were introducing play and dissipation. It is an abominable race everywhere.

July.

1. *Thursday.* I paid 10 guineas to Louis Mathey for his wages for the four months ending on the 17th July. He is well pleased with me, but complains of Mrs. Fairchild. He is a fool of whom I am glad to be rid.

Handed to Falkner :—

6 bottles Port.

7 do Madeira.

7 do Sherry.

7 petit Burgundy.

1 White Champagne.

1 Red Champagne.

} There were already 2 bottles Swiss
Wine, 3 Muscat wine, 1 Cider.

I gave him a ten pound note.

Baron Regenfeld dined with me.

Learned of the death of General Roy, a great loss to the army and to science.

2. *Friday.* Called at the City and at Mr. Christie's, who told me that everything was arranged between M. de Calonne and his brother, and that he was to set out on Monday next.

Poor Seranville is entirely deranged.

Bought a gold snuff box, for which I paid 18 guineas.

Saw Lord Amherst who told me that Mr. Pitt had taken control of the military and that Sir George Yonge would do nothing without his orders. Ogilvie told me the same thing.

3. *Saturday.* Mr. Adair dined with me and told me the contents of a letter which Mrs. Prevost has received from her sister, by which it appears that she and M. le Chigran intend to retire.

Visited Mrs. Coore.

Wrote to Budé respecting Twiss and Major Mathews.

4. *Sunday.* Dined alone; took a walk and spent the evening at home.

5. *Monday.* Davison called and told me that the Council was meeting every day and that in a few days it would be known whether there would be war or peace. He believes that Sir Grey will have command of an expedition, for which 4,000 German troops are to be employed. He asked if I did not think that his brother would be fit to act as secretary to General Grey, that he wrote English and French well, &c., &c. This excited suspicions in me. Colonel Miranda and Dr. Adair dined with me. Stayed in doors during the evening.

6. *Tuesday.* My nephew came to breakfast and told me that the young people would have together a fortune of £44,000 sterling.

Received this morning a letter from Captain Freeman, who tells me that my nephew Devos has been spending freely, but that he behaves honourably, &c., &c. Received a letter from Mr. Jenkin Williams, thanking me for having purchased [a commission] for his son. He wishes also to purchase a lieutenantancy.

Received also a letter from Mabane of the 6th June. That from Captain Freeman was dated 27th May, the one from Williams the 7th June.

Été au Levé Le R. me demanda s'il n'y avoit point de mecontents en Suisse &c. &c.

fait visite à Lady Holderness le Baron dinné chez moy, été à Hampstead & au Clob, Le G^l Fairfax [Fairfax] me dit qu'il avoit parlé au Roi de Twiss qui lui avoit été recommandé par le Duc de Richmond pour remplacer Ray &c. je lui parlay aussi de Mathewe, mais la Personne est déjà désigné.

Jedy 8.

Mon neveu est venu dejeuné avec moy, & ma fait voir un traite de 21.10 St. que Devos a tiré sur lui, & Il tire de même pour 30 & quelques livres sur moy. sans aucun avis, Il faut reprimer cette conduite.

Vendredy 9.

Les deux Barons ont dinné chez moy.

Samedy 10

Le Maj. Benson m'est venu dire qu'il esperoit de pouvoir former un party pr recruter pr mon Batt.

Le Col. Miranda, les Barons & le Mj. Benson ont dinné chez moy & sont resté presque a 9½ heures.

Dimanche 11^e

Dinné chez le Gen^l Morrisson ou je trouvoy le Col. Marsh & la famille Patisson, qui y logeoient.

dinné chez Mr Davisson apres avoir passé chez le Baron Alvensleben qui étoit allé à Vendsor Mr Nepean qui s'y trouva me dit que Lord Dorchester reviendroit certainem^t au printemps prochain et que vraysemblablem^t il ne retourneroit jamais en Canada, le G^l Clerck dont il dit beaucoup de bien doit partir incessamment pr Québec. Il ma promis de recomander le Dr Maban de la façon la plus forte. Davisson me fit d'autres confidences en me disant que le Col. Simpko [Simcoe] étoit nommé pr le nouveau gouvernem^t — que Lord Dorchester avoit recomandé le chev. Johnson [Sir John Johnson] de la façon la plus forte; & de nomer du Deyce [Dease] pour être surintendant des Indiens. On voit par la que le J. Smith est toujours au gouvernail.

Mardy le 13.

Tiré 60 guinées chez Mes Banq^s je fus chez le Duc de Northumberland pr recomander le jeune Davisson comme Secretaire pr le G^l Clarke, mais le Duc se trouva hors de Ville.

le Capt Prévost qui m'avoit déjà communiqué les manœuvres de son Cousin pr obtenir une compagnie est venu encore ce matin je l'ay envoyé chez L^d Amherst. J'ay appris la mort de L^d Heathfield.

Mardy [Mercredi] 14.

Été chez L^d Amherst. Je lui ay parlé de Prévost, été ensuite à la Cour, le Levé étoit nombreux je pris l'occasion de parler au Secretaire de la Guerre qui me parut fort prevenu en faveur de Pr. Il me dit qu'il avoit eu dessein de m'en parler avant que de rien faire pr Lui.

Jedy 15.

Été à la Cour qui étoit assés nombreux pour la saison, je parlay a L^d Sydney au sujet de Prevost. Il me demarda s'il m'étoit venu voir. Il parut un peu embarrassé. Les Mandrots & mon neveu ont diné chez moy.

Le 16. Vendredy.

J'ay beaucoup marché et suis revenu chez moy fort fatigué Le G^l Grenville Budé & le Baron ont dinné chez moy; je me suis fait excuser chez le B. Alvensleben.

Samedy 17.

Été à St. Mary Axe et chez. Mandrot pour lui porter des pieces du Lustre pr le Capt. Troytorrens.

Le Baron ma dit qu'il étoit arrivé un exprès party de Paris le 14 à cinq heures du soir au Gouvernement ou en marque que tout est parfaitement tranquille. Mr Prevost a passé chez moy. Il a beaucoup parlé sans faire mention de ses manœuvres pour obtenir une Compagnie; je lui annonçay que L^d A [Amherst] exigeroit vraysemblablem^t qu'il rejoignit incessam^t son Batt. Il souhaiteroit d'attendre pr savoir si la guerre seroit declarée ou si on envoyoit des Troupes, afin d'avoir un passage qui ne lui coutoit rien. C'est le second Theme du feu Gen^l de Pisinge.

7. *Wednesday.* Was at the levée. The King asked me if there was no dissatisfaction in Switzerland, &c., &c.

Called on Lady Holderness. The Baron dined with me. Was at Hampstead and the Club. General Fairfax told me that he had spoken to the King about Twiss, who had been recommended by the Duke of Richmond to succeed Roy, &c. I spoke to him also of Mathews, but the person is already designated.

8. *Thursday.* My nephew came to breakfast and showed me a bill for £21. 10, drawn on him by Devos. He had in the same way drawn on me for £30 odds without any advice. This conduct must be checked.

9. *Friday.* The two Barons dined with me.

10. *Saturday.* Major Benson came to tell me that he hoped to form a recruiting party for my battalion.

Colonel Miranda, the Barons and Major Benson dined with me and remained till nearly half past 9.

11. *Sunday.* Dined at General Morrison's, where I found Colonel Marsh and the Patison family, who are lodging there.

12. *Monday.* Dined at Mr. Davison's, after having called at the Baron Alvensleben's, who had gone to Windsor. Mr. Nepean, who was there, told me that Lord Dorchester would certainly return next spring, and that probably he would never go back to Canada. General Clarke, of whom he speaks well, is to leave immediately for Quebec. He promised to recommend Mabane in the strongest manner. Davison gave me further confidences, by telling me that Colonel Simpko [Simcoe] was appointed to the new government; that Lord Dorchester had recommended Sir John Johnson in the strongest manner, and Deyce [Dease] to be superintendent of Indian affairs. It will thus be seen that Judge Smith is still at the helm.

13. *Tuesday.* Drew 60 guineas from my bankers. Went to the Duke of Northumberland to recommend young Davison as secretary for General Clarke, but the Duke was out of town.

Captain Prevost, who had already communicated to me his cousin's schemes to obtain a Company, came again this morning. I sent him to Lord Amherst. Learned of the death of Lord Heathfield.

14. *Wednesday.* Was at Lord Amherst's and spoke to him of Prevost. Then went to the Court; the levée was crowded. I took the opportunity of speaking to the Secretary of War, who seems much prepossessed in favour of Prevost and that he had intended to speak to me before doing anything for him.

15. *Thursday.* Was at the Court, which was pretty full for the season. I spoke to Lord Sydney about Prevost; he asked if he had come to see me, and seemed a little embarrassed. The Mandrots and my nephew dined with me.

16. *Friday.* Walked a great deal and came home very much fatigued. General Grenville, Budé and the Baron dined with me. I sent an apology to Baron Alvensleben.

17. *Saturday.* Was at St. Mary Axe and at Mandrot's to carry him some pieces of lustre for Captain Traytorrens.

The Baron told me that an express to Government had arrived which left Paris on the 14th at five in the evening, which stated that every thing was perfectly quiet. Mr. Prevost called; he spoke a great deal without mentioning his schemes to get a company. I informed him that Lord Amherst would probably require him to rejoin his battalion immediately. He wished to wait to ascertain if war would be declared or troops sent, so that he might have a passage to cost him nothing. This is the second theme of the late General de Pisinge.

J'ay été le soir à Hamstead pour voir mes nieces qui sont revenues de prendre les bains de mer.

Dimanche 18e.

Le Capt. Vanderput qui m'est venu faire visite, me dit qu'il avoit envoyé de la Tamise 4,787 matelots qui ont été pressés icy. Il me dit qu'il savoit depuis longtemps que l'Angleterre avoit promis au Roi de Pruce, d'envoyer 12 vaisseaux de ligne dans la Méditerranée dans le Courant de juillet si S. M. l'exigeoit.

Lundy 19.

Le Capt. Prevost m'est venu communiquer un placet que L^d Amherst Lui avoit conseillé de presenter au Secetaire de la Guerre, que j'ay trouvé fort bien. Il me dit que M. Provost avoit manqué la Compagnie que le Capt. Dobson a obtenu dans son Regim^t que le Secetaire de la Guerre lui avoit dit que comme l'officier qui avoit quitté avoit obtenu une compagnie d'Invalide le Roi avoit ordonné qu'on plassat un capt. de la demy paye.

Les Protecteurs de Prevost sont Lord Sydney & Mr. Rose, qui est sollicité par Mad^{me} Nesbett qui a beaucoup d'influence sur Lui et une Dame Warren &c.

Prevost dit qu'il ne voudroit pas accepter de Capt. Lieutenance.

Il a été fort lié avec le Prince Edward & c'est Lui qui lui a obtenu la permission d'avoir des chevaux à Geneva & qui ensuite menageoit toutes ses parties de plaisir. Il en a reçu plusieurs lettres fort obligeantes et le Prince lui avoit offert une Compagnie dans les Gardes Hanoveriens &c. Il estudioit pour être avocat et devoit être reçu docteur lorsque les troubles de Geneve comencèrent. Il prit des armes en defence du magistrat. Il fit faire un uniforme de Dragons de Geneve, avec lequel il parut comme officier.

Le G. A. Prevost lui procura un Drapeau dans son Batt. Il vint en 1782 le joindre aux Iles, deux mois avant la paix, le Batt. fut reforme peu de Temps apres en juin 1783 et Prevost alla à Geneve ou Il a jouy de la $\frac{1}{2}$ paye pendant cinq années. Il fut ensuite remplassé comme enseigne peu de temps apres on leva deux nouveaux Batt. et je fit mon possible pr lui obtenir une Lt qui me couta beaucoup de pêne; il fut ensuite pendant quelque temps à Chatam pour y recevoir les Recrues. Il trouva moyen d'aller à Geneve, ou il courtisa le Pr Edward; le fils de M. Rose, & les Parents de quelques Dames qui l'ont recomandé icy, & c'est par leur moyen qu'il espère d'obtenir une compagnie. Je ne crois pas qu'en tout il aye été pendant trois années au Regiment.

Sa commission de Lt est datée du 25 juin 1781.

Il s'est querellé fort mal à propos avec le M^j Whitesake [Whiteside] du 4^e Batt. parcequ'il étoit entre dans le Batt: Celui cy beaufre de M^{rs} Louys doit lui en avoir écrit. Il est en general turbulent veut diriger et se meler de tout.

Il veut profiter des services du G^l Prevost (au prejudice des Enfants) pour se procurer d'avancem^t. Sur les affaires de Gibraltar P. me dit que le Prince se conduit fort bien. Il dine une fois par semaine chez O'hara, & aura (?) chez Lui, du reste Il ne se voyent que le soir, le Prince a toujours la fureur des chevaux fait couper les oreilles des anes & des mulets &c. On n'aime pas O'hara Il est trop severe, Il est actuellement brouillé ou en different avec le Col. Mars, (Marr) qui est chef Ingenieur. Il me paroit que tous les deux ont tort.

Le chev. Boid est allé au Roy pour demander à aller à Gibraltar, Le R. lui a dit qu'il y penseroit.

On parle de L^t G. Lenox pour remplasser le G^l. Heathfield,—celui cy a ordonné que ses Os fussent transporté à Gibraltar.

Mardy 20.

Le Baron a dinné chez moy. J'ai été à la secretaire de Guerres.

Mercredy le 21.

Été chez Lord Amherst ou je lui ay parlé sur le conte de Prevost. Il me fit voir la Lettre qu'il lui avoit écrite pr le prier de lui procurer une compagnie parce qu'il n'étoit plus en Etat d'acheter, Il vouloit aussi être employée en recrue, mais nous nous convimes qu'il convenoit qu'il joignit le Regim^t dinné chez Nepean avec l'Admiral Pigot, le Gen^l Faucet, le Gen^l Clark & le Capt. Croffort [Crawford] resté jus à 11 heures, nous avons parlé peu du Canada.

Went in the evening to see my nieces, who have returned from seabathing.

18. *Sunday.* Captain Vanderput who called, told me that he had sent from the Thames 4,781 sailors who were pressed here. He said he had known for a long time that England had promised the King of Prussia to send 12 ships of the line into the Mediterranean in the course of July if His Majesty required them.

19. *Monday.* Captain Prevost came to communicate to me a petition which Lord Amherst had advised him to present to the Secretary of War, which I thought very good. He told me that Mr. Prevost had failed to obtain the company which Captain Dobson had got in my regiment; that the Secretary of War had told him that as the officer who had left had obtained a company of Pensioners, the King had ordered him to appoint a half pay Captain.

Prevost's protectors are Lord Sydney and Mr. Rose, who is urged by Mrs. Nesbit who has great influence over him and a Lady Warren, &c.

Prevost says he would not accept a captain lieutenancy. He has been very intimate with Prince Edward; it was he who obtained for him permission to have horses at Geneva and managed all his parties of pleasure. He has received several obliging letters and the Prince offered him a company in the Hanoverian Guards, &c. He studied for the Bar and was to be received as a doctor when the troubles in Geneva began; he took up arms in defence of the magistracy and had a uniform made for the Genevese dragoon, in which he appears as an officer.

General A. Prevost procured him an ensigncy in his battalion. He joined it in 1782 in the West Indies, two months before the peace; the battalion was reduced shortly after (in June 1783), and Prevost went to Geneva where he has enjoyed half pay for five years. He was then replaced as ensign shortly after; two new battalions were raised and I did my utmost to obtain a lieutenancy for him, which cost me much trouble. He was for some time at Chatham to receive recruits. He found means to go to Geneva, where he paid his court to Prince Edward, the son of Mr. Rose and some ladies, who have recommended him here, and it is through them he hopes to obtain a company. I do not believe that he has been altogether three years with the regiment. His lieutenant's commission is dated the 25th June, 1781. He quarrelled very unseasonably with Major Whitesake [Whiteside] of the 4th Battalion, because he entered into the battalion. The latter, brother-in-law of Mrs. Lewis, must have written about it. He is generally turbulent, and wishes to direct and interfere in every thing.

He desires to profit by the services of General Prevost (to the prejudice of the children), so that he may secure advancement. As to the affairs of Gibraltar, Prevost told me the Prince behaves very well. He dines once a week with O'Hara and will have (?) with him. Further, he sees him only in the evening. The Prince has a passion for horses, has the ears of the asses and mules cut, &c. O'Hara is not liked; he is too severe. He is at this moment embroiled with Colonel Mars [Marr], who is chief engineer. It seems to me that both are wrong.

Sir Boyd has gone to the King to ask to go to Gibraltar. The King told him he must think of it.

It is said that Lient.-General Lenox is to take the place of General Heathfield; the latter ordered that his remains are to be taken to Gibraltar.

20. *Tuesday.* The Baron dined with me. Went to the Secretary of War.

21. *Wednesday.* Was at Lord Amherst's, to whom I spoke regarding Prevost. He showed me a letter he had written, begging him to procure him a company, as he was no longer in a position to purchase. He also wished to be employed in recruiting, but we agreed that it would be more suitable that he should join his regiment. Dined at Nepean's with Admiral Pigot, General Fawcett, General Clarke and Captain Croffort [Crawford]. We stayed till eleven; spoke little about Canada.

Le jeudy 22.

Été chés Lord Amherst qui me fait envoyer les Lettres qu'il a reçues du Canada sur les affaires des jesuites, je lui ay promis d'en parler au G^l Clarck & d'en écrire à Mr Williams. Budé, le Baron & le G^l Cammond ont dinné ches moy le dinné excellent —été à Hamstead.

Le Vendredy 23.

L^d Amherst ma fait visite à 8 heure du matin pour m'inviter à aller à M^t Real. J'ay été au Levé. Le G^l Clarck ma accompagné ches moy, p^r me faire plusieurs questions sur le Canada. Il me demanda si Davisson pouvoit lui convenir p^r secretaire, je lui ay dit que Oui. Il souhaite de mener deux officiers avec Lui qui Lui sont fort attachés, & il souhaittoit de savoir s'il n'y avoit point d'employe ou de revenant bon, qu'il peut leur accorder &c. Il me demandat si je croyois qu'il peut vivre dessement avec 1500 L. par année, &c. Il me promit de venir dinnor ches moy Vendredy prochain.

Samedy 24.

Dinné ches moy fait visite à M^{rs} Coore:

Dimanche 25.

fait visite au Baron Alvensleben qui masseure fort amicalement & vouloit que je dinnasse avec Lui. Il estoit fort curieux de savoir si le Roy avoit nommé au Gr de Gibraltar. Il me dit lorsque je le quittay si j'avois quelque chose a faire dire au Roi, qu'il le verroit demain & qu'il avoit coutume de Lui demander qu'il avoit vu, & que vraysemblablem^t Il lui parleroit de moy.

Lundy 26.

Le Capt Prevost me communiqua la requete que L^d Amhorst Lui avoit conseillé de presenter au Secretaire de la Guerre que j'approuve fort.

Mardy 27.

Les Barons ont diné ches moy.

Mercredy 28.

Je fus au Levé ou il y avoit peu de monde.

Jeudy 29.

Été au Cercle qui n'étoit pas nombreux. Je parlay à Sir G. Yong au sujet de Lt Prevost il me dit qu'il avoit répondu à Mr Rose.

Le Col Kemble et le Baron ont dinné ches moy.

Vendredy le 30.

Lord Amherst, le G^l Clarck, le Baron, Montbrifa, le Col. Amherst ont dinné ches moy. On nous a anoncé la mort du General Landon.

Samedy le 31

Mr Inhubar m'est venu faire visite et ma dit qu'il estoit sur que le Suedois etoient hors de combat —Que L'Imperatrice avoit consenti que le Roi de Hongrie fit une paix Séparée avec les Turcks, et qu'il y avoit toute apparence qu'elle se conclueroit, que le Roi de Prusse qui avoit demandé Datzick & Thorn, s'étoit relaché de ses protentions, & que le Roi d'Hongrie rendroit aux Turcks toutes les conquettes qu'il avoient faites, de même que Belgrade. La nouvelle de la perte de la Flotte Suedoise a été annoncée aujourd'huy dans la Gazette. Il y avoit bien de l'Imprudence aux Suedois de rester aussi longtemps dans la position ou ils avoient placée Leur flotte. Cet evenement qui flatera la vauité de l'imperatrice de Russie pouroit l'engager à accorder à la Paix. Le Mj. Genn a dinné ches moy & ma fait part au sujet qui l'a appellé à Londres.

On attribue au conseil d'un cap^e de vaisseau Anglois, l'endroit ou le Roy de Suede a mis la Flotte.

Le 4^e Aoust.

On a reçu la nouvelle de l'avantage que le Roy de Suede a remporté sur les Russes avec la Flotte de Galere.

Le 8^e Aoust.

Le G^l Clark est party pour Québec.

Le 9^e do

Dinné ches le Baron Alvensleben.

Le 12.

Budé Vanderput le Baron Regensfeld & Gunn ont dinné ches moy.

22. *Thursday.* Was at Lord Amherst's, who has the letters sent me which he received from Canada on the affairs of the Jesuits. I promised to speak about them to General Clarke and to write to Mr. Williams. Budé, the Baron and General Cammond dined with me. The dinner excellent. Was at Hampstead.

23. *Friday.* Lord Amherst paid me a visit at eight in the morning to invite me to go to Montreal. Was at the levée. General Clarke accompanied me home, to put several questions to me about Canada. He asked me if Davison would suit as his secretary. I said yes. He wished to take two officers who are much attached to him and he wished to know if there were no office or good employment he could give them, &c. He asked me if I believed he could live respectably on £1,500 a year &c. He promised to come and dine with me on Friday next.

24. *Saturday.* Dined at home. Visited Mrs. Coore.

25. *Sunday.* Paid a visit to the Baron Alvensleben who received me in a very friendly manner and wished me to dine with him. He was very curious to know if the King had appointed any one to the governorship of Gibraltar, and told me, when I left him that if I had anything to be said to the King, he would see him to-morrow; that he was accustomed to ask him what he had seen and that probably he would speak of me.

26. *Monday.* Captain Prevost communicated to me the petition which Lord Amherst had advised him to present to the Secretary of War, of which I strongly approved.

27. *Tuesday.* The Barons dined with me.

28. *Wednesday.* Was at the levée; very few there.

29. *Thursday.* Was at the Court, which was not numerously attended. I spoke to Sir George Yonge respecting Lieutenant Prevost; he said that he answered Mr. Rose.

Colonel Kemble and the Baron dined with me.

30. *Friday.* Lord Amherst, General Clarke, the Baron, Montbrifa (?) and Colonel Amherst dined with me. General Landon's death was announced.

31. *Saturday* Mr. Inhubar came to pay me a visit and said that he was sure the Swedes were defeated; that the Empress had consented to the King of Hungary making a separate peace with the Turks, and that there was every appearance it would be concluded; that the King of Prussia, who had demanded Dantzic and Thorn, had given up his claims and that the King of Hungary would restore to the Turks all the conquests he had made, the same as Belgrade. The news of the loss of the Swedish fleet was announced to-day in the *Gazette*. It was very imprudent of the Swedes to remain so long in the position in which they had placed their fleet. This event, which will flatter the vanity of the Empress of Russia, may induce her to agree to a peace. The Major-General dined with me and told me what had called him to London.

To the captain of a British vessel is attributed the advice as to the place where the King of Sweden put his fleet.

4th August. News has been received of the advantage the King of Sweden has gained over the Russians with a fleet of galleys.

8th August. General Clarke left for Quebec.

9 August. Dined at Baron Alvensleben's.

12th August. Budé, Vandeput, the Baron Regenfeld and Gunn dined with me.

www.libtool.com.cn

BOUQUET COLLECTION.

www.libtool.com.cn

LETTER BOOK OF COLONEL H. BOUQUET.

A. 1.

B. M. 21,631.

1756.
May 12, Kensington. Rank of Provincial General and Field Officers in North America, by Royal Warrant of George II, signed H. Fox. Page 11
- September 13, Albany. Regulation of the pay of the labourers and artificers, taken from the orderly book. 12
- November 21, Albany. Earl of Loudoun to Sir Charles Hardy, New York. Difficulty of settling the command of the troops. First settlers, adventurers; difference in charters. The jealousy and attacks of the French. The pretensions of the Governors of Provinces to command the troops; the commissions issued by the King and rules made to prevent the dangers thence arising. The disputes as to giving the troops quarters in the different Provinces. 3
1757.
April 9, Philadelphia. Lt.-Col. H. Bouquet to Col. Conrad Weiser. Col. Stanwix has given Biddle £100 for Capt. Busse to meet expenses of raising the 1st Batt. Royal American Regiment. Trusts he (Weiser) will use his interest to raise 200 men for the defence of Carolina. 1
- April 9, Philadelphia. Same to Capt. Charles Busse. Recruiting orders and beating instructions sent. £100 sent to Biddle for expenses; when that is done to apply to Stanwix for more. 2
- April 23, New York. Warrant empowering Col. Bouquet to appoint General Courts Martial. 13
- No date. Form of warrant by Col. Bouquet to appoint a President of a Court Martial. 15
- April 23, New York. John Appy, Judge Advocate, form of deputation to a Deputy Judge Advocate, of Courts Martial. 16
- Instruction to deputy judge advocate. 17
- May 26, Williamsburgh, Virginia. Bouquet to the Earl of Loudoun. Five companies of the Royal Americans sailed from Philadelphia have arrived at Hampton Roads, James River. 200 Virginians arrived here; the Assembly has agreed to complete the contingent with militia. The collecting of men and money goes on slowly in spite of Governor Dinwiddie's efforts. No news of the 200 men from North Carolina. 20
- June 23, Charlestown, S. Carolina. Same to the same. Provincial troops of Virginia arrived. Small pox broken out; Precautions. Bad water and heat have caused sickness. Nothing done to raise troops, but the Assembly return a favourable general answer to the Governor's demand. Governor Littleton's efforts and influence give hopes of success. The scarcity of men raised for the defence of the Southern Provinces. The poor condition of the arms and men. The bad state of the defences for the town; proposals for strengthening them. French men of war sent to the Mississippi. One battalion of newly raised Highlanders to sail from Ireland to Charleston under Montgomery. Money matters. 21
- June 23, Charlestown. Same to Governor Dinwiddie. Arrival on the 15th. Americans encamped. Dinwiddie's troops are in town. Governor Littleton, owing to the delay in Lord Loudoun's letters, could not take measures for raising the provincials; hopes the Assembly will grant funds for the purpose. French fleet at St. François; intended for Jamaica or this place (Charlestown). The rest of Dinwiddie's troops to be sent to Charlestown. 25
- June 23, Charlestown. Same to General Webb (in French). His embarkation at Philadelphia and landing at Hampton Roads with the troops. No men yet from North or South Carolina. Littleton has convoked the Assembly, and has obtained the passage of a resolution to raise 500 beside the 200 men.

1757.

- The force of 2,000 expected by Loudoun only amounts to 600. The independent companies will act as a garrison. The number of ineffective men in the service. The state of the fortifications. Movements of the French fleet. Expected reinforcement of Highlanders. Page 23
- June 23, Charlestown. Bouquet to Colonel Hunter. His arrival; the exorbitant charge for exchange. Does not think the hot climate will agree with him. The French fleet. 31
- June 23, Charlestown. Same to Colonel Stanwix. Account of arrival, state of preparations, &c., similar to that given in previous letters, but somewhat more detailed. 33
- June 30, Charlestown. Same to Governor Dobbs. His arrival with five companies Royal Americans and 200 provincials of Virginia. As soon as the men from Dobbs' Province (N. Carolina) are ready they are to be sent on. The Assembly here framing a bill for raising troops, for fortifications, &c. Hopes that the preparations will prevent an attack on the Colonies. Newly raised Highlanders expected. 26
- June —, Charlestown. Same to Governor Ellis. His arrival with troops, namely, Royal Americans, provincials of Virginia, Pennsylvania and North Carolina, for the defence of the three southern provinces. Desires to know the state of the defences of Georgia, as it is the most exposed. 27
- July 13, Charlestown. Same to Lord Barrington. Information similar to that in preceding letters. 40
- July 14, Charlestown. Same to Governor Ellis. The decayed state of the forts in Georgia. He recommends large log forts to contain all the people about them. The cannons, &c, scattered in the forts should be removed; can say nothing as to the rangers from Georgia. Will send 100 men, if they can be subsisted at the expense of Georgia. Wishes to see him (Ellis) on his (Bouquet's) way to Port Royal. 41
- July —, Charlestown. Recruiting instructions by Bouquet to Lieutenant Shrubsole of His Majesty's Independent Company. 43
- July 15, Charlestown. Bouquet to Lieutenant Shaw of H. M. Independent Company. To relieve Ensign Bogges at Fort George. All military orders to be received from his superior officers under Bouquet. Orders on Indian affairs to be received from the Governor of the Province. 45
- July 15, Charlestown. Same to Ensign John Bogges, Fort George. To deliver over the fort to Lieutenant Shaw. To leave the men there and himself proceed to Fort Loudoun. 47
- July 18, Charlestown. Same to General Napier. His arrival and list of troops for the defence of Georgia and N. and S. Carolina. Description of the forts, namely, Fort Johnston, Fort Frederick, Fort Moore, Fort Prince George, Fort Loudoun. Their bad state and Georgia in a worse situation. Want of guns, &c. French in force at Cape François and in the Gulf of Mexico. Proposed fortifications, but want of engineers; the people throw away money on slight works, which engineers would save. Sickly state of the Independent companies. 36
- July 20, Charlestown. Same to Governor Littleton (in French). Plan for protecting the town against attack from the sea. 48
- July 21, Charlestown. Same to the same (in French). Memo respecting the proposed barracks at Charlestown. 53
- July 28, Charlestown. Commissioners to the same. Remarks on Bouquet's plan for defending the town. Insurmountable objections to his proposals for the defence of the harbour by booms, &c. 51
- July 28, Charlestown. Bouquet to Capt. Paul Deméré, Fort Loudoun (in French). Instructions sent as to the report by the *Little Carpenter*. To take every means to find out about the Indians and the nature of the country between him and the French settlements; the course of the rivers, &c. The French make use of the Indians as scouts; why should not he? 56

1757.
August 6, Charlestown. Bouquet to Governor Dobbs, North Carolina. The 200 men from N. Carolina to be sent forward. Disappointed in not receiving reinforcements; the forts cannot be garrisoned properly and 100 men had to be sent to Georgia to guard against the privateers. Orders to complete the regular troops; hopes the recruiting officers will be assisted. Page 57
- August 6, Charlestown. Same to Lieuts. Bantinck and Phillips. Additional instructions for recruiting. 59
- August 6, Charlestown. Same to Lieuts. Hay and Jenkins. Additional instructions for recruiting. 61
- August 7, Charlestown. Same to Governor Dobbs. Regrets to learn that the 200 men raised are kept back for want of money, which could be obtained if the Assembly votes the security. The necessity for troops at the present juncture, as Pennsylvania cannot send whilst the enemy is at her own doors. Too late to send troops when attacked, as they might be taken by sea or intercepted by land, and the French are sounding the coast of Georgia with some design. He no longer expects the Highlanders. Supply recommended by His Majesty for the different Provinces. How money may be raised by sending on provisions and the troops maintained. 64
- August 10, Charlestown. Same to Lieut. Shaw, Fort Prince George. The arrangements for supplying the fort with provisions. 67
- August 13, Frederica. Lieut. Charles Taylor to Governor Ellis. Account of the situation and condition of the fortifications of Frederica, St. Simons, and Fort William, with details of armament, ordnance stores, &c. 77
- August 14, Frederica. Same to the same. Four Spaniards taken by the Creek Indians. The *Long Warrior* reported to have gone on an expedition against the Spaniards. 80
- August 25, Charlestown. Bouquet to Stanwix, with returns. The rains have driven the force out of camp into the town, where the quarters are bad till barracks are ready. Troops healthy and little desertion. The lawyers, justices of the peace and in general the whole people eternally against the troops. The extortions make it nearly impossible to carry on the service. He has the best major in the world. Disappointment in the number of provincials. Has visited Port Royal and will make a similar visit to the northward. 68
- August 25, Charlestown. Same to General Webb (in French), with returns. The men from North Carolina cannot be sent for want of money. The enemy tranquil. *Little Carpenter*, a Cherokee, has discovered a new fort building by the French on the Ohio. State of the frontier posts, Fort Loudoun, Fort Prince George, &c. They are all open and defenceless. Money has been voted to fortify the town and the work is going on. Defences of Port Royal, Savannah, &c. Scarcity of men. 70
- August 25, Charlestown. Same to Loudoun. American troops put under cover on account of the rain. Assembly has voted money for barracks, but it is doubtful if the furniture will be supplied. The people are saving though rich. They are pleased to have soldiers to defend them, but make no difference between them and negroes. The scarcity of men. None of the Southern Provinces have raised their troops; he has, therefore, been unable to relieve the independents from frontier service. The injustice done to these men; the disbanding of the provincials has necessitated the sending the rest of the independents to Fort Prince George. Favourable state of Indian affairs. The neglected state of military preparations changed, and the people well disposed for defence, if it does not interfere with their private interest. Details of military preparations. 82
- August 29, Charlestown. Same to Governor Ellis. Sending a company of the provincials of Virginia; how they are to be employed and victualled, &c. The battalion of Highlanders expected every day; will be able to assist

1757.	more effectually by this augmentation. Peter Slowman, a recruit, arrested for murder in Georgia. Asks to exchange 18 pounders left by Gen. Oglethorpe in Georgia for 9s and 12s.	Page 73
August 29, Charlestown.	Bouquet to Ellis. Works he proposes to do on the forts. Urges recruiting.	75
August 29, Charlestown.	Same to General Webb. Sailing reported, by a Bristol ship, of the new battalion of Highlanders. Difficulty of hearing from Lord Loudoun. If matters stand quietly the provincials may be sent home after the campaign.	81
August 29, Fort Prince George.	Ensign John Boggs to Governor Littleton. Remonstrance against being ordered from Fort Prince George to Fort Loudoun, as he is afraid of being scalped on the way.	90
No date.	Some directions how to adjust the quadrant.	92
	Official addresses to the different governors.	95

LETTER BOOK OF COLONEL BOUQUET.

1757-1758.

A. 2.

B. M. 21,632

1757. March 15, Philadelphia.	Minutes taken at a meeting of the Governors of South Carolina, Virginia, Maryland and Pennsylvania with the Earl of Loudoun. The minutes are signed by Arthur Dobbs, William Denny, Robert Dinwiddie and Horatio Sharpe. It was proposed by Lord Loudoun that the greatest part of the troops should be employed to the northward; that he would leave for the defence of the southern provinces a battalion of 1,000 men and the three independent companies of 100 men each in South Carolina; about 2,000 effective men (the number is thus stated although only 1,300 are given) For the security of the whole, the Provinces were to raise enough to make up 5,000 men, in the following proportion :
	Pennsylvania 1,400
	Maryland..... 500
	Virginia..... 1,000
	North Carolina..... 400
	South Carolina..... 500
	Which joined to the King's Troops.... 1,200

Make in the whole..... 5,000

It was agreed by the meeting that there being danger of an attack on South Carolina, there should be raised for the defence of that Province and to secure Georgia 2,000 men, in the following proportion :—

Five companies of regular troops.....	500
Three independent companies.....	200
Provincial Troops South Carolina	500
“ “ North Carolina.....	200
“ “ Virginia.....	400
“ “ Pennsylvania.....	200

Making in the whole..... 2,000

These troops to be under the command of Lient. Colonel Bouquet and transported to Charles Town, South Carolina, as soon as possible. Lord Loudoun agreed to supply provisions, but their transport was to be at the expense of the respective Provinces. Conditions were also inserted regarding the quartering of troops necessary for defence. Page 106.

1757.
April 24,
New York.

Instructions by Lord Loudoun to Lieut.-Colonel Bouquet, of the 62nd or Royal American Regiment, for his embarkation at Philadelphia for Charles Town, with directions as to his command in defence of the southern provinces. The number of troops is given, and their composition. When he is to consult with the governors; allowance of provisions; courts-martial on regular and provincial troops, &c., &c. Page 110

April 24,
New York.

Loudoun to Lyttleton. Sends copy of minute; is sorry he was not at the meeting. The objection of his Province to sending any considerable number of men from fear of a rising of the blacks is removed, as the additional force sent is enough to overawe them. The character of Bouquet sent to command the troops. His plan to post the 500 men from South Carolina on the frontiers may be changed according to circumstances. Is desirous to save expense to the mother country of forwarding provisions for regulars to so great a distance as the frontiers, which must be more familiar to the provincial troops; and, besides, Charlestown being the place of the greatest importance, the regulars should be kept near it. Other arrangements for provisioning the forces. How the posts in the Cherokee country should be garrisoned. As the force is sent entirely for the protection of South Carolina, he expects they will reinforce the fort at Chota and supply the garrison with provisions. Indian affairs. The necessity for bringing the different Assemblies to bear a share in the defence of the whole, on which the mother country is expending such large sums at present. 115

May 5,
New York.

Circular of Lord Loudoun to the Governors of North and South Carolina and Georgia. Calls attention to the desire of His Majesty that the Councils and Assemblies be applied to in the strongest terms to raise as large a number as possible of provincial troops over and above those needed for immediate defence. Major General Webb is to command at Albany in his (Loudoun's) absence. Colonel Stanwix is to take post in the back part of Pennsylvania with the first battalion of Royal Americans and to have command of the rest of the Pennsylvanian troops, of the troops raised in Maryland and in Virginia, Lieut. Colonel Bouquet is dispatched with other troops to South Carolina, for the security of that and the most southerly Provinces. Reminds them of the agreement as to provisions for the troops left in the Provinces. Hopes they will lose no time in getting the forces ready; that the militia be properly armed, &c., and ready to move on the requisition of the commander. Hopes to receive the same benefit from the militia as was received lately from the militia of the upper part of this country on the attempt of the enemy on Fort William Henry. 119

September 10,
Charlestown.

Bouquet to Governor Dobbs. The arrival of the Highland battalion commanded by Montgomery will save the trouble of sending the 200 men. Does not know what Loudoun will do with all the men here; supposes he will send some to the northward, in which case Dobbs' troops would still be wanted. Recommends officers sent to his Province, owing to the scarcity of men here, to be provided with quarters. Asks that a remedy be found for the exorbitant price charged the officers for provisions. 2

September 10,
Charlestown.

Same to Lieut. Shaw, commanding at Fort George. Will send an officer to relieve him, if he does not soon recover. He is to furnish all the necessary scouts to Fort Loudoun, but Ensign Boggs has not gone as ordered, for want of an escort; does not understand why, as the traders go up and down unmolested. If one is needed, let Boggs have it. Garrison is supplied with provisions; the carriage to be paid by the Province, and the Governor had authorised a gill of rum to each man working in the fort. The men must not imagine they can work or not;

1757.

- all the King's troops must do so when ordered, but the Governor has now consented to allow the men repairing the fort two gills of rum daily at the expere of the Province. Hopes to hear no more complaints; every man refusing to work is to be confined and punished. Details of the work to be done. Arrival of Montgomery's Highlanders. Page 4
- September 10, Bouquet to Captain Paul Demeré. Rolls of men, &c., received. Hopes
Charlestown. that he may succeed in keeping the Indians and engaging them to go to war. If the Carpenter should go in good faith, he could render a good account of the enemy's settlements and the nature and distance of the route by which to reach them. Satisfaction must be received from the people of Silkio (Chilcothe?). 7
- September 10, Same to General Webb. Arrival of Montgomery with 106 super-
Charlestown. numerary men; very healthy on arrival, but have become extremely sickly. Demands for transports, &c. 8
- September 10, Same to Lord Loudoun. Substantially the same as the letter to Webb,
Charlestown. with the addition that the country is so unhealthy, that all the officers sent out to recruit, as well as the men, have fallen sick. 9
- September 15, Same to Dobbs. Thanks for the care taken of recruiting officers. Owing
Charlestown. to the great expense for provisions will not send Hay and his party further than Newbern. Respecting Montgomery's Highlanders. The news of the grant of £50,000 to Virginia and the two Carolinas is very agreeable to him; this gratification was necessary to enable these Provinces to support the extraordinary expenses of the service. Is desirous to have a statement of the military condition of the Southern Provinces, and hopes His Excellency will let him have it. 11
- September 17, Same to Governor Ellis. Thanks him for the care he has taken of the
Charlestown. troops. Will take care to put the Province to no expense whatever. No rum is to be provided for the troops in his (Ellis') garrison. His trouble about quarters for the Highland battalion; would rather make two campaigns than settle the quarters in any of the American towns. The great loss of Fort William Henry and the disappointment of the great expedition, the superior force of the enemy having occasioned the return of Lord Loudoun to New York. Prosecution of Slogman. The exchange of artillery is agreeable to Governor Littleton and to him. To send the pieces at the expense of South Carolina after being proved on the spot. His disappointment regarding the provincial troops of South Carolina prevented him from disposing of the independent companies employed in the forts at too great a distance to be relieved by the regulars, their establishment is more suitable to Georgia and he is disposed to employ them in that way. Believes that at present more troops would be burdensome to the town, but so soon as he (Ellis) asks for a reinforcement it shall be sent. Respecting recruiting and the loss of so many men by death, owing to the sickliness of the season, and by desertion. Should be glad to see the progress made in the fortifications. 15
- September 17, Same to Lieut. Shaw. On account of his ill health he will be
Charlestown. relieved by Ensign McIntosh. As the fort is of great importance, asks him to remain with Ensign McIntosh to help him. If his health does not admit of this, he is to give McIntosh all instructions. Nothing has been paid the men for working, except two gills of rum daily. Has done his best to get pay for the men with him (Shaw), but they must be content to be used like the others; as soon as possible they shall be relieved. It is not easy to get what is necessary to carry on the work, but the best must be done to forward it. How far the officers may go in conciliating the Indians. 18
- September 29. Same to Dobbs. Hopes that his letter arrived in time to prevent
the embarkation of his (Dobbs') troops. The term of six months is too

1757.

short to enlist men. Pennsylvania, Virginia and South Carolina enlist for the whole war. He would rather have no troops, than after they began to be of use to have to disband them. Asks him to make suitable arrangements about the troops, as the want of regulations makes him sensible of their necessity. Asks leave to enlist the disbanded six months' men for the Royal Americans. It seems impossible to get recruits in these parts. No news since the report of the loss of Fort William Henry. Troops very sickly; the Highland battalion has over 400 sick. Page 20

October 15,
Charlestown.

Bouquet to General Napier. Had sent in July the military returns of the Province for June and July; now sends those for August and September. Work on the fortifications goes on as quickly as circumstances will admit. The Highlanders landed on 1st September; they are very sickly; hopes that as the air is beginning to cool they will soon recover. Death of Dusseaux and resignation of Prevost. Applies for one of the two vacancies in the American battalions. Limited by Act of Parliament to this regiment, there are no other hopes of preferment left, and asks that he will not forget the officers in America. 23

October 15,
Charlestown.

Same to Lord Barrington. Enclosing returns of the troops. Arrival and sickly state of the Highlanders under Montgomery. 24

October 16,
Charlestown.

Same to Colonel Hunter. Was glad to hear of his recovery. The difficulty of negotiating bills; the inconvenience of this for paying the troops. Had succeeded in getting money by mere chance, but that precarious way will not suit, as besides the pay of the Americans there is the subsistence of the Highlanders to provide for. Can pay until Christmas, but after that does not know where he can place a single bill. There will be such a demand for bills for indigo that military bills cannot be negotiated before spring. Suggestions for overcoming the difficulty. In consequence of the capture of ships by the French, the merchants require six bills to each set. He has only four; asks for two additional with official authority. Respecting the rate of money. Loudoun has ordered back the Virginian troops, but they cannot be spared till January. If they are to go then transports must be sent at the expense of the Province of Virginia. The irregularities of the posts; hopes that the Governor may improve the service. The bad climate; hopes he may not pass another summer here; does not like the country. Friendly messages. 25

October 16,
Charlestown.

Same to Loudoun. Though the Highlanders left with 130 supernumeraries, they have lost so many men that they want all to make up 1,000 privates. Except quarters, they are well provided for. Care shall be taken of the clothing, firelocks, &c. Bill for £3,000 received and receipt sent. Is sorry that Hunter had advised sending bills instead of money; the inconvenience thus caused; the merchants have agreed on a rate to be charged so as to force him to comply with their terms; can see no way to do but to give two per cent. for negotiating the bills; Mr. B. Smith, the Speaker, is the only man who would do it even at that rate. If the contractors would write themselves, they might get it done at one per cent., but he cannot. Respecting the indigo market and the Virginian troops, who cannot be dispensed with till January, the Highlanders being new to the country and so many sick. The three independent companies are on the frontiers; the provincial regiment has not yet 70 men. The net force for the present consists of the Americans only, reduced by sickness to 300 men fit for duty. Has sent 100 men to Georgia, 100 more are wanted at Port Royal to work on the new fort and with the militia jointly protect that harbour against privateers. It is not "well possible" to carry on the service in this wide

1757.

country without provincials; it would be the ruin of the troops if they were scattered over 400 and 500 miles on the frontiers besides the immense expense for their provisions. The provincial regiment can never be raised unless the Assembly agree to his proposition to oblige the militia to serve by lot two or three years in the provincials; does not expect them to do it. The arrival of the "Winchelsea" disabled. Transports wanted if the Virginians are to go back. These could be provided from Hampton and if Hunter sent early notice, the men in Georgia could be sent for. This would prevent difficulty in the pay of the transports; no money has even been seen from that Province for the pay of their troops. The difficulties of communication. Sends accounts and vouchers. Has been saving to Government, having charged the Province what he could, convinced that the people were able to pay, and seeing how unwilling they were to spend money in providing quarters and necessaries for the troops. Georgia is different. Though extremely poor they have done a good deal, influenced by their Governor, who is indefatigable for their safety and welfare. As it is a frontier to the two powers, and the people unable to repair their decayed forts, recommends that that should be done and the garrisons supplied with provisions at the expense of Government. The bad state of Forts Augusta and Frederica. Fort William is only an advanced post kept to test the right of possession against the Spaniards, the limits not being well fixed. The difficulty of recruiting. The unhealthiness of the country. Names of officers on the invalid list. Letter from Governor Dobbs respecting the difficulty of raising men. Has hinted to Governor Dobbs the necessity of having regulations concerning quarters, &c. When the sickly season is over shall try, but does not expect, to complete the five companies. The air has been so infected that even the horses died. Loss of horses by officers; this, with the abominable imposition of the inhabitants, renders it impossible for any officer to be employed on his pay in recruiting. Has shown Governor Lyttleton the necessity of putting a stop to such robbery by a law to fix the rate to be charged the troops for diet, when provisions cannot be sent, with regulations as to deserters, &c. Hopes the new Assembly will pass such laws. The eternal struggle in America is about quartering the men in towns; the only effect of solicitations is ill humour; cannot even get straw for the Americans, what could be got was given to the Highlanders. The town is large, the public houses few and bad; had the men been divided among the inhabitants nobody would have suffered much, and half of the men lost by death or desertion would have been saved. How the troops are quartered. Sends plan of the town and fortifications; how the works were carried on. Notwithstanding the risk of the town lying open, it has never been possible to get a sufficient number of negroes on the work. Private interest is the first point here. Troops to be employed in building. His design is to make the town defensible.

Page -9

October 18, Charlestown. Bouquet to Governor Dinwiddie. Cannot send back to Virginia the two companies as ordered, from want of transports, &c. If they are to go back in January, begs him to arrange for transports, &c. One of the companies has been sent to Savannah, Georgia; as it will require time to recall it, asks him to send notice of the time the transports are to be sent so that the company may be ready. Calls attention to the want of pay of the two companies.

44

October 18, Charlestown. Same to Colonel Stanwix. Returns sent. Respecting recruiting. No supernumeraries from the Highlanders for the Americans, owing to the many deaths. Clothing received. Ourry has left some in Philadelphia; asks him to inquire about it. Is heartily tired of disputes about quarters.

1757.

Transports still here waiting for convoy; fortifications, &c., as in previous letters. Page 41

There was added to this letter, dated 27th and 28th October, a request for him to take charge of certain men left, and giving the names of officers on the sick list at Philadelphia and Hampton. Hopes he may be in comfortable winter quarters. Results of recruiting. The Assembly has voted £1,000 sterling for barracks for 1,000 men, but declined to do anything about bedding, &c., without which the barracks are useless. There is no danger of falling in love with South Carolina. If there had been any inclination that way their genteel proceedings would have cured it. 46

November 9,
Charlestown.

Bouquet to Do'bs. Has received list of arms, &c., in his Province; shall write to Lord Loudoun on the necessity of providing arms for the militia. Respecting the sending back of provincial troops to Virginia. Of the steers sent 43 had died and Mr. Stead had to pay for burying them. Late news is so bad that it would be better to have none at all. 49

November 12,
Charlestown.

Same to Governor Ellis. The provincial troops at Savannah are to be removed to Virginia. The state of the troops generally. 50

November 12,
Charlestown.

Same to Captain Demeré (in French). Hopes he may enjoy his pleasant place of retreat. In respect to replacing the men of the independent companies discharged or recommended to Chelsea, Lord Loudoun writes that each captain must keep his company complete and that returns will show that there are funds enough for this purpose. The companies must be filled with serviceable men and the discharge of all who are unserviceable will increase the recruiting fund. All invalids may, therefore, be sent from Savannah to Charles Town with the company of Virginians. Has no doubt he (Demeré) will do all he can to complete his men in which he (Bouquet) will assist him to be on the same footing as the other King's troops. Asks his opinion of Fort Frederica, and if it is worth being repaired. So soon as he can find time he proposes to visit Georgia. 52

December 2,
Charlestown.

Lieutenant Doyle to Bouquet. Cannot send any wood to the sick people, no provision being made by the Assembly for wood for hospitals, and only two cords a week for every hundred men. 66

December 8,
Charlestown.

Bouquet to Lieut. Outerbridge, Fort Augusta. Thanks for reporting the state of the fort. Shall desire Governor Ellis to send him a barrel or two of powder. Intends to visit the forts. Asks him to assist in recruiting. 54

December 9,
Charlestown.

Same to Governor Ellis. Has heard that he had engaged a transport for the Virginian company. Has yet had no answer as to supplying the troops with utensils, &c., at the expense of Government. To send ammunition to Fort Augusta. Congratulates him on the treaty with the Creeks. 55

A letter dated 9th December, to Governor Dinwiddie, has a note that it was not sent, but instead of it one dated 16th December. 58

December 10,
Charlestown.

Same to Lord Loudoun. Acknowledges letters; regrets the disagreeable contents of his letters. Major Tulleken will give His Lordship details of the present situation. The arrangements for transports. Refusal of some of the masters to sail without convoy; refers to Captain Hale for details. The Virginian company has arrived; will sail in January. Disposal of troops; would have sent a company of Americans to Savannah, had there been any appearance of danger. The Governor says no troops can be furnished there with bedding or utensils. By the treaties with the Creeks the Province is safe on the land side, and by the fortifications of the town it is safe from privateers. The orders to com

1757.

plete their number have been given to the captains of the independent companies. They have applied for leave to go north or to England for men. State of Lieutenant Outerbridge's health. Has referred the question of allowance of provisions to the consideration of the governor as to the proper time to submit it to the Assembly. Repairs to Fort St. George have changed for the better the conduct of the Indians. The Choctaws are buying goods from the traders and beginning to give up the French interest. The new fortifications are going on with dispatch. He dare not speak of quarters; sends the resolutions of the Assembly on the question. The officers cannot agree to the arrangement made by the Assembly. Owing to the delays by the Assembly troops cannot be in quarters before February. Page 59

December 10,
Charlestown.

Bouquet to Governor Ellis. Captain Mercer arrived with his company; his satisfactory report of the treatment received from him (Ellis). Expects answer as to utensils from Loudoun; has sent no troops as it would be disagreeable to him (Ellis) to see them without bedding, &c., in winter, with no means of supplying them. Had hoped his Indian affairs were settled, but sees that he is still pestered with them. Hopes he has more satisfaction with his transactions than he (Bouquet) has; is heartily tired of America; if he could once get rid of it, no consideration would make him return. 56

December 16,
Charlestown.

Same to Governor Dinwiddie, the arrangements for returning the provincial troops to Virginia. 64

December 23,
Charlestown.

Same to Colonel Hunter. Having no money to pay the troops, had taken \$2,000 from Mr. Bacot; asks him to pay the amount. 65

December 25,
Charlestown.

Same to Lord Loudoun. Asks leave for Victor Duplessis to serve as a volunteer in His Lordship's regiment. 69

December 25,
Charlestown.

Same to General Webb. Sends returns of troops in the Southern Province. 68

December 25,
Charlestown.

Same to Colonel John Forbes. Has received the general orders sent him. 68

December 25,
Charlestown.

Same to Captain Demeié, (in French). The barracks of the old fort are to be demolished, new ones to be built in the fort now being erected. How he is to dispose of his troops. In a month or two will send troops to Georgia for its defence and will visit it to see what is necessary for its security. Has represented to Lord Loudoun the bad condition of his arms; Governor Ellis might lend him the requisite number. 67

Same to Shall supply the 100 men with provisions on the King's account since the Province cannot furnish them, provided that the carriage of troops and provisions be borne by the Province. What the Act of Parliament specifies is to be furnished by the Province, besides quarters. The commissary has been ordered to supply the troops in Savannah with fresh meat daily. The 100 men will embark when advice is received that quarters are ready. 13

1758.

January 19,
Charlestown.

Remonstrance of Bouquet to the Governor, Council and Assembly of South Carolina against the imposition of duty on the import of provisions for the troops, sent here only for the defence of the Province. 70

On the 25th another application was sent substituting the word *petition* for *remonstrance* but in the same terms otherwise. 72

January 24,
Charlestown.

Bouquet to Governor Ellis. Is glad to find the Assembly so well disposed. This disposition is so unusual on this continent, that it appears extraordinary. One company of the Highlanders to be sent to Savannah; expects orders from Lord Loudoun relative to troops for his Province. His Lordship has allowed provisions for the independent companies, on condition that the Province, should bear the expense of carriage to the back settlements, which has been agreed to. Will supply Fort Augusta with powder as he (Ellis) cannot do so. 72

1758.

February 1,
Charlestown.

Bouquet to Colonel John Forbes. Has received his letter from Albany of the 16th November, respecting recruiting. Concerning accounts. Has ordered Captain Goldsmith with Lieutenants Gray and Shaw of the three independent companies on recruiting, but expects no success. Barracks are building and furniture voted, but the troops are still in the same situation in regard to quarters as when they landed. Report spread of the removal of the Highlanders to the northward has stopped the building of barracks for the officers. If that regiment is removed the troops left will not be sufficient for the protection of the Province, with so many distant posts. The independents are not above 200; the Americans are not complete, but there are three capital posts on the sea shore to be garrisoned, namely, Charles Town, Port Royal, and George Town. The Carolina Regiment will never be raised; there are now only 200 men mostly of the worst kind; almost naked, so that they are unfit for any duty and can scarcely be exercised unless the sun shines brightly. The last letter from Lord Loudoun took three months and ten days to come &c.

Page 74

February 2,
Charlestown.

Same to Lord Loudoun. With accounts; the profit on bills drawn. The "Nightingale" men of war, reported off the coast. 77

February 8,
Charlestown.

Same to Demeré. Names of men to be sent down as witnesses. Regulations as to pay and provisions for the independent companies, with scale for officers, non-commissioned officers and men. To encourage the planting of corn, which will be the property of the soldiers. Concerning recruiting. To transmit all information to him respecting the service or any military expedition among the Indians. 78

February 8,
Charlestown.

Same to Mr. Stead. Provisions to be sent to Forts Prince George and Loudoun. (There is no date, but see p. 79). 89

February 16,
Charlestown.

Same to Governor Dobbs. Sends Stead's accounts for the steers. Some of the provincial troops being reduced, asks leave for captain Paine to recruit for the Americans. Report received of a suspension of arms between the King of Prussia and the French to the month of April. 81

February 16,
Charlestown.

Same to Colonel Hunter. Respecting accounts and the form in which they should be kept, &c., subsistence for his officers not yet received from Colonel Young. Is sorry Governor Dinwiddie has not yet ordered transports for the provincial troops. News from Europe, &c. "The Assembly has at last provided quarters for the force, which will be ready next month, but it has been done with so much reluctance and with such symptoms of disaffection for the troops, that we think ourselves very little obliged to them. There remain still some points to settle, in which I hope we shall succeed and have nothing more to do with them". 83

February 21,
Charlestown.

Same to Colonel (Forbes?). Had only received his letter of the 6th of December on the first of the month, the "Peggy" having been lost on Cape Roman. The delay has put it out of his power to execute orders respecting clothing, of which details are given. Had begun to despair of getting back to Pennsylvania, the Highlanders being ordered to the northward. After many struggles the troops are finally provided with quarters; the division (Royal Americans) took possession two days ago of the new barracks; 500 Highlanders are also provided for; the barracks for the remainder will be ready soon; hopes the officers will be provided for when the Assembly meets. Has made a bargain with a captain of the provincial troops of North Carolina to recruit the men for this division. Respecting the disposal of men over the number in the other division. Respecting musters, &c., of the men with him (Bouquet). 86

February 28,
Charlestown.

Same to Governor Lyttleton. Calling attention to the rules made by Assembly regarding the quartering of the officers which are contrary to

1758.

all precedent either in Europe or America. In the north the troops are all quartered without the smallest difficulty; those in South Carolina should be put on the same footing as those in other parts of America. Is apprehensive of disputes between the officers and inhabitants owing to the rules; he insists on having all the officers quartered either in barracks properly furnished or in the town, and points out that it is only reasonable to make a sufficient allowance to officers who have removed from their quarters or who have never had any assigned to them since they came to the Province. Page 90

March 3,
Charlestown.

Bouquet to Lyttleton. With explanation of statements in previous letter and names of officers who removed from their quarters or never had any assigned to them. The furniture required in barracks. The practice in the Northern Provinces, which is detailed in letter from the Quarter Master General. 94

Letter enclosed from major Robertson, D.Q.M.G. 95

Also enclosed. List of officers removed or who had no quarters assigned to them. 97

March 5,
Charlestown.

Same to Ensign McIntosh. Approves of his plan for providing cattle for the garrison as stated in his letter of the 9th ultimo. He (Bouquet) will supply the post with provisions; to report monthly the state of the Province. Returns of provisions, &c., to be sent. 99

Apparently in answer to letter of the 17th February from McIntosh, in which he gives a detail of the difficulties of obtaining provisions and the steps taken to obviate these and to get supplies for the garrison. The letter is stated to be from *Lieutenant* not *Ensign* McIntosh. 103

March 10,
Charlestown.

Same to Colonel Forbes. Letter received; will use the utmost diligence to sail with the five companies of the R.A.R. (Royal American Regiment). His instructions and orders shall be left with Colonel Montgomery, to whom Mr. Hunter has been directed to furnish future supplies of money. Hopes to be at New York before this letter. Orders received from Lord Loudoun as to embarkation, &c. 101

MILITARY ACCOUNTS SOUTH CAROLINA.

1757-1758.

A. 3.

B.M., 21,633.

1757.

Account of the subsistence of the first Highland battalion commanded by the Hon. Archibald Montgomery. Pages 13-20

Account of the subsistence paid to the officers of the five companies of the first battalion of the Royal American Regiment, in South Carolina June to October 1757 (marked A). 2

B. Same for the subsistence of the companies. 4

C. Account of the contingencies paid for the forces in South Carolina. 6

D. Account of money issued for recruiting, and other regimental contingencies. 7

General account. 8

In these accounts the names of all the officers are given.

Other accounts of the same nature. 9 to 13, 14 to 18, 21 to 24.

1758.
February 28,
Charlestown.

Muster of the first battalion of H. M. Royal American Regiment, commanded by the Right Hon. The Earl of Loudoun: the names of the officers and men are all given: beginning with that of Henry Bouquet Lieut. Colonel and Captain. 27

CORRESPONDENCE WITH GEN^L AMHERST.

1759—1763.

www.libtool.com.cn

A. 4.

B. 21,634.

1759.
March 1,
Philadelphia.

Bouquet to General Amherst. Had been left to fortify the different posts on the communication with the Ohio, but was summoned here to see Brigadier Forbes; found him so far gone that he could not see him. The intelligence from Pittsburgh admits of no delay in sending. All accounts are unsettled, and further delay in payment would prove of bad consequence. The 100 Maryland men left at Fort Cumberland reduced by desertion to 25, having received no pay, so that the Fort may be abandoned. Pennsylvanians not yet paid. Deputies of the Six Nations on the Ohio demand an answer. Provisions sent to Pittsburgh not paid for. Orders must be sent to prevent the confusion that will be caused by the death of Forbes. Page 1

March 5,
New York.

Amherst to Bouquet. His concern at the situation of Forbes. The probability of his death before this reaches and that the troops will be under Bouquet. The importance of keeping up communication with Fort du Queere. In the state of Forbes' health, his intentions to be carried out. Has desired Governors Fauquier and Sharpe to meet him at Philadelphia. Will give all the assistance he can in clearing the unsettled accounts of last campaign. Has no doubt the Provinces will exert themselves in raising and paying troops, according to the King's pleasure. Hopes to settle the matter of the troops, supposed to garrison Fort Cumberland, with the Governor of Maryland personally. To assure the Indians that he (Amherst) shall not neglect to secure their interests. Is not inclined to believe the Indian reports as to projected attacks on Pittsburgh. Is confident Forbes has left orders for its defence. The enemy should be attacked if it venture too near. 4

March 7,
New York.

Same to Sir John St. Clair (there is no signature). That he is to have all the accounts for the last campaign ready for examination and settlement. 8

March 9,
New York.

Same to Bouquet. An Engineer to be stationed at Fort Ligonier to be at hand for duty where wanted. To try to quiet the people of Philadelphia about their accounts. 9

March 11,
Philadelphia.

Bouquet to Amherst. The death of Forbes. Amherst's orders transmitted to Col. Mercer. Satisfaction of the Indians. The garrison of Fort Cumberland reduced to a few men; an officer and 20 men to march there from Bedford. Governor Denny has laid Amherst's message before the Assembly. No precise news of the arrival of the Governors of Virginia and Maryland. Mr Griffiths, a Quaker, has prepared his house for Amherst's reception. He (Bouquet) has taken command of the troops. His reasons for so doing. Objections made by Col. Morris of the 17th; asks for Amherst's decision. 11

March 13,
New York.

Amherst to Bouquet. News of the death of Forbes received. Brigadier Monckton arrived from Halifax to succeed Forbes. Till he reaches Philadelphia, Bouquet to take command. The necessity of having a Genl. in command. Will accept the offer of Mr Griffiths. 14

March 13,
Philadelphia.

Bouquet to Amherst. The disaffection of the Ohio Indians confirmed; the difficulty of ascertaining the strength of the French in these parts. The weakness of the new fort at Pittsburgh. If attacked the garrison to burn it and fall back on Ligonier or Fort Cumberland. The state of the garrisons of Ligonier, Bedford, Cumberland, &c. The possession of the Ohio cannot be secured without 1,000 men and artillery at Pittsburgh. The difficulty with "this obstinate people," to obtain carriages till they are paid; ready money would remove that. The

- 1759.
- proposed routes by the roads; by the Potomac on to Monongheela, Bateaux to be built. Little success in recruiting for the Royal Americans; their bad condition from exposure and sickness. The slow pace of the Assembly will lose so much time that their troops will be of no service for this campaign. It might not be improper to give the Assembly a hint of their danger. The inefficiency of the provincials from bad management. Page 16
- March 15, Bouquet to Amherst. Arrival of Governor Sharpe. Governor Fauquier, Philadelphia. of Virginia, will not come owing to the objections of his Council and Assembly. 22
- March 16, Amherst to Bouquet. Does not credit the news from Pittsburgh, but New York. they must be on their guard as much as if they believed the intelligence. Is convinced that, though small, Pittsburgh can be defended successfully against any force the enemy can bring. Has no fear of Ligonier either, but it must be placed in a respectable condition. In event of an attack the whole of the garrisons to move forward to Pittsburgh. Approves of his orders. Trusts that the Pennsylvanians will not delay; their accounts are called in for settlement. Brigadier Stanwix is to take the place of Monckton, appointed elsewhere. Ligonier the proper post to have reinforcements placed for the security of the whole communication. Pittsburgh only fit for defensive operations. 23
- March 18, Same to the same. Col. Byrd's regiment ready to move to Fort New York. Ligonier, whenever required. No appearance of an offensive campaign to the southward. Will draw regulars "this way" (towards New York) and four companies of the Royal Americans. As he expects a successful campaign will send for him (Bouquet) to partake in it. 27
- March 22, Bouquet to Amherst. Has transmitted dispatches to the posts. Byrd Philadelphia arrived; his regiment cannot be sent to Ligonier till provisions are laid in. Thanks for drawing the (Royal) Americans into his (Amherst's) army. 28
- July 5, Same to commanders of posts. Landing and attack by French and Oswego. Indians, who retired about sunset. They numbered 1,500 with 150 Indians, under the command of LaCorne. Capt. Somers shot through the head and others also wounded. Precautions to be taken at the posts. 29
- July 11, Same to the same. Indians trying to get prisoners. Precautions to Oswego. be taken. This letter to be sent from post to post. News expected from Niagara. 30
- December 18, Amherst to Stanwix. Letters by Lee received with account of Council of War at Pittsburgh, which he hopes was respecting the relief of New York. Niagara. Lt.-Col. Eyre sent to command at Niagara. Thinks great progress has been made at Pittsburgh, considering the obstructions; it should be able to hold out against attack. Major Tulleken may go to England when Bouquet is ready to command at Pittsburgh, but does not think he can be back for next campaign. The merit of Col. Mercer; the provincials fortunate in the Colonels they have. Arrival of Brigadier Monckton with other wounded officers from Quebec. Regiments to provide their camp necessities by 1st March. How they are to exercise. Orders for recruiting. 33
- 1760.
- June 3, Same to Bouquet. The accounts of all the regiments cleared except Albany. those of the Royal Americans (60th) and Montgomery's, owing to their confused state. They must be rectified before clearing by Lord Barrington. 35
- June 24, Bouquet to Amherst. Respecting the state of the accounts of the Fort Pitt. 60th, and the cause. 36
- June 24, Same to Calcraft. Respecting the accounts of the 60th (Royal American Regiment), and the cause of the confusion. 38

1760.
July 24,
Oswego. Amherst to Bouquet. Has received explanations as to the state of the accounts. Cannot grant warrant for the balance due, as the expenses were incurred before he took command. Page 39
- October 18,
Crown Point. Same to the same. Sending rules for admission to Chelsea Hospital. 40
- November 27,
New York. Same to the same. That he will promote the Sergeant-Major of the battalion to the vacant ensigncy if Bouquet recommends it. 41
- December 20,
Fort Pitt. Bouquet to Amherst. He objects to the promotion of Sergeant-Major Patrick, and recommends Edward Hubbard for the vacant ensigncy. 42
1761.
January 16,
New York. Amherst to Bouquet. Has received 2,101 Spanish dollars from the Society for the encouragement of British troops abroad, to be distributed among the orphans of soldiers slain in battle. The share of his battalion is ready, and is to be distributed when he receives it. 4,011 pairs of shoes also sent for distribution. 44
- March 2,
New York. Same to the same. His objections to Sergeant-Major Patrick well founded. Hubbard's commission as ensign is signed. 47
- March 20,
New York. Same to the same. Orders received for a reduction in the regiments in North America. The reduction of the Royal Americans, the effect in regard to pay; how the present hardship is to be got over, in respect to those made supernumerary, until further orders are received. 49
- March 23,
Fort Pitt. Bouquet to Amherst. Has drawn for the money for the orphans. When the shoes arrive they will be equitably distributed. 52
- March 28,
New York. Amherst to Bouquet. Warrant to deliver up a negro, captured by the French, but retaken, to his owner, Mr. Cuthbert, of Philadelphia. 53
- March 28,
New York. Same to the same. Exchange sanctioned between Lieut. George Collins of the 9th and Lieut. W. Rider of the Royal Americans. Commission signed for Lieut. Bentinck to the 45th and Volunteer Hubbard to be Ensign of the 1st Battalion 60th. 54
- April 12,
New York. Same to the same. Forwarding letters. Will honour his orders for the money to be distributed to orphans. 55
- April 21,
Fort Pitt. Bouquet to Amherst. Is carrying the orders for reduction into effect. Has received note of the promotions. Negro returned. Another negro *Tom Hines* still with the regiment. 56
- May 11,
New York. Amherst to Bouquet. Lieut. Bentinck has delivered the negro to his master. Not to part with *Tom Hines* till further inquiry be made. 58
- August 11,
Albany. Same to the same. Three contingent men to be allowed to each company. 59
- August 13,
Plymouth. Depositions regarding Thomas Hind or Hide, reported to be at Pittsburgh, that he is a free negro. 60
- September 8,
Boston. Thomas Hancock to Amherst. With depositions and statements that Tom Hyde is a free negro. (See pp. 56, 58, 60). 63
- September 17,
Staten Island. Amherst to Bouquet. Sending letter and depositions relating to Tom Hyde. Promotion of Ensign Jarret; he is ordered to Niagara. 64
- September 23,
Staten Island. Same to the same. Enclosing Gazette that the King has demanded the Princess Charlotte of Mecklenburg Strelitz in marriage. 65
- November 23,
New York. Col. W. Amherst to Bouquet. There being 19 supernumeraries over the establishment of the 1-80th., 19 men, whose service is out are to be discharged. 66
- December 2,
Fort Pitt. Bouquet to Amherst. The Pennsylvania troops have all deserted but 60, their time being up and they refused to wait. Distribution of troops to Forts Ligonier, Juniata, Stony Creek, Bushy Run and Sandusky. Presqu'Isle in want of provisions. Resignation of Lieut. Rolfe; Thomas Hutchins recommended to succeed. 67
- December 9,
New York. Amherst to Bouquet. List of promotions and exchanges. 69

1761.
December 24, Fort Pitt. Bouquet to Amherst. The supernumerary privates will be discharged when the mountain road is free of snow. Applies for invalids to be put on the Chelsea list. Page 70
- December 26, Fort Pitt. Same to the same. Respecting complaints by contractors. Abstract will show how the accounts were settled. Nelson refusing to honour bills, the contractor's agent had to draw direct. The affairs he asks to be left in the Quarter Master General's hands. (28th) Arrival of Lieut. Willyamotz. Captain Balfour and 40 men bound for Niagara had fallen back on Sandusky and were without provisions on their way to Fort Pitt. Lots of provisions for Presqu'Isle. The men more than can be subsisted there should be sent to LaBoeuf. Flour sent to Sandusky. Niagara and Detroit both in want of provisions. 71
- December 31, New York. Amherst to Bouquet. The conduct of the provincials does not surprise him. The distribution of detachments approved of. The reason for the short supply of provisions at the posts. The vacant commissions to be filled up. 76
1762.
January 12, Fort Pitt. Bouquet to Amherst. Damage to the fort by floods, with details. 79
- January 16, New York. Amherst to Bouquet. Croghan gone with Indian accounts to Sir William Johnson; their prodigious amount. Has granted a warrant on account of reasons given by Sir William; but orders for Indian presents must be sparing in future. Rum and spirits forbidden to be carried by Indian traders. All officers to enforce this rule. 83
- January 21, New York. Same to the same. Gage's detachment under Balfour to proceed to Philadelphia, thence to New-York. Mr. Franks explains why Bouquet's bills on the contractors were refused (See p. 71). No change made in the payment for contingencies. Approves of the distribution of the troops for ease in provisioning them. General complaint of the severe winter. Is surprised at the want of provisions at Niagara. 85
- January 21, New York. Col. William Amherst to the same. Invalids can derive no benefit from Chelsea whilst they remain in this country. Those who can work would be better to remain. The General will send home those who are fit objects. 88
- Postscript.* Discrepancy in the charge for supernumeraries. How to be reduced. 89
- January 31, New York. Amherst to the same. News received of the damage by floods to Fort Pitt; approves of the measures taken for security. Is afraid after all the expense that the same may happen again. Lt. Col. Eyre ordered to report. 90
- February 3, Fort Pitt. Bouquet to Amherst. Lieut. Meyer has left Ensign Pauli and 15 men at Sandusky. The blockhouses at Presqu'Isle and Venango might be reduced to subaltern commands. Partial clothing only arrived. Ensign Gorrel the only officer willing to purchase. 92
- February 5, New York. Amherst. Orders that Sampson Fleming, appointed Deputy Commissary at Detroit, is to be forwarded by the officers at the posts. 94
- February 6, Fort Pitt. Bouquet to Amherst. Col. Stephen, commanding the Virginian Regiment, desires that the detachments at the different posts be relieved to march to Winchester for disbandment. Has no means of relieving them and has guaranteed the men's pay should the Province refuse to pay them. 95
- February 6, Fort Pitt. Same to Major Levingston. The garrison at the Crossings, Fort Cumberland and Redstone Creek to stand fast till relieved; their pay will be answered for. Returns wanted. Indians complain of white men hunting and destroying game. An example to be made. 97
- February 6, Fort Pitt. Same to Sergeant McDonald. Similar orders to the preceding. The sergeant may go to Winchester to settle the men's accounts. 98

1763.
February 9,
New York. Amherst to Governor Sharpe. To restore tranquillity in the old Provinces and in those newly acquired, His Majesty desires that each Province raise its quota of men to be in readiness for an early campaign. Page 99
- February 10,
New York. Same to Bouquet. Lt. Col. Eyre proceeds to inspect the forts in order to report on the means to be taken for their security. Stanwix provided for; Colonel Prevost to take charge of the 1st Royal Americans. Commissary Leake's remarks on the provision department to the southward. The large number of women drawing rations cannot be allowed. 103
- February 28,
New York. Same to same. Proclamation by Bouquet has given offence in Virginia; there seems no reason for it, and letter to Governor Fauquier would, no doubt, explain, but no room must be given for the Colonies to complain of the military power. 105
- March 2,
New York. Same to the same. Approves of reducing the garrisons at Presqu'Isle and Venango. The two men deserted to the Indians will, no doubt, be given up. He (Bouquet) did right in ordering the Virginian detachments to remain. The Assembly will raise more men for next campaign, the King's commands being before it. Is waiting for the recommendation before promoting Ensign Gorrell. 106
- March 7,
Fort Pitt. Bouquet to Amherst. Respecting the disposal of invalids. 108
- March 7,
Fort Pitt. Same to the same. His illness has prevented him answering letters of 9th December and 16th, 21st and 31st Jan., which he now does. Indian expenses will be reduced. The small sum he has expended in four months. No strong liquors permitted, but some may be carried through the woods. Hopes Col. Eyre's report will show the fort to be tenable in spite of floods. Scalps taken by Shawanese. 110
- March 10,
Fort Pitt. Same to the same. Death of Captain Richard Walker of the Grenadiers of the Royal Americans. Proposed succession in consequence of vacancy. 113
- March 28,
New York. Amherst to Bouquet. Reduction of Martinique by Monokton, with details. 114
- March 30,
Fort Pitt. Bouquet to Amherst. Col. Eyre's arrival; every light given to him to make a full report on the fort, &c. Col. Prevost put in orders as Colonel commandant. Observations on Commissary Leake's remarks on provision department. The danger of the limited service men in the battalion demanding their discharge and there is no fund to recruit. The inconveniences suffered by the officers. State of the stores at Ligonier and Bedford. There are 200 or 300 prisoners of "our people," still among the Indians, who are promised to be delivered this Spring. Presents to be given for this and for other occasions, but will deal with discretion. 115
- April 1,
Fort Pitt. Same to the same. Relative to the complaints of Governor Fauquier, (see p. 105). His reason for preventing outlaws from settling on Indian lands. His further reason was to frustrate the bubble scheme of Colonel Cresup to settle the Ohio. The attempt to bribe him (Bouquet) to go into the scheme. His attempt to prevent a scandalous breach of Treaty. Believes that he has incurred the enmity of persons in Virginia about roads and provisions, which leads him to desire a change of command. There is a greediness to engross the lands, which leads to jealousy. The garrisons at Presqu'Isle and Venango will be reduced. 120
- April 3,
New York. Amherst to Bouquet. Declaration of War with Spain. 124
- April 4,
New York. Same to the same. Respecting Indian accounts; and how the heavy burden may be reduced. Sorry to hear of the scalps taken by the Shawanese. Will write Sir William Johnson as to the best method of treating these Savages, as he (Sir William) is the best judge. 125

1762.
April 6,
New York. Colonel William Amherst to Bouquet. The General would grant ten pounds to each of the two invalids remaining in the country, but is afraid to establish a precedent. The other three are proper objects for Chelsea. Page 137
- May 2,
New York. Amherst to the same. Unfavourable report by Colonel Eyre of the state of the works and situation of Fort Pitt; to go on with the hands he has. List of commissions issued. Has made a requisition for recruits and will not, therefore, keep any of the men whose service has expired, but to keep any who will re-enlist. Sees no hope of bringing the whole of the Royal Americans together. Approves of disposing of the flour, &c., at Ligonier and Bedford. The bad effects of transferring the charge of the Indians to the Provinces; they must not get too much ammunition whilst the war lasts and no rum, as its prohibition will prevent many crimes. Is glad of the savings in the Indian Department through Bouquet's care. The English in the hands of Indians must be given up. Supply of provisions sent to Canada. Lieutenant Governor and Council of Virginia satisfied with Bouquet's answer. (see p. 105). Approves of his not allowing traders to pay for licences. 138
- June 7,
New York. Same to the same. Has sent warrant for Croghan's Indian accounts. Is hopeful that by Bouquet's efforts the Indian expenses will be lessened. The prohibition of rum was in consequence of the evils caused by it. The rum seized from the trader to be retained. Men entitled to their discharge will receive it when recruits come in. Is not yet certain as to the destination of the Virginians. Provisions sent to Niagara from Fort William Augustus and Oswego. 133
- June 8,
New York. Col. William Amherst to the same. When invalids arrive they will be taken care of and sent to England. 136
- June 14,
New York. Same to the same, with list of promotions. 137
- June 19,
New York. Amherst to the same. Forwarding two deserters from the first Royal Americans, who are to be sent to the company to which they respectively belong. 138
- July 14,
New York. Same to the same. Vanhulst, Surgeon's mate, recommended by Sir Joseph Yorke, can be provided for at Annapolis Royal, if there is nothing against him. Fifty head of cattle sent to the Detroit to a trader, on a proposal by Captain Campbell, which he hopes will answer. 139
- July 25,
New York. Same to the same. Croghan's Indian accounts very high. To refuse all presents to Indians till the prisoners are delivered; good effect of this course with Cherokees in South Carolina. Stores at Ligonier, Temporary bridges to be repaired. The Virginians the only provincials that could be sent. 140
- August 3,
New York. Same to the same. To transmit accounts of the money received for Montgomery's Regiment, in answer to letter and memorial to the War Office. Peace concluded between Russia and Prussia and between Prussia and Sweden. 143
- August 29,
New York. Same to the same. Croghan's Indian accounts referred to Sir William Johnson. He sends list of the necessary officers; the retrenchment to be carried out. 144
- September 6,
New York. Same to the same. The surrender of the Havana to British troops. 145
- October 5,
Fort Pitt. Bouquet to Amherst. The appointment of Major Gladwin. The care of the men entitled to their discharge; the difficulty of retaining them. Desertions. The disposition of the Indians. Not satisfied with what took place at Lancaster. The frequent attacks by the Six Nations on the Cherokees. Captain Basset's accounts not passed, though in accordance with orders by Gordon, &c. 146

1762.
October 9, Fort Pitt. Bouquet to Amherst. The Province of Pennsylvania sends officers to treat with the Indians relative to the prisoners. The Crown having hitherto made all the treaties, he (Bouquet) cannot allow of provincial interference without orders from the General. Page 149
- October 9, Fort Pitt. Same to Richard Peters. Pointing out the objections to the Commissioners from Pennsylvania dealing directly with the Indians. 151
- October 13, New York. Amherst to Bouquet. Surrender of Newfoundland by the French to Lord Colville and Lt. Col. Amherst. The casualties. 154
- October 19, Carlisle, Penn. Andrew Levy to the same. With a packet of letters which had been handed to Col. Burd for delivery, but left by him at Philadelphia. 156
- October 24, New York. Amherst to the same. Is surprised that his letters have not been received. The men may be discharged whose time has expired although there are no recruits to take their places. Basset may come to settle his accounts and he (Bouquet) may have a short leave of absence. 157
- October 25, New York. Col. William Amherst to the same. Regimental returns received. 159
- October 26, Fort Pitt. Bouquet to Amherst. Explaining delay in receipt of letters. Vanhulet deserving promotion; he goes to New York at once. Cattle sent to Detroit must have answered well. Croghan instructed to conform to Sir W. Johnson's orders. No prisoners yet brought in by Indians. Respecting the accounts of Montgomery's regiment. Congratulations on the reduction of Havana. 160
- October 26, Fort Pitt. Same to Abraham Mortier, Deputy Paymaster General. Respecting the accounts for the money placed in his hands in 1757 and 1758 for subsisting the detachments under his command. 163
- October 30, New York. Amherst to Bouquet. Commissary Leake complains that his deputies receive no fuel at the posts. Orders to issue for a sufficient supply. 165
- November 10, New York. Same to the same. How the negotiations with the Indians for prisoners are to be carried on; believes the Governor of Pennsylvania will agree to Bouquet's plan. 168
- November 11, New York. Same to the same. Precarious communication between N. Y. and Pittsburgh. Enclosing duplicates of previous letters. 167
- November 14, Fort Pitt. Bouquet to Amherst. Has discharged 23 of the men whose service had expired; the rest will serve till April. Will leave Capt. Eouyer in command of the post during his (Bouquet's) absence. Indians have not brought in the captives. Will leave such orders as not to displease Pennsylvania, nor cause expense to the Crown. Congratulations on late military successes. 169
- November 21, New York. Amherst to Bouquet. Flour damaged at Forts Bedford, Ligonier and Pitt, to be disposed of. 171
- December 12, Philadelphia. Bouquet to Amherst. Governor Hamilton of Pennsylvania has left the management of the Indians and their prisoners in his (Bouquet's) hands. Will be detained collecting his papers, but will leave soon for New York. Orders about condemned flour will be attended to. 172
- December 29, List of the Officers of the 42nd or Royal Highland Regiment, according to seniority. 173
- December 31, New York. Amherst to Bouquet. The surplus as well as the damaged flour already ordered to be disposed of at the posts, is to be sold to traders and emigrants. 176
1763.
January 8, New York. Bouquet to Amherst. Requesting that an allowance for carriage may be made to officers serving in the distant posts. 177
- January 10, New York. Same to the same. Memorial for orders respecting the administration of the Department of Fort Pitt, in the form of queries. 178
- January 11, New York. Amherst to Bouquet. Answers to the preceding queries. 181

1762.
 January 11, Amherst to Bouquet. That he has enclosed answers to queries. That he can make no allowance to officers for cost of carriage to Fort Pitt; the 55th are as badly off on another communication. The added cost of necessaries to the soldiers is made up by the allowance of provisions. Page 189
 New York.
- January 21, General Orders, promulgating the cessation of arms between the most Christian King (King of France) and the Catholic King (King of Spain). Order signed by Wm. Amherst, Dy. Adjut. General. 191
 New York.
- January 21, Amherst to Bouquet. Announcing the news of the cessation of arms. Orders to be issued to the Posts in accordance therewith. 192
 New York.
- January 22, Bouquet to Amherst. Will transmit orders to the Posts in accordance with preceding letter. 193
 New York.
- January 28, Amherst to Bouquet. Captain Basset to set out with artificers, to take charge of building bateaux at Fort Pitt. 195
 New York.
- No date. Form of the subsistence abstract of the 1-60th, with the stoppage for provisions. 196
 Plan of His Majesty's 42nd Regiment of Foot according to the new establishment, initialled by Amherst. 197
- February 10. Copy of the seventh article of the definitive Treaty of Peace and Friendship between His Britannic Majesty, the most Christian King (of France) and the King of Spain, concluded at Paris. 193
- February 17, Bouquet to Monckton. Respecting papers, vouchers &c., gone astray. 200
 Philadelphia.
- February 12, Same to Amherst. Artificers gone to Fort Pitt to build bateaux. Shawanese have delivered a few prisoners. Soldier's letter claiming discharge. The missing papers and vouchers. The Virginians have left Fort Burd and Cumberland; a few men will be sent. Monthly returns forwarded. 202
 Philadelphia.
- February 16, Amherst to Bouquet. Letters acknowledged. Arrival of man of war with preliminaries. Brehm to be sent to Detroit. Remarks on his missing vouchers, &c. Indians who may be objects of charity are to be relieved. The extraordinary nature of the soldier's letter (see p. 202). 205
 New York.
- February 21, Same to the same. Arrival of Vanhulst who will get his promised commission. Disapproves of officers holding double commissions, therefore sanctions the sale by Lieut. Dow of his Quartermastership. 206
 New York.
- March 1, Same to the same. Quarter-master Dow's resignation received and Clark's commission issued in succession. Order sent for amount of bill drawn. 207
 New York.]
- March 7, Bouquet to Amherst. Acknowledging receipt of last letter with enclosures. Capt. Ecuyer reports from Fort Pitt that the Delawares will deliver their prisoners in spring. Major Gladwin desires the camp equipage of the Royal Americans at Detroit to be sent there. 208
 Philadelphia.
- March 13, Amherst to Bouquet. The Indians will no doubt give up the prisoners on account of the peace. Every detachment of the 1st Royal Americans to be supplied with camp equipage. Ourry to procure horses wanted by Major Gladwin at the Miamis. He (Bouquet) is to postpone his visit to Maryland till further dispatches arrive. 209
 New York.
- March 17, Bouquet to Amherst. Camp equipage will be sent to the different detachments of the R. A. R. Has written to Capt. Callender for horses, which Ourry will pay for. A draughtsman might go with the detachment down the Ohio with instructions to sketch the river. May he order 50 axes at Germantown? Will not leave for Maryland till he receives orders. 211
 Philadelphia.
- March 20, Amherst to Bouquet. There is no hurry for camp equipage. Draughtsmen wanted for more essential service, so that one cannot go down the Ohio. Must suspend orders to contractors for flour to Pittsburgh till the arrival of mails, as he does not know what changes may be made. 212
 New York.

1763.
 March 28, Philadelphia. Bouquet to Amherst. The floods at Fort Pitt seem to become annual. The damage to the Fort this year. The provisions, ammunition and stores saved. Two inhabitants drowned and bridges carried away. Page 213
- March 30, Fort Miami's. Ensign Robert Holmes. Copy of a speech by the chiefs of the Miami Indians, on delivering up a belt sent by the Shawanese to incite them to join for the destruction of the English. 214
- March 31, Philadelphia. Bouquet to Amherst. Asking permission to purchase a commission for his nephew. Asks leave to go to Annapolis. 216
- April 3, New York. Amherst to Bouquet. Only temporary repairs to be made to Fort Pitt, till further orders arrive. Leave granted to go to Maryland. Agrees to Bouquet's nephew buying an ensigncy but not a lieutenancy. 218
- April 7, Philadelphia. Bouquet to Amherst. His business in Maryland will be dispatched in a few days, when he will return to Philadelphia. Has received duplicates of vouchers from Fort Pitt, which he will forward. Respecting his nephew's commission. 220
- April 9, New York. General Order, signed by Wm. Amherst, D.A.G., conveying the thanks of Parliament to the Army. 221
- Enclosed.* Letter from the War Office with resolution of the House of Commons and thanks from the Minister of War. 222
- Also the resolution of the House signed by Sir John Cust, speaker. 223
- April 10, New York. Amherst to Bouquet. There is nothing to prevent him going to Maryland. Vacant ensigncy not to be filled. The public orders transmitted to be made known to the troops at Fort Pitt. 224
- April 16, New York. Same to the same. Spencer will be appointed Surgeon's mate if found qualified. 225
- April 17, Annapolis. Bouquet to Amherst. General orders received. His appreciation of the approbation expressed at the conduct of the Army. He will return to Philadelphia early in May. 226
- April 30, Fort Pitt. George Croghan to the same. Sending accounts and vouchers. The Shawanese have delivered up five prisoners. Notes of the interview sent to Bouquet. The Indians about Detroit uneasy at the cession of North America by the French, who had no right to give away their country. 227
- April 30, New York. Amherst to Bouquet. Muster rolls to be got ready as usual. 229
- May 4, New York. Public order announcing the Definitive Treaty of Peace being signed. 230
- May 10, New York. Amherst to Croghan. Respecting his accounts and vouchers for the Indian expenditure. A meeting of Indian tribes to be summoned by the King's orders to have the terms of the late Treaty of Peace explained to them. It is of little consequence what they think as it is their interest to keep quiet. 233
- May 11, Philadelphia. Bouquet to Amherst. Sending McKee's report of his talk with the Shawanese Indians. All the good flour from Bedford used. Flour wanted for the posts, besides cattle. Deserters in gaol. 236
- May 15, New York. Amherst to Bouquet. Transmits Croghan's letter and his (Amherst's) answer. Is sorry that the Indians have such idle notions about the cession, but trusts they will deliver up the prisoners and not compel harsh measures to be used. Deserters must continue in gaol. Owing to the uncertainty has not made fresh contracts for provisions for the posts, &c. 237
- May 17, Provision Return at Fort Pitt and dependencies from 26th December 1761 to 25th December 1762. Signed by John Read, Deputy Commissary. 239
- May 18, St. James'. Royal Warrant for the reduction of the forces under Amherst. 241

1763.

Plan of the establishment of the 60th or Royal American Regiment.

Page 246.

- May 18, Philadelphia. Bouquet to Plumsted and Franks, agents for the contractors. To send flour and live cattle to Fort Pitt. 248
- May 19, Philadelphia. Same to Amherst. Croghan's correspondence received. The fears of the Indians natural, but it is their interest to keep quiet. If thought worth the expense, a meeting of chiefs might be held at Pittsburgh. Supplies ordered for Fort Pitt. Has passed recruits for the 34th. Are the ship carpenters at Pittsburgh to be discharged? 249
- May 20, Philadelphia. Plumsted and Franks. Are negotiating for the carriage of flour to Fort Pitt. 252
- May 20, St James'. Royal warrant for draughting men from the reduced corps to fill up the other regiments to the new establishment. 253
- May 21, Philadelphia. Bouquet to Governor Horatio Sharpe, of Maryland. No orders yet received for taking possession of the western frontiers. The Indians displeased at the cession. His Spanish mare to be sent to Annapolis. 255
- May 23, New York. Robert Leake to Arthur Mair. Respecting the quantity of flour and beef ordered for Fort Pitt by Bouquet. 257
- Calculation of the provisions required for 400 men for 1 year, follows. 257
- May 23, New York. Amherst to Bouquet. It is probable that a meeting of Western Indians will be ordered. The contractors are to forward the provisions as they best can. Carpenters to be discharged when their present work is completed. Encloses Leake's letter and calculation as to provisions. 258
- May 24, Philadelphia. Bouquet to Captain Ourry and Lieutenant Blane. Orders respecting flour, &c., for Fort Pitt and dependencies. 259
- June 4, Philadelphia. Same to Amherst. News from Fort Pitt of Indian insurrection. Has made no change in the order for provisions to the contractors. This alarm will put a stop to carriages, as no countryman will venture up. 260
- June 5, Philadelphia. Same to the same. Further news of the Indians; has written to Governor Hamilton to reinforce Bedford, and send up powder, if a sufficiently strong escort can be sent. Ourry collecting all the inhabitants about Bedford. 261
- June 6, New York. Amherst to Bouquet. In consequence of preceding letters the light infantry companies of the 17th, 42nd and 77th to be completed and sent off to act against the Savages. Believes it will end in nothing more than a rash attempt of the Senecas. Their power to cut off families and surprise weak posts, is owing to them receiving supplies of powder and lead. Such posts as Fort Pitt can be in no danger. Is only sorry the guilty should escape; the only way is to keep the Indians in subjection. Croghan's proper place is at Fort Pitt. Approves of his having informed Governor Hamilton, but as he has no confidence in the Assembly he has himself made proper preparations. The Senecas deserve a severe chastisement. 262
- June 9, Philadelphia. Bouquet to Capt. Ecuyer at Fort Pitt, or Ourry at Bedford. Not hearing further, he supposes the rash attempt of the Indians has had no other bad consequences. The General has taken the necessary measures to chastise these infamous villains. He (the General) is satisfied that posts commanded by officers run no risk. The success at Manilla. Croghan to proceed direct to Fort Pitt. 265
- June 10, Philadelphia. Same to Amherst. Sending intelligence from Capt. Ecuyer. Governor Hamilton states that the Susquehanna Indians have summoned Fort Augusta; he will meet his Council and endeavour to raise men for its support. He (Bouquet) will do his utmost to accelerate this service. Ourry afraid that the inhabitants of Bedford will not remain unless supported by troops. 267

1763.
June 12,
New York. Amherst to Bouquet. The affair of the Indians more general than he apprehended. Inconvenient to send troops just now, but major Campbell is to march immediately with reinforcements. He (Bouquet) is to have full control of them. If any posts have been taken, they are to be immediately recaptured. Orders to St. Clair and to Governor Hamilton to assist in forwarding troops. Bouquet himself to go to Fort Pitt. Page 268 270
- June 13,
Philadelphia. Bouquet to Amherst. Governor Hamilton authorised to raise 90 men to reinforce Fort Augusta and to act as escort to a convoy. 270
- June 14,
New York. Amherst to Bouquet. Major Campbell recalled to take command of the companies of the 42nd and 77th, that were removed to Staten Island. The oldest Captain to take charge in his room and to pursue his route as ordered. 271
- No date. Same. Intended disposition of the troops on Lake Erie &c. 272
- June 16,
Philadelphia. Bouquet to Amherst. Major Campbell to proceed to Philadelphia as per letter of 12th from Amherst. Too much in the dark to form a plan, but proposes to send the two companies as an escort; to make the garrison defensible, and to clear the communication. Suggests the propriety of abandoning the blockhouses at Venango and LeBoeuf, and sending the men to Fort Pitt or Presqu'Isle. The communication from Fort Pitt to Detroit by Sandusky impracticable during a war with the savages, owing to the nature of the ground. The panic general on the frontier. Proposes to form the provincials into rangers, under charge of an officer and to form a new magazine at Fort Pitt. 273
- June 18,
New York. Amherst to Bouquet. Sending another complete company of the 42nd and some artillery. 275
- June 19,
Philadelphia. Bouquet to Amherst. Sending vouchers by David Franks. Arrival of the two light companies. Hopes their appearance will induce the frontier inhabitants to return to their settlements; no hostilities on this side of the mountains. 276
- June 19,
New York. Amherst to Bouquet. Approves of his arrangements for the protection of the communications. The small remnant of the 77th not sent, the men being so weak from the West Indian distemper. Capt. Doyell to reinforce Presqu'Isle. Hopkins' Rangers routed on the way to Detroit by the Indians. None of the small posts to be given up, as that would encourage the Indians. Every measure to be taken to put a stop to further mischief and bring the Indians to subjection, as every act of kindness is looked on as proceeding from fear. To take temporary measures for the safety of the communication at Fort Pitt. He is to acquaint Governor Hamilton of anything extraordinary. Will reduce the Indians on the Detroit if they have done mischief. 277
- June 19,
New York. Same to Governor Hamilton. Respecting the raising of men and the means to be taken for the protection of the back settlers. Conjectures that the Indians have been raised by a belt from the French, which had been lying with the Miamis. 281
- June 19,
New York. Same to Plumsted and Franks. Will send an order for the sum laid out for carriage of provisions. As to Fort Augusta, the Province must pay the carriage to it, the object being purely provincial. 283
- June 23,
Philadelphia. Bouquet to Amherst. Fort Pitt in a good state of defence against the Indians, who daily fire on it; small pox broken out in the garrison. Casualties. Confirmation of the report of the loss of Sandusky. The ship carpenters very useful in the repairs at Fort Pitt. 284
- June 23,
New York. Amherst to Bouquet. Major Gladwin's account of the base and treacherous behaviour of the Indians, who had actually invested the fort (Detroit). The details of the plot and how it was met. Murder of Sir Robert Davis, Lieutenant Robertson and their boat's crew, whilst sounding Lake Huron. His (Amherst's) regret that the Ottawa and

1763.

- other chiefs were not instantly put to death. A re-inforcement has been sent to Gladwin's relief. Is determined to scour the country and punish the barbarians. Is raising a force for these purposes. Movements of troops given in detail. Sir William Johnson's plan for turning the Cherokee, Catawbas, &c., against the insurgent Indians. Page 285
- June 25,
New York. Amherst to Bouquet. Approves of Ourry's measures for the defence of Fort Bedford, &c. The evil effect of the inhabitants throwing themselves into the power of the Indians. The Indians below spirited up by the defeat of Lieutenant Cuyler's party. Croghan's opinion of the course of the Delawares and other nations probably correct. Indians held are to remain as prisoners. All the troops that could be collected have been sent to him (Bouquet). Is hopeful the Province will raise more men. Has urged Governor Hamilton to use his influence to this end, and get the Legislature to pass an Act to make the furnishing of carriage compulsory. Approves of Croghan having garrisoned Fort Littleton; the expense should be borne by the Province. Sir John St. Clair to be immediately ordered to the communication. Has sent Plumsted and Frack a credit for carriage. They should drive the live cattle and send bread with the troops. 292
- June 25,
New Lancaster. Bouquet to Amherst. Has received the welcome news of the preservation of the Detroit. The reinforcement will enable him to crush out opposition, till orders are given to extirpate the vermin from a country they have forfeited. Movements of the troops to Bedford and Ligonier. Would be sorry to be under any obligations to the Cherokees, and the Catawbas are no longer a nation. Would prefer to kill every savage than to be doubtful whether he is friend or foe. 293
- June 28,
Boston. Mrs Mary Clapham to the same. Asking that inquiry should be made, on behalf of the orphans, into the affairs of Lieutenant William Clapham, killed near Lake Erie in June 1762, and of Colonel Clapham, killed at Pittsburgh, in May last (1763). 290
- June 29,
New York. Amherst to Bouquet. Their sentiments exactly agree as to the treatment of Indians. He wishes to hear of *no prisoners* should the villains be met with in arms. Those concerned in the murder of Davis, Robertson, &c, or were at the attack on the detachment for Detroit, will certainly be put to death. Movements of troops. Sir John St. Clair has left. Bouquet to direct his movements. 298
- June 29,
Carlisle. Bouquet to Amherst. Arrival of the two light companies of the 42nd and 77th. A general panic has seized the inhabitants, so that no carriage can be found for provisions, &c. A detachment leaving for Ligonier by way of Bedford. Few Indians yet on these frontiers, but every tree has become an Indian for the terrified inhabitants. 300
- July 2,
New York. Amherst to Bouquet. All the troops to be pushed forward to Presqu'Isle and Niagara. Bouquet to go no farther than Fort Pitt, to be in readiness. Ship carpenters to be sent to Presqu'Isle from Fort Pitt to build lake craft. Major Gladwin to have charge of troops for retaking any forts that may have fallen. He is to forward his objects. Encloses letter from Col. Clapham's daughter (see p. 290). No traders to pass the posts until the savages are entirely reduced. 301
- July 3,
Carlisle. Bouquet to Amherst. The loss of the posts of Presqu'Isle, LeBeauf and Venango. The destruction of Presqu'Isle involves a change of plans; desires instruction. Fort Pitt has provisions enough not to require much risk for sending in a supply. On account of the harvest Pennsylvania cannot raise troops for six weeks or two months, and has no militia law. The Indians will cool down and be more easily dealt with then. The fright of the inhabitants makes it difficult to obtain carriage. Has made a demand on the Governor for arms, and proposes to

1763.

collect the frontier people in stockaded places for defence. The 2nd company of the 42nd will arrive on the 5th. He has secured all the provisions and powder possible. Page 304

July 7,
New York.

Amherst to Bouquet. The loss of Presqu'Isle can make no change in his plans. He (Bouquet) must advance the troops, sending reinforcements to Presqu'Isle, as already arranged, only taking care to make their march secure. Will order troops from Niagara to retake Presqu'Isle. If any troops arrive from the West Indies they will be sent to Niagara. He trusts that Pennsylvania will now raise a sufficient force to defend the back settlements. To get rid of all useless people at Fort Pitt as fast as is consistent with safety. The Six Nations reported to be quiet: Approves of Capt. Eouyer's conduct and trusts that the commander of every post will defend it to the last, and to keep no terms with the savages. 306

July 7,
New York.

Same to Governor Hamilton. Calling attention to the necessity for defence; he can use no argument with the Assembly if the present danger to the poor families does not make them open their hearts *like men*, but he (Hamilton) must use his utmost influence. 309

July 10,
New York.

Same to Bouquet. Has applied to Johnson for three or four Indians to send to Capt. Dalyell for intelligence of his motions. Three men missing at Niagara, supposed to have fallen into the hands of the skulking villains. 311

July 11,
Johnson Hall.

Sir William Johnson to Amherst. Informations to the manner of taking Venango, and the reasons given by the Indians for doing so. Determination of the Onondagas to live and die with the English as declared before all the assembled nations. The Senecas urging the destruction of the English, but are not joined by the other tribes. 313

July 13,
Carlisle.

Bouquet to the same. He will remain at Fort Pitt to forward the work. His disappointment of assistance by the extraordinary vote of the Assembly. Remarks upon the arrangements necessary under the circumstances. Will make the necessary inquiries regarding Colonel Olapham's effects. No traders will be permitted to pass, but they will not be difficult to prevent, as the Indians are murdering from 40 to within 16 miles of this place. The infatuation of the Government of Pennsylvania and the dilatoriness in respect to defence. 316

July 16,
New York.

Amherst to Bouquet. Letter of 13th received. Has requested Hamilton to place the provincials under his (Bouquet's) command. He (Bouquet) must be the best judge of what men can be allotted to the several garrisons. Every detachment should be able to act offensively or not be sent. Fort Pitt must not be left so thinly garrisoned as to be in danger. How to attack the Indians. Not to fire cannon, but to let them get near and shoot with small arms. The women and children cannot be sent away too soon. Other arrangements. Is sorry to hear the Indians have done mischief on the Patowmack (Potomac); it should be a spur to the Province in raising men. 310

July 16,
New York.

Same to the same. Governor Hamilton has obtained power to raise 700 men; has urged him to use all dispatch. Hamilton has since written that he will place the force so as to protect the men getting in the harvest, a plan to which he (Amherst) is opposed, as he desires the troops raised should be placed under Bouquet for general service, in which case provisions will be issued by the Crown. Bill passed by the Assembly (Pennsylvania) to compel the inhabitants to furnish carriage &c. for the king's service. Sir William Johnson sends information as to Indian movements. The Six Nations are to meet him at German Flats; he believes all but the Senecas will attend. To send a list of white people that fall by the Savages. The orders to put all Indians "that are or have been in arms against us and that fall in our power, to

1763.

dent, remain in full force," as their cruelties at Venango prove that no punishment is adequate to the crimes of these unhuman villains.

Page 323

July 16.
New York.

Amberst to Governor Harrison. The bill for compelling the inhabitants to furnish carriage &c. will be attended with good consequences. He relies on the commissioners paying the men raised by Croghan for garrisoning Fort Lyttleton. The provincials must be placed under Bouquet's orders or all the measures taken for the security of the country will be frustrated. Lt. Col. Robertson will fully inform him (Hamilton) of Amberst's designs. 326

July 17,
New York.

Col. William Amberst to Bouquet. Recommending Captain Clerk of Montgomery's, to his good service. 328

July 19,
Philadelphia.

Lt. Col. James Robertson to the same. All his arguments to induce the Governor and commissioners (of Pennsylvania) to place the provincials under Bouquet of no avail. "I never saw any men so determined in the right as these people are in their absurdly wrong resolve." 329

July 26,
Bedford.

Bouquet to Amberst. Will obey orders sent; will send list of persons killed by the Indians. Three more have been massacred at Shippenburg, Troops and convoy arrived and will rest for two days. Desertion. Pennsylvania has refused to garrison Lyttleton; he has placed some inhabitants in it.—Junata being decayed is evacuated. Invalids of the 42nd and 17th left to secure Bedford with the assistance of the inhabitants. Highlanders cannot act as flankers, as they lose themselves in the woods; is trying to get 30 woodsmen to march with the troops. Hopes to be able to save the intimated Pennsylvanians in spite of their endeavours to defeat Amberst's vigorous measures; even the most exposed inhabitants show the same backwardness. No word from Fort Pitt. An Indian prisoner sent to the Ohio for intelligence. 331

July 26,
Bedford.

Same to Colonel Robertson. Is not disappointed at the result of the appeal to the Governor and Commissioners as he knows their indifference to the service. Though utterly abandoned by the very people he is ordered to protect, he will do his best to save them from destruction. His want of men used to the woods; cannot send a Highlander out of sight without running the risk of losing him, which exposes him to surprise. The bad state of the roads causes slow progress. Has borne patiently the ill usage of this Province, having still hopes they will do something. 334

July 31,
New York.

Amberst to Plumsted & Franks. Hopes their measures for supplying Bouquet's troops with provisions will turn out to be as cheap as could be fallen on. Not to supply the provincials at the expense of the Crown. 336

August 5,
Edge Hill

Bouquet to Amberst. Could get no information at Ligonier, all the expresses being either killed or having returned; all the passes occupied by the Indians. Determined, therefore, to leave powder and stores, and proceed with troops and 340 horses loaded with flour. Had intended halting at Bushy Run, (a mile beyond) to pass the dangerous defile of Turtle Creek through the night, but was suddenly attacked. Details of the fight, and list of the casualties; 60 men killed and wounded, besides officers. Expects the action to begin again in the morning. Has sent this intimation that measures may be taken with the Province for their own safety and the relief of Fort Pitt. His doubts of the result of a fresh action. The assistance of Major Campbell and the coolness of the troops. 337

August 6,
Bushy Run.

Same to the same. Details of the second day at Edge Hill; the audacity of the Indians. Their defeat and flight. March to Bu-by Hill where the Indians again attacked but were repulsed. The difficulty of carrying the wounded. The good behaviour of the troops. 340

1763.
August 7,
New York.

Amherst to Bouquet. Expressing his surprise at the unaccountable behaviour of the Province of Pennsylvania. It is possible that could be the only difference. I would be glad to see the effects of their addresses and to see the manner in which the 42nd, 60th, 70th, 80th, 90th, 100th, 110th, 120th, 130th, 140th, 150th, 160th, 170th, 180th, 190th, 200th, 210th, 220th, 230th, 240th, 250th, 260th, 270th, 280th, 290th, 300th, 310th, 320th, 330th, 340th, 350th, 360th, 370th, 380th, 390th, 400th, 410th, 420th, 430th, 440th, 450th, 460th, 470th, 480th, 490th, 500th, 510th, 520th, 530th, 540th, 550th, 560th, 570th, 580th, 590th, 600th, 610th, 620th, 630th, 640th, 650th, 660th, 670th, 680th, 690th, 700th, 710th, 720th, 730th, 740th, 750th, 760th, 770th, 780th, 790th, 800th, 810th, 820th, 830th, 840th, 850th, 860th, 870th, 880th, 890th, 900th, 910th, 920th, 930th, 940th, 950th, 960th, 970th, 980th, 990th, 1000th.

August 7,
New York.

Same to Major Campbell. Allowing the value of the several years' allowances as usual. The payment will be made in full when the service permits.

August 7,
New York.

Same to Bouquet. Instructing him to purchase of provisions for filling up by sending the provisions inland by express to Fort America. Expressing hope on the part of the Province of the success of the sort at the carrying down above the mouth of the Delaware.

August 7,
New York.

Same to the same. Instructing the Provost of the fort and the Officers of each Regiment in Pennsylvania in the manner in which they may do so.

August 11,
Fort Pitt.

Bouquet to Amherst. Letter with high spirited expressions. The Delaware, Susquehanna, Watauga and English had advanced and they left to march against them. Bouquet had advanced and they wounded. The safety of the whole will be soon determined. The good spirit of the Indians will soon be made manifest. This letter will give information respecting the march of the word from Presq' Isle to Ligonier and the Indians in the country being declared enemies to the Province. Bouquet will be sent to Ligonier for the rest of the summer. Bouquet will be sent off at Bedford. Had the Province assisted him would have had the time to crush the Indians. More provisions wanted. Officers recommended for promotion.

August 11,
Fort Pitt.

Same to Col. Amherst. Promising that we had the fort and the Savages defeated. Expressing the case of Major Campbell. The operation, a son of Lieut. Dow, wounded and not yet recovered. His anxiety about his (Dow's) son (reduced from the 1st Batt.) should be relieved if possible.

August 26,
New York.

Amherst to Bouquet. Remarks on the actions of the Indians. Promotion of Lieut. Baileys and appointment of Mr. Peebles to be ensign in the 42nd. The intemperate obstinacy of those in power in Pennsylvania in refusing to exert themselves in the defence of the lives and property of the back settlers. Very different in Virginia, where 1000 men have been raised at once, one detachment of which (400) on the way to Fort Cumberland had routed a party of Indians. Has written to Col. Stephen (of Virginia) to employ his men on the communication for the security of Fort Pitt &c. Governor Sharpe has furnished the militia on the frontiers of Maryland with arms &c., and orders to act offensively against the Indians. Expects good news from the Detroit. See

August 26,
Fort Pitt.

Bouquet to Amherst. Return of Major Campbell and detachment from Ligonier with convoy, saw no savages. The sickness of the men caused by over fatigue prevents him from sending the 42nd and 77th to Presq' Isle. All the sick and wounded able to go are sent to Bedford.

1763. Discontent and desertion among the Royal Americana. The militia also think it hard to be detained and desert. Distribution of his force. Page 369
- August 27, **Fort Pitt.** www.libtool.com.cn Bouquet to Amherst. Arrival of an Indian with dispatches which he forwards. Attack on Major Rogers with 300 men by Indians; the repulse of the Indians. Indian village burned near Sandusky. The Delawares dejected at their defeat. The Shawanese returning from the Detroit; the Delawares preparing to join them. He (Bouquet) is sending off the Indian messenger to Presqu'Isle with letters for Gladwin. 300 good men would enable him to burn and destroy all the Delaware towns and clear the country of all that vermin. 371
- August 29, **New York.** Amherst to Lt. Governor Fauquier (Virginia.) With copy of letter to Col. Stephen and reference to Bouquet's rout of the Indians near Bushy Run. The Virginian volunteers should be employed in destroying the Shawanese settlements; he (Amherst) would try to spare a few men from Fort Pitt to join. Flatters himself that there will soon be favourable accounts from Detroit. 373
- August 31, **New York.** Same to Col. Stephen. Respecting the proposed attack on the Shawanese settlements. 375
- August 31, **New York.** Col. Amherst to Bouquet. Hopes his (Bouquet's) victory will lay the foundation for future peace. Will do every thing possible for Major Campbell. The family of an officer of such merit as Lieut. Dow shall never want the countenance and assistance of the General. 377
- August 31, **New York.** Amherst to the same. His satisfaction at the force under Bouquet having reached Fort Pitt, after defeating the Indians. He approves of his (Bouquet's) tactics on the second day's fight. Respecting promotions in the 42nd. Approves of the discharge of the rangers of whom he has a poor opinion. Orders given to forward provisions on Curry's demand. Orders to Stephen as to his movements against the Indians, with whom Bouquet is to concert measures. Will give Bassett leave on account of his health. He approves of Capt. Ecuyer's conduct. Gladwin instructed to have an eye to Preequ'Isle and to send troops to meet those from Fort Pitt, so as to act against Indian settlements in the neighbourhood. 379
- September 1, **Fort Pitt.** Proceedings of a Court of Inquiry held by order of Col. Bouquet to inquire why an Indian, named Andrew, did not proceed with a packet to Presqu'Isle. The defence states that it was owing to the reports of the blocking up of the roads by Indians, namely, Ottawas and Chippewas. 383
- September 7, **New York.** Amherst. Orders to the officer commanding the three companies of the 1-60th, ordered to South Carolina. 385
- September 7, **New York.** Same. Orders to the officer commanding the men late of the South Carolina independents, ordered to Pensacola, &c. 387
- No date. List of the officers, who form the first and second battalions of the Royal American Regiment, agreeably to the new establishment. 389
- September 7, **New York.** Return of the men of the 42nd and 77th Regiments already gone, and that are to go by the way of Niagara. 391
- September 7, **New York.** Return of the detachments of the 1-60th at Niagara, Detroit &c. 393
- September 7, **Fort Pitt.** Bouquet to Amherst. The Indian who brought Major Gladwin's packet sent back but returned. He is sent daily to bring reports of the enemy's movements. Indians in wait to cut off the grass guard from the fort. Wyandots reported 800 Western Indians at the Niagara carrying place to cut off all communication with the west. The Mingoes, Delawares and Shawanese collecting at Muskingum and the Heads of the Scioto, probably to cut off communication with Fort Pitt. 393

1763.
September 7,
New York. Amherst to Bouquet. Sending copies of the orders respecting the movements of troops, with explanatory remarks. Page 395
- September 7,
New York. Same to Governor Boone (S. Carolina). Respecting the disbandment of the three independent companies at South Carolina, to be replaced by three companies of the 1-60th. 399
- September 12,
New York. Same to Bouquet. To investigate the charge for provisions issued to the provincials and inhabitants at Fort Cumberland. 402
- September 15,
Fort Pitt. Bouquet to Amherst. Recapitulating contents of previous letters; he remonstrates on the early and general suppression of allowance for provisions during the present savage war, but will do his best to soften the discouragement of the soldiers on hearing of it. Is glad that the 1-60th is to be together again. The French garrison on the Ohio might be relieved from Fort Pitt. The unnatural obstinacy of the Government of Pennsylvania may draw on a lingering war. The Provinces of Virginia and Maryland have exerted themselves, but there is no law to compel their militia to leave the Provinces. So long as the few regular troops can keep the enemy at a distance, the Provinces will let them fight it out without interfering. 403
- September 18,
New York. Amherst to Bouquet. Returning Gladwin's papers. Can send no reinforcements. Is sorry the 42nd cannot go to Presqu'Isle this Fall. Does not doubt, with the assistance of Stephen, that he has been able to deal a blow at the Shawanese and Delawares. To employ the troops in what can most distress the Savages. Respecting the officers of the 42nd and 77th. Orders to the contractors respecting provisions; demand for medicines. 405
- September 19,
New York. Same to the same The 40 men of the 42nd and 77th gone from Albany to be made into a company, officered, and sent to Niagara via New York. Officers gone from Montreal to Niagara. Other movements. 408
- September 22,
New York. General Orders signed by Colonel William Amherst, Adjutant General, ordering stoppage for rations. 410
- September 25,
New York. Amherst to Bouquet. Does not think the Indians had remained long at Presqu'Isle. Loss of a vessel with troops between Niagara and that place, under Hope and Montresor, troops saved and relief sent. Indians on Bouquet's communication will try to destroy the cattle. Unless they can be kept safe they should slaughtered and salted. Five of the Six Nation tribes express firmness in our interest; the Canadian tribes offer to go against the hostile Western Indians, but he will put no trust in any of the race. Leave of absence refused to Croghan.—Regulations as to the stoppage for rations. 413
- September 30,
Fort Pitt. Bouquet to Amherst. Thanks for the promotion of Balwearis and continuance of the reduced officers in the service. Recovery of Capt. Ecuyer. Plan for attacking the Shawanese practicable, thinks it should be by land. Stephen a man of resolution; has urged him by various motives to undertake the duty. Has fixed on three companies for South Carolina. Has sent off Philipps with the men; they will require arms &c. Is relieved by the suspension of the order for stoppages in favour of the troops in Fort Pitt and Detroit Departments. Hopes some allowance will be thought just for men serving in America. The fate of Capt. Dalyell. "Shall we not soon obtain an adequate vengeance of these infernal wretches?" Trusts Gladwin will curb their pride and crush them. Has written to Read respecting provisions. 416
- October 3,
New York. Amherst to Bouquet. A convoy of waggons, under a sergeant and 28 men, besides two companies sent to their relief almost entirely cut off by Indians on the Niagara Carrying place. The mischief done and the enemy gone before troops arrived from Niagara. All the officers present were killed, six sergeants and 60 rank and file besides two servants. The

- 1763.
- Indians carried off all the horses; stripped the dead and carried off their clothing. Bouquet to be on his guard lest they dress up in the uniforms and so deceive him. Page 431
- October 6, Sir William Johnson to Amherst. Sends information from a Seneca chief of the Indian Confederacy for the destruction of the English. The Ottawas the chief instigators. The plan includes an attack on Fort Pitt and Augusta and subsequent march on Philadelphia. 434
- October 10, Amherst to Bouquet. Eight companies of the 42nd to winter between New Ybrk. Philadelphia and Pittsburgh; to fix them in the best quarters he can. Distribution of officers. 435
- October 11, General Order signed by Col W. Amherst, A. G., to reduce the New York. stoppage for rations to one half. 436
- October 16. Amherst to Bouquet. With extract from Sir W. Johnson (see p. 434). It is evident that the whole body of the Indians, except the Five Nations are concerned in the present insurrection. Their ammunition must soon give out. 437
- October 24, Bouquet to Amherst. Arrangements for the reduction of the 42nd and Fort Pitt. 77th. Orders sent to the 60th in South Carolina. The steadiness of the Five Nations and Canadian Indians is agreeable; the losses at Niagara &c. most unfortunate. The escorting provisions &c. made offensive operations impossible. No assistance from Pennsylvania and Maryland. Stephen has furnished 94 volunteers for escort duty, but will not help to attack the Delawares without a certain number of woodmen. Cannot employ regulars in the woods against savages. The attack against the Shawanese settlements requires a large force. Stephen can raise 1,000 men if the question whether the Crown or the Colony is to pay the expense is settled. If it is, November is the best month for the attack. The remains of the militia being naked are going down. He recommends them for an allowance of pay. The small number of Royal Americans remaining makes it necessary to employ the 42nd as a garrison. Proposed distribution of troops. 438
- October 27, Amherst to Bouquet. Has arranged with Sir William Johnson at New York. Albany to try to keep the Five Nations quiet till the season arrive for operations into the heart of the enemy's settlements. Movements of officers. Has written Governor Boone to order arms, &c., to complete the companies, from those belonging to the independents till they can be replaced. Ourry setting out with a convoy of provisions for Fort Pitt; Indians infesting the communication. Stephen offers a respectable force when he hears from the Lieut. Governor. It is too late this season, but when the winter is over, he (Amherst) trusts they shall be able to put in execution a proper plan for taking ample vengeance on the barbarians. Arrangements for winter quarters. Respecting Lieut. Potts. 439
- November 10, Bouquet to Amherst. Thanks for replacing the battalion's subsistence Fort Pitt. money. Arrangements for garrisoning Fort Pitt. Exchange of officers. The combination of all the Indians may prolong the war, but can make little alteration in the event, if the Provinces exert themselves. The uselessness of the information furnished by pretended Indian friends. 440
- November 12, General order appointing Capt. Robert Gray, of the 55th, to be New York. Amherst's aide-de-camp in room of Dalyell. 441
- December 1, Bouquet to Amherst. The favourable turn at Detroit reported by Fort Pitt. Gladwin. The posts on the Illinois transferred by the French will, he supposes, be taken possession of from below. Scanty supply of provisions received on account of bad roads, &c. Arrangements for winter quarters. The desertions in the Royal Americans and precarious state of the fort has obliged him to keep three companies of the 42nd. 443

GOVERNMENT INSTRUCTIONS TO GENERAL AMHERST—1763.

A. 5.

B. 21,635.

1763. May 20, London.	George III to General Amherst. Draughts to be made to complete regiments for service in North America, to be taken from those ordered to be reduced.	Page 6
July 18, London.	The same to the same. Orders for the reduction of the troops in North America, with plan of 42nd after reduction.	1
August 7, New York.	General Amherst to Colonel Bouquet. Relative to the reduction of the 42nd and 77th Regiments.	8
September 22, New York.	Adjutant General Amherst to the same. Regulations to be observed respecting stoppages for rations (with form of account at page 14).	11
October 11, New York.	The same to the same. Lessening the amount of stoppages for rations.	15
November 15, New York.	General Amherst. Captain Gray appointed aide-de-camp.	16
November 17, New York.	General Amherst. That he returns to England, and is succeeded by General Gage.	16

LETTERS FROM GENERAL GAGE 1763-1765.

A. 6.

B. M., 21,636.

The contents of this volume are calendared in Volume A 8; B. M., 21638.

LETTERS TO GENERAL GAGE—1763-1765.

A. 7.

B.M., 21,637.

1763. October 24, Fort Pitt.	H. Bouquet to General Gage. Reduction of the 42nd and 77th. New and old rolls transmitted. Orders respecting provisions, &c., acted on. The good conduct of the Five Nation and Canadian Indians it is hoped may continue. Accidents and hindrances; not yet sufficiently provisioned; no help from the Provinces. Regulars cannot be employed in the woods against savages. Attack proposed on the Shawanese settlement; its difficulties. Col. Stephen can raise 1,000 men for the expedition. Who is to bear the expense? The destitute condition of the Militia. The 42nd must form the garrison. Proposed distribution of troops.	Page 2
November 10, Fort Pitt.	Same to the same. Thanks for the King's authority to replace the stolen subsistence money. Exchange of officers; claims of company to be first settled. A duty Major wanted; also field officer for 42nd. The combination of Indians will be defeated, if the Provinces exert themselves. The untrustworthiness of Indian news.	7
December 1, Fort Pitt.	Same to the same. Change for the better in Indian affairs at Detroit. The Illinois posts most easily taken from below. Arrival of convoy, detention by bad roads; scarcity of supplies. Distribution of troops.	8
December 27, Fort Pitt.	Same to the same. Congratulations on the General's appointment to the chief command. Proposed operations in Spring, if no peace with Indians. Repairs to forts; posts supplied. The only way to secure peace with the Indians is by sufficient force. The charges against two officers of the 60th and 77th; will have them confined.	10
1764. February 4, Fort Bedford.	Same to the same. Dispatches forwarded to Major Gladwin. Approbation of the services of troops transmitted. Repairs finished at Fort Pitt. More provisions going forward. Is going to New York. The	

1764. d'stressed situation of the three companies relieved from Niagara. Delawares and Shawanese to be punished. Senecas deserve the same. Page 11
- March 1, Bouquet to Gen. Gage. Memorial to have accounts for the last campaign settled. 12
Bedford.
- March 5, Same to Plumsted & Franks. All accounts for the last campaign in the southern district to be called in and settled. 13
Bedford.
- March 7, Same to the same. Further respecting the settlement of accounts. 15
- March 8, Same to General Gage. Convoy ready to go to Fort Pitt, detained by snow. Fresh attacks by Indians; will not send the convoy till further orders, but recommends it to be sent should Governor Penn lend two companies of Provincial troops. 16
- March 8, Same to Governor Penn. Indian attacks; asks for provincial troops to go with convoy. If not, three companies of Royal Americans to be sent from Philadelphia. Six Nation Indians returned with 41 Delaware prisoners. 17
Bedford.
- April 15, Same to Gage. Convoy met near Fort Pitt. Accounts settled. Indians at Philadelphia to be subsisted on an island under guard. 18
Lancaster.
- April 21, Same to the same. Accounts received and will be settled. Convoy safely delivered. Horses returned. Will settle with militia at Fort Pitt. 19
Carlisle.
- May 2, Same to the same. Guard left at Philadelphia to show that Indians are under the General's protection. Peace with the Senecas. Proposed terms for the Delawares, Shawanese, Wyandots and Mingoes. Not yet aware of troops to be sent from Virginia, Maryland and Pennsylvania. Is ready to march when that is known. Proposed arrangements for Bradstreet's operations. Regulation for the issue of provisions. Will regulate the department on his return to Philadelphia. Settlement of Captain Ourry's accounts. All accounts carefully examined. 19
Carlisle.
- May 5, Same to the same. Royal American Regiment to be returned on new establishment. Proposed exchange in adjutancy. 23
Carlisle.
- May 20, Same to the same. Indifference of Virginia and Maryland as to the success of the war. Pennsylvania to provide 1000 men besides 300 for the frontier, but cannot estimate the delay. Plans of defences of posts against savages; difficulties in the way. The title of Pennsylvania and Virginia to the soil. All grants westward of the Alleghany should be annulled, and Military Government formed. Great desertion among the Royal Americans; its cause. Respecting leave of absence. 27
Philadelphia.
- May 31, Same to no address (Bradstreet?). Asking his sentiments concerning the operations against Ohio Indians; the number of troops necessary, &c. The difficulties of transport; table of distances. Persons wanted to command the Indians as guides. Badge to be worn by friendly Indians. 31
Philadelphia.
- May 27, Same to General Gage. Exchange of adjutancy accepted. Movements of officers. Will have the accounts for the last campaign finally settled. Contractors' arrangements for next campaign. Raising men. Want of bateaux. The state of navigation in the Ohio. Bad effects of Indian success. Estimate for bateaux. 24
Philadelphia.
- May 31, Same to the same. Bill for £55,000 assented to in order to complete provincial troops to 1000 men. Arrears of pay due. Delays in moving will give time to raise the additional men. Too late for navigation of the Ohio and smaller rivers. Proposes two methods of annoying the enemy. A previous attack to be made on the Delawares and Shawanese. Peace to be offered. 28.
Philadelphia.

1764.
June 7, Philadelphia. Bouquet to Gen. Gage. Terms of provision contract. Arrangements for transport, Pennsylvanian troops for frontier defence. Blood hounds against Indians. How the troops have been paid; recalling deserters; wants officers for trial of prisoners &c. Page 34
- June 9, Philadelphia. Same to the same. Lists and returns of officers and men of the Royal American Regiment, with reduced officers and dates to which they did duty. 37
- June 12, Philadelphia. Same to the same. Murders by Indians. Fort Cumberland garrisoned. Application by Mr. Jenkins for allowance whilst prisoner. 39
- June 15, Philadelphia. Same to the same. Cannot proceed on new provision contract till officially authorised. Fresh meat must be supplied, owing to want of transport for pork. To avoid delay asks for a D. Q. M. General to procure transport. 40
- June 20, Philadelphia. Same to the same. Delays caused by provincial troops have caused loss of cooperation with Bradstreet. Difficulty of marching beyond the Ohio in summer; October a good time to act. Volunteers from Virginia. The large number of pack horses needed; must be divided; his arrangements. Contractors' accounts and new contract. Amnesty for deserters. Brevet majorities asked for Captains during the campaign. Survey ordered on clothing of 55th. 41
- June 23, Philadelphia. Same to the same. Letters received. Orders concerning contracts will be attended to. 46
- July 3, Philadelphia. Same to the same. Expected arrival of Col. Robertson and Captain Ourry; state of the latter's accounts. Disappointment at want of Indian guides. The Indian accounts. Survey on clothing of the 55th. Brevets for Majors. Provincial troops to assemble at Lancaster. Desertions continue. 52
- July 15, Philadelphia. Same to the same. Postage regulations, and those for carrying baggage, &c. Regimental accounts &c. Rules regarding provisions for the troops. Sir W. Johnson gone to Niagara to deal with Indians; he believes the hostile Indians to be very strong. Necessity for a Q. M. G. to superintend transport, &c. Only two months provisions can be carried at once. Contract fixed for provisions; difficulties with Plumsted about his contract. Impossible to prevent irregularities in a wild country. 54
- July 24, Philadelphia. Same to the same. Lt. Menzies of 42nd desires to serve on half pay on the chance of a vacancy. If Indians sent, nothing more required for the campaign. State of preparation of the troops. 61
- July 26, Lancaster. Same to the same. Application for half pay; troops not yet clothed. 64
- July 26, Lancaster. Same to the same. Lt. Gorrell sentenced to pay damages for arresting a deserter; he seeks relief. 64
- August 10, Carlisle. Same to the same. Desertion from provincial troops; has written to raise men in Virginia. The obstructive conduct of Col. Stephen. Cannot meet Col. Lewis at the Kanawa. Money sent to raise the 200 men in Virginia. Deserters in gaol. 62
- August 15, Ft. Loudoun. Same to the same. Exchange of officers. Convoy gone off to Fort Pitt; hopes to follow in 12 days. Expedition should be ready to leave Pittsburg on 1st October. Commissions issued to raise volunteers. Indians hovering about. Court Martial. Ruinous state of the fort. 65
- August 27, Ft. Loudoun. Same to Governor Penn. Hopes that Bradstreet's peace with the Indians will not be confirmed. Is taking no notice of it. 66
- August 27, Ft. Loudoun. Same to Gage. Is astonished at the terms granted by Bradstreet to the Indians between Lake Erie and the Ohio; their atrocities and perfidies. Will take no notice of the peace. The greatest indignation felt every where. 67

- 1764.
- September 5, Fort Bedford. Bouquet to Col. Bradstreet. Letter respecting peace with the Indians. The letter appears to have been cancelled. Page 69
- September 5, Fort Bedford. Same to Col. Reid. With extract of letter from General Gage respecting Indian peace. Is sending orders to Bradstreet. 70
- September 5, Fort Bedford. Same to Col. Bradstreet. The hasty peace with the Indians between Lake Erie and the Ohio; their continued atrocities. Arrangement for expedition against them. 71
- September 5, Fort Bedford. Same to General Gage. Respecting the peace entered into by Bradstreet, and continued Indian atrocities. Convoy not yet arrived. Continued desertion among provincials. Volunteers from Virginia will be at Fort Cumberland. Punishment of deserters. 73
- September 12, Ft. Ligonier. Same to the same. Will forward dispatches to Col. Bradstreet. Report of treaty got abroad; volunteers from Pennsylvania refusing to come forward. Will keep resolutions quiet till he is ready to attack the savages. Bradstreet to march on Sciota. 74
- September 12, Ft. Ligonier. Same to Col. Bradstreet. Gen. Gage refuses to ratify the treaty with the Indians, they must submit to terms and sue for peace. They are to be attacked at once. A party of Indians wanted with a few white men, or else a party of Canadians. The General's intentions kept secret. 75
- September 12, Ft. Ligonier. Same to the same. Open letter to be read to the Indians if McKee is intercepted by them. 79
- September 13, Ft. Ligonier. Same to Col. Reid. Will leave immediately for Pittsburg. Convoys coming up. Indian treaty disavowed; the Indians must submit. Dispatches to Bradstreet must be sent off at once. 78
- September 16, Bushy Run. Same to Gen. Gage. New crimes of the Indians. Failure of attempt to send dispatches to Bradstreet; no help to be expected from him; will be at Fort Pitt on the 18th. No Indians from Johnson. 79
- September 26, Ft. Pitt. Same to the same. Arrival of convoys, under Capts Ourry and Hay. Arrival of Delaware Indians. Attempts to bring them to the fort futile, and they went off. Bradstreet's movements; has made peace with the Ottawas. He (Bouquet) in a condition to reduce the Indians. Asks further instructions as to dealing with the promoters of the war, if given up, and as to taking possession of forts. Can do without Indian assistance. Deserters shot as an example. 80
- October 21, Tuscarawas. Same to the same. Arrival after delays by bad roads &c., but without molestation. Submission of the Delawares, and delivery of their prisoners. No answer yet from Bradstreet. Indians received powder from the French. No letter from DeNeyons. Regimental changes. Maryland volunteers coming in. 84
- October 21, Tuscarawas. Same to Sir William Johnson. Delivery of prisoners by Indians. Difficulty of dealing with them. Offer of the Senecas and a tribe of Delawares to join the Six Nations. No answer from Bradstreet. 88
- November 15, Muskingum. Same to General Gage. His dealing with the Indians. Terms of submission of various tribes; the delivery of prisoners. Ammunition supplied by the French. News from Bradstreet of his retreat to Niagara. Acknowledgment of the services of officers. Trials of deserters &c. 89
- November 15, Muskingum. Same to Sir William Johnson. Submission of Indians and terms; delivery of prisoners. French supplying ammunition to Indians. Deputies to go to Sir William. The Mingoos must be recalled; their bad character. 94
- November 30, Fort Pitt. Same to the same. Distribution of troops, released prisoners &c. Doings of the Indians; thefts by Mingoos. The bad feeling of the distant tribes. Cannot root out French influence except by a sufficient display of force. Proposed expedition down the Mississippi; its prospect of

1764.

success; the difficulties. Connivance of the French. Provisions plentiful. Urges that Virginia should pay for her Volunteers. The complaints of the foreign officers and their grievances; the regulations fall heavy on him and Colonel Haldimand. Page 96

- December 3, Bouquet to General Gage. Shawanese struck with a panic have fled. Delawares angry at it but believe they will fulfil conditions. 104
Fort Pitt.
- December 20, Same to Governor Sharpe. Representing the conduct of the Maryland Onegoche- Volunteers in murdering and scalping an Indian. 109
ague.
- December 22, Same to General Gage. Measures regarding Pontiac. Change Fort Loudoun of Indian administration. Murder of an Indian by Maryland Volunteers. The licentiousness of the frontier inhabitants must be checked. Has sent off word of peace to Virginia, Maryland and Pennsylvania. Arrival of a party of Six Nations. Accounts. Royal Americans at Lancaster. 107
- No date. No name. Scheme for defending the Colonies in North America against the invasion of the French. 140
1765.
January 5, Bouquet to General Gage. Movements of detachments. Negotia- Philadelphia. tions for the possession of the Illinois; recommends Croghan as the most suitable to negotiate. Expecting an answer respecting the pay of volunteers from Virginia. The communication by James River. 111
- February 6, Same to Governor and Commissioners of Pennsylvania. Statement as Philadelphia. to raising Volunteers in Virginia to replace deserters from Pennsylvania. Refusal of Virginia to pay for them. With memorial in detail. 118
- February 12, Same to General Gage. Peaceable conduct of the Indians; fears that Philadelphia? two have been killed by frontier hunters. Refusal of Virginia to pay volunteers; trusts that Pennsylvania will deal better. Accounts. He is under no engagement to volunteers from Maryland and Pennsylvania. Lists of documents sent. 113
- February 17, Same to the same. With list of vouchers and papers. Philadelphia. 117
- February 22, Same to the same. Respecting Indian affairs. The silence of Croghan Philadelphia. another evidence of the independence of subalterns which will have a bad effect. 123
- February 26, Same to the same. Movements of officers. Philadelphia. 122
- March 4, Same to the same. Is transmitting orders received. Peaceful assu- Philadelphia. rances of the Shawanese; arrival of Delawares at Sir W. Johnson's. Penn- sylvania has paid the Virginian volunteers. Thanks for being removed from his present command. Estimate of contingent expenses, repairs of forts, &c. 123
- March 6, Same to the same. Sending orders, returns, &c. Philadelphia. 126
- March 16, Same to the same. Outrages by frontier men reported to Governor Philadelphia. Penn. Want of artificers at Fort Pitt. Difficulty of access to Fort Pitt, owing to want of intermediate posts. 127
- March 20, Same to the same. Indian deputies expected at Fort Pitt; the seditious Philadelphia. disposition of the frontier men. 128
- March 29, Same to the same. Investigation into the purchase of Indian goods Philadelphia. by Mr. Croghan. Col. Reid to succeed him (Bouquet) in command of the troops. Contingent account, vouchers, &c. 129
- April 5, 1764, Same to the same. States the expense attending the Southern Philadelphia. (5?) New command; requests allowance adequate thereto. 126
York.
- April 10, Same to the same. Royal artillery and stores to be delivered at Fort New York. Augusta. No more provisions to be sent to that post. Six companies to be withdrawn. Will forward depositions relative to Indian goods, and as to Croghan's transactions. Captain Barnaley's accounts. 132

1765.
 April 17, Philadelphia. Bouquet to Gen. Gage. Thanks for promotion and for the removal of the barrier to the promotion of other foreign officers. Page 134
- May 19, Philadelphia. Letter from Rutherford regarding outrages by frontier men of Pennsylvania and Maryland, and invasion of Indian territory. 135
- May 22, Philadelphia. Same to the same. Will obey instructions; military contingencies for Florida. The difficulty of drawing on the Treasury by the present conditions. Indians have complied with terms of peace. 135
- June 4, Philadelphia. Same to the same. Distracted state of West Florida. Want of a paymaster leads to great expense. The negotiations for possession of the Illinois must be conducted prudently. 137
- June 13, Philadelphia. Same to the same. The prosecution against Major Farmer. Want of activity in Captain Small as Brigade Major for the Southern district. The Iberville not cleared and repairs wanted at Pensacola. 138

CORRESPONDENCE WITH GENERALS STANWIX, GAGE, MONCKTON, &c.

1759-1765.

A. 8.

B.M., 21, 638.

1759.
 March 5,
 New York.

Brigadier Stanwix to Bouquet, Philadelphia. Can conceive the disagreeable nature of last summer's work. The Quarter Master General, Brigadier Monckton and Colonel Young will settle the rest. Has no objection to Harding and Leinder going out, if good men come in their room. General Amherst leaves all these things to go by seniority, the companies being offered to the senior lieutenant-captains, and so on downwards. There are more companies to be sold than purchasers to be found in young regiments. Leinder and Harding sent to Maryland, Virginia or the lower country, to try their hands at recruiting. The necessity of them (Stanwix and Bouquet) making a junction. Amherst understands this, but will make no change till final orders are received from England. His own fate uncertain; will either go home or have a separate command here. Page 1

March 15,
 New York.

Same to the same. Hopes to see him at Philadelphia in a few days. Monckton is ordered up the St. Lawrence under Wolfe, who is made Major General for war expeditions only. Murray, Burton and Townsend, brigadiers for the expedition only. The King's troops will be ordered this way; his four companies to join the six, and Montgomery's Regiment also. The King will not allow him (Stanwix) to leave, so he must be content. His command will probably be on the Mohawk. 3

April 26,
 Yorktown.

Bouquet to Stanwix. (No address but begins. "Dear General.") Had received the four companies on arrival; in better order than he expected, but in want of tailors and gun makers to repair their clothing and arms. Shall discharge the men totally unfit for service and retain invalids fit for garrison duty. Arrival of Lieut. Blane and party; the others left sick at Ligonier. Bad news from the frontier; the magazines empty, the roads spoiled and the bridges carried away by the last flood. The enemy have appeared on the communication, have killed and scalped 11 sick going to Bedford, and taken a prisoner at Ligonier where Lloyd and Mackenzie do not agree well. The 300 Virginians were not marched, which will be no disappointment; has written to their Colonel to repair the worst parts of the road and to make a new bridge. Has written to Hoops to contract for waggons to carry provisions to Ligonier. It will be difficult to get 20 waggons, the people being in bad humour; he had addressed them at the Court House and pacified them by explain-

1759.

ing that immediate payment of their accounts would be made. It may be necessary to buy pack and waggon horses to send provisions to Ligonier and Pittsburg. The progress of recruiting; 50 or 60 men might be raised in Maryland. Four officers of Maryland remain at Cumberland, where they came with 200 men, who are nearly all gone; they can be of no further use as the province does not seem disposed to pay them.

Page 4

Advertisement for waggons for Ligonier.

May 1,
Philadelphia.

Stanwix to Bouquet. He is to act as Deputy Adjutant-General for the campaign, and be obliged to take the entire Department of the Deputy Quarter Master General, who is employed settling the arrears of the campaign of Forbes. The difficulties of the duties make it necessary he should be allowed a clerk, who shall be charged for in the accounts. 3

May 18,
Philadelphia.

Same to the same. Respecting arrangements for waggons for provisions to Ligonier. Is glad that a brigade goes up next week as a beginning. The change in the disposition of the people is only what he expected from his (Bouquet's) temper, conduct and good sense. Approves of his going to York Town and afterwards to Reading. Respecting the transport of provisions and the supply of flour, forage, &c. He (Stanwix) has contracted for 1000 horses to be stationed at Bedford. Has arranged for provisions and forage for Bedford from the borders of Virginia and Maryland. 9

May 20,
Lancaster.

Bouquet to Stanwix. Gratification at the good opinion of him by Stanwix. Has succeeded at York (York Town) in getting at least 50 waggons, which shall begin to move in 10 or 12 days. Stevenson has agreed to manage the transport, going direct to Bedford which will save roads, forage and time. Advertisements wanted for the counties of York, Berks and Cumberland, 200 for each county. Mr. Allen spoke to the people from the bench and recommended the service in the strongest terms. Will be to-night at Reading; will meet the chief men, and hopes to settle with them and be at Philadelphia on Wednesday. Forage will be scarce till after harvest; has collected 6,000 bushels and continues buying. Captain Hambright has executed well the duty of purchasing horses in which he has been employed. The price averages £14. Hambright says he can provide drivers and procure 230 horses within a fortnight, but they must wait till the money can be raised as the horses must be paid for in ready cash. Preparations for getting waggons, harness, &c. 12

Calculation of the transport required, (horses, waggons, etc.), to carry provisions, forage, etc., to Bedford. 15

Memo on the same subject to Stevenson. 17

July 23,
Chambers'
Mill.

Stanwix to Colonel Byrd. Had received his letter from Bedford of 21st July. The last letter sent by him (Stanwix) was lost, the express being taken by the Indians. On arrival at Ligonier, he is to send 400 of his regiment to repair the roads from there to Fort Bedford. The importance of the work; how tools are to be got. The garrison to be reduced at Pittsburg so that a magazine may be formed there and at least a month's provisions for 1,000 men. After that Gordon with an escort of 450 men could march with a large convoy from Ligonier to begin the work at Pittsburg. The communication with the Monongahela must be laid aside for the present, and the rest of the men and artificers are to join the convoy at Bedford. 21

August 23,
Fort Bedford.

Bouquet to Stanwix. Had succeeded in getting 16 waggons to Ligonier and 23 to Pittsburg. They set out with the rest of Gordon's stores except the load. The King's horses could not be shod in time, but they will go tomorrow with 50 waggons. There are 33 waggons

1759.

coming with forage from Carlisle, on which he would try his rhetoric and the winning influence of the dollars. Has contracted with Ramsay to send 1,000 barrels of flour or 50,000 pounds on or before the beginning of October, and the same amount every fortnight, under the penalty of £1,000 sterling; has advanced him £1,000 Virginian currency. Has also contracted with Graham, another merchant, to deliver 600 bushels of salt at the same place. The saving in transport, etc., by these two contracts. Burd with upwards of 100 men will try to open the road from the Great Meadows and to build store houses, etc., on the Monongahela; has supplied him with provisions &c.; head carpenters to be sent from Pittsburgh to direct the work. Has paid the Catawbas. Sends saddle bags with silver Indian trinkets. Page 24

August 23,
Ligonier.

Stanwix to Bouquet. Has arrived last night; expects the baggage waggons to-day. Sends 20 waggons to Bedford under escort of Captain Robinson's Highlanders, to assist in sending them back loaded. He expects 68 waggons from Pittsburgh. What cannot be loaded here back to Pittsburgh shall be sent to be loaded at Bedford and this is to be the general rule. Other details on the subject of transport, &c. Major Stewart has done wonders to the road so far as he has gone. He was left at the Shades of Death, which infamous road it is hoped he will mend well. Byrd is to open the road from this to Laurel Hill; the Pennsylvanians to mend from this to Pittsburgh. 27

August 24,
Fort Ligonier.

Same to the same. Is glad he has prevailed to get 16 waggons to come here and 23 to go through to Pittsburgh. Approves of his contract with Ramsay, to forward the formation of a magazine at Pittsburgh, on which the whole depends. Respecting money. The saddle bags with trinkets received; will not open them till he gets to Pittsburgh. 23

September 1,
Fort Bedford.

Same to the same. Letters received. The salt is on the road to Winchester from Red Stone Creek. The 200 pack horses from Virginia with flour arrived at Fort Cumberland. Byrd sends 68 to him (Bouquet); the rest are to load forage for Pittsburgh. Almost a total stagnation of waggons since he (Bouquet) left; scarcely enough arriving to keep the stores full and feed the horses beyond the mountain; 400 pack horses are gone to Ligonier. Many horses unfit to work are sent to pasture. Captain Hambright is coming with 30 new waggons loaded with forage for Pittsburgh. The 500 new pack horses daily expected. If half that promised from Philadelphia is received it will be well. Roads finished to Ligonier. Supplies of flour at Pittsburgh. Captain Gordon's stores being gone, the carriages will be left for flour and forage. Liquor and salt gone up. He (Bouquet) should be able to feed 3,000 men including Indians at Pittsburgh. Will come himself after Hambright's arrival. Is pestered with 16 Catawbas come on Girt's invitation; Mercer ordered to send them back as cheaply as possible. Mercer states that gold and silver would purchase in Virginia double what would be done with paper currency. Suggests that the Monongahela should be reconnoitred a little above the mouth of Red River Creek. 29

September 2,
Pittsburgh.

Same to the same. Has enough to feed 300 more men than he has. He has ordered Byrd to march up 300 of his Virginian regiment. Gordon having received tools, calls for more men than he can give, he (Bouquet) is to send up 300 or 400 of the first and second battalions of Pennsylvanian regiment to Ligonier. Stevens to march here with the rest of the Virginian regiment. Another convy expected from Virginia, which will put them beyond fear of starving. 32

September 7,
Fort Bedford.

Bouquet to Stanwix. The first battalion of Pennsylvania will march to-morrow for Ligonier. The second has gone to Red Stone Creek, part being left at Cumberland to escort the pack horses, &c., from Virginia.

1759.

Men ordered to keep up roads, &c. Forage coming in fast; 200 horses will carry 1,200 bushels to Ligonier; the continued rains have prevented the waggons from starting; they go to day. Hambright has engaged 80 good drivers and sent 50 before his brigade who will take better care of the horses than the villains draughted from the new levies. Has sent 100 large beeves to Ligonier since he (Stanwix) left; 100 more go tomorrow, and 100 weekly unless the Indians kill or steal them. It would be a good time to kill at Pittsburgh in November for winter stock. The station from Ligonier to Pittsburgh being too long, suggests to place 50 rangers at the four redoubts. An idle report that 30 Indians were seen near Ligonier. Page 33

September 8, Pittsburgh. Stanwix to Bouquet. Is glad he got the order for the £1000 and that salt is on the way from Winchester to Red River Creek; there are more boats than are needed to carry it forward. Gordon preparing to build six large bateaux. Respecting the supply of provisions and forage. The 215 beeves from Cumberland are very small, not equal to those from the other way. Indians and Indian presents. Shelby surveying the road to Ligonier; how the work is to be done. Ground broken for the fort on the 3rd; slow progress owing to the demand for other services. If the project at Red Stone Creek succeed, he has no doubt a good magazine can be formed here. Amherst's letter stated the reduction of Niagara, and that the French were burning and retiring from Crown Point. Wishes that such disposition of the troops were made for Bedford and Ligonier that those at Bedford should make good all escorts to Pittsburgh, so that the work could be carried on there without the troops being taken off for escort, &c. 35

September 11, Fort Bedford. Bouquet to Stanwix. He may be easy respecting stores for the future. Forage coming from all quarters; the quantities sent off. Details of provisions, &c. Mercer has been successful on the frontiers of Virginia and Maryland; if the river prove navigable there will be no want. Arrangements for escort duty. Tools wanted for Armstrong to repair the road. Good news expected from below. Money wanted, &c. 39

September 12, Bedford. Same to the same. It is lucky a door was opened in Virginia and Maryland, as Pennsylvania has almost abandoned them. List showing how little the counties of that Province will do, but yet he can feed 3,000 men at Pittsburgh for three months and lay in six months provisions for 1,000 men. Details on this point, &c. 43

September 12, Bedford. Same to Stephen. (?) Is doing all he can to help him in executing orders, but being shamefully abandoned by Pennsylvania, he has been obliged to open new channels by which provision, &c., begin to flow in. Respecting stores, tools, &c. 45

September 13, Pittsburgh. Stanwix to Colonel Armstrong. That he will be satisfied with the decision come to by him and Bouquet. 47

September 13, Pittsburgh. Same to Bouquet. Gives details of the arrangements he has made for making and repairing the roads; preparing salt provisions, &c. Indians quiet. 48

September 16, Fort Bedford. Bouquet to Stanwix. Has no return of the troops at Pittsburgh; hopes to get it to judge of the consumption. Account of forage sent and to be sent to Ligonier, with flour, &c. Shovels and spades shall be forwarded. Men ordered to repair the road to the three redoubts; thinks 150 or 200 men would be enough at Ligonier. Armstrong could work at the roads from the three redoubts till he meets Shelby. If some one acquainted with the blazes were sent to direct, the road could be cut in half the time. Hogs can easily be got when orders are given for winter garrisons. Supplies of forage daily arriving. Delays of supplies from Virginia, as it takes time to advertise and get the people in motion, but Mercer writes he has had good success, waiting only for money;

1759.

how that might be sent. Other money required for waggons, forage, &c. Page 51

September 16, Bedford. Bouquet to Stanwix and Barron. Details of money wanted. 54

September 16, Bedford. Stanwix to Bouquet. Had wished Patterson to go on a scout with an Indian or two, but as he was disappointed of the white men, he (Patterson) is to come to Pittsburgh. The returns show that he (Stanwix) has only 300 or 400 barrels of flour and Stevens has as yet but little flour at Ligonier, but has no doubt he (Bouquet) can send a plentiful supply till that from Virginia is at Redstone Creek. Respecting the care of salt provisions. Money will be sent by Barron, but as the £1,000 in gold cannot be sent to Virginia, the Virginians must be obliged to deal in their own paper. Commissaries for Bedford and Cumberland; that fort must be repaired. Will leave as many troops at Bedford as can be covered and fed; bedding wanted. Hopes Red Stone Creek will be made a good communication. Money sent (about £10,000 currency). If there are not troops enough for escort at Ligonier he may call for men of the third battalion, as he hopes in future to hear of few Indians near the settlement. The men of the first battalion Royal Americans to be sent up; great want of tents. Promotions in that battalion. 55

September 19, Winchester. Lieut. Colonel Mercer to Stanwix. Has reported his proceedings to Bouquet as ordered. The damage done to the pack horses by the badly made saddles. Two merchants of this town have sent one Cunningham as their factor with Indian goods. It is a new trade, and on the report depends the settlement of the question of many others going out. Money wanted for various services given in detail. So often has the public faith been broken that the people will not deal with him except on his own personal engagement. Rutherford is left without money and he (Mercer) has to keep up his credit. The neglect to send money hurts the service. Bouquet has ordered a supply of money to Rutherford, but he has none and would have been obliged to let a man go who wanted half a crown had he not assisted him. 58

September 19, Pittsburgh. Stanwix to Bouquet. The state of flour still very low. Instructions to Armstrong about roads are right. Hopes to keep at least 600 or 700 men in Pittsburgh for the winter. Timber for barrels to be cut. Morton's illness; hopes with the assistance sent him he may be able to carry on the service till Hambricht arrives. Money sent and arrangements respecting bills &c. Sends Byrd's letter from Girt's plantation; will send what he wants up the Monongahela if there be water, &c. 61

September 21, Bedford. Bouquet to Stanwix. Memorandum of money received and how disposed of; note of money still wanted. Delays of Hambricht's brigade; it was expected at Carlisle on the 17th and must be on the way to Bedford. Has also been disappointed with the Virginian pack horses; they left their loads for the garrison at Cumberland, the contractors having neglected to send provisions to that post. Reports the state of the supply of waggons, &c. Has had no return of the number of people requiring provisions at Pittsburgh, so does not know the number of carriages wanted for supplying the garrison; he (Stanwix) may be sure of meat and flour for 3,000. How provisions are sent, &c. 63

September 24, Pittsburgh. Stanwix to Bouquet. Note of money sent. Is sorry for Hambricht's delay. The contractors should supply Cumberland, but they must still depend on them (Bouquet and Stanwix). Is in hopes from Bouquet's calculations they can subsist this campaign and lay in a magazine for six months for 1,000 men. Major Gates has sent a return of the present eaters (the number consuming provisions at Pittsburgh); 100 good workers have been besides ordered from Ligonier; hopes to have cap-

1759.

tains Hubbert and Shelby here after the roads are mended which should be about the beginning of October. Amherst still thinks Niagara can be garrisoned from Pittsburgh. Sir William Johnson says these were Prideaux' orders, but says nothing of sending bateaux to carry the troops from Presqu'Isle. Has written that it is impossible to carry out the order, without water, horses or bateaux from Niagara. Page 66

September 28,
Bedford.

Bouquet to Stanwix. Memorandum respecting money. His calculations as to provisions. Directions to Colonel Armstrong should be sent by Stanwix direct, that men are to be brought to Pittsburgh. Respecting pack horses, their employment, &c. The winter sets in earlier and the grass dies sooner by a fortnight or three weeks between the mountains than on the west of Laurel Hill, which will then be impracticable for pack horses; they will then be employed from Ligonier to Pittsburgh. Stores full of every thing. Hambright arrived; his pack horses and waggons shall be loaded and then he (Bouquet) shall proceed to Ligonier for a couple of days, to put things in a regular way for the campaign and then go to Pittsburgh. The foundations of the fortifications being laid, the work will grow apace. The eternal pack horses from Winchester are at last on the road. 68

October 2,
Bedford.

Same to the same. Has forwarded letters; money received. Suggests the propriety of forming a magazine of forage for the horses that will be required next Spring at the fortifications. Hambright's brigade moves to-morrow; a great deal of flour can now be sent to Pittsburgh. Hoops has been deficient with the cattle; has ordered 200 calves to be sent from Virginia to Pittsburgh; half are already in motion. If he must go to Niagara (which he does not think practicable) he has the satisfaction of knowing that he leaves the department in the best way that could be expected. He will be at Ligonier on the 5th. 71

October 3,
Pittsburgh.

Stanwix to Bouquet. Letters acknowledged. Has had 100 men from Armstrong to add to the working party, and has ordered him to send 100 more. Has now only a fortnight's flour; 22 waggons arrived from Ligonier with only 33 barrels; has no doubt he (Bouquet) will hurry more forward. Wants as many men as he can feed, &c. 73

October 7,
Pittsburgh.

Same to the same. Remarks on contents of letters received. Has had two parties from Presqu'Isle of the regiments at Niagara, the one with a letter from Colonel Fauquier that he was not to relieve Niagara, and the other stating that Amherst expected him to relieve Niagara, believing the relief of the Royal Americans to be near or at Presqu'Isle, and that the latter were to be sent over the lake, with a sufficiency of bateaux to carry the troops over Lake Ontario to Oswego. These things astonish him after he had written that it was impossible to furnish this relief without bateaux, provisions, horses or water, and distress him so much that he will say no more at present. Hopes to see him at Pittsburgh when things are settled. Hears that Hubbert has had the road made to the three redoubts and will soon join Shelby, and come down the road together. Hopes all will be done by the 16th, which will be a great point in favour of getting from this to Ligonier. When the road is done must contrive to get the guns and send ammunition from Ligonier to Pittsburgh. 75

October 9,
Ligonier.

Bouquet to Stanwix. Arrived last night; was detained by the weather; the rains have so destroyed the roads between the mountains, that ten horses could hardly get a waggon up the Alleghany, and in coming down to Edmund's swamp they sank above the axles. By the deepness of the road and the additional weight of the rain on their bags, 300 pack horses have been ruined. The debris is expected to-morrow, but does not think the waggons can be here before the 12th. It is a

1759.

misfortune, but a good deal of flour was here before which will be pushed forward. Had he known the lowness of the stock at Pittsburgh, he could have prevented it, but does not think that a man entrusted with supplying an army was ever treated with such neglect, for except what he learned from him (Stanwix) he got no returns, though he begged to have them from Major Gates. Sends a note of what provisions are forwarded. Is astonished at the change respecting Niagara, showing that Amherst does not know the immense difficulty of subsisting a handful of men at Pittsburgh, and that none of the country waggons will go beyond Bedford, for which he cannot blame them since he has seen the state of the roads. All the dependence must be on pack horses. Page 77

November 26,
Cumberland.

Bouquet to Stanwix. Could expect but little from Virginia, but that little has failed; hears nothing of Mercer or his contractors. He shall lose no time in repairing that breach. Salt sent forward, and has sent for 50 bushels more left on the road from Winchester. How the salt is protected from the wet. The blankets used for this purpose and others sent by Ourry will serve for the troops at Pittsburgh. Ourry is also forwarding 500 head of cattle bought by Hoops. Has bought horses, sleighs, &c., and impressed whatever can carry a load to the Monongahela; though late, hopes the troops will not suffer, "but after the fatal experience of the Virginia promised assistance and resources, any man who would trust them deserves to be served as we are." By the burning of Callender's house at Carlisle he (Bouquet) has lost the papers and receipts concerning the public service besides his luggage and private papers. Money matters. The roads are so bad that he was obliged to leave his waggon and baggage in the woods; only pack horses can be used. So soon as the salt is forwarded he shall proceed to Winchester to finish, if he can, for ever with all these worthy gentlemen &c., &c. 80

December 8,
Pittsburgh.

Stanwix to Bouquet. Approves of all he says in his letter of the 20th. Money sent as requested. Sends four companies of his battalion to Lancaster, namely, Bouquet's, Stevenson's, Elrington's and Campbell's. Other troops to be sent. The Virginian regiment marched on the 25th to defend Fauquier's Dominion or to assist Lyttleton who is calling on Fauquier for help. Seven bateaux sent to Red Stone Creek are frozen up. Does not expect that he can leave this before January. Barron and Gates have set off to see their wives. 83

December 20,
Winchester.

Bouquet to Stanwix. Has been detained; has settled for all that was clearly due, but has referred the rest to him (Stanwix). Memorandum on money matters. Salt and pork sent off, the quantity to follow in February, March and April. If there is corn in Pittsburgh, some of the hogs could be kept alive and fat and saved for the use of the sick, &c. Lyttleton has sent word to Fauquier that the Cherokees had offered to deliver up the offenders, but that he keeps marching on intending to hang them in their own town. Major Lewis arrived from Montreal reports that Pennsylvania is keeping only 160 men having disbanded the rest. All the prisoners returned from Canada; Jenkins is at Crown Point; Ryde was sent to New Orleans. The French look on themselves as conquered, having no provisions, bread and meat being three French livres a pound. Their men-of-war above Quebec are to attempt to go down after the retreat of the British fleet. Is glad of his promotion, though the Royal Americans will lose a good colonel. Sets off for York on the way to Lancaster to settle the accounts of the upper country. 85

December 24,
Pittsburgh.

Stanwix to Bouquet. Asks him to be present at Lancaster, where the troops of the Province of Pennsylvania are to be disbanded, so that he may direct the officers of the four companies of his battalion in recruiting; no greater service can be rendered the battalion just now than to endeavour to complete it, and his presence will do more than all the

1760.

rest. Arrangement of the troops. Hopes that Governor Hamilton may be enabled to retain small garrisons at each of the posts of Lyttleton and Loudoun. Page 88.

January 4,
Lancaster.

Bouquet to Stanwix. The measures he has taken for recruiting on the unexpected reduction of the provincial forces of Pennsylvania. There has been no success with the new levies; hopes to have more with the other. The men required have volunteered cheerfully to go back to Bedford which is satisfactory as he heard that last year they did not behave well. They shall be marched immediately after receiving money from Philadelphia to clear them. Hogs sending a new supply of cattle; hogs are ordered from Maryland. Hopes he (Stanwix) will soon receive flour; early in Spring he can have any quantity as the country people are willing to be employed as soon as the horses can get food in the woods. Is uneasy about his (Stanwix's) indisposition. 90.

January 10,
Pittsburgh.

Stanwix to Bouquet. States the contents of a former letter. Supposes the detachment of this battalion has been marched to Bedford, where Ourry is to command for the present. Well supplied with salt, but the stores do not increase. Cannot increase the garrison for the works, till there are at least 1,000 barrels of flour beforehand, which can be accomplished if the Virginians do any thing at all. Has a good deal of frozen beef, so shall not go on salt provisions till the 20th. If the hogs and sheep arrive monthly as promised, he shall be pretty well off for flesh. Not to stay longer in Lancaster than is agreeable to him, as his (Stanwix's) gout is getting better and he hopes to leave this in February if the roads are passable. 92.

January 18,
Pittsburgh.

Same to the same. It was lucky he (Bouquet) was at Lancaster, at the breaking up of the Pennsylvanian provincials, from whence he has great hopes of completing the four companies. When recruiting is pretty well over, Elrington to be sent to New York for the clothing of the battalion. Respecting the other clothing. The four companies to be completely clothed before they leave Lancaster, as it is probable they will march early in Spring. Instructions to be given to Etherington (elsewhere Elrington) not to delay &c. Shall oblige Prevost with clothing if he can. Amherst's instructions about clothing sent. Money warrants forwarded, with note of the uses to which it is to be applied. The uncommon severity of the weather; will not move till there is a prospect of its being warmer. Not to tie himself down to Lancaster; he can easily pass between that and Philadelphia. Hopes to have flour from the country people, so that they may know the way to this market (Pittsburgh). Has written Amherst that the fort, works, and garrison on the two communications require 2,000 men, but does not know where to get them. The Pennsylvanians are disbanded and Governor Fauquier writes that the Assembly will keep on foot no more than will secure their own frontiers. Complains of the number of Indians brought in whom he does not know how to feed. 94.

January 26,
Pittsburgh.

Same to the same. Hopes he may be able to go a good way in completing the battalion. Major Tulleken stays till he (Bouquet) can come to take command of the battalion. Tulleken's selling out is meantime suspended. Hopes to go home for a reason he (Bouquet) knows. The excessive cold still detains him. 98.

April 18,
Philadelphia.

Same to the same. Warrant to order tools, &c., to be employed on the works. 99.

May 26,
Philadelphia.

General Monckton to the same. He is to proceed to Carlisle to march with the four companies of the Royal Americans to Fort Bedford, and on arrival there to send a detachment to Ligonier, the one now there to go to Pittsburgh. Orders that returns be sent of the state of stores at

1760.

Bedford, escorts for provisions, &c., to be furnished. Should reinforcements be wanted at Ligonier or Bedford, the troops on the communication to be ordered to join and under his command march to the relief of either. Will be at Carlisle on the fifth of June for a few days, to review and direct the march of the Pennsylvanians. Shall always be happy in concurring with him in any measure for the advancement of His Majesty's service.

Page 100

May 28,
Philadelphia.

Monokton to Bouquet. The non arrival of the express leaves him in doubt as to the situation of affairs at Pittsburgh. He (Bouquet) is at once to proceed with the four companies to Bedford, sending the detachment to Ligonier as ordered, but if immediate aid is wanted at that post or Pittsburgh, he is to proceed by forced marches and without baggage to their relief. His anxiety about the ordnance stores, &c., at Ligonier. If necessary the whole four companies are to proceed by forced marches. Colonel Boyd has been ordered to proceed to Fort Cumberland without delay. He (Bouquet) may open all letters addressed to him, Monckton.

102

June 7,
Carlisle.

Horatio Gates to the same. Letters received. The General is sorry for the bad state of the roads; he will send off Byrd with the first battalion of Pennsylvanians with whom tools will be sent to repair the roads. The General desires him (Bouquet) to march to Pittsburgh with all the regulars and provincials that are at Bedford, except the officers and 200 men of the Royal Americans, who are to be left at the post; the detachment for Ligonier, however, to be sent on. Sends letters. The expresses will bring the letters weekly.

105

June 7,
Ft. Lyttleton.

Bouquet to Monckton. In the Indian case mentioned in letter forwarded, he thinks it more prudent to dissemble for the present, till Pittsburgh is better provided, trying in the meantime what Croghan can do. The four companies have arrived here and proceed to-morrow to Bedford. The roads from Loudoun are so bad that almost all the waggons upset. This is partly owing to the heavy rains, partly owing to the neglect of the commanding officers at Loudoun and Ligonier in not repairing that road; has ordered all the men upon it. Wheelwrights wanted to repair waggons at Loudoun and this post.

107

June 8,
Carlisle.

Gates to Bouquet. Sends letters, &c, arrived from Philadelphia. Gordon has just gone; Walters ordered to stay at Bedford with the two companies left there. Byrd, with his men, ordered from Cumberland to Bedford.

108

June 10,
Bedford.

Bouquet to Monckton. The four companies arrived here last night. The roads are so bad above Loudoun, that the waggons which attempted to go to Ligonier with only 1,200 weight are halted on the top of the Alleghany, though they put ten horses to one waggon, and can go no further. Pack horses must be used till the weather is settled and the roads can be repaired. Sends returns of the stores; bad state of the storehouses. By orders received in letter from Gates, Captain Schlosser marches to reinforce Fort Ligonier. He (Bouquet) will only have one subaltern to march with him to Pittsburgh, after leaving the officers and detachment at Bedford. The provincial troops here. Will join Schlosser at Stony Creek on the 12th and proceed to Pittsburgh.

109

June 21,
Bedford.

Gates to Bouquet. The General proposes to leave this on Monday, and be at Ligonier on Wednesday, so that in not many days they shall see the Ohio. Has told Croghan of the General's movements if the Indians wish to meet him. Croghan is to be allowed to come with them to preserve decorum and to supply language.

111

June 24,
Shawanese
Cabins.

Same to the same. Amhorst has informed Monckton that Lewis has been obliged to raise the siege. Major Rogers has also defeated a consi-

1760.

derable party of the enemy within three miles of Isle aux Noix, and the capture of six store ships in the St. Lawrence completes the successful opening of this campaign. The General will be at Ligonier on Thursday. Page 112

June — Bouquet to Monckton. Shall carry out orders as to the four companies, but everything was quiet at Pittsburgh. Shall open the letters according to orders. 104

July 6. Instructions by Monckton to Major Walters sent by orders of Amherst to relieve the garrison of Niagara with a detachment of the 1st battalion Royal Americans and to take the command at Niagara in place of Colonel Eyre of the 44th regiment. 113

July 6, Pittsburgh. Horatio Gates to Bouquet. The General is pleased to hear he has made so good a setting out. The sutler to accompany him has set off with 20 horse loads of rum; to be joined by 24 horse loads more of "that sweet liquor." The General had hoped the fellow would have taken some wine &c., for the officers, but he looked only to his own profit. To take all the rum for the King's service, which with carriage will be paid for at Pittsburgh. The utmost endeavour to be made to prevent rum from getting among the Indians. 114

July 6, Fort Pitt. Monckton to the same. To execute Amherst's orders, he has sent a field officer with 400 rank and file of the Royal Americans to relieve Niagara; for taking post at Presqu'Isle, he can only send 100 men of the Virginian regiment, (none of the Pennsylvanians having arrived). Hopes to be able in two days to send a proper detachment to the latter; sends therefore, a letter to Major Gladwin of the 80th, who is to take the relief to Niagara across Lake Erie, to leave 150 of the Americans or of his own detachment, at Presqu'Isle for two days to secure that post. Gladwin has orders if he arrives there first to throw up an intrenchment to serve as such to a block house to be erected there on the most advantageous position, to contain about 150 men with officers in proportion. Captain Croghan with a few Indians are to attend him (Bouquet). He is to give them friendly assurances. Croghan is to invite the chief to meet him (Monckton) at Fort Pitt. Should the Indians, contrary to expectation, prove hostile he has a sufficient force to execute the service with which he is charged. To retain only sufficient men to secure the post till a reinforcement be sent. Sends the instructions for Walters (p. 113). Amherst has ordered Gladwin to leave some of the whale boats on Lake Erie to keep up the communication; six will be sufficient. Injunctions to dispatch &c. 115

July 7 to 17. Journal of the march of a detachment under the command of Colonel Bouquet, from Fort Pitt to Presqu'Isle.

The distances given are :

Fort Pitt to Venango.....	81½
Venango to Le Bœuf.....	46
Le Bœuf to Presqu'Isle.....	15

142½ 118
124

The order of march follows.

July 9, Fort Pitt. Horatio Gates to Bouquet. News from Quebec confirmed. Walters need only carry 24 rounds from Presqu'Isle to Niagara; the rest to be left with him (Bouquet). The escort for the horses returning to be from the Virginians. 126

July 9, First Crossing Beaver Creek. Bouquet to Monckton. Confusion at leaving; many of the men drunk on the 7th when the detachment left Fort Pitt, and had to encamp four miles off, having marched at least six. Has met here Hutchins who will give an account of his journey. Is sorry Gladwin has so much the start;

1766

will lose no time and hopes to be at Presqu'Isle by the 16th. Nobody knows anything of the country but the Indians; and they are almost always drunk. The bad arrangement of the pack horses; and the men are loaded besides carrying tools; the heat is great and there is no water. The bad state of the roads, the Indians in good humour; they get a sheep every night. Page 127

July 8
Fort Pitt

Memoir to Bouquet. Letter sent by Morcor, who marches this morning with 130 Peaver savians; hopes he will reach Presqu'Isle shortly after Bouquet. Thinks there is no doubt that Quebec is safe. 129

July 10
Fort Pitt

Same to the same. Is sorry to find he has met with so many difficulties. The cause of the horses giving out so soon must lie with the drivers, a set of watch should be kept on them. Sends back Hutchins, who will be of use. Thinks Morcor will make up to him, in which case he need not detain Gistawa a moment. The sutler's horses pressed in to the service as he had made all the Indians drunk. The men returned have got 100 robes out of the 300. They shall be sent back, to be given or paid for the remainder according to their behaviour. 130

July 10
Fort Pitt

Same to Gistawa. Hears from Hutchins of his arrival at Presqu'Isle; hopes there will be no objection, but has written Bouquet on that subject. 133

July 12
Vincennes

Bouquet to Mackinac. Hutchins has delivered the letter; having ridden 4 hours the first and 15 hours the second day. Venango is farther than he and the route is dangerous. Expects Morcor to overtake him soon. Gistawa and a man will not be detained a moment. The fort here burned to the ground and the new half round it demolished. The ruinous state of the saw mill. The navigation here is hardly navigable for canoes. Charges of Venango's men have improved the pack horses, but their backs were sore. They are all getting tired or lost and two bags of flour, which Morcor brought up. One Virginia lost; supposed to have lost his way in the woods. Croghan goes to Catawagous town with presents. Sends a Journal of the route sent to Jordan. 133

July 14
Mackinac
St. Ignace

Same to the same. The Indian sent from Venango has returned promising to be gone today on account of the horses and obliged to halt for want of water under us. Has sent word to Gistawa to Presqu'Isle to be ready to receive the Royal Americans and to send men to repair the bridge over the Sturgeon or the St. Clair. The distance marched is 104 miles since he left Presqu'Isle. The Indians lost horses or several loads must have been lost. The horses with sore backs have given out. Has lost 20 lbs in the march. Asks for locks for stores and garden seeds, especially tobacco. Croghan obliged to stop at Catawagoustown, the Indians being all tired and not fit for business. 135

July 17 to 20
Presqu'Isle

Journal of Bouquet's arrival. Indians from Detroit sent to observe the motions of the troops, go back after giving friendly assurances. The attack on a party of 30 Indians of the 300. Minor details given of routes, &c. 139

July 21
Presqu'Isle

Signs Morcor to Bouquet. Two of his people found dead and scalped. The sergeant who brings this was wounded. Tracks of the enemy seen going towards the fort. How the Indians may be easily driven. &c. 148

July 22
Presqu'Isle

Instruction assigned to march with a detachment taking the Indians and horses to the Peninsula. To build a post for a sergeant and party seeking the best site to discover the Lake and South shore. Other arrangements for the care of the horses, and for getting and making provisions. The guards to be sent day and night to prevent surprise, &c. 151

July 23
Presqu'Isle

Bouquet to the General. Two men of the party sent to communicate the Peninsula report being attacked by about 2 Indians near the neck.

1880.

Captain McNeil sent out with 100 men found the sergeant lying in the water wounded, two men killed and scalped and two missing. It is the same party who assured Croghan they would do no harm. If he had had the whale boats he could have destroyed their canoes and probably retaken the two prisoners. Has sent the cattle for grass to the Peninsula, and built a block house on the narrow part of the neck for a sergeant and party; a redoubt is built for the grass guard. Unless attacked by a very large party thinks the Peninsula secure. An Indian who appeared, retreated directly on seeing the post. No timber here fit to build whale boats; would build a pilot boat if approved and if anchors, &c., could be got. Delays owing to alarms, sickness, &c. Asks for one or two patteringoes, or cohorns to give the alarm to recall the workmen. Flints, scythes, &c., wanted for the Indians. Various small details. Page 139

July 23,
Pittsburgh.

Monckton to Bouquet. Has received letters and returns by Croghan. Approves of the several steps he (Bouquet) has taken. Loss of pack horses; the horses belonging to the Virginian officers are ruined. Will not attempt with pack horses again, but will try the Ohio; is sending Major Stuart with 100 men in bateaux, to take post at Venango, 50 men to follow with cattle and Patterson with 30 or 40 horses to carry between Venango and Presqu'Isle. Arrangements about flour, tools, &c. Respecting provisions and demands by Basset. Asks his opinion about building bateaux and decked vessels, and whether by Gladwin's account there are harbours on the lakes. Intends to build a small post at LeBœuf. Arrangement of the convoys for pack horses, namely the Pennsylvanians to go to Presqu'Isle and remain there; the Virginians to escort the horses to Venango, and remain there; by this means the garrisons will be exchanged. Good news from all quarters. Return of Virginians almost starved; their stores were expended, and the Indians had none, being all drunk. How military artificers are to be paid. Respecting roads, &c. Sir John St. Clair returned recovered from his illness. 141

Bouquet to Bentinck, asking him to send up wine. 145

July 29,
Presqu'Isle.

Horatio Gates to Bouquet. The flight of the French at Quebec, leaving their cannon, camp equipage, &c. Arrival of St. Clair, looks ill, but eats heartily and if he persevere in drinking moderately will disappoint his executors. As he (Bouquet) is likely to get the first news of the Grand Army, asks him to send the earliest news of the capitulation of Montreal, and in return will send the history of Marshall Broglio's defeat. References follow to European news. Social gossip. 146

July 30,
Pittsburgh.

Bouquet to Monckton. Arrival of detachment of Virginians and one of Royal Americans from Niagara, where Walters has no flour to spare. The danger of navigation on Shallow Lake. Cannot store provisions for a year unless cattle and salt are sent. Desertion of Pennsylvanians. Indians arriving almost starved. Hoops taken prisoner; has escaped from Detroit, reports the number of French troops there. 148

August 6,
Presqu'Isle.

Same to the same. Has received letters by express from Venango, where Major Stuart had not arrived on the 8th. The last heavy rains have raised the water and will facilitate his passage, but will render the swamp near Le Bœuf very deep for loaded horses. Grumbling of the men at reduced rations; relieved from Niagara by Amherst's orders. Provisions besides pitch &c. to finish the bateaux asked from Major Walters at Niagara. Is sending Horsey, the master shipwright, to Niagara to see about material for building bateaux and the decked vessel proposed, which will do well on the lake. Horsey has orders also to examine harbours; that at Presqu'Isle is one of the best in the world. Major Gladwin has sent a plan of the coast, too large to send by Horsey. Half of the heavy timber hauled in; men unwilling to work. Where

August 11,
Presqu'Isle.

1763.

the small post at Le Pœuf shou'd be plac'd; more men wanted to have it finished before the frost. The Virginians have been exchanged with the escort from Venango. Nothing has grown in the garden. State of the road. Condition of the boats. The supply of flour, &c., sufficient in the meantime. Only a few Indians living on the Lake are here; McKee does not understand their language. Wishes Croghan were here to get rid of them. Page 150

August 15,
Presqu'Isle.

Bouquet to Monckton. Arrival of Major Smallman from Venango with a party of Pennsylvanians escorting tools, provisions, &c. The same number of Virginians will go to Venango with the pack horses. Leave of absence to Lieut. Col. Worth. Sends the sketches of the lake, &c. Hoops sends a letter about rations; how they had been settled; have any alterations been made? Three deserters brought from Venango. The heavy rains. 154

August 20,
Pittsburgh.

Horatio Gates to Bouquet. The General (Monckton) has received all the letters and will write soon. The present letter is sent by some Six Nation Indians to be attached to his post for obtaining intelligence and to hunt, &c. The venison they bring in to be bought by the commissary, and issued as rations to the troops. The General has finished his conference with the Indians, who appear more hearty in the cause than ever before. 156

August 23,
Fort Pitt.

Monckton to the same. To supply Basset with such stores as are necessary. Only a small quantity of flour can be sent him from Niagara. Can send no men from here; sends four horses, which with the others he has should be enough. Only a small block house for an officer and 20 or 25 men wanted; will order assistance for this to be sent from Venango. Has written to Niagara to give the shipwright sent there all the assistance that can be given. Deserters to be punished. Indians seem satisfied; they are to receive presents at Fort Pitt only. Orders respecting the venison from the Indians repeated. Is sending warriors to Detroit to demand the prisoners and a principal man of the Six Nation who is in prison there. They will not be satisfied with them alone; if they can be got to strike one stroke, they must be persuaded to pursue it. Major Gladwin's three deserters sent to be forwarded to their regiment. Stores, seeds, &c., sent. Croghan purposes sending Montour up soon. If kept sober he will do well. Is glad he has a better road to Le Pœuf. Montgomery's return to the settlement. Murray pushing on. Death of the Lieut. Governor of New York. 157

August 24,
Pittsburgh.

Report that the French were concerting with the Wyandots an expedition to attack Presqu'Isle. 161

August 27,
Pittsburgh.

Monckton to Bouquet. Has sent Montour with some Indians who are to be kept in whole or in part as he may think best. They are to be allowed the same ration as the troops and to be employed hunting. Should the intelligence sent by Croghan (p 161) be true, the Indians will be serviceable. Montour is to call at Custologas to notify the Indians there to be ready. Neither Croghan nor he believes the report. The Indians with him will help him in carrying on the works in quiet. 163

September 1,
Presqu'Isle.

Bouquet to Gates. Had received letter by an Indian, who reported the early arrival of pack horses from Venango, but knows nothing of the expected Indians. Return of bateaux from Niagara with a small supply of flour &c.; no more can be sent till the sloop returns from Oswego. No naval stores to be had. Horsey has returned with a good report of the landing near Niagara and of the timber, but as he could get no help had come back without doing anything; reports good bays along the coast. His disagreeable situation for want of proper boats; reports the state of these he has. By sending up Buffalo Creek there is rigging at Pittsburgh to fit up a vessel. From the 1st to the 24th August there

1780.

has been almost constant rain, delaying the works and making the men sickly; reports the progress in building. Sends deserters. Forty men sent for flour; had been obliged to give his own tent to make a sail for the sailing boat. It is very cold and he does not expect the navigation to remain open after the middle of October. Page 164

September 3,
Presqu'Isle.

Bouquet to Monckton. Pack horses attacked at a mile and a half from the camp; the advanced party (a corporal and some sick on horse back) were fired at by the French and Indians, one killed, three Virginians taken prisoners, but Captain McNeal coming up drove back the enemy and rescued the prisoners. A reinforcement sent, but the enemy did not appear again. Report by a Delaware of a large party of French coming to attack the post. Besides the man killed two are missing. Another man fired at coming from the Peninsula by land, but he escaped. Clapham sent with a boat to reconnoitre. The guard in the redoubt in danger from any small party, and it was reported that there was a larger party than appeared; is too weak to risk any party out but the hunters, the woods being almost impracticable. The Indians will be out after them for two or three days; they have fortunately lost three of their own which makes them more eager to overtake the enemy. Will reinforce the escort of the pack horses as far as LeBœuf. 225

September 6,
Camp Pitts-
burgh.

Gates to Bouquet. The General has received all the letters sent by the Indian. Instructions sent by Hutchins; the method proposed should keep the coast clear and distress the enemy. Good news hourly expected from Philadelphia; it will be sent on arrival. Does not apprehend any serious attack on his (Bouquet's) post and Croghan says he would have timely intelligence of the enemy's motions. It is believed by many that a separate peace is made with France. 168

September 9,
Montreal.

Vaudrenil de Beaujeu commanding at Michillimakinac (in French). Has been obliged to capitulate yesterday to Amherst. The city was without defences, the number of troops diminished and resources exhausted. They were surrounded by three armies, a collective force of 30,000 men. On the 6th Amherst was in sight of the walls; Murray had carried one of the faubourgs and the army from Lake Champlain was at LaPrairie and Longueuil. Had no choice but to capitulate and had made advantageous terms especially for Michillimakinac. The inhabitants are to preserve the free exercise of their religion, to retain possession of their property, moveable and immoveable and of their furs and to be treated like the other subjects of the King of Great Britain. Privileges granted to the military. The inhabitants being declared by Amherst subjects of his Britannic Majesty, the common law of Paris (*Coutume de Paris*) is not continued. The troops are to engage not to serve during the war, to lay down their arms and to return to France. The troops at Michillimakinac are under the same conditions and are to go to a seaport to embark for France; the citizens &c will be under the command of the officer sent by Amherst. Copies to be sent to St. Joseph and the neighbouring posts. 170

September 13,
Presqu'Isle.

Bouquet to Monckton. Letters brought by Montour and Indians. The little influence possessed by the manager at Pittsburgh over the Indians. Has kept a few Chippewas, whose appearance may be of use, but they will not stay long, this being a bad country for game. No other Indians are settled on this side of the Lake from Detroit to Niagara, except a few stragglers. Had sent a party after the enemy; they overtook them, when the enemy fled, leaving their meat upon the field. Arrival of flour from Niagara, much of it having served for a breastwork at Oswego all last winter. Sloops ordered to follow Amherst. Reported capture of the French vessels and attack on Isle Royale. Deficiency of oakum for flat

1791.

which will send her to Niagara as she is. Houses will be finished in October and men sent to erect a log house for a black house at Le Bour. Respecting the state of the army, Pennsylvania deserters secretly join the British from the Royal Americans sent to Niagara. Also orders about sending troops, about building vessels, and suggestions as to preparations for the winter.

Page 134

November 11,
Fort Pitt.

MONROE to BOUTWELL. Is impatient for letters from him. Cannot receive the diamonds on the money and six must be content for the present with success. If Walker gets a supply of naval stores he will send what are wanted. Has sent several ammunition and carbine balls; two of the sentries in garrison at French Creek. De Parris was up at French Creek. De Bass takes up money to pay the Pennsylvania men. Believes all is settled in Canada although he has no definite word.

117

October 1,
Pittsburgh.

Came to the same. Sends news of the surrender of Montreal and Canada but no particulars.

179

October 2,
Fort Pitt.

Came to the same. Amherst has ordered Major Rogers to send a detachment of regulars to take possession of Detroit, Michillimackinac and their dependencies. Captain Campbell goes for this purpose with 100 men. Carpenters sent to repair and build boats; will write about provisions. As the Assembly of Pennsylvania will not likely furnish men, he will be obliged to get 50 or 75 from Niagara; will write Mercer about them. Canoe sent. The pack horses with Campbell, after delivering their loads, are to continue carrying between Venango and Presque Isle; will send as many more as he can get. Rogers thinks French Creek would be navigable were the trees cut that have fallen into it; a captain and 75 or 80 men might be sent to do this, to be supplied with crosses and saws which are forwarded. This will also take many ceters off, which is a considerable loss at his post.

180

October 13,
Fort Pitt.

Same to the same. Detailed instructions on the subjects of the preceding letter. Campbell will show him a copy of the capitulation of Canada. All the men that can be spared besides those to French Creek, to be sent to Fort Pitt to save provisions. When arrangements are made he (Bouquet) is to come down. Carolina in a bad state. Stores, blankets, &c. sent off.

183

Instructions to Major Rogers with Vaudreuil's letters to the posts, follow.

184

Form of oath of allegiance and instructions to Captain Campbell follow.

188

October 20,
Pittsburgh.

Gates to Bouquet. Ammunition to Major Rogers to be sent from Venango, and he is also to furnish all that can be spared, which will be replaced in a few days.

191

October 25,
Fort Pitt.

Morckton to the same. Sends instructions (with returns) as to provisions, men employed on the works, &c. Orders as to winter quarters. No presents to be given to the Indians this year, having received so many last year, and their victualling to be put on a more regular footing. The letter is filled with details of how the ordinary duties are to be conducted.

193

October 27,
Pittsburgh.

Same to the commanding officer of the Pennsylvanians, respecting enlisting

196

October 30,
Fort Bedford.

Same to Bouquet. Governor Fauquier has announced that his Assembly has voted that their men are to be sent to protect the frontiers. As there is no likelihood of getting any Pennsylvanians, the Virginians are to be detained and distributed as ordered, notwithstanding any orders Colonel Stephen may receive. Has written again to Fauquier with Amherst's orders, so that he hopes the Assembly may change its determination. Is hurried by this unexpected answer of Virginia, but as

1760.

the posts cannot be left, the men must be detained at all events. Respecting stores, provisions, &c. Page 197

November 4,
Presqu'Isle.

Bouquet to Monckton. Letters received. Arrival of shipwrights; they have repaired and are building boats. Arrival of Campbell with detachment and stores; 40 rangers and 15 Royal Americans sent off with cattle by land, taking bateaux to ferry the men over the river and French Creek. The provisions sent make about two month's supply for them. Five bateaux with rangers went to Niagara for provisions to go to Detroit, which will give three months' supply. Pennsylvanians sent down to clear French Creek, &c. Has kept 25 men at Le Bœuf and as many here as will man the six new bateaux for a trip to Niagara, leaving about 20 here. Orders about provisions sent to Walters; fears he has no bateaux. The very bad weather since 1st of October, of which details are given, as well as an account of damages sustained by boats, &c. With the assistance of the Canadians Major Rogers may get to Michillimakinak, which is 120 leagues from Detroit. La Baye is 80 leagues further on the north shore of Lake Michigan. Scarcity of ammunition; has given Rogers what could be spared. Thinks from the difficulty of getting provisions that 80 men will be sufficient for this post and La Pointe. Does not mention the forts on Lake Huron and Superior and others to the west upon the water falling into Hudson's Bay, as it would take two years to see them all. 221

November 26,
Fort Pitt.

Same to the same. Had arrived last night from Presqu'Isle after waiting till the 19th for the detachment of the Royal Americans, but had no word from Walters, although orders were sent on the 31st; the whale boat sent was overtaken by a detachment of rangers and they proceeded together to Niagara, so that the orders must have reached. A boat sent with another message was wrecked. Progress in building bateaux. On the 19th another bateau was sent to Niagara for provisions, only 20 pounds of meat and 3,400 pounds of flour being left. Arrival since of cattle, &c. Pennsylvanian and Delaware troops ordered to march to Carlisle, the detachment ordered to relieve the posts as per return enclosed. Shall execute the orders respecting the upper garrisons. A foot express is fixed for each post as far as Juniata, where the chain will break. The Pennsylvanians left at Presqu'Isle and the Virginians keep their posts till the Royal Americans arrive. 202

November 29,
Fort Pitt.

Same to the same. Sends monthly returns of the first battalion Royal Americans. From the heavy rains raising the rivers and creeks, it is doubtful if the expresses to Presqu'Isle and Venango can get along. Scarcity of forage. The Virginians in excess of 300 are going down, and out of them Lt. Col. Stephen is to leave a few men at Fort Cumberland. Loss of six waggon horses; carelessness of the Pennsylvanians in this respect; it is suspected that six deserters have stolen them. Has sent orders along the line to have them arrested. Asks instructions respecting the discharge asked for by three and four years' men. Arrangement he proposes for having the accounts settled. 204

November 30,
Philadelphia.

Monckton to Bouquet. It will be time for the provincials to march down; sends details of the garrisons for the posts, which are to be taken equally from the Americans (Royal) and Virginians. There might be spared 30 or 40 men who would be useful should Amherst decide to let the Virginians go. The garrisons at the advanced posts may perhaps be reduced. He is to order 30 of Walters' men to be detained at Presqu'Isle, on their arrival with provisions. Colonel Stephen or Major Stewart may send away all the Virginians above 300. The battalion under his (Bouquet's) command is to be ready to take the field on the shortest notice. When the Pennsylvanians march, their tents

1760.

are to be taken into store. The Assembly will not give a man; they are even going to break the three companies. Spare arms to be stored; ~~expenses to be reduced~~; details of the savings that can be effected, and accounts settled. Carpenters to be kept at Presqu'Isle to prepare timber for bateaux and for a vessel on the Lake; Clapham, now at Pittsburgh, to go down to superintend. The Delaware troops at Fort Burd to come down by way of Pittsburgh. Page 199

December 2,
Fort Pitt.

Bouquet to Monckton. Has heard from Captain Miles, in command at Presqu'Isle; hopes he will stop desertion till the detachment ordered from Venango can get there. No word of the arrival of the Royal Americans at Presqu'Isle; doubts if they are coming, in which case it will not be possible to feed above 20 men there, even if hogs can be got to it, which is doubtful. Desertion of a corporal and five men of the Pennsylvanians sent on escort duty; three are arrested; orders sent down to arrest the corporal and two men who escaped. Bullocks for the upper posts sent to Venango, with salt provisions for that post. The river high and the frost severe; the water is too deep for the bateaux sent by Sir John to use setting poles. 206

December 4,
Fort Pitt.

Same to the same. Shows the difficulty of supplying the upper posts. Haldimand, commanding the 4th battalion Royal Americans, writes that he had discharged 125 men, whose time had expired. He (Bouquet) must do the same. 208

December 7,
Philadelphia.

Monckton to Bouquet. His (Bouquet's) presence much wanted at Fort Pitt. Since he sent the distribution of troops others have arrived from England; the General has sent Colonel Vaughan's regiment for this department; the first division arrived yesterday and the remainder will arrive to-morrow, which shall be sent forward as soon as the weather shall permit. What is to be done with the Virginians and how many men are to be left at the posts? Hopes he has heard of the safety of the missing. Sends a march route to the commanding officer of the Virginians. If there is difficulty in supplying Le Bœuf and Presqu'Isle, the Virginians might be sent to Pittsburgh. Ruesel to be sent down to go with the troops to Carolina, the names of the corps being given. Expresses his satisfaction with Bouquet's conduct. To send a subaltern and twenty of the Royal Americans to Ligonier; and, if they can be spared, the same number to Bedford. 210

December 20,
Fort Pitt.

Bouquet to Monckton. Had been obliged to detain the Virginians till the arrival of Vaughan's first division. With the different duties (enumerated) he has only 154 men fit for duty in the garrison. The gate still open; the frost prevents clearing the ditch; not a stick of wood in the place and none cut in the woods; the Alleghany full of ice and likely to be frozen over soon, and his main spring, Clapham, so ill that he cannot stir. What is to be done with the provisions should the frost prevent them being sent to the posts? It is owing to Major Stewart's activity that the two advanced posts have got the little provisions they have. It is a good thing to have a man who has a head as such men are not common here, but throw all the burden on the commanding officer, being themselves unconcerned spectators. Arrival of the Pennsylvanians from the upper posts, having been relieved by the Virginians. Orders sent to keep only 60 Royal Americans for Presqu'Isle and Le Bœuf. Venango reduced to 40 men. The bad state of the roads; the weather will be more settled in January. Has heard from an Indian that the missing boat was wrecked, but the people saved. Owing to want of accommodation, proposes to drop one company of Vaughan's at Bedford and another at Ligonier, which would relieve Juniata and Stony Creek and a few men might be left at other posts (named) to carry letters,

1760.

and to be quartered there, whence they could join in Spring for work. Proposes to pack the provisions in barrels to prevent damage. Clothing should be sent from New York in Spring. Respecting promotions. The ferment among the troops has subsided and there is now complete harmony. The losses incurred by depending on Niagara for naval stores. The uneasiness caused by the loss of the large flat. His preparations for building a decked vessel. Delaware George has arrived and reports loss of bateaux, people saved. Deserters arrested at Ligonier. Arrest of a prisoner for forgery; will send him to Bedford. Page 213

December 25,
Philadelphia.

Monckton to Bouquet. Letters received; hopes the Virginians arrived in time to relieve the Pennsylvanians at the upper posts. The great loss of the large flat is distressing. Vaughan's regiment that are fit for duty (about 250) are on the march for Pittsburgh. No more men to be sent to the advanced posts than can be supplied. Indians might be employed, as was done by the French; an extraordinary price for venison might encourage them. Leaves the distribution of troops to himself, but thinks the Virginians should garrison Forts Bird and Cumberland, and that Vaughan's regiment might be kept at and below Pittsburgh. Would prefer his delaying the discharge of the men from his battalion till Vaughan's arrival. Is going to New York but will return soon. Asks for the discharge of Henry Haynes. 219

1761.
January 2,
New York.

Same to the same. Hopes the weather has been favourable that Vaughan's regiment will soon be with him (Bouquet). The General (Amherst) will not consent to the discharge yet of the men of his battalion; those of the 4th were discharged on a particular promise. 228

January 2,
New York.

Same to the same. Sends general orders for publication. His present Majesty (George III) was proclaimed on the 25th of October, the day after the late King's death. 229

January 8,
New York.

Gates to Ourry, that he has permission to purchase the company in the second battalion of the Royal Americans. How the other steps are to go and the amount of each. Has the General's (Monckton) leave to come to New York, after the march of Vaughan's regiment is settled. 230

January 14,
Fort Pitt.

Bouquet to Monckton. Had sent orders to the Royal Welsh Volunteers to relieve several posts (named); the Royal Americans to return here and the Virginians to march to Winchester. Reliefs for Venango and LeBœuf. Has bought pack horses to save expense. All well at Presqu'Isle; abundance of meat every where. On the arrival of Vaughan will relieve Forts Bird and Cumberland. Vaughan has just arrived and reports Detroit well supplied; ammunition will be sent there; its large consumption, but the rangers are a destructive people. Mather has been given £100 to pay the Indians for venison. Sends list of naval stores wanted for building a decked vessel. Return of Clapham and Affleck; the men who deserted after their misfortune robbed them of every thing and sold the provisions to the Indians. One half of the officers and men of the garrison seized with epidemic cold, resembling pleurisy, caused by variable weather. Why he discharged the men of his battalion. Is sorry for the punishments inflicted during the campaign, which were enough to ruin any regiment; has not punished one man since he joined. Applications for leave to sell out. 232

January 26,
New York.

Monckton to Bouquet. Letters received. Respecting the repair and building of bateaux &c., to be ready when the weather breaks up. Desires that the road between LeBœuf and Presqu'Isle be made passable for a waggon if it can be done. To reinforce Presqu'Isle, LeBœuf and Venango to enable them to forward provisions, &c. The Virginians to be sent off in detachments as Vaughan's gets up. Preparations for forwarding provisions, &c., and the steps to be taken to prevent damage. How

1761. the returns of the corps are to be made up. Is plagued about the Virginian contracts for flour. Stoddard's accounts were so complicated that nothing could be made of them. The French prisoners not yet arrived. Ammunition to be sent to Detroit. Respecting promotions. The men who left Irwin on the way to Niagara, should be flogged and sent about their business. Page 237
- January 26, Bouquet to Monckton. General orders received and given out. Arrival
Fort Pitt. of the first and second divisions of Vaughan's regiment. The Virginians have marched to Winchester, Bedford and Cumberland. No men will be discharged from the battalion without the General's orders. Explains certain returns sent. Will at his own expense replace the men he has discharged from the battalion, which he can do in a short time, if permitted to recruit. Had erred by discharging every year part of the men entitled to it; by this means not half as many were discharged as from the fourth battalion, though there were from the beginning not 150 men draughted, all the rest being enlisted for three and four years. Owing to his impaired state of health; asks leave to retire on half pay or sell out. 241
- January 26, Same to the same. General orders received. Arrival of Vaughan's
Fort Pitt. last division; march of the Virginian troops by Bedford and Cumberland for Winchester. Asks instruction respecting deserters from the Pennsylvanians. Arrest of a deserter from Belestre's troops; he is a German and says he knows where the French buried iron guns; shall dig for them when the frost goes. Respecting the men discharged from his battalion. 243
- February 12, Monckton to Bouquet. Not to retain the German mentioned. Belestre's
New York. houses within the fort cannot be sold; what is to be done with those at the Detroit will be determined afterwards. Respecting a deserter. How the Indians are to be victualled. Approves of his course respecting pack horses. Is glad to hear that the upper posts and Detroit are well supplied. The General is displeased with Walters for not forwarding provisions. Respecting money matters, promotions, &c. Is glad he had reenlisted some of the discharged men; will speak to the General about allowing other discharges. Is extremely glad to find that corporal punishment is laid aside, as he never knew a regiment the better for it where carried to excess. The same disease he mentions (p. 234) has prevailed along the continent, and a good many have died of it. Has nothing to add respecting the upper posts. 245
- February 12, Same to the same. Is glad to hear of the arrival of Vaughan, &c. The
New York. four Pennsylvanians should get a good flogging. Hopes that Belestre's soldier may find the guns; many have pretended to know where they are. The General is satisfied about the discharge of the men, although he would have liked that they had been detained a little longer. Ammunition may be given to Indians; Crogham can be certain of going against the Cherokees. There is no objection to traders going to Detroit, if they conform to the necessary rules. Is glad the sick recover a little; work at the ditch when the weather permits will do them good. 248
- February 24, Bouquet to Monckton. Sends returns. The garrisons of Venango and
Fort Pitt. LeBœuf relieved and all the Virginians gone down. The Royal Americans were 22 days on the march to LeBœuf; several of them frost bitten. They have flour and salt till April. Artel [Hertel] has returned from Shawanese town, with only six men out of 18, some being left sick, others having deserted; they were all militia of Canada. Lieut. Butler of the rangers keeps the post at the Miamis; has sent a French trader for goods. The Indians being naked and in want of every thing, he has induced Trent and others to trust the French trader. Petition from Baby, a French trader from Detroit; he will not take the oath of allegiance and desires

1761.

leave to go back to Detroit, Michillimakinak and Montreal to recover his debts and pass into France. As he is of a family having great influence among the Indians, asks orders as to his application. Asks for a few days' leave to go to Philadelphia on business. Page 250

February 27,
New York.

Monckton to Bouquet. Vaughan's regiment is ordered to Philadelphia by Amherst who has applied to Governor Hamilton for 300 men to replace them; but as they cannot wait to be relieved, he must do the best with the Royal Americans for garrisoning the different posts. Instructions have been sent on the subject to Vaughan. This will leave the posts weak, but there is no help for it. Will hurry up the Pennsylvanians if they can be persuaded to raise them, but doubts of their readiness to comply. No letters have arrived, but two packets are expected. 252

March 18,
Fort Pitt.

Bouquet to Monckton. Letters brought by Hoops, who, with Read, had come to make a survey of provisions. Vaughan's regiment will leave to-morrow; there are none of the men detached beyond this, so has only to relieve Bushy Run, Ligonier and Stony Creek. Vaughan will leave one officer and 20 men at Bedford, and one officer and six men at Juniata. Has sent to Detroit 25 out of 34 oxen received from Virginia; this is the last supply he can send till he is reinforced; Campbell had better get provisions from Niagara and send Canadians to Fort Pitt for cattle, giving timely notice. Sends report of a Court of Inquiry on Mr. Baby and two traders, which contains the facts. The case of Thomson's clerk is more open to indulgence than Blain's, who disobeyed positive orders. 253

March 26,
Fort Pitt.

Same to the same. Answers in detail the questions concerning provisions and gives information respecting water and land communication to Presqu'Isle. The difficulties from obstructions in and the depth of Bœuf river; proposes, therefore, that this year only the beaver dams and a narrow channel be opened. Work on the carrying place neglected (there being two used by the French); would employ 300 men for the campaign. The old one must, therefore, be repaired and made passable for waggons in summer, which could be done by 50 men in two months. Arrangements proposed for horses at Le Bœuf for land carriage to Presqu'Isle, and for their being kept at the latter place. How oats could be raised at each post. Reports on the use of the vessels for water communication, and how he deals with the bateaux; refers to the Indian department for report on Indians. How his returns are made up. Has got rid of the Pennsylvanian desertors. Respecting promotions, changes among the officers, &c. 255

April 5,
Philadelphia.

Monckton to Bouquet. M. Baby may come to Montreal to collect his debts and go to France, but as he has not taken the oath of allegiance he cannot be allowed to make the tour he proposes, and as he attempted to trade without leave, he deserves no indulgence. Captain Nelson with his company of 60, part of the 300 voted by the Assembly, has marched to Bedford; Ourry will follow in a few days; Ligonier can't be better, Blaine being there; the rest of the 300 to go to Fort Pitt as soon as raised. The best way to deal with the traders who supplied Baby against orders is to pull down their houses and banish them, restoring their goods; strict regulations are necessary and Amherst has written Sir William Johnson on the subject. The enormous expense for Indians; it is time they lived by their hunting. Work at the fort. Basset to report what the artificers are doing. The General intends the vessel for the Lake to be built above the Falls. Does not think it worth while to clear French Creek or repair the road till the terms of peace are known. The

1761.

American battalions are to be reduced to 700, so that those in excess in his (Bouquet's) battalion he will apply for leave to discharge. Vaughan reports people settling on the Monongahela at a distance from the fort; they must be ordered off as they may create disturbances with the Indians. Cannot at present give him leave of absence. Page 260

April 6,
Philadelphia.

Monckton to Bouquet. Is glad to hear that Campbell's party is so healthy. It will be necessary to build more bateaux at Detroit; the ship carpenters are to be ordered there. In the Assembly yesterday it was 15 to 12 against furnishing any more men for His Majesty's service. 254

April 18,
Fort Pitt.

Bouquet to Monckton. All well at the post, except Captain Mather, who was so ill that he was allowed to come from Venango; that fort is in good hand, Baillie being very exact and attentive. Provisions forwarded there and to Presqu'Isle and Le Boeuf. The Lake opened on the 20th of March, but was full of ice till the 1st April, when M. Christie sent a bateau to Niagara for provisions. Letters shall be forwarded and accounts and returns sent by Bentinck. 245

April 22,
Fort Pitt.

Same to the same. Returns, accounts, &c., sent. Note of the prices of corn bought at Venango and Fort Pitt, some more, but not much, can be bought at the same rates; contract made with the country people to carry flour to Venango. The price at which flour can be carried to Red Stone. Death of Stoddard from cold in the woods. John Carlisle applies for the removal of stores left in his charge at Alexandria in Braddock's campaign. Baby has been informed of the General's orders; has allowed him to remain and sell the skins now coming up the river. The goods seized shall be restored to the owners; their clerks were alone guilty and shall be banished and their houses pulled down as an example. (pp. 254, 260.) Sends list of the inhabitants with and without licences. Means he proposes to stop the nightly trade of rum with Indians. Only two contracted shipwrights here; assiduous good workmen. The immense expense for repairing bateaux; new ones building. at Presqu'Isle; progress of others building. Presqu'Isle to depend on Niagara for supplies. How he would like the troops sent, so as to avoid confusion in the returns. The battalion has been reduced as ordered. Separate abstracts shall be sent for the reduced sergeants and supernumeraries. Respecting spare arms and those lost in action, by desertion, &c. Does not understand an order about drummers. Orders sent to drive the people off the Monongahela. Taverns wanted on the road. Croghan and Chapham wish to make a settlement on lands acquired from the Indians, and asks orders thereupon. Has renewed the order for bidding the impressment of horses or carriages except by his own directions; shall impress none himself except from absolute necessity. More waggon horses wanted. Has now six men in the ditch; the sod work is all repaired and he shall begin to make bricks. Is sorry for Bentinck; the permission to purchase offered by the General was kind and his friends in neglecting it have ruined him; suggests that he be employed somewhere during the campaign to save him the mortification of serving as youngest lieutenant in the 45th 263

May 1,
New York.

Gates to Bouquet. Sends general orders. Burnsly to come to New York to assist the committee in settling Colonel Young's accounts. The 22nd regiment, Montgomery's and Vaughan's sailed yesterday under convoy for Guadaloupe. 275

May 4,
Fort Pitt.

Pas for two Indians and a white boy sent with a message to Philadelphia, signed by Bouquet. 267

May 15,
Fort Pitt.

Bouquet to Monckton. Cochran has arrived at Presqu'Isle, but says nothing of the number of his men, Indians have stolen a considerable number of horses. Horses intended to go to the saw mill for boards

761.

were stolen out of the stable by Shawanese; one found shot; the others overtaken, but the Indians only laughed at messages sent by Croghan and carried them off. The Mingoes at the head of the river carried off ten of Trent's horses, but he has recovered them. The loss is serious just now; has bought two to get wood for the brick yard. The expected 500 men having "vanished" shall only carry on the most necessary work. The 250 shall be employed finishing as much as can be done at the Fort. Captain De Haas' company expected. No success in digging for the French cannon. The French soldier fled but was caught by Trent when looking for his horses; he is in irons and shall be sent to Niagara. Croghan leaves for Niagara. Page 278

May 17,
New York.

Monckton to Bouquet. All the provincials ordered to Fort Pitt, except 20 for Bedford and Juniata, and a sergeant and 12 for Ligonier. Wonders at the continued ill behaviour of the Indians; Croghan can't be spared till he alters it. Gordon leaves to-morrow and will take up horses. Explains orders about the drummers. To hurry Barnsley down about Young's accounts. Bentinck was to have gone to Louisbourg, but Amherst has given him a company in the Royal Scotch, so he only goes to Halifax. Changes in the Ministry and preferments of general officers. He (Monckton) has been appointed to this government. The General (Amherst) complains of the troops being paid for work, as it is the only place in which it is done; asks his sentiments on the subject. The pay might be reduced to the price of a gill of rum, which should not be more than four pence. He may discharge the men of his battalion who are best entitled to it. 280

May 21,
New York.

Gates to the same. Sends commissions for promotions, with price of the different steps purchased. 282

May 22,
Fort Pitt.

Bouquet to Monckton. Barnsley leaves for New York, to assist at the settlement of Young's accounts. The distribution of medals to faithful Indians. Part of De Haas' company has arrived; the rest left behind; the men are encamped on the Monongahela to be near their work at the saw mills &c. Has ordered tents to be repaired for their use. Cochrane reports his detention by ice on the Lake in April. Concerning stores, &c. All quiet in the posts; the garrisons at Presqu'Isle and Venango might be diminished. Carre sent to Venango to relieve Baillie, who is sick. Has reduced the price of carriage to the posts. The Shawanese stole fifteen horses belonging to Welsh, which were going to Detroit, and forced the drivers to swim them over the river; Welsh has sent men in pursuit. Croghan will state the reason of Baby's stay here, who, the Doctor thinks, will be able to go down soon. 283

May 26,
Fort Pitt.

Same to the same. He has given a pass to two Delawares going to Philadelphia. 276

June 12,
Fort Pitt.

Same to the same. Is anxious to go to Charles Town or Philadelphia to prevent further depredation by the agent on a plantation in which he and friends are interested. Capt. Gordon can be safely trusted to take charge of the posts during his absence. 285

June 12,
Fort Pitt.

Same to the same. Only 30 provincials arrived; 70 more expected to-morrow. The garrison at Ligonier relieved. The sergeant's party sent to Detroit with oxen has returned after great fatigue and want; the horses carrying the flour broke down, and though almost starved they did not kill one bullock. From Sandusky they found continual swamps and often marched middle deep in the water. Campbell complains of the quantity of rum sold at Niagara by Sir William's permits, and of the bad use the traders make of them. More horses stolen by Indians, chiefly by vagabond Mingoes. The chiefs have promised to do their best to put the stealing down; wishes the chiefs were not made so much of when

1761.

they go to town, so long as they detain prisoners and steal horses, as they attribute kindness to fear; and he never could get any thing from them by soft words. They have formally thanked him for keeping rum from them. Another bateau upset and provisions lost. Wreck of a large bateau; one man killed and another drowned. Barnsley went down after a party sent to save the provisions, but his bulk does not admit of great diligence. Orders sent for the discharge of men whose time has expired. Commissions have arrived. In England all soldiers are paid when employed on regular fortifications like this, and their allowance of provisions on this continent is necessary on account of the high price of everything. It appearing extraordinary that the men are paid only at this place for working, he enters into an explanation of the reason, which is given at length. Is happy to hear of Bentinck's good fortune, and congratulates Monckton on his promotion. Page 287

June 28,
New York.

Monckton to Bouquet. Clothing for his battalion stopped till the roads improve. The Pennsylvanians having no doubt joined, he is to build a small block house at Lake Sandusky, as a halting place. By a sketch of the Lake he sees that the French had their fort on the north side; prefers the south side for the convenience of bateaux coming and going. The work to be begun at once and the Indians informed of the object. Stores to be examined at Bedford. If the shipwrights will do to build the fort they may be employed, if not they are to be discharged, as they are a heavy loss and have little to do. There is no objection to taverns being set up between Bedford and Pittsburgh; does not see how Croghan and Clapham's scheme can be carried out consistently with promises made to the Indians. 292

June 30,
Fort Pitt.

Bouquet to Monckton. The sudden revolution of Indian affairs at Detroit. The measures taken to prevent surprise; the inhabitants armed, guards along the rivers; temporary defences to the fort. Messages sent by the Detroit to the other Indians. A vessel on Lake Erie would be useful in supporting the advanced posts. Ammunition will not be sent to Detroit unless it can be delivered safely. The killing of the Indian is unlucky at present, but cannot be made a pretext for the conspiracy; the chiefs in the neighbourhood agreed at a conference that the Indian deserved his fate. An old Indian trader, a Pennsylvanian and batman to Captain Little was carried off by two Indians, a Delaware and a Mohican, but released by the latter whilst the other was absent hunting. Reinforcements sent to Ligonier; nearly every man passing on the road from there to Presqu'Isle is robbed. The 300 Pennsylvanians are now reduced to one half. Bernet arrived with horses and has gone back for forage. How are the presents for the Delawares and Shawanese to be brought up? More troops should be enlisted from Pennsylvania. Will not leave in the present critical circumstances. 295

July 5,
New York.

Monckton to Bouquet. To send off cattle for the meeting of Indians with Sir William Johnson at Detroit. May discharge men entitled to it. Blockhouse at Sandusky to be repaired. Leave given him to come to Philadelphia on his business as it is so pressing. Mather cannot be spared, unless his health absolutely requires it. The necessity for his (Bouquet's) speedy return. The artillery to come down to New York, except those specified. Has heard of the killing of one Indian at Ligonier and of another at Tuscarora; Croghan to investigate. (This letter was not received till the 2nd of October.) 298

July 16,
Fort Pitt.

Bouquet to Monckton. The detachment of artillery sent down as ordered. Will give all the dispatch possible to the intended block house at Sandusky. The diminution in the number of Pennsylvanians by sickness and desertion; little can be done with the few men remaining. A plot

1761.

for desertion discovered among them; the ring leader was killed; six others concerned were punished. Want of carpenters. Campbell writes from Detroit confirming the news about the Indians; nothing new here, except that more horses have been stolen. Proposes to withdraw all trade from the Shawanese till they deliver the prisoners and stolen horses. They are in want of powder, and if the trade is withdrawn they could not long stand the immoderate price charged by the other Indians. Respecting payments, which he wishes to be made by Gordon. Page 300.

A continuation dated the 24th says that there was a great council of Indians who pretended to tell all that passed between them and the Western Indians, but said not a word of truth. Were told they would be judged by their actions. Details of desertions and deserters. 302

Monckton to Bouquet. He is surprised at the sudden change among the Indians, but hopes, as the Detroit Indians refused to join, that it will not turn to anything. Preparations to be made to meet it. Sir William Johnson to have a meeting at Detroit and Gladwin going there with a large detachment. The Indians about Pittsburgh have no reason to complain. Ourry has orders to arm the inhabitants of Bedford, keep a good look out, &c. Will try to get the Governor and commissioners to complete the 300. He (Bouquet) not to leave till every thing is quiet. If the Delawares and Shawanese bring in the prisoners they must receive some small presents. 303

Bouquet to Monckton Letter of 13th received. Indians quiet. The Delawares and Shawanese divided respecting the delivery of prisoners; it is said the first have 100 and the others 150. The distress in sending off the detachment ordered, owing to want of transport for provisions, &c. The expense incurred by Gladwin in building the block house; Croghan proceeds to Detroit to arrange with the Indians and fix on a spot for a post on south side of the Lake. Sir William and Croghan will learn the true reasons of discontent among the Northern Indians. Those here complain of nothing except the prohibition of trade. When the withholding prisoners and stealing horses are given as reasons, they make promises they never intend to keep. The traders anxious to go in to trade. Asks explanations of regulations. Amherst has ordered Walters not to discharge men whose time is up. 305

Same to the same. Stories circulated about Mr. Baby caused his arrest when the Indian plot was discovered, but his innocence being clearly proved on investigation, he has been released. His intelligence and knowledge of the Indians, &c. would make him useful; he asks leave to go to Montreal There has been no disturbance from the Indians since their scheme was discovered. Croghan has settled for the Indians killed below. The small supply of fresh meat. Flour sent to Venango and LeBoeuf. Deserters. The weak state the battalion must be in after the campaign, when the men entitled to their discharge will become troublesome. He has been robbed of subsistence money; thieves not yet discovered. 312

Monckton to Bouquet. As Sir William Johnson is at Detroit hopes he can set everything right. To secure Fort Pitt against surprise. Approves of not letting traders go to the Shawanese and other towns that steal horses, till they leave off the practice and bring in some of the prisoners. The regulations do not allow traders to go where they choose, the passes only allowing them to go where the officers commanding posts should think proper, and that as the commanders are responsible for the conduct of the sutlers, they must fix their licences. Respecting returns, &c. Approves of his dealings with the Seneca chiefs. What is to be done with deserters. Points out errors in accounts. Promotions; hopes he has recovered the money stolen. 314

July 13,
Philadelphia.

July 24,
Fort Pitt.

August 11,
Fort Pitt.

August 24,
New York.

1761.
September 10, Bouquet's advice addressed to officers who had been complaining of
Fort Pitt. their major; he advises them to abandon their complaints as being
unreasonable under the circumstances. Page 316
- September 10, Same to Monckton. None of his (Monckton's) expresses arrived for
Fort Pitt. two months. How the insolence of the Indians could be checked. The
imprudence of the Six Nations will give a handle to divide their councils;
Sir William will, no doubt, improve the favourable disposition of the
Western Indians. He had embarked on the 20th August for Detroit,
with a reinforcement for Niagara; the Royal Americans are to garrison
the French forts on Lakes Huron and Michigan. What cattle were sent
off; this post now well supplied, so that a grass guard has to be furnished
which cannot well be spared. The want of success in recruiting. Had
discovered the error pointed out in the accounts, but cannot clear it
here. The rest of the letter refers to internal affairs of the garrison,
stores, accounts, &c. 11th; suicide of Dr. Milne; asks for a duly qual-
ified surgeon to take his place. 318
- September 19, Same to the same. Respecting accounts. Arrival of Meyer's detach-
Fort Pitt. ment with cattle and horses at Sandusky. Illness of Captain Cochrane
at Presqu'Isle, where he cannot recover for want of assistance and medi-
cine; has ordered Major Walters to relieve him that he may go to the
hospital at Oswego. Additional provincial recruits arrived, 34 in num-
ber, a welcome reinforcement. Respecting the supply of cattle; part of
the supply sent to Venango. Proposes a new route to the Ohio by the
west branch of the Susquehanna, through a short portage to the heads
of two different creeks falling into the Alleghany on this side of
Venango, and the Indians say navigable in Spring and Fall. Hutchins
offers to survey it with one Indian and two white men in a canoe. 321
- September (?) Memorandum for Captain Campbell of certain affairs to be attended to
at Detroit. 324
- October 5, Bouquet (in French). No address, simply "Monsieur et Cher Amy."
Fort Pitt. The affairs of Carolina are a vexatious proof of the impossibility of taking
concerted action. The sending young Roger seemed the only way to save
the wreck, left from the negligence or bad faith of Fesch. Has not
thought proper to withdraw his procuration from Austen, Laurens and
Appleby till he learns of Roger's arrival and knows his instructions and
sentiments. The expense of liquidation; what he proposes. Further
about this business, about other money matters, a proposal in 1758 by
Prevost to take shares in a commercial house, &c. (This letter refers to
Bouquet's estate under the charge of Fesch.) 325
- October 5, Same to Monckton. Croghan returned from Detroit, reports Sir
Fort Pitt. William Johnson's complete success in his treaty with the Indians. Has
only now received his letter of 5th July (p. 298) sent to Detroit by mistake.
Is disappointed of flour from Detroit for Sandusky, as Campbell can
hardly provide for his own post, owing to a bad crop. The expense and
difficulty of supplying Sandusky from this post. Regulations for Indian
trade received. Nelson cannot pay bills drawn for contingencies without
his (Monckton) orders. Byrd's battalion of Pennsylvanian troops being
reduced and he continued only as Captain, his (Bouquet's) views as to the
manner in which Byrd can be left in command should he (Bouquet) have
leave of absence. An Acadian deserter from Fort Charles who has
been a year in the woods and travelled from Fort L'Assomption to Fort
Loudon, reports the Tennessee navigable to the Falls, and thence 40
miles more to the fort by a good path for horses and the hills not very
high. Proposed act to naturalise foreign officers of the Royal Americans.
A word from Amherst might do good. The necessity of providing ord-
wood. 329

1761.
October 7,
New York:

Monckton to Bouquet. Hopes to get the General to allow the stolen money to be charged to contingencies. Gordon ordered down to take part in an expedition. The serious loss of flour. He (Bouquet) should not leave Fort Pitt till the General decides, as he has ordered the officers to their posts. There being so many troops going on the expedition, Gordon must make haste or he will be too late. Page 332

October 21,
Fort Pitt.

Bouquet to Monckton. Has only received letter of the 7th: Gordon sets off to-morrow. Is pleased at his (Monckton's) appointment to command an expedition, but feels the temporary loss of an indulgent General. His sense of obligation for the payment of the stolen money. Gordon's merits; he can always be depended on and his work this year with a handful of men does him honour. He (Bouquet) will bear his exile patiently. Trusts that the finishing stroke of the war may be reserved for him (Monckton) to whom the first success was due. 333

1763.
February 17,
New York.

Monckton to Bouquet. Acknowledges receipt of papers to be laid before Amherst. 336

November 18,
New York.

General Gage to the same. Has succeeded Amherst, who sailed on the 17th for England. The harassing nature of the service in which he (Bouquet) was engaged during the campaign. Hopes he got up the last convoy, which will leave the fort well supplied. Is sorry that Pennsylvania and Maryland were so backward in affording assistance, as it is next to impossible for regulars to march in woods without a body of good woodmen to prevent surprise. The Crown will pay the expense of expedition proposed in conjunction with Colonel Stephen, if he (Bouquet) approves of it. If too late this year, it must be deferred till Spring; he is to put his fort in a proper state of defence and secure his communication when his present operations are completed. Will be glad to see him at New York to concert the operations for next Spring. Disposal of the first battalion, &c. To look out for a person fit to act as engineer. To take the names of the militia suffering from detention at Fort Pitt, so that amends may be made to them. Rolls of the 42nd and 77th regiments brought by Captains Graham and Campbell; hopes the former will soon be completed; the remains of the latter will be sent home. 337

December 1,
New York.

Same to the same. That he has sent the proclamation regulating the limits of the new Government, granting lands to the reduced troops &c. to be proclaimed in the usual manner. (The proclamation does not accompany the letter.) 340

December 22,
New York.

Same to the same. His letters received; he may supply the want of a magistrate at Fort Pitt by the Judge Advocate; attestations made before him where there are no civil magistrates will be valid. Captain Cochrane to be appointed to one of the companies of Carolina. The misfortune to Major Wilkins' party on Lake Erie on the 7th November when were lost, Lieutenant Davidson of the Artillery, Lieutenant Painter of the Platoon, and Dr Williamson of the 80th regiment, with four sergeants and 63 rank and file, a great many boats, provisions, one six pounder and all their ammunition; this obliged them to return to Niagara. The sincerity of the Indians of Detroit in their overtures can only be discovered hereafter. In the meantime Gladwin must guard against treachery. The other tribes may sue for peace, but no overture of that kind must come from the military authorities, as these would rather protract the war. If really inclined for peace, the Indians will apply to Sir William Johnson. The posts on the Mississippi to be relieved from Mobile, those on the Ohio from Pittsburgh. Respecting quarters and movements of troops, &c. 341

December 27,
Fort Pitt.

Bouquet to Gage. Congratulates him on his appointment to the Chief command. It was too late in the year to think of further operations this

1763.

way; but if he does not think proper to grant peace to the Indians the same plan may be followed in Spring. Repairs to the forts; the posts on the communication secured and provided with stores, &c. Hutchins, ensign in the 60th, will act as ensign till one can be sent up. The Delawares and Shawanese have not applied for peace; is afraid the provinces may neglect to make preparations; the only certainty of a lasting peace, is not to grant it except at the head of such forces as must convince them of the ability to chastise them if they break it. Respecting the arrest of Lieutenant Guy of the 60th and Watson of the 77th. Had written them to satisfy Captain Stewart, who had arrested them, but they did not answer. They are ordered to this post to be tried. Page 344

1764.
January 30,
New York.

Gage to Bouquet. Respecting the charges against two officers, Lieutenants Guy and Watson. Desires to see Bouquet at New York to settle the plan of operations for next season, as the peace with the Indians is very precarious. Is trying to draw some of the friendly Indian into the quarrel; they have promised to fall on the Shawanese and Delawares, which nations should be punished though peace be made with the rest. Shall soon order three companies of the 42nd from Carlisle to march this way to be replaced by the first battalion lately come down from Niagara, who have been ordered to Philadelphia; they went off in very bad condition, in want of every thing. 346

February 4,
Fort Bedford.

Bouquet to Gage. Letters, dispatches &c., received and forwarded. The King's approbation of the conduct of the troops, would have increased their zeal had that been possible. Left Fort Pitt on the 21st of January; the deficiency in stores shall be supplied from here, the communication being free of Indians. When that is done he will come to New York. Only his desire to forward the service could have detained him so long in this wilderness. Is sorry for the distressed situation of the three companies returned from Niagara, but it was only what might be expected from the hard service of the battalion among the Indians for the last six years. Is pleased to know that it is determined to punish the Delawares and Shawanese; the Senecas do not deserve milder treatment; wishes they were compelled to incorporate with the other Five Nations, so as to lose their odious name, as after their unparalleled treachery there can be no sincere reconciliation. 349

February 22,
New York.

Gage to Bouquet. Hopes that the provisions placed in Fort Pitt, with the supply now sent will last till the middle of summer. Expects him (Bouquet) at New York. The Shawanese and Delawares have not yet made overtures for peace. Shall do everything in his power to make them sue for and be glad to get it. The Senecas are equally guilty. 350

March 1,
New York.

Memorial by Bouquet to Gage that the claims of the people of the southern district for services during the last campaign may be settled. 351

March 5,
New York.

Bouquet to Plumsted and Franks. Order by authority of Gage, to them to settle the accounts for services in the Southern district during the last campaign. 353

March 6,
New York.

Instructions by Gage to Bouquet respecting the settlement of claims in the Southern district. 355

March 7,
New York.

Bouquet to Plumsted and Franks. Further respecting the settlement of claims in the Southern district. 358

March 8,
New York.

Same to Governor Penn. That in consequence of the renewed Indian hostilities, hopes he will send troops to act with the regulars for the convoy of provisions to Fort Pitt, as if not, three companies of the Royal Americans must be ordered from Philadelphia. Return of the first party of the Six Nations bringing 41 Delaware prisoners, taken on one of the

1764.

branches of the Susquehanna as they were coming to attack the settlement. Page 360

March 8,
New York.

Certificates of service of Lieutenant James Dow and Archibald Blane, for payment. 362

March 8,
New York.

Gage to Bouquet. Is sorry the convoy was delayed by a small scalping party which the men that killed the soldiers near Fort Pitt seem to have been. The proper plan would have been to scour the country, rather than to have stopped so essential a service. Should the convoy arrive safe there will be no fear of Fort Pitt for twelve months. Hopes that Governor Penn will not hesitate to send the provincial troops asked for; if sent not a moment should be lost in forwarding the convoy, if threatened with attack by a large force it should stop or throw itself into a place of safety. 364

March 8,
New York.

Bouquet to Gage. For authority to send a convoy from Fort Loudoun to Fort Pitt, owing to fresh acts of hostility by the Indians, which render an additional escort necessary. 363

April 4,
New York.

Gage to Bouquet. Has placed all the troops from Philadelphia southward under his command. Is disappointed in the hopes of reinforcements of provincial troops to act in conjunction with the regulars, through the backwardness of some Provinces to give assistance in the common cause. As the regulars consist only of eight companies of the Royal Highlanders and six companies of the first battalion of the Royal Americans, his first measures must only be defensive, preserving Fort Pitt and the posts of communication, which have cost so much blood and treasure, from falling into the hands of the enemy. Has written to the Governors of Virginia and Maryland, desiring them to give directions to the militia on their frontiers to obey the orders he (Bouquet) shall send concerning stations, and that men volunteering for escort duty may be allowed to go, without being struck off the militia roll. The frontier counties of Pennsylvania being left defenceless by the legislature, will no doubt associate for mutual defence. It is to be hoped he may be able by the frontier men and militia to procure on an emergency enough to defeat the enemy's designs. His Majesty regards this Indian war as carried on for the interest of the Provinces which should bear the expense, so that he must put the Crown to as little expense as possible, but this is not to prevent judicious encouragement to the country people to join His Majesty's regular troops on critical occasions. Enjoins economy in the administration of affairs in the Southern district. The risk of suffering in a defensive war with Indians; how offensive operations may be carried on against the Indian settlements, and hopes he may be able to send 150 to 200 friendly Indians to cooperate. He intends to attack the Wyandots from Lake Erie and hopes the two attacks from Fort Erie and Fort Pitt may be made nearly at the same time. Owing to the distance much must be left to his (Bouquet's) discretion. 366

April 10,
New York.

Same to the same: Has sent a credit to enable him to pay off the Fort Pitt militia. Sends an account for gunpowder, which he is to pay for at the rate current in that part of the country. 370

April 14,
War Office.

Welbore Ellis, Secretary at War, to Gage. For an exact return of the Royal Americans, specifying the names of the officers, the date of the reduction &c., that the reduced officers may be put on half pay. 373

April 15,
Lancaster.

Bouquet to the same. Sends letters. The express met the convoy within 25 miles of Fort Pitt, where it must have got safe. The public accounts here are settled; to-morrow he leaves for Carlisle. He was detained at Philadelphia, the commissioners having declined to subsist the Indians, but had agreed to continue after some negotiation. The Indians were to

1764.

April 19,
New York.

be removed from the town to an island and he agreed to furnish a guard. Page 371

Gage to Bouquet. Has received his letters from Lancaster with enclosure from Fort Pitt. The guard for the Indians is useless except as a show. Sir William Johnson has made peace with the Senecas, who have delivered up the murderers of the traders, and given up a large tract of land round Niagara to the King, with the carrying place, and promised to take up the hatchet with the rest of the Six Nations against the enemy, giving hostages. About 400 are gone out. Sir William Johnson's son is at the head of a large party. Troops of Connecticut and Jersey expected soon at Albany, and Bradstreet will then move for Niagara. It will take him some time to get over that carrying place, and his first operations will be against the Indians of Sandusky, thence to Scioto. If he (Bouquet) could be in readiness to fall down the Ohio and up the Muskingum, thence to Scioto, it would confound the Indians. To communicate fully on the subject, when arrangements are made. Respecting hospital service; Commissariat regulations; artillery, store keepers, &c. Sir William Johnson will furnish near 200 Indians for an expedition to Fort Pitt. 374

April 21,
Carlisle.

Bouquet to Gage. Letters received. Convoy arrived safely at Fort Pitt; the horses have returned. Has received a credit to pay the Fort Pitt militia. 373

May 3,
Carlisle.

Same to the same. The guard left at Philadelphia for the Indians, was intended to let the people see that they (the Indians) are under Gage's protection. The peace with the Senecas is very honorable and must be followed by the submission of the Delawares, Shawanese, Wyandotes and Mingoes. What terms are to be granted, if they sue for peace? Suggests the following points: 1. That they deliver the murderers of Clapham, &c., to be put to death. 2. That they deliver all white people, prisoners or adopted, and this must be insisted on as the latter have been active in hostility. 3. That they renounce alliance with any Indians besides the Six Nations. 4. That they renounce in favour of the Crown all rights, &c., to the lands on the east side of the Ohio from the head of that river to the sea. 5. That they do not cross that river without leave. 6. That they shall trade only at Posts pointed out. 7. That they repay in skins within seven years, the losses sustained by the traders. 8. That they give sufficient hostages for the performance of the treaty. Cannot give a satisfactory answer till he knows what the Assembly of Pennsylvania has done; has had no answer from the Governor of that Province or of Virginia. Shall be ready to march in a few days when he knows what troops he can depend on, and meantime desires to know when Bradstreet is to be at Presqu'Isle and what his stay there; he will find it difficult to extend to the Indian towns on the Scioto, the distance being 90 miles, as he cannot have horses to carry provisions and there is no water carriage. The measures he (Bouquet) proposes for the expedition. Minor details. Had no opportunity before, but shall now suppress every kind of expense not absolutely necessary. Ourry's accounts should be settled at New York. All other accounts are now adjusted. Recommends colonel Reid for his care in respect to accounts. Believes the man Hicks who made a deposition to be a spy; he has lived for several years with the Indians and joined in their depredations. The six companies ordered to Fort Loudoun have been stopped by the creeks being impassable from the rains. 377

May 5,
Carlisle.

Same to the same. Recommending the appointment of an adjutant to the first battalion Royal Americans. 381

1764.
May 14,
New York.

Gage to Bouquet. Believes that the Delawares &c., will sue for peace; the transaction must be left to Sir William Johnson. His object in demanding a tract of land for the King, was to form a military establishment near Fort Pitt, a little community of which the commander of the fort should be Governor. It is confidently said that neither Virginia nor Pennsylvania can by their charters claim up to the Ohio; asks him to get some certain knowledge of their boundaries, and lay out townships on a well considered plan, having in view security and defence, with regulations as to the conduct and obligations of the military settlers. Bradstreet not to be long at Presqu'Isle, owing to the uncertainty about the Detroit Indians, as also of those beyond Detroit, which will make it impossible for Bradstreet to send any reinforcements till his return from Michillimakinak; all his troops are beyond Albany, except those of Connecticut, who have not yet moved out of their Province. Sir William Johnson has promised a large body of Indians shall be assembled at Fort Pitt to carry out his (Bouquet's) plan. The Assembly to meet to-day at Philadelphia, but does not expect anything to be done except to petition the King to be taken under his protection. Hicks to be tried and hanged if proved to be a spy. Change among the officers of the army. Page 385.

May 20,
Philadelphia.

Bouquet to Gage. It is needless to remark on the unwillingness of Virginia and Maryland, especially Virginia, to furnish troops. They have not always held their militia law so sacred as not to mould it according to circumstances, but they seem now as indifferent as if they belonged to a different State and had no concern in this war. Having no hopes of assistance from these two Provinces, he has turned to Pennsylvania, and has reason to believe the House will grant 1,000 men, besides 300 for the frontiers, but as the 1,300 were to be raised for His Majesty the 300 left on the frontier should be victualled for the King, which at a private conference he promised to recommend, but he believed that the Province would soon be as willing to promote the service as they have obstructed it hitherto; hopes the request for subsistence will be granted. Cannot tell how long it may be before the troops can be got ready. Application respecting surgeon's pay. Agrees as to the means of impeding the Indians; will write what occurs to him on the subject. The inconvenience for settlement of the ground about Fort-Pitt on account of the high hills and the bottoms liable to be overflowed. At a moderate distance three or more townships might be placed one on each river and one between them. The difficulties as to the ownership of the soil arising from claim by Croghan on an Indian title, and the indeterminate limits of Pennsylvania and Virginia. The King may, however, cut out of the latter what he pleases, as was formerly done by taking the Carolinas, Maryland and Pennsylvania out of that Colony. Several grants have already been made on the Ohio by Virginia without, he thinks, sufficient authority. To prevent disputes, all grants to the westward of the Alleghany Mountains should be annulled, under whatever pretence, and in this he would include the charters to the Ohio companies. How the proprietors of Pennsylvania might be brought to surrender the part of their charter respecting lands to the westward of the Alleghanies, and a new military government might be formed to the westward, thus effectually covering Pennsylvania from attacks by the Indians, and thus enhancing the value of the lands. The three companies of the Royal Americans reduced to 55 men, 38 having deserted, caused, he believes, by Amherst's refusal to allow the men to be discharged, whose time had expired; the encouragement given to deserters must ruin the army unless the laws against harbourers are strictly enforced. When he can be spared asks permission to enjoy the leave of absence granted by the King.

1764.

May 21,
New York.

Gage to Bouquet. Respecting promotions and exchanges among the officers of the army. Accounts received have been paid; some at Fort Pitt and Cumberland are left open; they should be closed as he can allow no article of the last campaign to come into this. The Paymaster General is anxious to have a final warrant. Desires to have as full information as possible about the navigation of the Ohio. Major Loftus was attacked on the Mississippi and returned without much damage; hopes that by precautions he may succeed in his second attempt. Page 393

May 22,
New York.

Same to the same. Was already informed that Governors Fauquier and Sharpe would send no assistance from the militia of Virginia or Maryland. The indifference of these Provinces to the results of the Indian War would astonish any one less acquainted with their internal policy than he (Bouquet). If the 200 men are to be under the King's General, he can have no objections to feed them, but if they are called troops for the defence of the frontiers and under the command of the Governor, he cannot do so, as the other Provinces would make the same demand. If the 300 are enlisted indiscriminately they could be fed like the regular troops, but posted on the frontiers and not take the field. How provisions, arms, &c., are to be supplied. Croghan's grant is not valid; it is said that no Indian grants are valid, unless made by the King's consent and approbation. Concerning funds for recruiting, &c. 395

May 27,
Philadelphia.

Bouquet to Gage. Has informed Lieut. Potts that his resignation of the adjutancy in favour of Burnet has been accepted, giving him the offer of a purchase in the battalion. Business respecting promotions. Delay of the contractors to settle accounts. The steps taken to prevent delays on the part of contractors such as occurred last year. Suggests that a pardon be offered to deserters who shall return; this might procure some of the old soldiers each of whom, for actual service, is worth three recruits. The want of bateaux at Fort Pitt for transporting men, stores, &c. The difficulty of land transport owing to the state of the roads. Has no satisfactory information of the navigation of the Ohio below Fort Pitt. Generally from the middle of March to the beginning of July and after heavy rains, the navigation is good, and without portage, but when the water is low a portage is needed at the rapids. Above the fort to Venango and LeBœuf boats cannot go by water unless it be middling high, causing eddies, but the navigation against the stream is almost insurmountable if opposed by the Savages. The bad effect on the Indians of any repulse to the troops, however slight. The Indians have evidently bought powder at the French village near Fort Chartres; this will be continued in order to keep the extensive trade of the country in their (French) hands. Sends estimated cost for building bateaux, should they be required. 398

May 31,
Philadelphia.

Same to the same. Yesterday the Governor (of Pennsylvania) assented to the bill for £55,000 currency to complete 1,000 men to act with His Majesty's troops; those for frontier defence are not in the bill, so the Crown will not have to victual them. There is no money in the Treasury to pay the long arrears due to their (the Pennsylvanian) troops, which must be cleared before they can be moved; that operation will take about four weeks. During that time the men wanted can probably be raised, the clothing made and arms repaired, in all which nothing has yet been done. The camp equipage may be sent now from New York. From the delay the season for certain navigation of the Ohio and the smaller rivers — the Muskingum and Scioto — will be lost. The only certain way is to go altogether by land, carrying flour upon horses and driving cattle. The enemy can be attacked either by marching the whole force against the lower Shawanese towns, and then marching against the smaller towns, or by encamping at Fort Pitt and thence harassing the enemy,

1764.

burning their villages and destroying their corn. Points out the advantages and disadvantages of each of the plans proposed. How he could cooperate with Bradstreet, and that Sir William Johnson should send a message with terms of peace by one of the Six Nation Indians, the terms to be equivalent to those granted to the Senecas; if the terms are refused, an attack to be made on both sides. Encloses letter to Sir William Johnson to be read and forwarded. Page 402

May 31,
Philadelphia.

Bouquet to Sir William Johnson. Asks his sentiments concerning the operations against the Indians; and desires as full information as possible of their numbers, the number of troops required, the best method of attacking them, &c. States (giving the distances of each in detail) the different routes that might be followed to the Lower Shawanese town, and a list of the Delaware and Shawanese towns on the Ohio, upon the branches of Muskingum and upon Scioto. He depends on Indians as guides: some one to be sent to manage them; how are they to be fed, &c. ? 405

June 5,
New York.

Gage to Bouquet. Respecting the half-pay officers, &c. Accounts to be closed up; there will be some trouble with Ourry's, as articles belonging to all departments are mixed together. Respecting medicine, arms, &c. Thanks for the information about the navigation of the Ohio. There is no doubt the Delawares and Shawanese have been supplied from the Illinois and have endeavoured to stir up other Savages. The French will underhand give all the trouble they can, to keep the trade of the Illinois in their own hands. Conjecture as to the murderers whom he believes to be Susquehannas. Discusses the different plans for annoying the enemy, (the Indians); Bradstreet should cooperate with him, but the distance prevents full communication between them. Bradstreet might be informed of the time of moving so that he could join. Sir William Johnson is too far off to consider the terms of peace; that must be done by himself (Bouquet). Return of the date of reduction, &c., in the battalion, &c. The trial of Hicks to proceed. 409

June 7,
New York.

Same to the same. Accounts sent back for correction, &c. 413

A note from the Secretary at War attached to this letter is in volume A 6, p. 21.

June 7,
Philadelphia.

Bouquet to Gage. New contract for supplying provisions to the troops in America, the terms. Owing to the distance of the frontier posts, desires to know if they are to come under the terms of the new contract, and what are the arrangements about transport. Has had a meeting with the Governor and Commissioners who are to raise 300 men for frontier service which are not to be victualled by him, not being voted for the King's service. They (the Governor, &c.), are to garrison Fort Augusta and to give him 950 men including a troop of 50 light horse equipped by them, and are to send for 50 bloodhounds to be used against Indian scalping parties, so as to deter them from that kind of war. Has received his (Gage's) letters and shall send returns. How pay lists have been made up. Expects the rest of the battalion from Detroit, when order will be established (in respect to the position of the officers), which is now impossible in the present state of dispersion. Respecting deserters; the trial of Hicks, whose life may be spared so that he may serve as a guide. Quiet at Fort Pitt; more scalping on the frontiers, particularly at Bedford and Ligonier. 415

June 9,
Philadelphia.

Same to the same. Sends lists of the officers of the first battalion of the Royal Americans, reduced on 24th August, 1763, and the alterations to 24th May last. Remarks on the returns, &c. Has received accounts of new Indian depredations, which he has communicated to the Governor, who is urging haste in completing and equipping the provincial troops. Sends list of officers. 419

1764.
June 10,
New York.

Gage to Bouquet. Remarks on the contract for supplying provisions at Philadelphia; supposes that the contractors will make no scruple of delivering at Carlisle. If they do, the settlement may be left to the Treasury. Is glad he has procured a troop of light cavalry; hopes the Governor and Council will pursue his plan of getting over bloodhounds, and making use of rangers on horseback, which will prevent scalping parties venturing near the frontiers. The means to be adopted for bringing in deserters. Bradstreet has orders to send the men of the battalion, who are now at Detroit to join their corps. Hicks will probably be condemned, but he may be spared if a better use of him can be made. Captains Prevost and Hutchison have left New York to join him (Bouquet). The curious state of Ourry's accounts, which are a medley, the only authority he had to receive or pay money being from General St Clair, his commission from him being invalid, as the General had no power to grant one. June 11th. Returns received. Is sorry to hear of the shocking murders on the frontiers. Page 425

June 15,
Philadelphia.

Bouquet to Gage. No advice being received of the new contract, presumes they must act on the old; has consequently ordered Plumsted and Franks to form a magazine at Fort Loudoun, 43 miles beyond Carlisle. His suggestions as to the supply of fresh provisions; how transport can be provided, &c., for Fort Pitt. 423

June 17,
New York.

Amnesty offered by Gage to deserters from the first battalion Royal Americans. 423

June 20,
New York.

Gage to Bouquet. Is greatly concerned at the horrid murders committed on the frontiers of Pennsylvania and Virginia. The Virginians have resolved to abandon their posts and close towards the settled country, but the Indians will find out these settled frontiers; they seem well supplied with ammunition. Respecting unauthorised contracts made by Monckton, and how he is to act regarding them when fresh meat is wanted. Is at present busy getting vessels off for the Floridas. 429

June 21,
Philadelphia.

Bouquet to Gage. The delays in furnishing money and men by the Government of Pennsylvania. The delay having lost the advantage of cooperating with Bradstreet it become of less consequence to wait a little longer, as they could not without great risk and difficulty penetrate in summer beyond the Ohio where there are no roads. In the beginning of October, the leaves and weeds decay and the woods are more open. Hopes to do all that can be expected, that is to go to the Lower Shawanese Town. Bradstreet will be near his return by October, and on the first of that month he might make a diversion from Erie. A number of volunteers from Virginia would join if allowed provisions and ammunition. Should Governor Fauquier be asked for his approval, before their offer is accepted, or might he dispense with that and invite them to join him at Fort Pitt on the 1st of October? He will have with drivers, &c., about 2000 persons to feed, requiring 3000 pack horses to carry six months flour, besides a year's provisions to be left at each fort. The ammunition, stores, baggage, 1600 beeves, &c., must be divided, it being impossible through such a country and roads to march the whole together. His arrangement for convoys. Has, he hopes, settled accounts with the contractors, in which he has made considerable deductions. Their large claims for losses of provisions on the road are referred to the Treasury. A copy of the new contract has been sent, unsigned; point out defects in its terms, and states the arrangements he has made for carrying out the new contract. Has employed a clerk. Orders for recruiting in Great Britain complied with, and Lieut. Shaw appointed. Asks leave to grant brevets for Majors during the campaign. Clothing for the 55th arrived damaged. Rations, &c. 432

1764.
June 22,
New York. Gage to Bouquet. Further respecting contracts for fresh beef, &c. Page 437
- June 23,
Philadelphia. Bouquet to Gage. Letters received. No detriment can arise to the Crown from former delays about the new contract. 439
- June 29,
New York. Gage to Bouquet. Respecting the settlement of contractors' accounts. Ourry's are being divided according to the department to which they belong. How the accounts are to be settled. Hopes Captain Ourry and Colonel Robertson will soon be with him (Bouquet). He will gain nothing by applying to the Government of Virginia, it will end in calling a council, which will talk of nothing but law and advise every thing to disappoint him. The best way is to get as many volunteers as possible, and say nothing about it as there is no need to ask permission to take volunteers. Captain Fraser's promotion sent; brevets for majors to be filled up during the campaign. 440
- July 4,
New York. Same to the same. Is sending this by Captain Ourry. Respecting accounts. Warrants for batt and forage will be sent, but he (Bouquet) is to be paid separately for rations as Brigadier with the rest of the staff. How the other accounts, &c., are to be settled. 442
- July 5,
New York. Same to the same. Has received report of survey on the clothing of the 55th regiment. Hopes the Indians will not remain so long with Sir William Johnson as to prevent them from giving him (Bouquet) assistance. Will write Sir William for he (Bouquet) must have faithful Indians as well as other assistance. Hopes he can persuade the Virginian and frontier men of Maryland and Pennsylvania to join. Mr. McKee and other Indian officers, &c., are to look to Sir William Johnson for their pay. McKee and the others with him (Bouquet) may send their accounts direct, so as to save time in drawing out warrants. Is tired of accounts, which hinder other necessary work. 444
- July 5,
New York. Same to the same. Asks him to advise with Lieut. Colonel Robertson relative to the better carrying on of the Quartermaster General's Department at Fort Pitt, so that the country people may be paid without delay. Remarks on accounts for postage, expresses, transport of baggage, &c. Regulations to be made for transport. How works are to be carried on at the forts, and rules to be laid down for everything done in his district. Sends accounts for loss of necessaries in the action of August last to be settled in accordance with Amherst's letter. 446
- July 10,
New York. Same to the same. Two blank commissions for majors and one for lieutenant colonel sent; the last only to be used on an emergency. The care to be taken in having provisions inspected and the prices to be paid. 449
- July 18,
New York. Same to the same. The quick return of Lieut. Colonel Robertson from Philadelphia; the arrangements for the Quarter Master General's Department. Has written to Sir William Johnson to procure a body of Indians, and to Bradstreet to make in October a diversion in his (Bouquet's) favour. Gladwin is of opinion that there can be no peace unless a stroke is made on some of the tribes in arms. An artillery man has been scalped on the carrying place. Is sorry that there should be a doubt of his having 1,000 men for the proposed attack; volunteers should be encouraged; has given his reasons for not writing the Governor on that head; Mr. Fauquier's letter showed the backwardness of the Council to afford assistance. It appears that the Governor can do nothing without the Council, and the Council will do nothing but thwart the Governors, there is no occasion to ask leave to get volunteers, and he shall not be the better for doing it. Has no doubt that Franks will use every chicanery to get his demands paid. Concerning provisions, money, &c. 451

1764.
August 2,
New York.

Gage to Lieut. Potts, that he should have considered before he resigned his Adjutancy, and had plenty of time to consider before his successor's commission was signed. Half pay officers cannot be allowed to go on this campaign and draw full pay. If he is inclined to serve on his half pay and Bouquet approves, he shall have no objections and shall reinstate him in the army when an opportunity shall offer. Page 454

August 3,
New York.

Same to Bouquet. Letters received. Arrangements respecting certain officers, for the service with Bouquet in the approaching campaign. The staff for America being made up in London. No change in the government of Quebec. 455

August 16,
Philadelphia.

Governor Penn to the same. The commissioners have complied with his request, though it was considered unreasonable, no such claim having been made for any previous campaign and the musters at Lancaster and Carlisle showing that the battalions wanted only 28 men for whom commissions and money had been left with him. It was, therefore, expected that he would supply the deficiency without further charge to the Government (of Pennsylvania), but the desertion had induced them to come into his measures. Steps taken to prevent desertion. Medicines shall be sent up. He is empowered to draw for the sum allowed by the commissioners to complete the troops. Returns received from Colonel Francia. Wishes for his success, &c. 456

August 18,
New York.

Gage to the same. Letters received. Decrease of provincial troops from desertion, &c. Hopes recruiting will be successful. The blamable conduct of Col. Stephen has been represented to Mr. Fauquier, as he has been obstructing the public service. The good character of Colonel Lewis. His (Bouquet's) powers in respect to courts martial. About 1,600 Indians were at Niagara; the risk if they were ill disposed, kept Bradstreet too long upon the carrying place, the Chennussees (Chennusio) not there, but ultimately made a new peace and came in with their families and all their prisoners; they have brought in the Delawares to make their peace also. Except the Hurons, some Mississaugas and some Chippewas, none of the tribes sent deputies who had borne arms in hostility. During the Congress the Wyandots, Ottawas and Pottawatomies had sent in their prisoners to Detroit and saved themselves from being attacked. Bradstreet has orders us to make a formal peace with these nations or to fall on them; the Shawanese and Delawares have sent in a challenge, and he has been ordered to march and attack the nations on the Scioto at the time fixed by him (Bouquet). Trusts that between them these barbarians will pay dearly for their massacres. Bradstreet left for Detroit on the 6th with about 500 Indians. Sir William Johnson has been desired to send Indians to him (Bouquet). The Cherokees have sent out a few parties against the Shawanese; they might be more useful, but that they are on the eve of war with the Creeks. Lieut. Governor Ball is informed of the plans of the French to bring provisions up the Ohio; the Cherokees to be got to intercept them. 458

August 27,
New York.

Same to the same. Has received report of court martial, which he returns approved; if there is any room for mercy it is to be exercised. Is glad to hear that Colonel Reid has marched from Fort Loudoun, and that there is a good prospect of beginning the expedition at the time appointed. The Shawanese and Delawares must feel the weight of resentment or no peace can be expected. He is to listen to no proposal for peace unless the promoters of the war are given into his hands to be put to death. No answer has yet been received from Sir William Johnson respecting Indians for Fort Pitt. Holland has arrived at Quebec and brought Murray's commission as governor; those for the lieutenant governors are not yet arrived. 461

1764.
September 2,
New York. Gage to Lieut. Potts. Is astonished at receiving articles of a peace concluded between Bradstreet and the Shawanese and Delawares, without obtaining any satisfaction for the cruelties these barbarians have been guilty of, and serving only as the basis for future massacres. Sends answer to Bradstreet, which is to be got into his hands by some means. It will show his (Gage's) opinion of the peace. He annuls and disapproves it. "Attack and use every means to extirpate the Delawares and Shawanese, and listen to no terms till they deliver the promoters of the war into your hands to be put to death, and send their deputies to Sir William Johnson to sue for peace." He may write Bradstreet about the mutual assistance they can give each other. Presumes Bradstreet is at Sandusky, as he has given the Savages 25 days to bring all the prisoners there. Page 463
- September 15,
New York. Same to the same. Finds by his letter just received, that the villains who have been amusing Bradstreet with overtures of peace on the side of Lake Erie, have been committing murders on the frontier with their usual cruelty. The deputies could not have represented the nations they pretended; they would have been furnished with more belts and gone to the Congress at Niagara. The bad effect of granting them a peace on the first asking. All the nations must be informed of the treachery of the Shawanese and Delawares as the reason for proceeding against them. Letters sent to be forwarded to Bradstreet with the same instructions. Sir William Johnson has sent a party of Mohawks to be joined by others, to meet him (Bouquet) at Fort Pitt. His desire is for peace and such satisfaction given as will ensure its duration. 465
- September 15,
New York. Same to the same. The villains who have been amusing Bradstreet with overtures of peace on the side of Lake Erie, are still committing murders on the frontiers. The transaction seems only intended to deceive Bradstreet; they were certainly never deputed by their tribes, or they would have been better provided with belts and gone to General Congress at Niagara. Care must be taken not to be accused of an infraction of the peace granted, should they, contrary to his expectation, deliver up their prisoners at Sandusky, as they have already broken it by their continued massacres, and of this the other nations must be informed. Sir William Johnson will do this to the nations near him, and he (Bouquet) must let the others know of the infidelity of the Shawanese and Delawares and that such cannot deceive; that this is the reason of proceeding against them till they make satisfaction. Sends letters for Bradstreet to be forwarded. Sir William Johnson has sent Mohawks to be joined by others from Susquehanna to meet him (Bouquet) at Fort Pitt. He desires peace and such satisfaction as shall ensure its duration and trusts he (Bouquet) will do all that can contribute to this end. 467
- September 25,
New York. Same to the same. Has received letters with affidavits against Stephen which are very strong. Bradstreet met going up the Ohio; he has not yet finished with the Shawanese and Delawares, who are never in a hurry to give up prisoners even when sincere. Nothing but fear will bring them to reason, and if they find they can amuse Bradstreet they will do so till it is too late to act and then insult him and begin their horrid murders. Nothing but fear will prevent this, and is happy that he (Bouquet) is in a position to march against them. Only when they see they can be punished can they be made to keep the peace. Movements of troops. Six companies of his (Bouquet's) battalion must be placed this winter at Albany; 8 companies of the Royal Highland Regiment are to be left at Pittsburgh and on that communication. 469
- October 1,
New York. Same to the same. Letter of the 16th received. The villainies of the perfidious savages are endless; the other Indians, especially the Hurons

1764.

of Detroit, know the necessity of punishing them. The Six Nations are jealous of the power of the Shawanese and Delawares who have defied them, and are all of opinion that the Indians of Presqu'Isle had no authority to make peace. If the letter to Bradstreet cannot be forwarded by Bouquet, hopes that the duplicate by Oswego may reach him. Page 472

October 3,
Fort Pitt.

Bouquet to Gage. The army crossed the Ohio yesterday. Two Six Nation Indians—an Onondago and an Oneida—have arrived and delivered two strings of wampum and three belts. Sends their speech and answer. Will not be amused with doubtful promises, but will proceed with the army to Tuscarawas, where he expects an answer from Bradstreet. If the Delawares and Shawanese refuse to deliver the promoters of the war, he shall attack them. Three Indians seen at Fort Ligonier; one who spoke in German after hearing that there was a party on the road, disappeared in the woods with the others. At night he came to the Fort; said his name was Robert Fette, that he had been six years a prisoner, and that the native with whom he lived had made peace with Sir William Johnson, but had come to steal the horses from Ligonier, and that he had taken the opportunity to escape. Believes he is a spy. Whether or not, it is a breach of the peace that he, as a white man, was not delivered up. Dispatches sent to Bradstreet. There are with him (Bouquet) 243 Virginians, officers included. Hay to command this post. 473

October 15,
New York.

Gage to Bouquet. His satisfaction that the forces and provisions had been collected at Fort Pitt. The Delawares with whom he had the conference were no doubt sent to watch his motions and others to watch those of Bradstreet. Nothing could be better than the manner he treated with them, and unless they have seized Bradstreet's party, which he (Gage) always suspected, he should be heard from soon. He was to leave Detroit on the 14th and be at Sandusky on the 17th, to meet the Shawanese and Delawares with their prisoners. He had made peace with all the Ottawas &c, around Detroit, sent a detachment to Michillimackimack and Captain Morris of the 17th regiment to the Illinois, who passed the Miamis at the danger of his life, but was protected by Pontiac, who is absolute and had collected all the Indians of the Wabash, who dispersed on finding peace had been made. Pontiac was to meet Bradstreet at Sandusky. If expresses went there it is odd they did not see the Indians, who were to be there by the 8th of September with their prisoners. It is another suspicious circumstance. Is pleased that he is in a condition to reduce the Savages to reason, whether Bradstreet can give assistance or not. If the promoters of the war are given up they are to be sent to Philadelphia or some place near the frontiers, where they can be secured till matters are settled with their nations, unless there are good reasons why some of them should suffer at once; in that case a platoon must be ordered to shoot them without ceremony. Approves of material being collected for bateaux. Fort Massiac was to be relieved by the Mississippi. Fort Vincennes reported to be abandoned, but this is contradicted; necessity for the free navigation of the Ohio, Bradstreet had neglected this, which shows that business of this kind should be left with those who have had experience of Indian affairs; recent mischief done by Indians on the borders of Virginia. The evidence against Hicks not plain; he and his brother must be sent down to be tried by the civil magistrates. Spies may be hanged in time of war by the military, but rebels taken in arms are to be tried by the courts. Joseph

1764.

Thomas may be respited, if there is room for mercy, and a pardon shall be sent. Page 475

October 21,
New York.

Gage to Bouquet. Is satisfied with his answer to the speech of the Onandagos and Oneidas. They were no doubt sent by Bradstreet amongst the Delawares and Shawanese at Presqu'Isle, and knew nothing of the murders. It is reported that Bradstreet has returned to Niagara; if so he (Bouquet) will be left without his support. How he is to act should the Shawanese, &c., really desire peace, but they must finish properly with Sir William Johnson. Bradstreet was to have been at Sandusky on the 17th. He must have made haste to get in all his prisoners if any were delivered, which is doubtful. If he finds the chiefs resolute not to grant the conditions but to continue the war, he may relax on the entreaty of the friendly Indians and get as good a peace as he can, if assured of their sincerity and real desire for peace. 479

November 9,
New York.

Same to the same. Captain Morris stopped at the Miamis on his way to the Illinois, by the intrigues of the Shawanese, Delawares and Senecas. Expects to hear that he (Bouquet) has either attacked, or been attacked by the Indians. If a peace be made a proper officer should be sent with some of the Shawanese and Delawares to inform the Savages on the Wabash, that peace has been made and to do the same on the Illinois, to all of whom they should recommend an alliance. The same to be done to the Arkansas and other tribes on the Mississippi. To watch the motions of St. Ange, commander of the Illinois, as well as those of the other commandants, who are greatly to be suspected. The officer, if he can go down the river in safety, may proceed to the Mobile to inform the commander there of every thing necessary. Other Indians to be notified, &c. No chaplain returned for the 1st battalion; to look out for a clergyman to officiate. 481

November 11,
New York.

Same to the same. Is pleased to find by letter of the 21st October, that he had reached Tuscarawas safely, in a march of so much difficulty, and that he had so good a prospect of bringing these obstinate nations to terms. No place is so proper to make peace as the centre of their towns, where they boasted they could not be got at. The importance of the possession of the Illinois. The Shawanese and Delawares must do this. Knows of no tribes below the Ohio who are hostile except the Arkansas. If quiet possession and reconciliation with the Indians of the Illinois are secured, every thing below will soon be quieted. He can either send an officer only, or a detachment to relieve the French and send their garrison to New Orleans. To ascertain what time the Shawanese sent to the Miamis to stop the English going to the Illinois, &c. 483

November 29,
Fort Pitt.

Orders by Bouquet, commanding the Southern District, for the regulation of trade in consequence of the cessation of arms granted to the Mingoes, Wyandots, Delawares and Shawanese, till a definitive treaty of peace be concluded. 485

December 7,
New York.

Gage to Bouquet. Letters from the Muskingum dated 15th ult., received. The peace he has made does great honour to himself (Bouquet) and must give the greatest satisfaction to His Majesty and every one. Nothing but the bold steps he took could have secured a serious peace. Returns court martial proceedings approved of. Sends a pardon for Joseph Thomas of the Pennsylvania regiment; will recommend John Lewis for an ensigny. Proceedings at the conferences with the Indians sent to Sir William Johnson so that he may be fully acquainted with them when he meets the Indian deputies. It was reported that Pontiac had lost his influence, but Captain Morris found he had as much as ever, and he had not come in being afraid to trust himself; he should if possible be brought over. The Miamis or Twightwees, Indians of Wabash

1764.

and the Illinois, though not openly in arms are hostile, and Pontiac can manage them as he please. The peace may soften these nations, and a particular belt sent to Pontiac to notify him of this and to take him into favour may advance the service. If he were got to Fort Pitt or Detroit he might be useful. Is afraid the season is too late and the difficulties too great to permit of his (Bouquet's) plan for taking possession of the Illinois by land, the only method is by water. The French are working adversely as privately and as much as possible, of which he had ample proof. To thank Colonel Reid for the assistance given during the campaign.

Page 487

December 20,
New York.

Gage to Bouquet. Has his letter of the 30th November and 3rd instant. The conduct of the Shawanese suspicious; wishes the parties sent to their villages for the prisoners were returned. No doubt he (Bouquet) was the best judge of the prudence of sending an officer with belts for the several nations. The surest way to take possession of the Illinois is to go with a body of troops strong enough to force compliance, but there are not troops to send sufficient to do this with. The delivery of the country has been settled by the two courts and the French declared the Indians satisfied till stirred up by Pontiac, and by the Shawanese and Delawares who had succeeded in getting them to stop Morris on his way to the Illinois. The date of the arrival at the Miamis of the Indians, and of Morris, is proof that every road was secured leading to the Illinois. Further discusses the means of communication with the Illinois, but if the Shawanese &c. are sincere they can easily conduct a person there, so that the consent of the tribes could be asked for taking possession, so as to prevent umbrage at taking possession of the posts formerly held by the French, who no doubt are endeavoring to prevent entrance into that country. A person might go in safely with a belt and proper message, but should the Indians refuse an alliance, then it would be settled that only force would succeed. The raising of the force was another question. He (Bouquet) has seen what the Provinces will, or rather will not, do, when the enemy is at their doors. What can be expected of them for operations at a distance? Plans for taking possession; the good policy of gaining Pontiac, who, with the Shawanese and Delawares, could put them in possession of the Illinois whenever he pleased. If the Shawanese are deceiving he (Bouquet) must either force his way or give up all thoughts of it. Presumes he had sent news of the peace to Lieut. Colonel Campbell at Detroit. If the Arkansas nation could be gained, there would be no enemy from the Ohio to the Iberville. The Illinois above the Ohio and their allies have been spirited up, but have never been at war, and they may be pacified without trouble. Respecting money matters. Hopes Virginia will pay their militia, who had volunteered and done good service. If the smallest hopes are entertained of the King paying them Virginia will not. Respecting the purchase of commissions. Respecting Haldimand's position in Canada, &c. To send information about the James River. 491

December 24,
New York.

Same to the same. Should be glad if he found a proper officer to send to the Illinois. Croghan, who is here would be sent with him. The rank of the officer is immaterial, but he must be intelligent and speak French. The arrangements he is making for the mission. 499

December 30,
New York.

Same to the same. Has accepted the offer of Lieutenant Fraser to be employed on the Illinois. He is to leave with Croghan for Fort Pitt in two days. He is to arrange for supplies for them. Arrival of Mr. Mallet; Colonel Reid expected. Hopes the payment for waggons and horses at Fort Loudoun has been made. 500

Memorandum of the time it will take to build 40 bateaux at Pittsburgb, the cost, &c. 383 384

1765.

January 7,
London.

Stanwix to Bouquet. Has presented the memorial from Potts. The Secretary at War says the matters set forth should have been settled in America or at least the services certified. Page 501

February 6,
New York.

Gage to the same. Respecting the conflicting claims of the contractors for supplying provisions. 502

February 22,
New York.

Same to the same. Asks for a return of the lieutenants in the first battalion who will purchase companies and of ensigns who will purchase lieutenancies. Captain Harry Gordon to be sent to New York. 504

February 26,
New York.

Same to the same. Murray's message to the Shawanese it is to be hoped will bring them in, but if the people of the frontiers continue to kill every defenceless Indian they meet, it will be to little purpose to confer with the Indians. A strict investigation must be made into the infamous action reported. Later news from Detroit; does not give much credit to various stories sent. Believes the deputies of the Delawares are now with Sir William Johnson having been delayed by deep snow. Is sorry the Assembly of Virginia has refused pay to people who have done more service than all their militia put together; sincerely hopes the same thing will not happen in the other governments. The orders from the Treasury leave him at a loss how to carry on the service. Besides his other business, there is in part that added of Paymaster General, and no service except for sudden emergencies, can be paid for till approved by the King. The only way he can see to settle with the volunteers from Virginia is that proposed by him (Bouquet) to give them a bounty to equip themselves. Arrangements with contractors. Vouchers, &c., received. Asks him to compute for the War Office, the contingent military expenses for the Department of Pennsylvania in time of peace. 505

March 4,
New York.

Same to the same. Letter, &c., received. His letter gave the first news of Croghan since he left. It is as difficult to keep these people in order as the Indians they deal with, and looks as if Lieutenant Fraser were infected, or he would have written. Governor Sharpe's letter makes it difficult to bring a murderer to justice. Had one of their own inhabitants been murdered, the lawyers would have discovered easier methods. The murderer cannot now be taken and tried by court martial. The matter to be laid before the Governor of Pennsylvania, in whose Province the murder was committed. If it is the cause of the continuance of the war and further broils with the Savages, it will be necessary the King should know what has been done, and what obstructions there are in the Provinces to preserve the common course of justice. Gagy has resigned in favour of Colonel Haldimand's nephew. 508

March 7,
New York.

Same to the same. Letters received, with estimate of military contingencies for the department of Pennsylvania. The favourable disposition of the Shawanese must be encouraged. The expenses must be borne, and it must be plainly told they must either be approved or war begin again. He shall undoubtedly set before the King the scandalous behaviour of Virginia and the generous conduct of the commissioners of Pennsylvania. "The hot spirit of faction which now rages in that Province, I conceive to be the reason why you have met with opposition from persons whose stations should rather have made you expect assistance from them than opposition in so necessary a work. Your personal interest with the commissioners made them willing to give you every support you could reasonably require, and this was sufficient cause for the opposite party to do what they could to prevent it. I conceive it in this light, such proceedings being common in most governments, when party unhappily overcomes all other considerations." Magazines must be established if Fort Pitt or other posts on the Ohio are

1764.

to be maintained. Indian affairs transferred from the military to the Indian Department. Page 510

April 29,
New York.

Bouquet to Stanwix. Nothing can be done about the claims of Lieutenant Potts, for reasons given, but wishes that something could be done for him. 512

CORRESPONDENCE WITH SIR J. ST. CLAIR AND CAPTAIN JAMES SINCLAIR.

1758-1763.

A. 9.

B. M., 21,639.

1758.

May 27,
Winchester.

Sir John St. Clair to Bouquet. General Forbes states in a letter that he had sent 271 tents to Carlisle, had bespoken 200 more and that he (St. Clair) could get some from Bouquet for Washington's people. He is to send, therefore, 114 tents, to be at the mouth of the Conogogie to be met by a detachment to receive them; they are for five companies of 100 men each of Colonel Washington's regiment and a company of artificers (100) of the second Virginian regiment who march from this to strengthen Fort Cumberland, so necessary on this urgent occasion. They will be ordered to march to Shippenburg to be there by the 5th of June; hopes the tents may be there, otherwise they cannot march further. Will try to send a body of Indians with the troops, but cannot depend on them as they are conscious of their bad behaviour in Pennsylvania, so will probably join the army from Fort Cumberland. Expects Byrd with Indians. Governor Sharpe has returned to Maryland; has not been able to determine with him what is to be done with the garrison at Fort Cumberland. The small pox has broken out at Fort Frederic; asks him (Bouquet) to have as little communication with that garrison as possible. Officers absent from it have been ordered not to return there; they are raising companies in Maryland. Over 2,000 Virginian troops he may call complete, the number wanting not being worth mentioning. They are a fine body of men. Inconvenience caused by C. Blair not coming; Washington had to be sent for him. Stevens will march to Shippenburg; provisions to be ready for his division. His (St. Clair's) field equipage shall be sent from Lancaster, to be left at Carlisle till he comes to Shippenburg. Page 1

May 28,
Winchester.

Same to the same. Is pleased to hear of his safe arrival at Carlisle; has sent proposed plan of operations. Washington with his five companies and carpenters will arrive at Shippenburg on the 4th or 5th. The other five companies cannot be sent so soon to Fort Cumberland, as Washington does not return from Williamsburg till the 7th and the five companies have not joined; when four do, and he has tents he shall send them to Fort Cumberland, but they must not stay there from the scarcity of provisions. Is labouring to get Byrd's regiment in order; Basset is ordered to Shippenburg with entrenching tools, which were sent from Fort Frederick when the small pox broke out. The road from Ray's Town to Fort Cumberland may be cut in four days, or, if begun at both ends, in two days; that from Fort Loudoun to Ray's Town will be troublesome. Has men and horses for the troops, arms expected on Saturday; saddles and bridles must come from Philadelphia; hopes to have all in motion by the 9th of June. With Byrd's 57 there are now 280 Indians with him, but he does not expect to take them all out to war. Byrd's regiment is 900 strong; Washington's, 950. The Virginian troops for Pennsylvania are to take directions at Bolla's for the road to Fort Loudoun. 4

1758.

May 31,
Winchester.

Sir John St. Clair to Bouquet. This letter sent by Lt. Colonel Stephen, who is to march with five companies of the first Virginian regiment, of 80 men. The first company of the second regiment of artificers, who are either sick, or not able to march, are left in Fort Loudoun with a careful officer. The scarcity of captains in the first division for reasons given. Tools &c. supplied to the artificers; Washington's five companies will want hatchets; if tents are ready they are fit for service. Powder horns have been stowed away somewhere; scarcity of bayonets. Basset ordered to join him (Bouquet) with entrenching tools. Shall labour hard to equip four more companies of the 2nd Virginians, and send them by companies under Peachy. Byrd cannot be sent as all the Cherokees have resolved never to go to Pennsylvania, as soldiers had taken up arms against them at Captain French's instigation. Shall try to get the Catawbias, to march with or follow Stephen. With nine days preparation it will be sixteen days before the force can reach Fort Cumberland. If the arrangements do not suit, he can send Bouquet more troops. He dare not send them to Fort Cumberland, as they cannot stay owing to scarcity of provisions. What troops he can send. Has had a letter from President Blair stating that he will not dismantle the Governor's house of the King's arms. All that he can infer from the stupid letter is that he wants them in order to make war on the Cherokees. He has asked for a company of veterans (as he calls them) to garrison a Fort in the Cherokee country; shall write him that he may have the 100 men short of the complement of Washington's regiment ordered by the Assembly. Will leave Forbes to settle the affair of the arms; had he known the King had so unworthy a servant he would have taken other steps to secure the arms, but has no time at present. Surely when the arms were sent they were not intended to adorn the Governor's house. Asks for 300 stand of arms to be sent him. (The rest in French). Is impatient by receipt of that accursed (maudite) letter from Blair and at being informed that there are no vehicles so as to enable his people to march to-morrow. The greatest curse that our Lord can pronounce against the greatest sinner is to have to do with Indian allies (sauvages amis) and with the commissioners of the Provinces. Page 7

May 31,
Carlisle.

Bouquet to St Clair. His letters received. Tents shall be sent as requested, but this leaves him without any for Stephen's detachment, which must remain till other tents arrive from Philadelphia. Needs no reinforcement at present, hopes to take post at Ray's Town with the troops he has; it is there he wants a junction made, to save the encumbrance of the march there with waggons &c. The supply for Washington's whole regiment at Fort Cumberland to be sent if possible; they could begin to cut the road and join him at Rea's Town. Arrangements for cover; part of the men in the fort, the rest in tents. Instead of sending them to Shippensburg, they are to be sent to Fort Loudoun in Cumberland county, the commanding officer of the 600 getting directions as to the road from Henry Pollan. There are provisions for them at Fort Stanwix, but none at Shippensburg. Captain Bosomworth goes to Winchester to persuade the Indians to go to Fort Loudoun to receive their presents. If that measure fail, it is a bad situation. The general is sending arms which shall be forwarded. Tools &c. Wants powder and ball. Details of the difficulties of the situation. His satisfaction at the forwardness of his troops of horse. Intends to leave on Monday, but cannot proceed from Lyttleton till he gets arms. 11

June 2,
Carlisle.

Same to the same. Hopes Bosomworth will meet Stevens at Conegoee and direct his march towards Fort Loudoun. Has no tents for these troops; they must make shift for a few days with bark huts. Res-

1758.

pecting tools, powder horns &c. Wishes nothing but the bayonets was wanted, a useless arm in the woods. Bosomworth sent to Winchester to bring the Indians; if they will not come to Loudoun, he must try to get them to Rea's Town. Is uneasy about provisions for the people sent to Fort Cumberland. His intended movements on the road to Rea's Town; expects to be there before his (St. Clair's) troops will be at Fort Cumberland, where they are not to stay, but to begin at once to cut the new road to Rea's Town. Shall supply them with provisions. The rest of the troops he may send by Loudoun, Lyttleton, Juniata and Rea's Town, to be sent as they are ready, but not less than 100 at once. President Blair's letter is the most curious paper he ever heard; although not very pleasant he had laughed heartily at it. He (Bouquet) has a better President, who, with the commissioners had supplied every thing wanted to arm and equip the Pennsylvanian regiment, and is sending 80 light horses. The new levies are on the march to form a chain from Lancaster to Rea's Town, half of them walking with sticks. Only one ration a day allowed to their officers, the same as to the regular officers and the general himself. Muskets expected. No troops in Virginia to be allowed to be sent to the pretended fort among the Cherokees. "It is a mere babble near Fort Loudoun." Respecting communication to be provided by express. There should be facility of communication with Maryland and Virginia, but expects nothing from such people. Other arrangements. Page 15

June 3,
Winchester.

St. Clair to Bouquet. Stephen had gone, but was sent after and will take the 114 tents. In order to carry on the service, there must be a meeting between them (Bouquet and St. Clair). Where he proposes they should meet &c. 20

June 5,
Winchester.

Same to the same. Is glad he is beginning to march, as it will give an opportunity to have an interview with him and Governor Sharp, by which more can be accomplished than in six months writing. Major Lewis is stopped in his march to Augusta Court House by high water; Colonel Washington returns to Williamsburgh on Wednesday. Expects arms from Maryland and tents from Philadelphia. 21

June 6,
Conogogee.

Same to the same. Since he (Bouquet) could not come St. Clair must return to Winchester to put the whole force in motion. If a division is to go by Cumberland it must be sent only on a written order, owing to the danger of delay. Shall send off his corps in divisions; only the want of blankets can stop the march. He shall go to Fort Loudoun and afterwards join him or go to Carlisle as he (Bouquet), may think best for the service &c. 23

June 9,
Winchester.

Same to the same. Supposed details of his (Bouquet's) march; what men he has at Winchester. Arms received from Washington; these with others expected and already here will complete the second regiment. Cannot move without blankets. Arrival of Washington from Williamsburgh, President Blair has been graciously pleased to grant every thing asked for. The officers have been paid batt, forage, and baggage money and Blair has sent the arms from Government House to Fredericksburgh, together with blankets, for which he will send an express so that waggons may be provided for the march of Washington and Byrd's men. Virginians are dissatisfied that the whole army goes through Pennsylvania. In a day or two he shall have 40 men for the 40 light horses. The letter enters into details of the arrangements for and the movements of troops &c. 24

June 11,
Winchester.

Same to the same. Report by John Walker, a guide, of the difficult nature of the country for a road from the Alleghany Ridge to the Great Crossing. The opinion of the Shawanese as to the same road. Ha

1758.

(St. Clair) does not believe time can be spared to open that road and proposes to fall down on Fort Cumberland and go thence to the Great Crossing, after making a blockhouse at the Little Meadow, which will save time. Points out where roads can be made, and asks which he should open. Gives some details of how difficulties may be avoided, and answers supposed objections. Washington's three companies arrived from Augusta; is working hard to get them on their march; their arms are in a most miserable condition. They shall be followed by Byrd's when blankets are ready. Is anxious to meet Bouquet, &c. Walker, the guide, has engaged to bring a company of good woodsmen. Page 29

June 17,
Carlisle.

St. Clair to Bouquet. Letters received; shall try to supply all his wants. Has sent a company of Highlanders to garrison Fort Lyttleton. Cannot send provincials, for to detach them before they are formed would increase the disorder that reigns amongst them to so great a degree. McLean has sent up 100 men of the new levies to Fort Augusta, but no orders for the old garrison to return. Would have called down 100 of Byrd's, leaving 50 of the worst, but learns that there are not 50 fit for service. Shall send up men kept for the horse so that he (Bouquet) may send better men. Gives him joy of the arrival of artillery and stores. 33

June 19.

Thomas Cressup to St. Clair. Has received into his store five loads for which he sends receipts, besides one cask and one dozen saddles not mentioned in the bill. A party of four Indians had attacked a party of 30 or 40 men, half a mile from Fort Cumberland, killed two and wounded two &c. 35

June 22,
Carlisle.

St. Clair to Bouquet. Is glad to hear he is at Juanita; hopes he found Sideling Hill practicable. Has sent 100 Highlanders to Fort Lyttleton, with orders to send on the 100 that were left, in order to join him (Bouquet); shall send more Highlanders to Lyttleton, the number left being insufficient. Royal Americans for Fort Loudoun, where he should like to have a strong garrison, in case it should be called on to assist in opening the new road. Has not countermanded the Virginians on hearing that new road was found practicable and blazed. How he proposes to construct the road. Is sending a commissary to Alexandria to conduct 200 provincials of North Carolina to Fort Frederick. Is told that 100 more are come or coming to Winchester; shall send them off with convoy on the 8th of July. Major Lloyd is idling away his time; nor does he hear if Captain Sharp has done his work. Has sent him (Bouquet) ammunition; more shall be sent if needed, &c. Other details. 36

June 27,
Carlisle.

Same to the same. Waggon's have been sent out to him (Bouquet) as fast as received, except 30 sent to Fort Frederick, loaded with shot and escorted to that place by Captain Joscelyn and 60 men, which he proposes to make up to 100. The rest of the three companies shall be sent to Fort Loudoun as they arrive. Has detained another company of the Highlanders for Fort Lyttleton. Has received report that the road from Fort Frederick to Fort Cumberland is practicable. Governor Sharpe is collecting wood to lay a bridge near Fort Frederick. Movements of engineer and troops; Lieut. Colonel Sharpe is to take the direction of the road. The number has been made up to 500 men. Importance of having the road finished. 38

June 30,
Carlisle.

Same to the same. Is sending off Hambright with a troop of horse, escorting 38 waggon's; the troop is poorly equipped, but the Commissioners will do nothing. Respecting pack horses and saddles. The vile quality of the coals sent out from England. Has sent a commissary to

1758.

look after the forces from Carolina; it is an army in the clouds. He never expected them, "if we had them they are good for nothing."

Page 40

June 30,
Rea's Town.

Bouquet to St Clair (in French). Requests him to relieve all the posts of communication from Loudoun and to join all the companies of the regiment of Pennsylvania. He has only 811 men fit to serve, and he has to build a fort and store houses for the whole army. The delays caused by having to provide a cover for stores, &c. Hoping for the General's arrival, will give no orders to the troops at Cumberland till then, except to open the communication with Rea's Town. The troops from Virginia make a difficulty about working without being paid; has settled that they work like the others for a gill of rum a day. To pay the troops for their work would cost more than three armies could do in Europe. The communication by Fort Frederick or Fort Cumberland is shorter than by Rea's Town; not a moment shall be lost in opening the road approved by the general. Has sent order to Colonel Washington to employ 300 men on this work, including the troops from Maryland who are with him. Further about roads. 42

July 11,
Carlisle.

Sinclair to Bouquet. Has, by Sir John St. Clair's orders, sent iron, steel, etc. Money shall be sent by the next opportunity. 44

July 16,
Carlisle.

Same to the same. General Forbes has sent 100 pack horses loaded with flour to Rea's Town, under the escort of provincials, who are to furnish drivers to that place. The horses are to be distributed on arrival amongst the troops for carrying their baggage. 45

July 19,
Carlisle.

Same to the same. Has sent off to Rea's Town, 18 waggons, loaded with powder, rum, tents, etc. The latter to be sent to Fort Cumberland for Washington and Byrd's regiment, besides light arms for the Indians. The 100 pack horses have been detained at Shippenburg, for want of a party to take charge of them, the provincials having marched. 46

July 20,
Carlisle.

St. Clair to the same. The guides acquainted with the mountains to be sent down to meet the General (Forbes). 47

August 12,
Foot of
Alleghany.

Same to the same. There is not so much of the road done as he expected, but the road is good so far as this, about 18 miles from his (Bouquet's) camp. Sends letter to show what Stephen is doing. He (St. Clair) has begun a redoubt at the Shance cabins, which he hopes is finished. Lieut. Allen will move this way; will mark out a camp for him on the river, at the second rising of the mountain. He is to leave a sergeant and 16 men at his redoubt; many of his officers are sick. The work to be done on the roads is immense; unless he has 200 men more does not know when it will be finished. What tools are wanted. Shall move his camp two miles up the gap to-morrow. Has to lay out redoubts. 48

August 12,
Alleghany.

Same to the same. Had met Colonel Stephen and Captain Field, who promised to meet him on Thursday on the top of the mountain, but he does not expect to finish the digging up the gap by that time. Wants men and tools; it is a diabolical work and whiskey must be had. It will take 500 men five days to cut to the top of the mountain, besides the guards and covering parties. By meeting Stephen, he had prevented him sending a strong party to the Laurel Ridges. Asks, for God's sake, that Armstrong's post may be reinforced, or he may be cut off. Provisions to be sent in waggons as the horses cannot get up the hill. 50

August 16,
Alleghany
Mountain.

Same to the same. Captain McKenzie arrived with 200 men, bringing flour; he has marched leaving the waggons behind. Will send Armstrong tools and ammunition; shall construct a redoubt on the plain between the two ridges where Allen is posted. Describes the difficulties of the road, and the manner in which the work is laid out. The enemies are all

1756.

round in parties of six and ten ; cannot say how long they will remain but he shall be careful. Details follow of what is doing at the posts, &c.

www.libtool.com.cn

Page 51

August 17,
Alleghany
Hill.

St. Clair to Bouquet. Letter received. Rhor sent off as ordered ; to report direct to Bouquet. Loyal Hannan suited for a fort. Had there been accounts of another gap in Laurel Ridge he would have reconnoitred it. Is detained here by Stephen having sent off troops. Asks for an explanation of certain orders. 54

August 20,
Fort Dewart.

Same to the same. The smoke seen was from Field's camp to Stephen's spring ; it is impossible to get a direct road to it, as rocks and deep swamps intervene. Has cut the road round the ascent he rode up yesterday. He may send on the A—y (Artillery). Parties have returned from the French fort but he has not seen their reports. 55

August 23,
Rea's Town.

Bouquet to St. Clair. Colonel Byrd and Major Grant march to-day for L. H. (Loyal Hannan). The Troops to be sent, these given in detail, with arrangements for their distribution &c. Urges him to push on the road to Loyal Hannan as fast as possible, as several things are wanted which cannot be carried by horses. The nature of the road to be made for the advance of troops &c 57

August 23,
Stony Creek.

St. Clair to Bouquet. Arrival of waggons by the road, which is not so good as he shall make it. The more he sees of Edmund's swamp, the less he likes it. Its distance is too small from Dewart, so thinks of placing the redoubts near here. Details of detachments and their duties. Is at a loss for a Commisary, the one sent is sick at Dewart, and seems to have broken his steel yards. The men crying out for salt. 60

August 23,
Kikoney
Pawlinga.

Same to the same. Received his letter whilst clearing ground for a redoubt three miles beyond Edmund's swamp. His arrangements consequent on the sending of the artillery, and the manner in which the roads are being made. Armstrong is sick at Dewart ; Hamilton is guarding the flying magazine at Edmund's swamp and Jameson at the redoubt now erecting. Further about the roads. 62

August 23,
Edmund's
Swamp.

Same to the same. The road is so far good, and but for the rain was in hopes to have it opened to Kikoney Pawling. What weight the waggons may carry. Positions of the different detachments. Progress of the roads, &c. 65

August 27,
Rea's Town.

Bouquet to St. Clair. Is disappointed that the road is not open by the foot of Laurel Hill ; had sent the artillery and apprehends it will be stopped on the way to Loyal Hannan, which will be destruction to the little grass he (St. Clair) may have. He never intended all Armstrong's battalion for the redoubts ; 25 in each are enough ; the rest to push forward the road. The chief thing is the road for which explicit orders are given. The light horse to be placed at proper stages to carry the letters. To keep every one astir to make amends for the unaccountable slowness. 67

August 27,
Kikoney
Pawlinga.

St. Clair to Bouquet. The road out half way to the foot of the ridge ; the troops are moving their camp, except 200 to guard this post. The Artillery was last night at Edmund's Swamp ; is impatient, for the arrival of Major Grant and Colonel Byrd. Extraordinary conduct of Colonel Stephen ; has confined him for mutiny, so that the Virginians are now under Lewis. Was afraid of a general mutiny. He has attempted to send him to Rea's Town, but he refused to go after being arrested and as he (St. Clair) had not sufficient strength to seize him among his own men, was obliged to let him have his own way to save bloodshed. The proceedings have not much retarded the service. He has no pack horses. Is sending for horse shoes for the Virginians ; when the artillery comes he shall do his best to get it over the ridge. 68

1758.
August 28. Bouquet to St. Clair. The cause of Colonel Stephen being arrested; is afraid there must have been some heat between them and that he will have a good deal to do to justify the arrest of an officer of his rank commanding a corps. As Quarter Master General he has no right to command, and it would be best for him to make up the matter. Sends copy of letter from Stephen, on which he shall make no report till he hears further. The orders are to preserve harmony with the provincials; thinks he had better report the case direct to the General. Page 74
- September 9,
Loyal Hannan. Same to Sinclair. The road is a most infernal one; the pack horses are in a bad condition; is uneasy about subsistence for the troops, unless fresh waggons and better drivers are got. To review all the pack horses himself; discharge all unfit and form the rest into brigades. Regulation of carriage of regimental baggage. Orders respecting pack horses, waggons, &c. 73
- September 18,
Rea's Town. Sinclair to Bouquet. Has sent off a brigade of 22 waggons, loaded with pork, corn and oats, and one with whiskey, besides 80 pack horses with flour. Is in hopes of getting another supply of provisions from below. Asks for instructions as to sending pork and forage up the country. 75
- September 14,
Rea's Town. Same to the same. Letters received and will comply with orders. Only 50 pack horses here; has demanded 100 from the artillery with a driver for every four, which shall be sent off with flour; two waggons shall be sent with iron, flints, salt and spirits. Arrangements about bullocks. Upwards of 200 waggons sent to Carlisle and only one brigade returned. Clark has gone down to hurry them on, and will also order up bullocks. Explains the cause of short weight in flour. 76
- September 15,
Rea's Town. Same to commanding officer at Loyal Hannan. Advising that 100 bullocks, 200 sheep and 169 horses have been sent. 80
- September 20,
Rea's Town. Same to Bouquet. Will do every thing in his power to put Callender's return right and to prevent imposition. General Forbes has doubtless informed him (Bouquet) that he expects large supplies. A convoy expected and no time shall be lost in forwarding pork, &c. Has sent 114 horses with flour. 81
- October 13,
Rea's Town. Same to the same. Shall supply Captain Field with forage; sent off 170 horses with flour and hopes, therefore, there was no want at Stony Creek. Has sent to-day 45 waggons with flour, &c. The waggons sent are from Lancaster, under agreement to carry by the hundred weight to this place, but they were prevailed on to go on to Loyal Hannan at fifteen shillings a day. Sir John (St. Clair) returned from Philadelphia. Many waggons on the road. A division of artillery marches to-morrow; hopes all may soon follow. 83
- October 15,
Rea's Town. Same to the same. The brigade of waggons sent on the 13th were detained at two miles distance by heavy rain. Three more waggons are sent to join the brigade. 85
- October 18,
Rea's Town. Same to the same. Hopes to be able to send off a brigade of waggons every day whilst the General stays and the weather continues favourable. Details of waggons, with their loads, sent and to be sent. 86
1759.
January 9,
Carlisle. Same to the same. Is taking steps to supply the troops up the country. Has advertised in various places (named) for flour at four pounds Pennsylvania currency a hundred, delivered at Pittsburg. Arrangements for payment, and other details; Callender sent off to Frederick county, Maryland to obtain horses. Captain MoPherson has arrived with 100 good store horses from Lancaster; will send off two Brigades with oats to Rea's Town. Has sent to Lancaster for waggons to carry to Fort Bedford &c. The General with his retinue set off to-day. Has just received a letter that he (Bouquet) is coming to Fort Bedford. 88

1759.
July 27,
Ft. Lyttleton. Bouquet to Sinclair. Articles wanted at Fort Bedford, to be provided. (List follows, and also a list of tools for the roads at different points.)
www.libtool.com.cn Page 92
- July 28,
Carlisle. Sinclair to Bouquet. Has sent to Bedford for shot pouches &c. Returns of provisions in store are sent. Scarcity of waggons on account of the harvest. Hoops has sent off 140 head of cattle. Hambright arrived with pack horses; drivers wanted; expects that when the harvest is over plenty can be had. 94
- July 30,
Carlisle. Same to the same. Has sent for the articles wanted at Bedford. This morning 28 fine teams started for Bedford; they arrived from Lancaster and completed their loads in two hours. Those from Bucks county and Chester have been here for three days and cannot be got off, as the belief of the drivers is that they came by the day; these are the worst teams and have come without forage. Asks instruction about forwarding other supplies &c., and whether the Crown or the Provinces are to be charged for certain expenses. 96
- August 4,
Carlisle. Same to the same. Sends agreeable news from the northward. Has sent off Captain Hambright according to orders. As to forage he had taken steps for a supply, sending out advertisements &c. The arrangements for payment. Has a plan of drawing supplies from Maryland for which £1,000 would be of great service. Minute details respecting waggon service, and the most convenient way of settling their accounts. The difficulty of getting drivers for pack horses raised in Chester County; how the arrangement should have been made. Has kept the last brigade of waggons waiting for the bateau men. Has ordered the company raised by Stevens to come here for arms. What waggons have been sent and are now ready. 100
- August 8,
Fort Bedford. Bouquet to Sinclair. Is obliged for his activity and the forwardness of every branch of his department. How the impressed waggons are to be paid for, and the allowances. The letter is entirely taken up with arrangements for transport &c. 106
- August 9,
Carlisle. Sinclair to Bouquet. Good news flows in apace; reported success at Niagara, and reception of those who had tried to disturb the peace at Pittsburgh. Letters from Amherst forwarded. Arrival of Stevens' company of bateau men, who have been supplied with arms, ammunition and subsistence. Their demands for bounty; those of them teaming are to receive extra pay. Details of transport service &c. 112
- August 12,
Carlisle. Same to the same. His satisfaction at his conduct being approved. Has sent in pressing terms to the different counties for forage; believes that enough can be got in about ten days. His instructions to Colonel Pratter respecting forage; has sent him £500; Pratter is to concert measures for the service with Long. The backwardness of the people in sending waggons after the harvest; has advised Hoops to go and use his influence. Details respecting the procuring of forage, transport, &c. The papers show that de Lignerie had fallen into his own snare &c. 115
- August 13,
Fort Bedford. General Forbes to the Governor. Calls attention to the want of carriages as promised. The county of Lancaster is the most backward, and sends only waggons and horses unfit for the service, this is attributed to the influence of the Quakers, whom the magistrates seemed unwilling to disoblige. Unless spurred by the fear of his displeasure, is afraid they will not exert themselves. Being stopped in his march for want of waggons is obliged to have recourse to him and has sent a circular to the managers in the different counties. The necessity for supplies of food, clothing &c., which requires every exertion to supply. Asks for two companies of shipwrights &c. to build vessels on Lake Erie. 121

1759.

August 13,
Fort Bedford.

Bouquet to Sinclair. Agreeable news from every quarter but his own, which will be eternally lame for want of carriages. The General has written to all the managers and applied to the Governor. The reduction in the forage requires a fresh supply. Is glad he has dispatched the bateau men; all his engagements with them shall be fulfilled; need of drivers, &c.

Page 123

August 17,
Fort Bedford.

Same to the same. The General approves of his measures, and of the diligence he has used. Sends back warrant from Pratter. If assistance does not come from Maryland and Virginia there will be disappointment from Philadelphia. Horses wanted; there should be 1100 effective. The letter relates entirely to the means for procuring supplies, waggons, &c.

125.

August 19,
Carlisle.

Sinclair to Bouquet. Has forwarded circular to the counties. Is disappointed in the result of his advertisements for supplies. Shall this week apply to the magistrates, and send round the constables to warn those having forage to thresh it out; and inform them that if not supplied it shall be seized. This would at least alarm them and make them quicken their motions. The demands of the farmers about Lancaster, if acceded to and the price raised, would still cause them to ask more as they are insatiable. The farmers in all other parts of the country are satisfied with the price given. The letter relates almost entirely to the procuring and forwarding of supplies.

128.

August 20,
Carlisle.

Same to the same. All that remains to secure continual peace to all the western parts of the country is a sufficient supply of provisions and forage to enable the General to march up his forces to the Ohio and there erect a formidable fortress to restrain the Indians. The French have burned and abandoned their forts at Venango, Presqu'Isle and Le Boeuf; all convoys may now go without escort. The delay to furnish stores may frustrate the present opportunity to secure peace for the Colonies and those people who are blind to their own interest and ignorant of the fatal consequences that may result, should be compelled to furnish carriage and forage, to prevent the General from being compelled to march his army back for want of effectual support.

135.

August 21,
Carlisle.

Same to the same. Is rejoiced that the enemy has abandoned the remaining posts; this effectually secures the friendship of the Indians. Circulars sent to the magistrates of Lancaster County and by Hoops to the millers, touching them on their tenderest point, their own interest, that now the General may get provisions from Virginia and Maryland. Respecting transport, &c.

133.

August 22,
Fort Bedford.

Bouquet to Sinclair. Is alarmed at the difficulty of procuring forage, as there are only 104 bushels of oats and 300 of rye left. No pork, salt or liquor wanted till further orders, and no immediate need for flour, so all the waggons are to be loaded with forage. If the magistrates refuse to help and the country people remain obstinate, the only course will be to seize their forage, granting certificates and paying according to the appraisement of two magistrates, but this must be the last shift. Respecting cattle; contract for flour. Arrangements for waggons; Lieutenant Colonel Mercer of Virginia has been appointed A. D. Q. M. G. in his Province and borders to procure waggons and forage. Braddock's road opened to Pittsburgh; in a few days shall open the road to Red Stone Creek upon the Monongahela, by which means there will be three communications with Pittsburgh, and every Province may send produce which way it will. Respecting expresses. All drivers, except for sutlers, are to have provisions.

137

August 25,
Carlisle.

Sinclair to Bouquet. Hopes that fears about forage are not well founded, and that there will be no need to raise the price or to use com-

1759.

pulsion. Harris is sending large supplies. States the number of country waggons ready, or on the road. Has not, however, slackened his diligence. Hoops writes regarding cattle. Statement of contents of waggons, &c. A few men should be stationed at Shippensburgh to take care of hay, &c.

Page 148

August 28, Bouquet to Sinclair. The agreeable news about forage, which is
Fort Bedford. expected to-day; is afraid that many unload at Lyttleton or Loudoun. Tools to be sent to the posts. Instructions for the meadows to be received from the manager at Shippensburgh. 141

August 28, Same to Colonel Chambers. Has forwarded the letter to the General.
Fort Bedford. Is sending men to help at the road to the limits of York county; their allowance of provisions, &c. The road to be finished as soon as possible to encourage the York people to bring up provisions. 142

August 28, Same to Captain McLean. Is surprised to hear he is getting on with the
Fort Bedford. road. Additional tools sent. Returns to be made of all the tools, provisions, &c., he has. 143

August 28, Same to commanding officer at Lyttleton. That he is to use the
Fort Bedford. utmost diligence in making the road to Fort Loudoun, as it is the only way to encourage the country people to bring up provisions. Tools sent; old tools to be sent back carefully packed and returns sent. 144

August 28, Same to Captain Sharp. Orders about the road from Loudoun to
Fort Bedford. Lyttleton in similar terms to the orders in letters to other officers. 145

August 28, Sinclair to Bouquet. Country waggons loaded with oats are sent forward.
Carlisle. Is sorry the last waggon horses were so abused; they were light loaded. Hambright writes on the 25th that he was to leave Philadelphia next day, with his waggons, horses, etc, complete and should be here soon, unless detained at Lancaster for want of forage. Deficiency of bags. 151

September 1, Same to the same. Has advertised for flour, etc., to be paid for in
Carlisle. ready money. Has sent off last month 146 waggons, with oats, spelts and rye, about 9,000 bushels, thus removing apprehensions about forage which is hourly coming from all quarters. He has, besides, 1,000 bushels purchased in the upper parts of York county. Hambright has arrived at Lancaster; his difficulty about horses. He will not be able to leave Lancaster till the middle of next week. Waggons loading with flour, etc. Hoops has cattle on the road. 152

September 5, Same to the same. That he may be free from uneasiness about
Carlisle. forage. The price of oats has been raised by Mr. Shipping at Lancaster to two shillings and three pence, and large quantities are now coming in. There has been no need to raise the price at Carlisle or York county, where the people are well satisfied. Details of the quantities coming in from all quarters. Arrangements for transport, &c. 156

September 6, Same to the same. Respecting the supply of forage, transport
Carlisle. &c. 159

September 8, Bouquet to Sinclair. His mind relieved by the news in letter of the
Bedford. 5th. State of the provisions. Expresses to be stationed at Pittsburgh, Ligonier and Bedford, foot posts at Carlisle and Shippensburgh. There is at last a certainty of subsisting 3,000 men, including Indians at Pittsburgh, and of being able to lay in six months provisions for the garrison. 161

September 9, Sinclair to Bouquet. A long letter respecting the supply of waggons
Carlisle. for transport, the quantity of forage, &c. 163

September 13, Same to the same. Nothing shall be wanting on his part to complete
Carlisle. the store of provisions. Had sent off mounted express with letters from General Amherst; the letters were taken from him at Fort Loudoun to be sent off on foot, in spite of the orders for haste. The favourable

179.

- reports as to the collection of forage; note of money sent, and asking for a further advance; further about forage from various quarters. Page 167
- September 12, Bouquet to Sinclair. Orders to have the bags of oats, &c, weighed
Fort Bedford. and an invoice sent with each load. 171
- September 16, Sinclair to Bouquet. Has advertised that two shillings and six pence
Carlisle. will be given for oats, but that that is to be the highest price. Progress
in collecting and transporting forage. 173
- September 19, Same to the same. Further respecting forage. 174
Carlisle.
- September 25, Same to the same. Has enough of money to serve for some time.
Carlisle. Hambricht has arrived at Bedford; Harris is sending up large quantities
of forage. All the hay within nine miles has been collected; shall
extend a mile further, but after that the haulage becomes considera- 176
ble.
- October 2, Same to the same. Letters received and forwarded by express. The
Carlisle. progress of collecting forage; thinks that the price should be reduced,
which would induce the country people to crowd in for fear of losing
the market. 178
- October 2, Bouquet to Sinclair. To pay over to Mr. Boyd at Lancaster and Mr.
Bedford. Lyon at Carlisle the sums asked for by Captain Gordon. To send flour
at the rate of three fourths in each waggon to one fourth of forage. His
disappointment at the number and weight of cattle sent by Hoops and
at the neglect to send sheep. The stock of flour diminishing; hopes
Sinclair is getting his store filled up; has he heard anything of the lost
100 axes? 180
- October 7, Sinclair to Bouquet. Shall pay over the money as ordered, and asks
Carlisle. for a further supply. Shall send the flour as directed. The short
supply of cattle not the fault of Hoops. The delay in sending waggons
from Lancaster, to carry forage. York has done nothing for six weeks.
Mistake about axes discovered. P.S. The drivers of cattle explain that
thir delay arises from want of escorts and that their horses want
forage. 183
- October 12, Bouquet to Sinclair. The excessive rains had so destroyed the roads
Ligonier. between the mountains, that the brigade has not yet arrived though
each waggon had six horses. Is waiting the arrival to proceed to
Pittsburgh, where flour is scarce. Pack horses mostly knocked up; 200
more purchased to close the campaign. To try to hire waggons; the
horses for them and also the pack horses to be allowed forage. Purchase
of forage to be stopped, but the stock of flour is low. Respecting
axes &c. 186
- October 12, Same to Hoops. Respecting the supply of cattle for fresh provisions
Ligonier. for the troops. Will write from Pittsburgh for flour, of which he shall
require 5,000 barrels. 188
- October 14, Sinclair to Bouquet. Clark sends an exact state of the forage re-
Carlisle. ceived since the beginning of the campaign; quantity purchased by
Captain McPherson; also that in the hands of Harris and Captain Prat-
ter. Has, therefore reduced the price to the great disappointment of
those who were holding back their oats. Hay remaining at Loudon,
Shippensburg and Carlisle. 191
- October 18, The same to the same. Money paid over as ordered. Respecting the
Carlisle. arrangements for forage, transport, &c. 192
- October 18, Bouquet to Sinclair. Sends money. No more forage needed; the
Pittsburgh. pack horses asked are not now required. 194
- October 29, The same to Captain Ourry. Is obliged for his care in procuring
Pittsburgh. transport for Ligonier, but from the winter supply not having been
secured owing to Ramsay's contract not being fulfilled, more effectual

1760.

measures must be taken. If waggons are not supplied voluntarily, they must be impressed. The step is taken with reluctance, but all other means having been tried, it has become a necessity. Respecting live stock. Other arrangements. Page 196

October 29, Pittsburgh. Bouquet to Sinclair. Respecting the impressment of waggons, as in letter to Ourry. 200

November 4, Carlisle. Sinclair to Bouquet. He and Hoops have had a meeting with the magistrates at Lancaster to engage them to get the people to furnish waggons for transport of flour, &c. The magistrates have promised every thing. Has sent off no waggons with forage except such as would engage to go to Ligonier. 202

November 11, Carlisle. Same to the same. The measures he is taking to get waggons. Is preparing a place for 100 horees. 204

December 18, Winchester. Bouquet to Sinclair. To receive and settle all accounts for supplies to the end of the campaign. 206

December 23, Carlisle. Sinclair to Bouquet. Sends statement of all accounts due in the country remaining unpaid, unless it be those for forage purchased by Mr. Wyre. Remarks on various accounts. Some of the claims for meadows valued by appraisers admit of arbitration. What oats, &c., remain in store; how savings could be effected. Asks for instructions for the settlement of certain accounts, &c., &c. 208

1760.

November 13, Fort Pitt. St. Clair to Bouquet. Letters for General Monckton forwarded; it is 18 days since he left. He gave no specific orders except that he (St. Clair) was to command the troops till Bouquet's arrival and then join him at Philadelphia, and that the troops from Virginia should be left at the posts where they are until further orders. The necessity for his (Bouquet's) presence as there are no orders relating to the march of the Pennsylvanians; they do little else but consume provisions. Bentinck has sent off a bateau to Venango but its passage will be very tedious. 214

November 22, Fort Pitt. Same to the same. Had opened a letter from the General addressed to him (Bouquet) as commanding here. Has done nothing in consequence, but sends him a copy to Venango, so that he may give orders to Presqu'Isle and Niagara before coming down. He has sent up beeves and will send more. Is afraid to send flour by bateau to Venango till the weather opens. Expects the mason work to be finished tomorrow. 216

December 16, Fort Bedford. Same to the same. Arrived last night through rain, sleet and snow, but there is a more favourable prospect. Ourry had left the day the troops arrived. 218

December 18. Sinclair to the same. The forage ordered to Pittsburgh from Ligonier has not been delivered. Could not take it upon him to impress horses, but if directed he will do so. 218

1761.

August 21, Philadelphia. St Clair to the same. Recommending John Bartram who has done honour to his country by his services in the science of botany, &c. He has made a collection of all American plants for the Royal Society, and proposes to go down the Ohio or to Presqu'Isle as Bouquet may advise. 219

October 2, Belleville. The same to the same. Is glad to find Bartram had reached Fort Pitt. On the arrival of Adam Hoops from New York, he shall have all the lucerne seed threshed out; how it should be cultivated. How ploughs and horse hoes should be made. Will send a herd of cows to him (Bouquet) and a young bull; is going to try the Shetland and Orkney breed of cows. Will send scurvy grass seed, which grows in the winter, and if it can be got at for the snow is as good as spinach, dressed in the same way; no frost can hurt it. Advises him in planting to beware of the Vandevere apple, which would destroy all his cider. 221

- 1761
November 4,
New York. Amherst to St Clair. Has received the returns of provisions, &c., at the posts. Has no reason to doubt that Monckton has left everything on a well-regulated scale in the Southern Department; recommends him (St. Clair) to follow the same plan. Had not heard of any change of payments as mentioned in Plumsted and Franks' letter. Has no objection to his remaining on his farm till the service requires his attendance. Page 223
- December 1,
Philadelphia. Plumsted and Franks to St. Clair. Asks for instructions in consequence of the change in the manner of payment for necessaries, &c. 223
- December 5,
Trenton. St. Clair to Bouquet. That on Monckton's departure for the West Indies he had written (after waiting some time) to Amherst for instructions, with returns and an extract from a letter of Plumsted and Franks. Sends the letter he had received (p. 223). Asks what sums he may provide for expenses. No news of peace from Europe; everything seems to be pushed with vigour on the British side. 225
1763.
July 2,
Philadelphia. The same to same. Has received orders to repair to the communication of Pittsburgh; has put things in forwardness and will do the same upwards. Will be at Carlisle by the 10th by which day Major Campbell with his division will be there. If necessary, to employ persons in his branch above Bedford. He (Bouquet) can decide whether Hay is to join or to stop at Carlisle. Is impatient for the decision of the Assembly; the Governor says that the arms are ready for the troops, if any are raised. 227
- August 28,
Belleville. The same to the same. Is pleased at his (Bouquet's) success. Shall supply the escort for convoy when he hears how it is to be sent up. Has been ill with inflammation but is better. 229

CORRESPONDENCE WITH THE EARL OF LOUDOUN AND BRIG. GEN. FORBES
1757—1759.

A. 10.

B. 21,640.

1757.
April 24,
New York. Lord Loudoun to Colonel Bouquet. The supply of arms, ammunition, tools, &c. Page 1
- May 5,
New York. Same to the same. Refers to Captain Boonworth and his Indian connections who may give trouble. Sir Charles Hood goes as admiral, second in command of the fleet. 4
- September 7,
New York. Same to the same. Orders to draught Montgomery's supernumeraries on his arrival in Carolina. 5
- September 8,
New York. Same to the same. In draughting to keep the Highlanders in a distinct corps by themselves, if it can be managed. To deal with the supernumeraries as the state of recruiting will warrant. Orders respecting stores, specie sent and bills for subsistence will be sent. Provincial troops to be returned to Virginia; supernumeraries to go by same convoy. Care of quarters for the newly arrived troops. List of accounts wanted. 7
- September 10,
Charlestown. Governor of South Carolina to Colonels of Militia. To obey the military orders of Col. Bouquet appointed to command the Royal Forces in the Province. 12
- October 19,
New York. Lord Loudoun to Bouquet. Barracks are not quarters unless furnished and supplied with utensils &c. Provisions will be allowed for independent companies. The Carolina men to be completed with serviceable men. Virginian troops to be sent home. Men for rangers to be taken from independent companies; special instructions sent relative to Montgomery's troops. Application to be made for a man of war for convoy. Has recommended Bouquet for promotion in succession to Colonel Prevost. 13

1757.
December 25,
New York. Lord Loudoun to Bouquet. Questions between him and the Governor and people of the country to be dealt with carefully. Draughts to complete companies will be sent. The subsistence of Montgomery's supernumeraries. www.libtool.com.cn Page 18
- December 26,
New York. Same to the same. To give private Herring his discharge. 20
- December 30,
New York. Same to the same. Mr. Hunter is to supply the subsistence of 15 companies. Note as to the rates of exchange for money and how it works. 21
- December —,
New York. Same to the same. Unhealthiness of the season and scarcity of recruits. The mode of paying the Highland battalion. Receipt for money received. The impositions on the troops. If the Assembly does not furnish the barracks, quarters to be demanded in town, and if refused to quarter them by his own authority. The Virginian troops to be returned at the expense of the Province. 23
1758.
February 14,
New York. General Forbes to the same. Order to embark the Royal Americans at Charlestown for New York. (The above is marked in pencil in British Museum as 1760, but the receipt of the letter as endorsed is 1758). 366
- No date.
(Early in 1758) Bouquet to Lord Loudoun. Queries for instructions &c. 29
- May 20,
Lancaster. Same to Gen. Forbes. Settlement of accounts. Arrival of Indian goods. Movements of detachments to Carlisle. Hostile Indians have been seen. 32
- May 20,
Philadelphia. General Forbes to Bouquet. Provisions to be removed to the back country. Storehouses must be erected for their protection. Troops for Rae's Town; escorts for provisions to be left. The strategic position of the army. Cherokees to be kept constantly employed. Part of Colonel Washington's Regiment may join. Respecting tents and waggons. 39
- May 23,
Lancaster. Bouquet to General Forbes. Arrival of Hoops with money. Arrangements for conveying stores to Ray's Town. Indian interpreter engaged. Artificers employed. Arrangement for the march, and for convoy waggons. Deserters. French prisoners brought in by Cherokees. Work at Ray's Town to be pushed forward. 42
- May 23,
Philadelphia. General Forbes, to Colonel Bouquet. Hopes waggon arrangements are made. Cherokees impatient to get home. Detachments for Ray's Town and Fort Cumberland, and other arrangements. The fleet under Boscawen to sail from Halifax. Some tents may be spared for Col. Washington's Regiment. 46
- May 25,
Philadelphia. Same to the same. Leaves details of arrangement to himself. List of stores. Master carpenter and Indian presents sent to Lancaster. General hospital at Ray's town. Stores from New York expected. Boscawen's fleet probably before Louisbourg. The uneasiness of the Indians at Winchester. Indian arms will be sent. 54
- May 25,
Carlisle. Bouquet to General Forbes. Danger to waggons in crossing the Susquehanna. Unfitness of arms for provincial troops, and they have no stores; no arrangements for transport; will do his best under the circumstances. Will march on the 29th. Arrangements for military escort. Indian movements; precautions against small pox. Disposal of Washington's corps. Whiskey will do as well as rum for the troops. Cherokees have lost track of the Indians who committed outrages. New levies may be sent to Lancaster, waggon arrangements, and contracts for pack horses. 48
- May 29,
Philadelphia. General Forbes to Colonel Bouquet. Orders for arms, &c., sent to the commissioners; they will be sent to Carlisle forthwith. Lighthouse setting off. Scarcity of blankets. Officers to provide their own tents.

- 1758.
- Tools sent off. Washington's Regiment not yet ready. Movements of troops; state of the roads. Pack horses; how to be used, &c. Page 62
- May 29, Carlisle. Bouquet to General Forbes (in French). Civil Government in the country almost annihilated. The magistrates deliberate; the country people refuse to obey; civil and military force employed to compel obedience. Only two days flour at Fort Littleton. Sir John St. Clair necessary to maintain order. Movements of Armstrong and Bird's battalions. Indians not yet arrived; points to be discussed with them. Hoops trying to obtain waggons, settlement with Bird's battalion, &c. Measures to pardon deserters and induce them to return. 66
- No date. Same to the same (in French). Rough draft nearly all crossed out. (about June, 1758.) Expects Captain Calleuder and will ascertain what horses he can procure. Proposing to add Indians to the Provincial Troops. 33
- June 2, Philadelphia. General Forbes to Colonel Bouquet. Supplies for the Virginians. 72
- June — Philadelphia. Same to the same. General orders as to the arrangements for the expedition. 73
- June 3, Carlisle. Bouquet to General Forbes (in French). Returns given to Q. M. Ourry, and various details. Management of Indians. Sir John St. Clair despairs of retaining the Cherokee. Progress of Bird's battalion. Officer needed at Carlisle to look after convoys. More troops desirable to secure the head of the army at Ray's Town. Measures taken for choosing cavalry. Artillery organized. List of powder, of articles wanted (lint &c.) and changes in provincial officers. Other arrangements. 75
- June 6, Philadelphia. General Forbes to Colonel Bouquet. Will give every assistance to get affairs in proper state. Troops to be sent forward. Hopes that the provincials will be in a state of forwardness. Shoes sent forward. Management of the Indians. 81
- June 10, Philadelphia. Same to the same. The excess of work in preparing for the expedition. Stores sent off. Has tried to ease the engagements of Hoops, with respect to pork. The Cherokees a great plague. The garrisons of Fort Frederick and Fort Cumberland to be kept in pay for the rest of the campaign. Watch to be kept against the Indians. 84
- June 14, Fort Loudoun. Bouquet to General Forbes (in French) March of the rest of the troops arranged with Governor Sharpe, Sir John St. Clair and Col. Washington. Orders to open roads to Ray's Town. Proposed route by Fort Cumberland, Fort Littleton &c. Hopes Sir John St. Clair will take charge of the communication he proposes. Inconvenience of cart-ridge boxes for the provincial troops 87
- May 28 to June 16. No name. Journal of the proceedings of the fleet and army off Louisburg to the 16th June 1758 57
- June 16, Philadelphia. General Forbes to Colonel Bouquet. Obstacles to the expedition by bad roads &c. Arms forwarded. Governor Glen to visit the Cherokees. Troops from North Carolina. Negotiations with the Delawares. French on the Ohio in want of provisions, and on good terms with the Indians. 91
- June 19, Philadelphia. Brigade Major Halkett, to the same. Orders respecting rations to officers. 94
- June 19, Philadelphia. General Forbes to Colonel Bouquet. Regrets the change of route. Provision accounts to be made up. Artillery and stores not yet all landed; is sending them off daily. Hopes Governor Glen will influence the Cherokees. To reconnoitre roads. Thanks for his (Bouquet's) care in carrying on the service. Success with the Cherokees and trusts they will be faithful. 95
- June 23, Halifax. Lt. Governor Monckton to (Gen. Gage?) Fleet before Louisbourg; probability that the place will soon fall. The success of the landing; the enemy fled to the woods; reported arrival of a regiment from France.

- 1758.
- Many of the fugitives surrendering. French ships making ready to escape are watched by the fleet. Wolfe in possession of Light house Point. Page 98
- June 27,
Philadelphia. General Forbes to Colonel Bouquet. Mode of carrying provisions. Hopes to have all stores away by Thursday and will then follow. Progress of negotiations with the Delawares, scouting parties to be sent to the Ohio. Reported surprise of Rogers near Ticonderoga. To organize companies armed &c. like the Indians, the routes to follow. Reason for accepting Governor Glen's offer of service. 100
- July 5,
Albany. General Stanwix to General Forbes, sending intelligence concerning affairs at Louisbourg. 105
- July 6,
Carlisle. General Forbes, to Colonel Bouquet. Confusion in the waggon service, and among provincial troops; their distribution. Indians at Winchester. Others in Augusta County. Sir John St Clair's change of mind about route; to examine the roads, and have repairs made. 106
- July 8,
Carlisle. Brigade Major Halkett, to Colonel Bouquet. Transmitting General orders. 109
- July 9,
Albany. General Stanwix to Governor Delancey. Affairs not prosperous; militia to be raised; Lord Howe killed. 110
- July 11,
Carlisle. General Forbes, to Colonel Bouquet. Confusion in camp, no news from Louisbourg or Ticonderoga. Will bring up the troops directly; to see about a road across the Alleghanies. Major Ordu to command detachments between the Susquehanna and Delaware. 112
- July 11,
Carlisle. Major Grant to the same. Detachments at Juniata and Fort Loudoun; also for Ray's Town &c. The whole army to follow in a few days. The disposal of prisoners. Pennsylvanian troops to guard the frontiers. Distribution of Armstrong and Bird's Regiments. Philadelphia cleared of all but a small detachment. Abercromby on Lake George. 113
- July 12,
New York. Governor Delancey to Governor Denny. Embargo laid on all vessels, except coasters. Lord Howe killed in the skirmish on landing. 111
- July 11 & 12,
Philadelphia. Governor Denny. Conference between the Governor and Teedyuscung, with his Indians held in the State House. 116
- July 12,
Philadelphia. Richard Peters to ———. Remarks on the conference with the Indians (see 116.) 127
- July 12,
Philadelphia. Freemen of Pennsylvania to Governor Denny. Memorial presented by 28 Quakers and 2 churchmen respecting the treaty with the Indians. 10
- July 13,
Rae's Town. Bouquet to General Forbes (in French). Captain Paris has brought Indians and goes to Fort Frederick. Would be a good man to take the Indians from Winchester to Rae's Town. 132
- July 14,
Carlisle. General Forbes to Colonel Bouquet. Considerations as to proposed routes. The annoyance caused by the waggon service. Fresh beef for the troops and other provisions. Distribution and movements of troops. Can't leave till every thing is in order. An Indian trader's report of road between Rae's Town and Fort Duquesne. He is to have a party to reconnoitre. Troops ordered to Rae's Town; a detachment for Laurel Hill. Light horse and batt horse to be sent up; to provide forage. Abercromby's attack on Ticonderoga and death of Lord Howe. Stanwix must have been repulsed or he would not have raised the militia &c. To examine stores. 133
- July 15. Bouquet to General Forbes (in French and English). Arrival of horses and waggons. Fidelity of the Delawares; will be taken charge of by the Cherokees. Recommends Dunlop. The indolence of the provincial officers. Usefulness of military artificers. Details of camp arrangements &c. 139
- July 17,
Carlisle. General Forbes to Colonel Bouquet. Friendly conference with Indians at Philadelphia; caution lest they be attacked by mistake. The marks

1758.
used to recognise them. Transport of provisions. Disposal of provincial troops. Bosomworths' dealing with Indian supplies. Abuses respecting camp equipage &c. All sutlers must lay in provisions &c. Page 142
- July 20,
Carlisle. General Forbes to Colonel Bouquet. Negotiations with Ohio Indians to come in and settle. Sign by which to know friendly Indians. 145
- July 21,
Rae's Town. Bouquet to General Forbes (in French). Ward's return; the confused state of his journal. Proposed road to Laurel Hill. Bad state of batt horses. Places for magazines. Looking for the arrival of new levies. Party feeling of the Virginians. Reconnoitres and searches for roads. The enemy has neither army nor Indians. Indian movements. State of preparations. Complaints as to the smallness of rations. The number of pack horses needed, and stores on hand. New road to Cumberland. 146
- July 23,
Carlisle. General Forbes to Colonel Bouquet. The party feeling of Virginians. Respecting roads &c; discussion as to best route. Want of discipline among the Indians. Difference in length of road by Rae's Town and Cumberland. Troops ordered to advance slowly. 153
- July 23,
Carlisle. Brigade Major Halkett to the same. Illness of Gen. Forbes. Abercromby's repulse at Carillon. 700 pack horses to be sent up the country. Governor Sharpe left for Fort Frederick. Camp equipage for Pennsylvanians sent off. Great consumption of forage that must be incurred by the number of cattle &c. at Rae's Town. 153
- July 23,
Rae's Town. Bouquet to General Forbes (in French). The Indians and their proceedings. Embarrassment caused by Indians from Cumberland. Armstrong's guides. Bad news from Ticonderoga. Should have an escort. 160
- July 26,
Rae's Town. Same to the same (in French). Reports of scouts; respecting roads, &c. Washington has cut Braddock's road; his activity and zeal. Convoys expected with forage, &c. 162
- July 31,
Rae's Town. Same to the same (in French). Reports on new road; Sir John St. Clair and others to reconnoitre. Has consulted Colonel Washington who has no idea of the difference between a party and an army, or of the difficulties. The number of batt horses needed. Badly fitting saddles have injured the horses; want of axes for opening roads. The trouble from the Indians; some have left. Provisions arrived. Forage decreasing. Movements of provincials. Indians attack a soldier; his escape. Friendly Indians on the trail; small pox in the camp. 165
- July 31,
Carlisle. Brigade Major Halkett to Colonel Bouquet. The new road to be opened immediately. Great gun exercise to be practised under Captain Hay. No news from Abercromby. A few details of the attack, in which Major Proby was killed and Haldimand wounded. 171
- August 2,
Carlisle. Same to the same. Illness of the General (Forbes); wants Grant of the Highland Regiment to attend him. The matter to be kept quiet in case of alarm. 173
- August 2,
Carlisle. General Forbes to Colonel Bouquet. Confused account received from Abercromby of affairs at Ticonderoga; says nothing of future movements, that can be a guide. Must help themselves; can learn nothing of the movements of the enemy. To sound the Indians, and to ascertain what reinforcements the French have had. Forage ordered in for the horses; to make all the bay possible round the camp. He will move up the country in two or three days. Prevalence of flux; hospital may be opened. 174
- August 3,
Rae's Town. Bouquet to General Forbes (in French). Orders to open road will be attended to; tools necessary. Grass found for a fortnight's feed for horses. Indians report the French keeping close in the fort. Picked men ready for artillery service. Bad state of the

1758.

pack horses. Destitution and bad health of the troops from North Carolina; the Maryland men better. Camp equipage. Page 179

August 3,
Rae's Town.

Bouquet to General Forbes (in French). Almost identical with the preceding letter, p. 79. 182

August 7,
Carlisle.

Brigade Major Halkett to Colonel Bouquet. The General (Forbes) recovering; the other invalids are well. He is pleased with the account of the road and is laying in stores &c. Will soon be in motion. 185

August 8,
Rae's Town.

Bouquet to General Forbes (in French). The unsatisfactory letter from Abercromby. Must do every thing for the best without looking to him. Precarious prospect of feeding the troops, and the frost may destroy the grass for the horses. If successful the Potomac could be used for a magazine in autumn. Proposed fort and storehouses at Loyal Hannan, to meet contingencies. His proposed movements. Provision waggons attacked by Indians and the drivers scalped; parties sent off in pursuit. Prepared against surprise. Prevalence of flux; is decreasing. Arrival of artillery. Report on pack horses, stores &c. Feelings of the Indians; fears respecting those at Fort Loudoun; other Indians. 186

August 9,
Carlisle.

General Forbes to Colonel Bouquet. His recovery; will set out shortly. Has provided forage, which was entirely wanting. Dealings with the Indians. Hopes new road is advancing. Has discovered, by an unguarded letter from Washington, the scheme of the Virginians against the new road. Will make amends for long delays. Artillery to be prepared. 195

August 10,
Carlisle.

Brigade Major Halkett to the same. Revolt of Indians at Fort Loudoun; Major Grant sent off with two Highland companies. The General will leave for Rae's Town to-morrow. 198

August 11,
Rae's Town.

Bouquet to General Forbes (in French). Only eight days supply of fresh beef; pork also scarce. Orders for supplies. Indian gone off to negotiate. Blankets wanted for expected Indians. Progress of the road. The Carolina troops useless for the army. Major Grant might take part of the work. 199

August 15,
Shippensb'rg.

General Forbes to Colonel Bouquet. Been obliged to delay from illness. Message to the Cherokees. Highlanders for Fort Loudoun. How Indians are to be employed. Blankets sent for to Maryland. The French have sent reinforcements to Duquesne. Does not believe in small scouting parties; to send off a strong party under Armstrong. To carry on the new road and amuse the enemy by sending parties along the Braddock route. Arrangements to be made for the disposition of the army. Part to go by Rae's Town and part under Washington to go by the other road. Cattle and provisions moving up. 202

August 18,
Shippensb'rg.

Same to the same. The disagreeable situation of Abercromby. The army all in confusion. The different state of affairs in his (Forbes') army. To run small parallel roads beside the new road. Convention with Indians nearly settled; details of the state of Indian affairs, in the different Provinces. Is recovering but very weak. Is busy getting hay cut down. The narrowness of Mr. Hoops with regard to supplies. Fort Cumberland to be garrisoned by Governor Sharpe's militia. The extravagant price paid for oats at Lancaster. Captain St. Clair [James Sinclair] to regulate waggons. 206

August 18,
Rae's Town.

Bouquet to General Forbes (in French). The dreadful state of the roads, increased by the rains; men engaged putting the roads in order. A prisoner taken by the enemy has escaped. The correct information of his captors as to the state of the army. Investigations for a site for storehouse. Washington instructed to keep parties out. The son of Tedyuskung has refused to go among the Delawares, scouting

1758.

- parties out. Will take post at Loyal Hannan. Cutting roads. Distribution of troops. Arrival of cattle; plan of feeding the troops during autumn and winter. Abundance of forage. Page 212
- August 18, Shippenab'rg. Brigade Major Halkett to Colonel Bouquet. Express to be arrested and put in irons for stealing. 211
- August 20, Rac's Town. Bouquet to General Forbes (in French). His recovery the only compensation for the bad news from the north; his own army in a good state. The new road over the mountain can be used by waggons drawn by six horses. The passage of the Kiakimendos to be reconnoitred. The progress of roads satisfactory. Major Grant to take charge of the post of Loyal Hannan, and form an entrenched camp. Little grass, but plenty of *Locus* on the mountain, which makes good feed for horses. Plenty of provisions at Kickery Paulius. Will open side roads for flanking parties. His idea of the best way of preparing for the line of battle. Harmony among the provincials; trusts that petty jealousies may give way to the general interest. Cattle to be sent forward. Waggons wanted for forage. How far can they trust to the good will of the Pennsylvanians. Minister Ray can do more good getting waggons than in preaching. Movements of commissary, store-keeper, &c. 217
- August 21, Shippenab'rg. General Forbes to Colonel Bouquet. Effects of his illness. The Indian murderers of Captains Bullen and French not caught yet. The injury done by the slow progress of the road. To strengthen the new post proposed by Mr. Rhors. Major Grant's proposed post may be delayed. Fort Cumberland to be garrisoned by Governor Sharpe's militia. Virginians might march upon Braddock's road; how they might go. Distribution of troops. *Few de joie* for the fall of Louisbourg. Hopes his regiment will be sent from there. 233
- August 26, Shippenab'rg. Brigade Major Halkett to Colonel Bouquet. The General recovering slowly. Scouting parties from the enemy alarming the country; parties in pursuit. Instructions as to the best place to catch them. Reported capture of Louisbourg. 225
- August 26, Rac's Town. Bouquet to General Forbes (in French). The unsuitable situation of Loyal Hannan for a post or storehouse; his consequent difficulties. Has ordered the troops to entrench there and cut roads &c.; question of subsistence. Two officers killed and scalped. The uselessness of the Indian allies; their movements. 228
- August 31. Same to the same. Notes for letter to the General, in relation to the state of preparations, the distribution of troops, the occupation of posts &c. Scouting parties sent out. Hoops to report on provisions. 238
- September 2, Shippenab'rg. General Forbes to Colonel Bouquet. Has had a relapse. Reasons for delaying the attack; results if Bradstreet is successful at Frontenac. To see what number of troops are necessary at the head of the army to meet the projects of the enemy. To keep the posts on the alert. French troops for the Ohio sent back to Montreal. Mr. Coghlan [Croghan] will join with Indians. Pack horses sent off. Difficulty of getting waggons. To write to Colonel Washington &c. 243
- September 4, Shippenab'rg. Same to the same. The provincials to be dealt with for remissness of duty. To be watchful against the enemy at the advanced posts. Improvement in the Highland troops from chasing the Indians. Difficulty of dividing the army; to consult Washington, but not follow his advice as his conduct about the road was not that of a soldier. 243
- September 16, Loyal Hannan. Bouquet to General Forbes (in French.) Abominable state of the roads; better after passing Laurel Hill. Entrenched camp there. Not to advance owing to bad roads and the state of the pack horses. Erecting a small fort. Soldier attacked by Indians; large party sent off in

1758.

pursuit. Reconnoitring. Arrival of artillery. No parties allowed to pass the Ohio, except to reconnoitre. Indians discovered near the camp. Page 250

September 17, General Forbes to Colonel Bouquet. Provisions hurried forward
Rae's Town. scarcity at Fort Cumberland. Jealousy on the part of the Virginians. The bad conduct of Pennsylvania. Colonel Armstrong wishes to go against Venango. Cataraqui taken by Bradstreet with all its ships and a great booty of furs, &c. 255

September 17, Bouquet to General Forbes (in French). Major Grant defeated.
Loyal Hannan. Details of the affair. 259

September 23, General Forbes to Colonel Bouquet. His disapproval of the attack
Rae's Town. which led to the defeat of Grant. State of the provisions. Report of Colonel Stephen to Colonel Washington of the state of the road to the Ohio; the satisfaction of Washington, &c., at this news, on account of provincial jealousies. Troops to be distributed on the road between Fort Loudoun and Juniata. Grant's eagerness the cause of his loss. Hopes Loyal Hannan in a good defensible position. To reconnoitre the road to the Ohio. Artillery to be sent in two divisions. Indian congress favourable. 267

October 6, Same to the same. Court of Inquiry to be held on Capt. Clayton. 273
Rae's Town.

October 10, Same to the same. Apprehensive of the effect of rain on the roads.
Rae's Town. Waggon and artillery to be sent forward. Indians expected. To stop works at Loyal Hannan. To see about the roads. He is recovering. 274

October 13, Bouquet to General Forbes (in French). On proceeding to reconnoitre towards Laurel Hill, was alarmed by Indian scouts firing, but the troops continued the march, when they heard cannon shots from the mountain. The men, who had been without food for two days, have just received provisions. Account by Bird of the attack on his post; return of killed and wounded in both sides. But for the rain he would have been in time to assist with artillery and troops. 276
Dudgeon.

October 15, Same to the same (in French). The humiliating defeat at Loyal
Stony Creek. Hannan. Too late for the enemy to receive reinforcements. Falsity of the report as to Montcalm's march. Necessity of the French striking a blow to maintain the courage of the troops. New road to be begun. 283

October 15, General Forbes to Colonel Bouquet. Washington ordered to reinforce
Rae's Town. Stony Creek. Will be sorry if the Indians are not attacked. The wretched state of the roads. Stores and clothing sent. Strength of the French, and state of stores, Catawba and other Indians joined. Scouting parties to investigate the state of the roads. 278

October 20, Bouquet to General Forbes (in French). Delay from rain. Bad
Loyal Hannan. state of the roads; difficulty of building bridges owing to swollen streams. Scouting parties sent out from the Ohio. Braddock's road without difficulty. Intentions of the French to take Loyal Hannan. The scarcity of provisions among them. Difficulties in case of a check. No safe magazine on the road. Considerations respecting the expedition, and preparations for safety. Officers' promotions, &c. 285

October 20. Same to the same (in French). Report on the Braddock Road &c., by three volunteers. 291

October 21, General Forbes to Colonel Bouquet. Everything being ready the
Rae's Town. troops are to march on Monday. Has not settled on the order of battle; Bouquet to prepare one. The confusion in the camp. 293

October 25, Same to the same. Care must be taken to prevent mischief. His
Rae's Town. (Forbes) success with the Indians. The bad state of the roads from rain. Is asked to send the Little Carpenter to conciliate the Cherokees, but dreads the effect. Troops dispatched but halted to prevent ruin to the

- 1758.
- roads, softened by rain. Requisitions to different Provinces for frontier garrisons. The critical state of affairs; will do everything possible. Cattle &c. expected. Message to Colonel Washington. Page 95
- October 28, Bouquet to General Forbes (in French). The uneasy state of mind
Loyal Hannan in the army. Regrets the ingratitude of some, the service suffering from this state of things. Col. W. (Washington?) has been asked to communicate the dissatisfaction. His (Bouquet's) disregard of the cabals against him. 99
- October 30, General Forbes to Colonel Bouquet. Movement of troops. The fright-
Stony Creek. ful state of the roads in the Alleghany Mountains. Is to proceed to the Laurel Hills. Supplies ordered up. 301
- October 31, Same to the same. Has received report of court martial. His move-
Stony Creek. ments. 303
- November 20. Same, no address. The movements of the Indians. The distances to
be ascertained. Relating to supplies, and the preparations generally. 304
- November 22. Same to Colonel Bouquet. Difficulties on the march. The bad state
Advanced of the roads. Delay in the arrival of troops. Preparations for the next
Camp. day's operations; information to be obtained of the enemy's move-
ments. 306
- December 4, Same to the same. Arrangements for the expedition; to get quit of
Bouquet the Indians as soon as possible. 308
Camp.
- December 28, Brigade Major Halkett to the same. The difficulties on reaching the
Tomback camp that have tried the General's strength; he is now better. 310
Camp.
- December 29, Same to the same. Difficulties surmounted. Troops improperly
Alleghany marched from Rae's town. Marylanders deserting. No provision made
Camp. for these troops by Assembly. 312
- December 31, Same to the same. Movements of troops. No word from General
Fort Bedford. Amherst. Illness of Sir John (St. Clair). 314
- No date. Indian goods. Return of goods to be sent to Pittsburg from Fort
Bedford. 365
- 1759.
- January 4, Brigade Major Halkett to Colonel Bouquet. The General's health
Fort Londoun improving. Want of intelligence as to movements of detachments. State
of stores. Troops for Ligonier, Pittsburg, &c. Detachments to the fron-
tiers, &c. 316
- January 8, General Forbes to the same. Means of obtaining provisions. Indian
Carlisle. goods sent up; presents to be given to Indians. 318
- January 13, Bouquet to General Forbes (in French). Mr. Sinclair's wisdom
Bedford. and judgment in arranging about provisions; hopes that the scarcity
will be supplied. The worst of the Pennsylvania troops left at Pittsburg.
List of distribution of troops. The Provinces paying for full companies
although less than half effective; the absurdity of giving rank to the
class of men acting as officers. Indian goods, &c., not forwarded. Accom-
modation at Pittsburg. Withdrawal of sutlers. 322
- January 14, General Forbes to Colonel Bouquet. Provisions for Pittsburg and
Ligonier. Distribution of troops. Hopes to arrive at Philadelphia in a
day or two. Field officers for the garrison. 327
- January 15, Bouquet to General Forbes (in French). The treachery of the
Bedford. Indians; their concealment of French designs. The position of the French.
Proposals for attacking them; list of the necessary force, and state of the
roads. How to render the provincial troops useful. Indian corn coming
in; but no money to pay for it. 329
- January 23. Same to the same. Notes of letter to the General. 314
- January 23, Same to the same (in French). The Ministry from information already
Bedford. received may form plans for the next campaign. Slow arrival of forage.

1759.	Garrison at Fort Cumberland resolved to abandon it for want of pay; garrison at Fort Frederick partly paid. Pack horses and waggons stolen, and robber caught. Weak state of the post at Bedford. Scarcity of officers.	Page 335
February 5, New York.	Brigade Major Halkett to General Forbes. Sir John St. Clair confirmed in his appointment by his own account, but not by Amherst's. Why Robertson took charge at Louisbourg. He (Halkett) takes leave of Bouquet.	339
February 8, Philadelphia.	General Forbes to Colonel Bouquet. Is ignorant of what is to be done. Desires to see the deputation of Indians; seeks to have them secured by a firmer tie. Claims for provisions supplied. Sir John St. Clair's claim to command; his depreciation of the abilities of others. Cash to Mercer; its object. Anxious to know the position of the French.	342
February 12, New York.	General Amherst to General Forbes. Defines the position of Sir John St. Clair as Dy. Q. M. G. Leave of absence will not be refused to Forbes in account of his health. Non arrival of mails.	346
February 14, York.	Bouquet to General Forbes (in French) Is satisfied with his quarters. His opinion of St. Clair, and details of his conduct. Ourry ordered to send Indian goods to Pittsburg. Mercer advised of cash sent. Subsistence money due the Royal Americans.	349
June 3.	Same to the same. The complaints of the farmers. All Shippen's fault. Meadows secured for hay. Supplies of shoes. Light horse to be taken with him. Thanks for articles supplied. Asks for approval to add whole companies to the provincial battalions.	355
September 1, Bedford.	Same to Major Gates. His disagreeable situation. Returns of provisions to be sent. Roads to be looked to. Indian hostilities. The insolent letters of Hughes.	359
September 8, Pittsburg.	Major Gates to Colonel Bouquet. Expected arrival of Byrd's troops. Escape of Draxell from Indians. Lord Howe's mistake in cutting the pig tails of the Germans. The canting hypocrisy of Hicks.	361
September 11, Bedford.	Bouquet to Major Gates. Information on various points.	363
(1760 ?) January 15.	Same to General Forbes. Notes for letter to the General.	358

CORRESPONDENCE WITH COLONEL WASHINGTON.—1758.

A. 11.

B. M. 21,641.

1758.	Bouquet to Colonel Washington. To cut a road from Fort Frederick to Cumberland. To garrison Fort Cumberland.	Page 1
July 1, Ray's Town.	George Washington to Colonel Bouquet. Delay from bad roads and bad teams. Provisions and forage brought up. Will send no men on road service till arrival of Byrd. Sending various returns. What is to be done with Byrd's company? Is getting supplies; scarcity of clothes. If at liberty to do so he would make them all, as well as himself, adopt the Indian dress.	2
July 2, Cumberland.	Same to the same. Salt wanted for the fresh meat. Waggon master recommended.	6
July 7, Cumberland.	Same to the same. Arrival of Colonel Byrd's regiment. Doubts as to setting out for Ray's Town. Reasons for leaving the troops at Cumberland. The Maryland men should be sufficient to open the roads. Supplies, &c.	7
July 9, Fort Cumberland.	Same to the same. Progress of road work &c.	10

1758.
 July 13, George Washington to Colonel Bouquet. Murders near the camp com-
 Fort Cumber- mitted by Indians. Page 11
 land.
- July 13, Same to the same. Progress of road making. The changes in his
 Fort Cumber- men's dress. 13
 land.
- July 16, Same to the same. Further Indian attacks; scouting parties sent out.
 Fort Cumber- Urges deferring proposed expedition into the enemy's country for rea-
 land. sons given. The state of Braddock's road. Cherokees gone off on an
 expedition. 15
- July 19, Same to the same. Repairs of roads. Cannot think to be absent at
 Fort Cumber- election at the present moment, but will delay his determination. 18
 land.
- July 21, Same to the same. His resolution not to go to the election confirmed,
 Fort Cumber- Sends returns. Successes at Louisbourg gratifying. Work at Braddock's
 land. road. Hopes his men may be joined to the light troops to be em-
 ployed. 19
- July 23, Bouquet to Colonel Washington. The misbehaviour of his (Washing-
 Bay's Town. ton's) Indians has infected the others; relative to the course pursued
 towards the Indians generally. 21
- July 24, Same to the same. Respecting roads. The General's confidence in
 Bay's Town. him (Washington) concerning minor matters of regimental detail. 24
- July 24, George Washington to Colonel Bouquet. Sending dispatch; sugges-
 Bay's Town. tions for carrying on the work. 26
- July 25, Same to the same. His opinion of the routes proposed; would desire
 Fort Cumber- a conference with Bouquet and the General. Details of internal eco-
 land. nomy of regiments. The laziness of the Commissaries &c. Returns of
 troops &c. 30
- July 28, Same to the same. Orders for Capt. Dagworthy's march. Returns
 Fort Cumber- of tents (p. 86). Indians left for their nation; false reports of the mo-
 land. vements of Shawanese &c. 34
- August 2, Same to the same. Elaborate statement regarding the different roads
 Fort Cumber- by which it is proposed the troops should advance, with tables of distan-
 land. ces &c., occupying 11 closely written pages. 37
- August 6, Same to the same. His reasons for stating his opinion as to the pro-
 Fort Cumber- priety of opening new roads, but he will obey orders. Arrival of wag-
 land. gons with musket balls. Return of provisions. Will send a party to
 get a prisoner for intelligence. 48
- August 7, Sir Allan McLean to the same. The progress of the road under
 Shawana his charge. 28
 Cabin.
- August 7, George Washington to the same. Relative to waggons and provi-
 Fort Cumber- sions. Is surprised at the enemy being idle so long. Will send out a
 land. party to waylay the road. 51
- No date. Bouquet to Col. Washington. Has received his (Washington's)
 (Probably views as to the road, but the General orders the opening of a road by the
 Aug. 9.) Alleghany Mountains. Believes that the road will be better than Wash-
 ington fears, as Sir John St. Clair declares it good. 65
- August 13, George Washington to Col. Bouquet. Account of stores forwarded.
 Fort Cumber- Congratulations on his (Bouquet's) safe return and discovery of a good
 land. road. 52
- August 13, Same to the same. Clothing; movements of detachments. His doubts
 Fort Cumber- as to practicability of the new road. Party gone to waylay the great
 land. road to secure a prisoner. His anxiety for better accounts from the
 northward. No tools nor miners with him. 53
- August 18, Same to the same. Desiring information to enable him to lay in pro-
 Fort Cumber- visions. Remarks as to the proposed formation of road to F-D-Q-
 land.

1758.

(Fort du Quesne); cannot keep out parties for want of pack horses to carry provisions; sickness caused by change of food, water &c. The nearness of the enemy. www.enemy.com.cn Page 55

August 19, George Washington to Col. Bouquet. Return of McKenzie's party without news of the enemy; Cherokees have been at Fort du Quesne; few French there. Provisions wanted. Arrival of Marylanders with store waggons. 58

August 21, Same to the same. Arrival of Catawbas. Asks for instructions as to the rank in the army to be acknowledged as due to Governor Sharpe. 60

August 24, Same to the same. Arrival of convoys with provisions. Two Indian officers killed by the enemy. Parties sent off to intercept the enemy's scouts. 61

August 28, Same to the same. His reflection on the loss sustained by opening a new road instead of using Braddock's. Waggons and troops to be forwarded. Destination of the Virginian troops to be settled soon. The cause of the poor quality of cattle. 63

September 2, Same to the same. Return of provisions &c. The delay that will be caused in marching by waiting for waggons; disposal of the sick. Details of movements &c. 67

September 4, Bouquet to Col Washington. Expectation of an attack on the advanced posts. Marylanders to garrison Cumberland. Disposal of the sick. Date of Washington's march not fixed; arrangements for covering it. Ammunition &c. 70

November 17, George Washington to Col Bouquet. His anxiety about Indians and store bullocks. Loss from want of a guide. 73

November 20, Same to the same. The General has ordered the Virginian troops by the old road. 74

November —, Same to the same. Remonstrance against the proposed plan of Bushy Run. campaign. 75

CORRESPONDANCE OF CAPTAIN OURRY.

1758—1764.—VOL. I.

A. 12—1

B. 21,612

1758.

June 19. Lewis Ourry. Account of money expended. Page 1

June 19, Same to Colonel Bouquet. Remittance sent. No word of stores yet. 2

July 4, Same to the same. His disagreeable position from want of men, tools &c. Cannot repair the roads owing to the constant calls on the men. Arrival of corn and oats, but must dispence them sparingly. Drunkenness among the soldiers. Trial of the man who furnished the liquor (the letter is partly in French and partly in English). 3

July 8, Same to the same. Sending account of money expended. 6

July 8, Same to the same. Respecting deserters, clothing and tools. 7

July 12, Same to the same. Concerning deserters. 8

July 13, Same to the same. Deserters pardoned. Has applied for waggons. Ft. Loudoun. Inconvenience from want of arm chest. Tools for mending the roads. Deserter sent up &c. 9

July 19, Same to the same. Returns sent. Indian Corn forwarded. Deserter Ft. Loudoun. passed with a sham pass. Arrival of detachment &c. 11

1758.		
July 21, Ft. Londoun.	Lewis Ourry to Col. Bouquet. Arrival of detachment, waggons and pack horses. Hatchets sent. Notes of stores &c.	Page 13
August 6, Ft. Londoun.	Same to the same. The waggon master. Has sent all the spare stores. The weak state of the garrison (written in English and French).	15
August 10, Ft. Londoun.	Same to the same (in French). Apprehensions as to the arrival of Indians; communications on the subject to the General. Recovery of a man wounded by the Indians. Success of Admiral Hawke in defeating the French fleet for Louisbourg.	19
August 11, Ft. Londoun.	Same to the same. Good conduct of the Indians; the Conference with them. (In French and English.)	17
October 15, Lancaster.	Same to the same. With two canisters of tea.	21
December 10, Fort Bedford.	Same to the same. Will attend to his (Bouquet's) baggage and comforts. Details of arrangements regarding accounts, waggons, sick, &c.	23
December 20, Fort Bedford.	Same to the same. The disagreeable position of affairs; the sick without fresh provisions and the dishonesty of the men in charge of stores; the constant plundering.	24
December 26, Fort Bedford.	Same to the same. Movements of detachments.	27
1759.		
January 1, Fort Bedford.	Same to the same. Plenty of pork and flour at the fort; will send supplies to Ligonier and Pittsburg. Disappointment at the delay in his (Bouquet's) arrival.	29
January 2, Fort Bedford.	Same to the same. General Forbes has set out; Pennsylvania will comply with his demands. Distribution of troops. He (Bouquet) is to be at Bedford.	31
January 25, Fort Bedford.	Same to the same. Desertions. Respecting stores. Personal matters.	33
February 9, Fort Bedford.	Same to the same. Discovery of stolen horses. Delay of loaded train of horses for Pittsburg. The trouble of settling with the people bringing in supplies.	36
February 17, Fort Bedford.	Same to the same. Pittsburg and Ligonier fully supplied. The danger of starvation at Bedford owing to the sudden rising of the creek. Brigades of pack horses with provisions sent out. Hardships of the country people. Arrangements for ferrying, &c.	39
February 21, Fort Bedford.	Same to the same. Pittsburg well supplied. State of stores at Bedford. The usefulness of the canoes. Private affairs.	42
February 24, Fort Bedford.	Same to the same. Indian stores sent forward. Prohibition of liquor, &c.	45
February 26, Fort Bedford.	Same to the same. Distressed condition of country people carrying up provisions; loss of their horses, &c. Desertions. No more Indian meal to be sent, as it will not keep.	46
March 4, Fort Bedford.	Same to the same. With returns. Further arrival of flour on the 5th.	49
March 12, Fort Bedford.	Same to the same. Measures to supply the scarcity at Pittsburg. Erecting bridges over the creek.	51
May 24, Lancaster.	Same to the same. Has visited Dunker's town and urged the people to forward supplies. Arrangement for preparing waggons, &c. Details of stores, &c.	53
July 21, Fort Bedford.	Same to the same. Sending up convoys with stores and artificers; details (return at 58).	56
July 28, Fort Bedford.	Same to the same. Information respecting stores sent forward, waggons, waggon horses and drivers. Various items of information.	59
October 7, Fort Bedford.	Same to the same. Advices of letters received and their contents respecting the movements of store horses.	62

1759.			
October 9, Fort Bedford.	Lewis Ourry to Col. Bouquet. Movements of parties and detachments. Attending to demands for tools. Returns of garrison sent.		Page 64
October 10.	Same to the same. Letters for General Amherst received.		67
October 11, Fort Bedford.	Same to the same. Teams starting with provisions, &c. Sutler going up.		68
October 14, Ligonier.	Bouquet to Captain Ourry. State of the transport service; proposed arrangement of stages for the pack horses,		70
October 15, Fort Bedford.	Lewis Ourry to Colonel Bouquet. Will proceed to build loghouses for stages for the pack horses; the advantages and di-advantages of these posts. Cash matters. Movements of provisions, &c.		73
October 16, Fort Bedford.	Same to the same. Concerning the means of forwarding provisions, stores, &c. Horse thieves arrested.		77
October 18, Fort Bedford.	Same to the same. Sends account of the reduction of Quebec. Forage and flour sent to Ligonier.		80
October 23, Fort Bedford.	Same to the same. The difficulties of transport; has only succeeded by dint of abusing the waggoners. Returns of forage, and information as to waggons and cattle.		81
October 31, Fort Bedford.	Same to the same. Continued troubles with waggoners; details of the trips.		84
November 4, Fort Bedford.	Same to the same. Information as to forage, stores, &c., sent forward.		87
November 4, Pittsburg.	Bouquet to Captain Ourry. Scarcity of forage; waggons refusing to go to Ligonier to be pressed. Reduction to be made in artificers. No more stores to be sent from Virginia to Pittsburgh. Virginians ordered to Fort Cumberland.		89
November 4, Pittsburg.	Same to John Byers. With remittance.		91
November 7, Fort Bedford.	Lewis Ourry to Colonel Bouquet. Respecting recruits and deserters. Provisions on the road. Continued difficulty with waggoners. Money matters.		92
November 13, Fort Bedford.	Same to the same. Details of work going on. Catching horse stealers. Courts of inquiry. Arrival of bees.		94
November 17, Fort Bedford.	Same to the same. Bad roads, Amount of forage in store.		97
November 20, Fort Bedford.	Same to the same. Information respecting provisions, stores and live cattle.		99
November 24, Fort Bedford.	Same to the same. Urgency of General Stanwix for salt, as well as for cattle.		102
November 27, Cumberland.	Bouquet to Captain Ourry. Neither forage nor salt at the fort. The extraordinary conduct of Col. Mercer. Salt to be sent up at once with every precaution for its safety. Supplies of beeves for Ligonier. Money matters; private papers &c.		104
November 30, Fort Bedford.	Lewis Ourry to Col. Bouquet. Is hurrying forward salt. The promotion of General Stanwix. Byrd's troops on the way to Winchester. Loss of his (Bouquet's) baggage and papers.		108
November 30, Fort Bedford.	Same to the same. Salt forwarded. No blankets to be had. Bouquet's baggage arrived.		111
December 13, Fort Bedford.	Same to the same. Bouquet's baggage forwarded.		114
December 23, Fort Bedford.	Same to the same. The General has ordered more flour and cattle.		115
December 29, Fort Bedford.	Same to the same. How the General proposes to send forward pork.		116
1760.			
January 2, Fort Bedford.	Same to the same. Hogs sent forward; more cattle wanted for Pittsburg. Arrival of Pennsylvanians. Construction of a bridge over the creek above Bedford.		117

1760.			
January 13, Fort Bedford.	Lewis Ourry to Col. Bouquet. Forwarding accounts. Some liquor sent to Ligonier. The frost and thaw telling on the roads. The intense cold.	Page 120	
January 18, Fort Bedford.	Same to the same. With letters. Arrival of the General expected.	123	
January 30, Fort Bedford.	Same to the same. General Stanwix determined to have larger supplies at Pittsburg.	124	
February 11, Philadelphia.	Same to the same. Bags for Pittsburg. The change to ladies' society. News from Barbadoes of West Indian expedition. Colonel Byrd to go against the Cherokees; he sets out for New York for orders.	126	
February 16, Fort Bedford.	Same to the same. Has been keeping Ligonier on short allowance, owing to the expense of forwarding.	128	
February 21, Fort Bedford.	Same to the same. The General's baggage forwarded &c.	129	
March 5, Fort Bedford.	Same to the same. His excursion after sutlers who had surreptitiously got away with their horses,	130	
March 6, Fort Bedford.	Same to the same. Has received orders to get a flat boat ready. Country people bringing in flour; fat cattle sent in.	134	
March 6, Fort Bedford.	Same to the same. Fat cattle sent in.	137	
March 10, Fort Bedford.	Same to Adam Hoopa. Hogs received.	139	
March 23, Fort Bedford.	Same to Colonel Bouquet. Concerning forage at Pittsburg. Bridge wanted &c.	141	
April 6, Fort Bedford.	Same to the same. Contracts for flour; upper posts well supplied. Improvements at the fort.	143	
April 18, Fort Bedford.	Same to the same. Damage caused to bridges by freshets.	159	
April 25, Shippenburg.	Same to the same. His progress towards Philadelphia. Arrival of clothing. His arrival at Carlisle in P.S.	145	
April 25, Carlisle.	Same to the same. Will urge forward his advance. Allowances for contractors. General good state of the roads; men wanted for bridge over Dunning's creek.	147	
July 11, Bedford.	Same to the same. The success over the Cherokees.	149	
July 14, Bedford.	Same to the same. Waggons and pack horses going forward.	150	
August 24, Bedford.	Same to the same. Respecting cattle, &c. Bouquet's situation at Presqu'Isle. Wilger gone to settle his accounts in the other world. (Partly English and partly French).	151	
September 13, Long Meadow	Abraham Draxell to Captain Ourry. Details of work doing and necessary to be done on the farm.	153	
September 14, Bedford.	Lewis Ourry to Colonel Bouquet. Chiefly family news.	156	
September 29, Bedford.	Same to the same. The massacre of the garrison of Fort Loudoun whilst on the march to Fort Prince George, under terms of capitulation with the Cherokees who are now preparing to attack Fort Prince George. Captain Stuart taken prisoner, redeemed by the Little Carpenter.	158	
October 12, Bedford.	Same to the same. Private matters.	160	
October 22, Bedford.	Same to the same. His accounts in order; private accounts to be settled.	161	
November 18, Bedford.	Same to the same. A private note on his leaving for Philadelphia.	163	
December 14, Philadelphia.	Same to the same. State of accounts. Movements of Royal Welch Volunteers. Private affairs.	164	
December 20, Philadelphia.	Same to the same. Wine forwarded. Movements of Royal American volunteers.	166	

1760.			
December 27, Philadelphia.	Lewis Ourry to Col. Bouquet. Death of the King (George II). Private gossip.	Private	Page 167
1761.			
January 11, Bedford.	Same to the same. The Royal Welsh volunteers going off to different posts; the sickness among them . Letters from Draxell and others forwarded. Various items.		169
January 12, Bedford.	Same to the same. Arrival of Royal Welsh volunteers. Improper conduct of Lt. Sumner.		173
January 17, Bedford.	Same to the same. The drunkenness and robberies committed by the garrison.		175
January 19, Bedford.	Same to the same. The bad work made by the waggons and the packhorses from Carlisle; to watch that the drivers don't steal.		177
January 23, Bedford.	Same to the same. Movements of detachments. Private gossip.		179
January 25, Bedford.	Same to the same. Arrangements for the command of the garrison. Arrival of Royal Americans.		182
January 29, Fort Bedford.	Same to the same. Prussian victory reported. Respecting his promotion and accounts.		183
January 30, Bedford.	Same to the same. Is going to New York. The plunder of Bouquet's wine. Application by Boggs for leave to retire.		185
March 22, Philadelphia.	Same to the same. Arrangements of promotions. His accounts. Reported expedition to the West Indies. Tonnage for another expedition. Private news.		187
April 1, Philadelphia.	Same to the same. Has been ordered to Fort Bedford, &c.		190
April 27, Lancaster.	Same to the same. The reluctance of the Assembly to vote troops. Bouquet's stores.		192
May 2, Carlisle.	Same to the same. The transport of stores, &c.		194
May 13, Bedford.	Same to the same. His arrival. The work to be carried on.		196
May 16, Bedford.	Same to the same. What is doing at the fort, with news of friends.		197
May 18, Bedford.	Same to the same. With returns.		199
May 22, Bedford.	Same to the same. Respecting transport by waggons. Boyle not to get a license at Stony Creek. Stores to be examined.		200
May 25, Bedford.	Same to the same. About Hays and his wife; the trouble they cause at the fort. Complaint annexed.		204
June 2, Bedford.	Same to the same. Movements of Pennsylvanians. Stores forwarded; those remaining being examined.		207
June 3, Bedford.	Same to the same. Death of a horse, &c.		211
June 5, Bedford.	Same to the same. Respecting tents. Impressed waggons. Movements of troops; cattle, &c. Amherst transferred to West Indies and Monokton to command in North America. Quarrels among mail carriers.		212
June 13, Bedford.	Same to the same. Preparing powder for transport. Mails. List of sutlers wanted.		215
June 15, Bedford.	Same to the same. March of Pennsylvanians. Bouquet may be elected to represent a county in Maryland.		217
June 17, Bedford.	Same to the same. Garrison reliefs. The conduct of Hays &c. Private business.		219
June 22, Bedford.	Same to the same. The state of the stores, wheat &c.		223
July 3, Bedford.	Same to the same. Dispatches. Ligonier supplied with powder &c.		225

1761.			
July 6, Bedford.	Lewis Ourry to Col. Bouquet. Carriage of dispatches. No powder will be sent till its safety from falling into the hands of the Indians is ascertained.		Page 236
July 10, Bedford.	Same to the same. Desertions. Accident to the express. Flour and oats coming in.		228
July 13, Bedford.	Same to the same. Alarm of the country people at the report of Indian designs; powder sent up. Is General Amherst coming?		230
July 17, Bedford.	Same to the same. Pursuit of deserters. Arrival of artillery.		233
July 20, Bedford.	Same to the same. Arrest of deserters.		234
July 21, Bedford.	Same to the same. Shooting of a man by Lieut Mitchelson.		235
July 23, Bedford.	Same to the same. The wounded man (p. 235) still under treatment. Desiring to come to Fort Pitt and asking to be relieved of command for that purpose. No commissions issued for the militia officers.		237
August 5, Bedford.	Same to the same. Search for men who have robbed Colonel Boquet.		239
August 12, Bedford.	Same to the same. Is anxious to set out for Fort Pitt. Will send forward forage to Fort Pitt and Ligonier. Recruiting for the provincial troops.		240
August 16, Bedford.	Same to the same. Mr. Baby's movements. Delays by contractors. Stores to be forwarded; cattle coming forward.		242
August 18, Bedford.	Same to the same. Arrival of cattle. Stores and a deserter forwarded.		244
August 24, Bedford.	Same to the same. Cattle, sheep &c. arrived and will be forwarded. Forage returns.		245
August 25, Bedford.	Same to the same. Respecting cattle and stores. Provincial officers ordered to send up recruits.		246
September 23, Bedford.	Same to the same. Pursuit of deserters. Returns sent.		247
September 25, Bedford.	Same to the same. Respecting stores &c. Arrival of artillery.		248
October 4, Bedford.	Same to the same. Sending forward powder.		249
October 12, Bedford.	Same to the same. Cattle sent forward. Shoes supplied. Bouquet expected at Fort Bedford.		250
October 16, Bedford.	Same to the same. Repairs of roads and bridges.		252
October 24, Bedford.	Same to the same. Bouquet still to be continued at Fort Pitt. Private matters.		253
October 30, Bedford.	Same to the same. Settlement of accounts. Powder forwarded		255
November 2, Bedford.	Same to the same. Investigation respecting robbery.		257
November 8, Bedford.	Same to the same. Proclamation against settlement in certain districts. Deserters. Shoes, &c. sent up. Time of provincial troops expired. The inconveniences of the situation.		258
November 16, Bedford.	Same to the same. Respecting cattle, stores, &c. Searches after stolen goods. The reduced number in the garrison.		260
November 26, Bedford.	Same to the same. Shoes, oats, &c. forwarded.		263
November 27, Bedford.	Same to the same. Respecting stores, &c.		264
November 29, Bedford.	Same to the same. Respecting stores. The fleet sailed. Private news.		266
December 1, Bedford.	Same to the same. Arrival of clothing.		268

1761. December 1, Bedford.	Lewis Ourry to Col. Bouquet. Concerning accounts.	Page 269
December 12, Bedford.	Same to the same. Respecting deserters and relieved troops. Horses being cared for. Clothing to be forwarded , and other stores. Arrival of hogs.	270
December 13, Bedford.	Same to the same. Respecting accounts and documents to be sent, and forwarding of stores.	273
December 14, Bedford.	Same to the same. Invalid horses kept back.	276
December 16, Bedford.	Same to the same. Stray cattle recovered. Anxious about clothing.	277
December 26, Bedford.	Same to the same. State of the garrison. Condition of stores. Has written about accounts, and for cash.	279
1762. January 2, Ligonier.	A. Blane to the same. With monthly returns. The severity of the weather obliged the King's horses to return.	281
January 6, Bedford.	Lewis Ourry to the same. The care of horses. Is prepared for the Light Infantry. Kegs should be sent down if liquor wanted.	282
January 6, Ourry Park.	Same to the same. An amusing letter on the difficulty of decyphering Draxell's epistle.	284
January 10.	Same to the same. The destruction of Ourry Bridge by a flood.	286
January 20, Bedford.	Same to the same. Clothing for garrison. The cost of conveying stores &c.; part paid in forage. The damage by floods at Fort Pitt. He (Ourry) is building new bridges. The effects of the inundation.	289
January 27, Bedford.	Same to the same. A familiar note.	294
January 28, Bedford.	Same to the same. Sending salt &c.	296
February 9, Bedford.	Same to the same. Has impressed horses to carry up salt; the grievances of the horse owners.	297
February 12, Bedford.	Same to the same. The tricks attempted by Lowry, owner of some of the impressed horses. Trifling details.	299
February 12, Bedford.	Same to the same. Respecting Miss Willing's marriage.	301
February 16, Bedford.	Same to the same. Salt sent forward. The neglect in returning bags.	303
February 24, Bedford.	Same to the same. The salt all sent. Return of horses. Report of the taking of Forts in Martinique and of the victory of K. of P. (King of Prussia) over Daun. [Torgau, 3 rd Nov. 1760]. Certificate for impressing horses.	305
February 27, Ligonier.	A. Blane to the same With returns and asking instructions respecting wastage on contractors' stores.	309
March 6, Bedford.	Ourry to the same. Has paid the owners of impressed horses. Condoles with him (Bouquet) on Miss Willing's marriage.	311

CORRESPONDENCE OF CAPT OURRY.

1758-1764.—VOL. II.

A. 12-2.

B. 21, 642.

1762. March 10, Bedford.	Lewis Ourry to Col. Bouquet. Regarding salt, forage, the prohibition of liquors and keeping of cash and accounts.	Page 313
March 10, Bedford.	Same to the same (in French). A long letter urging that Bouquet should struggle to free himself from the effects of his disappointment (This evidently refers to the marriage of Miss Willing of Philadelphia. See Vol I, pp. 301, 311).	314
March 12, Ourry Park.	Same to the same. Sending fruit &c. from his (Bouquet's) plantation. Delighted at the thoughts of his visit (in French and English).	319

1761.
 March 12,
 Bedford. Lewis Ourry to Col. Bouquet. (In French and English). Messenger with first letter returned, sends him back and sends with him a little coffee &c. Urges him (Bouquet) to take courage and get rid of his feelings of disappointment. Page 320
- March 13,
 Bedford. Same to the same (in French). Is uneasy about his (Bouquet's) health. 322
- March 14,
 Bedford. Same to the same (in French). A familiar letter urging an immediate coming to Bedford and describing the employments that will restore him (Bouquet) to health. 323
- March 15,
 Bedford. Same to the same (in French). His anxiety regarding his (Bouquet's) health, owing to there being no letters. 324
- March 16,
 Bedford. Same to the same (in French). Still anxious for word. How he can amuse Bouquet at Bedford. 328
- March 17,
 Bedford. Same to the same. Oats forwarded; state of the stores and condition of the horses. 329
- March 26,
 Bedford. Same to the same with a packet. Account of Gen. Amherst's new seal &c. 331
- March 26,
 Bedford. Same to the same (in French). Receipt of letters that Bouquet is better. Sir John St. Clair sends £700 but no letter as he is engaged looking out for a Lady St Clair. 333
- March 29,
 Bedford. Same to the same. Respecting garden seeds. 335
- April 8,
 Bedford. Same to the same. His reasons for selling flour. The letter is nearly all in a familiar style, private matters being chiefly spoken of. 336
- April 10,
 Bedford. Lewis Ourry to Col. Bouquet. Arrival and departure of Col. Byre. The gain in Bouquet's health. The indisposition of the engineers (in English and French). 339
- April 12,
 Bedford. Same to the same. Has seized 100 kegs of liquor. Sutlers want permits to sell. Returns sent. The last flour received has turned sour. 341
- April 13,
 Bedford. Same to the same. Deserter has gone off with money, horses &c. 343
- April 15,
 Bedford. Same to the same. Regrets at Spanish war; success at Martinique. Repairs to roads; state of horses &c. 344
- April 18,
 Bedford. Same to the same. Oats &c., forwarded. Time for issuing licences to sutlers. Probability of a new European war (in English and French). 345
- April 20,
 Bedford. Same to the same. Sending forward oats, rice, &c. Urges Bouquet to leave Fort Pitt for a time. His duties as judge. The advantage of being near Bedford for the garrison at Fort Pitt. 348
- April 22,
 Bedford. Same to the same. A familiar note on country employments. 351
- April 25,
 Bedford. Same to the same. Disposal of flour. Method of keeping accounts and conducting sales. Restrictions on the sale of liquor. State of the roads. 353
- April 26,
 Bedford. Same to the same (in French). Non arrival of Pennsylvanians. Prospects of the war. 357
- April 28,
 Venango. Lieutenant Carre to the same. Arrival of relief from Presqu'Isle. 359
- May 3,
 Bedford. Lewis Ourry to the same. Permits for liquor selling. Prospects of war; the Cherokees will probably join the French. Danger to the Provinces. 360
- May 4,
 Bedford. Same to the same. Maryland has voted no men for the King's service. Reported loss of Charlestown. French poem at the end. 362
- May 8,
 Bedford. Same to the same. Lost horses found. Chiefly gossiping. 365
- May 8,
 Bedford. Same to the same. Carriage of forage. Private ending with French verses. 367

1762.		
May 8, Bedford.	Lewis Ourry to Col. Bouquet. Various small items. The characteristics of Pittsburg (French and English). French Ode "Dans un Fauteuil" at the end (p. 371).	The character- istics of Pittsburg (French and English). French Ode "Dans un Fauteuil" at the end (p. 371). Page 369.
May 10, Bedford.	Same to the same. Cattle going forward.	372
May 12, Bedford.	Same to the same. Assault by drunken labourers; one of them shot.	374
May 14, Bedford.	Traders seized for illicit trading.	374
May 15, Bedford.	Same to the same (in French). A familiar note with some verses.	377
May 21, Bedford.	Same to the same. Trifling details and the rest of the letter respecting Bouquet's journey (English and French).	380
May 23, Bedford.	Same to the same. Detachments sent off. Details of small consequence. Cattle collecting. Extreme heat. Respecting Cook's goods	382
May 28, Bedford.	Same to the same. Wounded thief recovering. Application for liquor licenses. Sale of flour approved of.	385
May 28, Bedford.	Same to the same. Stores sent forward. Garden destroyed by drought and vermin.	387
No date.	Same to the same (in French). Respecting the accident to Colonel Bouquet.	389
June — Bedford.	Same to the same. Respecting Col. Bouquet's expected arrival.	391
June 14, New York.	General Amherst to the same. Promotions, &c.	394
June 16, Bedford.	Lewis Ourry to the same. Seizure of goods for illicit trading, &c.	395
June 21, Ourry Park.	Same to the same. With letters. Recovering from his wound.	396
June 22.	Same to the same. Chiefly private.	397
July 8, Bedford.	Same to the same. Sending up waggons. Private note. Sheep sent forward.	398
July 11, Bedford.	Same to the same. Is confined to bed. Application for tents for small pox patients refused by him unless permission be obtained. His own speedy recovery and Bouquet's improvement after the accident.	400
July 20, Bedford.	Same to the same. Glad Bouquet has got through mustering. Indians got rid of. Bouquet's complete recovery. Prospects from General Monckton assuming command. Reported landing of troops at Havana.	403
July 23, Bedford.	Same to the same. Respecting his accounts sent to London.	405
July 26, Bedford.	Same to the same. Survey on flour. Liquor licence. P.S. in French relating to his proposed transfer to Lake Superior.	407
July 30, Bedford.	Same to the same. (in French) Amusing account of his first attempt on crutches. (in English), Prospect of going to Lake Superior.	409
August 26, Bedford.	Same to the same. Inspection of flour; some sent up. Is tired of his present situation.	412
August 31, Bedford.	Same to the same. Deserters. State of stores and liquors.	415
September 2, Bedford.	Same to the same. Virginian troops draughted. French and Spanish privateers' crews landed on Virginia. The unreasonable conduct of the Indians.	417
September 3, Bedford.	Same to the same, (in French) Wishes the Indians were gone. Respecting flour.	419
September 3, Fort Pitt.	John Work to the same. Desires to present his case.	420
September 6, Bedford.	Lewis Ourry to the same. The practice in examining goods for contraband liquor. Expected success at the Havanah.	421
September 8, Bedford.	Same to the same. Cannot go to Fort Pitt on account of business.	423
September 10, Bedford.	Same to the same. Respecting flour, the quantity needed and its disposal. Is in hopes of seeing Bouquet; if not he will go 100 milles to see him &c (in French and English).	424

1762.			
September 11, Bedford.	Lewis Ourry to Col. Bouquet.	Seizures of liquor.	Page 428
September 14, Bedford.	Same to the same.	Reports of the capitulation of the Havanah.	439
September 16, Bedford.	Same to the same.	Of no moment.	434
September 17, Bedford.	Same to the same.	Liquor supplied to Indians; its seizure &c.	431
September — Bedford.	Same to the same (in French).	The troubles of his office, ending with a rondeau.	435
September — Bedford.	Same to the same.	Drunken Indians. Flour to be sent up. Cannot leave on account of his charge. Pet elk shot for mischievous pranks.	37
September 19, Bedford.	Same to the same.	Loss of life at taking of the Havanah. The fall of Dunkirk and other war news from Europe.	439
September 22, Bedford.	Same to the same.	Forwarding letters.	441
October 8, Bedford.	Same to the same.	Bad flour; gossip; poetry.	442
October 9, Bedford.	Same to the same.	Respecting mode of settling carrier's accounts.	441
October 9, Bedford.	Same to the same.	Extraordinary desertion.	445
No date. (Oct., 1762?)	No Signature, to the same.	Has been prevented from visiting Bouquet owing to meeting of Assembly of Virginia. Complaints that those furnishing flour to contractors are not paid.	446
October 13, Bedford.	Lewis Ourry to the same (in French).	Deaths from plague in Philadelphia.	449
October 13, Bedford.	Same to the same.	Continued deaths from plague in Philadelphia.	450
October 21, Bedford.	Same to the same.	Draxell going to look at lands for Bouquet. Delays of letters. Revolution in Russia. Birth of the Prince of Wales (George IV).	451
November 11, Bedford.	Same to the same.	Has returned from the springs. Whiskey sent to Fort Pitt.	453
November 12, Bedford.	Same to the same.	Sending up whiskey and flour. Virginia to disband its militia. The "Hero" sending in prizes. Private gossip.	454
December 18, Bedford.	Same to the same.	Private note.	456
1763.			
January 25, Bedford.	Same to the same.	Respecting flour. Detection of thieves and resettlers of stolen flour.	457
January 29, Bedford.	Same to the same.	Movements of officers. Respecting flour. The smuggling of liquor. Complaints of outrages. Domestic details (English & French).	459
January 31, Bedford.	Same to the same.	Has seen the preliminary articles of peace. Sale of condemned flour.	462
February 5, Bedford.	Same to the same (in French).	Desiring to exchange, and asking advice and help to carry out his views; other private affairs.	463
February 11, Bedford.	Same to the same.	The sale of flour. Thieves of flour detected at Fort Pitt. Apprehended effect of the peace on the position of the officers. Sandusky too much among the Indians for some of them.	467
February 26, Bedford.	Same to the same.	Sale of flour over; thieves punished. Bouquet's movements (English and French).	470
March 10, Bedford.	Same to the same.	The rising of the water. His accounts for flour, &c. Appointment of magistrate. The rest chiefly private (English and French).	471
March 11, Bedford.	Same to the same.	Loss of flats for ferrying. Pennsylvania should now take charge of the ferry at Juniata.	475

1763.
March 14,
Bedford. Lewis Ourry to Col. Bouquet. Second inundation at Fort Pitt. Damage at Bedford is small. Two men drowned. Page 476
- April 6,
Bedford. Same to the same. Private note, chiefly relating to gardening. 477
- No date.
(About April
21, 1763.) Same to the same. Indians terrified at the approach of Cherokees; they have been seen by others, but have disappeared. 481
- April 22,
Ourry Park. Same to the same. Indians at Fort Pitt dislike the terms of peace and say the French had no right to dispose of their lands. 478
- April 29,
Ourry Park. Same to the same. Employing horses, &c. 480
- May 10,
Bedford. Same to the same. Arrival of Six Nation Indians going against Cherokees; their wants supplied. Domestic matters. 483
- June 13,
Bedford. Same to the same. Arrival of powder and lead. Want of men for the garrison. Live cattle getting scarce and pork in small supply. 485
- June 17,
Bedford. Same to the same. Fort Pitt surrounded by Indians. Expresses sent to Ligonier and a scouting party to Fort Pitt. Dutchman fired at near Ligonier. The weakness of the Bedford garrison; trusts that reinforcements may be sent. 487
- June 17,
Bedford. Same to the same. The measures for defence; provisions issued only to the families of settlers serving. No bags left for stores. Details of his arrangements as to supplies, destroying houses in the way of defence &c. 489
- June 18,
Bedford. Same to the same. Outrage by Indians; the militia coming in. No account yet of the number killed by Indians. No word yet of the expresses sent to Fort Pitt; that post must be closely invested. 492
- June 20,
Bedford. Same to the same. The critical state of affairs; is deserted by the settlers; Ligonier to be abandoned. Necessity for reinforcements. Three girls nearly captured by Indians in front of the militia. Is afraid the Indians will concentrate after cutting off the small posts. 494
- June 23,
Philadelphia. Bouquet to Capt. Ourry. Has taken measures to send reinforcements; is coming up with the first companies. Help must be sent to Ligonier. No dependence to be placed on the settlers, but must try to keep them. Good accounts from Fort Pitt. Every thing must be risked to secure Ligonier. 496
- June 23,
Bedford. Lewis Ourry to Col. Bouquet. Frequent alarms and no troops arriving, country people leaving; hopes to keep some to mount guard besides 10 of Col. Croghan's men. Danger of getting in and out of Fort Pitt. Uncertainty as to the number of pack horses. 499
- June 29,
Bedford. Same to the same. Glad to hear of reinforcements. Lem's party still at Ligonier. The second scouting party refuse to go there. Blane has no intention to abandon his post. Young man taken prisoner near the town and carried off; carelessness of the people and indolence of scouts the cause. Has taken post again at Juniata. His own garrison. 501
- June —,
Bedford. Same to the same. Indians reconnoitering Bedford. Scouting parties sent out. Indians will not be tempted to try Bedford after seeing the parade. The garrison in good spirits. Fort Cumberland being strengthened, but powder wanted. The small number of Indians attacking Blane's post. 503
- July 2,
Bedford. Same to the same. Still anxious about Ligonier. The woods reported full of Indians. Indians fired upon Croghan's hay-makers, killing and scalping three. Assistance sent but the people will do nothing for their own preservation. Steps taken to relieve the other posts, &c. 505

1763.
 July 4, Carlisle. Bouquet to Ourry. Christie's shameful capitulation; it is to be hoped he is dead for his own sake. Blane's prudence and courage. Every expedition will be used to relieve the remaining posts, but prudence necessary. A small party has a better chance to get to Ligonier than a large one. The General's opinion of Ourry's plans, &c. 508
- July 10, Bedford. Lewis Ourry to Col. Bouquet. Detachment sent to Ligonier. Boy carried off from outside the garden fence. Other Indian outrages. Dispatches sent to Fort Pitt and Ligonier. 511
- July 13, Bedford. Same to the same. Further Indian attacks. 513
- July 13, Bedford. Same to the same. Return of guides from Ligonier. No express will venture to Fort Pitt. Captures by Indians. Relief afforded by arrival of Capt. Robertson. Expectation of Bouquet coming. 514
- July 16, Bedford. Same to the same. Indians seen near the fort; the body of a man (beheaded) named Harshaw discovered. Respecting flour and transport. 516
- July 19, Fort Loudoun. Same to the same. Trusts that Maryland will raise militia as he cannot spare troops. Is anxious about arrangements for sending balls. Slow progress of transport. 518
- July 19, Fort Loudoun. Same to Capt. Robertson. Orders as to guarding a convoy of waggons. 520
- July 20, Fort Loudoun. Same to Col. Bouquet. Capt. Robertson's Light Infantry to be at Fort Cumberland to escort waggons. Hopes the State militia will be left to guard crops. Arrangements as to provisions, &c. Croghan's men to be dismissed if the Province does not provide their pay. 521
- July 24, Bedford. Same to the same. Notice of reinforcement. Number wanted of those to be provided for; pasturing of cattle &c. Captain Robertson expected back immediately. 523
- August 5, Bedford. Same to the same. Pack horses sent off. List of casualties. All quiet; Indians have no cover near. Anxiety for news of Bouquet. 525
- August 27, Bedford. Same to the same. Decisive defeat of Indians at Edgehill. Arranging to send up cattle &c. Has draughted horses and drivers. Women and children sent off. Waggons &c., discharged. Arrival of volunteers. Indians defeated in Virginia and Maryland. The crowded state of Bedford. Delays in forwarding mails for want of escort. 527
- September 2, Bedford. Same to the same. Arrival of bullocks and sheep, also of dispatches from General Amherst. 533
- September 4, Bedford. Same to the same. Movements of officers. Men wanted but no women. Captain Cummins buying flour. Flour &c., sent to Ligonier, also cattle and small stores. 534
- September 5, Bedford. Same to the same. Dispatches from General Amherst respecting supplies, &c. 537
- September 23, Bedford. Same to the same. Respecting dispatches. Escape of Indian and squaw. Expedition against the Shawanese. Contractors laying in provisions. Asking directions about accounts of the pay for the wounded. 539
- Sept. 15 & 29, Fort Pitt. Bouquet to Captain Ourry. Extracts of instructions as to victualling the posts. 543
- October 11, Bedford. Lewis Ourry to Colonel Bouquet. Respecting letters &c. Is preparing to march. 544
- October 17, Ligonier. Same to the same. Arrival on his way up. 545
- October 20, Metcalfe. Same to the same. Will reach Fort Pitt next day. Illness of Capt. Murray. 546
- November 2, Bedford. Same to the same. His return. Arrival of clothing stores and cattle. State of affairs; no Indians seen. 548
- November 8, Bedford. Same to the same. Details of stores forwarded. The disorganised state of the men. 550

1763.
 November 10, Bedford. Lewis Ourry to Col. Bouquet. The convoy of stores, &c, started. List of horses and their loads. Page 554
- November 20, Bedford. Same to the same. Refusing unauthorised supplies. The deterioration of cattle on the march. Waggoners cannot go to Fort Pitt on account of snow; arrangements about convoys. The severity of the weather. General Amherst goes to England, &c. 555
- November 21, Bedford. Same to the same. Difficulty of obtaining forage, and scarcity of flour among the inhabitants. The attempted extortion of the waggoners, &c. 560
- November 22, Bedford. Same to the same. Respecting hogs. Convoy going off. Return of garrison. 562
- December 3, Bedford. Same to the same. Completing repairs and making defences. Arrangement for transport of flour, &c. Want of flour and money. The weakness of the garrison. Movements of troops. Various items respecting accounts, &c. 563
- December 22, Bedford. Same to the same. The severity of the weather. Pack horses discharged. With returns, &c. 568
1764.
 January 7, Bedford. Same to the same. Details respecting flour and minor matters. 570
- January 14, Bedford. Same to the same. No hogs to be had; cattle proposed as a substitute. Arrangements for provisions to Fort Pitt. 572
- January 15, Philadelphia. Same to the same. Accounts sent. Thanks voted to Col. Bouquet. 574
- January 15, Bedford. Same to the same. Arrival of horses. Settlement for those impressed. 575
- January 21, Bedford. Same to the same. Respecting pack horses, &c. 576
- February 11, Bedford. Same to the same. Return of loads of flour, salt, &c. 577
- February 19, Bedford. Same to the same. Non arrival of hogs. Desertion of coopers. Return of pack horses. 579
- February 28, Bedford. Same to the same. The Indians renewing their bloody work; arrangements in consequence. 580
- March 3, Bedford. Same to the same. No further disturbance from Indians. 582
- March 8, New York. Bouquet to Capt. Ourry. No change of plan in consequence of renewal of Indian hostilities, except to strengthen escorts. To remain at Bedford till horses return from Fort Pitt; then to go to Carlisle. 583
- March 8, New York. Same to Lieutenant Carre. Returns of Royal Americans and other arrangements. 587
- March 8, New York. Same to Captain Grant. The hostility of the Indians does not prevent the sending of the convoy. Arrangements for returning horses. 585
- March 23, Bedford. Lewis Ourry to Col. Bouquet. Escape of an express from Indians. 589
- March 24, Bedford. Same to the same. Murder by Indians. Additional men sent out to meet convoy. Sending out scouts. No word from Fort Pitt or Ligonier. 590
- March 25, Bedford. Same to the same. Further attacks by Indians; they get off, but men are in pursuit; additional escort sent to meet convoy. 592
- April 1, Bedford. Same to the same. Delay of convoys from high water. Scarcity of pork; flour sent up. Respecting the settlement of accounts. 594
- April 7, Bedford. Same to the same. Will leave on arrival of the horses. Expects to be put in gaol. 597
- May 4, Carlisle. Same to the commissioners. Respecting appraisement of damages done by pack horses to plantations near Bedford. Order annexed (p. 600). 598

1764, June 1, New York.	Lewis Ourry to Bouquet. Respecting accounts. Contracts with financial agents.	Page 602
June 4, New York.	Same to the same. The festivities of the military authorities. Respecting accounts.	603
June 6, New York.	Same to the same. Difficulty of getting a settlement of accounts.	605
June 8, New York.	Same to the same. Difficulty of getting accounts settled still continues.	607
June 24, New York.	Same to the same. Still difficulties about accounts.	610
June 24, Philadelphia.	Bouquet to Lieutenant Menzies. To give up his command at Fort Bedford on reduction, and take up his grant of land.	611
July 26, Philadelphia.	Lewis Ourry to Col. Bouquet. Stores sent off. Accounts to be settled.	612
September 10, Bedford.	Same to the same. Convoys of cattle; is the bullock master wanted? &c.	613
September 10, Bedford.	Same to the same. Dispatches sent. No men to drive cattle. The elections in Philadelphia, &c.	614
September 19, Turtle Creek Hill.	Journal of march from Bedford, &c.	615

GENERAL CORRESPONDENCE.

1754—1759. Vol.—I

A. 13.

B.M., 21, 643.

1754. February 9.	J. Ourry to his brother. The attacks he has suffered from on press gang duty; the number of men he has raised for the ships by volunteering and impressment; must raise more. List of clothing &c. to be sent to him. Admirals Mostyn, West and Townsend setting out to their different places of service. Lord Anson expects to have a fleet of 20 sail.	Page 1
March 24, Spithead.	Same to Lewis (Ourry). Thanks for the clothing sent, but wants liquor. Has broken up his rendez-vous and been ordered on board ship at the Nore. All commissions disposed of as soon as thought of, it being just after an election. His own hopes of advancement &c.	4
August 2, Greenwich.	Same to the same. His exertions to remove the effect from the General's mind of the lies told about him (Lewis) and his father. Personal matters and family messages.	7
October 18, Mount Edgecombe.	Same to the same. His exertions to get put in service on board another ship. Family matters.	11
November 24, Woodland.	O. Ourry to Major Ourry. Family matters.	18
November 27, London.	J. Ourry to Lewis (Ourry) Sends franks as he thinks the family have not written for want of them. Prefers to be in London rather than in Jersey as he is ready to be off at a moment's notice, should anything offer. The uncertainty in politics and foreign policy. Respecting the troops for Virginia, at which the French take umbrage. Non arrival of Mirepoix. Unless the French send more troops they will be over-matched. Commodore Edgecumb been lately from Gibraltar to Marseilles to carry Braddock. He is to return to Gibraltar to guard against the Sallee. Friendly messages.	15
December 20, London.	O. O. (Mrs. Ourry) to Major Ourry. With an account of the duel between acting Lieut. Montague of the "Deptford" and Mr. Ourry. (See also p. 27).	35

1754.
December 26, J. Ourry to his brother. Sending letter from his sister-in-law, for which he is to prepare his father. Has sent the things required. No change yet in the Ministry. Mr. Edgcomb not yet in the Admiralty. The letter follows giving a very incoherent account of a duel. Page 20
1755.
January 18, London. Same to Lewis (Ourry.) Respecting articles to be sent. Gen. Hush sends messages to Jersey. Money matters. His (J. Ourry's) prospects of employment in the navy, and his appointment as third lieutenant in the "Litchfield," 50 guns. He is to rendez-vous at Spithead to pick up sailors. Personal gossip. 23
- January 22, London. Same to the same. Has been sworn in. Mr. Durrell's affairs; the jealousy of Gen. Hush. Durrell's dismissal may cause bad blood among the great ones; advises caution which he will observe himself. Is to rendez-vous at Tower Hill to engage sailors. Report of a French expedition to America. The orders to press seamen not yet issued. Sends commissions for clothing, &c. 27
- January 24, Woodlands. C. O (Mrs. Ourry) to Major Ourry. Letters from Mr. Ourry by way of Gibraltar, with an account of his duel, and subsequent illness. Probability of war at which she is in great panic, although she will not betray it to her husband, whose duty it is to continue in his profession. Would scold him about his fears of the small pox for the children, as they are at a good age to receive it; her own little girl is near a good sort of small pox, and she hopes. Mr. O. will have her inoculated, but doubts it. Polite messages. 32
- February 16, Woodlands. Same to the same. Contradictory reports as to war. Prospects for Paul and George &c. 36
- February 27, Plymouth. J. Thomas to ——— Has got the butter released that was in the vessel seized for infringing the customs regulations. The Captain had not been smuggling but had on board Irish *wollings* (woollens) which subjected the vessel and goods to be forfeited but not any other part of the cargo. 37
- February 28, London. J. Ourry to Lewis Ourry. Has raised about 375 men about Wapping &c., 80 of them by pressing. The letter is chiefly taken up with orders for his outfit. Was written, he says, at the rendezvous, the Hoop and Horse Shoe, Little Tower Hill, in the midst of drunkenness, confusion, women crying for their husbands who have been pressed &c. 38
- April 9, Litchfield. Same to Capt. James Dauvergne. Respecting the efforts making to get a commission for his (Ourry's) brother. 42
- April 9, Same to Lewis (Ourry). Cautions him (Lewis) against precipitancy in the matter of the commission in the Marines. Their friends are busy in strengthening themselves in the Government, and should not be troubled. The expedition to the West Indies laid aside for the present; his own uncertain position in the navy, but takes it without uneasiness. Family news. Barton to command the "Litchfield"; her present commander to take the "Oxford" a new 64, and to take his officers with him. 43
- April 18, Spithead. G. Holman to the same. With a gazetteer. 48
- April 24, Portsmouth. D. Carteret to Lieutenant Ourry. Will be glad to take the wine and other liquor intended for Mr. Isaac Ourry who had sailed before its arrival. 49
- April 25, Plymouth. J. Ourry to his brother. Is ready to sail with his ship for the West Indies, under Barton. Stevens wanted to take his officers in the "Oxford," but there was no time for the exchange. 50
- June 6, Mrs. C. Ourry to Major (Ourry). The "Daptford" now at Mahone from Gibraltar. Peace or war yet uncertain. Looks for the appointment of Mr. Ourry (her brother-in-law) to be one of the Alderman of Plympton but is doubtful of gaining the interest that will carry the appointment. 51

1755.
June 2, Mrs. C. Ourry to Major (Ourry). George Ourry appointed lieutenant. War yet uncertain; peace talked of, unless blows on the coast of America should bring on war. To judge by the ships put in commission and the warm pressing the French should soon be attacked. Never suffers a newspaper in the house for fear of false news. Family message. Urges inoculation. Page 53
- June 30, George Ourry to Major Ourry. Hopes to get his commission after London. examination. Preparations for war still going on. Bing (Byng) to sail with a fleet for the Mediterranean. Private messages. 55
- July 25, Same to the same. Has been put in command of the "Elizabeth" tender Chatham. to go to Hull to receive orders about pressing. It is believed that the French have declared war. Supposes they had heard of Admiral Boscawen (Boscawen) having taken two French men of war of 64 guns each. 57
- December 11, Agreement (in German) of Abraham Draxell to go to America for Hague. three years as groom to Lieut. Bouquet. 58
1757.
September 8, John Hunter to Bouquet (?) With bills of exchange; the profit on New York. negotiation to be accounted for to the public; how receipts are to be sent. 59
- November 1, P. R. Daulius to Bouquet (in French). Protestations of good will. Poitiers. &c. 61
- November ? Representation, signed by Bouquet, of the field officers to Lord (Not dated.) Loudoun, respecting the want of quarters for the troops in South Carolina, and the neglect of the Assembly to provide them; the great sickness of the troops in consequence. 63
- December 22, Complaint of the commissioners of the fortifications to the Governor of Charlestown. South Carolina of the troops burning materials, sheds, &c., for fuel. (Two courts martial were held, but the proofs being defective the prisoners were discharged). 68
- December 30, John Calcraft to Bouquet. That he is to rank as colonel in America Channel Row. only. Stanwix, Forbes, Whitmore, Lord Howe, and Lawrence to be Brigadiers for America only, Gage and Montgomery to be colonels on the same footing. 70
1758.
January 1, Col. John Armstrong to Bouquet at Ligonier. The regulars and Fort Bedford. provincials had marched before his (Bouquet's) orders were received; has sent to stop them. Major Halket has gone off to meet the General. Is anxious for Bouquet's arrival for orders respecting Indian goods for Pittsburgh, &c. Pennsylvanians marching to be at Bouquet's orders; 250 regulars to follow. Hints how the Pennsylvanians should be disposed of. 71
- January 19, Governor W. H. Lyttleton to Bouquet. Enclosing copy of resolution Charlestown. of the Assembly respecting the independent companies, so that they may be supplied with provisions. 73
- January 20, Major John Tulleken to Bouquet. Sending monthly returns of the New York. six companies from Albany. Stanwix not arrived from there, but as Gage and his wife have gone there, hopes to see Stanwix shortly. General Abercrombie sailing for England. Is preparing tents, &c. "The Lord knows what is to become of us next campaign." Has given Amherst information about Alabama, &c., but said that he (Bouquet) could give fuller information. 74
- February 21, Paul Dunore [Demeré] to Bouquet (?). Arrival of the Little Carpenter Fort Loudoun and the Great Warrior of Chotee, with their party, prisoners and scalps; they are well received and treated, and set off. The Little Carpenter returned to treat for the ransom of prisoners, declaring he knew the designs of the French and would oppose them. A band about to make war on the French. Has supplied them with powder. About 130 Cherokees gone to

- 1759.
- the assistance of Virginia. The scarcity of provisions in the fort, and no word of the contractor; some hogs sent by the Indians. The proposed expedition of the Indians will require more powder and lead than he has. Encloses a deposition from one of the French prisoners. Page 76
- February 22, Bouquet (?) to Mr. Smith. Thanking him for the new magazine he
Charlestown. had sent with remarks on some of its contents, &c. 80
- February 22, James Gregg to Bouquet. With a statement of his capture, and the
Charlestown. time he was a prisoner with no allowance for pay or clothing. 82
- February 27, Governor Lyttleton to the same. That he has sent officers of the
Charlestown. provincial regiment on recruiting service. 83
- March 1, John Napier to the same. Sending questions from the Governor
Charlestown. respecting the accommodation wanted in quarters for officers and
men. 84
- March 25, B. Schulthis (Schultz) to the same (in French). Sending uniforms. 85
London.
- March— Agreement made with the Governor of South Carolina for the clearing
Charlestown. of quarters, that is, for the payment of a specified rate. 85
- April 27. The Maryland Gazette, with the Militia Act. News of naval affairs &c.
in Kingston, Jamaica. Arrival of Admiral Hardy with transports at
Halifax. Arrival of captured French vessel at New York. Additional
report from Halifax of troops being collected to attack Louisbourg.
List of the Fleet under Boscawen. Arrival of Susquehanna Indians at
Philadelphia, &c. 87
- May 5, General James Abercromby. Warrant to Bouquet to enable him to hold
New York. courts martial. 109
- May 5, Same to the same. Warrant to empower Bouquet to draw for subsis-
New York. tence, &c. 111
- May 6, Francis Stephens, receipt for rifles delivered to Brigadier Stanwix. 113
New York.
- May 8, Resolves of the Lower House of Assembly in the Province of Maryland
respecting the duties and obligations of the militia and the extent of the
Militia Act. 114
- May 9, Captain Harry Gordon to Bouquet. Arrival of waggons, &c. How to
Carlisle. replace the damaged pork with English beef, now at Alexandria. "The
cheat of the pork was a damnable one," for which Governor Sharpe will
be displeased with his people. Respecting people to ride post. 116
- May 20, Samuel Carne to the same. Respecting his claim against Surgeon
Charlestown. McLeane of his (Bouquet's) Regiment. 118
- May 20, Madame Fesch to the same (in French). A friendly letter. 120
Sophy Hall.
- May 25, Dr. L. MacLeane to Sir John St. Clair. Statement of the extra-
Philadelphia. ordinary reception given to Dr. Russell by Mr. Forbes, in respect to his
(MacLeane's) case. 122
- May 25, Brigadier Stanwix to Bouquet. Respecting rifles and tents for the
New York. 60th. 124
- May 25, George Stevenson to Thomas Donnellan. Preparations for the trans-
York. port of provisions. 125
- May 26, Col. Adam Stephen to Bouquet. The difficulty of supplying provisions.
Winchester. How Braddock suffered for want of them; his recollection of that time.
Present preparations for transport. 127
- May 30, George Stevenson to the same. In reference to the application for the
York. release of soldiers charged with offences, can only release them after
hearing evidence. If the wounded man, who is the accuser, is satisfied,
it is possible he may withdraw the charge. 129
- May 31, Same to the same. Has forwarded the instructions to Capt. Hunter; is
York. afraid he cannot march so soon as he (Bouquet) expects, as the men are
not provided with anything; there are not even orders as to what their

- 1758.
- uniform is to be. Cannot conceive what the Province means by not equipping the men. His want of success as regards the transport of provisions, arising from the fears of the people that they will be unfairly treated. Page 131
- June 3, Capt. Robert Callender to Bouquet. His arrival over bad roads; Fort Loudoun is sending to repair the roads towards Shippenburg and Littleton. Ropes, &c. wanted for the waggons. 135
- June 3, George Stevenson to the same. Orders sent by General Forbes as to Lancaster. the uniforms of the new levies. 137
- June 4, Martha May to the same. Pleading that she may be forgiven and let Carlisle. out of gaol for the abuse she gave him when in a passion. 139
- June 4, Edward Shippen to the same. The difficulties in relation to transport; Lancaster. has sent out fresh warrants for waggons. 141
- June 5, Major Hugh Mercer to the same. His advance to Loudoun and Ft. Lyttleton. on wards; the difficulties of the road which Callender's men are repairing; has added men of his own to help in the work. Return of Indian scouts; they had lost one man in a fight near Fort Priscoisle (Presqu'Isle). He sends list of articles wanted. 143
- June 5, Capt. David Jameson to the same. Arrival of recruits; their disposition York. ; their want of necessaries, &c. 145
- June 6, Col. Adam Stephen to the same. Arrival here with recruits; is sending Fort Loudoun men to repair the roads. He is busy with the Cherokees. Capt. John, with 25 Catawbas, has arrived from Winchester. 146
- June 7, Same to the same. The presence and behaviour of the Indians. The Fort Loudoun French are reported to be busy strengthening Presqu'Isle. There are no necessaries for the sick at the fort. Work on the roads; the necessity of feeding the men well. 147
- June 9, Lieutenant J. Billings to the same. The condition of the pork; part Carlisle. of it allowed to be sent on after inspection. 149
- June 9, Sir Allan MacLean to the same. Has received his route on arrival Lancaster. according to orders of Gen. Forbes. Artillery will be up next week, besides tents, &c., for the provincials. Armstrong to form companies of rangers, and to complete his own and Bird's battalions. Montgomery and his corps at Philadelphia to march on Wednesday. 151
- June 9, Edward Shippen to the same. Backwardness of the people to carry Lancaster. provisions from Carlisle to Ray's town, whilst ready to go to the Ohio. His exertions to make up the numbers required. 153
- June 9, Adam Hoops to the same. The arrangements for the transport of provisions Carlisle. He will obey Bouquet's orders, but will not put up with the method Stephen has introduced. 156
- June 10, Same to the same. Provisions sent off. Carlisle. 160
- June 12. Articles agreed upon at Conegogee for the march of the Virginian troops. 158
- June 12, Colonel John Armstrong to Bouquet. Victory of Hawke over a French fleet Carlisle. bound to Louisbourg. Arrival of Amherst and sailing of the fleet from Halifax. Is doubtful as to the proper distribution of the stores and thinks Ourry should be sent to rectify mistakes. 161
- June 17, Captain Thomas Bullitt to the same. The difficulty in clearing a road Carlisle. to Ray's town. 163
- June 17, Major T. Lloyd to the same. Denies the charges of not paying his Lancaster. people, and explains his money transactions with them. 164
- June 17, Col. John Armstrong to the same. Respecting tents, blankets &c; his Carlisle. satisfaction that the Indians are going. The draughts for completing regiments, and horses for mounting the light cavalry. Arrival of provincials. Movements of officers. 166

1758.
June 17,
Carlisle. Adam Hoops to Bouquet. Two store ships arrived at Philadelphia and everything required collected, except waggons. Where waggons have been collected; contrary to contract the farmers are keeping the best horses at home. Summary of stores &c. that have been sent off. Page 169
- June 25,
Carlisle. Capt. Robert Callender to the same. Has been detained by Sir John (St. Clair) till the General's arrival. Is, in the mean time, purchasing horses. 172
- June 26,
Carlisle. Hoops to the same. The country people deficient in their contract should forfeit £5 sterling: a horse of that value could be kept. The progress of the transport of provisions. The bad effect that will be produced by the confinement of Lisha, the waggon master. 173
- June 28,
Carlisle. Armstrong to the same. New road proposed between Forts Frederick and Cumberland, about 60 miles. Believes all this making of new roads will not favour the expedition. The troops are going to Maryland with reluctance. Introducing Mr. Beatty, the chaplain. 175
- June 28,
Fort Loudoun Lieut. John Billings to the same. Respecting Col. Lloyd's company; disturbance among the men at Col. Chambers'. 178
- June 29,
Fort Loudoun Capt. Harry Gordon to the same. That means will be taken to have the workmen warned of the numbers required daily. 177
- June —
Fort Loudoun Memorial of the waggons of Berks county, for the appointment of Jacob Weaver to be waggon master. 179
- July 2,
Fort Loudoun Capt. Harry Gordon to Bouquet. Respecting returns and certificates for work done by artificers. 181
- July 5,
Ft. Cumberl'd James Glen to the same. Expects to see him (Bouquet) soon, and desires to know where Gen. Forbes is. 182
- July 7,
Juniata. Capt. Jacob Morgan to the same. Asking that a deserter who has given himself up may be pardoned. 183
- July 7,
Juniata. Same to the same. Sending up five deserters, for sentence by Bouquet. 184
- July 9,
Ft. Cumberl'd Col. Byrd to the same. Will send off Indians towards Duquesne to catch a prisoner. These Indians may be of use to the General but not if the road by Ray's town is taken. Recommending to his protection the officers that may join Bouquet. 185
- July 13,
Juniata. Capt. Jacob Morgan to the same. Quarrel and shooting among the grass cutters. Progress of work on the fort. 187
- July 14,
James Glen to the same. Will give him verbal information. False reports respecting the Indians. 188
- July 14,
Carlisle. Adam Hoops to the same. Respecting the provisions for Cumberland. 189
- July 17,
Raystown. Major Andrew Lewis to the same. Respecting the obtaining of carrying horses. 190
- July 17,
New York. Alexander Colven to Major Halket. The actions and repulse at Ticonderoga. List of the killed and wounded. 191
- July 17,
D. Q. M. G. Sinclair to the 60th. Orders to purchase bacon and forage. 194
- July 17,
New York. Alexander Colven to Brigade Major Francois Halket. Sending copy of letters from Dr. Middleton, describing the repulse of the army by the French at Ticonderoga. 195
- July 20,
Winchester. Richard Vernon to Col. George Washington. Respecting arrangements for the transport of provisions. 198
- July 22,
Raystown. Capt. Harry Gordon to Bouquet. Declining to give public orders to build a kitchen for the general. 199
- July 25,
Fort Loudoun Col. John Armstrong to the same. Arrival here from Shippensburg. Troops employed in mending the roads to Juniata and Ray's town. The delays on account of the bad state of the artillery waggons. 200

1759.
 July 26, Kickeny Pal-
 lens. Major George Armstrong to Bouquet. This is the best place for a
 deposit between the Alleghanies and Laurel Hill. Will go to Loyal
 Hannan to examine its suitableness. Dunning's report as to road, stages
 &c., is pretty true. Page 203
- July 27, Drowning
 Creek. Same to the same. (Drowning Creek is another name for Kickeny
 Pallens), Marched towards Loyal Hannan and returned. Its desirable
 situation in a military point of view. Preparations; Indians hovering
 near. Troops attacked with fever and fluxea. Indians only help to con-
 sume provisions. 204
- July 29, Drowning
 Creek. Same to the same. Non arrival of pack horse men with horses at Ray's
 town. The work done on the roads. The immense consumption of
 provisions by the Indians. 206
- July 30, Drowning
 Creek. Same to the same. Progress of work on the roads. 203
- August 2, Albany. Major Tulleken to the same. Account of the casualties in the action
 (Ticonderoga) List of promotions. Stanwix gone as far as Oneida on the
 German Flats to build a fort. Abercromby at Lake George. Strong parties
 carried off by the enemy; general uneasiness. 210
- August 2, Drowning
 Creek. Major Armstrong to the same. The scarcity of provisions; sickness
 among the men. 213
- August 7, Drowning
 Creek. Same to the same. With returns of officers, men and provisions. Pro-
 gress of work on the roads. Asks for orders to advance; parties sent
 out. 214
- August 8, Drowning
 Creek. The returns follow. 216
- August 8, Drowning
 Creek. Same to the same. Parties sent off to intercept the enemy who had
 committed hostilities between Lyttleton and Juniata. 217
- August 8, Edmund's
 Swamp. Col. Stephen to the same. The difficulty in the way of making roads;
 wants more men so that he may be able to go on with the work and
 keep out scouting parties. Arrival of Indians, who help to devour the
 provisions. 218
- August 10, Edmund's
 Swamp. Same to the same. Has successfully begun a road through a place
 called the Shades of Death. Illness of Dr. Johnston; a surgeon needed
 for the sick and wounded. The enemy do not suspect the attempt to get
 to Loyal Hannan. Regarding tools. 220
- August 11, Drowning
 Creek. Major Armstrong to the same. Has been attacked near Fort Duquesne
 by the Indians. He has sent off two parties of Indian scouts. 222
- August 12, Quimahony
 Creek. Nathaniel Thompson to Col. Stephen. Patterson has returned, the
 Indians having escaped him. Is afraid for Allan; his rashness in pur-
 suing the Indians with too small a party. Wishes for a strong force so
 that they need not be afraid of the French. 224
- August 13, Edmund's
 Swamp. Stephen to Bouquet. Arrival of Bullis with the Virginians.
 Armstrong sent to the junction of the paths from the northward to Fort
 du Quesne; discovered by the Indians owing to fires lighted contrary
 to orders. The bad management of the affair; it was a golden oppor-
 tunity lost. The road blazed to the westward. A strong party of
 Virginians in readiness to march in that direction. 226
- August 15, Highland
 Camp. Dr. L. MacLeane to the same. Remonstrance as to his bills being
 returned by Dr. Stewart. Asks that the general give orders about his
 pay and requests that he may be allowed to act as surgeon to Stewart's
 light horse, in addition to his other duties. 228
- August 15, Edmund's
 Swamp. Stephen to the same. Has been dissuaded by Sir John St. Clair from
 sending men over Laurel Hill; has reinforced the post of Kickeny Pawlina.

1756.

The difficulty of making the road; when finished he will leave the men at three encampments. Page 230

No date
August (?)
Upon the
road.

Stephen to Bouquet. The progress of the road, the want of beef and rum. Cross cut saws wanted to cut up the petrified old logs which break the axes to pieces. 238

August 18,
Stony Run.

Same to the same. The progress of the road; the deficiency in issues caused by the commissary's steelyards. Want of rum. 239

August 24,
Kick any Paw
has.

Same to the same. The men are in fine temper. Communication open to this place, and could have encamped but was ordered by Sir John St. Clair to delay till his arrival. Invalids sent down to the General Hospital. 233

August 26,
Fort Dewart.

James Burd to the same. Arrival of troops and waggons; hopes to have all encamped that night on the other side of Edmund's Swamp. An advantageous post nine miles on the other side of Laurel Haining (*sic*) discovered by Rhor. Thinks it best to examine both it and Laurel Haining, so as to ascertain which is best. Progress of the roads and the difficulty in their construction. 231

August 26,
Quimabony.

Adam Stephen to the same. Journal of proceedings in opening roads, &c. His remarks and complaints as to the conduct of the Quarter Master General. The journal extends from the 17th to the 26th. 234

August 28,
Dewart.

Col. John Armstrong to the same. Lt. Col. Hamilton and Major Jamieson to join Sir John for cutting the roads; detachment. The number of posts on low ground is a disadvantage. Has received liberty to go to Rae's Town, but prefers to see the result of the attempt to reach the Ohio. Is still suffering. The bad state of the draughts under Allen; there has been much neglect. Suggests the arrest of the officer in charge. 240

August 28,
Quimabony.

Col. Burd to the same. Will march with the artillery to the foot of the hills and on to Laurel Haining. Will go with Major Grant to see the place Mr. Rhor reports and leave 50 men. Stephen under arrest by Sir John. His other arrangements. The 50 bullocks will be an agreeable sight. Virginian troops reported not fit for service for want of shoes. Will leave the Pennsylvanians to replace them. 242

August 29,
Quimabony.

Same to the same. Bad state of affairs between Sir John St. Clair and Stephen. Has avoided quarrelling. Sir John's complaints of the roads. Scarcity of pack horses and live cattle. Will proceed to Laurel Haining with 4 companies of Royal Americans and 5 companies of Highlanders, leaving the rest with Sir John for road work. Distribution of troops. Capt. Parris has been in sight of Fort du Quesne but could not take a prisoner. No definite news of French strength. 244

August 29,
Quimabony.

Same to the same. Delayed by the bad state of the artillery waggons. Preparations for forwarding provisions. Progress in making roads. The force with Sir John St. Clair. Cartridges not arrived. 247

August 30,
Quimabony.

Same to the same. Progress of the advance to Loyal Haining. One of Captain Shelby's officers taken near Fort du Quesne. Has received plan of du Quesne from an Indian. Means shall be used to reconcile Stephen and St. Clair. 249

August 31,
Clear Fields.

Same to the same. Sends copies of the two preceding letters which had been intercepted. Arrival of Lieut. Hays after viewing the *gape* on the Laurel Hill. Troops detained by rains. State of provisions. Progress of the road. Can't go beyond Loyal Haining owing to quarrels between Stephen and St. Clair. Cartridges found. 251

September 1,
Clear Fields.

Same to the same. Scouts sent to waylay the roads at Fort Duquesne, to take the light horse man or a prisoner; the men to keep concealed and not to attempt a scalp. To shoot the light horse man, if they can-

17 8.

- not take him and secure his papers. Arrival of flour &c. Progress of the road. Page 253
- September 2, **Stony Creek,** Armstrong to Bouquet. The difficulties in the way of obtaining provisions; the care of the sick and of the provisions left at different halting places. The necessity of protecting the rear of the communication and of strong escorts for provision trains. Small posts should be given up. Is recovering his health. 254
- September 3, **Belle Air.** Same to the same. Will set out for his (Bouquet's) camp as soon as he is able. Sir John St. Clair's satisfaction at the work done by Armstrong's men. His doubts as to Bouquet's orders regarding the distribution of troops. 257
- September 6, **Loyal Hannan.** Burd to the same. Movements and employment of troops at breast-work &c. Scarcity of provisions; arrival of flour. New camp selected. Returns sent. Arrival of the General expected. 259
- September 7, **Albany.** Lieutenant Thomas Barnsley to the same. Returns sent of the 1st Batt. Royal Americans, and list of promotions; James Abercromby, Lordon, to act as agent. General Abercromby getting every thing ready at the Lake to attack Cariloun (Carillon); so soon as he is reinforced from Louisbourg. Account of an attack by Rogers on 600 French who had been in ambush; defeat of the French and death of a leading Sachem and 40 Indians; good effects of the victory. Capture of Fort Frederick also Cadarughque (Cataragui) by Broadstreet, with arms, ammunition, provisions, furs, ships &c. 263
- September 10, **Rea's Town.** Col. Hugh Mercer to the same. The General ill at Fort Loudoun. The light horseman, supposed to have deserted, has returned, having lost his way in the woods. 265
- September 10, **Rea's Town.** James Young to the same. The General's serious illness; St. Clair has gone to Philadelphia. 266
- September 10, **Loyal Hannan.** Capt Harry Gordon to the same. Report on the roads and redoubts, &c. 267
- September 13, **Loyal Hannan.** Lt. Col. H. Hamilton to the same. Explaining the cause of his striking the sergeant; he hopes it will be passed over. 269
- September 14, **Rea's Town.** Mercer to the same. State of the provisions. The precarious state of the General's health. 270
- September 14, **Rea's Town.** Lt. Col. Dagworthy to the same. Defeat of a party near Fort Duquesne. Major Grant still surrounded by the enemy. 272
- September 15, **Dagworthy's Camp.** Stephen to the same. The disastrous character of the defeat mentioned in preceding letter. 273
- September 15, **Stony Creek.** Armstrong to the same. The progress of repairs on the roads; the proposal for bringing up provisions, which are nearly exhausted. Hopes to be allowed to visit the General to clear up prejudices against him and his corps &c. 274
- September 15, **Stony Creek.** Stephen to the same. Has been 15 miles to the westward to succour the distressed; cause of the late defeat. The Indian reinforcements to the French. The great loss of officers and men of the British troops. 276
- September 17, **Stony Creek.** Armstrong to the same. How the escorts have been strengthened in consequence of the strong parties of the enemy that are out. 277
- September 19, **Rea's Town.** Brigadier Forbes to Paymaster General Thomas Barron. Order for the subsistence money for four companies of the Royal American Regiment. 279
- September 20, **Lancaster.** Lieut. Em. Heese to Bouquet (in French). His serious illness. The success of Bouquet's gradual advance. The success of Bradstreet at Frontenac; its effect on the Indians. 281

1758.
September 20, Loyal Hannan. Capt. Harry Gordon, R.E. Calculation for the building of bateaux. Page 283
- September 22, Duquesne. List of the prisoners taken at Fort Duquesne, signed Desligneris. 284
- September 22, Duquesne. Desligneris, Governor of Fort Duquesne to ——— (in French). That he has treated the prisoners taken in the action of the 14th, with every consideration. Has sent M. de Rocheblave to escort the officer who brought the letter to which this is an answer. Asks that M. Nelitre (Belêtre ?) a French officer taken by the Savages may be withdrawn from them and cared for. 285
- September 24, Stony Creek. Armstrong to Bouquet. The misfortune to Grant may not turn out so bad as was feared. Bridges to Fort Dudgeon repaired. Progress of work on the roads. The prejudices raised against him and his battalion. 287
- September 25, Instructions for Colonel Burd, camp at Loyal Hannan, as to roads, redoubts, &c. 289
- September 29, Loyal Hannan. Burd to Bouquet. Return of Captain, Trent and Indians from Fort Duquesne with one scalp; Trent had found a good road to Duquesne, Enemy reported to be about the advanced post. Court of inquiry on officers. Flour received. 292
- October 1, Albany. Major Tulleken to the same. He and other wounded recovering. Great things expected from him (Bouquet) since Bradstreet has cut off provisions from the French and Indians. Abercromby has resolved to go up the lake once more; Amherst with five regiments has marched from Boston for the Lake (Champlain). Has determined to go himself, but is more afraid of the weather than of the enemy. Does not know, even if successful, how they are to bring back the artillery and stores to Fort Edward, but the General is resolved upon the expedition. Stanwix with 4000 men still on the Mohawk; all but two companies being provincials. Wolfe has gone with three regiments to the St. Lawrence, and it is imagined he will succeed. 293
- October 12, Loyal Hannan. Burd to the same. Has sent felling axes by Lloyd. Attack on the camp, reported by a wounded prisoner to be by 1200 strong and 200 Indians. Attack repulsed; expects a second. Adds in a postscript they had again been fired on. 296
- October 13, Loyal Hannan. Same to the same. The enemy has continued to harass the fort all night; he believes they have had enough for the present. 293
- October 15. Memorandum on the loss of a rifle by one of the soldiers. 299
- October 19, Loyal Hannan. Lt. Col. Hance Hamilton to Bouquet. Apologising for his conduct, which he attributes to the effects of too liberal a glass. 300
- October 19, Fort Edward. Captain Gavin Cochrane to the same. Sending returns of invalids, &c., not with the regiment, so that they may not be entered in two muster rolls. Winter quarters to be at Albany. 301
- October 27, Charleston, S.C. Copy of protested bill drawn by Lau, MacLeane, on Charles Eeles, London, 16 November, 1757. 302
- October 27, Charleston, S.C. Samuel Carne to Bouquet. Asking a remittance for so much as can be recovered of protested bill of Dr. McLane. (p. 302). 304
- November 10, Loyal Hannan. Questions proposed by Bouquet and other colonels on the expedition against Fort du Quesne to Captain Gordon and Lieutenant Dudgeon, Engineers, as to the defensive measures that would be necessary to secure the stores, &c., with answers. 306
- No date. Memorandum to His Excellency the Governor respecting the quarters, fire, &c., in the garrison of (Charlestown, South Carolina ?) &c. 308

1758.
 No date. Directions to the magistrates, &c., of South Carolina, about the quarters, carriages and ferryage of His Majesty's troops. Page 312
- November 11, Council of War. The reasons for and against an advance on the enemy
 Pittsburgh. at this season. 341
- No date. Proposition for a winter expedition. Endorsed: Papers concerning the expedition of 1759. 343
- November 12, Capt. Gavin Cochrane to Bouquet. Capt. Schlosser's company
 Albany. is at Fort Miller, six miles above Saratoga; the other five companies at Albany. Abercromby is recalled; Amherst succeeds. Stanwix expected. Clothing for the six companies. 305
- November 20, Major John Tulleken to the same. Since the second attempt on Ticonderoga has been abandoned, he has decided to go South; will stay here till the questions as to command &c. are settled. Stanwix will probably go home, as Amherst his junior is appointed to command. Gage to be Brigadier; Prevost will probably resign. Officers' movements. Clothing and tents wanted; also recruiting parties. Distribution of troops. 314
 New York.
- November 20, Captain Francis Lander to the same. Asking leave to sell out, the
 Fort Du campaign being now over. 317
 Quesne.
- December 2. Stephen to the same. Respecting the command at Pittsburg. 318
- December 8, Captain Thomas Bullet to the same. With remittance. 319
 Bay's Town.
- December 14, Adam Hoops to the same. Respecting provisions at the different posts,
 Fort Bedford. Cumberland, Lancaster, the upper forts, &c. Is leaving for Carlisle. 320
- December 15, Captain John Paine to the same. Asking for remittance of procla-
 Bea's Town. mation money to enable him to join his regiment. 321
- December 16, Tulleken to the same. Rejoicings for his success at Fort Du Quesne,
 New York. but the uneasiness caused by the long march before him. The letter is full of the details of the movements of officers, the expectants for place, the marriage of Gage to the Duchess of Brunswick, &c. 322
- December 16, Armstrong to the same. The prevalence of horse stealing. Provin-
 Bay's Town. cial rank being now at an end, he has not exerted any authority among the King's troops. The sickness among the troops. 326
- December 19, Morcer to the same. Barracks and bastions well advanced. Scarcity
 Pittsburgh. of flour. Indians troublesome; their extravagant demands. The people on the South Potomac will bring loaded horses all winter, if encouraged. Indian goods should be sent up to exchange for furs. 331
- December 20, Major Alexander Campbell to the same. The deplorable state of the
 Fort Bedford. troops from sickness caused by want of shelter and clothing. 333
- December 20. Inventory of officers' and soldiers' effects missing since the last engage-
 ment of Fort Du Quesne. 133
- December 23, Morcer to Bouquet. French fortifying Venango; they are preparing
 Pittsburgh. for a descent on Pittsburg and Loyal Hannan; they expect reinforcements from Priscile (Presqu'Isle) to make an immediate attack. He (Morcer) is busy raising defences. Precautions urged as to convoys of provisions, &c. The voracity of the Indians. 314
- December 27, Armstrong to the same. Royal Americans, Highlanders and other
 Fort Bedford. troops moving downwards to garrison posts. The prevalence of horse stealing and other villainy, but the neck of infamy is almost broken. Has observed orders as to passports; wishes to go to Carlisle. Remarks on the route chosen for the troops. 337
- No date. Detail for the march from Fort Ligonier, showing the proportion of
 artillery, &c., for 3,000 men, &c. 340

GENERAL CORRESPONDENCE 1759.

VOL. II, PT. I.

A. 14-1 www.libtool.com.cn

B. M. 21,644

1759.

January 3,
Pittsburgh.

Hugh Mercer to Bouquet. Has received news of reinforcements and shall attend to instructions. Nothing to be looked for from the Indians except intelligence of the enemy's movements and that at a high price. The argument to secure their services is to be sufficiently prepared. On the return of an Indian sent for intelligence, will report the number wanted for the defence of the post; in the mean time 500 men seem sufficient against a winter attempt. If the French are directed by their knowledge of the present force, they will not send a greater, but he thinks they may send a strong force when the Ohio is clear of ice. Measures he has taken to prevent surprise. The bateaux go on slowly for want of sawyers; pitch also wanted. Canoes may be bought for black wampum. The fort may contain 350 men by building barracks, &c. Want of artificers. How the men sent up should be selected. Arrival of flour. Hogs brought up by McCulloch from the Potomac; as he is the first to venture he should be rewarded, and is recommended as a good man for a contract.

Page 15

January 4
Carlisle.

Captain Harry Gordon to the same. Sends the plan of the fort at Pittsburgh, with a letter to Colonel Mercer, for his approbation; asks him to sign it if approved. Did not expect the enemy to move so soon; in any case the ditch could not be made with the garrison left there, and he supposed the post was only intended for a flying party. With the reinforcement sent up, will consider the best means of securing it as shown in the plan sent. Mischief might be done to Ligonier were any accident to happen to the fort at Pittsburgh. Recommends that Captain Robinson be sent to Pittsburgh as a practical engineer. Is sorry his (Bouquet's) stay on the frontiers is so long, as it may endanger his health. His own health injured, and at present his lungs are very much out of order. Asks for the survey of Pittsburgh by Captain Dudgeon.

1

January 6,
Fort Bedford.

Colonel John Armstrong to the same. The demand of a detachment of 80 Highlanders under Captain Alexander McKinsey (Mackenzie) for blanketing for under jackets and tailors to make them; how the demand was met and on what authority. About 170 more Highlanders and 50 Royal Americans coming will also want jackets; asks instructions for his guidance. Is looking for him (Bouquet) every hour. If he (Armstrong) could be of use in another campaign, is persuaded that this is not the place to be in at present.

4

January 6
to 12.
Fort Bedford.

Journal by Colonel Armstrong of what is taking place at Fort Bedford, between these dates.

7

January 6,
Fort Bedford.

Captain Mackenzie to Bouquet. Order sent by Major Halket to Major Campbell to send 200 able-bodied men, but as the order reached him at Fort Loudoun, only he, (Mackenzie,) could be sent with 85 men, of whom he was obliged to leave six at Lytleton and Juniata for want of shoes, clothing, &c, a want universal among the men. His application for blankets, for jackets (pp. 4 and 7). Has only taken enough for his own party, not knowing but that the General would supply the rest at Carlisle, so as to make up the 200 men. If not he shall be obliged to make further demands on the King's stores here to accoutre them. Had been ordered, if no instructions had been left at Fort Bedford, to proceed to Ligonier; does not expect the rest of the men before Wednesday or Thursday, and if they are unprovided with clothing, they cannot leave this place till the following week. Shall send them forward as accoutred.

1759. The Commandant Armstrong is timorous and confused, so that he (Bouquet) had better write explicitly what is to be done about the men. The necessity of having the men clothed, which the provincial gentlemen unacquainted with service don't attend to. Page 13
- January 12, Ligonier. Thomas Boyd to Bouquet. Arrival of hogs, of which 150 are sent to Pittsburgh under a strong escort. Cannot send the howitzers for want of horses. The garrison still sickly. Sends returns of provisions, &c. 19
- January 17, Carlisle. Captain James Sinclair to the same. Is astonished that he (Bouquet) should have accused him to the General of detaining letters and thus caused the march of the troops from Fort Bedford. Gives the dates of receipt and delivery and calls on him to clear him with the General. 20
- In the answer, dated 21st, Bouquet tells Sinclair that when he knows how to write and to whom he writes, he may be answered. Refers him to the General, with whom it may be expected he will observe the decency of his station. 21
- January 19, Pittsburg. Hugh Mercer to the same. A young Delaware who got into Fort Venango, reports that the garrison consisted of 100 men with seven officers all formerly stationed at Du Quesne; 200 men had marched towards the Lakes for Canada. Three Mingoes and one Delaware were hunting for meat for the garrison, whose stock of flour was also small. Description of the fort, which stands about 200 yards from the Ohio, a little below the junction of French Creek. It is intended to watch the communication to Ligonier so he has warned Colonel Lloyd, that he may not send out parties too few in number. Even the pitiful enterprises the French can undertake, if these accounts be true, can be disappointed. Two spies are gone off to watch the enemy's movements above Kaskaskias, one to Priscile (Presqu'Isle), and the Mingoes have agreed to report on the state of Niagara. Another sent up the Ohio to Castologas town, to get the different opinions, &c., of the Indians. Sends return and plan of Pittsburgh, with remarks. The ice has prevented the Indians from bringing either canoes or Indian corn. His difficulty is to save the flour without affronting the Indians, or to make them suspicious of greater parsimony here than among the French. A blacksmith is wanted entirely for the Indians, as their little jobs perpetually impede the public work. Asks advice as to housing some additional men. 30
- January 22, Philadelphia. Richard Peters to the same. Introductory phrases. He attends the Governor to New castle, when the Assembly meets. His (Bouquet's) hints about provincial officers will be useful. Poor Haldimand is in that vile Fort Edward and writes for a news as for an alms. Halket has purchased his majority, and sails by the "Kennington" man of war, with General Abercromby. Did he (Bouquet) or did he not intend an attack against the French fort when he began his march towards Fort Du Quesne from Loyal Hannan? "General Amherst comes here next week, on the 5th, before the Province Politicians meet and will make an Hog or a Dog on it. They say they will do every thing; I wish they may, but I think otherwise. Our proprietor is asleep at the helm, and the present master of the ship is at Athens among some curious antiquities." 35
- January 23, Fort Cumberland. Captain Pearis to the same. Desertion of a sergeant with 14 men. Had read his (Bouquet's) letter to those remaining who promised to serve faithfully till the 13th March. Has sent after the deserters hoping to get them back. 37
- January 24, Albany. Return of six companies of Brigadier General Stanwix's battalion of R. A. R. 39
- January 25, London. Madame Duplessis to Bouquet (in French). Had received his last letter when they were entering their new and large house, and felt keenly the bad manners of her son. She then wrote on that subject at some

1759.

length and would not repeat. Has not heard from DuPlessis since the eve of his departure for Louisbourg. Has sought in the list of dead and wounded but cannot find his name, so thinks he is still living, but does not know where. These uncertainties afflict her; a good mother may feel this at the prevision of the dangers which her son has to run. There is every race, age and condition among the 50 girls here, from the daughter of the Duke to that of the courtesan but she takes her own part. Has made a pet of General Abercomby's daughter, only four years old; her father calls every day. Gets news from all parts of the world; that from America would be most agreeable, if it brought word of his good health. Every one is going into mourning for the Princess of Orange. Has had a visit from the wife of the minister from Geneva. Page 39

R. Townshend, D.A.G., to Bouquet. Sends the new exercise sent by Amherst to be used in every regiment. 41

Armstrong to the same. Had expected him, but the other road was nearer, so was denied the pleasure. The birth and serious illness of his child. Major Jamieson going to York; had intended to go with him to Philadelphia, but is detained by the child's illness. Has written to Wark to go to Bedford and to Hamilton to take Wark's duty there, should anything happen to prevent him going. Shall not send off the sergeant's guard of Highlanders left here for sentry duty till further orders. Remarks on the unsuitable rations for the sick. Person wanted to take charge of the King's stores. Shall send his (Bouquet's) sword and coat; the other article sent forward. 42

General MacLean to the same. The bad conduct of his (Bouquet's) express. The state of Lieutenant Phillips' health makes it necessary he should be under medical care. Lient. (James) Sinclair is uneasy about the letter received from him (Bouquet); is sorry that what he wrote had been taken ill (pp. 20, 21). As the General proposes to do something in his favour with Amherst begs for his (Bouquet's) good offices. Hubbard has been struck off the list of officers in the Virginian Regiment; no reason assigned. 43

Sinclair to the same. Explains the reason of his writing as he had done (p 20) and assures him that nothing disrespectful was meant. 47

MacLean to the same. Has received his letter with his opinion of the gaping curiosity of the Americans. Describes a drunken scene on the part of a country justice and other two who had come to his room in Shippensburgh uninvited; their theological discussions, &c. His persecutor Osburn has got into serious trouble. 48

Hugh Mercer to the same. Report from Venango, confirming the former news as to the strength of the garrison, 40 from there had set off for LeBœuf to wait till the river opens and a supply of flour can be sent. Reported that the garrisons at Presqu'Isle and LeBœuf were very weak; the men lately there had crossed the Lake for provisions. Two young men from the Lower Shawanese town report that the heads of that nation are coming on a visit, and that no body of French is on the river from hence to its junction with the Wabash and Mississippi; other Indians report a party still at the mouth of the Muskingum. Robinson arrived with his detachment, two howitzers, Indian presents &c. Clayton's detachment from Ligonier has been recalled. Has only 45 shells and 14 boxes musket balls. Scarcity of flour; the country people beginning to bring Indian meal. Wishes whiskey were not sent up; his care to prevent abuse. 51

Captain Richard Pearis to Ourry. Complains that money to pay the men has not been received and that furloughs have been granted without his leave. 53

January 26,
New York.

January 27,
Carlisle.

January 28,
Carlisle.

January 28,
Carlisle.

January 29,
Carlisle.

January 29,
Pittsburgh.

January 31
Cumberland.

1759.

February 5,
New York.

Hugh Wallace to Bouquet. Had received his letter and would have answered it from the ruins of fort DuQuesne, had he not hoped to see him in New York. Has written Duplessis to join him (Bouquet) at once. Major Prevost leaves for Boston to day. Colonel Young expected to settle with Stanwix and Prevost, who are going home. Halket sails for England. No news from there for three months. Haldimand and Munster well. Respecting arrangements for paying his men, &c. Page 54

Report of court martial on a soldier attempting to desert. 56

February 5,
Cumberland.February 5,
Cumberland.

Pearis to Bouquet. Sends report of court martial; mutinous behaviour in the garrison. Has sent the prisoner (Ragan) to Fort Bedford, knowing him to be a sower of mutiny. Has sent return of flour &c. received. Reports investigation into the alleged stealing of horses. 58

February 7,
Pittsburgh.

Mercer to the same. Hopes his letters have been received since he last heard. Two Shawanese gone to find if any of the enemy are at the mouth of the Muskingum or Yellow Creek. A Mohican reports from the Scioto, two officers and 20 or 30 men to be there, and at the Salt Spring above Kaskaskias a large number of troops. Reports of Lake Indians coming to war here. Indian here have gone off to their towns afraid of the others coming, but due also to the scarcity of flour; will take every precaution to prevent any of the garrison from being scalped. Clayton has gone off to reconnoitre. Indian asks whiskey for delivering up a girl, who had been made prisoner; explains to him and other Indians, that all captives must be delivered up as the price of peace; if not delivered, they would be demanded in the middle of their towns. Sends returns. The late severe weather had closed the Monongahela, so that not one log has arrived for the new barracks, The men generally healthy. List of what is wanted for the posts, &c. 60

February 15,
Carlisle.

Sinclair to Adam Hoops. Fresh provisions wanted at the posts; to purchase 20 head of cattle. List of the posts to which they are to be distributed. 65

February 17,
New York.

Major John Tulleken to Bouquet. Sends this letter by Lapsley, appointed ensign in the battalion, The packet has arrived, but nothing is known of its news. Stanwix sends friendly messages; is waiting here for orders, The King of Prussia is in a fine way; war is the word and peace is no more thought of. 66

February 17,
Pittsburgh.

Hugh Mercer to the same. Since last writing nothing has happened. The Delaware chief has not gone to Presqu'isle for reasons given, and his friends of Kaskaskias are angry with him for letting his son go to Venango; the talk of these Indians shows their secret disposition. The old chief went himself to the Salt Spring and found only one officer and 15 men there, who were trading with the Indians. The officer told the chief that a thousand soldiers and a number of longhaired Indians were coming across the Lake from Niagara; the provisions and military stores had already come to LeBoenf, where a descent on Pittsburgh was in preparation, as soon as the Ohio was free of ice. News confirmed by another Indian. It is difficult to reconcile the different reports, but shall be prepared for the worst. Robertson is of great service; bateau building goes on slowly, from want of pitch, &c. The Ohio broken up and full of ice. The cold has been intense. Has heard that a strong reinforcement is comin. The French at Salt Springs seem left to keep up an interest in the Indians. 68

February 18]
Carlisle.

Sinclair to General Forbes. Why he did not write sooner. Thanks for the manner in which his rash letter is mentioned, but states he did not mean to be disrespectful to Bouquet, and expresses sorrow for having written it. Provisions sent off. Clark has dispatched a person to bring a return of the provisions at the different posts. The means he has

- 1759.
- taken to supply Ligonier. Maryland has sent 30,000 (pounds) of flour to Pittsburgh; cash wanted to pay the people who have returned. Returns have been obtained of arms sent to the provincial commissioners. Page 72
- February 19, Mary Billings to Bouquet. There being no longer any hope of her husband being alive, prays him to use his influence to obtain her a pension as an officer's widow. 76
Boston.
- February 19, Same to Captain Joscelyn. Respecting her pension and a claim made against her late husband. 77
Boston.
- February 19, Same to Mrs. Deborah Franklin, Philadelphia. Asks her to take charge of and to forward papers from Bouquet respecting her pension. 78
Boston.
- February 19, Lloyd to Bouquet. The number of Royal Americans at present effective here is 30; Highlanders, 110; Pennsylvanians, 102. Has detached six men to Stony Creek, the garrison being sickly; through Ourry's diligence Ligonier is stocked with provisions to the 20th March. Work done on the defences, condition of the armament, &c. 79
Ligonier.
- February 20, Lieut. James Grant to the same. General Forbes has ordered a medal for the officers who have been in the last campaign. "The medal has on one side the representation of a road out through an immense forest over rocks and mountains, the motto; 'Per tot discrimina.' On the other side are represented the confluence of the Ohio and Monongahela rivers, a fort in flames in the forks of the rivers at the approach of General Forbes, carried in a litter, followed with the army marching in columns with cannon. The motto: "Ohio Britannica Consilio Manuque. This to be worn round the neck with a dark blue ribbon." 81
Philadelphia.
- February 22, Tulleken to the same. Orders sent for camp equipage for the four companies. Amherst has ordered that each battalion of 1,600 men should give 100 for light infantry for the next campaign. The six companies to give 60 and the four companies 40. They are to be dressed accordingly. Respecting camp equipage, &c. 85
New York.
- February 23, Lieut. Allaz to the same (in French). Death of Lieut. Hess and the arrangements for taking care of his effects. 88
Lancaster.
- February 23, Captain Harding to the same. Wishes to sell out and asks his influence for leave to do so. 89
York Town.
- February 24, Dr. James Milne to the same. Asks for his influence to obtain a commission. 91
York Town.
- February 25, George Stevenson to the same. Sends a petition to be forwarded to General Forbes or suppressed as he thinks best. The people depend on him entirely for a settlement of their accounts. 92
York.
- February 27. Invoice of Indian goods sent from Fort Bedford to Fort Pittsburgh by order of Ourry. 93
- March 1. Journal of the daily occurrences at Fort Lyttleton from the 25th January to date. 94
- March 1, Lieut. Hugh Crawford to Bouquet. Reports the sickly state of the garrison and that there is no doctor. 104
Stony Creek.
- March 1, Mercer to the same. Sends returns of the garrison. King Beaver just returned reports that the messages met with a welcome reception, and proposals for peace would be gone into were the Indians assured they were sincere, as they can scarcely believe their numerous barbarities would meet with entire forgiveness. Report of the enemy's force at LeBoeuf confirmed. The Delawares removing to Kaskaskias to be out of the way. Weather favourable; all hands preparing to receive the enemy. The health of the garrison improving. Patterson's mad enterprise. Indians from Lake Erie asking if peace had been made with the Delawares, as the French were persuading them that the English intended to cut them off root and branch. They have gone back pleased.

1759.
 The policy of the Beaver to keep right with whoever is strongest. No more Indian meal to be sent. Page 105
- March 2,
 Ligonier. Lieut. Archibald Biane to Bouquet. The detachment of Royal Americans continues very healthy, and supposes the same is the case at Pittsburgh, although the sergeant never gives the least account. Respecting money. Thanks for the kindness about his commission and asks his support respecting his claim to rank. The number wanted to complete the garrison. The return of men firing at a target. Is sorry to hear of misbehaviour of the men in their quarters; they behave well here. A great deal of work has been done. Respecting tents, &c. 108
- March 2.
 Mercer to the same. The intelligence of the enemy preparing to move in force down the Ohio is confirmed. The news is spread among the Indians by the French. Will send for the reinforcement, &c. 112
- March 2,
 Ligonier. Lloyd to the same. Thanks for the relief promised. Sends returns of the work done for the month. The distressed condition of the provincials in the garrison described; it would be a charity to relieve them that they may have an opportunity to purchase cider and vegetables, the only means of reestablishing their health, and without which a great part of them can never make another campaign. Scouts sent out on the road to Venango and Presqu'Isle. The men believe the roads to be impracticable for cannon. One of his soldiers has made a plan of the road. Ensign Crawford is at Stony Creek with a sickly garrison. No want of provisions, thanks to Ourry. Jaundice epidemic in the garrison. 114
- March 4.
 Pearis to the same. Monthly returns sent; asks him to get the Indian accounts settled. The men in the garrison are waiting till the 15th, when they will abandon the post without their pay; many have deserted since receiving an advance. 118
- March 5,
 Fort Littleton. Ensign C. Graydon to the same. Sends returns and journal of occurrences (p. 94). He has kept minutes since his first arrival. 119
- March 5,
 Pittsburgh. Hutchins to the same. Confesses his mistake in the quantity of flour returned and asks forgiveness. 120
- March 5,
 New York. Tullcken to the same. The miserable state of the four companies represented to Amherst and how this has been done. News of officers, &c.; respecting the returns, &c. St. Clair is no friend to him (Bouquet), but he is little regarded, &c. 121
- March 6,
 Pittsburgh. Mercer to the same. The blunder committed by Hutchins in respect to flour, &c. A Shawanese reports a few French to be on the Muskingum and Scioto; they have been trading and are packing to return to Canada by Detroit. Could hear of no other parties on the Ohio above the Falls. The Shawanese are surprised and pleased to have been treated by the English so kindly. 125
- March 9,
 Winchester. Edward Hubbard to the same. Money received and paid over. The Assembly of Virginia has voted to recruit the regiment to a thousand and has, he hears, offered the command to Colonel W. Byrd. Colonel Washington has received thanks for his services and is resolved to have the conduct of Colonel Stephen examined by the Assembly, intending to lay before it all the crimes of which he is accused. Hopes to serve next campaign. 127
- March 10,
 Albany. Gavin Cochrane to the same. Is glad to hear he has come to Philadelphia, as there is now a chance of the battalion joining. The sufferings of the different parts of the battalion. Capt. Schuyler and his company have been at Fort Miller all winter. Sends returns. A light company has been formed. 128
- March 10,
 Ligonier. Thomas Lloyd to the same. The required detachment shall be sent when the strength of the post would be, Royal Americans, 30; High-

1769.

landers, 120; Pennsylvanians, 30. Officers deficient. Arrival of two ensigns of the Pennsylvanians on the route to Pittsburgh "to relieve who should please to be relieved, by them", to use their own words, for they had no orders and appeared to be in need of employment. Would have been glad to have kept one, but had no orders. It will be impossible for the garrison to furnish the escorts for the supply of provisions to be sent to Mercer.

Page 129

March 11,
Philadelphia.

Colonel Arthur Morris to Bouquet. That in the garrison of Philadelphia he cannot submit to any orders he (Bouquet) may take on him to give.

131

March (12?)

Same to the same. Had received his card. He, with Major Darby, would meet him at whatever hour and place he might fix upon.

132

March 12,
Albany.

Lieut. Thomas Barnsley to the same. Has heard from Tulleken that General Amherst had been appointed Colonel in chief to the regiment (Royal Americans). Sends a return of the changes among the officers. Respecting camp equipage and regimental accounts, &c. A large scout sent out from Fort Edward reports the killing of five Frenchmen, other five taken prisoners, and that a scout of 50 Indians was about Fort Edward and Saratoga. Shall send any other news the scout may bring. Haldimand has reported to Gage that Rogers had shown a small party at Ticonderoga, which enticed them out of the post, when he killed 40 and took five prisoners with a loss of three killed and an Indian wounded of Rogers' force.

133

March 15,
New York.

Tulleken to the same. Condoles on the loss of Brigadier Forbæ. Ourry is to go to New York as soon as possible, to settle his accounts. Captains Harding and Landers may send in their resignations; the price at which companies are to be sold has been fixed by General Amherst, who has ordered a return to be made of lieutenants and ensigns ready to purchase. Arrival of Brigadier Monckton at Halifax. It is reported that the great army is to go up the St. Lawrence; Admiral Sanders was to leave England the latter end of January.

136

March 17,
Pittsburgh.

Mercer sending intelligence brought by an Indian from Presqu'Isle, giving the number of men, etc., there; the promises of the Indians to side with the French not carried out, in consequence of belts sent by the English; 1500 Indians expected at Kaskaskias to consult as to their course. The Mingoes desire both nations to fight across the Great Water and not disturb them here, and that they had laid down the tomahawk. Description of the forts at Presqu'Isle and LeBœuf, with armament, etc. Reports of French troops at Venango, etc.

139

March 17,
Fort
Cumberland.

Captain Pearis to Bouquet. The satisfaction of the men in the garrison at his letter; had been obliged to confine 13, but released on the promise to stay till his (Bouquet's) letter came. Had borrowed £10 to pay the men which will satisfy them till he can get more. They blame Colonel Dagworthy for not sending the money; if they had received it when granted by the Province, most of the men would still be here. Sends returns.

146

March 18,
Pittsburgh.

Mercer to the same. Sends Indian report (p. 133). Shall not relax his vigilance and industry for securing his post. Progress of the work; ammunition secured. Has been obliged to borrow money. Arrival of Indian goods from Bedford; a poor assortment. The Indians have furs for sale and would return disgusted were they not taken. Complaints of indiscriminate trading. Sends Shiuga's speech; his faithfulness; about 60 Indians here trading. Indians determined to bury the French hatchet. Has not been able to discover any guns yet; some have been grappled a little way down the Ohio, but in very deep water. Scurvy is appearing; measles spreading, but not proving mortal. Hutchins ill

1759.

- with it. Vinegar and hard cider would be useful. Garden seeds and fishing lines wanted. Want of pitch for the bateaux. Fears of a flood on the Monongahela. Page 148
- March 20, Archibald Blane to Bouquet. Has drawn upon him for money to pay the men. Will draw more if he has an opportunity. The men's bad state of health. 152
Ligonier.
- March 21, Mercer to the same. No opportunity of annoying the enemy shall be lost. Bull (Indian) with a small scout, has gone off to Venango. Speir arrived with money; the few good days are reviving the sick. Shingas and his gang have gone home satisfied. What is to be done with prisoners brought by Indians? Supply of beef brought from Ligonier when it was exhausted; is keeping Indians out hunting. Hears that one half of the officers of the Pennsylvanians are resigning to follow the army next spring as sutlers and peddlers; believes that the Quarter Master should prevent such vermin from coming up. "Peace be to the manes of General Forbes, his name, for ages to come, will be dear to Americans and appear with lustre among contemporary worthies in the British annals." 153
Pittsburgh.
- March 24, Returns of the second division of the first battalion of the Royal American Regiment. 155a
York Town.
- March 28, Tulleken to Bouquet. Has sent on a deserter for trial. Bad conduct of Ensign McIntosh. He (Tulleken) is kept here till Colonel Young arrives. The four companies are on the march; hopes he (Bouquet) may see them in a fortnight. Report that General Hopson is dead. 156
New York.
- March 31, Return of the dimensions of a bridge over Wells' Creek, supposed to be sufficient to stand any flood. 158
Fort Cumberland.
- April 1, T. Lloyd to Bouquet. Returns sent. The condition of the Pennsylvanians is deplorable; the surgeon left here is himself sick. Asks that pay for the Pennsylvanians be sent; the officers had been obliged to engage their credit for necessaries, without which the men would have perished. The severity of the services required further exhausts them. Pork sent to Pittsburgh under escort; what is left is barely sufficient for two weeks. Indian corn received from Mercer; a large part of it damaged. Has sent 20 men of the 50 asked for by Mercer. There are only 35, and the other 15 are in the hospital. Colonel Mercer's demand for the whole; to exculpate himself, should any accident happen for want of them, asks for instructions. Respecting whisky ordered for the labourers, sick, &c., payment of which is refused by Ourry; reason for the order. Return received from Mr. Munro of the men ill with scurvy, who should be sent to Bedford. Seines sent to Pittsburg where there are plenty of fish. Respecting expenses. 159
Ligonier.
- April 2, Application to Benedict Dorsey at Fort Loudoun for carriage for goods to Pittsburgh, according to offer of Colonel Bouquet. 164
Philadelphia.
- Of same date a letter from the same person to Bouquet that they accepted his offer. 165
- April 4, Mercer to Bouquet. Is concerned at the prospect of his (Bouquet's) removal from this frontier. Cannot easily relinquish the hope of serving under him in another campaign; his sense of Bouquet's candour and indulgence. Will prepare a statement for Stanwix of the garrison and stores. The detachment of Royal Americans marches to-morrow for Ligonier. The Indian Bull has gone up the river for the latest intelligence. The garrison well supplied. Captain Robertson has the measles, but is recovering; not one has died of that disorder. 166
Pittsburgh.
- April 8, Rudolph Benedict to the same. Cannot send an exact account of the blankets and stores received from Ligonier, for reasons given. States all

1759.

he knows about the money received by Captain Lander. Respecting returns, with remarks. Concerning camp equipage &c. Is certain that he (Bouquet) will be surprised at Captain Lander's resignation, but he would have been more so had he seen the letter for the discharge of one of his sergeants, one of his corporals and three of the best men of his company, with an offer to pay £20 currency for each of them, in order to carry them to Charles Town. The loss to the Province by the death of the Princess Gouvernante (of Holland). Personal messages. Page 168.

April 16,
New York.

Tulleken to Bouquet. The loss of his (Tulleken's) poor boy was a blow, but he will get over it and serve the campaign. His application to quit the service was precipitate and has done him no good, he is afraid, with the Brigadier. Will set about the accounts. Recommendation to Strodman (Stedman?) who is sent to the fourth battalion. Sends a pocket book for his acceptance. 171

April 21,
Ligonier.

Lloyd to the same. Thanks for the promise of a surgeon. Must wait for the money with patience. Bullocks have passed and are now at Pittsburgh; had been obliged to take some to prevent his garrison from starving. Respecting vinegar for sourvy and whiskey; the garden in hands. The floods have swept the dam away. Notes regarding work, materials, &c. The relief of the frontier garrisons anxiously looked for. The first battalion of Royal Americans being ordered on the expedition gives hopes of his (Bouquet's) return. Asks for a millwright. The bravery and prudence of Lieut. Campbell in preserving his convoy from an attack by Indians. A party of sick on their way to Bedford surprised by Indians; the escort saved themselves leaving the sick of whom 11 were killed or missing. Other attacks by Indians. Lieut. Miles has been particularly active in pursuit. Note of men of the first and second battalions who have died since the 1st of April. 173

April 24,
Pittsburgh.

Report of Abel and Jacob Pearson, horse drivers, taken prisoners on the 6th April and carried to Venango, but made their escape and were brought in by some Mingoes. The threats of the Delawares; description of the fort at Venango &c. Indian scouts in the French interest out toward Pittsburg and Ligonier, &c. 292

An extract from Mercer's Journal, which follows, gives a description of the fort at Detroit, as given by two prisoners, who had been taken by the Indians about twelve months ago. About 50 French families live along the river below the fort and 70 above it; 400 soldiers have been stationed there, but at present there are only 200, the usual strength; the garrison poorly supplied. How they escaped, &c. 295

April 24,
Pittsburgh.

Mercer to Bouquet. Is pleased at the renewal of the correspondence. It being probable that no great force being at Venango, a spy sent off may have to go to Presqu'Isle, or he may be delayed by an unexpected outbreak of his countrymen, the Delawares. Has sent the General an account of Detroit, as given by two men lately escaped from there. The advantage of Charles Hill for a post. Excellent coal and limestone have lately been discovered on the Monongahela, nearly opposite to Pittsburg. Will attempt to make tar here. Chains wanted should Charles Hill be fixed on for a post. If the point on the River Duquesne is to be fortified, a foundation of stone must be raised several feet above its present level, as the Ohio was lately all over the plains and covered the floor of the fort. Refers to Lloyd for account of Indian scalping. The Delawares are still apparently in the French interest. Remarks on Indians. Late scandalous behaviour of the troops in face of the enemy. Remonstrates against removing the troops from the garrison, the officers do not wish to retire before the campaign ends, and the effect on the men would be disastrous. 178

1759.
April 26 to
May 12,
Pittsburgh. Intelligence sent by Colonel Mercer brought by Indians sent out during April and May. Page 183
www.libtool.com.cn
- April 26,
Carlisle. Colonel Armstrong to Bouquet. The steps he took respecting the claim for the two horses lost. Hamilton will resign rather than stand a court martial. Has sent ammunition. Engagement of a gunsmith and two small apprentices at twenty-five shillings currency a day. Rob, the blacksmith and his men, will take twelve shillings a day, though he thinks they are equal to carpenters who are offered a dollar a day, Rob must have a pint, or at least half a pint of rum a day for himself and his man. The miserable state of the people at Ligonier. The men here are little better than when they left the campaign, there are 60 of them, 15 not fit for duty. A trapper scalped; the danger to the inhabitants, so that patrols should be sent out; how these could be furnished. 190
- April 26,
Ligonier. Jacob Morgan to Lloyd. Respecting millwright who might be employed at Ligonier. 194
- April 26,
Ligonier. Lloyd to Bouquet. Respecting repairs to waggons, &c, and the difficulty of proceeding without assistance on the work from the regulars. Byrd reports from Winchester that 300 men are ordered to reinforce Ligonier; the Highlanders to be relieved on the arrival of these Virginian troops. Two millwrights recommended by Morgan. The corporal in charge of the escort for the sick (p. 176) found guilty of great misbehaviour. The unhappy men of the garrison at Stony Creek have been obliged to lie in a foot of water, covered only by a waggon cloth; 32 of the best men have either perished or been disabled. The officer is constantly asking for reinforcements; those sent have been sacrificed, but to preserve the post more must be sent on the arrival of the Virginians. 195
- May 2,
Bedford. Colonel Adam Stephen to Bouquet. Has just arrived with 300 men from Winchester, after a fatiguing march from heavy rains, deep roads and high rivers. Hopes that they will not need to return from Ligonier from want of provisions. 198
- May 3,
Bedford. Same to the same. Will do what he is ordered, but it is impossible to do the heavy repairs to the roads if 50 men are left here, many of the detachment being exhausted with the bad roads, &c., and he is carrying with him all who are able to go. What respect is to be paid to Sir John St. Clair's orders? 199
- May 4,
York. George Stevenson to Hoops. Cannot get horses to forward the flour. Warrants have been issued, but does not know how many horses can be got by this means. All the wheat here held at four shillings. 200
- May 4,
Lancaster. Adam Hoops to Bouquet. Sends Stevenson's letter; the prospect of getting waggons, &c. 201
- May 4,
Lancaster. Armstrong to Stanwix. The complaints from Ligonier about provisions are now removed; details of how the supply has been set. His brother, with Major Jamieson, set off to recruit in Maryland in consequence of the Governor's orders, a careful lieutenant is left at Bedford; all the other officers of higher rank are out recruiting. Colonel Stevens, [Stephen] with 300 men is on the march between Bedford and Ligonier; there are too few men for the convoys on this side of Ligonier. Hopes that the necessity for fresh provisions has not been overlooked. 202
- May 6,
Ligonier. Lloyd to Bouquet. Is sorry to have incurred his displeasure and explains. His returns regularly contained the state of provisions; enters into details at considerable length to justify his correspondence. 204
- May 12,
Pittsburgh. Mercer to the same. None of the enemy have been seen, and few friendly Indians till two days ago. Sends separately the report of the spy from Venargo, and other intelligence. Has postponed send-

1759.

ing returns till he heard from the settlements. Not an ounce of fresh beef in the fort for eight days and the state of the flour will oblige them to go on horse flesh, if it can be procured. The garrison becoming more healthy; only the Highlanders, who love the cold weather well, fall sick as the summer advances, but none dead as yet. Has not found pine fit to make tar, but has discovered a fine mill site on the south side of the Monongahela opposite the lower point of the island. The Indians speak fair, but at home are full of cabals; the French emissaries have done a world of mischief. Corporal Ellis, a prisoner, came in last night; he narrowly escaped being scalped when he called for the boat. Page 207

May 12,
Ligonier.

Captain Alexander McKenzie to Bouquet. Has heard that his regiment has left Philadelphia; his uncertainty as to when and where he can join. Hopes that Colonel Montgomery has not forgotten his detachment here; reflections thereon. Cannot understand why the detachment here is left to suffer without being relieved. Personally he will do all for the good of the service, but is surprised to hear nothing from the corps to which he belongs, and does not know how he is to supply the want of clothing, settle the men's accounts, &c. His confidence in Bouquet's management, &c. 210

May 15,
York.

George Stevenson to the same. The brigade of horses sent from here are chiefly bought by Adam Hoops. Hopes that oats may be got, and how cash can be procured. Cannot be at Lancaster, for reasons given; shall try to get waggons on the General's terms. Trusts that on representation his services shall be fairly paid for. Next week will be time enough to issue advertisements, &c., &c. 213

May 17,
Bedford.

Stephen to the same. Has been obliged to stay to forward supplies for the garrisons, which have been in great want but are now supplied for the present. He has forwarded 42,000 pounds of provisions since he came to this place, has had a detachment on the roads, and there are now ten waggons with pork on their way over the mountains. No tools here to build the Quemong bridge, and the escorts for convoys require all his men. Does not see how he can leave this without danger of starving before an active officer and some men come to relieve him. 215

May 17,
Bedford,

Same to Stanwix. Has only this instant heard of the want of provisions at Pittsburg. They have, however, received provisions before this, of which details are given. Reports his work as in letter to Bouquet. The necessity for pack horses and cattle at the garrison beyond the mountains can only be supplied from day to day. 216

May 21,
Carlisle.

Daniel Clark to Bouquet. Has sent off waggons with oats for Bedford, there to load flour for Ligonier and Pittsburgh. Is distressed for want of forage stores. The measures he has adopted for obtaining forage (oats, &c). He requires money, the country people having little faith in military payments. 218

May 21,
York.

Stevenson to the same. Shall send off to collect the waggons and fix the day and place for appraisement. Arrangements for packing and forwarding oats, &c. 219

May 22,
Lancaster.

Adam Hoops to the same. Has been at township meetings; the people say they will send their waggons; bags wanted. 221

May 22,
Lancaster.

Edward Shippen to the same. Is doing all in his power to get waggons; stuff for bagging wanted. 222

May 23,
Pittsburgh.

Return of skins, furs, &c., in store at Pittsburgh. 223

May 23,
New York.

James Leighton to Lieut. Barnsley, paymaster to the first Royal American Battalion. Respecting the accounts for recruiting, &c. 224

May 23,
Ligonier.

Lloyd to Stanwix. Defeat of 1000 Virginians under Ballet with a convoy of pork by a party of the enemy within four miles of Ligonier. A detachment sent off, found all the horses killed or taken, five of the

1759.

waggons burned, guns out to pieces, &c. The violent tornado and approach of night prevented him from doing anything but securing the pork, which he shall send for although it is difficult to get horses. The garrison is harassed to death with escort duty, and will soon be incapable of it especially when weakened by the march of the Highlanders. Has sent off a detachment to Stony Creek, which he is afraid the enemy intend to attack. Escape of a Royal American after being scalped near the fort. The detachment sent after the Indians returned in time to take part in Ballet's affair. The enemy, about 150, behaved with the utmost bravery. Sends returns of provisions. Sends express off under cover of night.

Page 226

Casualty return.

229

May 23,
Lancaster.

Colonel Burd to Bouquet. Reports his hopes of getting waggons next week, &c.

230

May 23,
Pittsburgh.

Mercer to the same. Skirmish between a corporal and ten men of the garrison and a superior force of the enemy. One man looking for game scalped; the Indians then attacked the others who got off except two old men, who were taken prisoners. A pursuit made but the enemy escaped. The most active Indians in the pursuit well rewarded. From the state of provisions cannot maintain many Indians at the fort, but the prospects for supplies are better. Is busy scouring the woods for spies, but without success. Two Delawares from Venango report that there are only 30 soldiers there at present, the rest having gone to Le Boeuf for provisions. A spy has been sent up the Ohio. Returns sent. Arrangements that it would be desirable to make for the sale of necessaries by the traders to the soldiers. Is glad that permission has been given to leave his people at the fort. Return of provisions at Ligonier follows (p. 235).

231

May 23,
Ligonier.

General return of the garrison at Fort Ligonier, commanded by Lieut. Colonel Lloyd.

267

May 24,
Lancaster.

Shippen to Bouquet. The failure of the meeting (p. 222) arose from a mistake; he goes this morning and has no doubt he will find the people hearty in the cause. Has distributed advertisements, but wants more. Hurry has paid £3118.0.6. Bags being made &c.

236

May 25,
Ligonier.

Return of pork saved from the enemy.

237

May 25,
Ligonier.

Lloyd to Stanwix. Details from the 20th instant of the proceedings of the hostile Indians; the attack on the convoy, the various attempts at pursuit, &c. Return of Captain Morgan from delivering provisions at Pittsburg; when the supply arrived, they had not an ounce of any kind in the store. At Turtle Creek, Captain Morgan on his march with the supplies, was attacked and repulsed the enemy; lost five men killed and one wounded, but entirely preserved the convoy and brought in the wounded. On the 3rd, Lieut. Hughes of the second Pennsylvanians with 15 men from Bedford, was attacked within hearing of the fort, his sergeant and three men were killed, the rest retired in good order and were relieved from the fort. Captain Mackenzie has insisted on marching on the arrival of Ballet. The want of his detachment before the arrival of all the Virginians will weaken the garrison and greatly increase the fatigue of escort duty. The distress of Pittsburg for want of provisions; for want of horses and more provisions it will be impossible to supply it. Will to-morrow send all he can.

239

May 26,
Ligonier.

Returns (2) of provisions at Ligonier.

244-245

May 25,
Bedford.

Stephen to Stanwix. Details of the attack on Ballet's party (p. 226). The enemy knows the state of the garrison and will no doubt exert their utmost endeavours to cut off the communication. No convoy with a

1759.

smaller escort than the French have at Venango can be safely depended on. On the arrival of Woodward he shall set out with a considerable supply to Ligonier. Ballet's party remains at Ligonier; McKenzie on his march here; this post and Juniata must be left in his care that he (Stephen) may be able to strengthen the escorts. The Indians have killed two Virginian soldiers at Pittsburg, and a Pennsylvanian, besides one very lately at Stony Creek. The impunity increases their insolence. To check this, secure the communication and prevent their insults, it is necessary to march a body of troops to this place. No convoys can be expected till that is done, and if he be drubbed, the advanced garrison will be in extremely bad circumstances. Page 246

May 25,
Bedford.

George Croghan to Capt. Horatio Gates. Has been here ten days waiting for an escort; cannot venture without a good one as almost every party lately has been attacked and beaten. The attack on Ballet's party. The garrisons of Ligonier and Pittsburg have not above a fortnight's provisions. If the next escort meets with a misfortune these two posts must be abandoned. A hundred French and Indians would make an easy conquest here. Has sent off Captain Montour with three Indians to Pittsburg to collect all the Indians he can to meet him (Croghan) and send messages to the Indian settlements to call them to a meeting at Pittsburg. 249

May 25,
Ligonier.

Daniel Clark (extract) to Stanwix. The attack on Ballet, but no additional details. Bedford improves, for every thing that comes stays here for want of escort. The cattle that left Carlisle on the 15th are here yet and likely to be for some time. Everything looks gloomy here; since the 25th of April the road has not been clear of them (the Indians). Enclosed by Adam Hoops, whose signature is placed at the foot of the extract. 251

May 26,
Easton.

Captain Callender to Bouquet. Expects to send off 400 horses on Thursday, Friday and Saturday. Leaves the question of his resignation in the hands of the General. 252

May 27,
Bedford.

Stephen to the same. Asks for men, the communication being lined with parties of the enemy, particularly Indians, from this to Pittsburg. Ballet's defeat leaves them necessitous; he (Stephen) has only 40 men with him. Lloyd was obliged to send Woodward with another convoy to Pittsburg. He (Stephen) can send nothing over the Laurel Hill till he is reinforced. The Highlanders are on their march down, which surprises him at this juncture. The loss of another convoy would ruin the advanced posts. Asks for some Virginians to be sent from Winchester to Fort Cumberland; a man was scalped and a boy taken there the night before last; 50 of the enemy could burn the place. 253

May 28,
Carlisle.

Adam Hoops to the same. He and Ourry arrived; constables sent out to gather in waggons. Forty horses are to set off to-morrow. What is to be done for escorts, as 80 beef cattle and a number of pack horses are at Bedford and cannot stir? The people are all asleep; some of the waggonmen, must be used roughly as a warning to the rest. Four of Scott's waggons passed; 10 more were ready to start; Shippen will report his success at Lancaster. He has 244 fine sheep in pasture and has sent to purchase more. The bad news from above will make waggons more difficult to be got, unless smartly handled. Sends extract (p. 251) of letter from Ligonier. 254

May 28,
Carlisle.

Armstrong to Stanwix. Has been urging the magistrates to have the meadows appraised; the accounts for last year are not paid nor settled, which makes the people uneasy. Has appointed a man to watch the meadows to prevent waste; superintend hay making, &c. The same is to be done at Shippensburgh and Leudoun. Mr. Lyon appointed to

1759.

receive and check here the accounts of the contractors' agents. If he can find 60 men who have shoes and blankets, he will send them to Stephen, and has written Burd to hasten up the new levies from Lancaster; smiths are at work getting arms ready for the newly raised troops. Has made a demand on the magistrates for waggons. Page 256

May 28,
Carlisle.

Armstrong to Bouquet. Arrangements for raising and paying for waggons; has given charge to Mr. Byards at two and a half per cent; he has also charge of one of the King's stores. Recommends that the money to pay the waggons should be deposited here. The superintendence of the meadows; Lyon's appointment, &c. Asks for warrants confirming the appointments. Crawford sent to collect horses. The men sent to Stephen are in a shocking state for such a duty. Summonses issued to bring in waggons; if that does not suit, force must be used. Ballet's affair is a very unfortunate and, he is afraid, a very scandalous one. Croghan is still at Bedford; "things have a disagreeable aspect, and neither our manner of making war nor politics seem to have with those savages the proper effects. Is it possible to avoid attacking the Indian towns or renewing the war with the Delawares?" The few Pennsylvanians with Morgan did well. 259

May 28,
Carlisle.

Urury to the same (in French). The hindrance to the transport of provisions by the bad news from Bedford. Has been trying to engage waggons to carry up working tools; is obliged to leave money to pay the men on their return. Will try to get stores for forage. Stevenson promises a brigade of waggons; the number uncertain. A saddler promised Mr. Byer (Byard and Dyer in other places) is the bearer of this; is afraid he will be detained the greater part of a week, from the difficulty of getting transport for the working tools. 263

May 28,
Lancaster.

Colonel James Burd to the same. Advertisements received and distributed; bags are being made; Boyd is sending tents to Carlisle. The difficulty of getting waggons, last year's services not being paid for. Note of the waggons sent or to be sent to the different places. If the people were paid waggons could be more easily got. Has heard of the defeat of Ballet and is trying to keep it quiet. 265

May 29,
Carlisle.

Urury to the same. Refers to Boyle for account of the attack on Morgan. The carrying off of Ballet's convoy is unlucky; had the enemy destroyed the provisions, it would not have been so bad, but to carry them off to Venango on the pack horses is provoking. Remains here for reasons given; has set sawyers and carpenters to work to repair old stores for forage. Has written Hughes to send the horses he has ready. Wyrn to supply oats and Colonel Weiser to raise waggons; supposes they should concert together. The saddler will not go to work till he be paid, so that he can settle his debts. Has found another express on pay; a list of those so engaged should be made to avoid confusion. Has engaged a forage master. 268

May 30,
Lancaster.

Edward Shippen to the same. A long letter altogether concerning the collection of forage, waggons &c., and sending them forward. 271

May 30,
Lancaster.

Burd to the same. Has sent 18 waggons to Fort Bedford and 4 to Carlisle; if the people were paid, all would go smoothly. Delay in shoeing horses; suggests sending up horse shoes and nails. 277

May 30,
Lancaster.

Same to the same. Recommends the bearer, Abraham Barr, who will start with 30 waggons in a week, to be waggon master. Urges that last year's accounts, which he takes with him to Philadelphia, be settled as soon as possible. 278

May 30,
Carlisle.

Hoops to the same. Is sorry Pittsburgh is in such extremity, which could have been avoided had the officers at the posts been more active. The supplies for Ligonier and Pittsburgh are still at Ray's Town. Hopes

1759. Stevenson has marched with all the cattle and pack horses. Concerning the collecting of waggons &c. Page 279
- May 30 Conrad Weiser to Bouquet. Received the £1,000 currency sent. 281
Reading. The progress of sending off waggons &c., &c. 281
- May — Same to the same. Reports the prospects of getting waggons, &c. 282
Reading. The constables ask for pay for posting advertisements, &c. 282
- June 2, Callender to the same. Is here with 400 horses, but cannot get drivers for them all; the old drivers, not being paid, are not willing to enter again. Asks for 40 men of the new levies as a temporary expedient. 285
Reading. Want of bags, &c. 285
- June 4. John Hughes to the same. Offers his assistance, but is doubtful if he can ride about the country as much as is absolutely necessary. 286
- June 11, Shippen to the same. Respecting waggon masters. Is afraid the Assembly will refuse the General's request for £100,000, which would have set all the wheels in motion. Hopes to raise a couple of hundred waggons. The efforts to raise waggons and the difficulty arising from non payment of last year's services. Scarcity of forage of all sorts; has been obliged to seize some oats from a merchant, &c. 287
Lancaster. Assembly will refuse the General's request for £100,000, which would have set all the wheels in motion. Hopes to raise a couple of hundred waggons. The efforts to raise waggons and the difficulty arising from non payment of last year's services. Scarcity of forage of all sorts; has been obliged to seize some oats from a merchant, &c. 287
- June 20, James Dow to the same. Sends 100 pairs shoes, 100 shirts and 100 pairs woollen stockings; not a thread stocking was to be got in this place. The articles are to be delivered at Carlisle. Sends Assembly Acts regarding carriages. The General hopes to set out this week. 290
Philadelphia. Report of Harry Gordon concerning the road from the Great Meadows to the Monongahela. 297
- July 5, Tulleken to Stanwix. Had sent express with an account by Captain Fort Bedford. Cochrane, at Stony Creek, of an attack on a small party of his and stating the measures he had taken to secure the communication. Has had no further account though he had sent three expresses to Cochrane, to order him to march into Ligonier with 50 horses loaded with flour and 50 oxen. He has 400 men, which should be more than a match for any thing he may meet. McKenzie has sent forward the orders to Burd to march on, leaving his baggage to follow. Major Livingston has arrived from Fort Cumberland. Morton, waggon master from Juniata, with a servant and commissary Armstrong, reports being fired on by Indians about four miles from here. Nine loaded waggons, with an escort of only five men, were only five miles back from the place he was fired at. Detachment sent off to try to save the waggons, which they met all safe, and they camped all night. In the morning a provincial about 30 yards off was killed and scalped in sight of them all, and the Indians though pursued got off safe. The number of his garrison and the duties, besides that the enemy are all round, make it necessary, he believes, to send up more troops. Captain Gordon cannot go without a strong escort, which cannot be given him, and as Mercer reports that no escort of less than 500 men is safe, does not suppose that Stephen will send Cochrane to Pittsburgh. He believes the enemy to be in parties divided all along the communication. If very strong they may still block up Ligonier and send a few here to keep up an alarm. Cannot make out why he does not hear from Stephen or Cochrane. P. S. Still no word from above; will send out a party to Stony Creek and if there is no word by five in the morning will send another. 299
- July 12, Cochrane to Tulleken. Reports his arrival safely without leaving a man on the road, and gives a detailed account of the proceedings on the march, over the "most terrible, rocky and steep roads, and where we were not troubled with stones the roads were most intolerably slippery." The cheerfulness and readiness of officers and men. Stony Creek is a dangerous place to encamp at; the precautions taken, inspite of which one
- Ligonier.

1759.

sentry was shot, chiefly from not obeying instructions. The morning leaving Stony Creek a gun went off by accident, and the men believing it to be Indians went forward with such eagerness to attack that they could scarcely be restrained. List of casualties at Stony Creek. July 13, ~~There is no immediate danger~~ of convoys going to Pittsburgh. Disputes about service; strange situation of public affairs, etc. Page 305

July 13,
Fort Bedford.

Tulleken to Bouquet. Message to Major Gates. Burd is pressing forward without baggage; expects 300 of his people by Wednesday. No account from above, but Cochrane is so strong that no doubt he is safe. He (Bouquet) will be greatly disappointed if he expects much hay here or to find grass. There are about fifty acres which may be cut near Fort Cumberland. Thinks that the greater part of the enemy who were before Ligonier had gone home, but that many are on the communication as far as Loudoun. Orders given not to send any smaller escorts than 30 men. 313

July 14,
Bedford.

Same to Stanwix. Sends intelligence received from Ligonier. Report received that the enemy has arrived at Presqu'Isle from Detroit about 700 French and Indians, with 10 cannon, intending to proceed immediately against Pittsburgh or Ligonier. The enemy has horses and every necessary to transport artillery, &c. from Presqu'Isle to LeFœnf. When the force is joined by that from Venango it will be 800 French and it is feared 1,000 Indians. Mercer reports that the treaty lately held with the Indians at Pittsburgh was satisfactory and some chiefs have gone to get the other Indians from the French interest. 316

July 14,
Bedford:

Same to Bouquet. Sends letters received from Pittsburg and Ligonier. Will send off Gordon with his 100 artificers, Captain Broadhead's company and one hundred more (Royal) Americans, leaving here only 100 (Royal) Americans. Would have gone himself, but Gordon thought he had better wait the arrival of the Virginians. Shall send all the oxen (100), and horses (about 300) with this detachment. No waggons can go as there is no stopping now. Shall go with the Virginians as soon as Burd arrives. 317

July 15,
Pittsburgh.

Croghan to Stanwix. Report by two spies of the preparations at Venango for an immediate attack on the forts; of the arrival of three parties of Indians; their Grand Council, at which the commandant received a letter ordering him to Niagara, which was to be attacked by Sir William Johnson. Details of the movements of the Indians in consequence. 318

July 18,
Bedford.

Tulleken to Bouquet. Arrival of Captain Grub of the Pennsylvanians with 36 waggons, reports that an express from Lancaster had passed him near Lyttleton, and that his horse was found killed on the road, the man being either killed or a prisoner. Has heard nothing from above since he last wrote. Expects Byrd (Bird, Burd elsewhere) to morrow, and shall advise him to march to Ligonier, unless he has heard otherwise. If the convoys have arrived safely, there is fully a month's provisions for all the troops above, besides Byrd's 500. If he (Bouquet) or the General is coming, a strong escort should be taken at least from Lyttleton. Is afraid for the garrison at Pittsburg; it may even now be too late to relieve them. Hopes Ligonier is safe. His fears regarding the battalion (of Royal Americans); urges expedition. Strength of the enemy sent by Bailly. When Byrd comes were he (Bouquet) or the General here they are strong enough to take the field. 323

July 18,
Ligonier.

Stephen to Stanwix. Is uneasy at receiving no answer to six expresses he has sent off; suspects they have fallen into the enemy's hands. The convoy for Pittsburg was too small for the trouble of escorting it. The place has been very weak; a few days will enable them to despise any number without artillery. The complete interruption to the service by

1759.

the conduct of Lieut. Biddle of the Pennsylvanians. The attempt to settle the matter. Page 326

July 18,
Lake George.

The last page, with the signature and address, is wanting. Nothing is known here of what is to happen next hour, everything being kept in the dark. The light infantry, although on constant look out, have never fallen in with the enemy, who have, however, continued to scalp within sight of the camp. A party of infantry surprised close to the woods, but the enemy escaped, as did a party of the enemy seen on an island. Lord Amherst has established three posts between Fort Edward and this, where another is placed, but not on the ground where Fort William Henry stood. Everything ready and must embark in a few days. The army healthy. Haldimand writes that Prideaux had left Oswego with 700 Indians and promises from others that they would join; the great hopes of his success. Attack on Oswego by LaCorne on the 5th of July, which lasted from morning till night when the enemy retired. Haldimand's tactics. The attack renewed on the 6th and repulsed. The Indians scalped their own dead to give no opportunity for them to be taken. Asks that Major Grant's baggage he sent down from Ligonier &c. 328

July 21,
Lancaster.

Abraham LeRoy to Bouquet (in French). Respecting the affairs of the late Mr. Hesse. 347

July 21,
Bedford.

Tulleken to the same. The enemy's intention to attack Pittsburgh abandoned, Prideaux's army having drawn them to Niagara. Arrival of Byrd with 500 men. They shall be kept and divided into two escorts. Indians still on the communication. It is not safe to come with fewer than 30 men. Ourry has sent a return of provisions sent to Pittsburgh and what are at Ligonier. Now is the time to push; if the enemy fail to save Niagara they will return this way. Mather and Gordon arrived at Ligonier after leaving the waggons in the woods; they have been sent for. 349

July 22,
Bedford.

Same to the same. Colonel Byrd has left for Ligonier with 350 of his regiment; 10 Pennsylvanians, between 30 and 40 artificers, and a convoy of waggons and horses. The additional waggons required to carry up tools, &c. Respecting bags, &c., for transport. The bad roads to Ligonier; does not believe Byrd will get there in less than eight days. Virginians and artificers left here. Necessity of sending an escort to Fort Cumberland for waggons and cattle. Arrival of waggons and horses at Fort Lyttleton, which cannot be forwarded for want of an escort. A communication between Cumberland and Pittsburg would be of infinite service. Byrd has done nothing about it, for reasons given. At a stand here for want of waggons, &c. 351

July 25,
Ligonier.

Stephen to the same. The agreeable appearance of things. A couple of twelve pounders sent to Pittsburg. Shall send pack horses and cattle to Pittsburg to-morrow. Shall keep ten day's provisions here and the stock at Pittsburg will make him easy. 333

July 25,
Ligonier.

Same to the same. Sends returns. Three hundred men, exclusive of Indians and artificers march for Pittsburg to-morrow. The number of horses he has; shall send down the weak. Provisions are exhausted for Captain Mather's convoy; shall send forward what he can spare. 356

July 26,
Fort Bedford.

Tulleken to Stanwix. Arrival of the chief of the Delawares, with two lads supposed to be his sons. He is anxious to see him (Stanwix) and will wait two days, but not longer; he must be at Venango as the Indians will shortly leave Pittsburgh, having nothing to eat. The roads not so bad between this and Ligonier, as imagined. Proposal by Finnie a Virginian, to make a road to Pittsburg from Cumberland. Urges him to be here in two days or to send Bouquet. 334

1759.
July 26,
Lancaster. Shippen to Bouquet. Sends articles (named) by Captain Hambright. Hopes to send him information next week about the waggons; the harvest will be finished in two or three days, except the oats; which will be finished in ten days. Cash transactions with Hambright. Death of the King of Spain at last. Page 336
- July 27,
Ticonderoga. John Durnett to the same. Reports the lines and forts of Ticonderoga taken possession of this morning. The enemy had set fire to the fort and retreated in bateaux during the night. 338
- July 28,
Bedford, Tulleken to same. Boyle sent express to Colonel Byrd, has returned from Stony Creek, and reports an attack on that post yesterday. The same party was within two miles of the fort this morning, when it was observed by Hubbard, who got under arms. Believes the enemy to be between him and Juniata. In case he (Bouquet) or any other be on the road with a small escort, sends this word. The Indian mentioned (p. 334) is not the head of the Delawares, although a man in whom Croghan has confidence. Is trying to get waggons to go to Ligonier; if not he shall be at a loss what to do, as he has no horses and few waggons. Is excessively uneasy about the small pox being at Stony Creek; if it is carried to Ligonier, it will be ruin. Lieut. Phillips sent off with 30 men for Ligonier; he is to wait for him (Bouquet) or the General. Ourry has succeeded in getting waggons. 339
- July 29. Gordon to Byrd. His admiration of the goodness of the roads and of the infinite backwardness to take advantage of it. The bad state of the waggons. Criticises the work ordered on the roads when other work is to be done. There are 10 French and as many Indians at Venango. Does not see how he could return with the artificers after coming so far. If Stephen would send 100 pack horses that would secure everything. How much depends on making good use of the time. 342
- July 29,
Ligonier. Lieut. Grant to Bouquet. Has sent to Pittsburg 70 bullocks and 19,000 pounds of flour, with Gordon and his artificers under care of Mather. A couple of 12 pounders with ammunition also sent. The post is in tolerable repair and may be defended by 200 men. Byrd sends a return of prisoners with the Indians. Two flags of truce sent in by the French, one notifying exchange of prisoners. The probable loss of the major of the battalion by his imprisonment. The object of the other not yet known. No word of Wolfe. Otter of the Royal Americans killed at Oswego, the engineer wounded and it was reported that LaCorne was shot in the thigh. 344

GENERAL CORRESPONDENCE—VOL. II, PART 2.

1759.

A. 14-2.

B.M. 21,644.

1759.
July 29,
Ligonier. Adam Stephen to Bouquet. The last convoy brought up little but forage. Mercer's convoy should last the garrison 25 days. Has asked 300 men to take charge of it half way. Tar and rosin sent up for the bateaux. Recommends 200 men for Fort Cumberland to be used for small escorts. Page 357
- July 31,
Winchester. Thomas Rutherford to the same. Cannot hire pack horses; any number under 500 can be bought in three weeks; balsters, &c., and ready money wanted, as there is at least 15 per cent between cash and credit. Flour, oats and Indian corn can be sent with the horses. How supplies can be got and at what prices; 250 beeves for Carlisle; can procure 100 more and perhaps 200 sheep for Pi 358

1759.
July 31,
Winchester. Captain James Gunn to Tulleken. Has resolved to wait for the arrival of the waggons promised to be here by the 3rd of August; shall see that no time is lost. Sends returns. Death of Capt. Gist from small pox. Page 359
- July 31,
Philadelphia. Henry Hughes to Bouquet. Has sent two waggons off yesterday with Indian goods. Has given directions about supplying provender, which the waggons had to leave. The difficulty of getting pack horses, &c. Has sent salt. 361
- No date. Stephen to Stanwix. The agreeable prospect; the troops in fine spirits. Has sent two 12 pounders to Pittsburg. Is ready to steal through the woods and join the artillery when ordered, and the Indians are anxious to seize the occasion. The post is in a respectable state. 362
- August 1,
Shawaneese
Cabins. Major Stewart to Bouquet. Marched yesterday for Ligonier to repair the roads with Hubbard's artificers. Will rest the men to-morrow, they having had no meat for two days; will then lose no time. A little way from the "Shades of Death" Indians fired on two batmen, wounding one, then ran off. Met a large convoy which he reinforced. 363
- August 1,
Pittsburgh. Captain Harry Gordon to the same. The delay in the delivery of his (Bouquet's) letter, the early arrival of which might have prevented his leaving Ligonier; the reasons given at length for marching to Pittsburg. Work done at Fort Bedford. The road to Ligonier was not bad; the only bad places being between Shawaneese cabins and the foot of the hill, and a few steps elsewhere; some bridges wanted. How the road should be completed. The bad condition of Fort Ligonier which wants a good deal of repair; details given. What must be done to the road between Ligonier and this post, and what troops should be employed for this purpose, on the Monongahela, Fort Cumberland &c. Should the result at Niagara be ever so favourable, there is still mischief to be expected from the Delawares at Venango and the Chippewas at LeBoeuf. 365
- August 2,
Fort Cumberland. Alexander Finnie to Tulleken. Sends returns; will begin to work on the road with a working party, so as to get one day's start of the waggons. There are here 64 waggons 500 sheep and some cattle; does not know to whom they all belong. 370
- August 2,
Bedford. Bouquet to Gordon. Instructions for building the fort near Pittsburg. 371
- August 2,
Cumberland. Deposition by John Sanderson that his waggon had been improperly impressed, to his detriment. 445
- August 5,
New York. James De Lancy to Governor Denny. Congratulations on the defeat of the French and the surrender of Niagara. The army (1,000 regulars and Canadians, and 500 Indians) being mostly drawn from Venango, Stanwix will not meet with much opposition: hopes he will not be delayed by want of provisions. The troops that defeated the French were only 500 and Indians. The French have abandoned and destroyed Crown Point and made off to St. John's. 372
- August 5,
Albany. Robert Leake to Charles Gist. Congratulations on success at Ticonderoga, Niagara and Crown Point. Venango, Presqu'Isle and LeBoeuf expected to fall. Asks him to incite the Indians to drive the enemy out of their lurking places; their cruelty to Captain Jacobs, an Indian, should be told. Landing of Wolfe under cover of the ship's guns. The brave and prudent Amherst will soon follow the enemy. 373
- August 5,
Lancaster. Shippen to Bouquet. Letters received, &c. Is sorry the townships are so deficient in supplying provisions in spite of the pains taken by the magistrates. The harvest being about over, hopes that they will send waggons; will use every means to get this done. Respecting the

1759. purchase of forage. Money received. Report of the taking of Ticonderoga confirmed. Page 375
- August 6, John Mason to Bouquet. Indians with the convoy have been drunk all the way and have threatened him. They have also killed his mare. Their suspicious conduct on the road, and at Laurel Hill. 377
- August 6, G. Price to the same. Is glad he has arrived at Bedford. Death of Captain Joscelyn in a skirmish at Laurel Hill; his bravery. Asks to be remembered for the vacant company. 379
- August — Captain James Robertson to Stanwix. Deplorable condition of the detachment of Highlanders for want of clothes and money. 380
- August 6, Gordon to Bouquet. Can see no place near better suited for a fort than the present. Description of the ground at Chartres, and its suitability for a fort, &c. The small garrison here is not sufficient for much; men wanted for preparing material, lime-burning &c. People uneasy about their paybills. The loss of the £200 is unfortunate. If the account from Niagara be true, it is very favourable. 381
- August 7, Conrad Weiser to the same. Brigade of waggons is setting out with Reading. pork and rye. The difficulty of getting waggons, and how fines for non-compliance with the orders of the magistrates can be evaded. 384
- August 8, Shippen to the same. Statement of money transactions respecting Lancaster. transport service. 385
- August 9, Major Stewart to the same. Will attend to instructions respecting the Alleghany Mountains. road, which Mr Mayer will carry out. The advantage of the light horse to be raised by the General's orders; does not know what became of the wornout horses sold after last campaign; Lieut. Crawford knows where the accoutrements are; but they were originally very bad. 386
- August 9, Report of a meeting of magistrates respecting transport waggons. 388
- August 10, George Mercer to Bouquet. Shall afford every assistance when ordered Winchester(?) to repair Braddock's road. Suggests opening the road from Gist's plantation to Red Stone Creek, whence stores &c. could be sent by water to Pittsburgh, saving at least 30 or 35 miles from Cumberland to the mouth of Red Stone. If this were ordered any quantity of provisions could be stored at Pittsburgh by the end of November. Prospects of obtaining waggons or pack horses, which latter might be purchased, as also a great number of hogs, bullocks and sheep &c., &c. 392
- August 10, John Hughes to the same. That the waggon drivers are not allowed Philadelphia. to draw provisions without paying for them. Calls his attention to this unjust conduct. If persevered in, he must withdraw from the service. 396
- August 11, George Croghan to Stanwix. Had reported from Niagara that the Pittsburgh. Western Indians had laid down the hatchet; there is no reason to suspect their sincerity. If the news from Niagara be correct, the French will retreat from Venango before they can be reached. Thinks 100 to 150 Indians will be enough for the purpose; and will join Mercer with as many as are necessary. Neither goods (except a few laced coats, &c.) nor traders here to barter with the Indians for furs, at which the Indians are surprised. The attempts of the provincial commissioners to monopolise the trade by underselling and the reason given, being the advantage of purchasing Government bills for goods supplied, violate the law by which these Indian commissioners were appointed. Asks that goods be sent up as quickly as possible, &c. 398
- August 11, Shippen to Bouquet. Sends report of the meeting of magistrates Lancaster. (p. 388). Cannot make a bargain with the farmers for their oats, but hopes to do so when they begin to thresh. Has informed the Governor of their attempt to extort exorbitant prices. Hamburg has brought 10 waggons and horses and is going for wood. Drive already engaged. Respecting the money arrangements. 401

1759.
August 12,
Winchester.
- Mercer to Stanwix. Would have marched with the Virginian troops but was detained for a meeting with the Catawbas. Their evasions, but agree to go to him (Stanwix) after being supplied with necessaries. Explains his unauthorised interference, which was for the good of the service. Shall see they lose no time, but asks that some one should meet them at Cumberland with directions. The Indians are naked except what they got here. Page 403
- August 12,
Pittsburg.
- Gordon to Bouquet. The situation of his force and the difficulties of work on the fort, saw mills, &c., given in detail. The men have not grumbled, although many fall down in fluxes every day. Affairs are very backward. Two large flat boats building. Brickmakers and carpenters kept at work. 406
- August 13,
Bedford.
- Bouquet to Lieut. Col. Wall. To set out to join on receipt, and to bring an exact return of the troops at each post, &c., including two companies to be left at Fort Loudoun; one of these is to be employed on the road from Loudoun to Lyttleton. Other arrangements about roads. The entire ruin of the French and their Indians will save the trouble of escorts except small ones for a few days. 408
- August 13,
Ligonier.
- Captain Schlosser to Bouquet (in French). Asks for his recommendation in favour of his son to the vacancy caused by the death of Captain Joselyn. 410
- August 13,
Pittsburg.
- Croghan to Stanwix. Sends report of the capture of Niagara, the burning by the French of their forts at Venango, Le Boeuf and Presqu'Isle. The Indians of all nations quiet, except the Delawares, who make a practice of stealing horses. There is little control of their young men, but they have promised to return the stolen horses. 411
- August 13,
Bedford.
- Circular from Stanwix to the managers of each county, urging them to furnish supplies, waggons, &c., for the service. 412
- August 15,
Carlisle.
- John Byers to Bouquet. Has received and paid out the money received for waggons, of which he gives a statement. The people in great spirits and raising more waggons every day, &c., &c. 415
- August 15,
Pittsburg.
- Gordon to the same. Urges the bad policy of paying for work in liquor. Progress in preparing material. Stores wanted and tents for the garrison. A flat wanted. Remarks on the campaign. Hopes young Schlosser will get the vacant ensigncy. 416
- August 16,
Philadelphia.
- John Hughes to the same. Will send tar, but he should look out some one who understands the making of it to save carriage. All the waggons he has sent are to be kept so long as they are able to work. The loss of the waggons coming home is due to the waggoners not to the owners. 419
- August 17,
Carlisle.
- John Byers to the same. Explains how the error had arisen about waggons not being received from the neighbourhood of Carlisle, and points out that he has sent out more than he promised. Will however at the request of General Stanwix have all the waggons in the county summoned for the campaign. 420
- August 17,
Lancaster.
- Shippen to the same. His exertions to get waggons and forage; respecting accounts, money matters, &c. 422
- August 18,
East Caln.
- Roger Hunt to the same. Gives details respecting the supply of waggons and pack horses and of disputes as to the carrying out of contracts. 424
- August 19,
East Caln.
- Same to the same. Further respecting the supply of waggons. Asks him to remedy certain complaints. 429
- August 20,
Pittsburg.
- Gordon to the same. Reports that work is proceeding on the roads. The post at Red Stone Creek will save immense land carriage. Hopes the stores will soon arrive as work cannot go on without them. The

1759.

artificers should be sent there directly. Remarks on Captain Clapham's work, most of which is thrown away. All the work is being pushed.

www.libtool.com.cn

Page 430

August 20,
Pittsburg.

Tulleken to Bouquet. Will go wherever his services are required. Has no acquaintance with the Indians to get the information wanted; flatters himself Mercer will do so. The two Mohawks sent with the letters can give information about the road between Presqu'Isle and Niagara. Reminds Stanwix of the promise that he was to go home after the campaign.

432

August 20,
Winchester.

Rutherford to Hoops. Note of cattle sent off. Will send off 200 pack horses by the end of the month, chiefly loaded with flour. Any quantity of good beeves may be got by giving notice.

433

August 22,
Fort Cumberland.

Mercer to Bouquet. Store houses in bad order; repairs ordered, but nothing can be done till assistance is sent. Pack horses from Winchester to be stopped for orders. Forage ordered for expresses and waggons. Waggon wanted to draw logs for planks and board &c.

434

August 22,
Juniata.

Thomas Hamilton to the same. Reports he had sent a false alarm, as it was Captain Johnson burning priming, whom he mistook for an enemy.

436

August 22,
Bedford.

Bouquet to Gordon. To pay the men nine pence a day instead of rum; his plan of working by task approved of. Stores forwarded to be examined on arrival, none to be kept at Ligonier. Tents also shall be sent. Burd, Shippen and Cresup are to open the road from the Great Meadows to the Monongahela and to build store houses there. Artificers to be sent to help, when wanted, with stores, but to be notified by Burd. The General leaving for Ligonier and Pittsburg. He (Bouquet) remains to forward everything. Young Scholeser (Schlosser) recommended for the ensigrey. Affairs begin to look better; hopes to find at Pittsburg 1500 R. T. (regular troops) besides Indians and artificers. 216 bullocks, and waggons with flour gone by Braddock's road to Pittsburg to be followed by 200 packhorses. Contract for flour from Virginia to be delivered on the Monongahela, and salt for winter store; the bateaux to be kept in readiness. A white man should be sent to report on Venango, LeBoeuf and Presqu'Isle.

437

August 23,
Lancaster.

Shippen to Bouquet. Is obliged for the news from Venango; hopes the French will do the same in Detroit. Hambright shall be sent off with waggons when ready. People threshing, but unwilling to take two shillings for their oats. Sales have been made elsewhere and he has been promised by Mr. Carpenter, the President of the Court, that he would use all his influence to get the farmers to thresh and bring their oats. Suggestions as to the best means of getting forage.

440

August 24,
Philadelphia.

Hughes to the same. The second brigade sets off under Selby, in a few days. Reynolds will go with another, so soon as he can be got ready. Has been unsuccessful in his attempt to raise a brigade of pack horses.

443

August 24,
Ligonier.

Thomas Barron to the same. Has drawn in favour of Mercer for £811.11.10; sends warrants as also the receipts to be endorsed. Has also drawn in Bouquet's favour for £1200, being the balance due him.

444

August 27,
Lancaster.

Shippen to the same. Has received the order to send up forage at any price. The price must be raised to induce the farmers to hire hands to thresh, they being themselves busy ploughing. Sinclair has bought a quantity at two shillings. Shall make every effort to send forage. The delays, &c.

445

August 28,
Winchester.

Mercer to the same. A long letter about the efforts made to obtain forage, the sending off of flour, the opening of the road to Cumberland, &c., &c.

449

1759.
August 28,
Carlisle.
August 30,
Winchester.
- John Byers to Bouquet. Sends deprecation of John Sanderson, who had his waggon taken from him illegally. Forage sent off. Page 457
- Mercer to the same. The progress made in getting forage, pack horses, &c. Arrival of 13 Catawbas and two Cherokees, to join the General; shall keep them here till further orders. How he has paid their interpreter. Progress making on the road to Cresup's. A ship carpenter wanted to caulk the scow on the Potomac. Arrival of 60 beeves. The Indians referred to above wish to go out to avenge the death of their friends; ammunition has been refused them. Chatterbox, one of the Indians, is very anxious to go to see the fort he helped the English to take. What is he to do if more Indians arrive? 458
- August 30,
Berks County
- Alexander Graydon to the same. Severe illness has prevented him from answering late letters. No waggons can be got under fifteen shillings a day and provisions. The horses, too, are all almost unfit for transport, having been immoderately worked by the owners. Asks that clear certificates be given to the waggons, so as to remove doubts at settlement. 465
- August 31,
Lancaster.
- Shippen to the same. Has sent to Philadelphia for the horse shoes wanted. Hopes to have oats to load Hambright's waggons, when they are ready. The waggons under Postlethwaite cannot leave till the latter end of next week. Will encourage the coming in of oats till he gets 12,000 bushels. 468
- September 1,
Fort Loudoun.
- Lieut. W. Blyth to the same. Has given Captain Sharp a return of stores, &c. About 100 bullocks will leave to-day for Fort Bedford; expects to send off another drove in two or three days. 470
- September 2,
Philadelphia.
- Hughes to the same. Defends himself at some length against implied charges in his (Bouquet's) letter of 22nd August. When the different brigades of waggons are to set out. It is indifferent to him whether he is employed or not, he will do his duty honestly, whether he pleases or displeases; the King and the army have not a more sincere friend than he is. 471
- September 3,
Pittsburg.
- Gordon to the same. Requires money for the people's pay. Will begin the fort to-day, which is to be built of earth and not of logs. 475
- September 3,
Lancaster.
- Shippen to the same. Capt. Hambright has not had time to settle, being busy with his waggons and horses, on which he has no doubt expended the £3,100 paid him. His and Postlethwaite's brigade with forage will be able to leave this week. The justices are to be in town to-morrow, and he will ask the reason of the promised brigade of waggons not being sent. Labourers scarce, so that few can be got as drivers. Money matters. Hopes soon to hear of Wolfe's success, &c. 476
- September 5,
Camp at Martin's.
- Colonel Burd to the same. Has only got this length (ten miles from Fort Cumberland) owing to the heavy rain. From Cumberland the road is hilly and stony, and in the short distance they have crossed 14 or 15 creeks, not a single bridge repaired and very little done on the road. Has lost seven men by desertion since leaving Cumberland. Vanbiber is on the march from Pittsburg to Cumberland; his reinforcement will make that garrison very strong. Paris is to send 20 or 25 men down the Potomac to look for the deserters, lurking about in these remote places. Will observe and report on the road; the trouble will be with the creeks. Plenty of food on the road for horses and cattle. Has had a violent fever, but hopes to get over it with Jesuits' bark. The Virginian horses are the best they have had but the saddles are bad. Paris, at Fort Cumberland, is in distress for meat; three bullocks sent him. 479
- September 6,
Winchester.
- Rutherford to the same. Has purchased 200 pack horses, contracted for 1,000 bushels of oats and Indian corn and bargained for about 600 sheep. 482

- 1759
 September 6, Cumberland. Major Livingston to Bouquet. How he is disposing of the forage, &c. Repairs to the fort have been pushed on as much as possible &c., &c. Page 483
- September 7, Pittsburg. James Dow to the same. Sends returns. Arrival of 47 waggons, some with flour, others with Indians, stores and tools. Has sent off 70 waggons and 70 pack horses to Ligonier to be loaded with flour. The Indians have drawn 500 rations daily for the last four days. The work going on well "Its a very sweet pleasant place and great plentie of fish both good and large." 485
- September 7, Camp at the Little Meadows. Colonel Burd to the same. Arrived here last night. It is lucky waggons were not sent to Fort Cumberland, as after the rains the roads must be a perfect swamp. From his last encampment to this the road is very bad; details of its state are given and recommendation for repairs; even light loads have had to be lessened. Hopes to make 12 miles on his march to-day. Suggestions as to repairs on the roads, bridges, &c. Is glad the General is sending a bateau to meet him at the Monongahela. The weather has been very severe on his people and himself. 486
- September 7, Fort Cumberland. Richard Pearis to the same. Asks instructions as to sending men in pursuit of deserters (p. 479). Mercer expected at Cresup's to night. Has sent to clear the roads. 489
- September 7, Lancaster. Shippen to the same. The difficulty of getting waggons and forage. How he has settled with the owners of waggons carrying loads only part of the way. The accounts with Hambright show his claim for waggons and horses to be £4,300, of which £1,200 are still due him. Want of iron traces has delayed the loading of waggons with forage. His anxiety to get the work done. General remarks on the prices, the opening of roads, &c. 490
- September 8, Winchester. Hambright's account follows. 495
- September 8, Winchester. Mercer to the same. Details as to the progress of collecting forage. Is afraid he will have to build a new scow. His trouble with the Indians and how he settled it. Rutherford's dilemma in consequence of want of positive orders to buy cattle. Pearis reports that there is no provision at Fort Cumberland. The difficulty of getting merchants to send up goods to trade with the Indians. Progress of work on the road to Cumberland. 497
- September 10, Fredericktown. John Cary to Mercer. Cannot get forage sent to him, as Colonel Pratter is giving ready money, &c., for all sorts of forage delivered in the town, and seventeen shillings and six pence a hundred weight for carriage to Bedford. 501
- September 10, Castle De-wart. Col. John Armstrong to Bouquet. Account of the difficulties of coming from the weakness of the horses and the bad state of the roads. Recommending that a young man (Ensign McDonall) be allowed to go down to vindicate his character against certain charges he (Armstrong) believes to be false. 505
- September 11, Williamsburgh. Governor Fauquier to the same. Acknowledges the benefits done to the Colony by General Stanwix in the opening of roads. Will recommend Mr. Finnie for his services. Trusts the merchants will enter on the Indian trade with energy. Although the trade is open to all, yet a committee has been appointed by the Assembly to trade with the Indians on the public stock for any sum not exceeding £5,000. He will recommend that a good part of this money shall be employed to trade with the Indians on the Ohio. His congratulations on the uninterrupted success of His Majesty's arms. 507
- September 11, Carlisle. Captain James Armstrong to the same. Has appointed two soldiers to go as expresses according to the orders he has received. 509

1759.
September 12, Gordon to Bouquet. Progress of the work on the roads; want of
Pittsburg. spades, shovels and wheelbarrows. Inquiry should be made what has
become of those remaining over last year. Page 510
- September 12, Thomas Barron to the same. Respecting money matters. 512
Pittsburg.
- September 13, Mercer to the same. The mistakes of Rutherford have arisen from
Fort Pleasant ignorance, not from a desire to put money in his own pocket; will try
to rectify them and to prevent future errors. His difficulties with the
people, who have at last consented to exert themselves, and will have
1,000 or 1,500 bushels of oats at Red Stone as soon as their horses return
from Pittsburgh. How he has arranged to have the oats carried to Fort
Cumberland. A scow is absolutely necessary on the Potomac. Live
stock sent to Fort Cumberland. Other arrangements for forwarding sup-
plies, etc. 513
- September 13, Colonel John Armstrong to the same. Arrival this forenoon without
Fort Ligonier the loss of a bullock or anything. Is satisfied that he (Bouquet) and
Curry had done everything possible to carry on work. Had taken pains
to find some of the King's horses, but could not get one that could move
from the spot. Respecting provisions and forage. The number of
women shall be reduced as speedily as possible. Suggestions as to road
making. The duty at the posts and escorts; the reduction in the artil-
lery especially make him more uneasy than he is as to the draughts on
him for others. Shall examine the road for eight or ten miles west of
the post and send out to repair it, if necessary. The letter from Mr.
Peters gives unfavourable accounts from Quebec. Asks that orders be
sent to his brother to take command at Carlisle. 15th. Orders received
by Stevens to send off Virginians to repair the road. 517
- September 15, Lieut. James Grant to the same. Rumours that Wolfe had raised the
Oronw Point. siege of Quebec contradicted, Wolfe, being obstinately determined to
make a conquest. Gives incidents of the siege, the rash attack of the
grenadiers [that at Montmorency when so many were killed]; the suc-
cessful carrying off of 300 head of cattle by Fraser from the French, on
which he remarks "you would say it was not the first time a High-
lander had been overtaken driving his neighbour's cattle." Colonel
Walsh had a few days before driven off about 300 sheep and it was
reported that Wolfe had laid the country waste 40 miles round. The
Indians have been drubbed every time they have been met with. The
Caughnawagas have lost a number of men. The interest taken in the
expedition in London; Forbes was to have been honoured and Halket
was received most graciously by the King, who did not say a word to
Abercromby. Last list of killed and wounded at Quebec as received
in a letter from Wolfe. (The names and ranks are given). 522
- September 15, Tulleken to the same. Commissions sent by Amherst received. The
Pittsburg. letter respecting the march of troops to Niagara sent by Stanwix had
not been received by Amherst when he wrote. Believes the difficulties
will prevent the march from taking place, as the campaign will be ended
before the troops could reach Niagara. Accounts of the battalion
received from New York. 523
- September 16, Stephen to the same. Arrangements for clearing the road to the
Ligonier. three redoubts. Invalids sent to the General Hospital; asks that they
be sent to Fort Cumberland when refreshed a little. The reprehensible
conduct of Armstrong with respect to the women allowed with the troops;
all ordered off claim his patronage. 530
- September 19, Colonel Armstrong to the same. Thanks for news from Quebec. As
Ligonier. he would not want flour, had therefore sent off two convoys with flour
and other stores. Has sent a party to meet the brigade of waggons

1759.

- expected, so that the escort may return. Movements of waggons with flour, &c., of cattle and where sent. Tools wanted. Page 532
- September 22, Captain Woodward to Bouquet. Has received horses, waggons, and
Fort Cumberland. saddles, the latter in bad order. Complaints by the waggons of the time they are kept and the bad state of their horses in consequence. Has turned the horses out to pasture. Sheep (113) and horses loaded with flour are at Colonel Cressop's, where they are to wait till orders are received; 200 horses expected from Winchester. 535
- September 23, Ensign John Mullen to the same. Apologises for taking a horse contrary to orders; he only did so to go hunting, intending to return it to its owner. 534
- September 23, Colonel Armstrong to the same. Shall take every precaution against
Pittsburg. any attempt the enemy may make, to prevent a surprise or the loss of a convoy. Report concerning live cattle arriving &c. Complains of the conduct of the teamsters, who are the bane of any army. Asks for a supply of wine, a keg of his having been stolen. Respecting the trial of deserters. Hears that he is not likely to be moved forward for some weeks. Guard houses and hospitals being repaired. 536
- September 24, Major Horatio Gates to the same. Sends return of troops at the post.
Pittsburg. Can only send returns of rations issued from day to day to the Indians, they are so fluctuating. Stevens, with 150 Virginians, has arrived after the return was signed. No answer yet from Amherst to Mercer's letter addressed to Crown Point. Wishes reports from Wolfe were more promising. The French are numerous and strongly posted. 539
- September 25, Colonel Burd to the same. Had arrived after cutting a good road all
Red Stone the way. Could not carry it to the Red Stone, the country being too
Creek. mountainous and no place there for a post. Believes the people in Virginia intend to starve him and all his people, as he has been three days here on an allowance of half a pound of flour per man, officers included, and there is only two days' more supply at this rate. The last flour was scandalously spoiled; it takes two bullocks to make one of those he brought from Bedford; he has only eight bullocks left. The river in good order for bateaux, but there are none; materials will be prepared for building, but he has heard nothing yet of nails. The bad state of the horses brought by Lieut. Jones; will nurse them and six men in the same condition, but he has no oats for the horses, nor anything to put them in condition. The waggons and horse drivers ruin the service, and it is a great misfortune to be dependent on such worthless scoundrels. Thinks this will be a fine post; describes its situation. [The name of the camp in full is "Camp at the mouth of Nemocallung's Creek on the Monongahela above the mouth of Red Stone Creek."] 543
- September 25, Thomas Barron to the same. On money matters. 541
- September 25, Woodward to the same. Thanks for his approbation. The 200 pack
Fort Cumberland. horses not yet arrived; they shall be sent off as ordered. The Doctor, who carries this, will inform him of the state of the sick, &c. 543
- September 26, Alexander Lunan to the same. Has sent shirts, shoes, &c., as ordered.
Philadelphia. Has not yet been paid for the men's hose, which he was to have been paid for in June. 546
- September 26, Shippen to the same. Money matters. Has sent to Philadelphia for
Lancaster. carpenters, but they are not to be had even at seven shillings and six pence a day, unless they get rations and rum. A brigade of waggons sent off with forage; plenty coming in. How much is wanted? Respecting horses, horse shoes, traces, &c.; arrival of additional waggons. 547
- September 27, William Ramsay to the same. That he is using his best endeavours
Winchester. to get flour forwarded, but the dry weather delays the grinding. Hopes

1759.

- in four or five days to send off 60,000 or 70,000 weight. Is told that the road from Cumberland to Red Stone Creek is in bad order, &c. Page 551
- September 28, George Stevenson to Bouquet. Bill for £1,000 received. He hears
York. that a brigade of 30 waggons is loaded at Capt. McPherson's, but has no letters. Has loaded 19 waggons; expects to load as many next week. Shall send accounts when he settles with those to whom money is payable. 553
- September 28, Mercer to the same. Has had a new pattern of saddles made for the
Winchester. pack horses, as with the old they could not have made another journey. The miscarriage is owing to Rutherford's ignorance and his trusting to others knowing as little as himself: there is no reason to suspect fraud. His own earnest desire for the service. Shall take care to supply Burd's garrison at Fort Cumberland, but William floops changes his orders so often that it is impossible to guess what is to be done, and details are given to show his variable orders. The dry weather, as stated by Ramsay, prevents the grinding of flour. The quantity and quality of the flour Ramsay will send. Waggoners discouraged by the bad state of the roads; the necessity for repair. Money wanted to pay for forage sent off; unless people are paid ready cash as promised before being sent off, no credit would be given hereafter for the least trifle. Proposed charge for transport to the Red Stone. Bills received; note of the exchange charged, a change being made owing to a large importation of slaves. Cash can now be easily got. Asks for leave to go to Williamsburg. Respecting forage; the difficulty of getting paid for transport, has had to advance money, &c. (The letter, which is full of details covers 16 pages). 554
- September 28, Colonel Armstrong to Stanwix. Is doubtful if the quantity of flour
Ligonier. at the post will keep from spoiling; the precautions he has taken. How he proposes to assist in sending flour to Pittsburgh. About 20 men of the Virginians were left here, a few sick; where shall he send them? 570
- September 28, Same to Bouquet. Sends returns. Substantially the same as the letter
Ligonier. to Stanwix immediately preceding. 572
- September 29, Lieut. Samuel West to the same. Has caught three deserters; his
Newtown, unsuccessful search for the others. He is now ill and under medical
Chester care. 574
County.
- September 30, Colonel Burd to Stanwix. In similar terms to the letter to Bouquet
Camp above of the 26th September (p. 543) so far as regards the situation of the post
Red Stone and the scarcity of flour. Computes the length of the road from Guest's
Creek. to this camp to be 17 miles. 575
- September 30, Same to Bouquet. The troops have been for eight days on an allowance
Camp at the of a pound of beef and half a pound of flour, and he has to-day begun
Monongahela. the allowance of a pound of beef without flour. Has been keeping the men at work since his arrival, but has been obliged to give over. Hopes to have supplies soon; there is a supply for only five days at the present allowance of a pound of beef a day. 577
- September 30, Thomas Rutherford to the same. Has sent 46 pack horses with flour
Winchester. to the mouth of Red Stone Creek and 88 loaded with forage to Pittsburg. Shall send on the 6th of next month 100 beeves to Fort Cumberland and the mouth of Red Stone Creek. Has no money to pay for transport to Pittsburg, nor for the beeves, sheep and flour sent off during the last six weeks. 578
- October 1, John Wilson to the same. Has had his six months' leave extended.
London. If his affairs are settled he will 'come out to join his regiment in spring. 580
- September 19 Captain Lee's Journal from Niagara to Pittsburgh:
to October 4. Wednesday, the 19th September.—Left Niagara and lay at Jonquier's house, 21 miles.

1759.

Thursday, the 20th.—At one o'clock launched our boats into the river and proceeded up the river about 12 miles; lay at an island which we called Thursday Island.

Friday, the 21st.—Proceeded up the river, entered the lake at 2 o'clock, crossed a bay which we imagined to be 30 miles, in all this day we proceeded about 54 miles, this night we lay in a creek, which we called Friday Creek, a very good harbour for boats, the only safe one which we could discover betwixt Niagara and Presqu'Isle.

Saturday, the 22nd.—Proceeded about 35 miles to a large creek, which we called from the roughness and danger of the entrance, the Devil's Mouth.

Sunday, the 23rd.—Rowed about 4 miles and were obliged to put to shore, the sea running too high for our boats to live; about 2 o'clock the weather became more moderate. Rowed to a point, which we called Bear Point, in all 24 miles this day.

Monday, the 24th.—Proceeded to a small run which we called Lilly Creek, about 60 miles.

Tuesday, the 25th.—Rowed to Presqu'Isle about 24 miles. Presqu'Isle is a fine harbour, fine soil and very strong situation, this day were employed baking our flour for conveniency of carriage, hid our boat amongst some willows.

Wednesday, the 26th.—Marched to the Fort LeBœuf through a very bad road, being almost a continued swamp, bridged on by logs, 21 miles.

Thursday, the 27th.—Employed the men in making rafts to transport us from Fort LeBœuf. At one o'clock launched our rafts and went about 25 miles down the River LeBœuf that evening, when our raft over set, by which accident we lost the greatest part of our ammunition, all our provisions and necessaries, went ashore and encamped there.

Friday, the 28th.—Proceeded down the river about 50 miles and encamped at an Indian hunting place.

Saturday, the 29th.—Set off and about 30 miles rowing we met with some hunting Indians, who gave us some bear's flesh, halted there all day.

Sunday, the 30th.—Arrived about 12 o'clock at a Delaware Indian Town about 17 miles that day, supplied us with provisions, and procured us a Mingo Indian with a Battoe to carry us down the River. Kept us all night.

Monday, the 1st October.—Proceeded to Venango about 50 miles down the River.

Fort LeBœuf is situated upon a very narrow creek, which runs into a small creek which we imagine the River takes its source from, the situation is not at all commanded and the soil is very good, the River for about 100 miles from its source very winding and inconceivably Rapid, the country on each side swampy; the Lower parts of the Stream is more moderate, the country on each side very fine a great deal clear and thickly inhabited by Indians, who have among them a surprising number of English children.

Tuesday, the 2nd.—Left Venango and proceeded 50 miles down the Ohio.

Wednesday, the 3rd.—Proceeded 50 miles.

Thursday, 4th.—Proceeded down about 40 miles, arrived at Pittsburg.

The River Ohio from Venango to Pittsburg is winding and shallow and full of rifts, the country on each side high, the soil good, the woods open and pleasant.

1750.

	Miles computed.
From Niagara to Presqu'Isle.....	230
From Presqu'Isle to LeBoeuf.....	21
From LeBoeuf to Venango.....	172
From Venango to Pittsburg.....	140

In all 563

[The abstract of distances at the end is in Bouquet's writing. The Journal begins at page 581 and ends at 583]

October 5,
Pittsburg. Thomas Barron to Bouquet. Asks him to inform Colonel Hunter what money shall be wanted for this campaign; the Quarterly Court meets this month, and it is the best opportunity for raising the money. Further respecting money. Page 584

October 6,
Fort Cumberland. Thomas Woodward to Ourry. Arrival of flour and forage and how they are to be disposed of. 585

October 9,
Winchester. Mercer to Bouquet. Respecting cattle and the dealings of Hoops; pack horses will be driven to Cumberland by the owners for sale. Hunters propose to carry to Pittsburg the meat they kill; what price would be allowed them? The rest of the letter relates to transport, except his renewed request for leave of absence. 586

October 10,
Philadelphia. Alexander Lunan to the same. Asks that payment be ordered for his bill. 591

October 10,
Philadelphia. Same to the same. Sends price of different qualities of blankets. 592

October 11,
York. George Stevenson to Ourry. A letter of 13 pages, giving an account of the dispute between the sergeant and officers in command at Fort Lyttleton on the one side and the waggon master (King) and waggoners on the other. 593

October 12,
Winchester. Thomas Walker to Bouquet. Is concerned at the want of provisions at Red Stone Creek, but had received no orders to provide for the troops there before the 26th of September; provisions had at once been sent. The cattle are not so heavy as expected nor the flour so good, as the staple crop is tobacco, and the flour being used by the farmers, who, for economy, have it mixed with middlings and sometimes with shorts, the millers did not care to go to the expense of bolting cloths. If such flour would be accepted plenty can be sent. The wheat crop has been large, so that he could purchase 200,000 (pounds) before Spring; if sent up the Potomac, the water carriage would save expense. Has sent to Hoops for orders about the quantity of provisions to lay in at Fort Cumberland. A quantity of good pork may be purchased in December. Respecting the rate of exchange allowed him for sterling bills. 606

October 12,
Winchester. Same to Stanwix. Suggests the appointment of two others, with himself, to settle disputed claims with waggoners for losses they have sustained, and mentions the names of some persons who would be suitable. The last money sent will be all paid out in four or five days; he requires about £3,000 more. The remarks about the want of provisions at Red Stone Creek are similar to those in the letter to Bouquet. 610

October 13,
Philadelphia. Henry Hughes to Bouquet. Is still getting waggons, but latterly there is difficulty. Capture of Quebec and death of Wolfe; about 500 killed and wounded. On the French side Montcalm killed and about 1,600 killed and wounded. The terms of capitulation not known. 613

October 14,
Winchester. Mercer to the same. The miscarriage of his (Bouquet's) letter has caused him much uncertainty how to deal with people whose business depended on the orders to be received. The scarcity of provisions at Red Stone, he attributes to the indolence of the drivers. Has arranged to send large droves of cattle instead of small droves at frequent inter-

1759.

- vals. Remarks on the system of business followed by Hoops and the trouble thence arising. Suggests the appointment of persons to examine and settle the claims of waggoners, &c. Calls attention to the claim of a man engaged as express by Sir John St. Clair's orders. Cattle sent by Rutherford refused by the commissary at Cumberland. The advantage of dealing for cash, &c. 15th. Rutherford's cattle refused on account of their size. As the country furnishes few large cattle if those sent do not answer, none can be furnished. Remarks on cattle that will bear the expense of driving, &c. Page 615
- October 19,** Colonel Armstrong to Bouquet. Had sent off a line on a pitiful piece of paper with the most interesting contents, the capture of Quebec and the death of Wolfe. Shall send the men asked for, but it will reduce those available for garrison duty. 631
Ligonier.
- October 5 to 21.** Journal of Captain Patterson and Lieut. Hutchins from Pittsburg to Presqu'Isle. The journal gives an account of each day's march, the character of the soil, with other notes and remarks. Distance from Pittsburg to Presqu'Isle 121 miles. 632
- October 20,** Burd to Stanwix. Shall send the party to the great crossing of Yoaghyogane to build the flat, &c., there. Suggests building two small houses, one for a small party, the other for stores; shall send Shippen to the crossing to give directions. Proposes the building of a bridge at the little crossing by a strong party from Fort Cumberland; shall send a ship carpenter and two sawyers to the great crossing to make preparations. The rum received shall be given out only to the people at the works. Shall send word on the arrival of salt, &c., which he hears are on the road. Is glad to hear that Bouquet is expected. 633
Camp at Monongahela.
- October 22,** Mercer to Joseph Galbraith, commissary at Fort Cumberland. That the complaint of Ramsay of delay of his waggons at Cumberland to have the flour inspected is just; the inspection is to be made at Red Stone Creek, the place of delivery, unless there are positive orders to the contrary, with other remarks. 634
Winchester.
- October 22,** Courad Weiser to Bouquet. His difficulties in settling with the waggoners for transport, which are given in detail. 634
Reading.
- October 24,** Memorandum by Alexander Blair respecting cattle refused by the assistant commissary at Fort Cumberland. 637
Fort Cumberland.
- October 26,** John Byers to Bouquet. Sends receipt for the last money sent and asks for further order for money. Congratulations on the surrender of Quebec, and at the success of Prussia over Russia. 638
Carlisle.
- October 27,** Mercer to the same. A long letter respecting his own circumstances and the inadequacy of his pay, &c. 639
Winchester.
- October 27,** Same to Stanwix. Is sorry for the disappointment respecting provisions from this Colony; Ramsay doing his best to fulfill his contract, but it is only within the last fortnight there has been rain to enable the mills to work. The letter relates entirely to supplies. 640
Winchester.
- October 28,** Galbraith to Mercer. There has never been a delay of more than two or three hours in the inspection of Ramsay's flour. The inspection at Red Stone Creek would entail additional expense, besides being ineffectual, as the troops at Red Stone would take anything rather than starve. Shall pay no attention to Ramsay's complaints so long as he is doing his duty. 641
Fort Cumberland.
- October 29,** Colonel Armstrong to Bouquet. Irregularity on the part of McPherson in relation to flour sent to Stevets, whose own conduct has been very extraordinary. Further respecting provisions &c. Has sent down a number of women and other unnecessary people; they should not be allowed to return, as the smaller the garrison and its attendants the

1759.

- better. Sends a forged pass taken from a deserter. Heavy rains, which will no doubt make the roads knee deep. Page 656
- October 29, Burd to Bouquet. Is glad the General approves of building the two
Camp at Monongahela. houses at the crossing, where affairs go on well; and of the building of the bridge; Pearis has been sent to fix the proper place. Forage sent by bateaux. Deserters sent down. The works forwarded, and he hopes to have them finished by Saturday, and to march for Pittsburg on Sunday. Shippen shall go off to make an inspection of the river. Ammunition wanted, as he has been obliged to hunt for victuals. Does not think it possible to get a road to avoid the two crossings of the Monongahela. No salt arrived; for the last two days he is well off for provisions, but there was not an ounce of flour when the waggons arrived. 659
- October 29, Same to the same. Since writing he had detained the bateaux on
Camp at Monongahela. account of the heavy rains. Survey of the two rivers shall be made. Instructions given respecting provisions for the garrison and the men at the two crossings. 663
- October 31, Alexander Lunan to the same. Asks for timely notice when the
Philadelphia blankets are wanted. 665
- November 1. Roll of the Rangers commanded by Captain Ewan Shelby from 10th
July, 1759 to date. 666
- November 2, John Read to Bouquet. Details respecting the commissariat service
Bedford. returns, &c. 669
- November 3, Burd to the same. Is disappointed at the orders received, as he had
Camp at Monongahela. hoped the battalion would be sent together to get their accounts settled. Shippens has been sent up the Monongahela. Men sent to finish the houses, flat and bridge. A good place here for a saw mill. 672
- November 5, Thomas Walker to Stanwix. Offers to contract to victual 1000 men
Winchester. at Pittsburg, Red Stone Creek and Cumberland, beginning on the 1st of May. When is the pork to be sent to Pittsburg? 673
- November 5, Same to Bouquet. Respecting the supply of provisions, the settlement
Winchester. with waggoners, &c. 674
- November 12, Alexander Lunan to the same. Reminds him of his letter offering
Philadelphia goods and asking for an answer. 677
- November 15, F. Pemberton to the same. Respecting the care of skins to be sent
Philadelphia. on his account. Is concerned to hear of the treaty with the Indians being prevented, and that measures for public tranquillity meet with such difficulty, &c, &c. 681
- November 15, John Read to the same. Galbraith reports that provisions are coming
Bedford. in slowly from Virginia. Calls attention to ill-natured stories about Galbraith, who is really doing his duty. 679
- November 15, W. Dunlop to the same. Has sent off letters entrusted to him to be
Philadelphia. forwarded to Europe. Explains the cause of delay in receiving newspapers from Philadelphia. 681
- November 18, Major Ward to the same. Sends a complaint of the conduct of the
Bedford. contractor towards a poor man, the owner of a mare, and asks that the wrong be redressed. Has found a good road (place for a road?) at Laurel Hill, and has ordered it to be cut so that it can be used by pack horses. The advantages of the road. 682
- November 18, Instructions by Stanwix to Lieut. Stoddard, left at Fort Burd to be in
Fort Burd. charge of the stores. 684
- November 19, William Byth to Bouquet. Has been forwarding salt with all expedi-
Fort Cumberland. tion. 686
- November 21, Same to the same. The loss by fire of Captain Callender's house and
Fort Cumberland. contents, including, he is afraid, Bouquet's and Ourry's papers, 687

- 1759.
- November 25, Shippen to Bouquet. He is doing his best to send off the flour; delays
Lancaster. from the waggoners not being yet returned, &c. Page 688
- November 28, Mercer to the same. The complaints against the contractors; the false-
Winchester. hood of Galbraith's charges. Will have his accounts ready. Transport of
salt has stopped all other transport. Bridge needed at Wills Creek.
Respecting material and carpenters for building and repairing boats. 689
- November 29, Henry Grigor to the same. Sends good wishes. 692
Pittsburg.
- November 30, Burd to the same. Respecting transport of salt, and other stores,
Bedford. &c. 693
- December 1, George Stevenson to the same. Money received; waggons sent off to
York. Bedford; will send more flour next week. 694
- December 4, William Blyth to the same. Respecting the transport of forage, the
Fort Cumber- state of the waggon horses, &c. 695
land.
- December 5, Same to the same. Byrd has ordered off ten of the best horses. Is
Fort Cumber- doing all he can to get up the salt, &c. 698
land.
- December 9, Lieut. D. Brehm to the same. Has been left to repair Ticonderoga
Ticonderoga. since it has been taken. The damage done by the enemy in blowing it
up and setting it on fire. Description of the fort and its situation.
Amherst passed with the regular army on the 25th of November, and
ordered him (Brehm) to stay here for the winter. 699
- December 10, Richard Graham to the same. Disappointed by the people at the
Fort Cumber- Branch, who had promised forage and waggons. Gives details of the
land. efforts he is making to procure waggons, &c., and offers the use of his
waggon to draw stockades for the new fort. 701
- December 11, William Blyth to the same. Ensign Vass has been appointed to take
Fort Cumber- charge of the King's stores here; where is he himself to be sent? What
land. is he to do with the money in his hands? The last of Graham's salt will
be delivered to-night. The King's horses are not able to carry the salt
further, and it will be difficult to get others, as they keep off in case of
being pressed. The ship carpenters have gone off; the sawyers are
getting plank. Ourry has sent no material but oakum; unless car-
penters are sent, nothing more can be done about the flat. 703
- December 11, Samuel Carne to the same. Respecting a bill left unpaid. 706
Charlestown.
- December 12, William Blyth to——. Has received his letter; had sent Bouquet
Fort Cumber- an account of the state of the roads and of the horses, which he does not
land. think can carry a load up; has sent forage to Cunningham at the little
crossing. Will send all the horses to Cressop's, where they can have
forage; if the salt is to go to Red Stone, he will take the best of them.
Respecting stores, accounts, horses, &c. 707
- December 12, Richard Pearis to Bouquet. Has finished the bridge, cleared and cut
Fort Cumber- the road on both sides 30 feet wide; has renewed every bridge between
land. little crossing and here; gives other details of the work done. 710
- December 14, Mercer to Richard Graham, contractor for salt. Orders as to the steps
Winchester. to be taken to forward the salt by means of impressed horses. 712
- December 17, Blyth to Bouquet. All the King's horses that could be collected are
Cressop's. now here in charge of Lewis Moor and Charles Swearing; he shall dispose
of them before he leaves. Can not settle in full with Cressop, having had
to pay other bills. Defends Major Livingstone from charges brought
against him. Graham cannot get forage to enable him to carry out the
salt; blaming Graham for the delay. 714
- December 22, Certificate respecting the carriage of salt follows. 717
Pittsburg. G. Price to the same. Asks his influence to be continued in service. 718

1799.		
December 23.	Byers to the same. Money wanted.	Page 719
December 27, Fort Louisa.	John Blair to the same. His transactions respecting forage.	720
December 30, Carlisle.	Hamback to the same (in French). Applies for a situation in view of the reduction of the forces, and suggests some offices in which he might be useful.	721
December 31, Bedford.	John Read to the same. Boyd, a deputy commissary, has refused to obey the order for his discharge. Asks for his (Bouquet's) interposition.	724
No date.	Various memoranda as to obtaining troops from Maryland, Virginia &c., and other subjects relating to the campaign.	725.

GENERAL CORRESPONDENCE,

1760.—Vol. III.

A. 15.

B. M., 21,645.

1760		
January 2, Reading.	Conrad Weiser to Bouquet. Congratulates him on his safe return from Pittsburgh; will try to call on him at Lancaster. Wishes him to settle with Keeher, about his waggon mastership, and states his services in that capacity. Respecting accounts.	Page 2
January 7.	Return of Captain Cochrane's recruits.	4
January 8. Bedford.	Pignolo Bellestre to Bouquet (in French). Thanks for kindness; prays for his recommendation to the General.	1
January 9. Pittsburg.	Lieut. James Dow to the same. Forage wanted. How the 20 bushels a day are expended.	5
January 9, Fort Cumberland	J. Livingston to the same. Report given in detail of the movements of brigades loaded with salt, &c. Has sent this to check Graham's accounts.	6
January 11. Ligonier.	George Morton to the same. How he has prepared for salting meat. Flour might be brought from Stony Creek to supply the stores here. Flour sent off to Pittsburgh, the roads being good. Other information about cattle, &c.	8
January 12. Bedford.	Jethro Sumner to the same. Has been ordered to his room by one of the gentlemen just arrived.	11
January 13. Pittsburgh.	Major Tulleken to the same. Had sent order to Schlosser for the march of the detachment. His (Bouquet's) praise of the men has given them pleasure. His presence at Lancaster will, no doubt, help to complete the battalion, towards which every effort has been made. Amherst's instructions sent for recruiting, &c., and the camp equipage to be ready by the 1st of March, asks him to have that and clothing made ready; gives lists of tents, &c., that are required. Asks him to vary such orders as he may think necessary. Had applied for leave to sell his commission, his private affairs absolutely requiring leave of absence. Asks for some indulgence in respect to allowances of wine, &c., to the officers of the battalion. Respecting accounts. Return by the Indians of Lieut. McDonald, taken a prisoner. The winter has been very severe.	12
January 17. Carlisle.	Garvin Cochrane to Stanwix. Is glad to hear of his recovery. The recruiting officers will do all they can but is afraid they will not be so successful as expected. Remonstrates against being recalled in favour of Etherington when success is expected, which is after the discharged men have spent all their pay and do not feel inclined to work. Objects strongly to be sent to Lancaster for reasons given, and states the care and attention he has given to the battalion and has had to undergo much trouble in his command.	17, 23

1760.
January 17, Carlisle. Cochrane to Schlosser (?) His success in recruiting not great. His surprise that he is reported to be ordered to Lancaster, which is using him ill. Page 21
- January 17, Carlisle. Same to Tulleken. Remonstrating against being ordered to Lancaster. 27
- January 24, Carlisle. Etherington to Bouquet. The failure in recruiting; officers sent to the country to try to secure the discharged men. 30
- January 24, Carlisle. Cochrane to the same (?). The progress in recruiting; will do all he can. 31
- January 25, Winchester. Mercer to the same. Expects to be able to bring a complete settlement of all the accounts, except for the salt. How transport proceeds. His illness from a fractured jaw. 32
- January 25, Pittsburgh. Tulleken to the same. Amherst has given him leave to sell out, if he still wishes it, but urges him to remain in the service. Has agreed with Stanwix to remain till he (Bouquet) can come up. Stanwix has written in the most friendly terms to Amherst of his (Bouquet's) services. Money matters. Orders respecting recruiting had been stopped when he (Bouquet) came to Lancaster; Cochrane's extraordinary letters. 34
- January 27, Ligonier. George Morton to the same. Reports the progress made in forwarding flour, forage &c, and asks that he may have copies of the returns for his guidance. 38
- January 29, Philadelphia. Alexander Simon to the same. Friendly messages. 40
- February 2, Carlisle. James Sinclair to the same. Sends receipts for money. Has himself undertaken to settle the accounts for pasturage, finding those living here unwilling to do so for fear of the displeasure of people interested, if any deductions were made. Is surprised at the General's urgency about provisions as in three months hence they may be sent up at one third of the expense. Suggests a plan for getting horses. Hambright's arrangements for horses at Loudoun and Shippensburg. Money wanted. 44
- February 2, Bedford. John Read to the same. Sends returns of provisions. Has discharged what people could be spared to lessen expense. Only 37 bullocks sent from Carlisle. 47
- February 4, Philadelphia. Certificates (two) that Andrew Figuer and George Grotz enlisted in the first battalion of the Royal Americans on the 6th November, 1756, for three years. 49, 50
- February 4, Bucks County. Alexander Graydon to Bouquet. Would have seen him but was prevented; asks instructions for the payment of the last waggons. Remarks on the nature of the accounts for the settlement of which he cannot take the responsibility without orders. 51
- February 9, London. James Meyrick to officer commanding the 1st Battalion of Royal Americans at Pittsburg, enclosing letters from Lord Barrington for a list of the officers, who have purchased and who may wish to sell their commissions. 43, 54
- February 13, Carlisle. List prefixed. 43
- February 13, Carlisle. James Sinclair to Bouquet. Sends receipt for the £2,000 sterling. Shall observe directions with regard to the King's horses. Hoops disappointed about hogs from Maryland; will try to get them in his own part of the country, &c. 55
- February 19, Lancaster. Peter Smith (private) to Tulleken. Respecting a certificate given him by Sergeant Passage. 56
- February 19, Carlisle. Gavin Cochrane to Bouquet. Sends 17 recruits; remarks on some of them. Shall send a deserter (Stidwell) by the next opportunity; was afraid to send him with the recruits, in case he should incite some young ones to desert. Farther about recruits, &c. 57

1760.
February 19, Philadelphia. Alexander Lunan to Bouquet. Reminds him of the Indian blankets, of which he has plenty, as well as shirts, &c. Congratulates him on the defeat of the French fleet by Hawke and the taking of Pondicherry. Boone made Governor of the Jerseys; Barnard of Massachusetts; Pownall, South Carolina; Littleton, Jamaica, and Ball, of South Carolina, lieutenant governor of that province. Is sorry there is no government for Morris. Page 60
- February 20, Norfolk. Donald Campbell to the same. His difficulties and want of success in recruiting. 62
- February 21, Philadelphia. George Etherington to the same. Has sent off express with letters found here on his arrival from New York. The stores shall be sent to Lancaster on Monday. Prescott who came by the last packet doubts if there will be another campaign, though nine regiments are under orders for Holland. All the vacant regiments reported to be given away and no mention of Stanwix. 63
- February 21, Pittsburg. Stanwix to the same. Approves of the time fixed for settling the warrants. Hopes that recruiting will be successful, but begins to doubt it. Etherington gone to York for clothing. Has told Amherst that 20,000 men will be needed for the communication next campaign—peace or war. Respecting transport. Will leave when the weather settles. Guns and ammunition sent forward. 64
- February 22, Philadelphia. Richard Peters to the same. Has detained the post to send a proclamation offering a reward of £100 for the discovery of the murderers of an Indian family near Carlisle. Mr. Penn is pleased at his (Bouquet's) desire to settle, but the proprietors of the Blue Rock property refuse, from family reasons, to sell at any price. Remarks on the new list of Governors. 66
- February 26, Carlisle. Cochrane to the same. Has released the deserter Stidwell on his promise to return to the regiment. One recruit brought in and a deserter, who has deserted several times. 69
- March 1, Fort Augusta. Burd to the same. The express in swimming a creek had lost one of the letters. Murder of an Indian and his family in Cumberland County; the Indians assured that the murderers if found shall be brought to justice. Has written Joshua Howell about further supplies for the garrison. Will set out for Lancaster on the 6th. 72
- March 1, Winchester. Mercer to the same. Is anxious for order to go to Philadelphia. The country people daily applying to know what commodities are wanted at Pittsburg. Contracts and offers of contracts for corn, flour, &c. Orders sent to supply Red Stone with flour. Other remarks about stores. The town and country round infected with small pox, which has become fatal. Gist's Indian accounts all in. Lord Fairfax has ordered his rangers to give up all strays (horses) for the King's service. Byrd's regiment might now be employed repairing the roads. 74
- March 1, Pittsburg. Tulleken to the same. His difficulty in writing owing to a boil having weakened his wounded arm. Slow progress in recruiting. His opinion of the most suitable cloth for the men's leggings, that may be of use after the campaign. Thanks of the officers for the promise to send what they want. Expressions of esteem. The General still here; will probably leave about the middle of the month. Is sorry that his services have been overlooked. Three men of Campbell's company drowned on the flats at Juniata. The works here begin to look formidable. 78
- March 2, Pittsburg. Lient. James Dow to the same. Sends returns. Plenty of every thing but forage, and it is a pity the works should stop from the want of it to feed the horses. 81
- March 3, Carlisle. Cochrane to the same. The bad conduct of Sergeant McIntosh, for which he shall be reprimanded. Reports on the prospects of recruiting.

1760.

- and where his parties are stationed, &c. Has just reprimanded McIntosh who seems very penitent. Page 82
- March 4, Tulleken to Bouquet. Stanwix has been informed that his leave of absence may be expected shortly. All the regiments in this country filled up but the 40th and Amherst hopes that Stanwix will get it, but Stanwix does not expect it; he has resolved to leave this place about the 10th, to settle accounts and to be ready to go when leave arrives. His (Tulleken's) desire to go home next summer. Hopes that he (Bouquet) Haldimand and the other gentlemen may get justice done them. In spite of Lyttleton's puff about making peace with the savages, he had no sooner got back to Charles Town than they broke out and scalped nearly 40 of the inhabitants of the back settlements. Troops must be sent. Lyttleton goes to Jamaica and is succeeded by Pownall. Respecting arrangements for the pay of the battalion during the campaign. Gordon goes to Philadelphia; arrangements must be made for money as the works would have been stopped had not Barnsley let Gordon have £600. 85
- March 6, Stanwix to the same. Proposes leaving this place soon. Sends corrected warrants for £5,000, and £2,000, which he is to sign and return cancelling the others. 89
- March 8, B. Hughes to the same. Respecting a sale of land by Delancey to Bouquet. 90
- March 9, Richard Peters to the same. A bill has been presented to the Governor for a grant of £100,000 to raise 2,700 men, but the wise heads have determined to raise only half the companies, each to be of 100 men, with one captain, one lieutenant, one ensign, two sergeants, two corporals and a drummer boy. No man of spirit will accept a company on the terms. It is doubtful if the Governor will pass the bill. Gossip. 91
- March 11, Cochrane to the same. Respecting recruiting. 93
- March 11, Conrad Weiser to the same. Has expended £3,356. 1s. 8d. of which he would bring an account after his son's return from Fort Augusta. His own commission is not included in the above sum. 95
- March 11, James Sinclair to the same. Has sent letters to the General and asked the people with accounts to come for settlement to Carlisle. The division of live cattle to the different posts. Various unimportant details. 97
- March 14, E. Shelby to the same. Has been at Nichol's Gap; a good road may be made over the mountain there. Will ascertain the price Delancy wants for his land. Several bateaux and canoes have been built on the Potomac; more would be built if wanted. 99
- March 14, Adam Hoops to the same. Respecting cattle and other provisions. The bad state of the roads for the General's journey. 101
- March 16, Tulleken to the same. Respecting the settlement of recruiting accounts. Snow and bad weather have prevented the General from setting out. 102
- March 20, Richard Mather to the same. Will come to Fort Pitt as soon as the weather permits, having no chance of recovery here. Flour sent to LaBouf. Mingoes compelled a party to give them flour and rum. Indians to bring no more wild meat, there being enough of provisions in store for a month at least. 105
- March 27, James Sinclair to the same. Expects the General on Sunday or Monday. Respecting the settlement of accounts for flour, &c. 107
- March 28, B. Hughes to the same. The purchase of land from Delancy and the difficulties about the deed. 109
- April 1, Lieut. Arch. Blane to the same. Sends a man along with shoes, which the soldiers need, but the price is more than can be given without orders. The man is an imposing scoundrel and it would be a good thing to escort

1760.

- him from post to post, with orders that no one should purchase from him. Page 111
- April 2,**
Fort Pitt. Tulleken to Bouquet. Sends John McCollough, from South Branch, Virginia, with rum and whiskey, which he (Tulleken) has no power to purchase. Hopes Stanwix has now got over the fatigue of his journey. Sends report of survey on stores. There are 700 persons drawing provisions, exclusive of Indians, of whom there are about 300. Has sent for Croghan, as the Shawanese will not leave till he comes; about 400 more are expected to a Council; is he to feed them? 112
- April 6,**
Lancaster. J. Schlosser to the same (in French) Is pleased at his (Bouquet's) return to Philadelphia; the battalion will no doubt, be continued in the west, but no matter where, so long as it is together and under his command. Respecting clothing for the recruits. The General has ordered the discharge of two men; asks for blank discharges. Arrangements for transport of forage; movements of officers. 115
- April 7,**
Lancaster. Schlosser to the same (in French). Respecting recruits, clothing, &c. 118
- April 17,**
Lancaster. Same to the same (in French). Had sent off clothing to Bedford and Pittsburgh, and flour for Carlisle; further arrangements about transport. Cattle sent; clothing for recruits. Has a good blacksmith that would be useful if wanted. 120
- April 19,**
Lancaster. John N. Wetterholt to the same. Report of the recruits he has brought in who are accepted, &c. Loss by desertions. 123
- April 20,**
Lancaster. Shippen to the same. Waggoners sent off with clothing and flour for Bedford and Pittsburgh. Details respecting other arrangements for transport. Shall make all dispatch in collecting the accounts. 125
- April 21,**
New York. Hugh Wallace to the same. Has sent two boxes. Note of some accounts. Sends envelope to show that on one letter the postage was ten shillings. 127
- April 23,**
Lancaster. Schlosser to the same (in French) Acknowledges receipt of camp equipage, articles of clothing, &c. The men have been exercised in firing. Thinks power should be obtained to hold general courts martial to punish deserters. Has sent money returns. 128
- April 25,**
Carlisle. Cochrane to the same. A soldier tried for stealing, found guilty and sentenced to twenty lashes. As he never heard of the civil power having the right to flog soldiers, has applied for the remission of the sentence. Has had pretty good success in recruiting. 131
- April 29,**
Lancaster. Schlosser to the same (in French). Deserter brought in. Certain small articles wanted, according to a specification sent. Transport not going on so actively as he had hoped for. 132
- May 5,**
Lancaster. The same to the same (in French). Since the provincials began their levies, desertion has so increased that men are going off every day, the clothes of several of them being found in the woods. Suggestions as to the best way to stop desertion. The non arrival of waggoners promised by Campbell, the waggoners being detained by the magistrates of different places, as is alleged. Has begun to camp out, so as to exercise the men. 134
- May 10,**
Winchester. H. Byrd to the same. Has stopped Major Stewart from joining as ordered, owing to the inconvenience that would arise to the settlement of accounts by his absence. Is anxious for orders to move upwards. If the men are not to be employed on the works at Pittsburgh and on the roads, he would send as many as could be spared to the South West frontier where the Cherokees are committing wholesale devastation, and where whole counties will soon be abandoned. It is reported that Stanwix is again to command in this quarter. 137

1760.
 May 13, New York. Major A. Prevost to Bouquet (in French). The unexpected arrival of his (Prevost's) brother; sends papers left to be forwarded. News from Oswego that the battalion has been reestablished. Page 139
- May 10, Walnut Hill. A. Dellent to the same (in French). Gives minute details of his work of planting &c. 140
- May 13, Fort Bedford. A. Baillie to the same. The improper conduct of Ensign Hay; has sent him to Fort Pitt to be looked after. 147
- May 14, Fort Pitt. Richard Mather to the same. Report that the fort is to be attacked by a large body of French and Indians. The report has been traced to Indians, who did not believe it; points out several suspicious circumstances. Measures taken for defence. 149
- May 20, Fort Pitt. Same to the same. The reports of an attack on the fort are unfounded. Spies can discover no sign of an enemy; the report has helped on the work. Complaints of the subalterns of Leslie remaining after purchasing into the 4th battalion. Arrival of Ensign Hay; he has been warned to behave. Waggon with clothing arrived. The garrison healthy and tolerably sober. 150
- May 26, Philadelphia. Dow to Ourry. Order for wheels to be transferred to Bouquet. 153
- June 2, Virginia. Thomas Walker to Bouquet. Vouchers have been sent, except three enclosed. The expedition against the Cherokees compels him to be in the Southern part of the Colony, but shall return to Winchester when that is over. How is he to apply to Monckton for money, when the balance in hand is expended? 153
- June 3, Carlisle. Hoops to the same. Respecting the signing of vouchers; is busy forwarding supplies. 155
- June 7, Lancaster. Shippen to Stanwix. Concerning the settlement of transport accounts. 156
- June 9, Carlisle. Hoops to Bouquet. Bills received; will see about the saw mills and forwarding cattle, &c. 159
- June 9, Bedford. List of officers of the first battalion of the Royal American Regiment as they were appointed to companies. 159
- June 11, Ontario. Williamoz to Bouquet (in French). The want of money has prevented him from settling for his passage to New York. Hopes he will approve of his arrangement with Haldimand. Apparently the greater part of the army is to go South. Amherst was at Albany a few days ago. The raising of the siege of Québec and defeat of the French; Indians arrived from Montreal at Lake Oneida report the French to be in great affliction. These events may change the plan of the campaign. 160
- June 13, Miamia. Jadot to (in French) Has received his letter. Rocheblave on his arrival asked to see it, which could not be refused. He was troubled at the prohibition about showing the goods which might arrive, but said he was not inclined to ask about it. Seeing the want of the nations for goods, he has left the Miamis and gone to the portage where he offered a gratuity if they would wait for payment which was accepted. Rocheblave has left brandy for the Indians. Hopes of part of the Indians that the English would soon come to trade with them. Those of the River Blanche reproach the Indians of the River à la Robe for their want of firmness, as they themselves intend to continue as they had begun. This has caused the others to confess they were wrong for listening to the English and would in future only listen to their father Onontio. Rocheblave's orders about provisions; has let 20 mits go to the fort knowing the miserable state it was in, leaving only twelve bags of Indian corn for the subsistence of the garrison and three bags of oats. Prays earnestly for relief. The Indians are asking for seed to sow and he cannot refuse them. 163

1760.
June 18,
Philadelphia. Alexander Lunan to Bouquet. Axes, &c., forwarded. Account of the festivities on Fishing Day at Mount Regale. Great distress in South Carolina. There is no doubt that the siege of Quebec is raised. Page 165
- June 24,
Eydelberg. Henrig Geiger to the same. Invoking every blessing on him. 167
- June 26,
Lancaster. Shippen to the same. The cidor has turned sour; Bishop's wife having run away with a neighboring miller put every thing out of her husband's head. Offers to get the best sort of apple trees for his (Bouquet's) plantation. Minute advice about planting. Has written for and received money to pay the waggoners. Congratulates him on the raising of the siege of Quebec, the taking by Lord Colville of six French store ships, &c 169
- June 26,
New York. Intelligence from Quebec received at Presqu'Isle on the 18th of July. Details of the retreat into Quebec and loss of the British troops, and subsequent defence of the town. Destruction of French ships and bateaux by Swanton; capture of six store ships and retreat of the enemy on the appearance of Lord Colville and his fleet, leaving all their cannon and heavy baggage, with their tents standing, after sustaining an admitted loss of 1,500 which is stated at 3,000 by the country people. The French in great confusion in Montreal. Bread plenty, meat scarce, no salt provisions in the country. Salt sells for £25 sterling a bushel and a quart of brandy for 22 livres. Rogers has destroyed St. Therese, a village between St. John's and Chambly; he killed none, saved and set at liberty the women and children and took the men (34 or 35) prisoners. 173
- July 1,
Fort Pitt. Return of the course of You-Yougany (Yohogany) River to the Laurel Hill; notes of its currents, islands, &c. 176
- July 10,
Centrel. Hoops to Bouquet. Will do as ordered about the saw mill; sends up a tanner. 180
- July 12,
War Office. Lord Barrington to General Amherst. That the charge of signing false returns by officers having been reported by the Board to have arisen from inadvertence, all further prosecutions have been stopped, but the officers are to be severely reprimanded, inadvertence being culpable in matters of duty. 182
- July 16,
Philadelphia. Alexander Lunan to Bouquet. No details from Quebec more than the papers contain. How he heard of the battalion being ordered to the northward and of the orders being countermanded. Barasley has sent a large part of the remittance and promises the rest soon. Friendly news. 184
- July 18,
Le Boeuf. Mercer to the same. Will try to get to Presqu'Isle to day. Has only six bullocks and the same number of sheep, &c., &c. 181
- July 23,
Fort Pitt. Richard Mather to the same. Sends the six men belonging to the Niagara detachment, whom he has punished. Has been allowed to try deserters. The General is keeping the Royal Americans beside himself. The Virginians don't seem to relish the Royal American not doing sub duty. 186
- July 24,
Old Town. Thomas Cresop to the same. That the Ohio company are willing to let him have a share of the grant of 500,000 acres lying on and adjacent to the south side of the Ohio, each member receiving 25,000 acres. The company propose, when the war is over, to settle the land with Germans and Swiss. 188
- July 28,
Fort Pitt. William Potts to the same. Sends returns, showing 11 recruits who had deserted, been tried and punished, of which he enters into details. 189
- July 28,
Niagara. Schlosser to the same (in French). Has sent returns, &c. Asks him to order back the tents lost on the way, now in possession of the Virginians. Has at last arrived in exile here; the difficulty of crossing the Lake, where the troops suffered a sort of ship-wreck. Thinks the 4th must have suffered more. Description of the fort at Niagara. His men

- 1760.
- July 28,
Fort Pitt. still encamped in the ravelin and covered way, the 41th having left the barracks so dirty and foul, but his men are well. Would have sent a plan, but has not had time. Page 192
- July 29,
Niagara. Thomas Barnsley to Bouquet. Arrangements for payments to men gone to Niagara. Returns of men sent to this place. Money matters. Arrival of Sir John St. Clair in tolerable health, but complaining of weakness in his knees and hands. 196
- August 1,
Fort Pitt. William Walters to the same. Has ordered the articles wanted for the works at Presqu'Isle, sends also 20 barrels of pork; flour cannot be spared from here. He cannot depend on a supply of ammunition from this garrison, as the navigation is precarious and the garrison small. Has sent Monckton a return of the fortifications, artillery &c. Indians report that the boat on the Lake with French and Indians had returned to Detroit; they only wanted to see what the garrison was about. 196
- August 4,
London. Hoops to the same. Has made a survey of all the posts; there is no danger of any want of provisions. 204
- August 6,
Niagara. James Mann to Stalwix. The clothing for the first battalion is shipped and invoice sent. 201
- August 8,
Venango. Williams Walters to Bouquet. Dispatches have arrived from Amherst to Monckton which are forwarded. His (Bouquet's) post to be furnished with pork and flour from here. Sends returns, &c. 202
- August 10,
Venango. Robert McKenzie to the same. Account of his march with a detachment to Venango, Major Stewart with the main body has not yet reached and has had no word from him. Sends this by an Indian who is trustworthy, as it is reported that an attack is intended against his (Bouquet's) post. 203
- August 15,
Niagara. Major Stewart to the same. His arrival after a tedious and difficult passage, McKenzie having arrived some days previous with a convoy of cattle, &c. Sends part of these, with flour, tools, &c, besides stores and baggage for the officers at Presqu'Isle. Virginians to be returned for the Pennsylvanians sent with the convoy. About 68 of the men he brought up are lame or sick, &c., &c. 205
- August 16,
Sophy Hall. Walters to the same. Has received word from him (Bouquet) that the sloop was ready to sail with provisions for this port. Has sent men to assist Clapham with the bateaux, taking 30 barrels pork and ten of flour, being all that can be sent. Has informed Amherst of the want of sawyers &c. Sends various tools. Sends men who had been prisoners with the Indians. 207
- August 16,
Charlestown. Sophia Fesch to the same (in French). A letter on domestic and personal affairs. 209
- August 23,
Virginia. Andrew Fesch to the same. Three of his trunks sent off; two negro boys shall be sent him by the same schooner, will insure the boys here. Respecting his private accounts, fire arms, state of the crops, &c. 213
- August 23,
Fort Pitt. Thomas Walker to the same. Shall send accounts. Mount's retreat from the Cherokee country renders it impracticable for the Virginians to do more than clear a road part of the way and establish some posts. Hopes that no failure of contracts on the part of those who have moved into Virginia, will lessen his good opinion of real Virginians. 216
- August 24,
Fort Pitt. Mather to the same. Monckton does not wish returns sent in case of accidents. Deserters picked up nearly every week. Is exercising the guard every morning and wiping off the rust by degrees. The loss he will sustain of men if short period certificates are allowed. 218
- August 24,
Fort Pitt. William Potts to the same. Sends a list of officers who purchased in the battalion (For list see p. 191) Would have sent the returns but for the General's orders; adds certain [redacted] last sent. 220
- Respecting movements in the regime [redacted] 220

1760.
August 28,
Venango. Major Stewart to Bouquet. Return of pack horses, which the bad roads have made till now unfit for service, so that he could not sooner send another convoy. Stores sent off, &c. Is afraid from the small force and few artificers, that the works cannot be finished before the rigorous season. Asks that the Virginian artificers be sent to relieve the Pennsylvanians. Page 224
- August 29,
War Office. Lord Barrington to John Calcraft. No chaplains of regiments serving abroad shall be paid until the commanding officer certifies that they have supplied suitable deputies. 226
- August 30,
London. Enclosed in a letter from Calcraft of 8th September. 231
- September 4,
Venango. Daniel Mildred to Adam Hoops. Report of the decision of the Lords [of Trade] on the money bills passed by the Assembly of Pennsylvania. 228
- September 4,
Venango. Major Stewart to Bouquet. Sends by Montour and the Indians a convoy of flour and ammunition; will send more on their return, &c. Sends deserter, &c. 229
- September 6,
Niagara. Lieut George McDougall to the same. Cannot get coffee or blankets here; Gamelin, the French officer, has written to his friends at Detroit to send them down. His (McDougall's) desire to be of service. 230
- September 8,
Niagara. Major Walters to the same. Has received list of materials wanted to build a sloop, &c. The delay in getting supplies of provisions; sends part of the flour received from Oswego. All the bateaux that could be got belonging to the traders were pressed to carry the 44th; few traders now here. Report on the conduct of Ensign William Hay and the court of inquiry held on him. 232
- September 8,
Niagara. Schlosser to the same (in French). Sends a plan of Niagara. 235
- September 15,
Niagara. Major Walters to the same. Shall forward the dispatches to Amherst. Has sent all the flour he can spare. Hopes for the arrival soon of the sloop with news from the army. Want of lodging at the post; the present shelter must be pulled down and a new one built, with a blockhouse, if the party is to remain for the winter. Can give little assistance to his ship carpenters, as Amherst had ordered all the sailors to Oswego. Has written Amherst for material to build the vessel for transporting provisions to Presqu'Isle. There are but few artificers in the garrison and the fort is greatly out of repair. Is afraid a sloop would not answer on Lake Erie from want of harbours, nor get near the post owing to shoal water; large shallops or bateaux would be best. 236
- September 15,
Niagara. Schlosser to the same (in French). Respecting his accounts. Expects the return of a sergeant from Fort Ontario, where he was sent by the major for news. 239
- September 17,
Venango. Major Stewart to the same. Arrival of McNeill; 10 horses of the convoy gave out on the road and the rest in such wretched order that he does not know when they can return loaded; will send the best of them when the bateaux arrive with flour. Is concerned for the safety of Duplessis, who left for French Creek and has not been heard of since he left a small town 28 miles off twelve days ago; inquiry to be made among the Indians. The great loss to the service should he not be found. Leave given to Captain Miles of the Pennsylvanians to join him (Bouquet). 241
- September 17,
Niagara. Ensign William Hay to the same. Stating the cause of the quarrel with the major, confesses he was in liquor and begs for Bouquet's intercession to save him from a court martial. 243
- September 24,
Venango. Major Stewart to the same. Arrival and dispatch of the express for the General. Bateaux arrived, sends off flour, guns and ammunition. Could have sent more powder but was afraid of the rain. Returns of stores sent. The searching party can hear nothing of Duplessis, dreads

- 1760.
- he has fallen a sacrifice to his obstinacy. The party sent off with sick has so reduced the force as to obstruct the progress of essential work. Page 246
- September 29, **Major Smallman to Bouquet.** Has kept a month's supply of flour, 248
 Le Boeuf. damaged by rain. Has only one day's supply of pork and no cattle have been brought. Indian Johny reports a large pile of timber sawed by the French for bateaux is in the woods; is going to look for it and will use it for building a place for flour. Will go round the Lake in a canoe as the Indians report things of consequence hid there. He has collected all the iron about and shall haul in the logs for the house.
- September 29, **The same to the same.** Has discovered 27 new bateaux in the woods 249
 Le Boeuf. which the French had partly burned. There are several thousand feet of sawed plank not damaged and a quantity of nails. The tools are probably buried near them.
- September — **Certificate that Israel Christian of the county of Augusta who offers to supply the troops with flour, is able to pay the penalty of £2,000 in case of failure.** 250
- October 1, **Major Walters to Bouquet.** Arrival of the "Williamson" brig with 251
 Niagara. flour, pork and rice. Is preparing to send him (Bouquet) all the provisions he can want, sending the brig back for more and for the materials for the new vessel. The captain of the brig thinks there are no stores of that kind at Oswego, but he shall ask for two whale boats and six bateaux, which are much wanted. Dispatches for the General. 251
- October 5, **Lieut. George McDougall to the same.** Had handed the letter to 253
 Niagara. William Hay. If any blankets come they shall be forwarded. Smaller items.
- October 8, **Major Walters to the same.** Had sent off dispatches before receiving 254
 Niagara. his letter of the 30th. Congratulates him on the reduction of all Canada. Has kept the sergeant and party who brought the letter to assist him in getting the provisions to the landing; the difficulty of the work. Has pressed the traders' bateaux in which he has forwarded flour, pork, powder, &c. Sends returns; has given the captains Amherst's orders on recruiting. Is sorry for the disappearance of Duplessis; if taken to Detroit there is no doubt he would be well treated. Further about Ensign William Hay's conduct. Damage to flour. Representations sent by the Captains. 254
- October 10, **Ensign William Hay to the same.** Thanks for his letter and offer of 258
 Niagara. service. Sorrow for his conduct.
- October 11, **J. Calcraft to the same.** Captain Barnsley has been punctual with his 259
 London. accounts; the irregularities were before his time, when there was only one paymaster for four battalions. Will do his utmost to get the accounts settled.
- October 12, **Walters to the same.** Sends by Captain Olapham 120 barrels of flour, 259
 Niagara. 77 barrels of pork and three of butter. Had sent a previous supply by Roger's Rangers, with powder and ball, &c., &c.
- October 14, **Hoops to the same.** Hopes he will soon be down to settle disputes 261
 Fort Pitt. apprehends between himself and contractors. Remarks on their course of procedure.
- October 17, **Lieutenant W. Potts to the same.** A company of the Royal American 262
 Fort Pitt. soldiers, augmented to 100 men has been ordered by General Amherst to march, but destination not stated. The arrangement of the officers; and attention to mistakes in the returns from Niagara; the steps he is taking to rectify them. Hopes to see him (Bouquet) at Fort Pitt shortly. A surgeon or mate should be at the post, the daily report of the sick in winter being 26, 28 or 30.

1760.
October 17,
Venango. Major Stewart to Bouquet. Has sent off a convoy of 19 horses with an escort of one subaltern, one sergeant and 24 rank and file; this has (with sick) left the garrison very weak. Suggests that Major Smallman let ten of the escort return from Le Bœuf with boards. The wretched state of the pack horses. The disappointment about the saw mill; the consequent vast deficiency in boards and planks; asks that all the planks be sent that can be spared. Delay from illness of carpenters. There have been no sheep for upwards of a month and no meat except seven bullocks. Page 264
- October 19,
Near Fish
Creek. Captain Brewer. Left the landing at Little Niagara on the 10th. The bad weather has delayed them, having had boats damaged, and barely got ashore. Wants additional boats, pitch and tar. 266
- October 19,
Fort Pitt. Hoops to Bouquet. Recommends John Ormsby, who proposes to trade to Detroit. 267
- October 21,
London. Lieutenant Wilson to the commanding officer of the 1st battalion Royal Americans. The reason for his continued absence; shall certainly join the regiment in the Spring. 268
- October 23,
Venango. Major Stewart to Bouquet. Sending 32 bullocks to the upper posts, and a convoy of 19 horses, with all the stores left but the bar iron, which shall be sent by water; he has been ordered to send an escort with carpenters on their way to Presqu'Isle. The delay to the works by so many parties being sent off. Sawyers much wanted. 269
- October 31,
Venango. Same to the same. Note of convoy sent with flour and stores, the escort, &c. Bateaux arrived but without nails, hinges or any thing for the blockhouse, though the shingles are ready nothing can go on; has sent an express for them. The party that floated down the boards met with great difficulties; 3 Pennsylvanians were drowned; 10 lost their arms and blankets and the whole lost their tents and ammunition. His (Bouquet's) boat returned with 18 bars of iron, axes and an anvil for Presqu'Isle. Memorandum for Gist's guidance going with these articles. 271
- November 2,
Detroit. Captain Donald Campbell to the same. Safe arrival of Major Rogers and his detachment. One man drowned, some bateaux driven ashore and cartridges damaged. It is 100 leagues from Presqu'Isle; this is a favourable season for the lake. Indians have joined; the consumption of provisions. Belestre would not believe they were coming as friends till he was shown Vaudreuil's letter; he then behaved very well. Mr. Navarre will act in his old capacity; he thinks the inhabitants can supply the detachment with flour till spring; the difficulty will be about meat. No dependence can now be placed on the lake which may freeze at any time. About stores, &c. Rogers is preparing to go to the posts to bring off the people, but it is not expected he can get to Michillimackinac. A treaty to be made with the Indians the day after to-morrow. The people seem happy at the change of Government; it was a very flourishing place before the war. Description of the fort. No word of Duplessis. 278
- November 4,
Carlisle. Hoops to the same. Arrangements for salting provisions, &c., for the winter. 282
- November 5,
Philadelphia. Alexander Lunan to the same. Has a quantity of ready-made shirts to dispose of. Personal news. 284
- November 8,
Niagara. Major Walters to the same. Has ordered a detachment to be ready for Presqu'Isle as ordered by Monckton. Has not a boat that can go on the lake; all were sent with Rogers, besides those pressed that belong to the traders. Details of the difficulties attending the forwarding of provisions. Waits for instructions as to the discharge of men whose time is up. Quarrel between two officers; Captain Wait has arrived for provisions, &c., &c. 285

1766.
 November 10, Venango.. Major Stewart to Bouquet. Lieut. Hamback set out with a light canoe; has no doubt he arrived at Pittsburgh last night. Respecting the forwarding of provisions; state of the bateaux, &c. Page 289
- November 13. Detail signed by General Monckton for the winter garrisons of the Western army. The detail shows "7 and 30 rank and file", but to what regiment they belong and where stationed is not stated, with this note; The rest of the officers of the Royal American battalion with what is left of the three hundred Virginians to lie at Fort Pitt. [The note is a fragment, almost undecipherable from damp.] 291
- November 16, Venango. Major Stewart to Bouquet. Movements of provisions and stores. Arrival of Captain Miles with part of the Penysylvanians that garrisoned the upper posts; the rest expected to-day. The Virginians who relieved them got up safe. The letter refers almost entirely to the forwarding of provisions, &c. 292
- November 18, Venango. Same to the same. Arrival of 20 bullocks; 15 of which, with a little flour, he sends to the upper posts. The difficulty of getting provisions owing to the ice in the river. The nails having arrived, the block house is finished, except the hanging of some doors, for which there are no hinges. Had hoped from the difficulty of getting provisions his force would have been reduced, but it is increased by a sergeant and 12 Virginians from Pittsburgh. Is uneasy at his situation and has sent express to Fort Pitt for provisions. 296
- November 21, Presqu'Isle. S. Miles to Capt. Hugh Mercer or to Bouquet in his absence. Sends list of deserters. The men all say they will not remain after the 26th of November. Has sent word to Venango. 298
- November 21, London. Lieut. John Wilson to Bouquet. That he is retiring from the army. 299
- November 23, Presqu'Isle. S. Miles to the same. Arrival of pack horses from Venango. Only 29 horses have arrived out of 41 (p. 289, the number in this letter is given as 23). A deficiency of flour. (By p. 289 there was no deficiency). The baker found guilty of embezzling flour sentenced to 400 lashes and to pay for it. He had sold a quantity of it to the men who deserted. 300
- November 23, Venango. Thomas Hutchins to the same. His (Bouquet's) baggage sent off. Expects to have a plan of the fort ready in a few days, and could send a sketch of the road from Pittsburgh to Presqu'Isle, with all the creeks and principal hills it crosses. 301
- November 25, Fort Pitt. Report of the fort guard, signed by A. Baillie; Lieut. 1st batt. R. A. R. The report is of the soldiers in prison for crimes; two being charged with murder. 275
- November 25, Venango. Major Stewart to Bouquet. Sends off dispatches received from Sir John St. Clair. The river rising Sir John has gone down the country. Is anxious for orders about the post. 302
- November 26, Presqu'Isle. Miles to the same. Arrival of a corporal and seven men from Niagara, after being wrecked. Cochrane cannot set out till boats are sent for him. A man escaped from the Indians saw the brig's boat wrecked about two days march from the mouth of the river, and ten barrels on the shore near her. Boat here left unfinished for want of oakum. 303
- November 28, Venango. Major Stewart to the same. Arrival of Lieut. Price with a party of Penysylvanians from Presqu'Isle, as well as the sergeant and 12 Virginians sent from here on the 14th to escort 44 pack horses to the upper posts. Desertion of a sentry and another soldier, carrying off all the oars. Sends returns; scarcity of meat and the Indians do not bring an ounce of venison; the men being without any clothes or meat, the infernal spirit of desertion has reentered them. There is now water enough in French Creek, if there were bateaux.
 P. S. The express sent with letters has returned being unable to cross the creeks. The land communication being cut off and the bateaux

1760.

November 28,
Fort Pitt.

unable to come up against the impetuous current, the only chance to get provisions is to send off the barge with six oars. Page 305

Bouquet to Stewart. His arrival; found orders from the General to send down all the Pennsylvanian troops, who, with the Royal Americans and 300 of his (Stewart's) regiment, are to garrison the forts on the south-east side of Lake Erie. Detachments to be sent from Venango to Presqu'Isle to relieve the Pennsylvanians and one to LeBoeuf. Cattle sent; he is preparing to send salt provisions and flour. If he has certain intelligence of the arrival of the Royal Americans at Presqu'Isle, he is to send what cattle, flour and salt he can spare, but no other detachments till further orders. By the rising of the river bateaux have been got to LeBoeuf and will continue to be pushed so long as there is a prospect of getting there. He is to take the necessary measures for the relief of the upper posts without waiting for orders. Further instructions as to the movements of detachments, &c. 307

December 1,
Detroit.

Major Robert Rogers to Bouquet. Has sent Lieutenant Holmes with English prisoners to be sent to their regiments or places of abode. Has been ordered to apply to him (Bouquet) for provisions, &c., for his rangers and French troops. Sends French men to Fort Pitt for cattle or to serve as guides. Should there be no cattle this post can get no support except from fort Duquesne. The inhabitants have engaged to supply flour. Captain Campbell with his company shall remain here for the winter as it is not possible to get provisions to Makina. He shall bring off the French troops. He shall write by Croghan. The inhabitants have all taken the oath of allegiance and delivered up their arms. 310

December 1,
Fort Pitt.

Bouquet to Stewart. Express arrived. Though part of the Pennsylvanians deserted, hopes the cattle arrived to relieve his anxiety about meat. The water being too high could not send a supply sooner. Buckner sets off to-morrow with 20 more bullocks, and bateaux are loading with salt provisions, besides whiskey, ammunition and Indian corn. If Indian horses could be got they could supply the upper posts, which he hopes have not been abandoned, but if the Pennsylvanians have been guilty of that infamy they are to be secured if they come near and sent to Fort Pitt under a safe guard. To procure venison if he can. After leaving the necessary instructions he is to come down. 312

December 2,
Fort Burd.

Sergeant Angus McDonald to Bouquet. Sends returns. There is no meat. The beef stinks like carrion. Asks for ammunition to enable the soldiers to hunt. Has no turnips to send as ordered. A contractor's clerk is in charge of the provisions. 315

December 3,
Fort Burd.

Same to the same. Has sent 255 bushels of corn. Would have sent more but the bags are rotten from lying on the ground, but does not know whose is the neglect. Sends men of his detachment with the bateaux, who he hopes will be returned. 318

December 4,
Fort Pitt.

George Kerr to John Donecastle. For a copy of the charges against him. 316

December 4,
Fort Ligonier.

Captain Woodward to Bouquet. Sends returns, which he did not make up till all the Pennsylvanians had left him. Has captured four deserters from the Pennsylvanians, who are to set off to-morrow for Fort Pitt. A sergeant and eight Virginians sent to Stony Creek. Would have sent forage but has not a horse. 317

December 4,
Fort Burd.

Colonel Stephen to the same. Argus McDonald arrived a day before him and the Pennsylvanians were gone. The horses in bad order; corn lying on the ground, the bags rotten and the corn wasted. The beef entirely spoiled. Has inspected and condemned it. 319

1760.
December 5, Venango. Instructions by Major Stewart to Lieut. Love going to Le Bœuf in command of a detachment of Virginians. Page 329
- December 5, Venango. Instructions by the same to Lieut. Dangerfield going to Presqu'Isle in command of a detachment of Virginians. 322
- December 5, Venango. Major Stewart to Bouquet. Has sent off detachments to Le Bœuf and Presqu'Isle as ordered: the bateaux on arrival shall be lightened and sent off to Le Bœuf. Does not believe that the Indians at this hunting season will go with or hire their horses for any reward, but has sent Hutchins to try. Other difficulties in getting horses. The last beeves were very poor. Will do all he can to send provisions to the upper posts. Asks for an explanation of orders as to the sending off of detachments. Several of the party coming with bullocks are frost bitten, so that they have been allowed to remain. Indians bringing in meat; how arrangements should be made for payment. Shall spare no pains to recover his (Bouquet's) horses. 324
- December 7, Fort Pitt. George Kerr to the same. Has not yet received a copy of the charge against him, which he is told is forgery. The reason of the charge and causes of his being detained. 328
- December 7, Carlisle. Hoops to the same. Respecting accounts for flour, &c. About 90 beeves are on the road; a month or six weeks will be time enough to send hogs to Venango and Presqu'Isle. Statements of provisions. About wine, &c. It is reported that Monckton is to be Governor of New York. Sir John (St. Clair) left this yesterday. Other personal news. 330
- December 8, Ligonier. Captain Woodward to the same. The corporal, cook, and other Pennsylvania deserters sent to Bedford. Impressed horses have been loaded with Indian corn and sent off. 332
- December 8, Philadelphia. Alexander Lunnan to the same. Calls attention again to his offer of shirts for the troops, &c., &c. 334
- December 9, Bedford. Jethro Sumner to the same. On his arrival, Ourry had been gone a week. Had relieved Captain Wilson at the crossing of Juniata. Sends returns. 335
- December 9, Venango. Major Stewart to the same. Arrival of Buckner with 19 cattle, 17 are sent to the upper posts, 5 for Le Bœuf and 12 for Presqu'Isle. Hopes to supply Le Bœuf with salt provisions. Has not been able to engage Indian horses. Is impatiently waiting the arrival of the 1st division of bateaux; when they arrive he will use every means to supply the upper posts. Does not fear that the Pennsylvanians will come off without being relieved, but if they do he will execute the orders. Respecting the return of bateaux, &c. Has offered a reward for recovering horses. 336
- December 11, Bedford. Jethro Sumner to the same. Has purchased shoes, the Royal Americans not having a pair that would bring them to this post. How is he to be paid for these and other necessaries? 339
- December 11, Ligonier. Woodward to the same. With note of forage sent. 341
- December 11, Detroit. Captain Campbell to the same. Respecting supplies of provisions &c., including the supplies contracted for and the venison promised by the Indians. Ammunition wanted; Major Rogers has required a great deal; he has gone to take the garrison from Michillimakinak, but if the frost overtake him he may have to return. The garrison there is said to have gone to winter with the Indians from want of provisions. Butler has been sent to bring off the garrison at the Miamis, but to retain the post if possible, as it is of importance for the carrying place to the Wabash. Croghan will inform him about the Indians; expects trouble in that department, for reasons given. Description of the fort and town. The people have granted everything asked for in quartering &c. There are

- 1760.
- December 14, Ligonier. salt pits; if he had kettles he could supply this and the upper posts. A small post at Sandusky would be useful for the communication with Pittsburgh. Bullocks, ammunition and goods wanted. Page 342
 Captain Woodward to Bouquet. Had sent off corn and oats before his letter reached, and could not overtake the convoy; will send no more. 340
- December 15, Presqu'Isle. John Christie to the same. On his arrival with his detachment, found Lieut. Dangerfield of the Virginian regiment; the latter with his detachment has marched to Venango, there not being a sufficient quantity of provisions for both. Sends state of the garrison. 348
- December 16, Venango. Miles to the same. His arrival from LeBœuf with all the garrison of Presqu'Isle &c. &c. 349
- December 17, Venango. Major Stewart to the same. Arrival of Mr. Zwemley with his command; note of stores he has left at LeBœuf. Returns of provisions here. What is to be done with the provisions for LeBœuf should the bateaux be frozen in before reaching? If he is to execute all the orders sent he must be here all winter. 350
- December 17, Le Bœuf. Ensign Love to the same. Sends returns. 352
- December 20, Fort Pitt. George Kerr to the same. Representation that he is still kept confined on the charge against him of which he is ignorant, &c. 353
- December 20, Venango. Major Stewart to the same. His difficulty in deciding what should be done with bateaux loaded for the upper posts, which have got to within five miles of Custologas. Has ordered them back to Venango. No provisions can be got to LeBœuf by water; has offered high rewards to Indians to carry them by land to the upper posts, but has no hope of them, the garrisons must, therefore, be reduced. Sends return of stores &c. brought by the barge and second division. There is a deficiency in the provisions and whiskey; the sergeant explains the cause. Asks for hinges, nails, &c to hang the doors. There is no light but through the loop holes, admitting a piercingly cold wind. His assurance that the disagreeable circumstances will not prevent him from doing his duty. Return of the party which took bullocks to the upper posts; all but three frost-bitten; two left ill on the road, who must be at LeBœuf or dead. Will forward the bullocks expected this afternoon. Hopes Pollock may arrive with the Indian money; the Indians have brought 1,000 weight of venison. 355
- December 21, Venango. The same to the same. Bullocks sent off. Indians arrived with venison. Hutchins will try to find his (Bouquet's) horses. The bateaux returned; has sent Stephens and his men down. Will return to Pittsburgh when he can get things settled. Arrival of Dangerfield and Irvine from Presqu'Isle; accidents on the way; they shall be sent forward. The road from Presqu'Isle to LeBœuf reported to be horrible beyond description. 361
- December 22, Fort Pitt. Thomas Colhoon to the same. Cannot get to Detroit and dare not go to Sandusky for fear of the Indians; asks that his trading permit be modified. 36
- December 22, Venango. Thomas Hutchins to the same. Thanks for his approbation; unsuccessful attempts to get Indian horses. Goes to Custologas to try there for horses. The Indians bringing in venison fast. 365
- December 23, Detroit. Captain Campbell to the same. Rogers and Braeme (Brehm) will give accounts of everything. Mr. Navarre's assistance. The Indians from Michillimakinak in distress for want of ammunition; they are almost starving. Expects Indians from all quarters; does not know how he is to satisfy them; wants ammunition sent. 367
- December 23, Venango. Instructions given by Major Stewart to Captain Buckner, placed in charge of the post when the major left Venango. 369

- 1760.
- December 23, Ligonier. Lieut. James Rolfe to Bouquet. Asks for leave to sell out, owing to his father's death and the necessity of looking after his affairs. Page 375.
- December 23, Fort Detroit. Ensign James Gorrell to the same. Major Rogers is to leave money for the purchase of the lieutenantcy. Asks leave to purchase should there be no older ensign. 377
- December 23, Venango. Joseph Galbraith to the same. That Major Stewart has taken a dislike to him; protests his faithful attention to the inspection of provisions, &c., although at times a little negligent. Asks that the officer left in command may be instructed to certify his vouchers, which Major Stewart had not done, &c. 378
- December 23, Detroit. Captain Eu-tache Gamelin to the same (in French). A letter of acknowledgment for all the kindness shown him. 380
- December 24, Fort Burd. Sergeant McDonald to the same. Respecting the corn, &c., sent and partly embezzled. Order from Stephen for corn which he cannot comply with without instructions, &c., &c. 383
- December 25, Fort Pitt. George Kerr to the same. Respecting the charges against him. He has answered all civil matters. 383
- December 25, Venango. Capt. W. Buckner to the same. Has forwarded orders to the upper posts. No provisions can be sent by Indian horses, this being the hunting season, and one Indian who promised now refuses. Should the garrison be reduced to 40, it must be the weakest and sick, as only the strong men could march; this would prevent him from sending escorts, &c. Will, therefore, wait further orders. Sends returns. Recommends that the commissary be superseded. 385
- December 25, Ligonier. Captain H. Woodward to the same. Had sent off the deserters before receiving his letter. Sends returns. Hopes the troops sent to relieve him will be some time in finding their way, as otherwise he would have a march of 500 miles, all the Virginian detachments being ordered to join the troops under Byrd, 300 miles from Winchester. 388
- December 27, Philadelphia. Mercer to the same. Personal and social. The Ohio Company have a share to dispose of and shall be glad that he (Bouquet) should purchase. Each partner has advanced £500; by paying that amount he will be entitled to the twentieth part of 500,000 acres; their assets besides the land. Social incidents including quarrels between the civil and military, one druggist being kicked and a merchant's nose pulled. 390
- December 27, Philadelphia. James Sinclair to the same. No settlement has yet been made with the people whose horses were employed to carry provisions to the upper posts, for reasons given. 394
- December 27, Philadelphia. Hoops to the same. Concerning accounts. Hopes that Hamilton's amusements will not hinder him from attending to business. Death of George II on the 25th of October; hopes the new king will prove as good as his father. The greatest fleet fitted out this war has gone against Holland. 396
- December 29, Philadelphia. John Inglis to the same. Offering him a fine stallion for his (Bouquet's) plantation up the country. 398
- December 29, Philadelphia. Alexander Lunan to the same. The things ordered shall be sent at once. News of friends, &c. 400
- December 29, Fort Pitt. George Kerr to the same. Further respecting the charge against him. 402
- December 31, Le Boeuf. Philip Love to the same. Sends returns of provisions; the garrison reduced to 12 rank and file, himself and sergeant. Parties passing on service are supplied with provisions. 404
- No date. Lord Adam Gordon to the same. Sends him best wishes, addressing him as Brigadier General Bouquet. 41
- 1761.
- June 30, Fort Pitt. Roll of the Company of militia in the Lower Town of Fort Pitt. 70

No date.	Note of furs remaining at Detroit, addressed to Belestre (in French).	Page 273.
	Note (in French) by Belestre of houses belonging to him at the Miamis.	274
	Price of furs at Detroit.	276
	Price of furs and skins at Pittsburgh.	277.
	A letter without date, address or signature, apparently an application for a commission, the writer offering to serve as a volunteer.	333

GENERAL CORRESPONDENCE.

1761. VOL. IV.

A. 16.

B.M., 21,646.

1761.		
January 1, Lancaster.	T. D. Hamback to Bouquet. He is anxious to enter into business with Van den Velden to trade to Detroit; asks for a letter recommending him for credit in Philadelphia. Asks for advice.	Page 1
January 3, Niagara.	Major Walters to the same. Arrival of Captain Brewer from Detroit in 24 days; that place, he reports, can supply Campbell's party with flour, and they had 19 oxen when he left. Recapitulates contents of previous letters and sends returns.	3
January 3, Venango.	Capt. W. Buckner to the same. The party sent with cattle to LeBœuf has returned; of the 28 sent, the commanding officer has kept 16 for his garrison and sent forward 12 to Presqu'isle; four of the men were frost-bitten; expects the eight men from LeBœuf who shall be sent to Pittsburgh. The disadvantage of not receiving money to pay for the meat bought from the Indians.	4
January 5, Philadelphia.	Alexander Lunan to the same. Respecting goods ordered and sent off, &c.	5
January 6, Carlisle.	Hoops to the same. Has received a letter for Penny the millwright, but has not seen him. Memorandum of the accounts he has settled. Will have plenty of flour, but is afraid will be short of beef. The General's approbation of his (Hoops') transactions. Sends flags for the coopers to use in making the casks.	6
January 6, Fort Cumberland.	Jetbro Sumner to the same. Thanks for his kind interference in a quarrel between him and the major.	8
January 10, Bedford.	Same to the same. The garrison at Stony Creek are out of flour; although he has no orders shall send a supply. Jacob Hooke, who stole one of the King's waggons, has escaped.	9
January 12, Bedford.	Major Heathcote to the same. The barracks not ready owing to the neglect of Lieut. Sumner; his disrespect to Ourry and afterwards to him (Heathcote) was so great that he was put under arrest.	10
January 14, Fort Pitt.	Bouquet to Lieut. Guy. Is to march under the command of Captain Mather to relieve LeBœuf. Instructions as to convoy on arriving at Le Bœuf, etc.	11
January 15, Ligonier.	Lieut. Rolfe to Bouquet. Respecting his arrest and asks advice.	13
January 16, Fort Pitt.	Bouquet to Captain Mather. Instructions for his guidance in command of the two detachments to relieve Venango and Le Bœuf.	14
January 17, Bedford.	Colonel Vaughan to Bouquet. The first division of the regiment marched this morning and will be at Pittsburgh on Saturday; the second division can't march before Monday.	17
January 23, New York.	Joseph Haynes to the same. Explains the business disputes between himself, Mr. Vosch and the latter's late partner.	18

- 1761.
- January 24,
Carlisle. Hoops to Bouquet. Sends important news from Germany. Goes to New York to get the accounts of the last campaign settled. Page 19
- January 25,
Fort Burd. Sergeant McDonald to the same. Has sent corn; asks orders respecting flour, &c. 20
- January 25,
Fort Ligonier. Captain Woodward to the same. Thanks for kindness. Has sent off his men; would have marched with them but was unable to do so from pains and waits the return of pack horses. 21
- January 27,
Le Boeuf. Lieut. Guy to the same. Sends returns. Is afraid that he will run short of beef, the cause and what he proposes to do. 22
- January 28,
Fort Pitt. Arthur Hamilton to the same. Proposal to supply staves. 23
- January 29,
Philadelphia. James Sinolair to the same. Hopes that the General will order a settlement of the accounts for impressed horses. Will make no delay when articles are ordered for the upper posts. Private news. 24
- January 29,
Venango. Capt. Mather to the same. Has arrived safely; progress of the detachments and the difficulties of the march. The villainous conduct of the commissary. Indians have promised to supply wild meat. 25
- February 1,
Fort Burd. Sergeant McDonald to the same. Has stopped Sergeant Collins' wife going off without a pass. 26
- February 5,
Fort Cumberland. Major Stewart to the same. Has arrived after a fatiguing march; the men wanting clothes, particularly shoes, rendered the inclemency of the weather doubly severe; many frost-bitten. Has discharged the pack horses for which he sends receipt. Has sent for Sumner to remonstrate with him on his quarrels with Major Heathcote. 27
- February 5,
Fort Loudon. John Blair to the same. The affairs of the plantation are right; the horses found. Captain Hambright wishes to see him on his arrival at the plantation. 28
- February 5,
Fort Pitt. George Croghan to Capt William Trent and Alexander Lowry. Having agreed with them on the price of goods to be sold to the Indians at Sandusky and Detroit, hopes they will sell at these prices and be careful to maintain a good understanding with the Indians, &c. 29
- February 6,
Philadelphia. List of prices of goods as agreed on follows. 30
- February 6,
Philadelphia. Alexander Lunan to Bouquet. Social gossip, &c. 31
- February 9,
Philadelphia. J. P. de Haas to the same. Recommends Mr. Van Hamback to be allowed to trade to Detroit. 32
- February 10,
Bedford. Lieut. Garstin to the same. Sending returns; is he to send them weekly or monthly? 33
- February 11,
Philadelphia. John Malcolm to the same. Asking that a negro may be secured to be returned to Thomas Outhbert. 34
- February 12,
Bedford. Garstin to the same. A prisoner, Philip Stone, recaptured; what is to be done with him? 35
- February 12,
Fredericksburgh. Hugh Mercer to the same. That he has begun the profession of medicine. Introduces Mr. Cunningham. 36
- February 13,
Venango. Richard Mather to the same. Virginians from Le Boeuf arrived in a distressed condition from want of shoes: most of them frost-bitten. If possible, will send them off to-morrow, the weather being moderate, but the creek above frozen hard so that bateaux cannot yet go. Buckner has quarrelled with Hickman the Indian, so that it is doubtful if horses can be got; only four are left of those brought out. Indians bringing plenty of venison, but there is no liquor. Returns sent. Corporal Swiney of the Virginians killed by the Indians. Guy's hardships on the march to his garrison. Various small items of news. 37
- February 13,
Philadelphia. W. Hamback to the same. Thanks for his recommendation. The credits for goods, &c., he has received; is preparing to set out on his trading expedition. 39

1751.
February 14, Philadelphia. Alexander Lunan to Bouquet. Details of the preparations made by Hamback and Vander Velden for the Indian trade. A cargo of goods belonging to Taylor and Cox sent to Detroit. Page 40
- February 14, Venango. Thomas Hutchins to the same. Cash wanted to pay the Indians for venison, the traders, &c. 43
- February 15, Fort Bard. Sergeant McDonald to the same. Will put the orders in force respecting Jacobs. Barney Rylie's corn worthless. Captain Buckner, with all the men but four who could not walk, has left. The sergeant in charge of the bateaux has refused to take the flour. The flour sent by Captain Christie is very bad. 44
- February 20, Fort Pitt. Bouquet to the agent of the provincial store at Pittsburgh. Sends a charge of selling liquor to the Indians that has been made against him, and desiring him to answer the charge. 45
- February 21, Winchester. Adam Stephen to Bouquet. Has sent his fat cattle, and corn to keep them in condition when crossing the mountains. Has sent these as a specimen of what can be done on his farm, &c. His plans for the work on the farm. The high price that must be paid for these cattle, if he is not to lose by sending them so far. 46
- February 24, Bedford. Garstin to the same. Sends returns. The prisoner has again escaped, the sentry sleeping on his post, for which he is confined. Stony Creek in want of flour; shall he press horses to send it? 48
- February 24, Presqu'isle. John Christie to the same. The loss of letters from Niagara. Captain Ridge has got a company in the 4th battalion. Flour damaged; poor quality of the beef sent. 49
- February 26, Lancaster. W. Hay, minister of the Reformed German Church, to the same (in French.) The murder by Indians, of George Maus, his wife and three children, at a small fort in Virginia, near the South Branch, where he had taken refuge. Three others, the oldest, a boy of 14, were taken prisoners, and a girl named Le Boy, who escaped, reports them to be near Fort Pitt with the Indians. Asks that efforts be made for their release. 50
- February 27, Carlisle. Hoops to the same. Has arrived from New York, with orders for a general survey of all the provision stores; starts for Fort Pitt on Monday. Asks that Hamilton be ready for the survey. 52
- February 28, Bedford. John Baggs to the same. Asks for a discharge that he may engage in trade. His brother takes his place. 53
- February — Fort Bard. Sergeant McDonald to the same. Can spare a party to take the prisoner to Fort Pitt. Respecting the recovery of horses. Robbery of Mrs. Colton by Mrs. Jacobs; has sent both to Bouquet; hopes Mrs. Jacobs will not be allowed to come back, as she is a common thief, &c. 54
- March 1, Fort Bard. Same to the same. Respecting stores. Rnsign Love still here very ill. Other reports as to stores, &c. 55
- March 4, Lancaster. Hamback to the same. His preparations for the Indian trade; asks for orders that he may not be stopped on the road. 56
- March 5, Pittsburgh. Answer by John Langdale, agent for provincial stores, to the charge of selling rum to the Indians, &c. 57
- A long letter of the same date accompanies the formal answer, entering into the details of the policy of the Indian traders. 60
- March 7, Philadelphia. Alexander Lunan to Bouquet. Respecting Hamback's affairs. Social gossip. Will have the shoes sent to Bedford, &c., &c. 66
- March 8, Fort Bard. Sergeant McDonald to the same. Asks for further orders as to the reception of Christie's flour, the man sent by Hoops refusing to receive more than a part of it. 68
- March 9, Philadelphia. Lient. James Dow to the same. Has arrived, and is desired to stay here till further orders. Reports about army promotions. Monokton reported to be made Governor of New York. Scraps of news. 69

1761.
 March 9, Pittsburgh. Langdale to Bouquet. Asks for orders as to supplying powder and lead demanded by an Indian in exchange for his furs. Page 71
- March 10, Detroit. Captain Campbell to the same. Is anxious for instructions. Healthy state of the garrison; the season has been favourable for venison; the inhabitants continue to supply flour and Indian corn, and do all they can for the service. Hopes to be able to support the troops without meddling with their cattle. There has been only one complaint against the soldiers, which he attributes to the want of rum. Will be in great need of clothing, but can make shift till an opportunity occurs. Drugs wanted; medical assistance given to the inhabitants. The Indians are pleased, except the Shawanese who continue to do all the harm they can; it is through them the commandant of the Illinois knows all that is done at Fort Pitt. Social enjoyments. 72
- March 10, Detroit. Lieut. James McDonald to the same. Applies for an opportunity to purchase in the battalion or any other regiment. The satisfaction of the inhabitants with the present situation. 74
- March 11, Venango. Richard Mather to the same. Sends returns. Salt sent to Guy to save the beef; hopes to send two months' flour when the weather permits. Has secured horses. Has been confined to his room with an obstinate fever, and is now scarcely able to crawl. Hopes for leave to come to Fort Pitt for a chance of recovery. No bateaux arrived. 76
- March 12, Charlestown. A. D'Ellient to the same (in French). Had been obliged to abandon the plantation of Walnut Hill to an overseer. His treatment, &c. (The letter is in a very tattered state). 77
- March 18, Fort Burd. Hoops to the same. The flour, &c. in good order. The careful attention of the sergeant. 79
- March 19, Philadelphia. Ensign Hubbard to the same. Has been appointed to an old regiment and ordered to New York. 80
- March 19, Fort Burd. J. Read to the same. The delay in arriving, the guides being so intent on hunting. The quantity of flour here, &c. A stone tomahawk found which the Indians believe belongs to the Cherokees. They have, consequently, given up hunting and returned to Fort Pitt. 81
- March 20, Fort Burd. Sergeant McDonald to the same. Hoops and Read have come and gone. Has sent to look for Stoddard, who has not yet arrived. Ammunition wanted. Asks orders as to allowing people to plant corn. 82
- March 21, Venango. Lieut. Baillie to the same. Has drawn for £20 Penn. currency, to meet contingent expenses. 83
- March 22, Lancaster. T. Hamback to the same. Thanks for preventing his horses from being pressed. Has taken two additional partners. Has invested £3,000 in goods, which have arrived, and he is ready to start. 84
- March 22. Sergeant Shryook to the same. Desertion of the Indian guides, carrying off one of the horses, &c., &c. 85
- March 24, Alexandria. Colonel John Carlyle to the same. Asks for orders to dispose of damaged provisions and bedding, which are an expense for storage. Has asked Colonel Washington for a copy of his remarks on the navigation of the Potomac; he had given them to the Governor and Council but thinks he has a rough copy. 86
- March 26, Philadelphia. Abraham Mitchel to the same. Has fitted out Hamback and his partners with a neat Indian cargo. The base treatment of them by Taylor and Cox. 87
- March 26, Venango. Lieut. A. Baillie to the same. Sends returns. French Creek still frozen over. Shall send one bateau to Le Boenf by the first opportunity. Has given Hickman an order for the hire of his horses. Reports the conduct of a drunken commissary. Garrison healthy. Other orders for cash, &c. 88

1761.
March 26,
Albany. Major Robert Rogers to Bouquet. Introducing Holmes, a newly appointed ensign. Page 90
- March 27,
Venango. Thomas Hutchins to Major Gates. Applies for an allowance for his trouble, in going twice to Presqu'Isle, as promised by General Monckton. 91
- March 28,
Philadelphia. Lieut Radolph Bentinck to Bouquet. Has been detained here by Monckton, who has promised to take him on an expedition, should he be appointed to command one. The rest of the letter is personal gossip. 92
- March 29,
Fort Bard. Sergeant McDonald to the same. The remains of Stoddard found 18 miles off; the Indians had stripped off the clothes and the ravens and wolves had left only the bones. Neither the horse nor anything could be found; a few papers torn were found, but no letters. Asks again about leave to be given to plant corn. 94
- March 31,
Carlisle. Hoops to the same. Will try to get the saw mill built this summer. Has been ordered to provide waggons for the Royal Welsh. 95
- April 1,
Winchester. Colonel Stephen to the same. Thanks for the dispatch given his people. Enters into details of the weight of the cattle, regarding which he believes a mistake has been made, which he estimate to amount to 4,000 pounds. The Assembly of Virginia has resolved to keep up the regiment till the 1st of December. He has asked Amherst for a powerful reinforcement to carry the war into the Cherokee Country. 96
- April 1,
Carlisle. Major Heathcote to the same. His arrival; three companies are to be added to the battalion, and to embark at Amboy, destination not known. Promotions and changes. 98
- April 1,
Venango. Lieut. Baillie to the same. Sends accounts. Has made pitch enough for one of the bateaux, which he will send to Le Bœuf, when the creek in a little lower; the bottom of the other bateau is rotten. Flour sent to Presqu'Isle; the cost of this. Respecting the issue of provisions. Sends garden seeds. The Welshers (Welsh Fusiliers) have gone back, as if they only came to view the place. 99
- April 1,
Philadelphia. Alexander Lunan to the same. Respecting Hamback and his Indian trade. 101
- April 2,
Philadelphia. Robert Morris to the same. Further respecting the return of a negro (p. 34) 102
- April 4,
Philadelphia. John Vaughan to the same. An expedition talked of but its destination not known. The first division to move to Amboy to embark in the transports, the 22nd and Montgomery's Highlanders to embark with them, &c., &c. 103
- April 4,
Venango. Lieut. Baillie to the same. Has sent a load of flour to LeBœuf, but is afraid of the creek falling before the rest arrives, if it is not here soon. 104
- April 6,
Fort Loud'un. Hamback to the same. His arrival with 40 horses chiefly loaded with goods for the French inhabitants; a bateau to carry the goods to Presqu'Isle, where the horses could load, would be a great benefit. 105
- April 6. George Ross to the same. Asks his countenance and protection to John Hart, to whom he has intrusted the management of his Indian trade. 106
- April 7,
Philadelphia. Lieut. James Dow to the same. Thanks for civilities. On the establishment of peace he intends to leave the army and to do some thing else. List of camp equipage ordered. Has received no orders as to his motions. Store rent due for a store not needed, &c. 107
- April 8,
Fort Bard. Sergeant McDonald to the same. Reports the result of inquiries into disputes about accounts. The Indian who brought in Stoddard's things is a great rascal and had plundered the body; he has stolen other things besides. 109

1701.
April 8, Presqu'Isle. Ensign John Christie to Bouquet. Is getting bateaux repaired. The lake opened on the 26th of March, but there were mountains of ice ten days later. Respecting the care of flour and other stores. Page 112
- April 8, Philadelphia. Colonel Vaughan to the same. The vacancy in the regiment filled up. The aversion of Amherst to promoting sergeants. He thinks of making his (Bouquet's) sergeant major, adjutant, which Russell is willing to give up for money or part of the pay for a determinate time. The General has left to day for New-York; he himself going to Amboy. 114
- April 9, Shawanese Oubins. Thomas Hay to the same. Has settled here and hopes he will not be dispossessed as he has a right to the land and deposited money for a warrant. He keeps a house of entertainment for travellers and shall obey orders sent him. 111
- April 12, Fort Pitt. Bouquet to Stephen. Explaining the care taken in weighing the cattle sent; of the short weight of which he has complained (p. 96). Will not tie him down to the contract price, as the quality of the beef made an agreeable change for the officers and sick. 115
- April 12, Venango. Lieut. Baillie to the same. Movements of flour and other stores. He is fencing in a garden. Whiskey needed for working parties. Hicks is reported, in a postscript, to have arrived from Le Boeuf. 118
- April 15. List of the number of houses and inhabitants out at the fort. Total 160 houses; 219 men, 75 women and 38 children. [The numbers include what are called "outlying soldiers," with their wives and children.] 120
- April 15, Walnut Hill. Mrs. Sophia Fesch to Bouquet (in French). A long detail of her husband's situation and the intrigues against him, &c., in regard to Bouquet's plan of action. 126
- April 16, 24, Niagara. Major Walters to the same. Sends returns by Capt. Cochrane who takes the party to Presqu'Isle. Difficulty of getting money, with remarks on the consequent hardships. 131
- April 17, Niagara. Dr. Stevenson to the same. Reports the garrison healthy and no appearance of scurvy. Has asked for information to enable him to have medicine for the campaign forwarded. The river will be full of ice till June as all that from the Lakes Erie, Huron and Superior pass this way. Plenty of fine fish. 133
- April 17, Philadelphia. Alexander Lunan to the same. Will send shoes in two or three days. 134
- April 21, Carlisle. Hoops to the same. Has been unable to get a millwright. Has his account for the last campaign nearly settled, but not the victualling part of it. The Virginian Regiment is to be victualled by the Crown. The Assembly has granted 800 men. Cattle going off in a few days, &c. 135
- April 21, Carlisle. Hoops to the same. Introducing M. Plummer, who intends setting up as a saddler and shoemaker at Fort Pitt. 136
- April 22, Philadelphia. Alexander Lunan to the same. Has sent to Fort Pitt all the shoes he could get. Sends account to Captain Barnsley, &c. Respecting the prospect of Hamback's Indian trade, &c., &c. 137
- April 23, Philadelphia. Lieut James Dow to the same. Has sent instruments, &c. What is he to do with the clothing and camp equipage? Respecting accounts; everything ordered is ready. The Assembly has agreed that 500 more men should be raised but, with the clauses inserted, the Governor cannot pass the Act. Report of troops that are to embark to garrison Guadaloupe, and that four regiments are on the way to New York. 139
- April 24, Venango. Lieut Baillie to the same. Reports of flour sent. Sinking of a bateau and loss of pork, arms, &c., but men saved. Can send no more flour till he gets a supply. What allowance is he to make to the men in the bateaux? They ask one shilling and six pence a day. The bad conduct of Greenwood, the commissary, reported in full. Necessaries wanted for the men, &c. 141

1761.
April 24, Niagara. Major Walters to Bouquet. Captain Cochrane marched hence to Presqu'Isle on the 18th. Sends returns. Page 144
- April 25, Presqu'Isle. Ensign Christie to the same. Bad condition of the boats; repairs ordered. The garrison well; it has been an extremely cold but healthy winter. 145
- April 25, Fort Pitt. Bouquet to Major Walters. Except one of the 3rd January the letters sent by him since October have been lost or miscarried; asks for copies of the monthly returns. Sends copies of the general orders with promotions, &c. Asks list of men claiming their discharge. Provisions for the detachments at Detroit and Presqu'Isle are to be sent from Niagara. The Pennsylvanians have only raised 300 men and he hears refuse to raise more. 146
- April 26, Le Boeuf. Lieutenant Guy to Bouquet. Will in future send monthly returns of the stores. The men healthy, but in great want of shirts, shoes and stockings. Part of the beef unfit for use. Will begin to make a garden, has a small one already with 1,000 cabbage plants up. The sergeant with six men, sets off to-morrow for Venango. 148
- April 28, Carlisle. Hoops to the same. The Virginians to be victualled by the Crown, Hamilton to take charge, &c. Ourry expected to-morrow. The Assembly has broken up, having done nothing, as the Governor could not pass the bill they sent up. The delay about the building of the mill; is trying to get a man. 149
- April 29, Charlestown. Robert Skiddy to the same. Letters supplementary to that of Mrs. Fesch (p. 126) respecting the disagreements on Bouquet's plantation. 151
- April 30, Venango. Lieutenant Baillie to the same. Arrival and dispatch of flour, &c. Has picked up nearly all the arms, &c., lost by the swamping of the boat. (p. 141). Will send list of necessaries wanted, &c. 154
- April 30, Philadelphia. John Taylor to the same. Returns thanks for his countenance to the men employed by him (Taylor) in carrying goods to Detroit. 156
- April 30, Charlestown. A. D'Ellient to the same (in French). Sale of negroes. The conduct of Mr. Fesch, &c. An account of disagreements on Bouquet's plantation; the writer's wretched state, &c. 157
- Niagara. Dr. Stevenson to the same. Writes by the first boat to Oswego this season for the medicines provided for the next campaign. The men healthy during the winter, and no appearance of scurvy, owing to the spruce beer, exercise in the dry frosty weather and fresh fish. Has been two years on the frontier; asks to be moved to Fort Pitt. 159
- April (?) Philadelphia. Lieutenant Dow to the same. The Royal Welsh arrived and marched for Amboy; seven regiments are on the march for Long Island, destination unknown, &c., &c. 160
- May 1, Philadelphia. Alexander Lunan to the same. Dealing with Bouquet's private affairs; social news, &c. 161
- May 2, Ligonier. Lieutenant Blane to the same. Shall suffer no pressing of horses without his (Bouquet's) orders. Is gratified at the good opinion expressed of him and will remain here without complaint till relieved, but will require certain necessaries. The difficulty of settling which of two corporals is to be reduced to the pay of a private. 163
- May 2, Carlisle. Capt. De Haas to the same. Why he has not at once marched with his company. 165
- May 4, Presqu'Isle. Ensign Christie to the same. Arrival of boats and eight French prisoners. Details of flour, &c., sent off. 166
- May 4, Venango. Lieut. Baillie to the same. Bill drawn in favour of George Good, for carrying flour to LeBoeuf. 167
- May 6, Presqu'Isle. Capt. Cochrane to the same. His arrival; Christie has kept things in good order. Account of the difficulties on the road between Niagara and here. Respecting men who want their discharge. Character of the

- 1761.
- corporals who might be promoted; privates recommended to be made corporals. Remarkably good conduct of the detachment. The rest of the letter relates to the internal affairs of his company and some personal matters. Page 168
- May 7, Hamback to Bouquet. His arrival and good reception. Had lost
Beavertown. some horses on the road, and must buy from the Indians, who insist on getting cows in exchange which he has ordered from Pittsburgh. 174
- May 8, Captain Wilsen to the same. Has been appointed to raise an independent company. 176
London.
- May 11, Lieut Guy to the same. That he has not neglected answering any of his letters. Beef sent to Venango, flour to Christie, &c, &c. 175
Le Bœuf.
- May 11, Lieut. Dow to the same. Letters received. Articles shall be sent down. Is not staying here for pleasure, but because he was ordered to do so. Sends returns of arms. The commission for his son, said to be dated on the 12th of December, has not yet arrived. 178
Philadelphia.
- May 12, Lieut. Baillie to the same. Carpenters sent off; delays on their journey. Beef has been delivered at LeBœuf. Sends returns of expenses. Rum not allowed to be given to Indians. Movements of officers, stores, &c. 19
Venango.
- May 12, Colonel Stephen to the same. Thanks for the trouble taken about the weights of the oxen. His detachment is now on the march to Fort Chiswell; 200 Cherokees, encamped about quarter of a mile from the fort, were attacked through the night, supposed to be by northern Indians, and had six killed, besides many wounded. They left 50 women and children with major Lewis and went off to look for their assailants. 181
Winchester.
- May 13, Lieut Blane to the same. Arrival of the first division of Pennsylvanians to march to-morrow; Zwinglis, in command, has been supplied with tools for the road, to make it passable for waggons. The road from the Alleghanies to Edmund's swamp is so bad that it is difficult for men and impossible for waggons. Can hear nothing of the deserters. 182
Ligonier.
- May 14, Captain Cochrane to the same. Shall have timber prepared for the carpenter. Returns sent. Respecting boats; two French boats found hidden in a creek at Little Niagara. Further respecting the movement of stores and other internal affairs. 183
Presqu'Isle.
- May 14, Lieut. Blane to the same. That he omitted to notice orders about passengers, Indian traffic, or liquor to the Indians, which he shall observe. 185
Ligonier.
- May 14, Ensign W. Hay to the same. Thanks for his kindness; is trying to make up the quarrel between himself and Major Walters, and feels he had been in the wrong; has been behaving well for months past; asks him to write a few lines to the General in his favour. 186
Niagara.
- May 15, Major Walters to the same. Note of returns sent. Respecting promotions and demands for discharge. Provisions sent to Detroit. Money wanted and for what required. 188
Niagara.
- May 17, Lieut. Baillie to the same. The canoe arrived from LeBœuf and sent back with beef. 190
Venango.
- May 20, The same to the same. Has received flour by John Pierce and put it in store, also necessaries for LeBœuf. 191
Venango.
- May 21, Pierre de Peyster to the same. Inquiries about a run away slave. 192
New York. Description annexed. 193
- May 21, Captain Campbell to Bouquet. Arrival of powder and cattle, the latter low and not fit for use; the "Serpent," who brought them, had lost three horses on the road, but the weather was very bad, and he had done his duty. Thanks for support; he is obliged to give powder to the Indians, as has always been the case, which it would not be safe to deviate from. His difficulties in getting provisions; the expedition in

1761.

obtaining them from Presqu'Isle has surprised the French. How he has disposed of his detachment. Has sent off twelve persons belonging to Pennsylvania and Virginia got back from the Indians. Is afraid he may be charged with giving too much provisions to the Indians, but there was no help for it. Wishes the Indian trade were put on a better footing; at Niagara, where the Indians go, there is no control on selling rum, they buy it and return without ammunition, becoming a burden on the commanding officer here. Respecting the influx of traders; Makinak will be an outlet for some of them, &c., &c. Page 194

May 22, Detroit. Ensign James Gorrell. Respecting his prospects of purchasing a lieutenantancy. 198

May 22, Philadelphia. Hoops to Bouquet. Has lost a letter with orders; asks for a copy. Monokton expected in a few days. 199

May 22, Philadelphia. J. C. Schweighauser, to the same (in French). Has written about papers relating to the late Lieut. Hess, but has received no answer. If his effects are sold he has power to draw the money or to get the effects if they are still on hand. 200

May 23, Sandusky. Capt. Callender to the same. Respecting his trade with the Indians. 201

May 24, Kennet. Captain Gordon to the same. Desertion of Ripley, left here to take charge of baggage; does not yet know if he has run him (Gordon) in debt, as he had opportunities of doing. Hopes that the horses ordered to be purchased for the work may be got by Thursday, when he would go to the General for his last orders. 202

May 24, Fort Burd. Sergeant McDonald to the same. Has received the bags for the flour, but they are old and some fit for nothing. Sands returns. His candles done. Wishes some to be sent. 204

May 24, Sandusky. Hamback to the same. Reports his progress and the discouraging prospects of trade. Captain Callender has sent off a cargo and proposes to go into partnerehip. Asks for leave to trade to the upper Lakes, as there is a better chance there of trading with the Indians. 205

May 25, Venango. Lieut Carre to the same. Has arrived; Baillie has transferred the orders to him; sends returns. The rain has swelled French Creek, which was very low when he passed; shall send off a bateau with five barrels of beef. How is he to settle with the bateau men? 207

May 25, Ligonier. Lieut. Barnsley to the same. Has recovered from his fall; is resting here to get saddles, the horses shod, &c., and to proceed to-morrow. Has made up the quarrel between Byerly and the sergeant. Has ordered the sergeant to take men and cut away the trees that were blown across the road near Bushy Run, and asked Blaine to get the trees cleared off the road near Ligonier. 208

May 26, Winchester. Stephen to the same. Colonel Byrd expects the garrisons of Fort Burd and Cumberland to join him, &c. 210

May 26, Carlisle. Colonel James Burd to the same. Troops ordered to march to Pittsburg; the arrangements. 211

May 27, Old Town. Thomas Cresup to the same. Proposes to him to be a candidate to be elected as one of the four representatives of the county. 212

May 27, Fort Pitt. Arthur Hamilton to the same. Certifying the quantity of flour sent to Venango in charge of Pierce. 213

May 28, Philadelphia. Alexander Lunan to the same. Social gossip. Is obliged for his kindness in the affair of the shoes. 214

May 28, Bedford. Capt. Barnsley to the same. Note of what has been done and is proposed to be done with the shoes sent by Lunan. He leaves this to-morrow morning. 215

May 29, Kennet. Capt. Gordon to the same. Further about the desertion of his batman (p. 202). Recommends private Leech for his discharge, he being

- 1761.
- lame and having got an excellent recruit to take his place. Goes tomorrow to get the General's orders. The delay in the examination of accounts in New-York. The General [Amherst] satisfied after explanations by Monckton. Page 216
- May 29,
Venango. **Lieut. Carre to Bouquet.** Has sent a bateau to LeBœuf. The plan of some of the men to desert; shall take care to frustrate it. 218
- June 1,
Detroit. **Capt. Campbell to the same.** Had kept the sergeant's party for Presqu'Isle, as he needed a strong guard, there being hints of an Indian rising. Is preparing timber for ten bateaux. The carpenters would have come quicker by Sandusky. Supposes that everything is ready for the campaign, the troops on the march to reinforce this place and take possession of the posts. The necessity of giving presents to the Indians to keep them in good temper. Has induced all but the Wyandots to give up their prisoners. There is a great spirit among the Indians to go against the Cherokees, which he encourages and supplies ammunition. Traders arrived from Fort Pitt; has taken measures to prevent their selling rum to the Indians; the mischief caused by its use. The vessel cast away last year on the North side could be made fit for service and employed in the trade to Michillimakinak. Has repaired bateaux. Will give a ball on the King's birthday; the manner in which the ladies turn out is surprising. 219
- June 1,
Le Bœuf. **Lieut. Guy to the same.** The Mingoos stealing horses near the fort: the account of their proceedings is given at length. Returns of stores; leaky state of the bateaux, &c. 221
- June 1,
Presqu'Isle. **Capt. Cochrane to the same.** Arrival of Lieut Dow, with one sergeant and 18 privates, making 60 rank and file; he brought pork, flour, &c. Supposes that Major Walters has sent returns. Account of the drowning of Duncan Grey, a drummer. Building a new and repairing old bateaux; materials wanted, &c. Sergeant sent off with dispatches. Affray with Mingoos, and the cause; narrow escape of Mr. Dow. A reinforcement sent to Mr. Guy. What steps he proposed to take with the Indians had they not gone off. Forged certificate by a soldier to obtain his discharge. Another drummer wanted. Dow wishes to remain with his (Cochrane's) company; asks that he may do so. 225
- June 2,
Presqu'Isle. **Same to the same.** Sends this by sergeant Shryock, who goes for provisions to Niagara, taking one corporal, 8 privates and eight people who were prisoners with the Indians. Three women who were also prisoners are detained till another opportunity. 230
- June 4,
Fort Burd. **Sergeant McDonald to the same.** Has put flour into the bags he has; but there are not enough, and the flour is getting hot in the garret, so he has shifted it from one garret to another. 231
- June 4,
Venango. **Lieut. Carre to the same.** Sends return of pouches lost in the bateau that was sunk. The commissary wants money. 232
- June 5,
Philadelphia. **Lieut. Dow to the same.** Thanks for entering his son and servant on the books. His eldest son's commission has arrived. Shall be exact about expenses for clothing. Monckton expected. About 3,000 tons of shipping taken up. 233
- June 6,
Presqu'Isle. **Capt. Cochrane to the same.** Dispatches sent. Gorrel reports more troops ordered for Detroit; hopes he may be sent there to command, so he may thus recommend himself to Amherst and Monckton: the behaviour of his company would do him honour and the company is proud of his (Bouquet's) approbation. Believes himself qualified to command at Detroit and knows the language pretty well. Minute details about materials for repairing bateaux &c. Dow's anxiety to get to Detroit; the idleness he shows in study, &c. 234

1761.

June 8,
Venango.

Lieut. Carre to Bouquet. Arrival of bateaux with flour. Sergeant Shryock met a bull in the woods which he shot, the bull being too wild to drive. It may have belonged to the King, but if it belonged to the Indians they are sure to complain and he shall settle with them. Page 237

June 8,
Detroit.

Capt. Campbell to the same. The Indians come from all points, who must get provisions, &c.; is surprised the Generals give no orders about this. The Jesuits of Michillimakinak write to the Recollet priest here that their Indians were never more hostile than last winter. Monseigneur Langlade and some of their chiefs had difficulty in preventing them from coming to attack Detroit. Mgr. Langlade writes that they are now peaceably disposed and will come here soon. The French never saw so many at this place in former times. A great many go to Niagara for the rum, but there is still a considerable trade here. The traders from Pittsburg have brought goods for the inhabitants only, not understanding the Indian trade. Ammunition and other articles wanted. Lumber prepared for bateaux. Gorrel expected from Niagara with flour. Has made this place easy for his successor. 238

June 9,
Ligonier.

Lieut. Blane to the same. On the arrival of the Pennsylvanians will send off the present garrison, except a drummer and an old man, his wife and two children, for reasons given. Cannot settle the company's accounts till he gets returns from Fort Pitt. Thanks for kindness. 240

June 10,
Venango.

Lieut. Carre to the same. Will load bateaux with provisions for LeBœuf. 241

June 10.

Lieut. Blane to the same. The Pennsylvanians arrived; has sent off the Royal Americans. The arrangements he has made to relieve the posts at Stony Creek and Bushy Run. Arrival of 44 superfine bullocks, which will be with him (Bouquet) in six days. 242

June 10,
Fort Pitt.

Bouquet to Major Walters. Returns received; is pleased at their exactitude and at the loss of so few men at a place where the 44th buried such numbers. Sends a list of men who may be discharged, their time being up; some whose claims are dubious are to be retained for the campaign. Financial arrangements for the battalion; settlement of old accounts going on. Respecting the disagreement with Ensign William Hay. Ministerial changes in Britain. Monckton to be Governor of New York and, it is said, to command on the Continent during Amherst's absence on the expedition to the West Indies. List of promotions. How accounts are to be made out. Is glad that he has been able to supply Detroit and thinks he should this summer provision Presqu'Isle to the first of June, 1762. 243

June 12,
Fort Pitt.

Same to Rattray, Charlestown. Asks him to prevent the sale of negroes on the Fesch and Guinand plantation, as, although its purchase was made in these names, the money was paid by himself and his friends in London, and it is hard their property should be sold for the personal debts of these men. 246

June 15,
New York.

Capt. Barnsley to Bouquet. Has been delayed on the road by illness. Reports the progress of the settlement of the accounts of the battalion. The committee has prepared the report, but it is understood that Amherst will send it with the accounts to England. Respecting the settlement of the recruiting accounts. Further about accounts, returns &c. 247

June 15,
Venango.

Lieut. Carre to the same. Letters, beef and pork received. Ill treatment of George Neely by Indians on his way up. Mrs. Oremar sent down. Venison hams sent by Neely. Locks wanted to secure the flour. 250

June 15,
New York.

Capt. du Ruyne to the same (in French). Introducing Ensign Pauly. The General is with his family at Albany. An expedition spoken of. A camp for 15 battalions looked out at Staten Island, and Rivet examining the road on the North River, &c. 251

1771.
June 14.
Detroit.

Capt. Campbell to Bouquet. Has been alarmed by the reports of Indian designs which put him on his guard. The plot was first discovered by the Northern Indians, but it is now found to come from the Six Nations. They have sent deputies and belts to all the Indians from Canada in the Indians to take up the hatchet against the English. Two of the deputies 'Sagoye Chero' came a few days ago to invite the Indians here to a great council at Little Lake to meet the Delaware and Shawanese. Efforts to be made to keep the nations here from going. The plan is to cut off the communications, stop the roads at Niagara, Fort Pitt and here, seize the goods and horses of the traders at Sandusky. Has sent Hamilton with 50 armed men and bateaux to bring the traders goods here. There is no doubt of the truth of this; it came directly from the Senecas, who, with the rest of the Six Nations, are to assemble at French Creek about 25 leagues from Presqu'Isle. Has sent word to Niagara, but in case it accident he (Bouquet) might also send word to Detroit where there were here with the provisions he would not be uneasy for the rest.

Page 253

June 17.
Detroit.

Same to Covington. The Delawares, Shawanese and a part of the Six Nations intend to surprise Fort Pitt, first intercepting the provisions. Word to be sent off to Bouquet.

254

June 18.
Niagara.

Major Waters to Bouquet. Sends returns; has discharged eleven Indian men. Almost certain he will be at this post soon; he orders that the soldiers applying for their discharge are to be kept as they are; they will not be reckoned a moment longer than is necessary. Hopes Bouquet will come and bring money.

255

June 19.
L'Anapim.

Leut. Stone to the same. Sends returns. Difficulty of preserving the Indians. Express to be sent. Was unable to clear the men for want of money. Will settle the whole to the 24th of June from the 11th drawn for.

256

June 20.
New York.

Capt. Baskin to the same. Introducing Ensign Pauli (Pauli in another letter) who has been ordered to join the battalion at Fort Pitt.

258

June 21.
Venango.

Leut. Crane to the same. Has received beef, pork, tools, &c. Mrs. Ormer's account after being taken 24 miles; the boatmen now going down promise to take care she shall not give them the slip.

259

June 22.
Philadelphia.

Abraham Miller to the same. Asks his interference to obtain a settlement from the Edmund Murray for goods purchased.

260

June 23.
Detroit.

Capt. Campbell to the same. The intentions of the bad intentions of the Indians is to unite. Has assembled the nations here, who promised to report what he deputies from the Six Nations proposed at the Wyandot village where they were: sends their report in French. In case the express by Presqu'Isle had sent Aaron, a Mohawk, to pass by the Little Lake and carry news to Fort Pitt for which he is the more anxious as one of the designs is to surprise that fort by a party of Six Nations. He awakes all Shawanese, the rest to assemble at French Creek at Little Niagara with the assistance of the northern Nations. Has sent an express to the General by way of Niagara, but asks him to communicate also in case of accident. Ensign Gorrell had returned from Niagara with the bateaux which makes him easy as to the post. Ammunition refused by Major Waters; some taken from the traders. Preparations for building bateaux.

263

June 24.
Burlington.

Hambrook to the same. Is grateful for the settlement with the Indians. Trade going on well; would like to separate from his present partners and to be concerned with Captain Callender, who is willing to agree to this.

264

1761.

June 21,
Ligonier.

Lieut. Blane to Bouquet. Will keep the four men from Stony Creek as ordered. No cartridge paper arrived. Captain Little with a hundred odd Pennsylvanians, marches to-morrow. Page 266

June 24,
Presqu'Isle.

Capt. Cochrane to the same. Sends the letter from Campbell with report of the Indian plot. Shall take every precaution. Attack by Indians on Mr. Guy, on his road here from LeBœuf, whom they robbed of his horses. Dispatches sent off. Sends the letters to Venango by Mr. Baird and another letter to LeBœuf to be sent by another hand. 267

June 24,

Same to the same. Gives information similar to that of Captain Campbell, respecting the Indian plot. 269

June 24,
Carlisle.

Colonel Armstrong to the same. Delay in opening the land office; no letter from Mr. Penn. The letter gives information respecting the Ohio Company, the settlement of the lands, quarrellings, &c., offering a disagreeable prospect. 271

June 24,
Ligonier.

Lieut. Blane to the same. Sends returns. Has received cartridge paper, which was carried past. Little's horses stolen by two Mingoes, who have been overtaken, are killed and the horses recovered. Respecting certain accounts between Stimbel and Woodward, &c. 273

June 24,
Detroit.

Gamelin to the same (in French). Thanks for kindness. Will do what he can for Hamback, who, he has no doubt, will succeed. Sends a beaver skin, &c. 275

June 25,
Le Bœuf.

Lieut. Guy to the same. Has forwarded by way of Venango the letters received from Cochrane. The attack on him by the Indians reported by Cochrane; will be on his guard. Powder horn and bullets stolen by two Indians from a soldier. 276

June 25,
Presqu' Isle.

Capt. Cochrane to the same. Reports a talk Baby had with some Hurons at Sandusky about the designs of the different nations who professed ignorance of the designs of the Council. 277

June 26,
Venango.

Lieut. Carre to the same. Forwards letter brought by express from LeBœuf; shall be on his guard. Does not think it safe to send off the bateaux to LeBœuf. 278

June 27,
Detroit.

Capt. Campbell to the same. The ammunition and Indian goods are arrived from Sandusky; the imprudence of Callender and Hamback in telling the Indians the reason; they have asked Callender to go to Fort Pitt to say it is a false alarm. It is true nevertheless, as the copy of the Council's proceedings sent by Aaron will prove. The discovery may frustrate the plot, but the evidence will appear. The Seneca chief reports the designs of the Shawanese to carry off the horses at Fort Pitt and along the Monongahela. A word of defence for Lowrie the sutler; would take it as a favour if Lowrie's past crime could be forgiven. The loss to Detroit and the Indians by the sale of rum at Detroit. 279

June 27,
Niagara.

William and Margaret Summerfield to the same. Asking for news of their child, if he is well treated, &c. 282

June 27,
Detroit.

Hamback to the same. Has returned; he and Callender told the Indians of the discovery of the plot to prevent mischief. Has remitted £1,100 in furs and dressed feathers, retaining skins and bills to the amount of £300 more. Is ready to pay the £100 advanced by Mr. Lunan. 283

June 27,
Venango.

Lieut. Carre to the same. Forwards letter just received by express from Cochrane. Sends it by water, in case the road be waylaid. 284

June 27,
Venango.

Same to the same. Sends another letter just brought by Mr. Baird. Has not found the lost tools. 285

June 30,
Pittsburgh.

James Kenny to the same. Cannot bear arms without abusing his conscience. If he is to leave in two days asks if his goods shall be taken care of. 295

June 30,
Niagara.

Dr Stevenson to the same. The want of society with the miserable uniformity of life here, hurts them in every way. His visits to the Falls.

1761.

The 55th at Oswego relieved, and five companies gone to New York. Still expects to see the General soon. Page 294

June 30,
Presqu'Isle.

Capt. Cochrane to Bouquet. The only thing that has happened so far at his post with the Indians is their robbery of an expresse, from whom they took his gun, ammunition and provisions but otherwise treated civilly. Has received flour, pork and letters from Niagara, the latter of which he sends. Concerning provisions. No tools arrived. Respecting soldiers claiming their discharge, with details of some of them. Scarcity of shirts, shoes and stockings from the failure of Levy [Lowry?] the sutler to send them. General Amherst expected. State of the bateaux. Thinks of sending to Charles Townshend some petrifications he has picked up on the lake, &c., &c. 289

June 30,
Niagara.

Major Walters to the same. The troops mustered by Mr. Pitcher, the muster-master. Returns wanted of the strength of the battalion to 24th April, 1760. Amherst has ordered the men entitled to their discharge to be retained. The affair of Ensign William Hay is out of his hands. The quarrel between Ensign Schlosser and Demler is allowed by General Amherst to be settled. Lieut. Robertson with carpenters and materials, has arrived to build vessels on Lake Erie; as he is to assist, the works on the fort will suffer. Cannot send flour wanted by Cochrane. Names of supernumeraries. 26

LETTERS TO COLONEL BOUQUET.

1761.—VOL. V.

A. 17.

B. M., 21,647.

1761.

July 1,
Philadelphia.

Plumsted and Franks to Bouquet. Intend to leave this month for Pittsburgh; hope their cattle have done well there, &c. Page 1

July 1,
Niagara.

Ensign William Hay to the same. Thanks for his kindness. Has written to the General as hinted by the Major, so as to get out of his unlucky scrape. If that was settled, he would beg to be removed to some other post. Regimental news. 2

July 1,
Philadelphia.

Lieut. Dow to the same. A polite letter of social gossip. 3

July 2,
Ligonier.

Lieut. Blane to the same. Congratulates him on the discovery of the Indian plot; Pittsburgh can be defended against all the Indians in America; hopes the upper posts are on their guard. Coffey, the expresse, got safely over Laurel Hill. The deficiencies at this post. The work he has done on the defences. Has supplied the post well with provisions; has found cartridges and kept two artillery men to make repairs. Stony Creek might be abandoned and that garrison join this. 4

July 3,
Venango.

Lieut. Carre to the same. Has sent off three expresses with intelligence from Capt. Campbell. Report of the expresse from Fort Pitt on the state of the road. Returns sent. The keg of rum was stolen from an Indian three months ago; the thief Barny McCannon, got 300 lashes. Has just received letters from Niagara, which he sends to Fort Pitt by Baird. 5

July 7,
Detroit.

Capt. Campbell to the same. Sends this by a deputy of the Six Nations returned from Sandusky. Another council held at the Wyandot village, at which it was recommended to go no more to war against the Cherokees, as there would be other business. The deputy then produced a belt painted red, (called a war hatchet) on behalf of the Six Nations, Delaware, Shawanese and Southern Indians, urging them to dispossess the English. The Wyandots, who were specially addressed, would only answer in the 6

1761.

(Campbell's) presence, and, thanks to the interpreter, the majority of them were gained over against the deputy's proposals. The chiefs of the nations here brought the Six Nation chiefs and delivered up the war hatchet, in token of their good intentions. The Six Nations, surprised at this, acknowledged their plot, attributing it to ill-usage; will go back to urge peace, but hoped that they would be better used. Interchange of belts and speeches. The pillaging about Fort Pitt is said to be done by Delawares and Shawanese. Asks that the information be sent to the General and to Sir William Johnson. Page 10

July 7,
Ligonier.

Lieutenant Blane to Bouquet. Has sent off oats and received powder. Will take care of the fort and men. The precaution he took in sending word, not trusting the messenger's fidelity. Respecting the strength of the garrison, &c. 16

July 8,
Winchester.

Robert Rutherford to the same. Sends account for salt to be certified, payment being refused by Hoops. 18

July 9,
Presqu'Isle.

Captain Cochrane to the same. Dispatches received. Corporal Tull returned from Niagara without provisions, there being none to spare there; between 200 and 300 New Yorkers have arrived there to build sloops on the Lake. Respecting muster rolls, &c. Did not believe the reported designs of the Indians, but neglected no precautions. His reason for doubting the truth of the reports, but wrote to Guy to be on his guard. Cox left all his horses here, but though they strolled off for several miles not one has been lost. Repairs to the breastwork and other parts of the works. Ammunition returns sent. Is glad Young's accounts are settled. The small number of Pennsylvanians would surprise him, were he less acquainted with the old policy of the Province. McDougall's troubles over the muster rolls and returns. 19

July 12,
Venango.

Lieutenant Carre to the same. Shall receive no more Indian corn; sends return of that now in store. Hutchins sent to Custologastown for intelligence. Custologa returns with Hutchins and says there are no bad intentions that he knows of, but he will inquire and report, and ended by asking for rum. Beef sent off to LeBouf. Escape of deserters. 24

July 16,
Ligonier.

Lieutenant Blane to the same. Shall send powder. Settlement of accounts, &c. 26

July 17,
Charlestown.

Andrew Fesch to the same. Has forwarded effects to New York. The conduct of D'Ellient commented on at length, with respect to his (Bouquet's) plantation. 27

July 19,
Philadelphia.

Alexander Lunan to the same. Daily alarms from Detroit and Fort Pitt; hopes they are without foundation. Respecting shoes sent. 30

July 20,
Philadelphia.

Andrew Fyguer to the same (in German). Concerning the discharge of Michael Goneck. 31

July 20,
Carlisle.

Hoops to the same. Has arrived from Fort Chiswell; movements of troops. Byrd was to make forced marches to draw the enemy off Grant, as it was reported that 2,000 Indians were sent to harass him, and that his rear guard had suffered loss from them. Has sent to-day 40 head of cattle, and will to-morrow send 70 sheep; a larger drove will follow. Returns sent. The daily consumption of Byrd's detachment, the garrisons on that communication, &c., does not exceed 1,200 rations. The North Carolina troops have not yet joined him. 33

July 21,
Fort Pitt.

The appointment of officers of the 1st Battalion Royal American Regiment. 36

There is a list similar to this showing the officers to be returned according to the musters of the 25th April, 1761. 35

July 22,
Detroit.

Captain Campbell to Bouquet. Sends report of Indian Council and recapitulates what took place at the conference with him. Has sent to

1761.

Sandusky for ammunition. Has been obliged to comply with the unreasonable demands of the Indians. Has sent for stores to Niagara; would send to Fort Pitt for cattle, but can get no Canadians who know the way, being chiefly accustomed to the water. Again interposes in favour of Lowry the sutler. Page 37

July 22,
Sewickley
Old Town.

Capt. Clapham to Bouquet. Contradicting the report of the stealing of horses by the Mingoes; they are no honestier than other Indians, but they do not use horses. 41

July 23,
Sandusky.

Capt. Callender to the same. Has made inquiry at Tuscarawas of Post's business among the Indians. He said his message was from God, to make them good Christians. Has sent his horse; Capt. Kill Beck will not deliver it up except to Capt. Campbell. The trouble he has had with the powder from bad kegs. 43

July 24,
Venango.

Lieut. Carre to the same. Sent letters by John Coyle, who lost them, an Indian picked them up and has them. Recapitulates their contents (about deserters &c). The conduct of Custologa in seizing rum and beating the man carrying it; he expresses sorrow and offers to pay for it, &c. 45

July 25,
Winchester.

Col. Geo. Mercer to the same. His continued ill health. Reports in detail the manner in which Donnycastle has behaved to Colonel Byrd in respect to a credit the latter had guaranteed for goods to be supplied. Three 12 oared boats with bateaux and canoes manned by French men were near the Cherokees from Fort Assumption. Offers of service, &c. 47

July 25,
Venango.

Thomas Hutchins to the same. Report in detail of what took place at Custologa's Town respecting the rum stolen (p 46) with the speeches delivered. 50

July 25,
Detroit.

Hamback to the same. Thanks for kindness. The arrangement he has made with Callender about another cargo for the Indian trade, and the proposal he has made to Mitchel about the old stock. 53

July 27,
Presqu'Isle.

Capt. Cochrane to the same. Recapitulates the contents of the previous letters. Asks leave to retain Fisher as corporal and will pay the difference out of his own pocket, as he is a good man. Where his sergeants are. Explains his reasons for seeking to renew acquaintance with Mr. Townshend, which appear to have been misunderstood. Congratulations on the taking of Belle Isle. His hopes for cattle, as the salt provisions are bad for the sick. The want of money to settle with his company. Shall send returns when those from Niagara arrive 55

July 27,
London.

J. Prevost to Andrew Fesch. That it is to the Messrs Guinand he is to apply, who paid the bills for the purchase of every thing in his hands. The more trouble he gives the more infamous will his conduct appear. 57

July 28,
New York.

Capt. Barnsley to Bouquet. Money left in Mortier's hands to meet bills drawn by Major Walters. Capt. Campbell has acknowledged receipt of £600 from Lowry and Callender. Respecting "gratification shoes" for different battalions. Would write Colonel Robertson to deliver his battalion's share of the shoes to Van Schaike to be forwarded to Niagara and Oswego. List of the regiments sent to encamp on Staten Island. Many desertions there and at Crown Point. News of the different officers, their promotions &c. Has applied for batt money, but is afraid the battalion will not get it. P. S. Pondicherry is certainly taken. There are forty or fifty transports in the North River, and it is expected there will be 80 in about a fortnight. Arrival of Monokton; he is appointed aide-de-camp to Lord Halifax. Duel between Demler and Schlosser at Niagara. 60

July 28,
Niagara.

Ensign Jehu Hay to the same. Asking to be recommended for promotion. 65

1761.
July 28,
Niagara. Ensign William Hay to Bouquet. That Major Walters persisted in having him tried by court martial, which is done, but the finding not yet promulgated. Has reason to believe he shall be acquitted. Page 66.
- July 29,
LeBoeuf. Lieut. Guy to the same. Respecting the forwarding of stores, &c. 68
- July 30,
Charlestown. Andrew Fesch to the same. Further about the ruin of his (Bouquet's) plantation (p. 27) with details of proceedings leading to this. 69
- July 30,
Niagara. Major Walters to the same. Arrival of Ensign Holmes, with clothing for this post, Detroit and Presqu'Isle. Sergeant's hats are come but no coats for them or the drummers. Sir W. Johnson and Major Gladwin are here on their way to Detroit with 300 light infantry. The hurry to get bateaux and provisions over the landing. Is sending off a detachment to Detroit which will leave a thin garrison. Returns sent. 72
- July 30,
Detroit. Capt. Campbell to the same. Arrival of Capt. Callender with the powder. The copy of the last Indian Council will show how well disposed they are at present; it will be their (our) own fault if they are not kept so, and thus secure the Northern Nations. The Wyandots have sent belts to Killbuck with messages to his nation not to listen to the bad advice of the Six Nations. Walters writes that Major Gladwin is coming to Detroit with 300 infantry, accompanied by Sir William Johnson; presumes, therefore, he will be relieved. Believes he shall be obliged to take part of the cows to give one to each Indian nation, as they expect every thing since the last affair. Thanks for forgiving Lowry, &c., &c. 73
- August 1,
Ligonier. Lieut. Baillie to the same. That Ourry has written that he has asked him (Baillie) to be sent to Bedford, to allow him (Ourry) to visit Bouquet. Shall remain till he hears the answer. 75
- August 2,
Niagara. Ensign Robert Holmes to the same. Has been appointed ensign in the battalion and ordered here with the clothing, &c., &c. 76
- August 3,
Philadelphia. Alexander Lunan to the same. Does not understand that Hamback had ordered Mr. Mitchel to pay the £100. His venture to Detroit will turn out poorly as the shirts were bad. 77
- August 3,
Presqu'Isle. Capt. Cochrane to Lieut. Gny. Sends description of a deserter, John Geddes, who has stolen a horse and besides has been guilty of stealing money; reward offered for his capture. A note attached to this to Carre. 78
- August 4,
Fort Burd. Sergeant McDonald to Bouquet. That he has sent three of his best men to stop every person coming from Fort Pitt. 79
- August 4,
Venango. Lieut. Carre to the same. Had given Paxton leave to go shooting, to return in two hours; he has taken all his necessaries. None of the deserters took their regimental arms. Hutchins' returns of the purchase of Ind an corn. Bateaux returned from Le Boeuf and will be sent back to-morrow with flour, &c. Cochrane's description of the deserter has been given to the Indians. 80
- August 7,
Winchester. Col. G Mercer to the same. Recommends Godfrey Humbert, a trader, to whom some one under Bouquet's command owes money and refuses to pay, thinking himself beyond the reach of the law. 82
- August 8,
Ligonier. Lieut. Blane to the same. Has had no better luck with the thieves than he (Bouquet). The offer by Linus to carry oats. Asks for a soldier carpenter for eight days. 84
- August 11,
Presqu'Isle. Capt. Cochrane to the same. Arrival of Corporal Fisher with clothing, flour, pork, &c. No clothes for the sergeants have arrived but hats and shoes. The good quality of the shoes and stockings. Lieut. Williamhouse (Williamox?) reports that he (Cochrane) is to build a fort at Sandusky. Troops with Sir William Johnson and Gladwin moving to Detroit. Gladwin to inspect the Western posts and Sir William to meet the Indians at Detroit; Croghan to be at Sandusky. The uncertainty has delayed getting provisions, of which he should like a year's

1761. supply here. The movements of the schooners. Surveys should be held on the provisions sent to avoid cheating, of which instances are given. Difficulty of sending returns. The desertion of John Geddes and its cause. Respecting corporal's pay to Fisher. Page 85
- August 12, John Clark to Bouquet. Respecting a seizure of beaver belonging to Fort Frederick. Ross for debts due to the deceased George Clark, for whom he is administrator; desires leave to settle the affair, for which all are willing, and that Ross should have his beavers. 90
- August 12, Lieut. Guy to the same. Has sent back Harman, a deserter who surrendered. Returns sent; provisions remaining here. 93
- August 15, Lieut Carre to the same. Deserter returned, brought in by an Indian who wants the reward paid in rum. Has only subsistence to the 28th. The men in want of shoes. Tooseon of Gordon's company sent down with a dislocated collar bone. Recommends that Gilfillan, a sutler, be allowed to return here. 96
- August 16, Capt Samuel Neilson to the same. Has arrived ill and is getting worse; Bedford. asks leave to go down on the chance of recovery, but will wait for Captain Curry's arrival if it is desired. Recommends his son. 98
- August 17, Capt. Campbell to the same. Arrival of Sir William Johnson and Detroit. Gladwin; part of the light infantry sent to take possession of the posts. Sir William Johnson is convinced that the Indian conspiracy was universal on this part of the continent; Amherst discredits it, but recommends they be kept short of powder. A block house ordered at Sandusky; cattle ordered from Fort Pitt to this place; both orders by Amherst. Has sent 8 barrels of pork but can give no flour, only one barrel being left and the inhabitants can only supply 10,000 or 12,000 pounds this year, the crop being bad. A sawyer and carpenter sent to Mr. Meyer. Four bateaux lost coming from Niagara, but the provisions saved. Returns sent. An officer wanted to take charge of the post of Oniatonon. Respecting clothing, furs, &c. 99
- August 19, Major Horatio Gates to Capt. Barnsley. No advertisement to be made New York. of the money lost at Pittsburgh; the General believes that the thieves may be otherwise discovered. How warrants are to be written out. Other payments, &c. 102
- August 20, Lieuts. Edward Jenkins and George McDougall, and Ensign John Niagara. Christie to Bouquet, stating the hardships to which they had been subjected at this post and asking his advice to secure a remedy. 104
- August 21, Ensign William Hay to the same. The answer of the General to the Niagara. finding of the court martial not yet received; hopes it may be favourable. 109
- August 21, Lieut. Edward Jenkins to the same. Thanks for the advice sent and Niagara. for other civilities (see p. 104). Is sorry to complain, but the major has treated the officers like his slaves, of which he gives instances, but he and the others shall do what they can to come to a good understanding with the major. Asks, should he be relieved, to be allowed to take his soldier servant with him. Major Gladwin, with 300 men, left this a fortnight ago for Detroit. Sir William Johnson with Ensigns Schlosser and Holmes left the Little Fort yesterday, taking 60 men of the regiment. 119
- August 22, Plumsted and Franks to the same. Have been prevented by the Philadelphia. General's arrival and sending provisions to Quebec, from coming to Fort Pitt and fear they cannot come this season. Have, therefore, sent Arthur Hamilton to the different posts to get returns of the provisions in them, to be laid before him (Bouquet) for advice. Remarks on the salt, flour, &c., and what may be wanted. Illness of Willing. Rumours of the preparations for an expedition which it is reported that Monckton is to

1761.

command, and that 10,000 men and 18 ships of the line are to rendezvous at Sandy Hook from England. These are only hear-say statements. Page 113

August 22,
Niagara.

Lieut. Schlosser to Bouquet (in French). Asks his advice on his intention to purchase a plantation on which to place his family, and to sell out so as to settle with them. Asks respecting the discharge of his servant; arrears of pay, &c. Sir William Johnson and Gladwin have taken men to garrison all the posts. Between the mouth of Lake Erie and the Falls, Mr. Theis has built two vessels on an island for service on Lakes Erie and Huron, and as far as Lake Superior; the one is a schooner, drawing seven feet loaded and carrying 6 guns, to be commanded by Lieut. Robertson of Montgomery's regiment; the other a sloop to carry 10 guns. Congratulates Bentinck on his promotion. 116

August 24,
Niagara.

Major Walters to the same. Sends list of detachment marched to reinforce Capt. Campbell at Niagara and monthly returns. Has been hurried this summer forwarding over the carrying place, boats, provisions, &c., for various detachments (named). Explains the cause of the complaints made by the officers (p. 104), the duty imposed on them being unavoidable. Has sent finding of court martial on William Hay to General Amherst. Remarks on reinforcement sent to Capt. Campbell. Sir William Johnson can report the state of disobedience among the officers of the regiment. Want of money. 121

August 24,
Philadelphia.

Capt. Barnsley to the same. His alarm at the robbery at Fort Pitt. If not found out there, is afraid the delinquents will not be discovered. Indicates the form of returns. Stores, books, and magazines forwarded. The report that Pauly has succeeded Duplessis was wrong. Major Tulleken writes from Louisbourg. Extract of a letter from Colonel Young as to the settlement of the regimental accounts. Respecting money matters and details of news. All the regiments are now at Staten Island but the 17th and 27th. 125

August 24,
Philadelphia.

Alexander Lunan to the same. Details of Willing's illness. 129

August 27,
Philadelphia.

Capt. Barnsley to the same. Sends £1,000 currency for the regiment. 131

August 29,
Philadelphia.

The same to the same. Is sorry no discovery has been made about the robbery. Recapitulates the subjects of letters lately sent. Has received the provision money for the officers from November 1760 to April 1761, and hopes to get the batt and forage money. 132

August 30,
Presqu'Isle.

Capt. Cochrane to the same. Corporal Moss returned with provisions from Niagara. Sends returns, and asks that the detachment of his men at Niagara be sent here. The men pretty healthy, but lately six were sick, and there was no medicine. Kettles wanted. Loss of bateaux for Niagara. 134

August 30,
Venango.

Lieut. Carre to the same. Flour and medicine received by Dennis Loghey, and Indian corn sent down by him. Sends returns of bateaux, stores, &c. 136

August 30,
Presqu'Isle.

Capt. Cochrane to the same. Announcing the flight of John Geddes, with the men's provisions, a horse, &c. At the end of the letter states the horse is since recovered. (There is apparently an error in the date of this letter. Geddes escaped on the 3rd. See letter to Guy, p. 78.) 137

August 31,
LeBoeuf.

Lieut. Guy to the same. Has forwarded packet from Capt. Cochrane, and also returns. 139

August —

Extract of letter from Mortier to John Powell, respecting over-payment to the Royal Americans. (The document is in a very ragged state.) 94

1761.
September 1,
Lake Sandusky. Lieut. Elias Meyer to Bouquet (in French). Arrival after a fatiguing and disagreeable march; the very bad roads. The country, which is described, is generally rich and good. Sudden death of a soldier; loss of a horse stolen by Indians; and of another left on the road, loss of flour, &c. Has been surveying for a good place east of the lake for building boats, but did not find one suitable owing to the nature of the shore. Has fixed on a spot for a block house, three miles from a village called by the Indians Canoutout, where all the traders unload and load their goods for Detroit; it is almost in the middle of Little Lake Sandusky. The small value of the sheep, weighing only 21 to 35 pounds and only 18 of them. Has bargained with an Indian for five deer for four sheep. Will leave to-morrow for Detroit to look after articles required. The two horses lost must be replaced, as it is impossible to bring the woodwork with those left. Page 140
- September 2,
Fort Cumberland. James Livingston to the same. Has neither meat nor forage in store, having been supplied with fresh provisions by purchase from the neighbours. Is glad that the money and papers have been recovered. Had, as ordered, stopped every suspected person. 144
- September 2,
Ligonier. Lieut. Blane to the same. Has sent 585 bags. Horses have passed by the Indian path, but hopes they will be stopped at Stony Creek or Bedford. Old Reekyuseang got very drunk and shot a bullock; he is to come to him (Bouquet) to apologise, and he has offered to pay for it. The bullock can be all used. 145
- September 3,
London. J. Calcraft to officer commanding. Sends invoice of clothing for the 1st battalion Royal Americans. 146
Invoice follows. 147
- September 4,
Charlestown. Sophia Fesch to Bouquet (in French). Favourable reports of the crops at Walnut Hill. Every thing is peaceable since Dellient left, but he boasts that he will get power from London to drive them (Mr. & Mrs. Fesch) out. The confusion he has created, &c. 148
- September 7,
Presqu'Isle. Capt. Cochrane to the same. Is sending to Venango for the medicines and has sent to Niagara for provisions. Has 12 men sick mostly with fever and ague. 151
- September 7,
Charlestown. A. Fesch to the same. Will comply with his desires if Austin, Laurens and Appleby grant a release. It is impossible to give redress for the wrongs he has suffered from Dellient. 10th. Is grateful for the instructions shown him by Austin & Co. Gives a long detail of all the attacks made on his credit by Dellient; the sale of negroes, &c. Will work night and day to bring things to a true light. 152
- September 7,
Charles own. Austin, Laurens and Appleby to the same, giving an account of their negotiations with Fesch about the affairs of the plantation. 155
- September 7,
Charlestown. Robert Skiddy to the same. Has sent his (Bouquet's) baggage. Respecting the proceedings against Fesch. Death of Capt. Lauder. 160
- September 8,
Venango. Lieut. Carre to the same. Has sent down a prisoner charged with being drunk on guard, &c. 162
- September 8,
Presqu'Isle. Capt. Cochrane to the same. In consequence of a fall from his horse, from the effects of which he is suffering, asks leave to go to the hospital at Oswego. 163
- September 9,
Bedford. Capt. Baillie to the same. Arrival of 48 bullocks. Thirty-four Pennsylvania recruits with two officers have arrived and been supplied with a firelock and two cartridges each. 165
- September 9,
New York. Capt. Sam Williamoz to the same (in French). Sends a letter brought by Lieut. Vanninger, who has gone to Albany with a letter from the minister to have him reinstated in his rank in the army; doubts if Amherst will remove the difficulties in the way of this. Prevost, who has been in favour at court, is returning with his family, having had

1761.

every thing settled advantageously for himself and officers. He (Williamoz) has retired and sails in a merchant ship for London. Page 166

- September 10, Niagara. Ensign William Hay to Bouquet. Has been acquitted, but the major has not yet spoken to him; will endeavour to give him no reason for displeasre. Asks to be sent to another post. Has entirely reformed. 168
- September 11, Ligonier. Lieut. Blane to the same. His proposed arrangements for sending up the powder. 171
- September 13, New York. Capt. George Etherington to the same. Sends a letter which he found here on arrival. Everything at a stand; a packet expected will no doubt tell all, but it is believed there will be nothing done. 172
- September 14, Ligonier. Lieut. Blane to the same. Has let the Pennsylvanians go on the representation of the Ensign in command. Asks orders now about an escort for the powder. The deficiency in flour from the depreddations of rats. Cannot grant a certificate as he has no proof of the original weight of the bags. 173
- September 14, Bedford. Lieut. Baillie to the same. Has been shocked at the news in Ourry's letter. Dr. Clarkson should have gone and left directions for the wounded man. Can only get to the Shawanese cabins to-night. Flour &c., sent to Fort Pitt. 175
- September 15, Philadelphia. Alexander Lunan to the same. Mitchel will pay the £100 for Hamback. The adventure will turn out a poor one, &c., &c. 176
- September 17, Charlestown. Andrew Fesch to the same. Gives the substance of previous letters. 177
- September 18, Detroit. James McDonald to the same. Has received his commission and a dictionary sent. Desires to return thanks for kindness &c. Regimental news. 181
- September 24, Philadelphia. Lieut. Dow to the same. Sends a letter he found in the post office from Lord Amherst. No orders yet about clothing. The packet arrived; peace generally talked of. A Carolina paper contains two most scandalous letters between Col. Grant and Middleton, but he could not get a copy. 182
- September 24, Philadelphia. Lunan to Bouquet. About letters, friends &c. Is glad he made so good a bargain with the lands in Maryland. Believes Captain Barnsley will settle the regimental accounts with him. 183
- September 24, Philadelphia. John Nelson to the same. Cannot meet the orders drawn on him without a warrant. 185
- September 24, Philadelphia. Dr. Lau. McLean to the same. Is more grieved than surprized at the suicide of Milne. Respecting his will and effects. The report of peace begins to lose ground again, although it seems from the letter of Sir Henry Frankland that it is probable. News of friends. 186
- September 24, Philadelphia. Capt. Annesley to the same. Thanks for being allowed to stay. Is uneasy that no discovery has been made of the robbers. Coulton and Hand in prison for desertion; his strong suspicions of the former. Suggests the offer of a reward. Shall pay for the camp equipage when he is able to be out, as he has been very sick. Walters playing the old soldier; the detachments are all quarrelling. Social gossip. All is yet dark about the expedition, but there is talk of peace. It is reported that Byrd intends to resign. Quarrel between Colonels Grant and Middleton. Respecting accounts. 189
- September 24, Lake Sandusky. Lieut. Elias Meyer to the same (in French). Had returned from Detroit on the 17th. Campbell could only give him a carpenter and sawyer and eight barrels of pork, having no flour, as he had four other posts to supply and nothing to do with Sandusky, according to Amherst's orders. Has lost four sheep driven into the woods by village dogs and three devoured by wolves. The number of carpenters here; is promised two more. If he had one or two masons and provisions he

1761

could finish the block house in less than two months. Asks for assistance for this post, which Amherst says is only to keep the Canadians in check. Horse stolen by the Indians recovered. The detachment healthy; at Detroit however it is the reverse. Major Gladwin and Ensign Holmes were near death and 17 Royal Americans ill of fever. Could get venison from the Indians if they had some trifles to give them. Sir William Johnson his son and Lieut. arrived from Detroit and gone to the Grand Lake. How flour should be sent, etc. P. S. Flour arrived for Philip Boyle which he has put in the King's store. Page 193

- September 21, Venango. Lieut Carre to Bouquet. Letters received and forwarded. Sergeant Kirkman arrived with 6 beeves and 20 sheep; 15 shall be sent to LeBoeuf. Returns, money matters, &c. 197
- September 27, Presq' Isle. Capt. Cochrane to the same. His reason for going for medical treatment to Dr. Barr at Oswego. Delay of corporal Fisher, who has been sent for provisions. Arrangements of the post during his (Cochrane's) absence. Court martial on Geddes received; shall give him the full punishment. Congratulations on Keppel's success. The suicide of Milne. It is extraordinary there is no discovery of the robbery. Medicine arrived. A visit from Custologa, who attended prayers, &c. 198
- September 29, Bedford. Arthur Hamilton to the same. Sends returns of flour, &c, on this communication. 204
- September 30, Ligonier. Lieut Blane to the same. Is sorry for the trouble about the returns. Asks that Lieut. Gordon may come to the post, so that he (Blane) may go to Fort Pitt. 205
- September 30 Lake Sandusky. Lieut Meyer to the same (in French). Sends word by traders going down. Has reduced the men's allowance to half a pound of bread a day; will send a canoe to-morrow to Detroit to try to get flour. The extravagant demand of Indians for horses; will try to get some from the traders. Could get venison at a reasonable price if he had an interpreter. Has made a bargain with a certain Mohican, called John, a good hunter. Montour, left here by Croghan, as an interpreter, is tired of the post. A Sandusky Indian returned from South Carolina reports having had a fight with Cherokees, and after losing four killed and two taken prisoners had to retreat. 206
- October 1, Le Boeuf. Ensign Dow to the same. Had arrived here on the 27th to relieve Guy. Has sent a bateau with Sergeant McIntosh to Fort Pitt, to bring up stores. 209
- October 1, Presq' Isle. Lieutenant Guy to the same. Has sent returns of stores at LeBoeuf. Has come here by order of Captain Cochrane, Dow having relieved him. Respecting provisions from Niagara. The delay of Jenkins owing to the bad state of the whale boat. Arrival of Sir William Johnson, who has left for Albany. Certificate of Langdale's good conduct. 210
- October 1, Pittsburgh. Protest of John Langdale against the acts of James Kenny and Josiah Davenport in the provincial store of Pennsylvania during his absence. 211
- Remarks on the foregoing by Kenny and Davenport. 215
- October 3, Maryland. Captain Evan Shelby to Bouquet. Has applied to the Assembly of Pennsylvania for his services and those of the Volunteers during the campaign of 1758, and asks for a certificate that neither he nor the men had been paid by the General. A postscript dated Fort Loudoun, the 7th October, says he has sent 99 head of cattle, in terms of a contract with Plumsted and Franks. 223
- October 4, Ligonier. Lieutenant Blane to the same. Is he to send the powder to Fort Pitt that is expected from Bedford? Danger seems to be hanging over them again. 224

1761.
October 5,
Detroit. Captain Campbell to Captain Meyer. Bullocks arrived. Had been promised no provisions, but sent two barrels of pork and one of flour. The dearth of provisions with himself and at Niagara. Should write to Bouquet for provisions, &c., &c. Page 225
- October 5,
Fort Pitt. Bouquet to Andrew Fesch. Respecting the settlement of the affairs of the plantation, which must be done without quibbles or evasions. 227
Letter to Austin, Laurens, and Appleby on the same subject. 230
- October 10,
Philadelphia. Captain Barnsley to Bouquet. Bills received, which Mr. Nelson will not accept till he has orders from New York. Letters sent off; all news kept secret here. 233
- October 11,
Niagara. Major Walters to the same. Cochrane has been ordered to Oswego for medical advice. Schlosser ordered to take command at Presqu'Isle. Etherington was at Staten Island and has been ordered to settle his accounts; hopes he will be back soon. Officers wanted by Captain Campbell for detached posts. His officers are convinced they were wrong, so shall say nothing more about their conduct (pp. 104, 110, 121). Regimental accounts, &c. 234
- October 11,
Venango. Lieutenant Carre to the same. Has ordered flour to be sent from Le Bœuf to Sandusky. Loss of one of the sheep sent to Le Bœuf. Money received for bateau accounts. 237
- October 12,
Detroit. Captain Campbell to the same. Has sent returns of detachments, &c. Distress for provisions, as the country can supply but little this year, and the General has disapproved of Cochrane sending ammunition here, which was intended for the posts of the Miamis, St. Joseph's and Ouia-tonon; is waiting the arrival of an officer to send the garrison to Ouia-tonon. Return of a detachment from Michillimakinak, which arrived just in time to save the traders from the Indians. Has got peaceable possession of the fort, but if the Indians knew General Amherst's intention to keep them short of powder it would be impossible to keep them quiet. Balfour with a detachment has gone to the posts of the Bay and St. Joseph's. Gladwin has recovered. Lieutenant Butler of the rangers has sent a detachment to Sandusky. Ammunition and money wanted. 238
- October 12,
Lake Sandusky. Lieut. Meyer to the same (in French). Has received two barrels of pork and one of flour from Detroit which, small as it is, is a help. His men are willing, but cannot do their duty as vigorously as they should owing to the short allowance. The two carpenters are at last arrived and he hopes to finish the block house in a month. Materials for and progress of other buildings. Has been obliged to kill one of the oxen; is thankful there is no sickness. Indians have brought only a small quantity of venison, sufficient for about three days consumption. Has pressed a horse for the service, but will discharge it as quickly as possible. 241
- October 19,
Fort Bard. Sergeant McDonald to the same. There will be about 1,000 bushels of corn, besides that for the people's own use. Some salt can be sent from the store. 244
- October 21,
Carlisle. Hoops to the same. His dispute with Plumsted and Franks. It is reported that Monckton is to command the expedition but the reports of its destination are contradictory and it is thought there will be a peace before the expedition can sail. 245
- October 22,
Lake Sandusky. Lieut. Meyer to the same (in French). Three men have brought word that Lieut. Jenkins lost his canoe in a storm 80 miles from here. Has sent provisions to assist him on his way to Detroit. Had himself gone with a carpenter to repair the boat, so that Lieut. Jenkins could proceed. Escape of two deserters, one of whom he is not sorry for, as he was a thief; the other was a sawyer, but a man has been found that can take his place. If there had been an interpreter, he could have got the

1761.

Indians to catch the deserters; the detachment will suffer from this want, as the services of the Indians are needed. The fortunate arrival of an interpreter by whose help he had been able to buy corn. Will only leave the post at the last extremity. It is not only the ordinary rations, but parties arriving whom he must supply, and of whom he furnishes a list. Has sent half way to Fort Pitt to look out for provisions which he hopes are on the way. The men beginning to fall sick. The block house getting on as well as can be done with the men left in health. Has this morning settled about a supply of venison and Indian corn.

Page 248

- October 24,
Presqu'Isle. Capt. Schlosser to Bouquet. His arrival to replace Cochrane, gone to Oswego for his health, Guy has returned to his post at LeBœuf; Dew has fallen ill there and been brought to Presqu'Isle. Sends returns. The scarcity of provisions at the posts, the supply being stopped from Albany in expectation of the arrival of provisions by the St. Lawrence. The supply from Albany has been resumed but slowly. His attempts to supply the posts. P.S. The bad condition of the lodgings for himself and the officers. The cost of repairs and the want of money. 251
- October 25,
Fort Burd. Sergeant McDonald to the same. The inroads of white hunters, who, the Indians complain, kill all their game. They keep so far from the fort that they cannot be caught. 254
- October 27,
Charlestown. Andrew Fitch to the same. His situation and the malice of Delliest towards him, &c. 255
- October 28,
Carlisle. Capt. Callender to the same. Asks leave for his people to pass to Detroit with their horses, as they are not to sell goods by the way, and requests help to ferry them over the Alleghany, as well as an order to the officer at Sandusky to furnish bateaux for their goods. 259
- November 2,
Presqu'Isle. Capt. Schlosser to the same. That he has sent two boxes to LeBœuf, to be forwarded. 260
- November 2,
New York. James Pitcher, commissary to the same. Explains why he could not visit Fort Pitt to muster the troops in person. 261
- November 3,
Philadelphia. Plumated and Franks to the same. Respecting the supply of live cattle. 263
- November 3,
LeBœuf. Lieut. Guy to the same. Has come back to LeBœuf. Respecting garrison returns; want of kettles, blankets &c. The blankets sent last year were old, instead of the new ones asked for. The bad state of the ammunition. 266
- November 4,
Detroit. Lieut. Edward Jenkins to the same. Has written to the Major (Walters) apologising (see p. 104) and acknowledging that he and the others were in the wrong. Is going off to Oniatonon, called on the map Wawiachtas, &c., &c. 263
- November 5,
Venango. Lieut. Carre to the same. Sends monthly returns. Has detained two drivers and eight horses loaded with Indian goods, they having no pass. 270
- November 5,
Venango. Same to the same. That the Indians have been uniformly well treated. One who was struck by a soldier had begged that the man who did so should be pardoned. Is not aware of any ill-treatment by the traders, but has recommended them at their peril to give no cause of complaint. 271
- November 7,
Venango. Same to the same. Has sent down two sick men and some articles. 272
- November 8,
Lake Sandusky. Lieut. Meyer to the same (in French). Sent by a servant of Croghan left here ill. Arrival of flour and some powder; more of the latter expected. The block house will be covered to-morrow, hopes to have it finished in a fortnight. The two deserters are at Wikenjohn's town with John, a Mohican, who has promised to bring them here; would

1761.

rather they were taken to Pittsburgh. Respecting the supply of Indian corn, venison, &c. His doubts if the garrison can remain this winter unless provisions are sent; he is purchasing all the venison and corn he can get. There are three oxen and nearly 460 pounds of salt meat left. The horses are in a miserably condition. There are many of the people ill with fever, flux and colds. Page 237

November 8, Capt. Campbell to Bouquet. Details of the want of provisions. 277
Detroit. Lieut. Jenkins sent to Oniatonon with 20 men and four months' provisions. Expects Balfour with the light infantry from the Bay. Sends letter for Amherst; recommends Lieut. Butler, the bearer; is in want of ammunition. 277

November 8, Dr. Anthony to the same. His want of medicine, &c. 279
Detroit.

November 9, Plumsted and Franks to the same. Information of what they had done respecting coopers, butchers and salt for packing provisions. 281
Philadelphia.

November 15, Lieut. Meyer to the same (in French). Pay for the detachment has been received. The two barrels of powder short sent by the first brigade have been delivered; discrepancies in weight. The progress of mason work on the buildings, and enumerates the materials for finishing inside. Requires only salt at present. Is anxious to know how he is to be employed when the post is finished. Four days of rain have made half his people ill. 284
Lake Sandusky.

November 15, Ensign William Hay to the same. That he and Jehu Hay are the two oldest ensigns in the Roya American regiment, hopes, in event of any vacancies, that he will recommend them. Is now on good terms with Major Walters. 287
Niagara.

November 15, Captain Barnsley to the same. Has sent a certificate to General Monckton that £1687 10. Penn. currency had been sent to him (Bouquet) for the subsistence of the battalion. Respecting clothing, camp equipage, &c. Various articles sent. Bills drawn and presented have been paid. The troops are embarking for the expedition to be commanded by Monckton; there is no chance for poor Dow getting on it, in fact it is suspected there will be no expedition, everything goes on so slowly, &c., &c. 289
Philadelphia.

November 17, Affidavit of Jacob Barge, that he has not, nor does he know of, any money, &c., belonging to Francis Long, late a servant with Colonel Bouquet. 293
Philadelphia.

November 20, Lieut. Carre to Bouquet. Had drawn a bill for the subsistence of Guy's detachment and sent the money to LeBoeuf. Is afraid that Custologa's people will not keep their engagement to supply venison. 294
Venango.

November 21, Major Walters to the same. Sends returns; movements of officers. Bad condition of the shoes, many not fellows and the leather rotten. Scarcity of provisions this summer; hopes for a better supply next year. 295
Niagara.

November 22, Capt. Barnsley to the same. The honest character of Barge (p. 295), respecting the robbery by Long, Barge will detain anything suspicious that may arrive. Will send money by the first opportunity. The fleet to sail with the first fair wind and to rendez-vous at Barbadoes. The master of a transport just arrived reports that there will certainly be a Spanish war and that the King of Prussia had been obliged to burn his camp and make a hasty retreat. 297
Philadelphia.

November 22, Sergeant McDonald to the same. Thanks for leave to go down. Has sent by the bateaux as ordered. There is no hay made here. Asks that orders be sent to forward the paymaster's chest, which he cannot get done. 300
Fort Burd.

November 24, Lieut. Blane to the same. Sends returns. Sends Gordon back worse than when he came up, &c., &c. 302
Ligonier.

1761.
November 26, Venango. Lient Carre to Bouquet. Sends returns. Custologa has not spoken to his young men about bringing meat, but he had bought some from Indians coming accidentally and has no doubt of an almost constant supply during the hunting season. Page 303
- November 28, Detroit. Capt. Campbell to the same. The powder came at a seasonable time, as there was none in store. Is disappointed at not receiving money from Barnsley. The vessel's arrival despaired of; the only hope is on three bateaux from Niagara, so that there will be the same difficulty in supporting troops as there was last winter. The swivel which arrived in May shall be sent to Presqu'Isle if wanted. Arrival of Balfour from St. Joseph's. Brehm will give an account of the long voyage. Is sorry he could not supply Sandusky. Indians off to their hunting; believes that if supplied with ammunition they would do less mischief, and hopes that the General will change his mind on this subject. 304
- November 29, Ligonier. Lient Blane to the same. Arrival of Hamilton, late commissary at Pittsburgh; letters he brought are forwarded by express. Many of the Pennsylvanians have come to-night and many more are at Two Mile Run; is afraid he cannot stop them. They will remain here till answer comes, if in four days, which they say is entirely to oblige him. 306
- November 29, Halifax. Rudolph Bentinck to the same. Had hoped to get to Philadelphia, but General Amherst's orders to Col. Foster had stopped that. Has taken a house like the other captains, which is best for him as drinking to excess prevails. Has taken a young lieutenant to live with him and must return the hospitality of the inhabitants, although he would prefer to study his profession. His recurrent sore throat; has been recommended to go to Europe for surgical advice &c., &c. 307
- November 29, Fort Sandusky. Lient. Meyer to the same (in French). Letters, but not the flour, have arrived. Has sent to bring up the flour, the horses carrying it being unable to come further. The necessity of paying the price for the venison; if too high he will pay the difference himself. The Indians refuse to take powder without lead. Could not fix the time of finishing the work, as that depends on so many contingencies; the block house palisades &c., are now finished. Has sent to Detroit the powder and a grenadier attacked with small pox; the drummer and another man sick. 307
- December 2, Fort Sandusky. Same to the same (in French). Thirty-six horses with flour arrived and will be sent to Pittsburg. Was obliged to send help to bring the loads forward. Arrangements with drivers, &c. 310
- December 4, Fort Burd. Sergeant McDonald to the same. Has sent by the bateaux the rest of the blades and the corn raised by the bearer, &c.; to say what is to be paid but to give him no money, as he may defraud the rest. The amount of corn raised is not so much as he expected and will not be ready to shell for two months. Salt is all gone, will lay in corn before he leaves. Recommends John Brown. 313
- December 4, Ligonier. Arthur Hamilton to the same. His arrival, reports on the cattle; stores &c. 315
- December 5, Philadelphia. Lient. Dow to the same. Had sent the invoices and receipts for clothing; now sends additional invoices and receipts. Wishes to be ordered up, as he is idle here. Has purchased an ensigncy for his son in the 2^dth for £.50 sterling. 317
- December 5, Philadelphia. Capt. Barnsley to the same. General Amherst has ordered all officers to join their respective regiments. Respecting accounts, &c. 319
- December 7, Presqu'Isle. A. van Hulst to the same (in French). Asks his advice about applying for an appointment for which he has been recommended. 321
- December 7, Presqu'Isle. Capt. Schlosser to the same. Reason for delay in sending returns. Wreck of a bateau, but the men and provisions saved, all but one barrel.

1761.

of flour. The weather continuing bad, does not know when he can send for the saved provisions, especially owing to the bad condition of the boats he has. Dow and Van Hulst are better. Garden seeds wanted. The expedition under Monckton has sailed for Martinico. Regimental changes and promotions. Page 323

December 7, Presqu'Isle. Schlosser to Bouquet (in French). Consulting him about his proposal to settle on a plantation (p. 116). Sir William Johnson's advice, &c. Repeats the story of the wreck of the bateau with flour, in case Bouquet has left Fort Pitt before the official letter (p. 323) reaches. 326

December 9, Sandusky. Lieut. Meyer to the same (in French). What rations are required daily; three cattle had to be killed for want of pasture. No venison brought since the 20th of last month. No reliance to be placed on the Indians. 330

December 9, Philadelphia. Hoops to the same. Sends a newspaper and invites him to his house should he come to the city this winter. 332

December 9, Philadelphia. Capt. Barnsley to the same. Sends £320 Penn. currency, which may do till he can bring more, if his old wound, which has broken out, allow him to come. Cochrane, now in New York, reports the surrender and pardon of a deserter. 333

December 10, Le Boruf. Lieut. Guy to the same. Sends returns by Michael Long, to whom he has given leave to go down on account of his good behaviour. Kettles and blankets wanted. 334

December 10, Philadelphia. Plumsted and Franks to the same. Respecting the packing of provisions and money matters. 335

December 12, Whitehall. Earl of Egremont to Governor Sharpe. That in order to meet the insincerity and chicanery of the Court of Versailles and to secure a suitable peace, the King desires that he use his best endeavours with the Council and Assembly of his Province to raise such number of men, to be formed into regiments, as their situation, &c., may allow, to be ready for service in such part of America as the Commander in chief may direct, the provincial officers to have rank according to His Majesty's warrant of 30th December, 1757. These troops to be armed and fed the same as the other forces, and Parliament will be applied to for a compensation for the expense of clothing and pay. The same communication has been made to Pennsylvania and the Northern Governments. 336

December 13, Ligonier. Arthur Hamilton to Bouquet. Respecting cattle, &c., received. 341

December 23, New York. James Leighton to Capt. Barnsley. Colonel Prevost has succeeded in obtaining £737 from the non effective funds to be divided among the officers of his battalion. Colonel Young proposes to take steps to have the privilege extended to the other battalions. 342

December 24, Presqu'Isle. Capt. Schlosser to the same. Sends returns. Has succeeded in getting up the provisions saved from the wreck of the bateau. Repeats his request for garden seed. Nails wanted, &c. 345

December 24, Venango. Lieut. Carre to the same. The bad weather and deep snow have prevented him from getting supplies of venison. 344

December —, Ligonier. Lieut. Blane to the same. The Pennsylvanians passing, who had arms (but these were few) made no difficulty about giving them up; has heard of no disorders committed by them. Has given a pass to the Pennsylvanians in his garrison. Has ordered the surplus bullocks to Fort Pitt. Presumes a reinforcement will be sent and will remain, but the post is too weak to secure respect. 312

No date. Memorandum of some trunks, &c., expected. 352

Lieut. Blane to Bouquet. Thanks for the list of promotions and the hope of being speedily relieved. Difficulty of sending oats, &c., &c. 350

LETTERS TO COLONEL BOUQUET. VOL. VI, PART I.

1762.

www.libtool.com.cn

A. 18-1.

B. M., 21648.

1762.
January 7,
Ft. Obiswell. Colonel Adam Stephen to Bouquet. Has been ordered to march down the Virginians to be disbanded; the men at Forts Burd and Cumberland to be relieved, that they may march to Winchester, to be paid and discharged. After a long campaign matters are firmly settled in this quarter. The submission of the Cherokees with details of their behaviour, &c. The good conduct of the Northern Indians; they are but indifferent warriors; their pass was signed by George Croghan. Has about 40 stall-fed oxen on his farm; would be glad to know when they are wanted at Fort Pitt. Page 1
- January 17,
Philadelphia. Captain Young to the same. The orders he received as to paying men remaining over their time. Polite messages, &c. 3
- January 17,
Williamsburg. Governor Fauquier to the same. The uneasiness caused by his proclamation, as it seems to tend to prevent the resettling of lands taken up by patent, but abandoned during the late disturbances. There are many who made settlements on the Monongahela, Green Bryer, and New River to the westward of the Alleghanies and on the waters of the Ohio. Asks for a copy of his instructions to issue the proclamation, and if the intention is to ascertain the identity of the persons settling under the claim of a patent from the Crown, so as to prevent vagabonds from taking possession of the just rights of others. Has received orders to make no grants on the Ohio till His Majesty's pleasure be known. Alarm as to the clause relating to courts martial. 5
- January 18,
Philadelphia. Alexander Lunan to the same. Giving references to the Willing family, entirely of a private nature. 8
- January 21,
Carlisle. Hoops to the same. Respecting the settlement of provision accounts. No word from Monckton's expedition except by a young man from Monte Cristo, who said that there were bets by the French about Martinnico being captured. 11
- January 22,
Philadelphia. Plumsted and Franks to the same. Explaining previous letters respecting the payment of bills drawn on account of the Crown for disbursements formerly paid by the Quarter Masters and Engineers. Are thankful for the favourable reports sent and that so many of their stray cattle have been picked up. Discrepancy in the weight of hogs unaccountable. 12
- [A letter of this date is in vol. A. 19-1, p. 29, from George Croghan, placed among letters of 1763 by mistake.]
- January 24,
Presqu'Isle. Capt. Schlosser to Bouquet. Returns sent; the deficiency in pork delivered; recommends a survey. Bakers have been paid. Intrenchments have fallen down with the frost; what is he to do? Is impatient for news. The sufferings of the garrison; no fresh meat and the pork so bad that neither officers nor men can eat it. He himself has lived on flour and pea soup, with only a little bear's meat at Christmas; the bread is tolerably good. 15
- January 24,
Philadelphia. Capt. Barnsley to the same. Entirely relating to accounts, except a reference to brevet promotions. 18
- January 27,
Ligonier. Lieut. Blane to the same. Has not pressed the bearer's horses to carry salt, but it threatened rain and he has promised to carry it from choice. 20
- January 28,
Germantown. George Lache to the same (in French). Had delivered powder to de Haas. The stores have been flooded with water, &c. 21

1762.
 January 20,
 Philadelphia Alexander Lunan to Bouquet. Social gossip. Page 22
- January 20,
 Fort Cumberland. James Livingston to the same. Has received orders for the Virginian troops to march down; what is he to do with the stores at the crossing? The Potomac is to be made navigable by subscription of Virginia and Maryland. Sends returns. 23
- January 20,
 Ligonier. Lieut. Blane to the same. Forwards parcel brought by express from Bedford, the man had lost his horse between the Alleghany and Stony Creek and the packet has been brought on foot from there. 24
- February 2,
 Venango. Lieut. Carre to the same. Shall send a barrel of powder to Le Boeuf. Patterson, the trader, asks leave to carry his furs down in spring by the old path, &c. 25
- February 6,
 Philadelphia. Lieut. Dow to the same. Has purchased garden seeds. The flour has been got as far as the season will admit of. Papers, &c., sent. Social news. Has purchased a commission for his son. Remains of last year's clothing sent for, &c. 29
- February 8,
 Boston. Mrs. Mary Billings to the same. That she has had her pension granted since the day of her husband's death. Thanks for his kindness. 26
- February 8,
 Fort Pitt. Bouquet to Governor Fauquier. Explains the object of the proclamation is to prevent people from hunting or settling west of the Alleghany hills without leave from the General or the Governor of their respective Provinces. It is not to invalidate any just rights, but to prevent vagabonds, under pretense of hunting, &c., from making settlements on Indian lands contrary to the treaty made at Easton and since confirmed. When these people were driven off the Indians complained of new comers, against whom the proclamation was issued, and two days ago the Six Nations complained that ten new huts were built in the woods and land cleared for corn, and had sent to inquire. People living out of the settlements and beyond civil law can be tried by court martial for offences, but this cannot affect settlements within the known limits of a Province, these being subject to its jurisdiction. With regard to persons holding patents under the Crown for lands on the Ohio, he shall afford them every protection on receiving the necessary information from him (Fauquier). 27
- February 10,
 Detroit. Capt. Campbell to Bouquet. Had sent off an express, who lost the letters in a river near Sandusky. Has received no flour from Niagara; sent three bateaux which are frozen up half way. Received two barrels powder and some balls. The difficulty of subsisting his garrison for want of flour. The necessity of supplying the posts with ammunition; the alarm that would be felt by the Indians were they to know they were to be restricted of a supply. Forwards letters. Want of money. Report from Sandusky that the Shawanese had brought scalps from Virginia and that the Six Nations were still contriving mischief. Respecting furs. The society here is increased by the arrival of Chevalier Daverret (?) a young English Lord, who after making the tour of Europe is spending the winter here and will visit the Lakes in spring, and by that of Lieut. McDougall from Niagara, &c. 30
- February 13,
 Fort Sarr. Sergeant McDonald to the same. Shall set out for Winchester as ordered; it is hurtful to his affairs, but hopes he (Bouquet) will explain the cause of his absence from the regiment. 34
- February 14,
 Fort Cumberland. James Livingston to the same. Respecting the powder and how some can be sent to the Red Stone. Cannot detect the hunters, as they keep away from the forts on account of the proclamation, and cross the river six or eight miles from the garrison. The expense for the river cannot be estimated till the survey is made. A brass gun was found at a post called Pearsal's fort on the south branch, with a quantity of grape shot,

1762.

and four swivels said to belong to the Ohio Company. A cannon, supposed to be Spanish, was at this post when Braddock came here; the gun is fit for service. Page 35

- February 16, Philadelphia. John Read to Bouquet. That returns are to be made monthly for which he had not received the information from Fort Pitt &c. 37
- February 17, Philadelphia. Plumsted and Franks to the same. Thanks for assistance to Mr. Ormsby in the late inundation at Fort Pitt. Send copy of the agreement made for the supply of salt. Arrangements about flour. Report of Monckton landing at Martinico with little opposition. Report of Prussian successes. A requisition has been made to the Assembly, for 1800 men, but it is doubtful if they will be granted, or if they are whether they can be of service this year. 41
- February 18, Philadelphia. Alexander Lunan to the same. Social gossip. Asks that Capt Barasley be requested to send down bills for goods furnished. Accounts settled, &c. 43
- February 18, Fort Royal Martinico. Capt. Harry Gordon to the same. Circumstantial account of the taking of Martinico from the 16th of January, when a landing was effected to the signing of the capitulation, on the 13th of February, and the formal taking possession at St Pierre on the 14th. The loss has been 500 men killed, wounded and missing. The enemy admit a loss of three times that number. The health of the troops is good on the whole, but the Dominican troops are in a terrible state, those that remain. 44
- February 19, Ft. Sandusky. Ensign Pauly to the same. Sends abstracts of provisions; venison damaged in spite of the utmost care. Some discontent among the Indians about the block house; he does not think it will come to any thing, but asks instructions how he is to behave to the Indians should they be insolent. The detachment is well; has drawn money for their pay. 53
- February 20, Ligonier. Arthur Hamilton to the same. Assures him that the letters sent in his care had been forwarded. 54
- February 24, New York. James Pitcher to the same. Friendly message. There is a talk of 10,000 men being kept up in America, but thinks it only conjecture, &c., &c. 55
- February 24, Presqu'isle. Capt. Schlosser to the same. Gives an account of his work on the buildings at the post. Had reported the fall of part of the intrenchments, and has no doubt the rest will follow on the first thaw. Provisions scarce; the pork is extremely bad, no venison nor fish and no relief to expect unless brought by the raven as in the case of Elias [Elijah]. 57
- February 25, War Office. Lord Townshend to the same. That he has been promoted to the rank of colonel by brevet. 62
- February 26, LeBoeuf. Lieut. Guy to the same. Only one barrel of beef left; shall send the bateau when the creek opens and allow the men flour for beef. Returns sent. 63
- February 27, Ligonier. Arthur Hamilton to the same. Sends returns, with remarks. Had got no receipts for rations, so that he will have to lose them unless Bouquet interfere. 64
- March 3, Philadelphia. Plumsted and Franks to the same. Hope for letters, &c. The report of Prussian successes was fictitious. Paid a bill of Hamilton for salt, &c., &c. 66
- March 3, Philadelphia. Hoops to the same. Money matters. Good news from Monckton. Respecting his tan works. 68
- March 5, Philadelphia. Plumsted and Franks to the same. Their arrangements about beef, &c. Report that a Spanish fleet has taken several ships and that all British ships had been detained in their ports. 69
- March 6, Ligonier. Lieut. Blane to the same. That the loss of provisions is owing to the destruction by vermin. Respecting bateaux and canoes. Shall observe orders about the Indian traders, but requires a list of those allowed. 71

1762.
March 9,
Ligonier. Arthur Hamilton to Bouquet. Shall send returns. Has obtained a certificate of the destruction of provisions by vermin. Money matters. Page 73
- March 12,
Williamsburg. Governor Fauquier to the same. The Council, to whom he has communicated his letter, (p. 27) respecting the proclamation against unauthorised settlers, has expressed great satisfaction. Persons who can make any right appear, it must be to lands far to the south of Fort Pitt, it never having been ascertained whether the lands about that Fort are in this Colony or in Pennsylvania, although he believes that the next packet will bring instructions for the absolute prohibition of all future settlements of lands not regularly ceded to the King's subjects by the Indians, which is to be by treaty, not by private purchase. 75
- March 12,
Ligonier. Lieut. Blane to the same. Will carry out the orders (about the liquor traffic?) but it is impossible to prevent the traders passing, unless a severe example be made. Sends down the first victim. Is the order positively to prevent rum from being sold to any one whatever? 77
- March 14,
Ligonier. Same to the same. Sends letters. Is he to allow an Indian trade on Croghan's licence? 78
- March 15,
Philadelphia. H. Vassel to the same (in French). Thanks for kindness. Has been able by his trade in the Islands to make enough to retire on to Switzerland, and regards him and Haldimand as the authors of his good fortune. The letter is purely personal. 79
- March 16,
Pt. Sandusky. Ensign Pauli to the same. Reports that the Indians in the neighbourhood had been uneasy about the blockhouse, but there was no danger from them, as they had gone to war to the South. One of them had advised the Wyandots (Wyandots) not to fight the Southern Indians as the Six Nations had joined them to strike the English and wished the Wyandots to join also. One of the Wyandots came back to report this to the English commanders. The messengers reported that they had seen with the Six Nations scalps and horses taken from the English, and that they were fitting out another party of 200 men for the same purpose. The Shawane-o had also brought in scalps and horses. The meat turns out very bad, and venison is difficult to be had as the Indians do not think it worth their while to bring it in. 81
- March 17,
Miami. Ensign Holmes to the same. Reports the state of the stores. The Indians do not bring as much meat as is required and are constantly tormenting him for presents. There being no sutler, Mr. Crawford has offered to supply the place of one; he has been allowed to sell provided he get his (Bouquet's) leave. 83
- March 20,
Philadelphia. Lieut. Dow to the same. Has seen the bales and casks, at New York, but could not open them, and Amherst will give no orders as to removing them to Philadelphia, although he hints they would be best there; will wait till he receive his (Bouquet's) orders. What he has done about the clothing. No word from Martinico; reports from Jamaica are that orders were given to destroy all the Spanish ships, wherever they could be found. 85
- March 24,
Presqu'Isle. Capt. Schlosser to the same. Thanks for garden seeds, nails, &c. Hopes more seeds will arrive with the whiskey for the artificers, the only pay they expect. The lake still frozen, the snow deep and full winter weather. How he proposes to palisade the post. Asks for a carpenter, whom he cannot do without, also for oakum, pitch, &c. 87
- March 25,
Ligonier. Arthur Hamilton to the same. That Mr. Fournier has selected hides, for which he is to come in two or three weeks. Sends returns. 90
- March 27,
Philadelphia. Alexander Lunan to the same. That Vandervelden, the partner of Hamback, wishes to join him, and to obtain liberty to have their stores returned in the boats that carry up the King's stores 91

1762.
March 29,
Venango. Lient. Carre to Bouquet. Has sent four men to bring up the clothing. Shall send Guy as much beef as can be spared when he sends up the bateau. Does not expect much more venison, but shall continue to buy what offers. Has sent the party by water, as the rising of the creeks will prevent going by land. Page 93
- March 29,
Philadelphia. James Young to the same. The Assembly has voted 1,000 men before adjourning. A ship from Lisbon, brings an account of the declaration of war by Spain on the 18th December, and Lord Bristol who had come to Lisbon on the 28th was to leave on the 30th. Everything points to war, and if it is as successful against the Spanish as against the French "we shall become a powerful and haughty nation." The capitulation of Martinico is not yet received, but is hourly expected. Marriage of Sir John St. Clair to Miss Morland, daughter of the late councillor. 95
- April 1,
Fort Burd. Sergeant McDonald to the same. Has been informed that the regiment is broke (disbanded) but there is no word for the pay or clothing of the men on this communication. Gives a statement of the pay and clothing due to several of the men. Is afraid that he will be left alone, and he is informed that some of the men at Cumberland are gone. 97
- April 1,
Niagara. Ensign W. Hay to the same. Sends letters to Mr. Stedman to be forwarded. Remits him (Bouquet) of his request to be relieved. Is now on good terms with the major and other officers. 98
- April 2,
Philadelphia. Alexander Lunan to the same. Statement of letters received and answered. 99
- April 4,
Niagara. Major Walters to the same. Sends returns. The troops have been very healthy this winter, having lost only three men, two of whom were frozen to death in a snow storm. The bearer, Mr. Leve, carries bills for money he has advanced; asks that Captain Barnsley meet these bills. If money is not sent for subsistence, &c., will be obliged to send to New York for it. 102
- April 6,
Cumberland. James Livingston, Fort Major, to the same. Three deserters sent back; the depositions of two of them show that one Barny Riley was the instigator. Depositions sent. 104
- April 8,
Fort Burd. Sergeant McDonald to the same. Two men living in a hunting cabin six miles up the river found killed by the Indians and their cabin burned; believes they were killed for the sake of their guns; this has frightened the people from settling. Has complained to a head man of the Mingoes, who has sent to investigate. Report that Barny Riley had been inciting desertion; will send him to Fort Pitt when the bateau arrives. 105
- April 9,
Fort Burd. Sergeant McDonald to the same. Further about Barny Riley inciting to desertion; has sent him to Fort Pitt. Cannot send a list of those who will plant corn, as the people are frightened to settle on account of the murder by the Indians. 107
- April 10,
Ray's Town. Col. William Eyre to the same. The road between this and Fort Cumberland (36 miles) very indifferent. Between that fort and Fort Burd very bad, except for 15 or 16 miles on this side of Red Stone Creek. The nature of the different roads. Hopes soon to get to Philadelphia. Supposes Capt. Basset is now on his way here, &c. No news yet from the West Indies. 108
- April 10,
Fort Pitt. Bouquet to sergeant McDonald. Has received news of the murder (p. 105) Had he obeyed orders to prevent hunting or settling beyond the fort he would have prevented that crime. His reason for prohibiting these settlements was exactly what has occurred and yet Brown, the man who discovered the murder, was going off eight miles to look for a place to plant corn. Repeats his positive orders to prohibit any planting beyond two miles from the fort at the utmost. Riley to be sent prisoner to Fort Pitt. To send whatever information he can obtain

1762.
respecting the murder and to send a list of settlers about the post, their distances, &c. To assure the people who settle at Red Stone that if they do not go beyond two miles from the fort they shall be perfectly safe from the Indians. Riley has been taken in charge. All the men are to go on planting corn. Page 110
- April 10,
Fort Pitt. Bouquet to Major Walters. The high flood in January swept off and spoiled the winter stores, besides damaging the fort and magazines. Death of Capt. Mather; Barnsley is appointed to the Grenadiers. Ensign Jehu Hay recommended for promotion. Other promotions. Arrangement for the musicians. Orders received to reduce the rations to the women attached to the regiments. The garrisons of Venango, Le Boeuf and Presqu'Isle to be reduced. Other regimental details, &c. 113
- April 13,
LeBoeuf. Lieut. Guy to Bouquet. Returns sent. Scarcity of flour, &c; kettles wanted. 117
- April 13,
Ligonier. Arthur Hamilton to the same. Has been careful to send returns of the victualling. Difficulty of ascertaining the quantity of flour and other stores, &c. Bad quality of some of the flour and the bags out by rats. 118
- April 15,
Fort Bard. Sergeant McDonald to the same. Defends himself against the charge of disobeying orders and allowing men to hunt and settle out of bounds. The Shawanese are said to be the murderers of the two men; all their effects found but their guns. Corn offered for sale by men who raised it last year. He will have eight acres and Barny Riley and his companions twelve acres of corn this year. 121
- April 15. Alexander Lunan to the same. Asks his help to recover money due by McAlister, who has gone off without paying. 124
- April 16,
Venango. Lieut. Carre to the same. Has forwarded letters. Provisions sent off by Guy's bateau. Sends the account for venison and other accounts. The orders about spirituous liquors shall be strictly observed. 125
- April 19,
New York. Capt. Cochrane to the same. Respecting a deserter and a man flogged through the town by the civil authority for theft. 126
- April 21,
Charlestown. Austin, Laurens and Appleby to the same. The death of Andrew Fesch and the settlement with his widow for the surrender of the estate. 127
- April 21,
Ligonier. Lieut Blane to the same. His regret at the misfortunes that have befallen the soldiers. Is surprised at the number leaving Fort Pitt without passes, but none have passed this without seeing them; had given Ormsby's storekeeper a fright. Is not aware that any settlers have disobeyed orders; should he discover any he shall report. Explains a liquor transaction. 130
- April 22. Act naturalising Bouquet and Ernest Victor in the Province of Maryland. 132
- April 24,
Presqu'Isle. Edward Smyth to Bouquet. Sends his account as issuer of provisions, &c. 134
- April 24,
Fort Bard. Sergeant McDonald to the same. No pay has come for himself or men, who were only kept till he could get an answer from him (Bouquet). Respecting the pay promised the men for work, which they say he (the sergeant) got and is defrauding them of. His (Bouquet's) horse has run off up the river. 135
- April 25,
Ligonier. Lieut. Blane to the same. Returns sent. Ten horses stolen by Indians; men in pursuit. Wants clover seed. 137
- April 25,
London. General Abercromby to the same. Recommending Lieut. William Leslie. 138
- April 26,
Detroit. Capt. Campbell to the same. His accounts passed and warrant received. Hopes some method better than that of last year, will be taken to supply the posts. Is sorry for the loss of ammunition at Fort Pitt; the necessity

1762.

of having a supply at Detroit and the other posts. Has applied to Major Walters for a supply. Has written the General as to the necessity of giving presents to the Indians, as the small garrisons are at their mercy. The general orders regarding rum will have a good effect, though there is a good deal left at Niagara by the Albany traders, which he hopes will be forbidden to be sold to the Indians. Does not think young Schlosser will do at St. Joseph's; the French and Indians are so connected that if one is disobliged the other takes its part; his father might ask that he be relieved from that post. Cannot relieve Sergeant Steiner at St. Joseph's, as there is no other to send. It would be of great service to get cattle from Sandusky. Sends a little girl returned from the Indians; she was too young when taken to give an account of herself, &c., &c. Page 139

April 28,
LeBoeuf.

Lieut. Guy to Bouquet. Will stay for the summer; but hopes to be relieved before the bad weather sets in. 143

April 29,
Ligonier.

Lieut. Blane to the same. Arrival of four horses from Bedford, which shall be kept till he can forward them to Fort Pitt. What liquor can be ordered, &c. 144

May 1,
Venango.

Lieut. Carre to the same. Eight barrels pork delivered by Sergeant Saam. Will send the bateau to-morrow with one of Saam's men to pilot them. Sends invalids by Saam. 146

May 3,
Cumberland.

James Potter to the same. Sends Mary Feresick, whose boy was taken by the Indians in 1758 and is now at Tuecarawas. Asks that she be helped to recover him. 147

May 3.

John Bartram to the same. Had received his letter, but was unable to find the bearer, who had left. Sends a list of North American trees and shrubs, most of which are growing on his land, but to send a list of all the plants he has growing which he collected from New England to Carolina and from the sea coast to Lake Ontario would take up too much time. A list follows of 179 North American trees and shrubs. The letter is written in the distinctive phraseology of the Quakers. 148

[John Bartram was a Pennsylvanian who laid out a botanical garden on the west bank of the Schuylkill, four miles below Philadelphia. He was appointed American botanist to George III and held the office till his death in September 1777. See Allibone's Dictionary].

May 4,
Philadelphia.

Hoops to the same. Has agreed to a compromise with Thomson about the tan yard &c. Hopes he has heard the good news of Martinico; the Spanish war is too true; the large privateer gets on fast. Respecting provisions. 152

May 5,
Ligonier.

Lieutenant Dow to the same. No hope of relief. Amherst has ordered clothing for Niagara and Detroit to be sent in the manner to be ordered by him (Bouquet). The road being good the waggons will set out next week with clothing for Fort Pitt. Colonel Byrd and others gone to Virginia. Colonel Young has gone home at last; Amherst positively refused to let him sell his commission. Regimental promotions and changes. Colonels Murray and Vaughan are both dead at Martinico. It is said at New York that 1400 men are on their march from Kennedy [Canada?] and the independent companies on their way from Albany to New York; there is to be an expedition, but nobody knows where. Cochrane has been tapped a second time and is not yet recovered. Respecting clothing, regimental changes, &c. 153

1762.
May 5,
Ligonier. Lieut Blane to Bouquet. Will enforce orders on the sutlers. The inefficiency of his garrison, and being so few he is anxious to have those that may properly be called, men. Asks that Hamilton be ordered down. Is glad that the battalion is gathering again at Fort Pitt. Page 156
- May 6,
Philadelphia. Apparently from Lunan to the same. That the writer from a short illness has begun to think seriously of matrimony. 158
- May 6,
Philadelphia. Alexander Lunan to the same. Letters received and forwarded, social news. 100
- May 6,
Philadelphia. T. Basset to the same. Has received orders from Colonel Eyre to go to Pittsburg, though there is little to be done there. Meyer ordered from Fort Pitt; hopes he will not leave till he has finished his survey. Had applied for leave to go to Shrewsbury on account of his health, just before receiving the orders, so he supposes he shall not get it and that he will soon be on the banks of the Ohio. Respecting wine for Bouquet and other private matters. No news from Martinico; supposes that Monckton will soon be here, Lord Albemarle, a general of superior rank, being now in the West Indies. Social talk. Is sorry to hear that the garrison is so sickly. 160
- May 6,
Ligonier. Lieut. Blane to the same. No forage was issued last winter to Thomson and Paris. Is sorry for the poor people of Carolina, prisoners to the French and Spanish. That Hamilton, who proposes to stay at Fort Pitt, must come down immediately. Colonel Vaughan is not dead, but was so near it that his coffin was made. 164
- May 7,
Niagara. Major Walters to the same. The garrison healthy; four men lost, two were frozen and two drowned, besides one man who died having been left sick from Campbell's command. Arrangements for the musicians and about rations for the women attached to the regiment. The present garrisons at Presqu'Isle, LeBoeuf and Venango should be sufficient but more men are wanted here and at Fort Pitt. He can ill spare men to take provisions to Presqu'Isle; if sent necessary work must stop. Expects carpenters and materials every day to complete the vessel now building. The works of this fort want a great deal of repair. Has got bateaux ready to take provisions to Presqu'Isle; the officer there should be ordered to keep a bateau constantly going till the post is completely furnished with provisions. Arrangements at the carrying place. Is glad Captain Schlosser returns to this post. Christie has offered to relieve Dow. Regimental clothing, pay, &c. 166
- May 7.
A mutinous letter (in German) addressed to Bouquet. 171
- May 12,
Venango. Lieut. Francois Gordon to Bouquet. Arrival of two soldiers looking for a drummer who has been lost; has supplied them with provisions. The barrels ordered to be sent are very bulky; would, if approved, take them apart for convenience. The want of clothing, some of the men have only the neck and wristbands of their shirts left; the men out an odd figure on sentry. It will take five trips or more to supply Le Boeuf with provisions, &c. 173
- May 14,
Tuscaraways. Thomas Colhoon (trader) to the same. Has done all he could with the Indian chiefs to get Martin's children. They said they were consulting about proceeding next full moon with all the prisoners to the Governor; till then they could not part with any. Martin must, therefore, be content with the hope of seeing his children at Lancaster. 175
- May 14,
Ligonier. Arthur Hamilton to the same. In accordance with a letter from Plumsted and Franks he shall leave this for Philadelphia as soon as possible. Asks to be recommended to the Governor for a company of Pennsylvanians now raising or to be raised for His Majesty's service. 176
- May 15,
Philadelphia. John Read to the same. His neglect to enclose memoranda in a previous letter. Is obliged for orders given as to returns. Sent list of:

1762.

- women drawing provisions at Carlisle, Lancaster and Philadelphia, which is to be inquired into. Asks that accounts of provisions received and issued be sent him, that he may submit them with remarks. Expects to leave for Fort Pitt by the end of the month to make a survey. Page 177
- May 15, Fort Bard. Sergeant McDonald to Bouquet. The pay is at Fort Cumberland, where he proposes to go himself for it. Has been ordered to enlist men, with £10 bounty, but not till he receives instructions from him (Bouquet). 179
- May 15, Philadelphia. Plumsted and Franks to the same. Hopes that there will not be the same inconvenience from the want of fresh meat as was the case last winter, when the cattle had to be slaughtered for want of fodder. Are not conscious of deserving censure. Their present arrangements 180
- May 16, Presqu'Isle. Lieut. Dow to the same. Flour and pork received. He is to be relieved by Christie and to return to Niagara, at which he is surprised, as he believed himself to be under his (Bouquet's) command. Begs as a favour that he may be allowed to come to Fort Pitt, as he would rather live alone here than go to Niagara. 183
- May 17, Winchester. Col. George Mercer to the same. A friendly and personal letter. 184
- May 19, New York. Capt. Cochrane to the same. Sends letter received from London. Reports that his (Bouquet's) naturalization in Maryland had passed most amply and that he had been granted the right to be chosen a member of the Assembly. A deserter from the Royal Americans is to be kept in Gates' company till the expedition is over. Gage has got the 22nd regiment. 187
- May 20, Venango. Lieut. Gordon to the same. Returns forwarded by the man sent to pilot the bateau to Le Bœuf. Guy wants provisions. There should be two bateaux here. 189
- May 20. Thomas Cresup to the same. The Assembly (of Maryland) has been in its usual lethargic state, having raised neither men nor money for His Majesty's service. Asks that payment be obtained for a note of hand due by James Barrance. 190
- May 21, Fredericksburg. Colonel Adam Stephen to the same. Sergeant McDonald came down for the men's pay, which is now settled, and he hopes they will now remain till relieved. Had the sergeant not come down the men would have left him. There has been great success in recruiting, but does not know the destination of the men. 190
- May 22. Mrs. Fesch to the same (partly in English and partly in French) respecting her late husband and the plantation and her own course since his death for settling up the accounts and disputes. 193
- On the 4th June a copy of this was sent; the note which accompanied it stated that she had that morning given up the plantation, negroes &c. to the agents. 203
- May 24. List of officers of the 1st battalion of the Royal American Regiment as they are appointed to companies on this date. 204
- May 24, Presqu'Isle. Ensign Dow to Bouquet. Sends returns. Asks for garden seeds. 205
- May 24, Sandusky. Ensign Pauli to the same. Leave given by the Chiefs to Philip Boyle to plant corn. The Indians are very quiet. The detachment is healthy. The bateaux left for the winter 30 miles off were found when sent for to be nearly ruined by the Indians probably for the nails; and the men on their return lost in a storm the only canoe he had. Traff wishes his horses to be employed. 206
- May 25, Niagara. Major Walters to the same. Sends the monthly returns. Has sent Cochrane's men to reinforce Campbell at Niagara. Respecting accounts of the men, &c. 208

1762.
 May 28,
 Cumberland. James Livingston to Bouquet. Has sent returns. Powder forwarded, except one barrel which was bad and one kept for the garrison. The difficulty he had to get horses. The Virginians ordered to rendezvous at Fredericksburg, as they could not be supplied at Winchester. Col. Mercer has gone to Philadelphia for their clothing. Page 210
- June 1,
 Philadelphia. John Read to the same. Sends general state of the provisions; how rations are calculated. His journey to Fort Pitt delayed. 212
- June 6,
 LeBoeuf. Lieut. Guy to the same. Sends returns; arrival of Christie. The transport of provisions, &c. 213
- June 6,
 Fort Pitt. Capt. Barneley to the same. Respecting medical assistance. Lieut. Baillie sets off for Bedford. Hopes to hear that Ourry is better. 214
- June 7,
 Detroit. T. D. Hamback to the same. Respecting payment of his bills. Returned on the 2nd from St. Joseph's where he would have made a better band if Schlosser had not been so much against him. Will try Saint Joseph's again. Has entirely finished his first cargo and hopes to come clear. Has not had one marten this winter. 215
- June 7,
 New York. Commissary Pitcher to the same. After the arrival of the 58th from Canada for embarkation, he shall set out for Fort Pitt, and asks him to order that the various muster rolls be written up, ready for the muster. 216
- June 8,
 Wawatonic. Burd to the same. His efforts to get Galloway's family from the Indians but without success; will continue his attempt. 220
- June 8,
 Detroit. Captain Campbell to the same. Asks for a pass to Callender and Spear bringing spirits and shrub to the garrison. 221
- June 8,
 Philadelphia. Hoops to the same. Thanks for helping him about the tan yard. Money matters. The launch of the privateer, the finest built in North America; the ships of which he holds shares. 222
- June 8,
 Detroit. Captain Campbell to the same. Had assisted Hutchins on his journey as directed; could only spare two men and an interpreter and desired Leslie to provide a guide to the Bay and St. Joseph's. Provisions received from Niagara. Has sent a little to each post but it is difficult, the bateaux are so bad. Bateaux are best for the lakes. His accounts passed. Major Walters has stopped all the shrub and spirits brought by the traders, but he (Campbell) has given a pass to Spear and Callender. Various items. Schlosser at St. Joseph's has promised that there would be no more complaints against him. The amount of bills held by young Clapham on account of Taylor and Cox. 224
- June 8,
 New York. Capt. Cochrane to the same. Had shown the General his letter; he had some thought of sending Pritchard and Holdstock to Niagara, but said nothing of Pritchard's desertion. The appearance of a cure are favourable in his (Cochrane's) case. Respecting his men's accounts at Niagara; Dow settles those regularly at Presqu'Isle, &c. No further news from Martinico than the sailing of Lord Albemarle and the fleet and army. Is afraid the climate of the West Indies will hurt the men more than the enemy. The first detachment from here, under Burton, is at the Hook, ready to sail. Other troops here, but their destination is a secret. 229
- June 10,
 Fort Pitt. Capt. Barnsley to the same. Is glad to hear of his and Ourry's recovery. Shall observe directions about Van Hulst, beer, &c. Men returned from Venango; flour deficient in weight. Good prospect for garden and other crops, &c., &c. 232
- June 10,
 Old Town. Thomas Cressap to the same. Is sorry to hear of his hurt; attempt to gain possession of his (Bouquet's) land defeated. 235
- June 11,
 Lancaster. Arthur Hamilton to the same. Had executed his orders. The carpenter cannot come, &c., &c. 236

1762.
June 11, Presqu'isle. Ensign Christie to Bouquet. Has relieved Ensign Dow, who has gone to Niagara. Capt. Schlosser arrived on the 10th, leaves on the 12th. Sends men's names entitled to discharge. Has only one bateau, so that it is difficult to supply Sandueky. Page 237
- June 11, Philadelphia. Lieut. Dow to the same. Shall leave for New York as ordered. Shall take care of Mather's letter; sends account of the sale of his effects; sends invoices of waggon loads of clothing forwarded; the rate at which they are hired. Respecting other clothing, &c. The ungrateful character of Liwin. Should have liked his son under his (Bouquet's) command; his going to Niagara causes him uneasiness. The expedition under Burton ready to sail; other troops expected. Movements of other officers. 238
- June 12, Philadelphia. Colonel George Mercer to the same. A long apology for not writing, a dissertation on matrimony, &c. 241
- June 13, LeBoeuf. Lieut. Guy to the same. Sends returns of provisions received and issued, with remarks. 246
- June 13, Fort Pitt. Capt. Barnsley to the same. Hopes that he has recovered from his accident. Smuggling still going on; has defeated the attempt made by Price; the warning given to those who have been abusing the sergeant on this account. Council of Indians concerning the peace of 1750; they produced the treaty signed by George Croghan and Andrew Montour, which they wished renewed. Their complaints of the traders charging too much for goods, and hint that there are French on the Illinois trying to spirit up their young men. "In the mean time His Majesty the King of Portugal has assured them they shall not be hungry, as I have ordered them to be fed out of his weekly allowance." 248
- June 15, Fort Cumberland. James Livingston to the same. Report that Israel Christie who went with goods to the Cherokee nation had been overtaken on his return, robbed and murdered. 252
- June 14, Ligonier. Lieut. Blanc to the same. Is glad to hear of his and Ourry's recovery. Sends list of people applying for plantations. Is busy with his hay, &c. 253
- June 15, Fort Pitt. Edward Ward to the same. Details of the Council with the Indians, reported in Captain Barnsley's of the 13th. 254
- June 17, Philadelphia. Alexander Lunan to the same. A friendly and strictly personal letter. 257
- June 17, Fort Cumberland. Sergeant McDonald to the same. Had settled everything at Red Stone Creek. Offers to carry letters to Virginia. Thomas Crafts is stationed at the great crossing and asks to be left to make further improvements, so that the post will be useful for travellers. 258
- June 18, Lancaster. James Ralph to the same. Respecting matters of business on which he asks Bouquet's advice. His (Bouquet's) old servant, Frank is dressing like a gentleman and riding about, so that he must know of the robbery of Fort Pitt, but there is no proof on which to arrest him, and the magistrates of the town are a set of rascals. 259
- June 20, Niagara. Ensign William Hay to the same. Regret at his accident. Hopes his future conduct will meet with approbation, and returns thanks for the promise that he would be recommended for the first vacancy. 261
- June 20, Fort Bedford. Capt. Ralph Phillips to the same. Has been detained; will leave for Fort Pitt to-morrow. 263
- June 22, Salt Lick. Edward St. Leger (a trader) to the same. Has done his best to assist McCullough to recover his son from the Indians, but to no purpose. 264
- June 22, Michillimackinac. William Leslye to the same. Will send skins when the Indians bring any worth having. Sergeant Cummings, who has been here in ill-health,

1762.

is applying for his discharge and will supply a man in his room if necessary. Page 266

June 23,
Niagara.

Major Walters to Bouquet. An almost illegible letter. 267

www.libtool.com.cn

LETTERS TO COLONEL BOUQUET.

1762.—VOL. VI.—PART 2.

A. 18-2.

B. M., 21,648.

1762.

June 24,
LeBoeuf.

Lient. Guy to Bouquet. Sends returns; wants steel yards for weighing. Page 269

June 24,
Detroit.

Capt. Campbell to the same. Arrival of a reinforcement of sergeant and 15 men. The General has ordered Commodore Loring to Niagara to get the vessels into the lake, and has ordered post to be taken on Lake Superior; more banishment for some unlucky fellow. Sends returns. 270

June 24,
Presqu'Isle.

Ensign Christie to the same. Sends returns; wants powder, &c. 271

June 25,
Fort Cumberland.

James Livingston to the same. Sends respects; concerning deserters. 272

June 29,
Fredericksburg.

Col. Adam Stephen to the same. Small pox broken out; asks for a dozen of the tents left at Bedford. Has sent off 1&9 recruits for the British battalions, and has here 500 good men, with recruiting parties out. 273

July 3,
Detroit.

Capt. Campbell to the same. Refers to letters sent. Has still the same difficulties about provisions. Can place little dependence on the vessels, and after this month the navigation is precarious. The General believes the Indians should support themselves by hunting; if they thought they were to get no ammunition they could not be kept quiet; they are elevated at the report of a Spanish war and that the French and Spaniards are to retake Quebec. They only want a good opportunity and the encouragement of an enemy to begin an attack. Letters from Leslye and Gorrell; the garrison of the latter sickly; those officers at the posts are obliged to give the Indians something, so that there will be large accounts. Accounts and movements for the relief of posts. Is tired of Detroit; the people do not improve on acquaintance. &c. 274

July 4,
Niagara.

Major Walters to the same. Major Wilkins is to command this post; he is to succeed Gladwin in the 80th who succeeds him (Walters) in the 47th. 278

July 5,
Falmouth.

Carran (merchant) to the same. Gives an account of his birth and career. 279

July 6,
Niagara.

Capt. Scoleser to the same. The command of the detachment has been transferred to him; Major Wilkins is to command the post. The men entitled to their discharge offer good men in their room, which he thinks should be agreed to, &c., &c. 284

July 10,
Philadelphia.

Alexander Lunan to the same. Thanks for interference in the case of McAllister, &c. 286

July 14,
Detroit.

T. D. Hamback to the same. Gives an account of his trade; of his disappointment with Callender, of Mitchel's offer to supply him with goods, &c. 287

July 15,
Philadelphia.

Capt de Haas to the same. Had not answered as he expected to see him. To send down the little boy and he will take care of him. Conditions asked for manufacturing and supplying powder. A hundred men are to be raised to build a battery and mills at a distance from the town. 290

- 1762,
July 20,
Carlisle. James Ralf to Bouquet. Barr has given up his share of the works. Mr. Frank has run off to Philadelphia and gone on board a privateer. The country ruined for want of rain. Page 291
- July 20,
Fort Bedford. Lieut. Blane to the same. Everything in good order at Ligonier. Is afraid that Major Wand has made a bad use of the unlimited order to supply the Indians. Arrived here at one o'clock and found Capt. Ourry in good spirits. 293
- July 23,
Sandusky. Ensign Pauli to the same. His men have been attacked with the fever, from bad water, he thinks. Asks for medicines. Has sent eight sheep to Capt Campbell. Can get no venison from the Indians, who can hardly keep themselves alive. 294
- July 24,
Venango. Lieut. Gordon to the same. Sands returns. Stores wanted, 295
- July 25,
Charlestown. Mrs. Fesch to the same (in French). Stating her situation, her doubts as to the steps she should take, asking advice, &c. 296
- July 26,
War Office. Lord Townshend to Rev. Mr. Schlatter. Unless he embark in a reasonable time to enter on the chaplaincy of the regiment, he shall be superseded. 299
- July 26,
Presqu'Isle. Ensign Christie to Bouquet. Mr. Pitcher has arrived and sets off for Niagara to-morrow. Major Walters has ordered him to send the bateaux for another load of provisions before sending any to Sandusky; there will then be sufficient for both garrisons for more than twelve months. The sloops have not been got out to the Lake, but it is hoped the Commôdore will get them out soon. Has received 8 sheep from Guy in exchange for pork. Stores wanted. Has sent for two milch cows. 301
- July 26,
Presqu'Isle. James Pitcher to the same. His adventure with the Indians after leaving; all is well at the posts; the block house here well laid out, but mortar wanted to build the chimneys. 303
- July 27.
Enoch Innis to the same. Respecting a debt due him by Sergeant Coulton. 307
- July 27,
Old Town. Thomas Cresup to the same. On what terms he will winter his (Bouquet's) cows and horses. Debts due by people at Pittsburgh, on whom no writ can be served; would a sheriff from here be allowed to bring a debtor by a writ from here, or by what process can a settlement of debts be enforced. 309
- July 27,
Old Town. James Livingston to the same. Mr. Cresup has written about the terms for cattle &c (p. 309) Capture of Fort Moor [the Moro] and six Spanish men of war in the Havana. Has been ordered to send down the enlisted men so as to be paid for the money he advanced them. Has gone to settle, leaving a careful corporal in charge. 311
- July 28,
Fort Pitt. List of Virginian five pound bills, supposed to be counterfeited, found in the possession of several persons (named). 312
- July 29,
LeBoeuf. Lieut. Gay to Bouquet. Memorandum of previous letters; the exchange of sheep for pork with Ensign Christie. 313
- July 29,
Niagara. Major Gladwin to the same. Had been appointed major to his (Bouquet's) battalion, but had declined it. Is going to Detroit with Capt. Etherington's company, and shall send him with proper parties to Lake Superior, to take post at Sault Ste Marie, Kaministiquia and Chagninigon. 314
- July 31,
Niagara. Capt. George Etherington to the same. That he is setting off for Lake Superior to establish a post and return to Michillimakinak. 315
- July 31,
Ligonier. Lieut. Blane to the same. Had received his letter before leaving Bedford. The Indians on their return shall have everything in reason. Seeds sent. Begs that Corporal Hallows may be left at the post, even although he is but a drunken fellow. 316
- August 1,
Venango. Lieut. Gordon to the same. Arrival of Pitcher after his adventure with the Indians. Had called on them for an explanation, who said

1762.

they were hungry; had got nothing at Fort Pitt and had killed no game, but they did not mean him any harm. A canoe carried off by soldiers and sold at Fort Pitt; the Indians must be paid for it. If the soldiers are allowed such liberties what can be expected from the Indians. Want of hinges, &c. Page 318

August 1,
Niagara.

Capt. Schloesser to Bouquet. Respecting the returns and muster by Mr. Pitcher, &c. Major Gladwin has brought orders for a captain with his company to go to Detroit and thence to Lake Superior to establish four posts. He (Gladwin) is to command at Detroit; Etherington to go on. Gladwin would give no orders as he believes he will go back to the light infantry and that Wilkins will take his place. By Gladwin's arrival he had got the men exchanged whose time was up. Respecting accounts &c. Is setting out for Schenectady in two days for necessaries for the garrison. The sergeant-major has applied for leave to purchase the adjutancy. 321

Petition from the sergeant major follows. 324

August 4,
Bellfield.

Edward Ward to Bouquet. Had ordered 700 pounds of bread for the Indians at Ligonier; neither that nor the meat was sufficient to last them to Bedford. Their extravagance is well known, the Government being too indulgent to them at their meetings. On their return he shall keep them to their allowance. 328

August 4,
Detroit.

Capt. Campbell to the same. Hopes he has recovered from the effects of the accident. The General has appointed Gladwin to the command of Detroit, to send him (Campbell) to Lake Superior or to keep him at Detroit as shall be best for the service. Does not think the expedition to Lake Superior will take place this year, the vessels not being ready. Were his accounts here settled he would wish to join at Fort Pitt. Murder of Clapham by two Pani slaves and Indians, the latter of whom delivered up the Panis. The Indians appear well disposed here at present. 330

August 4,
New York.

Capt. Cochrane to the same. Respecting men draughted, exchanged or who wished to be discharged from the regiment. Report of mischief done by the Indians at German Flats. The accounts from the Havana are favourable, the Moro is almost reduced to ruins and the capitulation of the town is expected. Newfoundland taken by the French. It is reported that the Queen of Hungary is dead. 333

August 6,
Venango.

Lieut. Gordon to the same. Arrival of bateaux with provisions; the bateaux leaky. The creek is so low that it is impossible to forward provisions to Le Bœuf; list of provisions already forwarded. Arrangements about the bateaux; has no liquor to give the men; a little would be of great service. Calls attention to the weak state of the garrison, &c. 335

August 7,
Ligonier.

Lieut. Blane to the same. Sends return of flour, which shows a great deficiency, and sends this by express, hoping it will reach before the contractors leave Fort Pitt. Remarks on the nature of the deficiency. 337

August 7,
Venango.

Lieut. Gordon to the same. Hinges, nails, &c., received. The men are behaving well at present. Whiskey received. Shall try to prevent the Indians from doing mischief; they have stolen four horses. Explains his apparent interference with Bouyer's company. Has sent off provisions, &c., to Le Bœuf. Eight of the men have fever and ague. 338

August 8,
Sandusky.

Ensign Pauli to the same. Letter received. Provisions delivered by Capt. Robertson, commanding a vessel on Lake Erie, which could not get into Lake Sandusky from the shallowness of the water. Respecting man of the old party sick and a grenadier sick at Detroit. The complaints against him of the treatment of the Indians proved to be lies. Capt. Clapham's death. 342

... of ... of ...

Page 24

... of ... of ...

... of ... of ...

... of ... of ...

... of ... of ...

... of ... of ...

... of ... of ...

... of ... of ...

... of ... of ...

... of ... of ...

... of ... of ...

... of ... of ...

... of ... of ...

... of ... of ...

August 11, August 12, August 13, August 14, August 15, August 16, August 17, August 18, August 19, August 20, August 21, August 22, August 23, August 24, August 25, August 26, August 27, August 28, August 29, August 30, August 31

www.libriol.com.cn

1762.

goods. Has been inquiring for a hand to raise hemp but has not found one. Page 365

August 18,
Fort Pitt.

Bouquet to David Franks. Has received account of stores; sends certificate of wastage. Requires waggons or horses to carry about 50,000 weight of flour from Ligonier to this post before the middle of November. Curry will arrange about the price, it would be a saving if part of that could be paid in flour. Salt meat for thirty men to be laid in for six months at Ligonier, supplying fresh meat at this season. 370

August 19,
New York.

Capt. Cochrane to Bouquet. His and other officer's servants have disappeared, supposed to have gone on board the ship Privateer. Has offered a reward, and will prosecute the captain on his return. Asks for a servant to be sent; the good prospects of his recovery. Colonel Amherst sailed on Monday on an expedition to Newfoundland, it is supposed, and to take troops from Halifax and Louisbourg. 372

August 21,
Niagara.

Lieut. Dow to the same. Has been at Albany and Ontario, and came here on the 4th. Respecting the movements of Gladwin and Etherington and the quantity of clothing sent to Detroit. The great complaints among the men which he hopes the new major will put an end to. The major had offered to keep him, and said he could not spare men to go with him to Presqu'Isle; will come round by Philadelphia, bringing with him the clothing from New York. His (Dow's) son is very anxious to be sent to Fort Pitt. Demler is to send a sketch of the Falls. This place is entirely out of the world. 374

August 21,
Bedford.

David Franks to the same. Thanks for letter, &c., shall procure horses to carry flour to Fort Pitt. How the different qualities of flour are separated. Provisions shall be laid in at Ligonier as ordered. Monckton writes that he no longer has to do with the Department, &c. 377

August 22.

James Wright to the same. Describing the place where five skeletons were found by Shawanese—about three miles from the Ohio, about 30 or 40 acres of salt, moist land, in the middle of a large savannah, four days journey below the Shawanese town, on the east side of the river. The skeletons (of huge creatures) are described, the Indians stating that such bones had been found scattered over the plains, but none in such preservation; they said there was a tradition that "such mighty creatures once frequented these savannahs; that there were then men of a size proportionable to them who used to kill them and tye them in their noppuses and throw them upon their backs, as an Indian now does a deer; that they had seen marks in rocks, which tradition said were made by these great and strong men when they sat down with their brethren, such as a man makes when he sits down in the snow; that when there were no more of these strong men left, God killed these mighty creatures that they should not kill the present race of Indians and added God had killed these last five"—that is, with lightning. 379

August 23,
Venango.

Lieut Francis Gordon to the same. Has forwarded letters, &c. The Mingoes have stolen three or four fine horses. The Indians about say they told them they would have these horses and skins from Petterson. 383

August 24,
Presqu'Isle.

Ensign Christie to the same. Shall send a bateau to Sandusky when the men get better; they are suffering from fever and ague. Sends returns. 384

August 26,
LeBoeuf.

Lieut. Guy to the same. Sends certificates; used the damaged flour to feed the sheep; did not know it should have been regularly condemned. The deficiency in his account has arisen from not taking credit for all his issues of provisions, &c. &c. 385

August 26,
Detroit.

Capt. Campbell to the same. Arrival of Gladwin and other officers. Had been ordered to take posts on Lake Superior, but Major Gladwin has kept him here. The vessels only brought 40 barrels of provisions.

1842

Nothing more can be done this season but to take post at St. Mary's River, and to remain at Mississauga for the winter; Janet gave to the Indians a Seal to signify the presents are passed. Gave no presents to the Indians in the summer to give presents to the Indians except a few tobacco in their presents but only given trifles to the Indians and to William Jenkins and although he thinks the Crown should be at some expense to employ the Indians in good humour. Provisions received by Jenkins and Evans. Jenkins had to give presents to the Indians in making presents to the Indians. Has communicated all the news to the Indians in Albany.

Page 387

- August 22. Lieut. F. Gordon to the same. Has returned from America on a march. The weather was very good throughout the voyage. 390
- August 22. Lieut. Blake to the same. Describes as at the time the sheep driver was captured. The stock is rising but not yet navigable. 391
- August 22. Lieut. F. Gordon to the same. Asks for his protection and advice in entering the service of Lewis Clark, a person who is desirous to enter the army service in the army. Will do what he can in Switzerland to which he is about to sail, to encourage emigration to Pennsylvania. 325
- August 22. Lieut. F. Gordon to the same. Has examined the stores here and sends returns. Finding the quantity of powder. Johnson is going up. Paper which amount it was is being at Havana, has been sent to Mr. York. 394
- September 1. Lieut. Blake to the same. Has returned. Lines has left with 23 loads of flour. The sailing season has come in. Sends monthly returns. 395
- September 4. Capt. Anderson to the same. Has given bounty to five men; sends some more money and returns. Had stood to get on the schooner to Miami, but she could not get into the Harco river, so he shall go by water. 396
- September 4. Lieut. referred to above. Returns. 397
- September 4. David Franks to the same. Sends papers with the great and good news (the surrender of Havana is evidently meant). 398
- September 8. Elizabeth Parr to the same. Sends returns and letters, &c. 399
- September 11. Capt. Rudolph Beckwith to the same. His arrival; an operation in his throat ordered. The letter is almost entirely personal. 400
- September 12. Lieut. Blake to the same. The Indians satisfied. Provisions for the post, &c. 404
- September 13. Lieut. F. Gordon to the same. Arrival of Misgoes demanding provisions; they threaten to return and burn the fort; he has only eight men fit to bear arms. A rifle stolen by an Indian has been taken away from him. Wilkie has arrived with goods and rum; fortunately the Indians know nothing of the latter; it has been put into the King's stores waiting orders. Escape of a deserter. 405
- September 22. Baynton and Wharton to the same. Memorial concerning a debt due to them by Michael Teaffe. 408
- September 22. Accompanied by a letter of the same date. 411
- September 22. William Allen to the same. Asks his good offices on behalf of Baynton and Wharton. 413
- September 22. George Croghan to the same. Description of the land he received from the Indians; any part may be taken for the use of the garrison. Suggests building a mill. 414
- September 23. Capt. Campbell to the same. Major Gladwin's arrival; he has not accepted the majority, but is to command here, with full power to demand all he needs from Niagara. Provisions expected from there; if any accident happens to them, there will be the same difficulty to support the troops as formerly. Returns sent. Clothing received. Shall relieve



1762.

Sergeant Steyner at St. Joseph's in a few days. Is busy with his accounts, &c., &c. Page 415

- September 24,
Detroit. Lieut Jehu Hay to Bouquet. Sends sketch of Lake St. Clair. The decrease in the depth of water he believes to arise from moving sand banks and not from the falling of the water, although there is an ebb and flow in the upper lakes, the extreme difference being five feet. Description of the sketch (It does not accompany the letter.) 418
- September 24,
Ligonier. Lieut. Blane to the same. Sends returns. Empty bags sent to Bedford. Reflections on the result of the war with Spain. 435
- September —
Presqu'Isle. Ensign Christie to the same. Returns sent. Provisions have been forwarded to Sandusky. Nails wanted, &c. 430
- September 25,
Niagara. Capt Schlosser to the same. (in French). Has been to Albany, and describes a plantation of 1000 acres on the Mohawk to be sold for £900 York currency. Is surprised he has not yet obtained leave, as if he remain here till November he cannot move, the communication being entirely stopped. Report here that Capt Barnsley has been scalped by the Indians. Sends a letter from Amherst concerning deserters. 421
- September 25,
Philadelphia. Warrant, signed James Hamilton, appointing James Burd and Josiah Davenport to receive the prisoners from the Indians, to be delivered at Fort Pitt, or other posts. 425
- September 25,
Niagara. Major Wilkins to Bouquet. Sends returns. Bouyer has been ordered to join him (Bouquet) by way of Presqu'Isle. Has heard from Fort Stanwix that Capt. Barnsley has been killed by the Indians. Is concerned in the scattered state of the battalion. Clothing. The recruits in place of the discharged men are very bad. Capt. Hopkins, with his detachment, has passed to Detroit. Is sending off a new sloop that can carry nearly 500 barrels of provisions. 427
- September 26,
LaSaut. Lieut. Guy to the same. Sends returns. Diseased state of the sheep; if he can keep them alive it is as much as he can do. The men are very sickly but are recovering &c. &c. 429
- September 29,
Venango. Lieut. F. Gordon to the same. Concerning one Skinner. One bateau will be sufficient for the post. One of his cows has run off or been stolen the other he sold to an Indian, Wilkie sent down; his desire to settle for the horses; he is sensible of his crime in bringing the rum. He had got leave to bring ten gallons and has no excuse for bringing the rest as he was cautioned enough. Has obeyed the orders left behind as to the use of the path by Petterson and Wilkie, as well as those regarding the Indian laying claim to a rifle. Has all these orders ready to leave with his successor. 430
- September 30,
Presqu'Isle. Ensign Christie to the same. Sends account of the balance due by Capt. Cochrane's company and of the debts due by them. Cannot send corporal Moss to Fort Pitt for reasons given. Respecting a sick soldier and Mr. Pitcher's horse. 433
- September 30,
Michillimackinac. Lieut. Leslye to the same. Sends a letter from General Aberoromby in which he says he had applied for his (Leslye's) removal from so disagreeable a station. Has not yet got marten skins. Capt. Etherington is to send Mr. Jeanet [Jamet elsewhere] to take post at St. Mary's, the season is too far advanced to go to Lake Superior. 434
- October 1,
LaSaut. Lieut. Guy to the same. Respecting necessary articles wanted by the men at the post. 436
- October 4,
Philadelphia. Alexander Lunan to the same. Has certificates of the services of horses impressed to carry baggage. How is he to get the account settled? 437
- October 6,
Philadelphia. Plumsted and Franks to the same. Respecting the supply of provisions for Ligonier and Fort Pitt. It is reported that 1,700 soldiers are coming here from the Havana; it is said they are very sickly, and that those sent to New York are dying daily by dozens. 438

1762.
October 6,
Ourry Park. Col. George Mercer to Bouquet. That many of the King's horses could be recovered, were a reward offered. (This is only a portion of the letter, the first part having apparently been lost.) Page 440
- October 6,
Venango. Lieut. F. Gordon to the same. The very bad character of Wilkie, who had imposed on him and has gone off leaving his affairs in a very bad condition. 441
- October 7,
New York. Lieut. Dow to the same. Has been attacked by a fever at Albany and wrecked on the way to New York. Shall ask leave to take the clothing to Philadelphia, where he will remain till ordered to Fort Pitt. Had met Captain Ecuyer at Fort Ontario, and Meyer at Albany. Arrival of the 17th, 42nd and Montgomery's; the Royals, 15th, 43rd and 48th are daily expected. The officers of the 2nd battalion of Highlanders go to Europe to recruit. His youngest son was well at the Havana; asks that his eldest son may be removed to Fort Pitt. 443
- October 12,
Niagara. Lieut. Geo. Demler to the same. That he has been promoted to a lieutenancy in the Royal Americans. 446
- October 13,
Fort St. Joseph's. T. Hamback to the same. Has obtained a pass at Detroit. Gives an account of Mr. Schlosser's extravagancies when in liquor. The French people wish that a man of sense were sent to this post and not a boy. 447
- October 15,
Niagara. Capt. Schlosser to the same (in French). Has received letters which had been delayed. Has engaged men on reasonable terms. Explains why names of men exchanged were omitted by Walters, and gives an account of the men discharged. The place is full of intrigue, of which he gives an account. Movements of officers. Has purchased a plantation from Sir William Johnson. Christie and the sergeant major are both ready to purchase Carre's lieutenancy. Respecting non-commissioned officers. His intention to sell out and his disappointment at the non-arrival of Carre to complete the purchase. The terms of his offer to sell, &c. 449
- October 17,
Niagara. Sergeant Major George Butrick to the same. Asking for his interest to enable him to purchase the succession to the vacant ensigncy, the money for which is ready. 455
- October 23,
Detroit. Capt. Campbell to the same. That Rodolph, who wishes to be discharged, has found a good man to take his place. 457
- October 24,
Ligonier. Lieut. Blane to the same. Will set out for Bedford, so as to be back in time for slaughtering. Hopes the Springs will do Ourry good. Does not think flour can be carried up cheaper than he said. A captured deserter has again made off. Ourry writes he will not leave Bedford till he hears from him (Bouquet) so he (Blane) will not go there till further orders. 458
- October 24,
Niagara. Return of exchanges enclosed. 460
- October 27,
Detroit. Return of the 1st battalion of the Royal American Regiment at Niagara and of the detachments, &c. 461
- October 27,
Detroit. Capt. Campbell to Bouquet. Dr. Antony Anthon has declined to purchase the ensigncy; Sergeant Cope desires to be recommended for a purchase. 465
- October 27,
Detroit. Dr. Anthon to the same. That being put on the hospital establishment, he no longer desires to purchase the ensigncy. 466
- October 27,
Detroit. Capt. Campbell to the same. The successes in all parts of the world should bring about a peace; would not be sorry, as it is the only hope of being relieved from these posts. Provisions arrived; the company of Captain Hopkins is sent back to Niagara to save provisions. Is glad the General allows some trifles to be given to the Indians at the posts. Has sent accounts to the General; remarks on them. Sends returns, &c. 467
- October 27,
Philadelphia. Plumsted and Franks to the same. Are getting the necessaries ordered for his house. Mr. D. Franks is at New York to settle the accounts for carriage. Do not know how he will get on, as they are critically

1762.

nice in settling. Will in future be very sparing in advancing their own money on these accounts. A transport from Havana expected next week; suspects the men will be very ragged and sickly. Have asked leave to send up a salter (a man to salt and pack meat) but find it difficult to get one. Page 469

October 28,
The Warm
Springs.

Dr. Boyd to Bouquet. Had got through the woods from Bedford with a guide; there are no paths but the woods are free of underbrush and no mountains till the Potomac is reached. The distance is about 50 miles from Bedford. Description of the springs and the miserable huts, built without the least trace of taste or even of common sense. The good effects of the water; the wretched lot of people who come to the springs, to whom they are of no use, &c., &c. Is afraid he has asked for leave to go to Philadelphia at a bad time. 471

October 30,
Philadelphia.

Lieutenant Dow to the same. Has been ill. No word of the vessel with clothing which left New York on the 14th. Troops expected daily from the Havana. 477

October 31,
LeBoeuf.

G. Price to the same. His difficulties on the journey from Venango which he left on the 18th. Sends returns with remarks. Postlethwaite, suffering from a very sore finger and in danger of losing it, has been sent down to Bedford for treatment. The letter is dated the 21st but a comparison of dates in the text shows it to be the 31st as in the margin. 474

November 1,
New York.

Abraham Mortier to Barnsley. Sends accounts and shall continue to pay bills drawn on him from Niagara. 479

November 6,
Fort Pitt.

Bond by L. A. Levy in favour of James Gillespie, to secure payment of the balance due him by Mitchell. 480

November 8,
Philadelphia.

Baynton and Wharton to Bouquet. Thanking him for the promise to secure payment from Neut. 482

November 8,
Lower Sha-
wanese Town.

Alexander McKee to the same. That at a council meeting, the Indians resolved to carry all their prisoners to be delivered at Fort Pitt, except those who are sick. Fifteen Twightwees have arrived and report that at a private council of the Mingo and Delaware chiefs, it was resolved to strike the English living in their country and had sent a large belt and a bloody hatchet over the Lake to get the other Indians to join. No nations had taken hold of it but the Mingoes, Delawares and Shawanese. They (the Twightwees) had resolved on a contrary course and had come to return the belt and hatchet. [The letter, which is a copy, is signed, Alexander McGee, an evident error of the original copyist]. 505

November 10,
Philadelphia.

Alexander Lunan to the same. Thanks for care of letters. Social gossip. (The last page of the letter is at page 543). 484

November 11,
Philadelphia.

James Hamilton to the same. Respecting the delivery of the prisoners held by the Indians with whom he, acting as commissioner, had negotiated a treaty. That if the matter cannot be concluded by him, but by the military authorities as he (Bouquet) states, he is willing to have the matter settled in accordance with such forms as may be thought necessary, rather than have the restoration of the prisoners delayed. 496

November 12,
Philadelphia.

Capt. Barnsley to the same. The delay of sending off sergeant Clark, owing to the difficulty of getting money from Nelson. Has borrowed £2,000 which he sends for distribution among the companies. News of the various officers, where they are and what doing. 489

November 12,
Philadelphia.

Adam Hoops to the same. Summary statement of the accounts between them. 494

November 14,
Fort Pitt.

William Eives to the same. That he had left his mare, gun and other articles at Bushy Run, in charge of Andrew Byerley, who refuses to give them up. Asks for redress. 496

November 15,
Fort Pitt.

List of men discharged at this post in November. 497

- 1762.
- November 15, **Fort Pitt.** Lieut. A. Baillie to Bouquet. Asks that the claim for impressed horses made by one Young be settled by the General. Page 498
- November 16, **Presqu'isle.** John Christie to the same. To do nothing about purchasing, as he hopes to be promoted soon. 499
- November 16, **Fort Pitt.** List of bateau horses, &c., at this post. 500
- November 18, **Heidelberg.** Henry Geiger to Bouquet. Sending a letter for John Stein, a soldier in the battalion, respecting his portion of his father's property. If Stein be dead asks that a certificate to that effect be sent. 501
- November 19, **Fort Pitt.** Thomas Smallman, bond to account for skins sent him by John Bard, now claimed by Levy & Co. 503
- November 22, **Fort Pitt.** Capt. Ecuyer to Bouquet (in French). That in event of any further rumour of war on the part of the Indians, he proposes to put the fort in a state of defence, but asks for orders. Has sent for Croghan. 507
- November 23, **Detroit.** William Harris to the same. Complaining of not receiving his discharge when entitled to it. 508
- November 23, **Detroit.** Lieut. McDonald to the same. Applying for leave to purchase Captain Schloesser's company. 511
- November 23, **Detroit.** Capt. Campbell to the same. Recommends Lieut. McDonald to be allowed to purchase Capt. Schloesser's company. 513
- November 23, **New York.** Report by Robert Lake and J. Robinson on the account of Plumsted and Franks for the Western Department of North America. 514
- November 25. Memorandum respecting the Indians sent by George Croghan to Bouquet. His difficulty from want of money; sulky disposition of the Indians at present from the sudden stoppage of presents, &c., &c. 519
- November 26, **Philadelphia.** Lieut. Dow to Bouquet. Sends papers, &c. Has at last received the clothing. Only the sick from the Havana are to be here; the troops reported to be very sickly. Is afraid he cannot bring shot, but will bring some powder. 523
- November 28, **Fort Pitt.** Capt. Ecuyer to the same (in French). Sends returns. Croghan expected every day; he passed a party of 18 Mohawks, with a pass from Sir William Johnson, who are going to war with the Indians who are on the Spanish side. Escape of an Indian prisoner; the sentry has received 500 lashes. Had received an order to send off men to be paid and discharged, but has refused till he receive his (Bouquet's) orders. 523
- November 28, **Oaiatonon.** Edward Jenkins to the same. Had been ill with fever and ague and is now covered with itchy red spots; hopes to be moved to Fort Pitt in spring. Has bought a mare; has not been able to get Indian curiosities. &c., &c. 525
- December 2, **Tuscarawas.** Christian Frederick Post to the same. Sends some translations into Delaware, but he is more master of the Mohican tongue. The rest of the letter is a prayer for guidance and a lament that so few are ready to embrace Christianity &c, &c. 527
- December 5, **New York.** Col. W. Amherst to the officer commanding at Fort Pitt. A matross of the Royal Artillery at Detroit, has got a commission in the army; another to be sent to relieve him. 529
- December 7, **Niagara.** Dr. James Stevenson to Bouquet. Is pleased that he and Ourry are recovered from the accident. The garrison very healthy; no death for 14 or 15 months, but is afraid there will be sickness in spring, as there is no rum to keep off the scurvy. Applies for medicine, which his ignorance of how to get it has deprived him of. 530
- December 8, **Carlisle.** Francis West to the same. Asks to be paid out of Andrew Read's cargo the amount he owes for rum sold him. 532
- December 9. Certificate by Isaac Richardson, J. P., of the services of John Henderson, waggon master. 533
- December 10, **Fort Pitt.** George Croghan to Bouquet. McKee has returned. Some Shawanese chiefs are on their way with prisoners; McKee expects them all to be

1762.

delivered up, as he has a better opinion of the Shawanese than of the Delawares. The Indians confess to the belt reported by McKee (p. 505); it was got from the French officer on the Illinois; they had no intention to go to war, but it was time to defend themselves as the English intended to make war on them, and allege the refusal to sell them powder, &c., as a proof of this, and that as soon as all the prisoners are delivered up the war will begin. The Delawares have received a belt from the Susquehanna, have ordered their warriors to remain near home to hunt and are sulky. It is fortunate they are not on good terms with the Indians over the Lake, but if war should break out it would be general, as the Indians are jealous and never consider consequences. They expected great things and their poverty and mercenary disposition will not suffer them to bear a disappointment. Thinks that it will not be long before there is a quarrel with them, &c. Page 534

December 10,
Fort Pitt.

George Croghan to Bouquet. Desires to know the General's determination as to the expenses of the Indian Department, so that he may know whether to continue or resign, as he will not be continually begging for necessaries, and will not pay the expenses out of his own pocket &c. 537

December 10,
Fort Pitt.

Capt Eouyer to the same (in French). Has had a visit from a band of Indians; he could give them no presents, but as they were at war gave them some powder and lead and a few knives. Has received a report of the drowning of six men returning to Detroit from Michillimakinak. Prisoners not yet arrived. Has still four deserters in the guard house; wishes they were hung. Has stopped the sale of rum brought in after he (Bouquet) had left, the sutlers believing they could do any thing in his absence. 538

December 30,
Fort Pitt

John Ormsby to the same. Report of renewed Indian hostilities, but hopes a strong reinforcement will arrive in time to strike terror into those infernal bloodhounds. The good character of Eouyer, the commandant. Money wanted. 540

1763.
August 30,
Philadelphia.

Baynton and Wharton to the same. Sends letters received from Newfoundland. Congratulates him on his arrival at Fort Pitt, after chastising the savages who attacked him, &c., &c. 392

1764.
November 14.

A. Baby to the same (in French). Thanks for his kindness and attention and offering to be of service. 495

No date.

Note of goods belonging to William Summerfield. 541
List of men discharged by Major Gladwin belonging to the 1st battalion Royal Americans. 542

Names of the men who served in the Maryland troops and were enlisted in the 1st battalion Royal Americans. 544

Memorandum by D. Franks to Bouquet. Respecting flour, &c. 545

LETTERS TO COL. BOUQUET.

1763—VOL. VII—PART 1.

A. 19—1.

B.M., 21,649.

1763.
January 3,
Philadelphia.

Lient. Dow to Bouquet. Hopes for his speedy recovery. Certain bills paid, but that at the Black Horse he thought extravagant. Page 1

January 6,
Philadelphia.

Richard Peters to the same. That there can be no settlement of his accounts till they are examined and audited; this should be done whilst all the facts are known and most of the persons alive, as delay may give trouble. Respecting Monckton. No peace yet, but negotiations likely to produce one.

January 8,
Fort Pitt.

George Croghan to the same. Some parties of Indians gone to war. Eouyer gave them a small quantity of powder and lead. Scarcely

1763.

- powder among the traders; hostile intentions of the Indians, but they are not yet united. Only four prisoners delivered up by the Shawanese; hopes to get all in spring; has not the same hopes of the Delaware. Asks instructions as to giving presents to the warriors. Page 4
- January 8,
Fort Pitt. Capt. Bouyer to Bouquet (in French). Sends returns and report of a court martial. Has received the letter from Lancaster; it seems an eternity since he came to Fort Pitt. Prisoners delivered up by the Indians; Six Nation warriors passing to go to war with the Indians who are on the side of the Spaniards. Asks for instructions as to giving them powder, &c. A club meets every Monday and there is a ball every Saturday. If the punch is not strong enough, the ladies have the whiskey at their disposal. 6
- January 8,
Fort Pitt. William Potts to the same. Respecting a boy who was to have been engaged as a servant. Deserters from Presqu'Isle have come in and been punished. Six men drowned on Lake Huron. Account of the weekly dancing assemblies. 9
- January 9,
Westover. Col. George Mercer to the same. Describes the agreeable party that is with him. Urges the settlement of certain accounts which have been left unpaid for three years and will not be paid till his (Bouquet's) certificates are received. 13
- January 16,
Niagara. Capt. Schlosser to the same (in French). The communication between this post and Fort Pitt has been closed since the 15th October last. Complains of double dealing on the part of Sir William Johnson with respect to the purchase by Carre of the company of Capt. Clair, and of the farm he (Schlosser) was persuaded to purchase, but which he now declines. Declines now to sell his commission, and asks that the letter of resignation be returned. Illness of Ensign (William?) Hay, of whose recovery the doctor has no hope. 20
- January 17,
New York. Bouquet to Amherst. That he had settled and received a certificate of the settlement for the money placed in his hands by General Stanwix, to supply money to the managers of the transport service in Virginia and the eight counties of Pennsylvania. Lest doubts should arise is anxious to have the accounts examined and settled by his (Amherst's) commands. 24
- January 18,
Fort Pitt. Ralph Phillips to Bouquet. Asks for his interest to enable him to purchase in an old regiment. 12
- January 21,
New York. Amherst to the same. Has received a proclamation declaring the cessation of arms, in consequence of the preliminaries of peace signed on the 3rd of November last; to communicate the same to the different posts. 26
- January 22,
Philadelphia. Lieut. Dow to the same. Has sent packet to Fort Pitt; Sergt. Clark to send return of clothing. Respecting Bouquet's servant, &c. 27
- January 22,
Philadelphia. George Croghan to the same. Has returned from New York. A letter from London, of the 19th November, gives a list of promotions. The armies preparing for winter quarters, and there was a talk of several regiments being raised, so that there would be no peace soon. (This letter apparently by mistake among those of 1763. The preliminaries of peace were signed on the 3rd November, 1762). 29
- January 23,
New York. Amherst to the same. That he cannot order a re-examination of the accounts (p. 24). If he thinks anything is wanting, he ought to apply to General Stanwix. 30
- January 23,
New York. Bouquet to Plumsted. Asking him to have a search made for a packet of vouchers entrusted to Hamilton, a clerk, in November, 1761, for General Monckton, but never delivered to the General. Asks that all information may be obtained respecting the packet. 31
- January 24,
Fort Pitt. Geo. Croghan to Bouquet. Shawanese delivering up prisoners. Some of the chiefs are to stay and hunt till the last prisoners are brought up

1763.

in spring. The social amusements of the post. Has drawn for two sums of £100 each. Page 32

January 24, Michillimackinac. Captain Etherington to Bouquet. Return sent. Lieut. Jamet reports a fire at the post of St. Mary's, which blew up the powder and completely destroyed the fort, provisions, &c. The garrison has been sent here. Mr. Jamet has lost everything and was so severely burned that he was obliged to remain at St. Mary's without clothing. Shall send an Indian sleigh for him. 33

January 25, Charlestown. Mrs. Fesch to the same (in French). Thanks for his letters and friendship. Will leave for Europe in spring. Will leave the country without regret, where she has suffered so much, &c., &c. 35

January 25, London. A note of the same date is added by Capt. Fesch. 37
Anna Fitzgerald to the same. Asks after her son by a former marriage—Sergeant Clark. 39

January 26, Fort Pitt. Capt. Ecuyer to the same (in French). All quiet here, but at Fort Bedford Ourry's corporal and five men are in prison for having robbed the store. Has sent a detachment to relieve these rascals and a party to escort them here. The ammunition has also been stolen, but that, it is believed, has been done by the inhabitants. Sends returns. 40

January 28, Carlisle. List of letters sent by the new express. 41

January 30, Westover. Col. George Mercer to Bouquet. A private letter, giving an account of the pleasant state of society in Virginia, their desire for his presence, &c. 42

February 4, Fort Pitt. George Croghan to the same. Has been at some expense, but not much, and there shall not be much more. Remarks on the General's objections to his accounts, that the interpreters had not been paid since they were first employed. He did not employ any of them and as the General objects to their accounts, he shall take no more trouble about them; nor was it his business to pay any of them, though he had advanced money for that purpose, and asks that the commanding officers at Fort Pitt and Detroit pay them in future, as he will not advance a farthing. Thinks it cruel of General Amherst to act as he has done about expenses for the Indian Department. Capt. Ecuyer will send the account given by the Indian chief of the belt sent last summer to the Indian nations. Thinks that McKee, now among the Shawanese, will bring up the prisoners in March. Does not believe the Delawares will bring in their prisoners unless the Shawanese bring in all theirs. 45

February 4, Fort Pitt. Ralph Phillips to the same. Has been appointed to manage the affairs of the late Captain Mather; asks that the money from the sale of his effects, his papers, &c., be sent. His anxiety lest he should be put on half pay by the peace, but hopes that his (Bouquet's) friendship may avert this. 49

February 5, Fort Pitt. Thomas Hutchins to the same. Thanks for obtaining him leave of absence to go to Carolina; but was disappointed at its being countermanded. Still hopes he may be able to succeed through his (Bouquet's) intercession in obtaining leave to make the journey. 51

February 6, Fort Pitt. William Potts to the same. Offers to purchase an ensigncy for his brother John. 53

February 6, Ligonier. Lieutenant Blane to the same. Explains why he cannot sell the flour; its poor quality. 54

February 7, Fort Pitt. Lieutenant Carre to the same. Requests that he may obtain his company leaving the succession to the ensigncy vacant in the meantime. In a P. S. he says that Potts would purchase the ensigncy for his brother. 57

February 8, Fort Pitt. Captain Ecuyer to the same. Indians sent off to Detroit with dispatches; one sent to Venango with instructions to send the General's orders to LeBeauf and Presqu'Isle; orders also sent to Sandusky. As

1763.

the Virginian regiment is disbanded he has been obliged to send a corporal and four men to keep the King's stores. The men at Red Stone are deserting every day; is he to keep garrisons from the battalions at these two posts? Has relieved the whole detachment at Bedford, accused of robbing the King's stores; will have the men punished. Another has been punished for theft, &c. Deserters tried. The flour is worthless, even the cattle will not eat it. Eight prisoners brought in by the Indiana. Holds his position only by a thread, owing to the expected reduction.

Page 58

- February 10, Without signature or address, apparently to Bouquet, written in the warmest terms (in French). 61
 Rolles.
- February 16, Colonel W. Amherst to Bouquet. Returns received. The report of the Court of Inquiry is returned that further steps be taken. 69
 New York.
- February 17, James Robertson to the same. Respecting a purchaser for Carre's lieutenantancy. 70
 New York.
- February 20, Hugh Mercer to the same. Recommends Dr. Spencer who expects to be surgeon's mate of the battalion. It is reported that provincial regiments are to be raised and maintained for the defence of American acquisitions. Would like something genteel in that way rather than the drudgery of business. 71
 Fredericksburgh.
- February 21, Sergeant John Burnet to the same. Reports that the trees are planted, the meadows cleared, &c. Thanks for past kindness and for future favours. 72
 Fort Pitt.
- February 21, Capt. Ecuyer to the same (in French). Respecting dispatches; Capt. Campbell's people will be employed all summer on the lakes. The Delawares have sent word that they will bring in all the prisoners in spring. No appearance of a flood. 74
 Fort Pitt.
- February 22, Sir John St Clair to the same. Has been confined to bed. Respecting Beloit. accounts for expenses, &c. Ourry to make out his accounts. 75
- February 24, Capt. Cochrane to the same. Had shown Col. Robertson the part of New York. letter respecting Carre; as he would see from Robertson's letter (p. 70). It seems that at least two battalions of the Royal Americans are to be kept up. Has been ordered to move as little as possible and is to keep confined to his chair. 77
- February 24, Lieut. Blane to the same. Has sold no flour, money being scarce here, Ligonier. &c., &c. 78
- February 25, Lieut. Dow to the same. With his resignation as Quartermaster. 79
 Philadelphia.
- February 27, Capt. Cochrane to the same. Respecting letters sent through Mr. Folliot. 56
 New York.
- February 28, George Croghan to the same. Swaine gone down to purchase liquor for the garrison; he has admitted Sergeant Clark to a share of the profits. 80
 Fort Pitt.
- March 5, Major Wilkins to the same. Death of Ensign William Hay. Application of Sergeant Major Butrich for the ensigncy. Has written repeatedly, but does not know if his letters have been received, &c., &c. Account of the liabilities and assets of the late Ensign William Hay. 81
 Niagara.
- March 8, Thomas Mather to the same. Respecting the affairs of his deceased brother Richard, for whose estate he is executor. 84
 Chester.
- March 11, Capt. Ecuyer to Col. Amherst (in French). In consequence of the height of the river had removed the stores and ammunition to the upper storeys. On the 8th at eight in the morning there were six inches of water in the fort. At two in the afternoon he sent two officers and 30 men to the rising ground, with a fortnight's provisions for the whole garrison. Had all the boats ready to remove everything from the fort, when the water abated; all the provisions, &c., safe and in good order, but the timber prepared for building bateaux has been carried away;

1763.

some badly constructed houses have had the same fate. Is now repairing the damage done inside and outside of the fort; it is only trifling. The news of peace has been like a thunder clap to the Indians, who are more attached to the French than to us. Page 85

March 11,
Fort Pitt.

Capt. Ecuver to Bouquet (in French). Details of the flood at Fort Pitt reported to Col. Amherst. Thomson, the tanner, and Shepherd, the carpenter, drowned, the one at Turtle Creek the other at Two Mile Run. 87

March 12,
Ligonier.

Lieut. Blane to the same. Thanks for instructions about the flour. Has received advice from Ecuver of the second flood at Fort Pitt. Ecuver has lost his forage; can supply him. 90

March 13,
Fort Pitt.

William Potts to the same. Thanks for offer of service. Respecting his brother's application for the ensigncy and the purchase of a company by Lieut. Carra. Explains errors in return, &c. Respecting returns from Niagara, &c. 91

March 16,
London.

J. Calcraft to the same. That the two senior battalions of the Royal Americans are to be continued. 93

March 19,
Fort Pitt.

Capt. Ecuver to Bouquet (in French). Reports the fire at Lieut. Jamet's post of St. Mary (p. 33). His annoyance about returns. Has employed the coopers making barrels for sending off provisions. Has replanted the trees and closed the garden, as he does not expect to enjoy it. The people are grumbling at the last order that they are to work without pay and do so with a bad grace. Every one dissatisfied since the flood about lodgings. The merchants have lost nothing; he assisted them with all his power, although he does not think they deserved it. Hutchins has left for a short time. Has determined not to sell his commission, but as it is clear he will be put on half pay, hopes it will be as soon as possible. It seems cruel to send an officer so far and then to reduce him; it would ruin him. His journey from Quebec here cost him 50 guineas. Sends vouchers, &c. St. Patrick's day was observed in such fashion that Croghan was not able to write. 94

March 19,
Fort Pitt.

George Croghan to the same. That as few presents as possible have been given to the Indians. He has himself spent £100 of his own in presents. The great uneasiness of the Indians on account of late British acquisitions; does not approve of Amherst's plan for distressing them. Had written to Sir William Johnson that if he (Croghan) had not leave to go to Britain to obtain restitution for the losses by French depredations, he will have to resign, and by Amherst's plan there will be no need of an agent. Sends vouchers for payment; if Amherst does not authorise it, he supposes he must bear the loss. Will not go down the river as he wishes to go to England and, besides, he will not meet the Indians, with no power to deal with them creditably. (The letter is full of expressions of dissatisfaction with General Amherst's course.) 98

March 19,
Fort Pitt.

Same to the same (private). Is sorry that the tracks were not run out; will do so next month. His views of the steps that will be taken by the Indians should settlements be made without paying for them and that the French will do everything in their power secretly to give the Indians a bad impression of the British. At least 50 Indians should go with him; will send young McKee, who is modest and a good interpreter. The Cherokees are hostile, but have been kept quiet owing to the war carried on against them by the Western nations. 101

March 23,
Philadelphia.

Matthew Clarkson to the same. Presenting a map of Louisiana, dedicated to him (Bouquet). 103

March 24,
Bedford.

Thomas Hutchins to the same. Is so far on his way to North Carolina. Hopes to be at Fort Pitt by the 25th of April. Refers to burning of the post at St. Mary's and the flood at Fort Pitt. 104

March 26,
Quebec.

Lieut. James Grandidier to the same (in French). Has heard of his arrival at New York. Death of Sacrelaire, who induced him to come to

1763.

- America with him (Bouquet), where all sorts of misfortunes have overtaken him, of which he gives a detailed account. Page 105
- Robert Callender to Bouquet. Has delivered the warrants to Colonel John Armstrong, who will not promise to make the survey till some time in May. Has given orders about the four horses to be bought and sent to the Miamis. Has sent some peltry. 108
- March 27, Cumberland. George Croghan to the same. Is glad he has got out the warrants for the lands at Trough Creek Vally; those near Bedford and the Big Spring are in the Surveyor General's office, but fears those given to Col. John Armstrong are burned. How he settled with Mr. Fay for the lands. Mr. McKee is with the Indians; they and the prisoners have not yet arrived; his (Croghan's) brother has found a copper mine. Think his resignation will be accepted, as there is no need now for an agent in these parts. 109
- March 30, Fort Pitt. Capt. Ecuyer to the same (in French). Respecting the pay and allowances for the care of the bateaux. Has written to Basset for articles required. Has intended that all owing for flour purchased from the King's stores are to pay by the 15th April, if not they will be sold out, as nothing is to be done with this race by mildness. Is tired of Fort Pitt, where the winter seemed very long. 111
- March 31, New York. Capt. Cochrane to the same. That Carre must make his arrangements with Schlosser for the purchase of his company, as Claus declines to sell out. Has been out a week ago, but walks little, being cautious not to hinder his recovery. 113
- April 1, Ligonier. Lieut. Blane to the same. Respecting the sale of flour. 114
- April 7, Carlisle. James Mallister to the same. Has surveyed for a road in the mountains from Fort Littleton to Carlisle of which a description is given. 115
- April 9, Fort Pitt. Capt. Ecuyer to the same (in French). McKee reports that the Shawanese are not so well disposed as they were, and the Delawares have sent them a message not to deliver up their prisoners till it was seen what turn things will take by the peace. They will, however, come with five prisoners escorted by 100 beggars; they shall be received very coldly. The building of the bateaux getting on slowly for want of material, &c. Has found his (Bouquet's) snuff box, which had evidently been stolen at the time of the flood by a negro cook, who had broken it up and buried the pieces near the kitchen. Has been obliged to place Lieut. Donelan and Surgeon Boyd under arrest for fighting, but released them on agreeing to give up the quarrel. 116
- April 11, New York. Col. James Robertson to the same. Respecting the question of Capt. Claus selling his commission, as Amherst has refused to sanction his absence to join the Indian Department. Carre ought still to retain his lieutenancy as two of the battalions of the Royal Americans are to be reduced, and as an old lieutenant he will be kept on full pay. Reports of what is to be done with the different regiments. 119
- April 13, Lancaster. Capt. Hambright to the same. Send two rifles, &c, by William Sitzler, whom he recommends for employment. 121
- April 13, Philadelphia. Lieut. Dow to the same. Sends letters, &c. 122
- April 14, London. Capt. Ridge to Haldimand. Asking what became of the money for his commission. The reduction of the army will place him on half pay. Resignation of Lord Bute and other ministerial changes. 123
- April 20, Fort Cumberland. Sergeant McDonald to Bouquet. Asks for leave to occupy the house at Fort Burd, so that he may cultivate the fields he has cleared. 125
- April 20, Detroit. Capt. Campbell to the same. Refers to the promise that he should be relieved, if he is not to command here again. Gives him joy that his battalion is to stand. Returns sent. Since word has arrived of peace, all the soldiers entitled to discharge have applied for it. Lieut. McDonald's unfortunate love affair. The doctor thinks he could get over it if

1763.

he were sent away; asks that he be sent to Fort Pitt. The Delawares greatly exasperated and threaten mischief. Page 126

April 23,
Fort Pitt.

Capt. Ecuyer to Bouquet (in French). Has sent his mare to the farm. Had sent four horses to Ligonier; they are returning with iron, tools, &c. Has ordered Blane to send all the King's horses here but he says he has none, all the horses there being his own. Respecting the blacksmith's tools, &c. Can get no answer from Capt. Basset, who is very lazy. The industry of Burent; has been obliged to employ coopers as casks are wanting. The order to pay for flour, &c., on the 15th April has been disregarded; will be obliged to take sharp measures with the debtors. Has had great trouble hunting up tools, &c., belonging to the King, yet old Clapham's house is full of them and he has cheated in other ways. McKee's declaration of what took place among the Shawanese; it has been absolutely necessary to give them powder, &c. The Illinois and other Indians are opposing the passage at the instigation of the French. Soldiers asking their discharge. Indians leaving dissatisfied, although their consumption of provisions has been enormous. Asks for good flour. 128

April 23,
Fort Pitt.

George Croghan to the same. Three chiefs, with 122 warriors, came in to deliver up five prisoners. Sends ores to be tested. 132

May 4,
Fort Pitt.

Capt. Ecuyer to the same (in French). Sends a parcel received from Detroit, with a speech from the Miamis to Holmes. Croghan is at Bedford, and proposes to go to Carlisle; hopes he will soon return, as these rascals of Delawares are assembled to hold a great council about the delivery of prisoners. Major Gladwin writes that he (Ecuyer) is surrounded with rascals and complains of the Delawares and Shawanese as the scum who set the others in motion. Has seven bateaux in the water. 133

May 4,
New York.

General Amherst to Officer commanding at Pittsburg, enclosing public orders for publication. 134

May 6,
Ligonier.

Lieut. Blane to Bouquet. The returns will show that he has sold the flour that was in the greatest danger. How the sales were made. 135

May 20,
Fort Pitt.

Lieut. Potts to the same. That his brother has been provided for by the interest of Sir James Lowther, so that his application to purchase Carre's lieutenantancy must be cancelled. 136

May 29,
Fort Pitt.

Capt. Ecuyer to the same (in French). A large party of Mingoes arrived at the beginning of the month, and delivered ten bad horses; they asked presents, which were refused. The Mingoes and Delawares sold peltry to the amount of £300, with which they purchased as much powder, &c., as they could get, and have gone apparently down the river to stop the passage and intercept the bateaux. They have been committing robberies at Bushy Run, &c. Is putting the fort in the best posture of defence. Arrival of Hudson, with six recruits; 20 bateaux now in the water. It is just reported that the Indians have killed Clapham and all in the house and plundered everything; the three men who brought the news were at work and escaped through the woods. Arms sent to the people at Bushy Run. Byerly warned to leave or he would be killed in three or four days. Is afraid of the small posts, but can answer for this. If no letters are received, it is an evidence that the communication is stopped. 137

May 30,
Fort Pitt.

Same to the same (in French). Massacre of the men at the saw mill; a tomahawk left as a declaration of war. Daniel Collet brings word of the massacre of Thomas Cohoun [Colquhoun] and his party at Beaver Creek, having left Tuscarawas by order of King Beaver. The Indians report Sandusky taken and the officers prisoners, and that Detroit was attacked. He believes the affair to be general, and trembles for the posts; he is surrounded by Indians but is neglecting nothing. He is to

1763.

be attacked to-morrow morning, but is passably ready; has formed two companies of militia, numbering 80 or 90 men, and has collected the cattle. www.libtool.com.cn Page 140

May 31,
Fort Bedford.

Capt. Ourry to Bouquet. Whilst engaged in repairing the stockades had received the disagreeable news from Ecuyer; has mustered the militia and prepared cartridges, &c. Has only a corporal and six men; has sent to Juniata for two men, leaving only a corporal and one man there. There are only 36 men fit to bear arms and 19 guns in the town; very little powder; has sent to warn in the settlers; shall do his best to prevent surprise. The Wolf's half brother came in on pretence of returning a horse and wanted to buy powder, which was refused. If he has not gone off he will be secured, when this is written and sent off; nothing can go without an escort. Can expect no reinforcement from above, but supposes troops will come from below. 143

June 1,
Fort Bedford

Same to the same. At the old trade of express upon express. The weakness of the communication, &c., have induced the Savages to renew their hostilities; from Fort Pitt to this is still quiet; are preparing to receive the enemy. Hopes that if they attack Pitt, they will leave so many on the esplanade as to discourage them, but does not depend on that. Any troops coming must bring powder; the traders here have not an ounce. The militia are armed and guard the town, as he does the fort where he is trying to save all the rain that it shall please God to send, in case of a blockade. Has written to the magistrates at Carlisle how much it concerns Cumberland County to strengthen his hands. 145

June 1,
Fort Pitt.

Intelligence brought to Fort Pitt by Colhoun of a message by Delaware Chiefs, delivered at Tuscarawas on the 27th May, that all the English at Detroit were killed ten days ago; all the white people at Sandusky five days ago, 19 in number; the only persons left alive were the officer taken prisoner and a boy, who escaped; at the mouth of the Twightwee Hugh Crawford and a boy are prisoners, six men killed at the Salt-Licks, five men killed five days ago. Had seen tracks from Sandusky, which they believe to be those of a party coming to cut off him (Colhoun) and his party. They advise that he and his men make their escape, and their goods would be kept safe for six months. Neither Croghan nor any of the great men are to ask them (the Chiefs) about the news. The Indians who have taken up the hatchet are the Ottawas and the Chippewas. They (the Delawares) thought that peace had been made by the King, and they had joined in it and would not be led into war, and they ask that no warriors (soldiers) be sent till they can remove out of the way. An Indian guide sent with Colhoun told him that Detroit had been attacked, but not actually taken, probably from about the 13th to the 17th, and that during the four days the Indians had not met with much success, but that they were determined to persist till it was taken. The Chiefs refused to let Colhoun and his party take arms, and he believes that their guides led them into an ambuscade from which they were fired at, and from which only he and three of his people (out of 14) escaped. 147

June 2,
Fort Pitt.

Capt. Ecuyer to Bouquet (in French). Two settlers sent to Venango were attacked a mile and a half from this post and one wounded. Two young men have carried an order to the sergeant to get all the settlers to join here, bringing 600 pounds of powder and 1,000 pounds of lead taken there a few days before by a trader; they are to come either by water or through the woods and not to destroy the fort. Hopes the Indian priest will send a good party; he sent word he was bringing a party when he had sent his wife and cattle to Fort Cumberland. The two men from Bushy Run have gone to Ligonier; three settlers have left for Venango. His own garrison is 250 men, regulars and militia, all resolute men. Has little flour; the settlers receive half rations of bread and a little more

1763.

meat; the poorest women and children some Indian corn and meat. The cattle are all brought in and are dealt out so as to save the salt meat for the last resource. The Indians are about a mile off, but have not appeared. The good services of the trader, Trent, and of Burent. Gives an account of the work done for defence; the arrangement of the militia, &c., and the precautions taken to prevent surprise. Has expended all his own money and wants a little rum for his people. The three men from Venango were obliged to return after going 20 miles. Page 152

June 3,
Presqu'Isle.

Lieut. Christie to Lieut. Gordon, Venango. Cuyler, of the Queen's Rangers, reports that his whole party was cut off by the Indians at the mouth of the Detroit River. He left Niagara on the 13th May with 97 men, consisting of Surgeon Cope and 17 men of the Royal Americans, the rest rangers. There were killed Cope and 15 men, Sergeant Frolinger and 42 of the rangers, one woman and child; himself and three men wounded, two since dead. Had lost all the provisions and eight bateaux. On getting to Sandusky he found it burned to the ground. God knows what has become of Pelly and his party. Schlosser at his post met the same fate (as Sandusky). Has sent to Niagara for ammunition, and has kept six men of Cuyler's, as he expects a visit from the hell hounds. Has ordered every one into the blockhouse and shall be ready for them. 157

June 3.

Robert Callender to Bouquet. The Indians have broken out about Pittsburg; the garrison in want of powder. Expects a waggon load this way (no place given), and shall send ten horse loads to Capt. Ourry. Will try to get men to assist, but they are lulled into too great security to hope for any help. 159

June 3,
Fort Bedford.

Ourry to the same. Has had no bad news since his last letter. No Indians on the communication but two, who, with two squaws and two children, were brought in by a scouting party. Has received plenty of subsistence from the country people; the difficulty he had in getting them to remain in the fort, owing to their fear of the Indians; has lodged, victualled and armed them. There are 93 families in the fort, and the militia rolls show 155 men. The regulars are 3 corporals and 9 privates. Has patched up two drums and the parade makes no small appearance. Plenty of water, and gutters prepared to catch the rain. Everything prepared for an attack. 160

June 4,
Ligonier.

Lieut. Blane to the same. The Indians have been firing since Thursday last, but too far off to do harm. Had fired the houses which gave them shelter, so they have disappeared. All the inhabitants from Bushy Run to Stony Creek are safe here. Hopes the General will consider their services and losses. Five of the pack horse men from Fort Pitt are missing. 163

June 4,
Philadelphia.

Plumsted and Franks to the same. Have ordered cattle and flour to Fort Pitt. An escort required. 165

June 5,
Philadelphia.

Bouquet to Ourry. Has sent an express to the General for troops to Fort Pitt, and has applied to Governor Hamilton, who has written to the magistrates of Cumberland County to assist. Has written Callender to send ten horse loads of powder. Water may be taken from the creek to put out fires, as there are plenty of casks, &c., &c. Wishes those scattered in the woods could as easily be relieved. 166

June 5,
Philadelphia.

Same to Ecuyer. Troops will be ordered for his relief with the greatest dispatch. Is not afraid of a direct attack; he must guard against surprise, as well in the fort as by patrols at night, the men resting through the day. The ship carpenters to be discharged when they finish the 20 bateaux, &c., &c. 168

June 5,
Philadelphia.

Same to Callender. An escort is needed for the powder to Fort Bedford. The people of Cumberland to supply it, who must, for their own interest, support the post till troops can be sent. 170

1763.
June 7,
Fort Bedford. Ourry to Bouquet. Can defend the post unless the country people desert, in which case superior numbers might tire to death his dozen Royal Americans. Never lies down himself till about 12, since the alarm, and by two or three in the morning is walking about the fort, turning out the guards, &c. Has got the cattle secured. His difficulty to keep the undisciplined militia from straggling; they are still in good spirits, but don't know all the bad news. What he has done to the fort. He fears much for Ligonier. Longs for Indian scouts with news, but still more for red coats. Page 171
- June 8,
Carlisle. George Croghan to the same. That as he predicted, the Delawares have all declared against us. Has written Sir William Johnson. Report from Fort Augusta that the Susquehanna Indians have summoned the garrison to remove or they will cut them off. Proceeds to Fort Bedford, and will try to get an escort for the powder. 173
- June 9,
London. James Mann to the same. Sends bill of lading for the clothing for the Royal Americans. 174
- June 9,
Fort Bedford. Ourry to the same. Is afraid his letters may not reach. Supposes he is now on the road, so shall write direct to Amherst. The terror among the inhabitants caused by a false alarm, which arose from the burning of houses by Lieut. Blane (p. 163) at Ligonier. The alleged 50 hostile Indians turn out to be those sent out by him (Ourry) as a scout. The inhabitants of the town are hearty but the settlers who have fled from their plantations are wavering, but he has managed to reassure them. Are living on fresh beef to save salt provisions and do not kill the sheep, as they can be kept in the fort; he has had biscuits baked for the scouts, &c. Does not believe the Indians will attack the fort but is prepared. The garrison of Fort Burd, with the settlers and goods, has arrived safely at Fort Cumberland. The sergeant threw the powder into the Monongahela and buried 900 pounds of lead. Major Livingstone's post is defensible and he has formed two companies of militia. Is sending for a drove of cattle from Cresap's for Detroit. The signals he has arranged for the friendly Indians. 175
- June 10,
Ligonier. Lieut. Blane to the same. Recapitulates the contents of former letters. Hopes that succours will be thrown in by the 16th. Can only ascribe Ecuyer's silence to the watchfulness of the Indians. 180
- June 10,
Fort Bedford. Ourry to the same. Letter received; has written to Ecuyer by a militia man. His scout returned after going 40 miles without seeing an Indian. Sends to Amherst statement made by John Hudson, an Indian brought in the other day. If the Province intends to raise troops it may have two companies complete here in two hours, and this he has mentioned to Governor Hamilton. 182
- June 11,
Shippensburg. Croghan to the same. Report of the people in Path Valley being all murdered and their houses burned and that Fort Ligonier was taken and burned, but this last contradicted, and two men from Path Valley say that no Indians have been there; the people are greatly alarmed, but have returned to their houses. Has engaged a garrison for Fort Lyttleton to prevent its being taken. Is going to Fort Lyttleton and if General Amherst does not approve of the garrisoning and that he (the writer) has to pay it himself, he may discharge the men at the end of the month. The only Indians concerned about Fort Pitt are the Delawares, and it appears that they wish to deny it, should the plot miscarry. There is nothing about the attack on Detroit but what the Delawares report. Should the outposts be taken there is no doubt the Indians will fall on the frontiers, unless there be a sufficient check soon. If Detroit is attacked, as reported, it must fall, unless the French assist, which he believes they will not do, being convinced that the French and the Illinois have been stirring up the Indians. Has asked Amherst for

1763. orders regarding the French at Detroit. (For Croghan as the writer see p. 214). Page 184
- June 13, Carlisle. Col. John Armstrong to Bouquet. Has only seen Trent's letter to his wife and the Indian speech to Colhoun about the Indian depredations. All things will work for good, though bloody scenes may be at the door. Is distressed for the state of the frontiers. Is setting off for the north side of the hills, to prevent a ruinous and shameful flight. Remarks on the necessity for issuing commissions should the war become general, &c. 188
- June 14, Amboy. Major Allan Campbell to the same. Is on the march to Philadelphia with two light companies, and has sent Lieut. Grant, the bearer of this, for orders. 191
- June 14, Philadelphia. Bouquet to Ecuyer. Troops are sent for his relief. His satisfaction at the measures taken to put the fort in a position of defence. Acknowledgments of the zeal and bravery of the garrison and inhabitants. Burent's services shall be recommended. The blundering of the savages in not attempting to surprise the posts; their lies about Detroit lead to the hope that Sandusky is not lost. Flatters himself that Venango and Le Bœuf can be disengaged if they have provisions. Hopes to see him as soon as possible. 192
- June 14, Philadelphia. Same to Blane. His post can be in no danger with the prudent measures he has taken. Has recommended the case of the people in the garrison. Troops are on the march to relieve the post. The Indians will not attack openly, but by surprise, so he is in no danger. If he cannot protect the horses they might be sent to Bedford. 193
- June 16, New York. Report on the qualifications of Mr. Spence as a Surgeon's mate. 195
- June 16, Fort Pitt. Ecuyer to Bouquet (in French). Doubts as to the letters reaching, as there are Indians enough to intercept the communication. Report that Fort Burd is abandoned; Croghan's and Thomson's houses burned. Will retain the post, and save his people, by not exposing them improperly. The fort is so crowded that he is afraid of sickness, and as the small-pox has broken out, he has built a hospital, which is ball proof. Has received news of the attack on Cuyler (p. 157). The formidable preparations at the fort described, as well as the great labour and fatigue of the men to carry on the work, but none complain. How he has arranged his garrison, and details the manner in which the work was carried on. His obligations to Mr. Trent. Hopes Detroit may be defended, but provisions and ammunition are scarce. Trusts that a large body of troops may be sent, not small detachments, which are cut off, thus sacrificing many lives. Attack by Indians on the 15th. Blane was attacked by Indians on the 2nd of June, but unsuccessfully. There appear to be few Indians about here, wishes they would try to assault, even were there 5,000, for the more they were the more would be killed. All his people are on the alert, and ready on the least sign. Has been obliged to stop building bateaux since the Indians appeared. The carpenters have been a great help on the works. Capt. Buny (?) sends word that part of his garrison—30 men—will be here shortly. Arrival of four rascals of Shawanese from the other side of the Ohio. They will receive nothing but bullets. 196
- June 16. Major John McNeill to the same. Has heard of his welfare through Hutchins. Would gladly come down the river, but the legislative body has put it out of his power to do so in a proper rank. Hopes the fate of Clapham and others will induce the Province to raise a battalion &c., &c. 202
- June 16, New York. General Amherst to the same. That Mr. Spencer (Mr. Spence at p. 195), has been declared qualified to act as Surgeon's mate. Does not

1763.

- approve of burning houses at the posts on the arrival of a few ill armed Indians. Ourry does well to receive the settlers, but he cannot put much trust in them. The light companies of the 42nd and 77th on the march; others assembled at Staten Island to go south, but they are greatly reduced, the whole remains of the nine companies of the 77th being only 80 men. Reports from Niagara; will put things to rights there, he (Bouquet) to attend to the department of Fort Pitt. Page 203
- June 17. Lieut. Blane to Bouquet. Has had no letters, but hopes soon to see himself. A straggler killed on Sunday by the Indians, three of whom found access to the necessaries, but were discovered. The communication between this and Fort Pitt is, he believes, cut off. Wishes that he (Bouquet) were at Fort Pitt, as it would probably restore tranquillity. Should this last much longer, the poor inhabitants will be completely ruined, &c., &c. 205
- June 17. Geo. Croghan to the same. Believes Fort Pitt invested, but does not believe the Indians can long remain there. The Delawares have begun this war and if the Ottawas and Chippewas attack Detroit, it will be found that the French knew of their designs. Imagines that the Delawares will cross the lakes or the Mississippi at the instigation of the French to get population and secure the Indian trade. The Delawares have been very insolent since the last treaty, and the Quakers have done more mischief than he or the other Indian agents can repair. Thinks also that if the Six Nations knew anything of it they kept it secret, to break off the connection with the Delawares, of whom they are very jealous, &c., &c. 207
- June 17. Callender to the same. Respecting a patent for certain lands. Asks to be employed should the troops come here. 210
- June 18. Capt. Ecuyer to Bouquet (in French). The four Shawanese (p. 201) Fort Pitt. have had another talk with McKee, who gives credit to their statements, but he cannot believe such vagabonds. Can only see a few Indians about. They may come when they like, as the post is in good condition. 211
- June 18. George Croghan to the same. Cannot say how long the militia will Fort Bedford. remain, as they have but little provisions. His opinion of the origin of war. If the Delawares, Munceys and Mohicans in the different governments were seized and notice sent that they would be put to death if the war continued, he believes it would stop the shedding of innocent blood. Asks that the proposal be sent to the General. 212
- June 18. Capt. Ecuyer to the same (in French). Remarks on the carpenters, Fort Pitt. accounts for their work, &c. In postscript Burent's services are spoken of in the highest terms. Has sent provisions to Venango. The imprudence of Lieut. Gordon in sending two expresses by land, which have not arrived. 217
- June 19. James Hamilton to the same. Croghan's unsigned letter of the 11th Fort Bedford. contains nothing new. No fresh outrages have been committed on this side of the hills. Can say nothing about taking officers or men into the pay of the Province till he consult the other commissioners; will do so to-morrow; has doubts if they will sanction the expense. That incurred for Fort Augusta will consume all, perhaps more than, the money in the bank. 214
- June 20. Col. John Armstrong to the same. Has forwarded letters by express. Fort Carlisle. The cloud seems to thicken; Fort Pitt is probably invested. 215
- June 20. Geo. Croghan to the same. Sends letters from Sir William Johnson Fort Bedford. and McKee addressed to him to be sent forward to the General. 217
- June 24. Major Campbell to the same. Is on the march, and intends to go from Perth Amboy. Trenton to the sign of Admiral Warren at Ashton. His total force is 362. 218

1763.
June 25,
New York. Capt. Cochrane to Bouquet. Sends letter from General Amherst. Proposes to leave for Presqu'Isle on Monday or Tuesday. Asks what orders are to be left here. Page 210
- June 26,
Lancaster. Capt. James Robertson to the same. Arrest of a private and drummer for debt; he has been unable to get them set at liberty. 220
- June 26,
Fort Pitt. Ensign Price to the same. Arrived from LeBœuf, which he abandoned on the night of the 18th. Had received word of Keiler's defeat. Another express sent off has never been heard of. The captain of a vessel reports the attack on Detroit by 1,500 Indians, who lost 40 killed; the seizure of Capt. Campbell and Lieut. McDougall. A few days before, they killed Robert Devers, Capts. Robinson and McKay and Fisher, a trader, whose wife they hanged, taking the family prisoners. Detroit had been three weeks besieged when the vessel left; the garrison were living on the few provisions Baby had. The vessel was fired on coming out of the river, and Capt. Campbell was sent on board to see if she would strike, when the lives of all on board would be spared, but he said he would fight his way out, and did so. On the 18th he (Price) was attacked and his house set on fire, so that he retreated with seven men, six of whom are still in the woods, and arrived at Venango on the 20th, when he found the block-house burned to the ground. 221
- June 26,
Fort Pitt. Capt. Ecuyer to the same (in French). Nothing new, except a few slight alarms, until the 22nd, when the Indians were hunting some horses in the woods and fired at some cows, after which they attacked the fort on all sides, except that on the Monongahela. One militiaman killed and another wounded. Had dispersed the Indians with two cannon shots, not without effect. On the night between the 23rd and 24th they were reconnoitring the fort, and after midnight the Delawares asked to speak to McKee; a statement of the conversation is sent. The returns show three soldiers killed and one wounded; two militia men killed and two wounded. The garrison consists of a total of 330 men, with 104 women and 106 children, the whole numbering 540, of whom about 420 receive the King's provisions. Price arrived this morning with seven men of his garrison. Benjamin Gray reports the attack on Presqu'Isle; the capitulation of Christie; massacre of all but Gray and two others, who fled to the woods. The assailants were Ottawas, Chippewas, Wyandots and Senecas. 224
- June 26,
Lancaster. Joseph Simon to the same. Can get farmers to send their waggons up, to be paid by the day, but they must have more than last year. 230
- June 28,
Philadelphia. W. Plumsted to the same. Sends warrant for the waggons. If money is sent he will come and arrange matters, but not beyond the pittance sent. Monckton sails to-day, and Cochrane leaves on Thursday. Who is now to give directions? 231
- Warrant for waggons, signed by James Hamilton, Governor of Pennsylvania, follows. 232
- June 28,
Ligonier. Lieut. Blane to the same. Has had no satisfactory news from either Pittsburg or Bedford, nor any letters from him (Bouquet) since 24th May. Has force sufficient to defend the post, but the roads are guarded night and day by the Indians. Has agreed to pay the men from Bedford and the young servants till the arrival of reinforcements. Has made repairs, &c., so that this is the best stockaded post on the line. His care of provisions; the attack on the 21st; narrow escape of a small party from an ambuscade. Has written Ourry, but has not been able to send it. Expects the Indians to return with reinforcements to make a third trial, but their chance is smaller than ever. On the 21st the Indians killed 13 cows belonging to the inhabitants, and burned a house. 234

1763.
June 28,
Philadelphia. Capt. Cochrane to Bouquet. Has delivered his letters. The arrangement for forwarding such as may arrive. It is reported that nine bateaux, with a great quantity of ammunition, had been cut off on Oneida Lake. www.libtool.com.cn Page 23
- June 28,
Philadelphia. Lieut. Dow to the same. Forwards a letter. Capt. Stuart marched this morning with his company; Major Campbell, with the remainder of the two battalions, has marched from Trenton. The people are afraid to come to town with their waggons. It is reported that Sir William Johnson has had to leave his house and is raising the militia. 239
- June 30,
Lancaster. Slough and Simon to the same. Have bought the flour wanted; it will be necessary to pay for transport by the day. 240
- July 1,
Carlisle. Another letter of the same date on the same subject. 241
- July 1,
Carlisle. Bouquet to Governor Hamilton. Suggestions as to the best means of raising the provincial force for the defence and protection of the Province. A list of suitable places for erecting forts for the safety of the country is at the end of the letter. 242
- July 1,
Lancaster. Capt. John Stewart, 42nd Regiment, to Bouquet. Forwards letter from Amherst. Arrived this forenoon; proposes to remain for a day to rest the men. Major Campbell, with his men, will be at the sign of Admiral Warren this evening. 249
- July 2,
Philadelphia. Capt. David Hay to the same. As many artillery stores are wanted at Fort Pitt, thinks he will be of more real service by remaining at Carlisle to procure and forward them than he can be by going on. 250
- July 3,
Crossing at Juniata. George Wood to the same. A corporal and volunteer either killed or taken by the Indians; the report of two guns was heard after the men went out. Has sent to Ourry for a reinforcement. 251
- July 3,
Carlisle. Bouquet to Governor Hamilton. The posts at Presqu'Isle, LeBoeuf and Venango cut off and the garrisons massacred, except an officer and seven men escaped from LeBoeuf; Fort Pitt briskly attacked but the enemy dispersed. Fort Ligonier has also stood a vigorous attack. The Indians expect a strong reinforcement to renew the attack on these posts. If the measures he proposed (p. 242) are not adopted, the Province on this side of the Susquehanna will be ruined. York County should assist in building forts to save the harvest, and arms should be sent to defend the reapers, &c., &c. 252
- July 3,
Paxton. John Harris to Bouquet. Andrew Montour arrived; he has been through the Indian villages; he finds the Indians inveterate and inclined for war. Will get him to go over, so that he can give information personally. 254
- July 3,
Paxton. Thomas Foster to the same. All the traders positively deny that they have sold powder to the Indians. Has sent men to find out, but they have been unable to do so. Strongly suspects one Capt. William Patterson. 255
- July 4,
Crossing at Juniata. Affidavits from traders, that they neither gave nor sold powder to the Indians, follow. 256
- July 4,
Crossing at Juniata. George Wood to Bouquet. That with the men sent from Ourry, &c., he has 13 of a garrison. The fort being out of repair he has had his own house prepared for defence. 258
- July 4,
Hunter's Fort. W. Patterson to the same. Denies that he sold powder to the Indians; the report has arisen from his speaking in a friendly manner to Indians who were relations of Capt. Montour. 259
- July 4,
New York. Capt. Cochrane to the same. Respecting Lieut. Dow's proposal to raise a company of woodsmen; the General leaves it to him (Bouquet) to arrange, &c. 260
- July 4,
Carlisle. Bouquet to Croghan. Sends a summary of General Amherst's letter, approving of Croghan's suggestions and of what he has done. Will himself be responsible for the pay of Capt. W. Pyper and his men, and

1763.

recommends them to the Governor for commissions. Respecting the settlement of a bill. He (Bouquet) and Capt. Basset are living in ease at Croghan's hotel. Page 262

July 4, Carlisle. Bouquet to Blane. Approves of his measures. The men who stay with him shall be paid. If the names of those who treacherously abandoned the post are sent, he shall publish them in the newspapers. Had Christie and Gordon behaved with the spirit he has done, their posts would not have been lost and Christie and his garrison massacred after a scandalous capitulation. To save provisions and ammunition, and never to allow any of the men to leave the fort on any allurements. Don't let a musket be fired but where it is sure to do execution. Has sent a reinforcement, which he shall soon follow to clear the roads of that bloody race. What Ourry hinted of his (Blane's) intention had he not got a reinforcement must be erased. If an officer is left alone he must die before he disgraces himself by leaving. 264

July 5, York. George Stevenson to Bouquet. Asks for the release of Klein, a musician in the Royal Americans. More troops needed if this war become general. 267

July 6, St. John's, Newfoundl'd. Mrs. Gually to the same (in French). A personal letter about her son and other similar subjects. 268

July 6, Philadelphia. Governor Hamilton to the same. Remarks on the news of the capture of the three forts. The Assembly (of Pennsylvania) has authorized the raising of 700 men till the next meeting of the House in September, to be employed in protecting the frontiers; the bill will contain a clause to compel the people to furnish transport, &c. 273

July 6, Carlisle. Warrant to the officer of the Royal Artillery to receive into store powder for the use of Fort Pitt, &c., and to issue powder to the 42nd Regiment going on service. 275

July 8, Carlisle. Bouquet to Governor Hamilton. Is glad, for the sake of the frontier inhabitants, that 700 troops are to be raised. The Indians being elated with victory, it will be a risk to send up a convoy to Fort Pitt with such men as he has. If the men raised by Pennsylvania cannot be sent with the troops to the relief of Fort Pitt, then he must run all risks to relieve it. Sends Ourry's and Croghan's letters respecting the men raised for Fort Lyttleton. So soon as the remains of the two regiments arrive, he shall proceed to Bedford. 276

July 8, Detroit. Major Gladwin to Bouquet. That the letters sent by the same messenger as this were lost when he was taken prisoner by the Delawares. Refers him to enclosures for account of the loss of the posts. Recommends his officers for their services. Has only heard once from Niagara since the beginning of this affair. Is anxious to hear about troops, &c., &c. 278

July 10, Detroit. Ensign Christie to the same. A detailed account of the siege and capture of Presqu'Isle. 280

July 11, Ligonier. Lieut. Donald Campbell to the same. Sends returns of the garrison. Left Bedford on the 7th and reached here on the 9th. Did not see the enemy, but they must have followed close as they fired at the fort that evening; one man wounded. 284

July 11, Lancaster. John Hughes to the same. Proposes to use dogs against the Indians. 285

July 11, Ligonier. Lieut. Blane to the same. Has delivered all instructions, &c., to Mr. Campbell on his taking command. Thanks for the satisfaction he (Bouquet) has expressed and for the care of the men who have suffered. The Bedford Volunteers (Mr. Ricker excepted) deserve nothing but their wages. Warns against the renewed efforts of the Indians. 288

1763.
July 12,
Philadelphia. Governor Hamilton to Bouquet. That the Assembly, terrified at the expense, had come to the resolution communicated (p. 273). How the two soldiers arrested for debt could be secured. Acts for furnishing transport and for punishing mutiny in the provincial troops have been passed. The 25 raised by Croghan shall be paid for, but the Assembly will not garrison Fort Lyttleton, nor maintain Andrew Montour and the other Indians during the troubles. The troops raised by the Province cannot be marched beyond the limits. How the officers have been and are to be appointed. Sends affidavit of a horrid crime concocted by some of the soldiers, that they may be arrested and transferred to the civil power. Page 290
- July 12,
Detroit. Lieut. James McDonald to the same. Account of affairs at Detroit from the 7th May to date, giving the events of the siege in detail. 295
- July 13,
Carlisle. Bouquet to Governor Hamilton. The list of killed from 40 to within 16 miles of this town is now 19 and increases every hour. The desolation, &c., form a scene of horror impossible to describe. Inoffensive Indians brought in who should be removed to Philadelphia for their own safety. The whole country is abandoned west of this, with the harvest, cattle, &c. How the people are to be supplied with powder. When he sent suggestions to prevent the ruin of the country, he little expected to see it so soon, nor that the Assembly would pay no regard to his representations. The few troops voted cannot be raised in time, nor can they save the people and harvest; that requires united action. Is marching to the relief of Fort Pitt. 313
- July 13,
Fort Bedford. Capt. James Robertson to Bouquet. Had arrived on the 11th and encamped outside of the town; has a sufficient guard in the fort. Has received letters from Ligonier of Campbell's arrival. Is afraid the wag-gons will have difficulty in getting over Sideling Hill, the roads being very bad. 316
- July 14,
Paxton. John Harris to the same. Scalps taken to him (Bouquet) as vouchers for the Indians killed when committing murders. The town breaking up for want of assistance. Indians have been seen, and he expects to hear of murders being committed. He will be obliged to move his wife and children, but will himself stand firm, and do what he can to encourage others. 317
- July 15,
Ligonier. Lieut. Blane to the same. Arrival of the Highlanders; sends list of the deserters. Sends description of the fort. Is sorry for the fall of the posts of Presqu' Isle and Venango. He never had any intention of giving up his post. Will be saving with the ammunition; how the provisions can best be managed. The Indians have found their arts useless and believes they will still be the same. 318
- July 16,
Cumberland. James Livingston to the same. Statement of outrages by Indians at Colonel Cresap's; death of Mr. Welder. All these occurred within 100 yards of Cresap's house. Indians traced towards Bedford; it is suspected they have burned all the houses along Wills' Creek. 321
- July 17,
Ligonier. Lieut. Campbell to the same. The inhabitants will remain till a reinforcement arrives, which is much wanted to save the cattle. Has taken a little rum for the men, the duty being hard. 324

A. 19—2.

B.M. 21649.

LETTERS TO COL. BOUQUET.

www.libtool.com.cn

1763.

VOL. VII, PART 2.

1762.
August 21,
Niagara.

Major Wilkins to Bouquet. That he has received his commission and is to remain at this post. Major Gladwin left for Detroit on the 2nd, with Captain Etherington, Jehu Hay and Jamet. Movements of other officers. (This letter should be in volume A 18-2, see letters there, written in July, 1762.) 329

1763.
July 17,
Carlisle.

W. Plumsted to the same. Sends a letter brought by a private hand. The difficulty of saving from the mob the Indians brought in. No further account of scalping. Is going to church to pray for the safe arrival of the convoy. 325

July 18,
Carlisle.

Plumsted and Franks. Proposal for the purchase of flour. Patrols out every night; no additional murders. Parson Thompson had preached a suitable discourse for the occasion of the War, &c., &c. 326

July 19,
Fort Lon-
don.

Bouquet to Governor Hamilton. The ferment of the inhabitants, who imagine Government to be insensible to their distresses. Will have strict inquiry into the crimes said to have been committed at Lancaster and shall transfer the criminals to the civil power. The law as to transport will prove useful. It would be hurtful to suffer Fort Lyttleton to be burned by the savages, as it affords shelter to Col. Armstrong's parties. Had not intended to go beyond Bedford, but being disappointed of provincial reinforcements, he shall go forward with the troops to Fort Pitt. 329

July 20,
Fort Lon-
don.

John Read, Commissary to Bouquet. Respecting the cause of the delay in sending the returns. 331

July 22,
Carlisle.

Same to the same. Sends returns with explanations. 332

July 25,
Carlisle (?).

Robert Callender to the same. How is he to settle with the people for pastures about Carlisle? Respecting money to be paid by Croghan. 334

July 27,
Cumberland.

Major Livingston to the same. Will observe instructions about provisions. Asks him to write Col. Sephen for militia to assist to garrison this fort. Is sure that the two expresses sent on the 9th are killed or taken, as the pistol lent to one of them was found as Cresap's. 335

July 29,
Cumberland.

Same to the same. Is sure that Capt. Barrett will not get more than 12 men; he has now eight pretty good woodmen. The bearer, William Linn and the two lads, will be of great use in scouting. Field has left for men; on his return he will march with Barrett through the woods to Ligonier. There are 42 horses ready at the South Branch, but word has been sent that there is no escort. Governor Sharp sent some militia to scout round Fort Frederick, but will send none above that post. Has asked Col. Stephen for a company to be stationed at the Ohio store. 336

July 29,
Detroit.

Lieut. James McDonald to the same. On Cuyler's arrival with 30 men, who had escaped to Niagara, word was sent to Christie, who sent an express to Venango to Lieut. Gordon, and Major Wilkins sent word to the General of that and of traders being killed or taken. Had been shown a letter written by Campbell, stating that he (McDonald) was going to Fort Pitt ill, but he is not going. The Army expected, which will probably meet with a warm reception, as the Indians are assembling from all quarters, probably 1,000 men, to attack. Expects to see some of them brought to punishment. Had forwarded shirts, shoes, &c., to Leslie and Etherington. 338

- 1763
August 1,
Cumberland. James Livingston to Bouquet. Has mustered 14 of the best men: has promised to look after the wives and children left behind. Capt. Field expected; rations for the men. Has purchased flour for the garrison; McCulloch can take 30 horses to Bedford after delivering the flour. His garrison very weak. Has advanced money to Barrett and has given lead for bullets and powder. Page 341
- August 2. Callender to the same. Nothing new since he (Bouquet) passed. Three Indians report at Fort Augusta that the Delawares and Shawanese are innocent, but that the French and seven other nations are hostile: they don't know who they are, or at least don't choose to tell. Montour seems disposed to join the Indians. It was reported that the troops had been sent from Havana to England and that Amherst had sent for troops to Newfoundland, which are hourly expected at New York. Wishes he (Bouquet) were up; many who never prayed before now pray for his safe arrival. It is reported that Byrd made a vehement speech to the three Indians, and threatened to strike terror into their hearts. 343
- August 2,
Fort Pitt. Capt. Ecuyer to the same (in French). Has received letter by Hudson, who has been three days among the enemy and will report. Had ten days' council with the Indians, report of which McKee sends to Croghan. On the afternoon of the 28th there was a warm attack, but no mischief done, none killed, seven wounded, himself slightly; the attack lasted five days and five nights. There were certainly twenty of them killed and wounded, besides those not seen. No one allowed to fire until he could see the mark, and when they showed their noses they were shot like flies, for he has good marksmen. The enemy had crossed the Ohio when the express arrived. The scarcity of Indian corn, &c. The men are doing wonders, and are eager to fight, so that he would have been glad had the enemy made an assault. Why he did not fire the cannon when his people were attacked in the garden; the enemy has stolen all his horses and 40 cows; has only a few scalps to offer. Lighted arrows fired to burn the works, but they did not reach. Only two arrows fell into the fort; one wounded him in the left leg. 345
- August 3,
Ligonier. Order by Bouquet to inspect the biscuit reported to be damaged. The report is annexed. 348
- August 3,
Fort Pitt. Ecuyer to Bouquet (in French). The express has arrived and set out again. The Indians have crossed the Alleghany and have given no trouble since, but he is informed that 400 are round the fort of Delawares, Shawanese, Wyandots and Mingoës. He (Bouquet) may meet small parties on the road; any great number would be at Turtle Creek or at Chestnut Ridge, according to reports, which are probably exaggerated by fear. Hudson will report on his arrival. He reported that when the Indians read his (Bouquet's) letter, the Beaver King went to his town, and that there was a division, some of the Indians being for and others against carrying on the war, the Wyandots declaring they would never make peace, so long as one was alive, so that they must be cut to pieces. He has a large party of volunteers, all good marksmen, who have gone to take them in the rear. Expects news from Lake Erie and from the Scioto. Hopes the Wyandots and Shawanese will do like the Delawares. Suggests cutting the women and children in pieces, whilst the warriors amuse themselves round an impregnable fort. 350
- August 6,
Philadelphia. Plumsted and Franks. That General Amherst had instructed them to get all orders about provisions from him (Bouquet), &c., &c. 353
- August 7,
Bushy Run. Major Allan Campbell to Bouquet, recommending a promotion 356
- August 11,
Philadelphia. W. Dunlop to the same. How is he to charge the postage on letters for the officers of the army? 357

1763.
August 11,
Fort Pitt. Capt. George Clerk to Bouquet. Recommending Peebles, a volunteer in the 77th, who was wounded in the attack of the 5th instant. Page 358
- August 11,
Fort Pitt. Same to the same. Asks leave to go down the country on account of his health. 359
- August 11,
Fort Pitt. Bouquet to Governor Hamilton. The attack by the Delawares, Shawanese, Wyandots and Mingoes had been completely defeated on the 5th and 6th. Before advancing to attack his troops on the march they had kept up an incessant fire on the fort for five days. Basset, who carries the dispatches, will give particulars of the bloody affair, in which the most warlike of the Indians lost their boasted claim of being invincible in the woods. If the Province would enable him to follow up the blow, he might drive them over the lakes or compel them to sue for peace, but that cannot be with prudence attempted with the few troops he has, and if the Indians have time to recover, all will have to be done over again. 360
- August 12,
Fort Pitt. Robert Boyd to Bouquet. Applies for leave, till he can make arrangements, to retain the girl who has been living with him. 361
- August 12. Major Robert Rogers to the same. Asks that a note for £100 granted by Ensign Holmes be paid out of money in the hand of the paymaster. 362
- August 12,
Fort Pitt. Lieut. Allan Grant to the same. Prays for leave of absence to go down to the country on account of ill health. 363
- August 13,
Fort Pitt. Major Allan Campbell to the same. Recommending promotions in the 42nd Regiment. 364
- August 15,
Fort Pitt. W. Murray to the same. Should any imputation on his honesty be the reason he has been ordered to give up the keys of the stores, he asks for a court of inquiry. 365
- August 18,
Ligonier. Lieut. Blane to the same. Congratulatlions on the victory. Hopes he will no longer be left in this forlorn way, as fatigue is getting the better of him; asks therefore for a proper garrison, not less than four officers, five sergeants, six corporals, one drummer and 80 or 90 privates, for reasons given. Has written to Ourry for provisions. How he managed to keep the people; his accounts, &c. 366
- August 18,
Ligonier. Same to the same. Calls attention to the wants of the inhabitants and their services, and praying that these poor people may not be ruined by being kept here. Calls attention also to the claims of the pack-horse men. 368
- August 23. Christian Frederick Post to the same. As he can do nothing at present to preach the gospel among the heathen, asks if it would be a proper opportunity to go down the country, &c., &c. 371
- August 26,
Carlisle. Col. John Armstrong to the same. Congratulations on his success. A party of volunteers (between 100 and 200) are gone up the west branch of the Susquehanna; is doubtful of the result. Only single Indians seen since he (Bouquet) marched. There have been 48 or 49 of the inhabitants killed within the county. Has kept men at Lyttleton and Bedford. Young Culbertson put in irons by Ourry; hopes he has been released. The Governor has written for the Indians, who have been sent off under escort. 373
- August 28,
Fort Pitt. Bouquet to Gladwin. Is glad to hear by his letters that he was able to defend Detroit against such a multitude, the Indians having reported that it was taken. The loss of the detached posts was what might be expected, but Capt. Campbell's death affects him greatly. The steps taken to rescue the others will, he is afraid, hasten their death. He (Gladwin) is to have command of all the troops sent to Detroit to retake the country. The capture of Venango, and LeBœuf, and the surprising surrender of Presqu' Isle. The attack on Fort Pitt and Ligonier described. To relieve these he was obliged to take his handful of men, the Province

- 1763.
- having refused to give the least assistance. Describes his march to Bedford and Ligonier, where he left 60 men, 30 at each, and proceeded with 400, who were attacked near Fort Pitt for two days; casualty returns. Sickness caused by fatigue prevents him from sending the men ordered till a reinforcement arrives, &c., &c. Page 376
- August 28,
Fort William. Bouquet to Lieut. McDonald. Condensed statement of what is given at greater length in the letter to Gladwin. 383
- August 29,
Philadelphia. Governor Hamilton to Bouquet. Congratulations on his success and on the conduct of the troops. Agrees that the best plan is to carry the war into the enemy's country and believes when a plan is formed the Colonies will assist. 386
- August 29,
Philadelphia. David Franks to the same. Congratulations on success. 386
- August 30,
Philadelphia. Governor Hamilton to the same. That the provincial stores are to be removed from Fort Pitt to Philadelphia. 389
- August 30,
Philadelphia. Plumsted and Franks. Their arrangements about supplies, &c. Congratulations on success, but regrets the Province did nothing to help, &c., &c. 390
- September 4,
Fort Bedford. Major Campbell to Bouquet. Arrived yesterday. Small-pox broke out on the march and the wounded suffered much. Ensign Herring came up with him at the Shawanese cabins and delivered letters from Amherst, which will be sent to Ligonier by Cap. Grant of the 42nd, who goes with a strong escort, to protect 200 pack-horses loaded with flour besides bullocks and sheep. Could not leave men at Ligonier from want of provisions, but this strengthens Grant's escort, as he takes plenty of provisions back. Notes of what was done with waggons, &c. Five regiments arrived at New York from Havana; three sent to Canada, one to Albany and one to Halifax. Waggons sent to Fort Loudoun with a strong escort, but the sick and wounded cannot be sent. Desertion. 394
- September 4,
Philadelphia. Capt. Harry Gordon to the same. The delay in waiting for a ship has enabled him to send congratulations on the success over the Indians. 452
- September 5,
Ligonier. Lieut. Blane to the same. The defeat of the Indians has reduced them to a dismal condition and given quiet even at a distance. The scarcity of flour at the post for reasons stated. Sends returns of stores. Explains the reason why more women remained than had been allowed. The bad effect of frequent changes in the officers commanding the post. Respecting coopers; arrangements for firewood; cutting hay, &c. How he keeps accounts of necessaries supplied. Other accounts sent. Desires to be fort major at Fort Pitt. 397
- September 8,
Ligonier. Same to the same. Arrival of a large convoy of provisions. Accounts sent of the losses of the inhabitants, with remarks. 402
- September 9,
Ligonier. Capt James Robertson to the same. Has remained according to orders. Arrival of convoy. How he has sent dispatches, &c. 403
- September 9,
Ligonier. Lieut. Blane to the same. Calls attention to the loss that will be caused at the post if the rule against outlers be enforced. 407
- September 12,
Fort Pitt. Bouquet to Governor Hamilton. The temporary consequence of the success has been to stun the Indians, but if allowed to recover they will again vent their rage on defenceless families. The argument for an offensive war must convince every one not absolutely determined to act against evidence, and could reason prevail he would not renounce all hopes of assistance from the Province (Pennsylvania), as no other has so much at stake. The enemy know that whilst opposed in Maryland and Virginia by a numerous militia, they can commit depredations almost with impunity in Pennsylvania. Five hundred picked troops, added to the King's, would put the finishing stroke to this savage war, would bring honour to his (Hamilton's) Government, safety to his people and force

1763.

the Indians to respect them ever after. Reasons for raising troops, the massacre of 600 persons already, &c. From the impossibility of the few King's troops carrying on an offensive war they will probably be taken to Detroit, and Pennsylvania left to defend her own frontiers.

Page 408

- September 14, Plumsted and Franks to Bouquet. Respecting the supply of provisions ;
Philadelphia. the character of the agent employed, &c., &c. 412
- September 15, Callender to the same. Congratulates him on his safe arrival, &c. Has
Shippensburg contracted for provisions and is looking out for transport, partly secured,
with which will be sent cattle and sheep. The delay on the part of con-
tractors, &c. 420
- September 15, Col. Stephen to the same. Congratulations. Had he received his
Winchester. (Bouquet's) letter sooner, would have joined him in the fight. Asks for
the latest news from the Indian towns, and if they persevere in their
hostilities. Is stirring up the young warriors to visit him ; hopes he will
treat them with provisions and ammunition, so that he may be able to
use them on convoy, as by the law of the Colony no militia can be ordered
out of it ; that must be done by persuasion. If the post should be erected
at Red Stone, it is possible the Virginians would garrison it. 422
- September 17, Lieut. Blane to the same. Returns were sent. No garden seeds here.
Ligonier. Blankets, salt, nails, &c., wanted. There is neither surgeon nor medicine
here for the sick soldiers ; it would be a charity to order them up. The
militia have neither shirts, shoes nor anything else. 424
- September 20, George Turnbull to the same. That he has been appointed to the 1st
Albany. battalion (Royal Americans) and is now on his way to join, but awaits
instructions from Colonel Amherst. 426
- September 23, W. Murray to the same. Represents the grievance of his being de-
Fort Pitt. prived of his office of clerk of the stores. 427
- September 23, Extract of General Orders relating to the posts at which the troops
New York. are exempted from stoppages. 430
- September 23, Major Allan Campbell to Bouquet. How dispatches have been for-
Bedford. warded. No reinforcements yet arrived. The convoy will be ready to
leave this by the beginning of October. Respecting Col. Reid's retire-
ment. General Amherst has a plan to strike at the Indians by Virginian
volunteers. Movements of officers. 431
- September 24, John Read to the same. Asks him to settle a dispute about ra-
Philadelphia. tions. 434
- September 25, Capt. James Robertson to the same. Has sent the dispatches through
Ligonier. the woods. One of the guards on the cattle and sheep killed within 80
yards of the post. 435
- September 25, Lieut. Blane to the same. Sends returns. Hopes that affairs at Detroit
Ligonier. are changed for the better. Asks what garrison is to be kept here and
what is to be done for barracks. There are no masons or carpenters, and
the officers' barracks are not habitable without repairs. Where shall he
get blankets? Two horses are sufficient to supply firewood. Small
parties of the enemy discovered, but no mischief done except the killing
of Hugh Henry. Want of hay will render it next to impossible to keep
cattle during the winter. 438
- September 25, Lieut. Donnellan to the same. Asks to be removed to Carlisle for
Ligonier. remedies for his health, which is in a bad state, and also for leave to sell
out. 441
- September 27, Capt. James Robertson to the same. Has resigned his command of the
Ligonier. post to Capt. Forbes. About beef to be salted. All his command have
joined Stewart's detachment. Asks for a convenient route for the troops
he is to take down. Trial of one of the 60th for robbery, and his subse-
quent desertion. 436

1763.
 September 28. Proceedings of a court of inquiry to ascertain the cause of a deficiency of flour at the post. Page 44
 Fort Pitt.
- September 29. Ensign Peebles to Bouquet. Asks leave to go down the country to have his wound cured. 44
 Fort Pitt.
- September 29. — Schweighausen to the same (in French). Respecting the effects of the late Lieut. Hess. News of personal friends. Death of the King of Poland; preparations for the election of his successor. 45
 London.
- September 30. Bouquet to Col. Stephen. Will second his attempt to carry on offensive measures by means of the volunteers he proposes to obtain from the men under his command. Thinks the General's plan not only practicable but easy, either by land or water, a number of new bateaux being ready. Wanting only men to strike a decisive blow, but no time should be lost. He (Stephen) would have command of the most promising expeditions that has yet been attempted against the savages. Would answer with his head that with 700 good men he could burn and destroy all the Indian towns and settlements between this post, the lake and the Wabash, and drive the brutes beyond the Mississippi; one half should be picked men of the Province (Virginia). He (Bouquet) knows all the roads, the number of men in each town, and could furnish guides. The post at Red Stone might be restored if Virginia would garrison it. 45
 Fort Pitt.
- September —, Christian Frederick Post to Bouquet. Shall take a tour to North and Canagogick. South Carolina, to preach the Gospel to the heathen. The losses he has sustained by the Indians. Thanks God for protection, &c., &c. 45
 Canagogick.
- October 2, W. Plumsted to the same. A long letter respecting the supply of provisions, &c. 46
 Carlisle.
- October 4, On the 3rd he reports having received a letter from Lieut. Blane, certifying the loss sustained by 19 men kept for the defence of his post. 46
 Philadelphia.
- October 4, George Clerk to Bouquet. Is better, but not sufficiently recovered to join. 46
 Philadelphia.
- October 4, Aeneas Mackay. Sending corrected returns. 49
 Ligonier.
- October 5, A letter on the same subject, without date or signature, follows. 49
 Detroit.
- Jehu Hay to Bouquet. Owing to domestic circumstances (given) he begs that he may not be reduced, and believes he can raise £100 to get another step. Gives an account of a fight with the Indians, who attempted to surround them when sent to reconnoitre an island to see if wood could be brought from there. Defeat of the Indians with a number, unknown, killed. 46
 Detroit.
- October 9, Major Livingstone to the same. To whom he supplied provisions in accordance with instructions, in addition to what were given to poor people who would otherwise have perished, but none received provisions who could subsist themselves. His garrison is now reduced to twenty persons. 47
 Cumberland.
- October 10, Col. Adam Stephen to the same. That a respectable body of men wait orders to march to Fort Pitt to execute any offensive plan against the Indians, but it will take some time to collect them here; but for the backwardness of the gentlemen of Virginia he would have been near him (Bouquet) by this time with 1,000 chosen woodmen. Has written to Amherst, to the Governor and Council of Virginia and others, but has received no answer. If the season should be too far advanced to carry the design into effect, everything can be ready early in spring, but this is the time to distress the Indians effectually. The bastions at Fort Burd stand good, but the buildings forming the curtain are burned down; should the war continue the post must be re-established. Presumes the Virginians would garrison Fort Burd, as it would contribute to cover their northern frontier. (The letter is dated September, endorsed October, which last is the correct date). 49
 Winchester.

1763.

October 10,
Bedford.

Capt. Ralph Phillips to Bouquet. Had taken other men than those originally named, for reasons given. Arrived on the 7th; saw no Indians. McKinley arrived [this morning] with his party from Fort Cumberland. He (Phillips) will march in half an hour. Page 473

October 11,
Carlisle.

George Croghan to the same. Arrived to-day from the northward; all the Indians quiet but the Senecas. The Seven Nations of Canada have offered their services, but the General will neither accept their services nor those of the provincials. A few troops were killed near Nigoro lately. Has sent in his resignation and will sail for England. For the last eighteen months no attention has been paid to his reports or opinions. Thinks this Indian rising may be good for people hereafter, if they are sufficiently punished, but does not think there are troops enough to do it this fall. Has left warrants for land with his brother, and sent an order for the amount due him (Bouquet). Wishes his accounts all settled before he sails. 474

October 11,
Bedford.

Major Allan Campbell to the same. Has obeyed orders. The grand convoy is to leave this to-morrow. His health compels him to give up the command of it to Murray, to whom he has given the necessary directions, as well as those relating to the reduction and to the posts on the communication. Despairs of receiving reinforcements from the Virginians. Has broken off negotiations with Col. Reid about the purchase of his commission and will be glad to get leave to go to New York after the reduction of the two battalions. The Provinces have sent no militia to assist in garrisoning the post, and as no service can be expected from the invalids, he is at a loss how to form the garrison, so that he is obliged to trust the security of the fort to ten or twelve inhabitants, who come reluctantly at night. Some small scalping parties have been molesting this place for ten days past; they have killed one man, wounded another and carried off a boy. 476

October 11,
Bedford.

Capt. John Graham to Major Allan Campbell. Points out how necessary it is that he should go down the country to settle the accounts as paymaster. 480

October 12,
Ligonier.

Lieut. Blane to Bouquet. Returns corrected. The kind of sutler wanted at the post. Stoves wanted, there not being a single chimney in the barrack. 481

October 12,
Carlisle (?).

Callender to the same. Is in distress for an escort for pork, &c., to Fort Pitt, and one for Bedford; pasture for cattle getting bare. Can expect no escorts from this Province, so that he is disappointed about the flour to be sent to Bedford, although he might perhaps induce the waggons to go that length without an escort. Is sorry that Ourry goes to Bedford, as nobody who succeeds him can do the business so well. Believes a large number of volunteers could be raised now for an expedition against the Shawanese. Movements of troops. 482

October 12,
Carlisle.

W. Plumsted to the same. Proposed arrangement about the supply and transport of provisions. 485

October 13,
Carlisle.

The same to the same. Asks his order for payment of rations issued to men engaged in defending and transporting provisions. 489

October 14,
Albany.

George Turnbull to the same. That he has been transferred from the 1st to the 2nd battalion and is now here on his way to Canada with clothing. 494

October 15,
Philadelphia.

David Franks to the same. Reports that Amherst has leave of absence; Gladwin to be Deputy Adjutant-General, and that 3,000 troops are expected. It is reported that the communication is again infested with Indians. More scalping towards the northern frontiers of the Province, &c., &c. 495

1763.
October 16, John Gough, A. D. Commissary, to Bouquet. Explains the cause of the mistake in the return of stores at Ligonier. Page 500
Fort Pitt.
- October 17, ~~Adjutant Keough to the same~~ (no signature). Respecting an exchange of the writer into the 1st Battalion Royal Americans. (For New York. writer see Prevost's letter which follows). 497
- October 17, Capt. M. Prevost to the same (in French). Has received order to go New York. to Carolina to take command of one of the three companies there. Leaves with his wife and hopes to be at Charlestown on the 25th of next month; it is to him (Bouquet) he is to look for instructions. Keough, late Adjutant of the 4th Battalion, would gladly purchase the adjutancy of the 1st. 498
- October 21, D. Franks to the same. Sends papers just arrived; death of Lori Philadelphia. Egremont; political rumours. 503
- October 22, Certificate of the state of health of Lieut. Michelson of the Royal Fort Pitt. Artillery. 504
- October 22, Callender to Bouquet. Has only 25 waggons, the season being late Carlisle (?). and people unwilling to undertake the journey. Shall send more to Bedford, but the people will not go further; Armstrong has furnished an escort that length. Suggestions as to the transport of flour, &c. Ask for a licence to Spear to carry goods for sale to Fort Pitt. 505
- October 23, Capt. Gordon to the same. Is on the point of leaving; Price to take Newcastle. charge of his company, and to account to Mr. Ward for all matters connected with it. Has sent orders to Mr. Donnellan to the same effect. 506
- October 24, Rudolph Bentinck to the same. Thanks for kindness; the state of his Welbeck. health, the prospects of his promotion, &c., &c. 509
- October 24, Major Allan Campbell to the same. Hopes the last convoy arrived. Bedford. in distress for an escort; his own bad state of health. Refers to transaction with Col. Reid about exchange, and asks leave to go down with reduced officers on account of his health. Alarm by small parties of Indians, but no harm done. 515
- October 24, Lieut. James Grant to the same. Does not know what to do on the Bedford. arrival of the waggons, as he cannot get an escort to take them further. Has sent this for orders. 517
- October 24, Surgeon D. McLean to the same. That he had been ordered to take Fort Pitt. charge of the sick and wounded of the militia, &c. The remuneration left to his (Bouquet's) decision. 518
- October 25, Lieut. Blane to the same. Sends returns. Has begun to build barrack Ligonier. within the fort. Four bullocks strayed from Murray's convoy have come in safe. 519
- November 1, Major Gladwin to the same. Congratulates him on success, and has no Detroit. doubt the good effects have been felt on the frontiers. Has been ordered by the General to establish outposts, which is impossible. Is tired of his command and hopes to be relieved; if not, he will leave the service, as he does not choose to be exposed to the treachery of the settlement and of the Indians. Hopes the order for reinforcements to this post may be countermanded, as it can be of no use at this season, and cannot leave Presqu'Isle if it gets there. If it comes, shall send off the Royal Americans. 520
- November 1, David Franks to the same. Hopes Ourry arrived safe. The Quaker Philadelphia. will quarrel with the new Governor, who arrived on the 30th, for no other reason than that he is of Penn's family. Amherst is leaving and has sent for Gage to take command. Complains of the delay of the commissary in settling, as he has little knowledge and less memory. 522
- November 1, Major Gladwin to General Amherst. The enemy sued for peace, which Detroit. was granted conditionally on his (Amherst's) consent. The Indians have since dispersed to their hunting grounds, giving an opportunity to get in flour. Sends copy of dispatches brought by De Quindre from the com.

1763.

mandant of the Illinois; that to Pontiac is extraordinary. Indians are pressing for peace; thinks it would be for the good of the service were matters accommodated in spring, by which time the savages will be sufficiently reduced for want of powder, and does not think they will break out again if examples are made of the French who set them on. Reasons for not prosecuting the war, among others, that it will drive the Indians beyond the Mississippi, to carry hostility there. The free sale of rum will destroy them more effectually than fire or sword. If there is to be an accommodation Sir William Johnson should be sent up. A message received from Pontiac that he would send to the nations concerned in the war to bury the hatchet. Andrew, a faithful Huron, will assure the Delawares of peace, if they are quiet during the winter. If exclusive trade is given for a year or two to the merchants who suffered it will make up their loss. Page 524

Enclosed in this letter from Gladwin is copy of a letter from Pontiac to him (in French), in which he says that he accepts the offer of peace. All his young men have buried the hatchet and all the bad things that have passed should be forgotten on both sides. Gladwin's answer was, that had he begun the war he could have made peace, but as Pontiac had begun it the decision must be left to the General. 528

Callender to Bouquet. Respecting the supply of cattle, flour, &c. 530

November 1,
Fort Loudoun.

November 2,
Detroit.

J. Montresor to Capt. Basset. His state of health. The attacks on him by Indians, &c. Gladwin obliged to listen to their offers of peace, as there was only flour in the fort for 14 days, and no wood. Letters from the Illinois signed "Negon," with belts and pipes of peace to the Indians, telling them that the country was to be evacuated, but that the French would never abandon their dear children, the Indians, who would be supplied with everything needful. Reasons for making peace with the Indians similar to those in Gladwin's letter (p. 525). (The letter is written in very loose terms). 532

November 2,
Detroit.

George McDougall to Bouquet. Sends return of the Royal Americans here, with remarks. Congratulations on defeat of the Indians. Reinforcements expected, &c. 537

November 3,
Bedford.

Lieut. Allan Grant to the same. Asks leave to go down the country, owing to his serious illness. 538

November 3,
near Fort Pitt.

Lieut. Alexander Campbell to the same. Has applied for leave to sell his adjutancy, so that he might purchase a lieutenantancy from one of his battalion who may wish to retire on half pay. 539

November 4,
Philadelphia.

Plumsted and Franks to the same. Respecting the forwarding of provisions and the trouble with Read, the Commissary. Amherst to leave and Gage to take his place. The new Governor, John Penn, has arrived; the trouble he may expect from popular clamour instigated by members of Assembly. Respecting the continuance of the contract. Ministerial changes in Britain. 541

November 4,
Ligonier.

Capt. James Robertson to the same. Sends dispatches. Invalids of the 42nd have left the post. Blane putting barracks, &c., in order for the garrison; his good qualities and activity. 544

November 5,
Ligonier.

Lieut. Blane to the same. Shall observe instructions; blankets received in bad order. The progress of the work on the barracks and other buildings. Desires to know if he is to be moved or remain for the winter, so that he may arrange; the disadvantage of having a commandant who knows he is not to remain. Asks for instructions about the militia, and for a permanent garrison. The return of the garrison shows a total of 55, some sick. 545

November 6,
London.

Adam Hoops to the same. Has received papers with an account of the defeat of the Indians; has sent them to Mr. Allen, who is at Bath.

1763.

- Colonel Grant goes as Governor of Augusta; Monckton will probably take the command in America. John Taylor, who has goods at Detroit, for the receipt of which he has given a power to Callender, asks his (Bouquet's) help, should difficulties arise, &c., &c. Page 548
- November 6. Francis Murphy to Bouquet. Has forwarded salt fish, &c. 550
- November 7, Winchester. Col. Adam Stephen to Bouquet. That the plan of raising 1,000 men for offensive operations had been given up, the council of Virginia stating that "it gave them pleasure to find such a spirit in the people on the frontiers, but that the Lieut. Governor was absent and nothing could be done in the affair at the present;" and at the same time orders came to disband the greater part of the militia, a genteel reprimand for sending them out of the Colony and a hint that they would not be paid, although he hopes to prevail on the Assembly next session to pay them. Had induced a respectable party of the people to escort the convoy to Ligonier, so as to ease the soldiers, without hope of pay or reward. Is obliged to Major Wilson, of Hampshire, who commands the convoy, should no regular officer join. Offers the product of his farm delivered at Cumberland or Bedford on equal terms with other people. Understands that the Cherokees refuse to come to the treaty at Augusta, and have invited the Creeks to a game of ball they intend to have with the English. 551
- November 8, Bedford. Capt. Ecuyer to the same (in French). Has arrived on the 4th; will leave on the 9th, but does not know when he may reach Ligonier; the roads are terrible for waggons. The escort is very weak and diminishes daily; two sick and eight deserted. Has done all he could to keep them, but to no purpose. They are scum and mutineers of the first order, especially the grenadiers. Colbon and De Marin will, he supposes, also leave; that would be a blessing, as they could corrupt a whole regiment. Has never had such an ill-behaved detachment. Has delivered the clothing to-day; the eight rascals made off with the old clothing. The soldiers here and in garrison at Ligonier complain bitterly they have not received their subsistence, and he has no money to give them. Are preparing to suffer from rain, snow and cold, without counting fatigue, before seeing him (Bouquet) again. 554
- November 9, Bedford. Capt. John Stewart to the same. Their arrival; report of deserters as in Ecuyer's letter. The Pittsburgh militia cannot be kept, and were of little use on the road, as they were subject to no subordination. It is impossible to guess when they can get to Ligonier, the roads being very bad and many bridges out of repair. Clothing arrived; the sick and wounded who could be moved left on the 7th. Sends return of the detachment, &c. 556
- November 11, Ligonier. Lieut. Blane to the same. Sends details of account for rum. The artificers are going on well. 558
- November 11, near Bedford. Capt. Stewart to the same. Eleven men lost by desertion since the 9th, so that the escort is so small as not to be equal to the convoy. Hopes that he may see none of the enemy on this side of Ligonier. Has written to Robertson to send men to meet him on Laurel Hill. Hopes for a reinforcement at Ligonier. Nothing but mutiny and disobedience since leaving; some of the Royal Americans threatening to shoot their officers. Only four of the Pittsburg militia left. 560
- November 11, Ligonier. Capt. James Robertson to the same. The convoy to leave Bedford on the 9th would have great difficulty, the heavy rain having made the roads so bad. All quiet here. Sends returns of the garrison. The militia are beginning to be uneasy about their pay; some of them with difficulty prevailed on to do duty. 561
- November 12, Philadelphia. Plumsted and Franks to the same. Respecting provisions, cattle, hogs, &c. Report that Amherst is to sail in the "Weasel" sloop of war;

1763.

Gage is to take command whilst Monckton is in England, who is to succeed Amherst. Page 562

- November 11, Ligonier. Capt. James Robertson to Bouquet. Sends express with letter from Capt. Stewart. 567
- November, 12, Fort Pitt. T. S. Deage to the same. Sends thanks for the trouble taken to detect the persons who broke into the store. 568
- November 13, Bedford. Capt. Ecuyer to the same (in French). That the rear guard of Capt. Stewart's escort had discovered three parties of Indians, who killed a driver and horses and massacred two settlers in the neighbourhood of Bedford, and carried off a third. Capt. Ourry, who came to the camp, which had just been left, narrowly escaped, as the driver was killed near him; they tried to take the driver prisoner, but not being able wounded him mortally. The rear guard running up, the Indians took to the woods. Capt. Stewart sent to reconnoitre the upper part of the mountain and to escort two expresses, but near Bosworth they discovered six Indians watching the camp and were followed by several others. The escort returned to camp at midnight. All were under arms. At a meeting of officers called by Stewart it was resolved to return to Bedford for a larger escort. Believes the Indians intend to attack before reaching Ligonier; they are a desolation to the frontiers. It is reported that Pennsylvania is to raise three battalions and rangers. The Cherokees have refused the presents, and declare they will not treat so long as they have a man living. It is said also that the Senecas have taken up the hatchet and that it was they who made the attack at Niagara. Sends a list of deserters, 18 in all, and two prisoners, not counting those who left before marching from here. He is 22 years in service and never saw such a troop of bandits and thieves, especially the Grenadiers. He has been obliged to flog two on the field, one for trying to shoot the sergeant and another for trying to shoot himself (Ecuyer). He would have shot the man, but was afraid of wounding others round him. "In the name of God let me go and plant cabbages; it is in your power to let me go, and I will be eternally grateful for it." "*(Au nom de Dieu laissez-moi aller planter de choux; c'est dans votre pouvoir, monsieur, et j'en aurai une reconnaissance éternelle)*." Besides, such is the state of his health that he doubts if he can go back with the convoy. (A note is added by Forbes, that in consequence of meeting the express he had made all haste to Bedford). 569
- November 13, Bedford. Capt. John Stewart to the same. Account of the attack as in Ecuyer's letter. Capt. Ourry has written to Major Wilson of the Virginians for 50 or more of his volunteers, which are expected here in a few days; would have waited, but as the enemy had not been seen for some time had thought it better to proceed. The reinforcements from Fort Pitt should come here, where he will wait their arrival. An account has been sent to Amherst. 573
- November 14, Ligonier. Capt. James Robertson to the same. Return of Elliot, the express, after meeting with the one from Stewart, who informed him of the convoy's return to Bedford. 576
- November 15, Fort Pitt. Lieut. Donnellan to the same. Asks for a court of inquiry to settle his accounts. 577
- November 19, Bedford. Memoranda respecting courts martial. 578
- November 20, Bedford. Capt. Ecuyer to Bouquet (in French). No desertions since his last letter. His health will not allow him to undertake the journey; the symptoms of his illness; will remain here till further orders. Asks Hutchins to settle his accounts. The departure of Amherst; the command of Gage till Monckton arrives. (The tone of this last paragraph shows his great dislike for Amherst's rule). Asks that Barnsley be spoken to about the subsistence; complains of his

- 172
 ... The sad state of the troops on escort duty; Stewart badly
 ... two of whom he had to bring to court martial.
 ... mutiny when the officers behave so. De-
 ... Page 580
- ... That Amherst had granted a warrant in his
 ... General. Gage arrived on the 16th; next day
 ... and embarked in the "Weasel", sloop of
 ... 583
- ... His doubts, owing to the state of his
 ... and can join no company at pre-
 ... Bonquet's hands. Account of the
 ... Lake Erie. Gage desires to know if there
 ... the battalion of Royal Americans. Cope,
 ... and sent a petition to Gage, has
 ... he has from his servant, &c. 584
- ... A chest of medicine has been ordered.
 ... that expended by Dr. McLean on sick and
 ... 589
- ... Requesting the building of the barracks,
 ... Would like to be relieved
 ... to retire from the service,
 ... on the 25th he writes about the cattle
 ... 590
- ... Arrived at Bedford on the 19th.
 ... &c. 594
- ... What part of the convoy has been
 ... with the rest to-morrow
 ... Wants to see his good
 ... He has lost two officers under
 ... Buryers health. No appear-
 ... 595
- ... Instruments received from
 ... at the repairs of the fort;
 ... Asks for instructions respect-
 ... 598
- ... &c. with re-
 ... 601
- ... the next
 ... 602
- ... a spitting of
 ... and Gage.
 ... the wrecked jacket.
 ... their passage for Europe.
 ... 603
- ... must either apolo-
 ... 605
- ... disagreeable busi-
 ... Amherst.
 ... Indians. Political
 ... The Wilkes
 ... 606
- ... the state taken to pre-
 ... 610
- ... and Watson have
 ... anxious
 ... The 7th

	1763.	left yesterday; the three companies under his command are paraded to march.	Page 613
December 13, Bedford.		Lieut. Gordon to Bouquet. States his reasons for wishing to go to New York and perhaps Albany and asks for leave of absence till spring.	615
December 16, Ligonier.		Lieut. Blane to the same. Thanks for kindness; would like to be at liberty to go home. The dispatch he had used in getting the beef salted. Hindman, the cooper, allowed to go to Fort Pitt; must not be detained, as the barrels are unheaded and untightened. Some of the cattle very bad.	618
December 16, Ligonier.		Lieut. Smith to the same. Sends monthly return of the garrison.	620
December 19, Philadelphia.		Peter Spence to the same. Respecting his claims for pay and allowances.	621
December 21, New York.		Robert Leake to the same. Asks that steps may be taken to get the subsistence accounts settled.	622
December 25, Ligonier.		Lieut. Blane to the same. Returns sent. Is uneasy about the return of Quarter Master Rochard's party. Asks that three or four of the provincials now idle at Bedford could be sent to act as expresses.	623
December 25, Ligonier.		Lieut. Smith to the same. Sends an account of the delay in hearing of Quarter Master Rochard's party.	624
No date.		Memorandum on the design for a shell (<i>obus</i>).	625
		Capt. Barnsley to Bouquet. The letter apparently relates to the returns of troops, &c., after the expedition to the Havana.	628
		Memorandum of agreement on behalf of Plumsted and Franks, contractors for victualling the troops on the Ohio.	630

GENERAL CORRESPONDENCE.

VOL. VIII.

A 20.

B. M. 21650.

1764. January 1, Fort Loudoun.	W. Bayley to Bouquet. Has sent a calculation of the cost of provisions sent with the troops to Muskingum.	Page 1
January 4, Detroit.	Lieut. D. Brehm to the same. As operations against the Indians are to be continued, withdraws his proposal to exchange on half pay. Indians praying Gladwin to intercede with the General; they are starving.	2
January 8, Detroit.	George McDougall to the same. The Indians have gone to their hunting grounds and seem urgent for peace. Gladwin has ordered Lieut. Jenkins to go with his men to New Orleans; sends the names of those entitled to their discharge.	3
January 8, Detroit.	Ensigns Christie, Schlosser and Pauli to the same. Have sent account to the General of the losses they experienced at their posts and called attention to their claims for promotion.	4
January 9, Ligonier.	Lieut. Blane to the same. Thanks for leave to go down the country, but will wait his arrival, if that is in the time stated. Is putting everything to rights at the post. Respecting stores, &c.	5
January 10, London.	J. Calcraft to officer commanding the 1st Battalion Royal Americans. Sends form of a certificate for clothing.	7
January 13, Fort Pitt.	Dr. Boyd to Bouquet. Asks leave to go to Philadelphia for reasons given. His disappointment about promotion, &c.	8
January 14, New York.	Capt. Geo. Etherington to the same. The three companies came here the other day and will march for Philadelphia, &c., &c.	10

1764.
 January 14, Charlestown. J. M. Prevost. The conditions on which he is willing to accept the paymastership of the 1st Battalion Royal Americans. Page 11
- January, 14, Fort Pitt. Dr. Boyd to Bouquet, for three months' leave of absence. 12
www.libtool.com.cn
- January 21, London. Capt. Bentinck to the same. Has just returned from the opera; wishes he (Bouquet) were here to share in the lands granted in America; the Island of St. John given to Lord Egmont; does not see why he (Bouquet) could not also get a grant; Penn would help to get him lands in Pennsylvania; Allen's influence. His own prospects, &c. 13
- January 26, Carlisle. Lieut. Leslye to the same. Must leave for New York to take the transport sailing from there. Respecting money matters relating to his command at Michillimakinak. 16
- January 28, Charlestown. Capt. J. M. Prevost to the same (in French). Gage writes that Bouquet will be in New York and that matters respecting the three companies here shall be settled. Asks him to write to Calcraft to accept bills drawn on him for subsistence. Thanks for the offer of the paymastership, but before accepting must go to New York, and asks leave to go. Believes that the Indians have no desire to continue hostilities since their attack at the Long Canes, where they killed 14 persons, but scalped only one. Capt. Stuart, the Indian Superintendent, says that the Creeks will deliver up the murderers, but this is doubtful; the settlers have taken refuge in Fort Augusta. The Assembly have taken no measures of defence and refuse to do business with this Governor; 100 Indians could take possession of the posts in a short time, which are destitute of everything, owing to the obstinacy of the Assembly. 18
- January 28, New York. Major Wilkins to the same. Sends list of discharged men; declines to purchase from Lieut. Colonel Munster. Has recommended Sergeant Major Butrick for quartermastership. 20
- January 31, Fort Loudoun. Callender to the same. The cause of the delay in the convoy for Bedford. 23
- January —, Fort Bedford. Correspondence relative to the quarrel between Ensigns Guy and Watson and Capt. Stewart, nearly illegible from damp. 21 22
- January —, Charlestown. J. M. Prevost to Bouquet (in French). Wishes Capt. Cochrane had been here to share the annoyance he had in refusing the command to Governor Boone, who demanded it. The independent companies are the worst lot he ever saw, old drunkards, dirty, insolent and not drilled; it is said that those in the posts are better. If he can be of use as paymaster he will accept on certain conditions. Cannot get subsistence like the other troops, and has been obliged to draw for the amount, &c., &c. 24
- February 1, Carlisle. Major Murray to the same. That he had marched the three companies to Lancaster on the requisition of Governor Penn. 27
- February 1, Fort Bedford. Letters respecting the quarrel between Ensigns Guy and Watson and Capt. Stewart almost illegible. 28 29 30
- February 9, Pittsburgh. Capt. William Grant to Bouquet. By impressing horses to bring salt from Ligonier has been able to save the beef. The officers of the 42nd and 60th all sick, except himself and Lieuts. Carr, Potts and McIntosh. Two horses lost coming from Ligonier. Since writing Carr is also taken ill. 31
- February 18. Callender to the same. Ourry writes that he is sending salt to Fort Pitt, besides forage. Respecting beef and other provisions, &c., &c. 33
- February 20. Capt. Ecuyer to the same (in French). The dealings between him and Hay respecting stores, &c., &c. Apologises for not having given notice to him (Bouquet), in order that the stores might have been transferred to him. 34
- February 21. Bouquet to Ecuyer (in French). A letter of rebuke for having left the convoy of which he had charge, and for his dealings with Hay about 36

1764.
February 22, Philadelphia. Lieut. Charles Gallot to Bouquet (in French). That he wishes to retire on half pay. Page 37
- February 23, Carlisle. Widow Thompson to the same. Encloses petition; her distressed situation, &c. www.libtool.com.cn 38
- February 23, Philadelphia. Sergeant John Briant to Bouquet. Respecting a money transaction with Sergeant Underwake. 40
- February 24, Fort Pitt. Capt. W. Grant to the same. That the beef was all salted before the convoy arrived from Bedford. Will take precautions against a flood, though he does not expect one. Sends returns. His success must have a good effect; it has been greatly talked of. A soldier of the 42nd killed and another wounded by the Indians, who managed to get off, and all search has been unavailing; will attack them if he can get an opportunity, but will do nothing rashly. To prevent the communication from being infested, hopes the detachment will be returned. 41
- February 24, Fort Pitt. Lieut. Carre to the same. Sends returns. John Morris has either deserted or been taken by the enemy; reasons for the latter belief. 44
- February 24, Ligonier. Lieut Smith to the same. Sends returns. Everything quiet, but he shall take care to let none of the men straggle. 45
- February 28, Fort Bedford. Capt. John Stewart to the same. Reports of renewed Indian attacks. The case of Ensigns Guy and Watson. 46
- March 4, Philadelphia. Capt. Schlosser to the same. Sends returns; increase of desertion, men entitled to discharge. 47
- March 4. Callender to the same. The convoy is all ready, but Ourry has sent word that the Indians are at Fort Pitt again, so that the convoy is not to start till further orders. 48
- March 5, Philadelphia. Charles Gallot to the same (in French). Sends in his resignation, leaving the price of the commission to his (Bouquet's) judgment. 49
- March 5. Peter Smith to the same. Respecting a bill drawn in his favour, for which payment is refused. 50
- March 5, Philadelphia. Capt. Barnsley to the same. That he believes the Governor is willing the companies should go, and is making arrangements accordingly. Will get information so as to make returns. Respecting his (Bouquet's) horses, &c. 51
- March 7, Carlisle. Lieut. Watson to the same. Offers to serve as a volunteer in the expedition against the Creeks. 53
- March 7, London. Capt. Harry Gordon to the same. Political comment on the American question; the case of Wilkes, &c. His own treatment by the Ordnance Department. Respecting money due to deceased officers. Charges made against Monckton; the conduct of the Ministry in relation to them will make Monckton refuse any post at their hands. Believes himself that Amherst will be chosen to command in America. 54
- March 7, Carlisle. Lieuts. Watson and Guy to the same. That the papers relating to the affair between them and Capt. Stewart of the 42nd had been dropped on the road in saddle bags containing clothing, &c. Asks him to represent the case to General Gage. 57
- March 9. Lord Middleton to the same. Apologises for his long neglect in writing; has asked the Secretary at War to write Gage to give him (Bouquet) leave to come to England, where he would be eagerly welcomed, &c. 58
- March 10, London. Capt. Bentinck to the same. That, at the request of Lord Middleton, the Secretary at War had sent a letter to Gage to grant him (Bouquet) leave of absence. His (Bentinck's) regiment ordered to Glasgow, where all the officers are busy recruiting. 60
- March 10, Philadelphia. Plumsted and Franks to the same. That the time allowed for the settlement of transport accounts is too short to give notice to the claimants. 61

1764.
March 11, Philadelphia. Capt. Barnsley to Bouquet. Governor Penn will give orders for two companies to march with the convoy to Fort Pitt; is, however, afraid they may mutiny, as they have not been paid, and are in want of shoes and blankets. Colonel Armstrong's orders for the men to march. Page 62
- March 12, Philadelphia. Governor Penn to the same. Has sent orders for the companies to march with the convoy; they are to be supplied with provisions from the King's stores. Hopes the good effects of the Indian parties of Sir William Johnson will soon be felt; but wishes the rascally Delawares had been more severely chastised. 63
- March 14, Philadelphia. Plumsted and Franks to the same. Respecting the accounts for transport, the money needed for various services. Provisions forwarded. The supply bill been returned by the Governor with remarks to the Assembly, which got up in a passion, the members having no end in view but to serve themselves, &c., &c. 64
- March 15, Philadelphia. Capt. Schlosser to the same. Summary of returns sent. Has sent Lieut. Winter to Pittsburgh, in room of Lieut. Gallot, for reasons given. Respecting men entitled to discharge. The necessity of having Capt. Etherington here. Complains that postage on letters he sends on official business is charged to him. 66
- March 19. Callender to the same. The two companies of provincials are ready to join; the whole company will start from Fort Loudoun on Thursday. The arrangement he has made about loading the horses. 68
- March 20, Charlestown. Capt. J. M. Prevost to the same (in French). Returns sent and to be sent; the three companies not yet complete, from desertion, but if twice the number would desert they would be better. Scarcely a boat leaves that does not take some of his men away, and one who escaped into a house was shielded by upwards of 100 men, and no house can be entered without a search warrant. Asks leave to go to New York. Requires a sergeant major. 70
- March 23, New York. Charles Gallot to the same (in French.) That he accepts Lieut. Blane's offer for his lieutenantcy. 73
- March 24, Fort Pitt. Capt. William Grant to the same. Arrival of an Indian raft down the Alleghany. Continues the reconnoitring; is bringing planks, lime, &c., to finish the redoubt. 74
- March 24, Fort Pitt. Lieut. Carre to the same. Sends returns. Desertions. The hunter who was missing has returned, having been unable to cross some of the streams which had overflowed. 75
- March 24, Detroit. Lieut. George McDougall. Respecting returns, and remarks on alleged errors, &c. Sends muster rolls, additional returns, &c. Everything has been quiet till a few days ago, when 100 Pottawatamies came to take a scalp or a prisoner; they got neither, but killed 8 or 10 cattle. He is employed fortifying in case of the Indians attacking. 76
- March 25, Detroit. Lieut. Jehu Hay to the same. Thanks for kindness; would accept the 2,000 acres, but does not know on what conditions or where they are to be. Gladwin has written to have him appointed Fort Major or Quartermaster General. But for his circumstances he would not stay longer than till things are settled. Owing to the doubts as to the prisoners being all in life, there are uncertainties in the returns. 78
- March 25, Philadelphia. Capt. Schlosser to the same. Sends returns; remarks on the cause of desertion. Gallot has left without paying his debts. Repeats his request to have Capt. Etherington here. 79
- March 26, Shippons. Joseph Brady to Callender. Sends list of prisoners taken by the Indians, of buildings burned and of horses and cattle stolen. A party sent after them; they are certainly in the Path Valley. (No doubt the place from which the letter is dated is Shippensburg). 82
- March 27, Pensborough. Callender to Bouquet. Sends Brady's letter (p. 82) about Indian attacks. The convoy which left Loudoun, consisting of 410 horses loaded with

1764.

forage and 132 with flour, had only fifty men of an escort; had sent word to Ourry so that he might send to reinforce it. Reports the quantity of flour, &c., remaining; the danger of leaving so large a quantity almost unguarded. The fears of the people that the Indians intend to commit fresh depredations; they begin to despair of getting in their spring crop. Troops at Fort Loudoun would keep hundreds on their farms. Page 84

March 27,
Philadelphia.

Plumsted and Franks to Bouquet. The dread of the new Indian outbreak. Are afraid the conduct of the Assembly will injure the service. Hope that some true friends of liberty will go with the convoy. Hope he will bring money if he is coming to Philadelphia, as a large sum will be required. 86

March 28,
Philadelphia.

Alexander Lunan to the same. Respecting a house which he may take on lease on his arrival at Philadelphia. 87

March 28,
Lancaster.

Alexander McKee to the same. Heard no particulars about going to Fort Pitt, so came to Lancaster a few hours after he (Bouquet) had left it. Asks for payment of his account, of which the General has said nothing. 88

March 31,
Philadelphia.

Plumsted and Franks to the same. Their anxiety about the arrival of the convoy from Fort Loudoun. Are afraid the imprudent conduct of the Assembly will leave the frontiers open to the Indians, who seem determined to come in in numbers, and leave the Province desolate. Hopes he will get warrants to settle the accounts, as the back country is drained of all its money and the people are ravenous after it. 90

April 2,
Fort Pitt.

Capt. William Grant to the same. Had sent returns. His illness made him employ Sergeant Burent to write; recommends strongly that he be made an officer. Sends deposition of a boy escaped from the Indians, who says their disposition is for war, but this post may defy all the Indians in the woods. How the garrison is employed. He is longing for the convoy, and hopes it will bring live cattle, as the men are already touched with scurvy. 92

Deposition of the boy Mathias Warren follows. 94

April 2,
Philadelphia.

J. Mallet to Bouquet. Has arrived here with two mates, and is to be employed on medical attendance during the campaign under Bouquet's orders. 96

April 2,
Fort Pitt.

Capt. William Grant to the same. Had been serenaded by eight death howls by some Indians on the other side of the Monongahela; is afraid they have done mischief down the country. Will act with caution, but will give the rascals a blow if they put it in his power. 97

April 5,
Ligonier.

Capt. Stewart to the same. No Indians have been near here, except four who chased Mr. Sexton, as he was hunting. The convoy left on the 3rd for Fort Pitt; has kept the empty horses till the convoy returns, as it would not be safe to send them with only a corporal and four men. Has enclosed the pasture. 98

April 6,
Ligonier.

Capt. Stewart to the same. The express returned, having been fired on by a party of Indians at Laurel Hill; the express heard a woman among them call out in English. A party sent out could not see any of them, &c., &c. 99

April 10,
Philadelphia.

Bouquet to Horatio Sharpe, Lieut. Governor of Maryland. Has been appointed to command from Philadelphia southward, and calls on him for the services of the militia of his Province to join with His Majesty's troops; asks for such information as shall enable him to avoid any infraction of the provincial militia law whilst employing these troops, and also for special permission to employ them for escort duty necessary in the case of Fort Pitt, which is most important in keeping the Indians at a distance, &c. 100

1764.
April 10, Detroit. Ensigns Christie, Schlosser and Pauli to Bouquet, calling attention again to their claim for losses sustained during the Indian war, and their hopes of preferment. Page 102
- April 10, Fort Pitt. Thomas Hutchins to the same. Arrival of the convoy of 800 horses without seeing any of the enemy. Sends plans and explanations. Had closely examined the boy who escaped from the Indians, but can get little information from him; when they have done planting corn it is expected they will move against this post. The works done at the post; the merit of Sergeant Burent who deserves promotion. 103
- April 11, Philadelphia. Bouquet to Francis Fauquier, Lieut. Governor of Virginia, similar in substance to that addressed to the Lieut. Governor of Maryland (p. 100 respecting provincial troops. 106
- April 11, Detroit. Lieut. McDougall to Bouquet. Returns sent of the Royal Americans; want of clothing, yet Major Gladwin says he never commanded better men. 108
- April 12, Fort Pitt. Sergeant Burent to the same. Has offered Lieut. Potts £100 for his commission, and trusts he (Bouquet) will advance a part of the amount to be repaid. 109
- Letter of same date, explaining the reason for making the offer (p. 109). 110
- Another letter of same date on the same subject. 114
- April 13, Fort Pitt. Capt. Grant to Bouquet. Thanks for his letter of approbation, with remarks on malevolent reports. Progress of the works at the post. Has sent an escort with Lieut. Carre to Bedford. Work in the garden, sowing corn, &c. Report of survey on pork shows the damage from the villainy and negligence of some people; means taken to save further damage. All quiet and nothing to be feared from the Indians. 115
- April 13, Fort Pitt. Lieut. Potts to the same. Respecting the adjutancy for Sergeant Burent. 127
- April 14, London. Capt. Bentinck to the same. Urging him to come over, leave of absence having been given by letter from the Secretary at War to Gage, as men without pretensions are receiving promotions which he (Bouquet) should have (Continued in French): Is glad to see by letter just received that he has left that devil of a place, Fort Pitt. Respecting the money affairs of Ensign Cully. Political news, &c. 117
- April 14, Fort Pitt. Deposition of Gershom Hicks, who had escaped from the Shawanese, who took him prisoner near Muskingum last May; the transfers made of him to various Delawares, with an account of the state of the tribes, &c. 121
- Letter from Capt. Grant, dated the 15th, containing the deposition made by Hicks. 126
- April 15, Lancaster. Receipt by Alexander McKee for money received on Indian account. 125
- April 16, Fort Cumberland. Col. Stephen to Bouquet. Complains that the flour he sent for the troops had been refused. 128
- April 16, John Solomon Cline to the same. Representing his situation and praying not to be sent to Philadelphia. 129
- April 18, New York. John Watts to the same. Conjectures as to the new Commander-in-Chief; political changes, &c. 130
- April 19, Williamsburgh. Governor Fauquier to the same. That the council refuse to allow the militia to leave the Colony on any account; by this, therefore, they cannot be moved to any posts, nor escort provisions, &c., if they do they will not be paid. How the Pennsylvanian forces are distributed. 131
- April 21, Annapolis. Governor Sharpe to the same. That he has written Colonel Thomas Pratter to ask for volunteers to escort provisions, &c., but doubts if any can be got. States the terms of the Act of Militia; arrears of pay

1764.

being due to the militia since 1756, will account for their backwardness. The present distribution of the militia to the westward, and what has been done with them on previous occasions, &c. Page 133

April 24, Fort Pitt. Capt. Grant to Bouquet. The examination of Hicks sent; he shall be taken care of. The escort that went with Carre returned; they saw no Indians. The difficulty of getting men to go on express unless they are paid in advance. 144

April 25, New York. Major Small to the same. His accident, and other causes, delay him here. Movements of officers, and other details. 136

April 25, Fort Pitt. Capt. Potts to the same. Has made returns in accordance with the instructions of Lieut. Carre. Hicks sends a second deposition (for the first, see p. 121), which proves him to be a notorious villain. 138

April 26, Philadelphia. Capt. Schlosser to the same. Powder, arms, &c., received; the old will be taken in and exchanged for new arms, &c. Sends returns, with remarks. The musicians refuse to play and are insolent; will have them punished. Sends letters. Men applying for their discharge. 140

April 26, Fort Pitt. Lieut. Winter to the same. Has arrived. Capt. Grant sends the history told by Hicks. Returns forwarded. 142

April 26, Philadelphia. Governor Penn to the same. Introducing Mr. Owen, who is not much to be trusted. 143

April 26, Philadelphia. The same to the same. Owen, ordered to meet him, is now at Philadelphia, but the boy he was to bring in too ill to move. He takes five scalps with him, of which he will tell his own story. Asks for a guard for the Indians, as he is afraid they would not be safe if left to the mercy of so many enemies in town and country. Will Sir William Johnson succeed with the Indians? A good trimming would be better. 145

April 27. Andrew Lewis to Lieut. Brown. That Bouquet is to get 200 volunteers, whom he is to pay himself, &c. 146

April 27, Ligonier. Capt. Stewart to Bouquet. Returns sent. Hicks has made a full confession. Hopes to be able to give a good account of the Indians should they attack the post. An Indian seen by the express at Creighton's plantation. 147

April 28, Carlisle. Bouquet to Alexander Stedman. Respecting Solomon Cline, a deserter, and his release by the Court of Common Pleas, with a remonstrance. 148

April 29, Bedford. George Woods to Bouquet. Respecting the damage done to his buildings, &c. 150

April 30, Bedford. Charles Menzies to the same. Has sent off letters for the General and him (Bouquet) by a commissary's clerk. 151

May 1, Detroit. Lieut. Brehm to the same. Asks that his proposal to retire may now be recommended, and that he be allowed to retire on full pay, as he sees no hope of preferment. Some Indians have been trying to get scalps or prisoners, and had to go off after killing a few cows, and the last party fired on three men, but did no harm. An escaped prisoner from Saginaw said the Indians had killed several persons this spring, and that they are coming in great numbers to take the fort. Contradictory reports of their intentions, but Gladwin is prepared for them. Some friendly Hurons have been allowed to plant corn near the fort. 152

May 3, Carlisle. Bouquet to Lieut. Menzies. To send expresses by good woodsmen, who shall be paid on his certificate. General orders for the garrisons sent, and to be distributed. All stores to be delivered to the conductor of artillery; he (Menzies) to keep the keys of the liquor, clothing and hospital stores, &c. Regulations as to expenses incurred. Command money for officers at posts. 155

May 5, Carlisle. The same to Col. Stephen. Explaining why his flour was not taken. 154

May 5, Philadelphia. Capt. David Hay to Bouquet. The powder and flints could not be sent for want of waggons; they shall be sent off under escort to Lan-

- 1764.
- May 6,
Philadelphia. D. Hamback to Bouquet. Sends bill of exchange to meet the bill drawn on him (Bouquet) to pay the amount received from Lieut Jenkins. 157
- May 7,
Lancaster. Col. Reid to the same, stating the circumstances connected with the retirement of Lieuts. Campbell and Cameron. 159
- May 10,
Philadelphia. Capt. Cochrane to the same. Accounts, movements of officers, &c. 161
- May 10,
Bedford. Lieut. Menzies to the same. Dispatches forwarded to Ligonier. The other express has returned safe, having been sent on to Fort Pitt. Has transferred the care of the tools to the conductor. Houses burned at the crossing of the Juniata by pack horse drivers. 162
- May 10,
Philadelphia. Capt. Barnsley to the same. Has forwarded garden seeds, orderly books, &c. Notes on the accounts. Arrangements for sending off invalids. Movements of officers. The Assembly is to meet on the 14th, and it is expected it will do as much as at last meeting. 164
- May 12,
New York. Lieut. F. McKay to the same. Has arranged with Lieuts. Hutchinson and Aug. Prevost for the difference between full and half pay. Hopes to get accounts settled and to leave for Montreal. 165
- May 12,
New York. Col. James Robertson to the same. Has obtained warrants for forage money, and has settled and remitted his (Bouquet's) share. Asks him to take a horse off his (Robertson's) hands. 166
- May 13,
Berks. Jacob Kern to the same. Offers his services with waggons for the army. 167
- May 15,
Carlisle. James McCallister to the same. Has looked out a road from his mill to Lyttleton; the distance through the hills is about 15 miles, where there are no obstructions to making a good waggon road, &c. 170
- May 15,
Fort Pitt (?). Capt. Grant to the same. Has divided the lower town into small lots for gardens, but the men don't seem to take to them. General orders distributed. Works on the fort, &c. The men recovered from the scurvy. The fort is impregnable, so that the Indians will give no amusement, though shots were heard last week across the Alleghany. The shot might have been a signal to Hicks, who is now in fetters; he says several Delawares died after their return home of wounds received at Edge Hill and that he would make a good pilot. Does not believe that many Indians are on the communication, as they must be in terror of other Indians taking up the hatchet against them. Is pleased that he (Bouquet) has taken up Burent's affair; Potts sends his resignation by this express, &c. (The letter is endorsed "from Philadelphia," but is evidently from Fort Pitt, where Grant was stationed). 171
- May 15,
Fort Pitt. Lieut. Potts to the same. Respecting his resignation and forwarding various returns. 174
- May 15,
Fort Pitt. Thomas Hutchins to the same. Thanks for the approval of the plan sent. Is sorry that there are doubts about the extra pay to Burent. Tools will be delivered as ordered. The bateaux all repaired. Works at the fort, making the post impregnable to savages. 176
- May 16,
Lancaster. Michael Haverstick to Colonel Reid and Edward Shippens, commissioners, applying to be allowed for his waggon, as his waggoner was killed. Mr. Shippen recommends that the request be complied with. 177
- May 17,
Ligonier. Capt. Stewart to Bouquet. States what letters he had sent. Forwards the concession to be signed by the two Lieutenants, which he would not have accepted but for his (Bouquet's) representation and that of Colonel Reid. Storekeeper has been struck off according to orders. Looks for his (Bouquet's) arrival; he is out of every necessary; has done everything possible for the inhabitants, though some of them don't deserve it. Three ploughs are busy at work, and he has supplied horses, but has

1764. still some in daily use. Has given the people at work a guard. Has discovered a coal pit within 40 yards of the fort; the smith says the coal is extremely good and in great quantity. None of the copper faced rascals have been seen near. The express from Fort Pitt saw two about two miles from that place. Page 179
- May 19,**
New York. Col. Reid to Bouquet. The General has approved of the proceedings of the commissioners at Carlisle and Lancaster. Information given of how certain of the accounts are to be settled. 181
- May 22,**
Lancaster. Mathias Slough to the same. Recommends payment of account for a waggon, horse, &c. 72
- May 22,**
Fort Loudoun. Capt. Schlosser to the same. His arrival. Details of men who have been lost by desertion or otherwise. 182
- May 24,**
Fort Loudoun. Capt. Murray to the same. Sends monthly returns. Arrived on the 13th and joined by Schlosser on the 21st. There is no ammunition, except a few rounds left in the men's cartridge boxes since last campaign. Schlosser brought powder but no ball. 183
- May 24.** Reference to the monthly return of six companies of the 1st Battalion Royal American Regiment sent to Lieut. Dow. 184
- May 25,**
New York. Col. Reid to Bouquet. Is obliged for the permission to remain here. Concerning the affairs of Lieutenants Campbell and Camerou. Recommends that Lieut. Dow be employed under his (Bouquet's) command. Movements of officers. Lieut. Cathcart declines Capt. Schlosser's offer to sell at the price he names, but will close with Barnsley for £1,500 sterling. 185
- May 25,**
Pittsburgh. Capt. Grant to the same. Returns sent. All quiet. Immense swarms of locusts; they have done no harm yet, but is afraid of their ravages; their numbers are surprising. 187
- May 25,**
Fort Loudoun. Capt. Schlosser to the same. Sends returns, with remarks. Mr. Potts has asked him to bring him stores to Pittsburgh, but as he does not know how to bring them up, asks if means can be supplied. 188
- May 25,**
Charlestown. Capt. Cochrane to the same. Has arrived; the ship got aground off Cape Hatteras, but was taken off safely. The intricacy of his accounts, so many officers having had charge of parts of his company; hopes they will be settled, and that he be not concerned with the company till he join it. Remarks on items of the accounts. Shall send instructions to the posts to treat the Indians civilly, but never to be off their guard; not to allow the men to straggle, and to repair their posts. 190
- May 26,**
New York. Major Small to the same. Thanks for kindness. Hopes that the Assembly of Pennsylvania will show such public spirit as to enable him (Bouquet) to carry out his plans, so beneficial for that Colony. Unfavourable accounts from Florida, &c., &c. 193
- May 27,**
Elkridge. Capt. Ireland to the same. About horses and dogs. 195
- May 27,**
Ligonier. Capt. Stewart to the same. Arrival of a corporal and four men from Fort Pitt; they saw no Indians. Two of the garrison were fired at on the 22nd, and next day an Indian was seen by the sentry attempting to shoot an inhabitant. Some of the inhabitants allowed to go to Bedford with an escort, and horses sent to bring grain for sowing. Has written to Mr. Menzies to assist the people to get grain, &c. 196
- May 28,**
New York. Robert Leake to Callender. That he is to furnish security for performing his engagements. 198
- May 28,**
Charlestown. Capt. Ralph Phillips to Bouquet. Explains what was done with the horses he got to carry baggage to Carlisle. 199
- May 28,**
Bedford. Lieut. Menzies to the same. The Indians have taken a soldier prisoner and shot a number of horses near Ballemore's house; they are believed to be a strong party. 201

1764.
June 1,
Fort Pitt. Capt. Grant to Bouquet. Is anxious about the safety of the corporal and four men he sent to Ligonier (p. 196), as the Indians are discovering themselves pretty freely. Details of their outrages and appearances, each day being noted. Does not, however, believe they are in such numbers as to dare to molest the troops. He has sent word to the posts. All the Indians in creation cannot molest his post. Page 202
- June 4,
Ligonier. Capt. Stewart to the same. Arrival of express; the two men report having seen Indians on the road and heard guns fired. The gunsmith from Piper's company has arrived; by the orders he brought from Colonel Armstrong the men will be of little service. 204
- June 5,
New York. Col. Reid to the same. Respecting accounts; the affair between Capt. Stewart and the two lieutenants settled. Has sent list of officers of the 42nd to take the field. The resignation of Lieuts. Campbell and Cameron accepted. 205
- June 5,
Fort Cumberland. Major Livingston to the same. Has been left with only six men, Colonel Stephen having been obliged to remove his, and those left will only wait for a short time. A large body of Indians attacked white people in a field near Fort Dinwiddie, killed 15 and wounded or killed 16 more; attacked the fort, but could not take it. Other outrages reported. It is supposed that there must be three or four large bodies of Indians. As large a garrison as possible should be here, as many of the inhabitants are gone and the rest going unless there is some protection. 206
- June 5,
Fort Cumberland. Capt. Murray to the same. Recapitulates the contents of previous letters. Reports Indian outrages, giving the particulars. 207
- June 6,
Pensborough. Callender to the same. Has settled with the people, except for about £1,000, of which he is short. The people satisfied and will join the service again. Has yet no instructions from Plumsted. Sends copy of Leake's letter (p. 198). Sends Lowry's information about the navigation of the Ohio. 209
- June 6,
Lancaster. Edward Shippen to the same. Transmits accounts, for which he earnestly desires a remittance, &c. 210
- June 7,
Ligonier. Capt. Stewart to the same. Sends a summary of Capt. Grant's letter about Indian outrages. Scout under Ensign Smith discover nothing; Smith will have to return to his station. The party from Fort Pitt sent back. 211
- June 7,
Carlisle. W. Plumsted to the same. The satisfaction of the people at being settled with; they will re-engage. Remarks on the settlement. 213
- June 8,
New York. Lieut. Prevost to the same (in French). Introducing Lieut. Hutchison. 214
- June 9,
Carlisle. Col. Armstrong to the same. In an attack by Indians near Loudoun they killed six or seven prisoners and escaped. Sends express with dispatches. The pressing calls for help from the people. 215
- June 9,
London. John Calcraft to the same. Has received receipt for clothing, which will enable the accounts to be passed. Respecting the disposal of the balance of the regimental accounts. 216
- June 11,
Philadelphia. Bouquet to Major Livingston. Has received the news sent of Indian depredations; wishes the Virginians could be brought to see the propriety of joining their troops to the regulars, as the only way to end these outbreaks. Has sent 20 men to garrison Fort Cumberland; when they arrive no one else is to be supplied with provisions except the garrison. The provincials getting ready; they will be sent to draw the enemy from the inhabitants. 217
- June 12,
Conogoshague. Henry Prather to Bouquet. Applies to be employed during the campaign. 218
- June 13,
New York. Col. Reid to the same. That, contrary to his opinion, the General has ordered down Lieuts. Menzies and McCulloch. Four officers are expected from London. Movements of officers. 219

1764.
June 14, New York. Ourry to Bouquet. His accounts are undergoing examination, a trial of patience. Page 220
- June 16. Capt. Potter to the same. Has raised a brigade of horses for the service; recommends the appointment of James Chambers and William Finley as horse masters. 250
- June 17, Fort Loudoun. Capt. Schlosser to the same. Monthly returns, with remarks. Men sent off under Lieut. McIntosh to garrison Fort Cumberland. 221
- June 17, New York. Col. Reid to the same. Thanks for kindness; explains the cause of his detention here. Regimental affairs. 223
- June 17, New York. Capt. James Robertson to the same. Money matters. Ensign Gladwin has not gone to his post, as ordered, but has fled to Philadelphia 225
- June 18, Philadelphia. Bouquet to William Rutherford. That he will cheerfully accept the offer of volunteers from Virginia, to serve without pay against the Indian towns on the other side of the Ohio, and supply them with ammunition and provisions as requested, the men to be at Fort Pitt by the 1st October, and on their return to be at liberty to retire to their homes. Desires to know how many would join, so as to arrange about provisions. 226
- June 18, German Flats. Sir W. Johnson to Bouquet. That he will require not less than 1,000 men on the expedition to compensate the activity and knowledge of the country the Indian possess. Considerations as to the propriety of an expedition by water on the Ohio and Muskingum. The description of men wanted; the disposition and intentions of the enemy. Will do all in his power to send a body of friendly Indians by way of Presqu' Isle. The difficulty of feeding the Indians; shall supply them with provisions and clothing at Niagara. Unfortunate mistake of a sergeant at one of the outposts in firing on a party of friendly Indians. Will inform him of arrangements on reaching Niagara. 228
- June 18. Col. Cresap to the same. Asks where he can join for the expedition, for he and his son can come with a party of volunteers if he receive timely notice. 231
- June 19, Lancaster. Matthias Slough to the same. Can get no waggons for the expedition on the terms offered. 232
- June 22, Carlisle. Lieut. Duncan Campbell to Bouquet. Two deserters recaptured and sent to gaol. 233
- June 23, Fort Cumberland. Major Field to the same. Complains that after 13 days and nights hard duty he could get no provisions on his arrival. Has learned that he (Bouquet) is to have 1,000 men from Pennsylvania. The Legislature of Virginia will do nothing, but there would be large assistance of volunteers, if they knew the time to march, of which he asks information. 234
- June 23, New York. Ourry to the same. His earnest desire to be under his (Bouquet's) command. 235
- June 23, New York. Major Small to the same. That he will join him (Bouquet) with Col. Reid, unless he receive contrary orders; other officers expected to join. A vessel with ordnance and hospital stores, &c., is leaving for Philadelphia. Movements of officers. 236
- June 24. Lieut. Watson to the same. Sends papers (respecting the quarrel between him and Capt. Stewart). Wishes to get a commission in a provincial corps for the expedition. 237
- June 24, Cumberland. Major Livingston to the same. Sends statement respecting provisions; how disposed of, &c. 238
- June 24, New York. Col. Reid to the same. Arrangements about officers, provisions, money, &c., for the campaign. Convenience of having sutlers. 240
- June 24, Fort Cumberland. Lieut. McIntosh to the same. Has arrived here with men of the 42nd and 60th Regiments, as a garrison for the post (1 sergeant, 1 corporal and 19 men). Asks for further instructions about the issue of provisions. 242

1764.
 June 24,
 Fort Loud-
 doun. Capt. Murray to Bouquet. Sends returns. Has received balls, and supplied each man with 18 rounds; the rest in store. Page 243
- June 25,
 Fort Pitt. Capt. Grant to the same. Sends returns. A scout of Pennsylvanians under Ensign Smith had been down the Ohio to Crow's town, but saw only old tracks. The locusts and grasshoppers have defeated all attempts at gardening in the King's garden, but the new garden has done wonderfully well. 244
- June 25,
 Fort Pitt. Same to the same. Returns of provisions; everything safe under Sergeant Burent's care. 246
- June 25,
 Fort Lou-
 doun. Capt. Schlosser to the same. Sends returns, with remarks. Deser- tions. 247
- June 25,
 Fort Pitt. Lieut. Potts to the same. The General has agreed to his resignation, but would cheerfully serve if there is to be a campaign this summer. 248
- June 27,
 Winchester. Thomas Rutherford to the same. The steps he is taking to secure volunteers among the frontier woodmen, who are greatly irritated against the savages on account of their butcheries, &c., &c. The names of the commanding officers of the militia. 251
- June 28, |
 Ligonier. Capt. Stewart to the same. Sends returns; no sign of Indians about the post; wishes the poor inhabitants could say the same. There are dismal accounts of the ravages of the Indians. If the Legislature does not exert itself, he wishes the whole of the members were scalped. Arrival of Ensign Smith, with his scout, from Fort Pitt. 253
- June 30,
 Caneycock-
 seg. Thomas Small to the same. Asks for employment during the cam- paign. 254
- June 30,
 Lancaster. Capt. Trent to the same. Offering goods for sale. 255
- June 30,
 Fort Lou-
 doun. Capt. Schlosser to the same. Has dispatched the advertisements offer- ing pardon to deserters returning; does not expect many to return. Respecting recruiting. The delays caused by the waggons. 256
- June 30,
 Bedford. Lieut. Menzies to the same. How letters have been sent. Balls and cartridge paper forwarded to Capt. Murray. All quiet here. 258
- July 1. Samuel Brady to the same. Asking for his recommendation, that he may obtain a commission in a provincial corps. 259
- July 1,
 Carlisle. Lieut. Campbell to the same. Repeating his request for leave to go to Lancaster. 260
- July 2,
 Carlisle. Conrad Bucher to the same. Asks for his influence to procure a captain's commission in the troops of Pennsylvania. 261
- July 3,
 Lancaster. Matthias Slough to the same. Asking that the furlough of Ludovick Stone, a soldier in the Royal Americans, be extended, as he hopes to be able to get his discharge. 262
- July 5,
 Philadelphia. Bouquet to William Rutherford. Is glad to find that the frontier people are in a favourable disposition to put an end to the war; there is no other way but by attacking the savages in their own towns. Cannot give the volunteers the pay allowed by the Province, that being against the provincial law, but those who have all at stake should not let this question of pay lead them to neglect the only opportunity of chastising these enemies and making them observe their treaties. The heavy expense to the Crown for this expedition leaves little hope of another so that if neglected the war may last till the Indians are tired of it, but with the cheerful assistance of 300 or 400 good woodmen every Indian town about the Ohio may be burned. A reward is to be offered for scalps, which may encourage the volunteers. Colonel Cresap and Major Field have offered volunteers, and other well disposed people should be prevailed to join. Must know the number, to prepare every thing for them.

www.libtool.com

... him to raise volunteers; cannot give provisions and ammunition; they may join the enemy. The number of regular troops of the war must depend in great measure on the campaign for reasons given. Page 267

Respecting accounts and regimental pay, 269

... Has received forms of returns, which shall be left with Burent. All instructions, &c., shall be left with Burent. 270

... to the same. Does not know to whom to apply for that served here last summer; has advanced money and desires to know how they are to be charged, as he accounts. 272

... to the same. Burent put in orders as adjutant; arms supplied with necessaries; a number applying for dis- 273

Burent to the same. Gratitude for his promotion. Sends due, &c. 274

casualties from 17th March, 1763, to be accounted for by the from Niagara and Detroit. 276

... for Fauquier to Thomas Rutherford. Agrees that the most way to put a stop to the incursions of the Indians is to carry the their country, but the law prevents him from taking a step of nature. All volunteers, therefore, who wish to join the expedition look to Bouquet, the Colony having made no provision; they left to judge for themselves as to their course; he can do noth- 278

Grant to Bouquet. Hutchins shall commit to paper what can be from Hicks. The care taken of powder, flour, &c. The artillery being cartridges. Burent's appointment has been notified in general terms. Thanks for services done him. All quiet; no enemies but grass-oppers. Locusts and Indians have both disappeared, &c. 279

Capt. Stewart to the same. Letters received by a corporal and four men; would have sent them on but for signs of Indians lurking about. In the belief that the provisions would only last a month, had proposed to the troops to shorten the allowance, which they refused. Had since found by actual survey that there is no need to do so, and is relieved, as the men had packed up ready to go to Bedford for more provisions. They are doing their duty without murmuring, but he will try to find the ringleader in the affair of the provisions. Oats brought from Bedford, which are sown and promise to be a good crop; hay cutting, gardening, &c. Is glad the Province has at last got to its senses. 281

Nathan McCulloch to the same. Will with great pleasure go on the campaign, trusting to his recommendation in case of a vacancy. 283

Capt. Schlosser to the same. Arrival of Hutchison, Carre and Prevost. Carre has gone to Bedford. Deserters coming in. 284

Lieut Carre to the same. Has had charge of the post and stores handed to him by Lieut. Menzies. Asks instruction as to supplying provisions to the provincials. The communication infested by small parties of Indians, who have pursued a corporal and four men returning from Ligonier; a man of the escort from Loudoun was fired at and pursued. 285

Matthias Slough to the same. Is unable to accept the offer made him owing to his public engagements. The dangerous illness of Stone (p. 26) unless a change take place he will take his own discharge.

1764.
July 12, Bedford. C. Brady, surgeon, to Bouquet. Has kept no account of the daily administration of medicines. Has no warrant for his appointment, but hopes to be kept on full pay during service. Reported shooting of a man of the Royal Highlanders by an Indian, but which turns out to have been the result of an accident. Page 27
- July 13. John McCallester to the same. Repeats his offer to go on this campaign. 28
- July 13, Detroit. Lieut. Brehm to the same. Urges reasons for being allowed to retire on full pay. 29
- July 13, New York. John Watts to the same. A private letter, chiefly relating to personal friends, &c. 30
- July 14, Detroit. Lieut. McDougall to the same. Sends returns; reports on the state of the clothing at Niagara; what was good he brought to Detroit and served out to the men who had been prisoners. The scarcity of coats must buy. The men healthy and desire to join the expedition. Rec- mental affairs. 31
- July 15, Paxton. John Harris to the same. Applies for the employment of his brother as armourer during the campaign. 32
- July 17, New York. Col. James Robertson to the same. That the General has agreed to the proposal respecting Barnsley. 33
- July 18, Detroit. Lieut. McDougall to the same. Respecting men exchanged. Indians asking for peace. The Delawares and Shawanese told to go to Fort Pitt or to Sir William Johnson to obtain it. 34
- July 19, Philadelphia. Bouquet to John Harris. Cannot employ his brother. After all the boasting of the frontier men they are going as waggoners and drivers instead of going as soldiers. People will say they found it easier to kill Indians in gaol than to fight them fairly in the woods. Is more concerned this meanspirited behaviour and the little assistance given by the frontier inhabitants, as hereafter they may be left to fight their own battles; but exempt from taxes, Government had a particular right to their personal services, to make some amends for the large sums of money laid out for their protection. They have called loudly for a reward for scalps, but does not hear that any of them have stirred to procure it. The Virginians have offered to serve without pay, but not a single man of this Province has done so. Is so disgusted with the backwardness of the frontier people that he hopes this will be the last time he will have to risk his reputation for their sake. 35
- July 21, Philadelphia. W. Moore to Bouquet. Petition for an allowance like others, and will serve faithfully during the campaign. 36
- July 21, New York. Col. James Robertson to the same. The Quartermaster-General's branch with him is to be fully supplied. No restriction to be placed on recruiting; the commanding officer of each regiment is to act for the best; remarks on the recruiting fund. 37
- July 22, Niagara. Lieut. Dow to the same. Arrival of officers. Indians gathering at the post; if the rest of the Senecas (of whom a few have come) do not arrive, the colonel will go to them, but unfortunately the provincials are the poorest wretches ever beheld. Gives a list of the troops. rambling letter. 38
- July 22, Charlestown. Capt. Cochrane to the same. Sends returns; the trouble he has with deserters from the independent companies. The Province is to be at Fort Moore, but it is not settled if Fort Prince George is to be rebuilt and provisions are to be transported at the expense of the Province till the 1st January; reasons for this. Is sorry for the desertions from Fort Loudoun. Indians again doing mischief. 39
- July 23, Fort Loudoun. Capt. Schlosser to the same. Respecting leave to a soldier; exercise, &c. Recruiting expenses settled. Returns sent; settlement of deficiency in barrack bedding; great part of the men have been sent to

1764.

the expense must fall on the companies. Leaves to him (Bouquet) the settlement of the provision account. Sends monthly return, with remarks. Page 308

July 23,
Philadelphia.

Capt. David Hay to Bouquet. Respecting a deserter who has been bought off. 310

July 24,
Fort Pitt.

Capt. Grant to the same. Sends returns. No enemy seen since Ensign Smith left. The work of harvesting is over, so that the men will have ease for some time. Mutiny about flour fomented by men from the 77th and 60th; the mutiny settled on promise of forgiveness. Their complaint about not receiving their pay is not without reason. Reid sent up bills on Philadelphia for subsistence, but these are of no use, as money cannot be got for them here; has asked Reid to bring the men's subsistence; if not the consequences will be bad. 311

July 24,
Fort Cumberland.

James Livingston to the same. Returns sent. Tracks discovered in the woods and shots heard. A captain and 40 men sent off to look for the enemy, but have not yet returned. Another party seen at Fort George, of whom the scouts are in pursuit. 313

July 24,
Carlisle.

Col. Reid to the same. Returns sent and regulations received, which he has distributed. Sends Lieut. Campbell's resignation to be forwarded to the General. 314

July 25,
Fort Loudoun.

Capt. Murray to the same. On a report of a woman being killed, sent out a party who found that one woman had been killed and scalped and that another was missing. The party found the tracks of six or seven Indians, but was obliged to return to camp. 315

July 25,
Fort Cumberland.

George McIntosh to the same. Sends returns of provisions, including those drawn by Major Livingston. Artillery returns to be sent by the Major. The barracks, &c., must be repaired. 316

July 26,
Augusta.

Col. Lewis to the same. Has pressed on the Governor the necessity of raising men to attack the Indians, but the Assembly will only raise men for the defence of the frontiers. Has 500 men fully qualified to attack the Indians, but cannot march them contrary to the orders of the Government. All he can do is to urge the Governor to call out the militia from the interior, so that the men here may join the expedition. Has still hopes of getting volunteers from the southern part of the Colony when he knows his (Bouquet's) movements, but doubts if they will go by any other road than by the Kanawa, for reasons given. 317

July 26,
Carlisle.

Col. Reid to the same. Sends Murray's account of the slaughter of the woman (p. 315); the barbarous circumstances. Nothing new here. The Pennsylvanians have not received their clothing, nor have their kettles arrived. 319

July 26,
Ligonier.

Capt. Stewart to the same. Arrival of a corporal and four men from Fort Pitt, who saw no enemy on the road; supposes they are afraid, or have gone to join the others against Bradstreet. Returns sent; the men working cheerfully, but growling at the salt provisions, &c. No cash for bills; has written for money. Rogers has arrived with dry goods and rum; wishes there were some at Fort Pitt. 320

July 27,
Bedford.

Lieut. Carre to the same. Forwards packet from Fort Pitt. Will the pay of a gardener be allowed? 321

July 28,
Winchester.

Major Field to the same. Stephen discouraging the expedition, but he (Field) will be at Fort Pitt with a party on the 25th of September. 322

July 28,
Winchester.

Col. Stephen to the same. His readiness to forward the service, so far as the constitution of the Colony and his orders permit. The men employed by Virginia have 1s. 6d. a day and provisions and ammunition found, so that it will be difficult to leave their pay and go out of the Colony as volunteers. Will speak to the men. 323

July 28,
Lancaster.

John Bowlen to the same. Asks if he can recover the bounty stopped from him. 324

1764.
July —, Col. Reid to Bouquet. Some of the Pennsylvanians are low and very old men, but on the whole hardy; their arms will be all repaired tomorrow, but neither their clothing nor the officers' uniforms arrive. Other two companies are to be raised, which it will be difficult to do in harvest. Has communicated instructions. The adjutancy refused by Bucher for the ordinary pay; how the objection might be obviated. Page 325
- July —, Col. James Robertson to the same. Accident to his wife. Note of the pay and allowances of a brigadier. 326
- August 2, Thomas Rutherford to the same. Encloses the answer of the Governor of Virginia respecting the volunteers. Letters received sent to the various addresses. Col. Lewis proposes to raise 300 or 400 men; gives a summary of his letter (see p. 317). His remarks on the proposal march by Kanawa. The word of Col. Lewis may be trusted. Stephen trying to thwart the measure in this quarter and he has great influence the means he uses. He and his sycophants "are constantly bawling out that the Government are capable of undertaking and executing an expedition against the enemy and that it's scandalous to join another. Still he believes that not less than 200 volunteers will join, perhaps more as all the young men are eager for it, and nothing but Stephen's measures could prevent them joining. Believes that a considerable number of Cherokees could be got, as there is an inveterate war between them and the Shawanese. 327
- August 2, W. Dunlop to the same. Sending letters (list follows) to be delivered on payment of the postage. 328
- August 6, Lieut. Dow to the same. Sir William Johnson has made peace with the Delawares and Shawanese, for which he is sorry; they have delivered up a good many prisoners. The troops march this day for Fort Schlosser to embark; his unfavourable opinion of the new boats. The Indians consumed here nearly 3,000 rations daily; one day they had 4,000. (The letter is dated "Niagara. The Blessed.") 329
- August 8. Copy of Stephen's letter to the "Officers and militia employed in Hampshire and Frederick County," denying the report that he is an enemy to the volunteers going on the expedition. Encourages all who choose to go and will grant them discharge. 331
- August 9, Obligation and attestation of a recruit for the 60th. 332
- August 10, Matthias Slough to Bouquet. Asking the acceptance of a man to take the place of Stone, so that the latter may obtain his discharge. 334
- August 10, Bouquet to Governor Penn. Sends report of court of inquiry on Jacob Kern for inciting men to desert. Desertions continue; nearly 200 men wanting, who he requests, may be supplied by recruiting. Sends an affidavit against one Knight for harbouring deserters; the opposition in Lancaster County to their recovery. 265
- August 11, John Cream, who signs himself a gentleman and soldier to the King, asking for orders to join. 335
- August 14, W. Ritchie to Bouquet. Forwarding a letter from Capt. Basset, received by the ship "Philadelphia." 337
- August 14, D. Franks to the same. Sends newspapers brought by the "Philadelphia." 338
- August 14, Alexander Lunan to the same. Has received power of attorney to settle certain money matters. On the "resolves" getting home, "the Ministry and even friends, on seeing them and the lengthy petitions concluded we had gone mad, and would scarcely credit what they read. I presume Mr. Dunlop sends Mr. Galloway's speech, so I shall not." 339
- August 15, Peter Bard, commissary, to the same. Sends reports of the stores. Waits orders in reference to Col. Armstrong's application for arms, &c. 340

1764.
August 16,
Philadelphia. B. Franklin to Bouquet. His letter to the Governor laid before the Board, which was thin. He was the only one who spoke in its favour, and to prevent a harsh refusal proposed to refer it to this day, when his (Bouquet's) requisitions were complied with and the money shall be sent. Sends the papers promised: "Hints how to conduct an Indian War," although he thinks there is nothing new in them. Remarks on the elections in Poland and on the Russians entering "with an army to preserve peace! and secure the freedom of the elections!" In order to meet the attacks of enemies charging him with opposing and obstructing His Majesty's service, he sets out the services he had rendered on all occasions (specifying them), and asks him (Bouquet) to take occasion in some letter to express his sentiments on his (Franklin's) conduct in this respect. Page 341
- August 16,
Philadelphia. Capt. James Young to the same. That the Governor and commissioners have agreed to allow £3 per man and 20s. to the officers for raising 200 men to complete the Pennsylvanian Regiment, and have directed him to supply the money. How it may be drawn for. 344
- August 17,
Paxton. John Harris to the same. His exertions to raise volunteers, and little success for reasons given. 345
- August 17,
Williams-
burgh. Governor Fauquier to the same. His readiness to concur in every measure for the good of the service which the laws of the Colony will permit. How the volunteers are to be raised. Hopes that Col. Stephen's conduct has been misrepresented, and is disposed to believe so from receiving an application from Major Field, belonging to Col. Stephen's district, for a commission for the expedition, which he cannot grant, but he would be glad should Field be employed, as he may be useful. 350
- August 19,
Fort Loud-
doun. Major Small to the same. Arrival of Capt. Hay, with ordnance stores and six gun carriages, which were put in position. The escort consisted of Capt. Webb and 36 Pennsylvanians. Disgraceful conduct of a sergeant's guard in allowing two captured deserters to escape under very discreditable circumstances. Vague reports of the enemy being in caves not far from here, which may reasonably be disregarded. 355
- August 19,
Frederick
County. Affidavit of Richard Hogeland that Col. Stephen tried to engage him as a pilot for an expedition against the Indians, and said he was opposed to that under Bouquet, and would do all in his power to prevent men from Virginia joining it. 346
- Affidavit of Tuckett Morgan as to the attempts of Col. Stephen to deter men from joining Bouquet's expedition. 347
- Others to a similar effect from James Chew and Jacob Pucket. 348, 349
- August 19,
Carlisle. Capt. John Holmes to Bouquet. Offers the services of his company for the expedition. 352
- August 20,
Ligonier. Capt. Stewart to the same. That the last of the salt provisions will be expended by the 24th; with some flour and three cows there will be provisions for some time longer. Has found out eight or ten of the ringleaders when the men refused to be put on allowance, and shall confine them when the convoy arrives. Their reasons for refusing. Desertions, &c. Is getting wood ready to make beef casks. 353
- August 21,
Juniata Hill. Capt. Williams to the same. The road is made on Sideling Hill; the road up the hill was very bad, but the force with him worked so as to deserve credit. Shall go next to the foot of Ray's Hill and mend the road to Loudoun. 356
- August 21,
Bedford. Lieut. McIntosh to the same. Had only marched the Royal Americans here, but as Col. Reid thought the whole party was to be brought, had sent for the men of the 42nd left at Fort Cumberland. Sends copy of the instructions he had received. 357
- August 21,
Bedford. Col. Reid to the same. Has been detained, the south branch of the Juniata being impassable from the rains; many of the horses knocked

1764.

- up and some missing, but no provisions left behind. Has been unable to make the pack horses march more than two abreast, making a long line, which it is impossible for the escort to cover with safety. States the plan he has adopted so as to secure safety in case of being attacked, but no Indians have been seen on the line for some time back. Desertions from the provincials; men left behind from old age and infirmity, they being fit only for garrison duty, and provincials taken in their stead. Lieut. McIntosh has sent for the rest of his party, left behind through misapprehension of orders. Has been obliged to purchase powder. The detachment is encamped four miles from here and no irregularities have been committed on the march. Page 359
- August 21,
Halifax. J. F. W. DesBarres to Bouquet. The hard conditions on which the lands along the Shipody River have been granted to him (Bouquet), Haldimand, &c. Governor Wilmot will do all he can to meet their wishes. There are 6,000 or 7,000 acres of marsh land fit for the culture of hemp and flax, and which require no manure, as they can be flooded, leaving a layer of slime. Will be absent all the season on his survey and has already finished about 42 miles of the coast. 363
- August 22,
Fort Loudoun. Bouquet to James Young, paymaster of the Pennsylvanian troops. Is drawing on him as directed (p. 344). It would have been more satisfactory could he (Young) have paid the recruits himself. 365
- August 22,
Bedford. John Read, deputy commissary, to Bouquet. Sends a report of the steps he is taking to ascertain the quantity of stores; the means he has taken to preserve them from damage, &c. 366
- August 22,
Fort Loudoun. Bouquet to Governor Penn. Thanks for the contingent; his application though unusual was not unreasonable. The whole of the force agreed to be furnished by Pennsylvania has never been completed, and to reduce it by 200 men would be of more serious consequence than the saving of money that could be effected. Has sent Lieut. Piper for the money for recruits, as no bills can be cashed here. The field officers of the two battalions (Pennsylvanian) are much to blame for not sending a list of deserters, &c. 368
- August 22. Certificate of survey on flour at this post (not named) signed by Jos. Allen, deputy commissary, and Joseph Lindsay, contractor's clerk. 371
- August 23,
Fort Pitt. Capt. Grant to Bouquet. Sends returns; no enemy seen. Desertions in spite of every method to prevent the practice. Arrival of five Indians with letter from Bradstreet, dated at Presqu'Isle, the 14th, announcing the peace with the Ohio Indians; has forwarded the letters from Bradstreet addressed to him (Bouquet) and the General. Hopes soon to eat roast beef and drink a little wine; at present there is only water. The benefits derived from the garden. Asks his acceptance of two horses, which he is sending with Mr. Potts' baggage. 372
- August 23,
Fort Pitt. Adjutant Burent to the same. Has given Mr. Potts a note of hand for £100, to pay for the adjutancy. 374
- August 23,
Bedford. Capt. Lewis to the same. Martin McDonald, from Col. Reid's party, was, with other two men, fired on by Indians, with no damage but the loss of a horse and 100 pounds of drygoods. On his return home two horses were missing; between Shawanese Creek and Callender's house he saw seven Indians with four loaded horses marching towards Donning Creek. On pursuing them Isaac Shemble (Stimbol in another letter) was found killed and scalped. McDonald thought there were between 30 and 40 Indians. 375
- August 23,
Bedford. Col. Stephen to the same. That in discharging men from the militia, he has kept in pay officers and men who desire to go on the expedition, and has stated his belief that the Colony will take notice of their services, and that there is a chance of plunder, &c., with other reasons

1764.

for them going. Sends this in writing, it being reported that he was obstructing the volunteer movement. Page 376

August 24,
Bedford.

Lieut. McIntosh to Bouquet. Gives Martin McDonald's report (p. 375). Capt. Lymes (or Symes) could not get the inhabitants to pursue the Indians. The express will give further intelligence. There will be a deficiency in stores, particularly liquor. The detachment of the 42nd has joined. 377

August 25,
Augusta.

Col. Lewis to the same. Has received a letter from Governor Fauquier; though he (Lewis) cannot march the 550 men to the enemy's country, yet is determined he (Bouquet) shall have some of them. Has directed some officers who are hearty in the cause to march to his assistance with 150 men and as many volunteers as can be got. The steps he is taking to secure volunteers. Hopes to be able to join himself. Col. McNeill will command whatever number goes, and it is hoped he will have an opportunity to distinguish himself. 379

August 25,
Legonier.

Capt. Stewart to the same. Arrival of Col. Reid with convoy; the quantity of provisions to be left is not yet settled. Potts reports that peace has been made; nobody here believes it will be lasting. 381

August 25,
Ligonier.

Col. Reid to the same. Sends Bradstreet's dispatches; Potts to travel day and night to deliver them. Does not find in the terms of peace that the ringleaders are to be delivered or any satisfaction given; hopes the peace will not be ratified, as it can be of no long duration, but that examples may be made. The convoy shall proceed after leaving the proportion of provisions here. Will be on his guard against the perfidy of the Indians. 382

August 26,
London.

General Stanwix to the same. Asks him to accept a deputy in room of Mr. Jackson, chaplain to the 1st Battalion Royal Americans. 384

August 26,
Fort Loudoun

Capt. Webb to the same. Was shocked when put under arrest on account of the escape of prisoners. Is not conscious of having erred in duty. 385

August 26,
Bedford.

John Read, commissary, to the same. Sends return of provisions at Fort Cumberland. Has brought new bags, &c. 386

August 26,
Fort Frederick.

Capt. McClellan to the same. Sends for ammunition for the two companies of volunteers. The greater part of them will be here next week and require provisions, which can be got here as cheaply as anywhere. 387

August 26,
Bedford.

Lieut. McIntosh to the same. Sent express for Commissary Read, and sends on letters. The escort which passed drew 135 pounds of powder, leaving 63 pounds of the last powder in store. 388

August 28,
New York.

Robert Leake to the same. Has recommended to the General the purchase of 200 head of cattle for winter provisions, but the General declines to alter the agreement already made. Is sorry for Read's conduct; has sent another commissary, Bayley, to Fort Loudoun. Has made every effort to get good storehouses there. 389

Order to Bayley to make arrangements for victualling men from Virginia. 391

August 28,
Bedford.

Lieut. Potts to Bouquet. Was too fatigued to carry on the packet, which has been forwarded by Col. Reid. His journey from Fort Pitt; saw no enemy on the way; dissatisfaction at the peace, &c., &c. 392

August 28,
Bedford.

John Read, commissary, to the same. Sends return of stores, &c. 394

August 29,
Carlisle.

Peter Bard to the same. Safe arrival of provincial stores at Loudoun; has supplied Col. Armstrong with articles for his two companies, including arms and ammunition; they are now completely equipped, and most of them have marched. Now looking for the Virginians. His own ill state of health. Had made up the deficiency in arms by getting those in possession of Butler, the gunsmith. 395

1764.
August 30,
Fort Pitt. Col. Reid to Bouquet. The convoy has arrived. An exact account of the provisions received has been sent to Capt. Barnsley. The drivers report 17 bullocks and 19 sheep lost on the road, but they hope to recover some of them. The care taken by Prather of the provisions; even the officers at this post were reduced to drink water for six weeks. Notwithstanding Bradstreet's peace, supposes that he (Bouquet) would prefer to have a number victualled at Ligonier or Bedford rather than here, where the rations cost more. Page 397
- August 30,
Fort Loudoun. Statement of provisions to be supplied to the different posts, the columns being headed: "Flour," "Meat for Camp," "Meat for Winter." 399
- August 31,
Philadelphia. James Young, paymaster, to Bouquet. Has paid Lieut. John Piper £500 for completing the Pennsylvania Regiment. 400
- August 31,
Philadelphia. Governor Penn to the same. Has laid the list of deserters before the commissioners, who will not go to the expense of apprehending them, as they had given him (Bouquet) power to supply their places. Wishes him success in Virginia but is afraid this peace of Bradstreet's will cause the expedition to end at Pittsburg; would have preferred to see the Indians chastised. 401
- August 31,
Fort Loudoun. Capt. Barnsley to the same. That Brown has arrived from Virginia, after completing the business he was sent on. Col. Lewis has acted to the utmost of his power for the good of the expedition. Sends invoices of the convoys. 402
- August —,
Fort Loudoun. Warrant to Col. John Reid, of the 42nd, appointing him president of a general courtmartial to be held here. 403
- Warrant to Lieut. Alexander Donaldson, appointing him judge advocate. 404
- September 1,
Johnson Hall. Sir William Johnson to Bouquet. Sends a party of Indians of both the Mohawk castles, to be joined by others on the Susquehanna, to assist in the expedition. The Indians dislike to be long in a fixed place. If Bradstreet can make a good push into the enemy's country it will take off their attention and alarm them. His detention at Niagara prevented him sending as many Indians as he otherwise could have done. Has settled affairs with the western Indians and made peace with the Senecas; their concessions. 405
- September 2,
Fort Pitt. Col. Reid to the same. Hopes that the feeling of indignation at the pusillanimous treaty will rouse the General to refuse to ratify it till satisfaction is obtained. Remarks on the peace, which is discussed in very strong terms. 406
- September 3. Intelligence from Fort Cumberland of the advance of Indians, whom Lieut. McDonald has gone out to meet. Lieut. Sealy writes to Major Livingston, sending copy of McDonald's letter. 407
- September 3,
Lancaster. Edward Shippen to Bouquet. Asks his influence to get his claim settled for services done in Stanwix time, General Gage having refused to do so, referring him to England. 408
- September 4,
Fort Pitt. Capt. Grant to the same. Is grateful for the satisfaction expressed with his conduct. The result of this year's crop; it would have been ten times more but for the destruction by vermin. The trouble caused by infamous women. Has confined a soldier for mutiny. 411
- September 4,
Fort Pitt. T. R. (Thomas Rutherford). Describes the fort, the completion of the redoubts and the parade; the appearance of the gardens and amount of crops in the field, &c. Has ordered hay to be made. Calls attention to a petition prepared by the soldiers stating grievances, for which he proposes certain measures of redress. Soldier missing. 412
- September 5,
Williamsburgh. Governor Fauquier to Bouquet. Depositions against Col. Stephen received, which he will lay before the council, and they would no doubt be

- 1764.
- September 5, Clander's House. sent to Stephen for his answer. The probable cause of the animus against Stephen; hopes the charges will prove as groundless as those against Lewis Page 414
- September 6, Ligonier. W. Crawford to Bouquet. Attack by Indians on some of the men here; there are three brigades (of waggons), but not one man with arms. A guard wanted. 416
- September 9, Bedford. Capt. Stewart to the same. Two expresses for Fort Pitt have arrived and set off again. Other two arrived from there at 7, having left it at 6 this morning; they go on again in the morning. The mutineers have been flogged. The hay and forage are not appraised yet, but shall only be appraised to the King's use. Note of stores, &c. 417
- September 9, Fort Loudoun. Capt. Barnsley to the same. Had detained Lieut. Piper till he could send him with an escort, as he had the money with him. Is getting in the cattle by degrees, and hopes to get them all; he has offered a reward for each head. Robertson says nothing about a new fort or storehouses; he has lodged money in Philadelphia, to make up the £10,000, but how it is to be got here he (Barnsley) does not know, unless he goes for it himself. So soon as the hunters who are after the bullocks return he shall send off the droves. 418
- September 9, Augusta. Jacob Kern to the same. Applies to obtain the vacant majority in the Pennsylvanian Regiment. 420
- September 11, New York. Col. Lewis to the same. The difficulties of obtaining the volunteers from Pennsylvania, &c. 421
- September 12, Ligonier. Col. Eyre to the same. To settle with Lieut. Pfyster for his pay. Owing to the peace concluded with the Indians by Bradstreet it is uncertain if the expedition will proceed against them. 424
- September 13, Williamsburgh. Bouquet to Governor Penn. The £500 received. Deserters think themselves so certain of impunity that they desert openly with arms and baggage, and some had the impudence to shoot two oxen wantonly. The Light Horse carry off their horses and accoutrements; and if the civil power does not interfere he does not know where it will end. No certain return of the number to be expected from Virginia. 369
- September 15, Charlestown. Governor Fauquier to Bouquet. Has fixed on the last day of the general court for hearing the evidence on the charge against Col. Stephen of obstructing the expedition. 425
- September 15, New York. Capt. Cochrane to the same. Various documents, orders, returns, &c., received and sent. Remarks on returns. The Governor and Assembly have agreed to repair the forts; hopes to get them built of stone. A prudent officer needed at Frederica; arrangements about paying the sergeant there in the meantime. Price, who commands at Fort Prince George, has quarrelled with the Lieut. Governor, who throws obstacles in the way, by refusing to allow any interference with the Indians who, he maintains, are under his charge, notwithstanding the General's orders. Price's obstinacy. Keough put in arrest for disobedience and insolence, and for refusal to account for his proceedings. Will set out for Georgia in a few days to settle with the Governor about the forts in that Province. 426
- September 16, Fort Pitt (?). G. Maturin to the same. Has received and delivered letters. Those for Colonel Haldimand shall be sent to Canada by the first opportunity. 430
- September 16, Fort Pitt (?). Col. Reid to the same. Magee, an express sent to Bradstreet, has returned, having discovered that Brown, one of the former expresses, had been murdered by the savages and his head stuck on a pole in the middle of the road; Lowrey made prisoner. The only way to send expresses will be by an escort of 20 or 30 light horse. Bradstreet overreached by the Indians till they could dispose of their wives and children. Mc-

1764. Swain is willing to go for a reward of \$100, but the risk is too great to allow him to go. Page 431
- September 16, Col. W. Amherst to Lieut. McIntosh. His request is so reasonable that it shall be granted as soon as the service permits. 433
New York.
- September 16, Capt. Barnsley to Bouquet. Letters received. Sends off 125 bullocks; of those strayed from the convoy 101 are recovered and more have been seen. The escort is under command of Ensign Murray and three additional drovers are sent, the cattle being very wild. Respecting the transport of provisions, supply of forage, &c. 434
Fort Loudoun.
- September 17, Col. Reid to the same. Arrival of Delawares on the other side of the Alleghany; two have come to the fort, who say they are collecting all the prisoners to be delivered to Bradstreet, and are desirous of seeing him (Bouquet), who he wishes could be here, as he is suspicious of them. P. S.—Two more came over; perhaps the rest may follow. 436
Fort Pitt.
- September 18, Same to the same. Capt. Williams has arrived and marked out the ground for an encampment. Only two Indians have come into the fort, notwithstanding every effort to decoy them. One of them is a brother of Hicks, a notorious offender. The other is Capt. Pipe, a Delaware chief. Had determined to receive him (Bouquet) with the garrison under arms and a round of artillery. Bradstreet has certainly not concluded a peace with the Delawares and Shawanese, but has marched to Detroit. 437
Fort Pitt.
- September 22, Capt. Barnsley to the same. Sends dispatches by Lieut. Wiggins and two coopers to Bedford, engaged by Callender. 438
Fort Loudoun.
- September 22, Capt. Harry Gordon to the same. Has just arrived here. Best wishes for his success, and news of friends in London, &c. 439
Philadelphia.
- September 23, Bouquet to Lieut. Cols. Francis and Clayton. They are to get from the provincial Indian store the shirts, blankets, &c., necessary to equip the Pennsylvanian troops, to be charged at the first cost in Philadelphia. Should there be any difficulty with the commissioners he undertakes to make good any loss sustained by the captains, who are to give receipts for the goods received. A note is endorsed respecting the whereabouts of different Indian chiefs, &c. 441
Fort Pitt.
- September 24, Major Wilkins to Bouquet. Has exchanged into his (Bouquet's) regiment, but asks leave to remain here till spring. Changes in regimental allowances. The affair of Turk's Island settled. Rumours about regimental changes. 442
London.
- September 24, Hugh Wallace to the same. Respecting arrangements for the lands at Pabos. Asks his interest for Hutchison's benefit. Haldimand intends to be here this winter; is not pleased with his present situation. 444
New York.
- September 24, Lieut. McDougall to the same. Sends returns of the Royal Americans. It will be impossible to join him (Bouquet) this season for reason given. The men have not a coat to their backs; when at Niagara he was told to draw clothing, but could find only 12 coats, some hats, &c. Peace made with the Chippewas, Ottawas, Pottawatomies and Wyandots. 446
Sandusky.
- September 24, J. H. Sealy to the same. Sends returns. The fort repaired in the best manner it will admit of. Hopes he will be remembered on the first vacancy. 447
Cumberland.
- September 24, Return of tents belonging to the Royal Artillery at this post. 452
Fort Pitt.
- September 25, Capt. Barnsley to Bouquet. Arrangements with Callender about flour, salt and forage, with table of quantities for each post and of horses to carry them. 448
Fort Loudoun.
- September 28, Receipt for tents, signed by Major Field, of the Virginians. 451
Fort Pitt.
- September 29, J. T. Schweighausen to Bouquet. Letters from Poland; the illness of his wife, who is recovering. 453
September 29, Return of tents, kettles and canteens, delivered to the Virginian volunteers. 454
Fort Pitt.

1764.
September 30
Fort Pitt. Bouquet to Capt. David Hay. Instructions for his guidance on taking charge of Fort Pitt. Page 457
- September 30,
Philadelphia. B. Franklin to Bouquet. His attendance at the Assembly has prevented him writing. His (Bouquet's) letter full and satisfactory (see p. 342); asks him to take an opportunity to let the Secretary of State know of his (Franklin's) services to the Crown. Reference to a change of the constitution. Sends extracts from Voltaire's pamphlet on religious toleration. 459

GENERAL CORRESPONDENCE.

1764-1765.

A. 21.

B. M. 21651.

1763.
December 7,
London. Capt. Bentinck to Bouquet (in French). Private and political news. The officers, non-commissioned officers and drummers of the regiment (Royal Americans) have arrived, all the privates being left in America to complete the 40th and 45th Regiments. There must, therefore, be recruiting in Scotland, the headquarters being at Glasgow. He (Bentinck) has been appointed by General Erskine to be at the head of the recruiting service in England. Report given him by General Monckton, that he (Bouquet) intends to resign. Messages from Capt. Holland, who is always at the Duke of Richmond's; he expects to leave in January for America, where he is to be Surveyor-General. Offers to act for him either here or in Holland. His letters to be addressed to the Duke of Portland. Munster, lately arrived from America, has married Miss Pratt, after twelve month's courtship. She is old and ugly and has £8,000 sterling in the bank. Page 96
1764.
August 7,
Pittsburgh. Col. John McNeill to Bouquet. There being no appearance of his getting well soon, has sent off the party. If a peace is made hostages should be demanded, and that Virginia shall have the right to place a garrison on the new river, &c., &c. 10
- October 1,
Ligonier. Ensign John Folmer to Bouquet. Arrival of a white man dressed like an Indian, who gives his name as Robert Bell, made prisoner in Forbes' campaign. He was brought by two Indians to steal horses, but made his escape. 1
- October 3,
Ligonier. Same to the same. The prisoner (Bell) sent off with two light horsemen. One horse stolen and another killed by Indians. Has assisted the inhabitants to reap their oats. Want of forage for the horses arriving. 2
- October 4,
Bushy Run. Capt. Green to the same. The prisoner Bell was taken within three miles of his (Green's) house and his father killed at the same time, in Lancaster County, Hanover Township. The good character of all Bell's relations. 4
- October 4,
Fort Pitt. Statement by James Bell of his capture; what happened to him among the Indians and how he escaped. 5
- October 4,
Carlisle. Letter from Capt. Hay transmitting the statement. 7
- October 4,
Carlisle. Peter Bard to Bouquet. That his health will not permit him to wait longer for instructions. Has packed the clothing and left the key with Col. Armstrong, who will attend to orders. 8
- October 6,
Fort Pitt. John Gough to Peter Hay. That the first tickets for bread for Blane and Shepherd's pack-horse men were only issued for two days, but on the third day additional tickets were issued which the men neglected coming for. 9

1764.
October 7. Capt. David Hay to Bouquet. Cows sent; none of the stray bullocks seen. Is afraid of Col. McNeill's life, he is so ill; his volunteers march this morning. The prisoner Bell seems to be an idiot and can give no information. How the officers, &c., are employed. Page 11
- October 8. Capt. Turnbull to the same. Forwards a communication from Mr. Quebec. Guinans, banker in London, and makes offer of services. 13
- October 9, Capt. David Hay to the same. Sends dispatches from the General. Fort Pitt. The Maryland volunteers were yesterday within seven miles of the post, and are just arrived—two captains, six subalterns and 49 privates; very fine fellows. Will try to have their muskets repaired, so that they can set off, which they are eager to do. A captain and two men missing. 14
- October 10, Capt. Cochrane to the same. Illness of the Lieut. Governor and bad Charlestown. weather have kept him here. Things going on well and Price sensible of his mistakes. Is to visit the posts and look for a site to build the new fort in room of Fort Moore. Has orders not to recruit; has discharged a man. 15
- October 15, Lieut. McDougall to the same. Sends returns. Cannot march to Sandusky. Secota Plains; it is probable that Bradstreet will order him to go from Presqu' Isle to Fort Pitt. Repeats former information about clothing. &c. 16
- October 15, Lieut. Dow to the same. Polite messages. Killbuck was here on the Sandusky. 1st and was to have returned on the 8th with 10 chiefs, but did not come so that he (Dow) was disappointed in the expectation of going to Fort Pitt. The officers with the Royal Americans. Detroit is the best country he has seen in America, but the inhabitants the poorest rascals, &c., &c. 17
- October 15, John Prentice to the same. The Indians, when he was a prisoner, Fort Lou- would have accepted peace on any terms, and were so conscious of their doun. bad conduct that they doubted if it could be granted, and then only on condition of restoring all the horses and goods they had stolen. The whole strength of the Wyandots at Sandusky does not exceed 90 or 100 fighting men. 19
- October 17, Col. Bradstreet to the same. Dispatches received by the two Indians Near Sandus- &c. Had sent the tenour of Gage's instructions respecting peace as far ky Lake. as the Illinois, the Bay, &c. Does not believe, after being a month on the lake, &c., that it is possible to execute Gage's orders. The doubtful condition of various tribes. Indian scouts returned and others to be sent off. If these people do not continue the war it must be from bad management (on the part of the British officers). Cannot get a faithful messenger or he would write more plainly, as the enemy have prisoners who read English. 20
- October 18, Sergt. Berfield to the same. Has continued Joseph Connor on pay, Philadelphia. since he delivered himself up, after deserting. Asks for further direc- tions. 23
- October 29, Lieut. Col. McNeill to the same. Thanks for sympathy in his illness. Pittsburg. Is happy to find that the volunteers please him; the good character of Capt. Lewis. Congratulates him on the success already met with, as shown by the arrival of 19 prisoners given up without fee or reward. Respecting his suggestion as to hostages from the Indians. 24
- October 29, Capt. David Hay to the same. Arrival of prisoners from the Indians Fort Pitt. with Lieut. Winter. Will take care of a little girl unknown and try to find her relations. Has sent the tents, &c., delivered by Lieut. Winter, and the other things asked for. Is glad that the stubborn necks of the Indians are at last bent, and hopes he will give peace to a groaning people. 26

1764.
October 30,
Ligonier. Capt. Green to Bouquet. The soldiers here are well; has built two bridges that he thinks will resist all floods. The garrison is supplied with provisions for the winter, &c., &c. Page 27
- October 31,
Fort Loud-
doun. Capt. Barnsley to the same. Has sent flour and beef to the different posts, also shoes, shoe packs and forage. Hopes to see him return soon, covered with laurels. Has given Mr. Furmier easy rates by the returning waggons for his hides. As soon as the horses from Virginia are rested they shall be sent forward to Fort Pitt. Has done everything he could for the two horsemasters, Crawford and Neville. 29
- November 1,
Fort Pitt. Capt. David Hay to the same. Sends the General's dispatches. Gordon succeeds Eyre in command of the Royal Engineers. 30
- November 5,
Muskungum. Lieut. Carre to the same. His friends have obtained leave of absence for him; asks for his recommendation to the General to give his sanction. 31
- November 5. Return of the effectives in Bouquet's army. The total is 1174, including 4 sick; regulars, and provincials are included. 32
- November 7,
Pepper Har-
row. Lord Middleton to Bouquet. Apologies for not writing. Is sorry to find he is going on so troublesome a command against the Ohio Indians, but is satisfied he would acquire new honours. The letter details his building operations, family news, &c. 33
- November 8,
Muskungum. Thomas Smallman to the same. Arrival of a French officer San Ceurs (Sanscœur?) to excite the Shawanese to hostility; a trader coming from the Illinois to supply them with ammunition. The officer has gone to Waketancka with the same object. Other proceedings of the French emissaries among the Shawanese and Delawares. 36
- November 9,
Muskungum. Brigade Major Small to Capt. Buford, of the Pennsylvanians. Instructions to escort prisoners delivered by the Indians, pack horses, &c. The prisoners are 110 in number, with a particular description of each, so that the parents and friends of those who can give no account of themselves may be able to claim them. Some who are attached to the Indians may try to escape; this to be prevented. The prisoners, pack horses and arms, &c., in possession of the drivers to be delivered at Fort Pitt. 39
- November 9,
Muskungum. Bouquet to Capt. David Hay. Has received dispatches; the detachment with horses not yet arrived. Has sent off Blueford (Buford) with the prisoners to Fort Pitt; they are to be closely watched, as some might run away; others may walk about the fort and assist in taking care of the rest. What is to be done with the escort. An officer of the Pennsylvanians is sent to Fort Pitt under arrest. The Delawares have delivered all their prisoners; the Shawanese have done nothing yet; will soon know what is to be done with them. The male and female prisoners to be kept separate. 45
- November 10,
Fort Loud-
doun. Capt. Barnsley to Bouquet. Thanks for kindness received. Arrival of pack horses; a number left on the road. Crawford, with the Virginian horses, only arrived yesterday; how and when he will go forward. Crawford, in charge of the horses, had been delayed to give evidence in the case of Col. Stephen; 100 witnesses were there against him, but he did not attend. The people dislike him, and now rip up old sores. Fox appointed Speaker. Franklin goes home to assist the agent. It is believed that the proprietor has consented to be taxed with the rest of the people. The Cumberland people have sent an address to their representative, Montgomery; the journeymen tailors of Philadelphia have also sent him an address, which has made him very angry, he being originally of that trade. 47
- November 10,
Camp No. 16. Lieut. McIntosh to the same. Renews his request for leave of absence, now that the campaign is at an end. 73

1764.
November 13, D. Brehm to Bouquet. Hopes his campaign has been successful. Reiterates his request to be allowed to retire on full pay; Lient. Jehu Hay is willing to take his place. Page 51
Detroit.
- November 13, Edward Ward to the same. If Smallman is not delivered up, asks him to use his interest to effect his deliverance. Dennis Cuchen (Croughan) has gone to look after debts due; recommends him. Page 52
Carlisle.
- November 14, Thomas Rutherford to Barnsley. The difficulties he met with in establishing the charge against Stephen. Asks details respecting the contract entered into by Stephen for flour. Page 53
Winchester.
- November 15, Bouquet to Col. McNeill. The Shawanese attempt to resist, but are convinced of their mistake; the terms of their submission, namely: deliver all prisoners, to give hostages and to send deputies to make peace with Sir William Johnson. The prisoners received are sent to Fort Pitt under escort of Capt. Lewis and his corps, who have given every satisfaction; has recommended all the Virginian troops to Governor Fauquier and begged he would recommend them to the House for their pay; if refused, he shall himself pay the men. Orders concerning pack horses. He will return with the army when the prisoners of Wicatanisca are received; it is the most considerable town of the Shawanese. Page 54
Muskingum.
- November 15, Same to Capt. David Hay. Prisoners sent by Capt. Lewis. On receipt he is to deliver all those belonging to Virginia, with descriptive lists to be signed and to be sent to him (Bouquet). Horses to be provided and other necessaries. The prisoners from Hampshire county and district to be delivered to Major Field. The Pennsylvanian officer and men to join the garrison. Page 55
Muskingum.
- November 15, Same to Governor Sharpe. The complete success of the expedition and the terms of submission by the Mingo, Delawares and Shawanese. Sends report of the proceedings. Requests him to order a suspension of arms; the inhabitants may return to their plantations in safety. Upwards of 200 prisoners already received; some of them have been along with the Indians that they are reluctant to leave and have to be guarded. The Mingo and Delawares have not only delivered their prisoners, but even their own children born to whitewomen. The obstinacy of the Shawanese; the fear that they might massacre 150 prisoners prevented speedy chastisement, but they finally submitted. Recommends the volunteers for their public spirit; it would be agreeable to him if the Assembly gave them some gratification. Page 56
Muskingum.
- November 15, Same to Governor Penn. In terms similar to those in the letter to Governor Fauquier. Page 57
Muskingum.
- November 15, A similar letter to Governor Fauquier, but dated at Watchatamie. Page 58
Muskingum.
- November 15, Same to Col. Lewis, similar in terms to the letter written to Col. McNeill. Page 59
Muskingum.
- November 15, Same to Col. Campbell. The Delawares, Shawanese and Senecas have submitted; the nations already at peace are to be notified that they are no longer to strike them on British account, &c. Page 60
Muskingum.
- November 15, Same to Bradstreet. Informing him of the submission of the Indians. The terms are similar to those in previous letters. Page 61
Muskingum.
- November 17, A. Keough to Bouquet. Applies for a court-martial to have the charge against him settled. Page 62
Fort Augusta.
- November 18, Bouquet to Capt. David Hay. Sends Capt. Artel [Hertel] with Caughnawaga Indians in charge of hostages sent by the Senecas, 2; the Delawares, 6; and the Shawanese 6. The Indians are to receive provisions liberally, but without waste, and one dram of liquor. The Caughnawaga and deputies are to go where they please; one half of the hostages are to hunt and be supplied with ammunition, the other half to remain in the stock. To pay attention to the wants of Mr. Artel, a Canadian gentleman. Page 63
Muskingum.

1764.
June 14, New York. Ourry to Bouquet. His accounts are undergoing examination, a trial of patience. Page 220
- June 16. Capt. Potter to the same. Has raised a brigade of horses for the service; recommends the appointment of James Chambers and William Finley as horse masters. 250
- June 17, Fort Loudoun. Capt. Schlosser to the same. Monthly returns, with remarks. Men sent off under Lieut. McIntosh to garrison Fort Cumberland. 221
- June 17, New York. Col. Reid to the same. Thanks for kindness; explains the cause of his detention here. Regimental affairs. 223
- June 17, New York. Capt. James Robertson to the same. Money matters. Ensign Gladwin has not gone to his post, as ordered, but has fled to Philadelphia 225
- June 18, Philadelphia. Bouquet to William Rutherford. That he will cheerfully accept the offer of volunteers from Virginia, to serve without pay against the Indian towns on the other side of the Ohio, and supply them with ammunition and provisions as requested, the men to be at Fort Pitt by the 1st October, and on their return to be at liberty to retire to their homes. Desires to know how many would join, so as to arrange about provisions. 226
- June 18, German Flats. Sir W. Johnson to Bouquet. That he will require not less than 1,000 men on the expedition to compensate the activity and knowledge of the country the Indian possess. Considerations as to the propriety of an expedition by water on the Ohio and Muskingum. The description of men wanted; the disposition and intentions of the enemy. Will do all in his power to send a body of friendly Indians by way of Presqu' Isle. The difficulty of feeding the Indians; shall supply them with provisions and clothing at Niagara. Unfortunate mistake of a sergeant at one of the outposts in firing on a party of friendly Indians. Will inform him of arrangements on reaching Niagara. 228
- June 18. Col. Cresap to the same. Asks where he can join for the expedition, for he and his son can come with a party of volunteers if he receive timely notice. 231
- June 19, Lancaster. Matthias Slough to the same. Can get no waggons for the expedition on the terms offered. 232
- June 22, Carlisle. Lieut. Duncan Campbell to Bouquet. Two deserters recaptured and sent to gaol. 233
- June 23, Fort Cumberland. Major Field to the same. Complains that after 13 days and nights hard duty he could get no provisions on his arrival. Has learned that he (Bouquet) is to have 1,000 men from Pennsylvania. The Legislature of Virginia will do nothing, but there would be large assistance of volunteers, if they knew the time to march, of which he asks information. 234
- June 23, New York. Ourry to the same. His earnest desire to be under his (Bouquet's) command. 235
- June 23, New York. Major Small to the same. That he will join him (Bouquet) with Col. Reid, unless he receive contrary orders; other officers expected to join. A vessel with ordnance and hospital stores, &c., is leaving for Philadelphia. Movements of officers. 236
- June 24. Lieut. Watson to the same. Sends papers (respecting the quarrel between him and Capt. Stewart). Wishes to get a commission in a provincial corps for the expedition. 237
- June 24, Cumberland. Major Livingston to the same. Sends statement respecting provisions; how disposed of, &c. 238
- June 24, New York. Col. Reid to the same. Arrangements about officers, provisions, money, &c., for the campaign. Convenience of having sutlers. 240
- June 24, Fort Cumberland. Lieut. McIntosh to the same. Has arrived here with men of the 42nd and 60th Regiments, as a garrison for the post (1 sergeant, 1 corporal and 19 men). Asks for further instructions about the issue of provisions. 242

1764.
December 13, Fort Pleasant. Major Field to Bouquet. Arrived here yesterday. Reports the three men who were guilty of stealing horses. Has delivered all the captives to their relations, except three, who are to be advertised. The militia disbanded. The Assembly still sitting, but he cannot be down in time. Page 104
- December 13, New York. Lieut. McDougall to the same. Respecting Alexander Dixon, who had leave to retire on getting another man, which he did, &c. Is waiting the arrival of Capts. Prevost and Barnsley. 105
- December 14. Capt. Byers to Bouquet. Has received his letter and will be with him to-morrow if the weather permits. 106
- December 15. Williams-burgh. Governor Fauquier to the same. His sense of the services rendered. The Assembly return thanks, and desire him (the Governor) in his communication to the Board of Trade to recommend Bouquet's services. Encloses the resolves of the Assembly respecting the pay of the men. Sends the resolutions of the Council and the proceedings of the House of Burgesses in relation to the charges against Stephen, and a remark of the latter. 107
- December 16. Capt. Buford to the same. Has delivered all the captives to their friends except five left with Col. Abraham Hight, who is to send word to their friends. Three horses stolen are in possession of the thieves, who live near Fort Cumberland; it is hoped the horses will be secured and returned to their owners. 110
- December 16, Lancaster. James Young to the same. His arrangements for paying the provincial troops who were on the expedition. 111
- December 17, Johnson Hall. Sir William Johnson to the same. Congratulates him on his success, &c. Nothing but his penetrating into the heart of the enemy's country could have produced the advantage acquired. Will give the Delawares proofs of British generosity. Is not surprised the Shawanese stood out so long, being supplied by the French; whenever Illinois is taken possession of that resource must end. The terms on which he would enter into a treaty with the Indians. Will provide for Owens; Artel's [Hertel] good conduct and that of the Caughnawaga Indians with him. Shall confer with the Six Nations as to the removal of those of them who are about the Ohio; they went of their own choice, and bear a bad name among their people. 113
- December 17, Lancaster. Capt. W. Prevost to the same. Explains his reasons for leaving the post before his (Bouquet's) arrival. Sends reports of the examination of invalids, together with Mr. Mallett's report. Expects the company will be ready to march when ordered. Has written to Mr. Calcraft about supernumeraries; asks him to sign it if approved of, &c. 117
- December 18, Carlisle. T. J. Davenport to the same. Respecting the arrival of Young, the paymaster, and the payment of the 2nd battalion. 119
- December 18, London. Capt. Bentinck to the same. Has been trying to get him (Bouquet) leave of absence. Lord Middleton has undertaken to get the matter settled through Lord Granby. Political confusion. Pitt supported by the respectable Whig families. 120
- December 18 Carlisle. Major de Haas to the same. Has marched the 1st battalion to Lancaster to be paid there. 122
- December 19, Canegochigue. Capt. Wolgamot to the same. Shall meet him (Bouquet) at Hager's. 123
- December 22, Lancaster. Col. Reid to the same. De Haas is anxious to have the command of a company kept at Augusta, which is to be paid by this Province; gives him a favourable character. Has halted a day here to rest, &c. 124
- December 24, Fort Pitt. Capt. W. Murray to the same. Has tried to make this post agreeable to the Mohawks, and they seem satisfied. Had kept them, expecting the Shawanese to bring on their prisoners. Arrival of warriors

1764.

from Detroit to scalp or make prisoners of the Shawanese or Delawares. Has sent off the Mohawks to warn the Shawanese that if they intend to fulfill their engagements, hostilities would cease and the parties be recalled. The Mohawks are anxious to get home. Sends report of his proceedings and a declaration of some Delawares respecting the dealings of the French and their traders with the Shawanese. Has sent message to Col. Campbell. McKee denies receiving a letter from Croghan. Condition of the boats. The King's baker, who had gone hunting without leave, found frozen to death.

Page 128

December 25,
Fort Pitt.

Return of officers who have commanded at Fort Pitt from 25th December, 1763, to date. 126

The same at Fort Bedford during the same period. 127

The same for Fort Ligonier. 133

December 28,
Lancaster.

Receipt of guides for their pay. 132

No date.

Memorial and complaint of the officers on the Pittsburg communication, of the delay in delivering their letters and the excessive postage. 134

Report (apparently by Bouquet) on a disputed claim of Messrs. Plumsted and Franks for provisions supplied. 135

Names of the Royal Americans who have been in the Maryland service. 136

Regulations for the southern department in regard to expenses. 137

Re-examination of Gershom Hicks. (See A vol. 20, pp. 144-171.)

1765

January 4,
Charlestown.

Capt. Cochrane to Bouquet. Has just returned from the posts; sends returns. Ensign Keough put under arrest. 149

January 4,
New York.

Col. Reid to the same. The General has expressed the warmest satisfaction with his (Bouquet's) conduct during the campaign; he may depend on the most welcome reception from everybody, &c., &c. 150

January 4,
Philadelphia.

John Williams to the same. Asks his influence to obtain leave of absence. 160

January 5,
Fort Pitt.

Last of the prisoners delivered up by the Shawanese at Mackwajack, arrived at this post. 152

January 5,
Winchester.

Thomas Rutherford to Bouquet. Remarks on the investigation into the conduct of Stephen by the Assembly. His (Bouquet's) letter announcing his success was read in the Assembly, which returned hearty thanks and requested the Government to recommend him to the King's favour. He will be welcomed heartily by all but those wretches who would continue the war if they had the handling of the money. The affair of Stephen has been most troublesome, but he (Rutherford) has got through it with credit. Hopes to be remembered should provisions be wanting, &c., &c. 153

January 7,
Fort Stanwix.

H. C. Pauli to the same. Sends returns. Had been sent last summer to the Sciota plains to explain the articles of peace; sends memorandum of his proceedings. 156

January 7,
Lancaster.

Rev. Thomas Barton to the same. Thanks for the acknowledgment made for the services he has rendered to the army here. 157

January 12,
Philadelphia.

Bouquet to the officer commanding at Fort Loudoun. Sends orders of which copies are to be kept; the originals to be sent to Fort Bedford to be transmitted to Cumberland, Ligonier and Fort Pitt. 158

January 12,
Fort George.

John Christie to Bouquet. Has been relieved at Fort Bennington and arrived here with his garrison. Sends the period during which he commanded posts, to be included in the returns; what he has done about clothing. 159

January 14,
Lancaster.

Capt. Schlosser to the same. Sends memorandum for the return of officers commanding posts. Clothing not yet ready. Has not yet re-

1765.

- ceived orders for discharging men. Where is he to get money for the subsistence of the men and pay of the officers? Movements of officers. Page 161
- January 16, Philadelphia. John Bridgman to Capt. Etherington. That he has obtained a furlough to drive a coach during the owner's absence. 164
- January 22, New York (?) Capt. Harry Gordon to Bouquet. Only illness has prevented him from calling; the high opinion he holds of him. Desires his assistance in regard to the appointment of his (Gordon's) successor to the company in the Royal Americans. 165
- January 22, Charlestown. Capt. Cochrane to the same. The officers at posts acting to his satisfaction, but he is distressed for want of officers and men; it is important to have a strong garrison at the spot he has selected to build a fort, which is on the savannah, above Long Canes. Ensign Keough refuses to obey orders, and has been under arrest since September. Would be glad to have Lieut. Brehm, as he would be of great use in his capacity of engineer. Remarks on Caffy, made sergeant, and on the dishonest character of Shryock, a discharged man. Returns sent. His pleasure at hearing of his (Bouquet's) prudence and success in dealing with the Delawares and Shawanese. Has applied for leave of absence. 167
- January 24, Lancaster. Capt. Schlosser to the same. Returns sent with remarks. The detachment would be in distress if ordered to march, as there is no money and the men in debt. Clothing ready, but the arms not in good condition, deficiencies being noted. 171
- January 24, New York. Bouquet to (Williams?). That he must come here to get leave of absence (see p. 160). The social customs of New York. "Upon the whole New York is the best town, but I go back to Philadelphia." 173
- January 25, Royal Block-house. Capt. Schlosser to Bouquet. Sends returns relative to the officers commanding posts. (Besides the name of the block house, the following is added: "or east end of Oneida Lake.") 174
- January 25, Lancaster. John Barr to the same. Offers to buy his plantation at Connegocho for a friend. 177
- January 26, New York. J. M. Prevost to the same. Applies for an increased allowance to officers commanding posts in South Carolina for reasons given. 175
- January 27, Fort Stanwix. Ensign Pauli to the same. Sends return of the period he commanded posts. 176
- January 29. Lieut. H. Congalton to the same. Reports his arrival, having been appointed a lieutenant in the Royal Americans. 178
- January 29, Lancaster. Matthias Slough to the same. Applies on behalf of a Mennonite farmer, who desires to purchase his land in Connegocho. 179
- January 30, Carlisle. Capt. W. Trent to the same. Does not know what orders for payment are still outstanding; shall send notice to all he can think of, as if the orders are not presented till after the accounts are closed he would be liable to arrest as he had endorsed them. 180
- January 31, Fort Pitt. Capt. W. Murray to the same. Mohawks who had gone with a message to the Shawanese had returned, having met the Virginians from the 16th Encampment, with the chiefs, they having gone to look after their relations, prisoners with the Shawanese. They, with the chiefs, returned. Benewiscin, the chief expressed his satisfaction at the peace; he had assisted the Virginians whilst in his country as he promised. The Virginians say that he was of great service and hunted for them or they would have perished in the woods. Nine prisoners recovered, but frost bitten, so that they could not proceed beyond Big Beaver Creek; assistance sent to bring them in. The whole of them in a bad state of health. The Mohawks have returned home. Owing to the severity of the weather the captives cannot be got till spring, but hostages will be sent.

1765.

Blankets and rum given to the chief and clothing to the Mohawks. Sends returns, &c. ibtool.com.cn Page 181

February 2. Col. McNeil to Bouquet. Had arrived with the utmost difficulty owing to the heavy fall of snow; sends returns of subsistence. The mean act of the Colony in throwing all the expense on him (Bouquet), especially after lavishing large sums without meaning. Men missing about whom he is uneasy. Asks that a brother in the 46th Regiment be discharged. His own bad health. 186

February 2, Lancaster. Capt. Schlosser to the same. Private McKagge, of his company wishes his discharge on sending a man to replace him; the substitute looks a likely man. Clothing ready. Prevost has sent a credit of £1,000, so that his company can pay its debts. 188

February 4, Augusta. Col. Lewis to the same. Sends pay bills; the Assembly refuses to pay either officers or men; his remarks on this action. Hopes he (Bouquet) will be enabled to pay the officers and men. Thanks for his not only strictly complying with but far exceeding the engagements he (Lewis) had entered into with the men. Shall be glad to receive information about the Shawanese and Mingoos. The illness of Col. McNeil. Hopes that the expenses may be paid of McClanahan who is going to have the pay bills settled. 190

February 4, Stenton. James Donaldson to the same. States his services and leaves it to him (Bouquet) to fix the amount to be paid him for acting as surgeon to the volunteers from Virginia. 193

February 4, Bedford. Lieut. McCulloch to the same. Sends report that the Shawanese brought nine prisoners to Fort Pitt. The inhabitants have been supplying the troops with fuel, in consequence of the inadequate allowance during the severe weather. The men of the 42nd who came with the returns are still here, frost-bitten, but not dangerously. 194

February 5. Lemuel Barritt to the same. Prays for an allowance for losses sustained by him and his party of rangers at the battle of Bushy Run, on the 5th of August, 1764. 215

List follows. 216

February 5 London. Potts to the same. His pleasure at the news of the success over the Delawares, &c.; the credit he (Bouquet) and his little army is receiving. Thinks he should be here to receive his promotion. Asks for his interest to obtain promotion for reasons given. Had sent a memorial to the Secretary at War, of which he encloses a copy. Asks him to recommend the issue of a certificate by General Gage of his services. 196

February 11, Lancaster. Capt. Schlosser to the same. The proposal to enlist recruits could easily be executed, but not without money. Will have the invalids supplied like the other soldiers. Money matters. Expects marching orders, and only fears the bad roads. Concerning returns; his wish to sell out, &c. Regrets that he (Bouquet) intends to lay down the command. Remarks on Prevost's reprimand about striking off discharged men from the returns. 199

February 11, Philadelphia. Plumsted and Franks to the same. Respecting the division of accounts between the old and new contractors for provisions. 203

February 13, Lancaster. Capt. Schlosser to the same. Respecting accounts, the discharge of invalids, &c. 205

February 14, Philadelphia. Receipt given by Bouquet for 118 certificates, or vouchers, for money paid by John Nelson. 207

February 15, Fort Pitt. Samuel Morton to Bouquet. Where is he to draw his pay as barrack master at Fort Pitt? There was great danger of a flood, but it has now passed. 208

February 15, Carlisle. Report that the Shawanese have sent up prisoners since the hostages returned to their town, lest it should be thought they wished to violate

- 1765.
- their agreement. One of the oldest chiefs is at Fort Pitt, and offers to give additional hostages. The Mohawks who brought this word were sent to attack the Shawanese, but returned on learning of their good faith. Reports are confirmed in letters from the commanding officer. Page 209
- February 15, New York. Capt. J. M. Prevost to Bouquet. Reports by the packet of a French war and that several persons were seized at the dock yards, on suspicion of being about to set them on fire and escape in a vessel off the coast; the reports are not generally believed. Promotions. Cochranne has applied for a court martial on Keough, who has also applied for one, &c., &c. 210
- February 18, Philadelphia. Receipts for vouchers sent by John Gough to General Gage. 212
- February 19, Ligonier. Æneas Mackay to Bouquet. Sends returns, as by order, the letters having been only received. Remarks on mistake in the quantity of flour made by the commissary. 213
- February 20, Lancaster. T. Rochat to the same (in French). Sends a list for Colonel Prevost of clothing received, delivered and in store. That arrived at New York and not delivered is not included. Does not know if those in Carolina are to be supplied from here. 217
- February 22, Pensboro, Robert Callender to the same. Inquiries about the price at which he (Bouquet) would sell his plantation, so as to answer a person who desires to buy it. 218
- February 24, Lancaster. Further on the same subject, in a letter dated the following day. 219
- Capt. Schlosser to the same. Sends monthly returns, with remarks about recruits, &c.; difficulty of making out the muster rolls; the men look tolerably well now. 220
- February 26, Philadelphia. Account of Lieut. John McClanahan with receipt for balance. 223
- Account and receipt for expenses. 224
- February 27, Detroit. Jehu Hay to the same. Thanks for kindness. Most of the men left by McDougall are employed on board ship and can scarcely keep themselves; pay still due to them. Prisoners returned; more expected from the Pottawatomes. 225
- March 2, Lancaster. Return of the officers of the 1st battalion Royal Americans, who desire to purchase. 226
- March 2, Lancaster. Capt. Schlosser to Bouquet. Sends list of men who want their discharges. Sends also list of officers desirous to purchase (p. 227). Movements of officers; the men well, except the invalids. 227
- March 6, New York. Capt. Harry Gordon to the same. Has been sent for respecting re-arrangement of the engineer service, which will suspend operations this year, but enable them to be carried on with more vigour next year. Asks him to certify the loss of three horses and baggage cart in the campaign of 1758. His demand for the pay, &c., of men taken prisoner by Indians in 1762. The question who is entitled to the perquisites of the companies in a regiment is discussed at great length. The General's congratulations on the good news from Fort Pitt. 229
- March 7, Bedford. Lieut. McCulloch to the same. The convoy with Indian presents attacked by a gang disguised by having their faces blackened; the attack was made 12 miles on this side of Fort Loudoun. The rascal will, no doubt, be caught, and an example is needed in this Province. The commanding officer at Fort Loudoun reports that 200 men were in arms to stop the goods for the Indians from coming up, and that 100 Virginians were to waylay the convoy between Loudoun and the post. 231
- March 7, New York. Capt. Harry Gordon to the same. Sends the memorial he is to send to the Ordnance; after signing certificate asks him to enclose memorial &c., and forward them. Certificate of the loss of baggage, &c., in 1758 under Braddock, is appended. 231

1765.
March 9,
Fort Loud-
doun.

Lieut. Charles Grant to Bouquet. The country people are greatly alarmed at the goods going up to Croghan for the Indians; about 100 armed men followed the convoy to Great Cove, killed three horses, wounded three more, and burned 63 loads of goods. A party sent out who took some prisoners, whom the country people tried to rescue; the prisoners are left in the fort as the country people are rising in arms, determined to rescue them if possible, and threaten to burn the fort. Had all his men under arms last night. Page 238

March 10,
New York.

Capt. Harry Gordon to the same. Thanks for and offers of service, &c. His demand (p. 230) affects all the captains in the service. Did the riot on the frontiers arise from Croghan regarding the interest of his friends more than the King's service? Is sorry that this should be another cause of displeasure at his conduct; remarks on his proceedings. Strange accounts from England. "There is no minority, about taxing and playing the Devil with poor North America. That proud island I knew would be in a flame at their addresses from this and other Colonies. I knew it would and that their jehu-like manner would never do." Had been promised to be remembered, but has had too many disappointments to trust that. His stay here has deprived him of seeing the survey made on the Susquehanna. 240

March 11
Pensboro.

Callender to the same. Account of the attack on the convoy (p. 235). It is not believed the people attacking were Virginians. Has had no answer about the plantation. The prisoners made by the sergeant's party of those attacking the convoy have been bailed. What is to be done with the rifles taken from the prisoners? Mr. Grant and Justice Maxwell have behaved well in the affair. Justice Smith has rather incited this mad people. If speedy measures are not taken to suppress those people he shall sell every foot of land he has, as no man's property is safe as affairs are. 243

March 11,
Carlisle.

Capt. Barnsley to the same. Difficulty of settling the horse-master's accounts from the want of papers which were taken charge of by Ourry, for which no receipts were given. Asks for instructions. About £8,000 will be wanted to settle the accounts. Refers to the riots. About the settlement of accounts. 246

March 12,
New York.

Col. Reid to the same. The conduct of the Shawanese satisfactory. The person he (Bouquet) hints at is not suspected without reason. He exposed himself lately to rebuke when intoxicated for attacking him (Bouquet), but no notice need be taken of him; the news from Fort Pitt may be his punishment. Hopes soon to see him. 248

March 12.
Fort Pitt.

George Croghan to the same. Respecting the attack on the goods; if unpunished, all civil and military rule must cease. What the Indians will think if traders are not allowed to come among them. 250

March 13,
Charlestown.

Capt. Cochrane to the same. Thanks for his kind letter. Has visited all the posts but Frederica, which is said to be 150 miles beyond Savannah, and to go there would have made him too late to report to the Lieut. Governor before the meeting of the Assembly. Price's conduct to the Lieut. Governor completely changed since he was convinced of his error; the Lieut. Governor has now the greatest confidence in him. The difficulty of finding a post not commanded by a higher ground. The place for the new fort, in place of Fort Moore, is on the River Savannah, about 45 miles above Augusta; the Province wants it built of stone. Description follows. Had recommended Brehm to be engineer. Further about Keough's behaviour; need of an officer at Frederica; his own multifarious duties. About discharges so that he may get rid of useless men. Has written for leave of absence. The forts must be large to be a refuge for the inhabitants; otherwise block houses would do. The temper of the Province; the infection catching from the north; the Committee

- 1765.
- thought it needless to build forts, but the Assembly believed the Province bound in honour to do so, but they will no longer furnish transport. The confusion in the regimental accounts. Page 252
- March 14, Capt. J. M. Prevost to Bouquet. Introduces a gentleman well acquainted with Nova Scotia. Complaints of economy introduced in every branch, which will have a bad effect on the service. Is glad to hear that the Shawanese have delivered up their prisoners; this will stop the mouths of detractors. 259
- March 16, Capt. Schlosser to the same. Respecting men who are enlisted and to be promoted to the rank of sergeants as vacancies occur. Hopes that the insurrection will not cause the troops to be turned back; it is disagreeable to be employed against the King's subjects, as the officer's hands are tied in the execution of duty; hopes, if required, that sufficient civil power will also be sent. Sends list of effectives and of the progress of recruiting, &c. 261
- March 16, Receipt by Davenport for goods delivered to the Indians at the Pennsylvania store at Fort Pitt. 265
- March 21, Capt. Etherington to Bouquet. Sending price of horse. 266
- March 22, Capt. Schlosser to the same. Has no discharges left, so must send men to Philadelphia to be discharged there. A soldier, guilty of theft, has deserted. 267
- March 24, Capt. Murray to the same. Several Indians, but none of the chiefs, have come to Mr. Croghan. Returns sent. Pass given to Mr. Syms at Bedford to bring up liquor; the snow is so deep that he is afraid of a flood; is taking precautions against damage. 268
- March 25, Capt. Schlosser to the same. Sends two men to be discharged. Is not responsible for the discharge of Woodington; knows he (Schlosser) has been guilty of errors, but cannot be responsible for those of others, and gives the reasons for several discharges. It is unfortunate the regiment has not one friend to increase it by draughts from other regiments, as has been the case with the second battalion. Has sent a guard for the Governor, but could not go himself, being confined to bed. Has been treated civilly by the Governor on sending for orders; the detachment shall be ready to march when ordered by the Governor, but there are not above 90, the bad weather having caused sickness. 269
- March 26, The same to the same. Sends returns. Is sorry that no ammunition, buckshot or flints have been sent. The Governor went off in such a hurry there was no time to ask him for them; there is plenty for sale here, but that would involve the advance of money which there is no certainty of getting back. 273
- March 26, Ensign Keough to the same. Had applied for a court martial, which the General had refused. Asked to be sent to another post, as Cochrane makes his life disagreeable. 274
- March 28, Nathan McCulloch to the same. Sends returns, copies of orders and instructions left with him, &c. The gratification of the inhabitants of Bedford at being thanked for the supply of firewood, &c., to the garrison. They have treated the troops well and are always ready to help them. The infamous character of Rachel Sly; Murray has got over his infatuation. 276
- No date. Capt. J. M. Prevost to the same. Respecting the packets. The unfortunate result of land speculations in South Carolina. Contingent accounts; failures in London; general stagnation of trade. 278
- March 30, John Byers to the same. Notes on the settlement of accounts. 279
- March 30, Lieut. Charles Grant to the same. Sends returns. His reason for letting the prisoners go, Callender having taken bail for their appearance. 281

1765.
March 30, Philadelphia. Edward Smyth to Bouquet. Particulars relating to the surrender of Presqu' Isle to the Indians, on the 23rd June, 1763. Page 282
- April 1, Fort George. Ensign Christie to the same. Thanks for letter. Returns were sent to Schlosser. His desire to be re-imbursed for losses. 286.
- April 9, New York. Hugh Wallace to the same. Respecting lands purchased, and his dissatisfaction with some of the partners. 287
- April 9, Charlestown. Capt. Cochrane to the same. Returns sent for February; those for March not yet received from the posts. 288
- April 11, Ligonier. Ensign Peebles to the same. Sends returns and copies of instructions left with him. 289
- April 12, Lancaster. Capt. Schlosser to the same. Returns shall be sent to the General as ordered. Respecting discharged men. How he has dressed the fifer boys; the men generally look soldierlike. Has nearly recovered. 290
- April 13, Lancaster. Edward Shippen to the same. Sends accounts relating to Stanwix' campaign, also for examination, &c., those for waggons employed by Schlosser and himself. 292
- April 13, New York. Capt. Harry Gordon to the same. Congratulates him on his promotion to the rank of Brigadier General. 294
- April 16, Fort Loudoun. A letter of the 15th from Col. Reid, New York, to the same effect. 295
- April 16, Fort Loudoun. Thomas Hutchins to the same. Has arrived after a fatiguing march from Fort Pitt. Has measured every turning of the road, but cannot send any plan of it for two weeks, owing to suffering from his eyes. Will try to draw the field of battle. Is sorry the engraving cannot be done on other terms than those mentioned. Remonstrates against certain generous proposals, as he is only too happy to execute any business he (Bouquet) may desire. To-morrow he leaves for Carlisle. Is afraid his servant has been drowned; wishes he had a sober man in his place. 296
- April 18, Lancaster. Capt. Schlosser to the same. Sends a man to be discharged. The increase of desertion. 299
- April 19, New York. Capt. J. M. Prevost to the same. Sends contingent accounts with remarks. Has sold out to Hull of the 80th Regiment. Hutcheson anxious to go to Florida with him (Bouquet) 300
- April 19, Lancaster. Capt. Etherington to the same. Congratulates him on his promotion which has given general joy to all classes. 302
- April 20, Philadelphia. Contingent account for the campaign of 1764. 304
- April 20, Lancaster. Capt. Schlosser to Bouquet (in French). Congratulations on his promotion. 305
- April 20, New York. Capt. Gordon to the same. Thanks for his letter. Will persist in his claims for certain allowances. 306
- April 21, Lancaster. James Stevenson to the same. The general joy at his promotion; sends best wishes for his prosperity. 307
- April 24, Lancaster. Capt. Schlosser to the same. With returns, accounts and remarks. Marching orders received for New York. 308
- April 26, Carlisle. Mrs. Thompson to the same. Has sent a petition to be reimbursed for losses sustained at Fort Pitt. 310
- April 30, Winchester. Thomas Rutherford to the same. Relative to the settlement of accounts, &c. The frontier inhabitants of this Province and Maryland are removing fast over the Alleghany Mountains to settle there. The murder of two Indians by hunters is boasted of publicly and their scalps shown. 311
- April 30, Philadelphia. Thomas Hutcheson (Hutchins) to the same. Congratulates him on promotion. Is he (Hutchins) to remain here or go to New York? Schlosser with the Royal Americans, has left Lancaster on Monday last. The rioters who destroyed Callender's goods have been acquitted. 313
- May 9, New York. Certificate by A. de Peyster, that on the 6th of August, 1760, Henry Arnold & Co. had entered in the Treasury office 83 Negro slaves impor-

1765. ted from Africa in the sloop "Sally," and that the duty on them was paid according to law. Certificate follows that the Negro named York, now in the service of Bouquet, was one of the above who are certified by **Abraham de Peyster**, Treasurer. Page 314
- May 12, George Croghan to Bouquet. Has been detained here owing to the jealousies and disputes among the Indians, two tribes of the Delawares pretending that one of their people had been up to heaven and wadirected there to make peace with the Quakers. Nobody regarding their nonsense, they agreed with the others to send a deputation to Sir William Johnson to replace hostages, &c. Sends a report of his transactions. 315
- May 22, Francis Hutcheson to the same. Sends the curricule, which has been greatly admired, &c. His mare sent across the river to be under Capt. Kennedy's care. Will send books, &c., by water. Cannot find a vessel for Pensacola. Is glad there is a prospect of getting one at Philadelphia. Reported promotion of general officers, &c., &c. 316
- May 22, Capt. J. M. Prevost to the same. Offers of service, &c. Burton promoted to be Major General; hopes this will lead to Bouquet being sent to Canada. Arrival of Sir John and Lady St. Clair, who go to Trenton. 316
- No date. Return of men's names entitled to discharge. 320

LETTERS FROM COLONEL BOUQUET TO VARIOUS PERSONS.

1757-1759.

VOL. I.

A. 22.

B. M. 21652

1758. Bouquet to Forbes (in French). Arrived on the 19th with four companies of the Royal Americans; the fifth arrived on the 21st. The Major's company remains here if the four others go to Philadelphia. Asks leave to remain a few days at Philadelphia to obtain the necessaries that could not be found in Charles Town. Is detained here for 8 or 10 days to settle accounts. Page 1
- April 23, The same to the same (in French). Asks leave to send Duplessis to New York. Louisbourg, as he has a commission from the General and is a young man of talent for engineering, so that he (Bouquet) would wish him to see siege operations. 2
- May 4, The same to the same (in French.) Has been longer detained by New York. accounts than he wished. The General has ordered the artillery stores and ammunition for his (Forbes) expedition, there being no news of these coming from Europe, which will cause longer delay to him (Bouquet). Thinks it would be well to have bombs to fit the mortar at Philadelphia, which he thinks is 8 inches. 4
- May 20, The same to Allen. Asks him to look after a new pair of riding Lancaster. breeches, as he was now confined to the house, having seen some ladies laugh and blush at his rags. Intercedes for McLean, a prisoner, with reasons for urging clemency. Proposes to set out for Carlisle on Tuesday. "Send me my breeches and my prisoner they are both greatly wanted". 5
- May 20, The same to Forbes. Had arrived this morning; Young waiting Lancaster. for money to clear Armstrong's battalion, the commissioners having appointed him; he expects £10,000, then to go to Carlisle and return for other £10,000. Hoops is expected back from Philadelphia to-morrow. Indian goods arrived. A small party of hostile Indians seen near Shippenburg. 6

1758.
May 22,
Lancaster

Bouquet to Forbes. Hoops has brought the £10,000; the arrangements for sending the other £10,000 to Carlisle. Arrangements for waggons to form the magazines at Ray's Town, with the daily stages. Has engaged George McGuy for the Indian service. Arrangements for blacksmith, gunsmith, repairs of weapons, &c. Other arrangements for the expedition given in detail. Shall leave to-morrow morning and be at Carlisle on Wednesday; no time shall be lost in erecting the fort at Ray's Town, &c., &c. Respecting the supply of spirits. Page 10.

May 28,
Carlisle.

The same to Francis West. Requisition for warrants to impress waggons for transport. 27

Of same date. Requisition sent by West and Atricks to waggon owners. 27

May 29,
Carlisle.

Bouquet to Forbes. The difficulties of getting waggons for transport and the inaction of the magistrates. The people are so obstinate and disaffected and the magistracy so weak that he can depend on no service; the two provincial battalions are all in disorder and the officers have no notion of the service. Movements of troops, of Indians, &c. The weak state of Fort Augusta, a post of great importance, which cannot be relieved in case of attack; asks for a stronger garrison. Desertion; has promised to obtain pardon for those who return, &c., &c. 29

May 25,
Carlisle

The same to the same (in French). Arrived yesterday morning. The swelling of the Susquehannah detained them three days, and the creek to be crossed before reaching Harris was so deep that all the baggage was in the water. A couple of flats needed to cross the waggons at Harris' Ferry; to save time the waggons shall be divided to cross at the different ferries. No plan can be formed so long as the troops are under the Commissioners; their battalions are in the most frightful confusion; their arms unserviceable, nearly three-fourths of them cannot be fired. They have neither tents nor field equipage, and Hoops has to feed them, &c., &c. He may judge whether post can be taken at Ray's Town without either arms or utensils. How he proposes to provide necessaries. Not a soldier dare fire the new arms and each of the old is as heavy as two. If arms are not speedily provided the troops will certainly be affronted; and there are 1,000 muskets at Philadelphia which could be used. Armstrong and Byrd will march on the 29th to Forts Loudoun and Lyttleton; the magazines will be advanced to these posts, but he cannot advance a step further till arms are received. Arrangement of troops; the new levies are drinking about the taverns; proposes to send to Lancaster the companies that are complete, and form a chain as far as Carlisle. Has written to St. Clair to make Washington's regiment march to Fort Cumberland until his (Bouquet's) troops shall be in a position to advance to Ray's Town; 400 men of that corps (Washington's) shall be employed in cutting a communication between the two posts. An early attack expected, as the French have collected all their Indians and cannot long restrain them. Has put the Cherokee chiefs in good humour; those from Shippenburg are very ill behaved, and have seized the presents by force. The letter (which is long) gives an account of the bad state of the roads, the conduct of the Indians, the movements of troops and arrangements generally. 17

May 30,
Carlisle.

The same to the same (in French). Has forwarded tents to St. Clair. Repeats the orders given to Washington's corps to proceed to Fort Cumberland, leaving there the number necessary for defence, the rest to join him (Bouquet), cutting the road as they advance. To avoid confusion, requests that all orders may be sent through him. The bad conduct of the Indians in Virginia makes it necessary to take them to Ray's Town and renders the sending of arms to the provincials the more pressing. 36

1758.
May 30,
Carlisle. Bouquet to Forbes (in French). The chief of the Catawbas will keep his people quiet, seeing that the troops are collecting. His fears for the safety of Fort Augusta; the Quakers consider it the key to the Province, and the present commandant is not fitted for the post. The necessity of having a good supply of shoes. The provincials have no medicine chests and no regulations for the transport of tents, &c. Has engaged a good armourer. Cherokees out towards Fort Duquesne with orders not to return without prisoners or scalps. The Indians here are in good humour. Respecting deserters. Page 38
- June 2,
Carlisle. The same to West. To have the meadows appraised that are to be kept for His Majesty's service. 41
- June 2,
Carlisle. The same to George Stevenson. Appeals to his known zeal and public spirit to assist in obtaining waggons for transport and in settling disputes, &c. 42
- June 3,
Carlisle. The same to Forbes (in French). Sends returns. The necessity of making one man responsible for Indian affairs. Sir John St. Clair despairs of keeping the Cherokees, but he (Bouquet) does not believe this, as the march of the troops, new presents, &c., will change their spirit. Details the daily marches he intends to make, leaving a detachment at each post. An officer needed to regulate transport, &c. He (Forbes) has done wonders in getting the commissioners to equip the troops. Details as to the condition of the regular and provincial troops, the supply of ammunition, articles wanted for the troops, for boats, the arrangement of posts, the supply of waggons, &c. His suspicions of the French among the provincial troops well founded; has put two of them in irons. (The letter covers 11 pages.) 46
- Enclosed is list of articles and stores wanted. 57
- June 5,
Carlisle. Letters from Bouquet to Conrad Weiser and the magistrates of Berks County respecting the waggons to be supplied for transport. 58
- June 7,
Carlisle. Bouquet to Forbes (in French). Is detained by the non-arrival of the tents, &c. The bad state of the roads, even after repairs are made. The Virginian troops being sent to Fort Loudoun has deranged his plans; supposes St. Clair had to send them for want of provisions. Respecting waggons. The bad quality of the pork. The flour may be accepted, as although not white, it is good. Arrival of horses, which are better, or rather less bad than he expected. Various arrangements. The bad conduct of the Cherokees; has assembled the chiefs, one of whom has been sent to Fort Loudoun to keep the others, and contradict the report that they were leaving the troops. Remarks on their intentions. After Gordon arrives with cartridges there will be only 20 rounds for each man and no reserve; even with what is at Winchester there will not be enough; more must be purchased. Waggon ropes with strong iron hooks wanted. To pacify the country people recommends payment for the horse drowned last year. Deserters; sutlers; the bad quality of the axes, &c. 61
- June 11,
Fort Loudoun. The same to the same (in French). Arrival of arms, &c. Details of his arrangements; remarks on the different routes, regarding which no dependence can be placed on the reports of the country people. The French, with a great number of Indians, are building a fort at Chingan la Mouse, on the Susquehannah, 140 miles N. W. of Fort Augusta; another reason for fortifying that post. Is sending three French soldiers down in irons. Recommends the purchase of horses for the artillery. Leaves at daybreak to-morrow for Conegogee; in the meantime all the troops are busy repairing the roads. 72
- June 14,
Fort Loudoun. The same to the same (in French). Had arrived from Conegogee, where he had an interview with Governor Sharpe, Sir John St. Clair and Col. Washington and arranged, the march of the troops; details of

1758.

the arrangement follow. Governor Sharpe's proposal to open a road between Fort Frederic and Fort Cumberland, the advantages of which are given. The impending ruin of Dr. Ross, who has supplied the Maryland troops, unless he is paid for his advances; his zeal and good qualities. The difficulty the provincials have in making cartridges. The trouble with the Indians is increased by the breaking out of small-pox; the presence of Mr. Glen among them would have a good effect. A postmaster with couriers and horses is necessary for the army.

Page 82

June 16.
Fort Loudoun.

Bouquet to Sir John St. Clair. Has succeeded in getting over the intrigues, and besides the 27 Catawbas, 100 Cherokees are ready to go anywhere with the troops; never saw people so altered, and was astonished at their understanding, dignity and strength of argument. Is setting out for Lyttleton. Waggon covers and 100 hogsheads of rum and whiskey wanted. 88

June 16,
Fort Loudoun.

The same to Forbes (in French). Substantially the same account of the dealings with the Indians as in the preceding, but more in detail. Can say nothing of his advance beyond Fort Lyttleton till he sees the road with his own eyes, having been so often deceived with reports. Has left Basset with tools in case the road between Forts Frederic and Cumberland require repairs. Recommends that Major Grant be employed. More waggons wanted for reasons given; offers of waggons were made to him at Conegoee by men from Maryland and Virginia. 90

June 22,
Juniata.

The same to Mercer (?). Is glad he remained at Lyttleton to forward convoys. List of waggons sent off by Hoops; others to be sent. A sufficient store is to be kept at Lyttleton to supply the garrison. 95

June 22,
Juniata.

The same to Forbes (in French). Arrival of Callender after being two days on the road, notwithstanding his activity. The difficulty of getting waggons; Callender sent to Carlisle to get bat horses, being better acquainted with the country than anyone. The Indians whom Bosomworth brought made difficulties about leaving Lyttleton, as he was not going with them. If he leaves them here not one will remain, so he has been ordered to join them at Ray's Town, in order to obviate the risk of losing the few there are. Two interpreters are at Winchester. Hoops has sent everything needed. 99

June 28,
Rea's Town.

The same to the same (in French). Arrived on the 24th with the Pennsylvanian Regiment and troops from Virginia. After much trouble a site has been selected for a fort on the height, with a communication to water which cannot be cut off. Has begun, but the troops from Virginia will not work unless they are paid; the Pennsylvanians have willingly offered to work for a gill of rum a day. Until further orders, he shall make the one corps mount guard and the other work. If the soldiers were paid for all the work done, the army in America would cost four fold, as scarcely a step can be made without axe or spade in hand. The Indians behaving well; scouts sent out of Catawbas, Cherokees, &c. Hopes the rations will not be reduced, as the provincials are already dissatisfied. Return of a soldier from a scout almost dead from hunger, who reports that the Indians killed and scalped a Frenchman. The soldier was bitten by a rattlesnake, but the Indians gave him a root to chew; the leg swelled so much that he could not follow, but it is now almost well. 101

June 30,
Rea's Town.

The same to St. Clair (in French). Pressing him to relieve all the posts on the communication between Loudoun and here and to send him the Pennsylvanian Regiment. The amount of work to be done, &c., &c. Troops ordered to make and repair roads. 107

1758.
July 11,
Rea's Town. Bouquet to Forbes (in French). Discussing the state of the roads. The Catawbas have left like rascals; has asked Washington to get the Governor of Virginia to report their conduct to their nation. Cherokees scouting towards the Ohio, and another party out. The roads are lined with broken waggons, and unless an honest and able waggon-master is found no order can be established. The arrangement of the troops; the progress of the different works. Indian reinforcements. Has sent to search for the tools buried by Capt. Burd after the defeat. Concerning waggons. The sabres, or rather hangers, for the light horse, are a mockery; it is their chief weapon, yet they could not kill a hen with it. Page 111
- July 15,
Rea's Town. The same to the same (in French). The settlement of Shingle Clamasche is a chimera, there being no one there. Dunlap's good service with the Indians; he should be recommended for a commission. Does not know how to cure the provincial officers of their indolence, except by cashiering one when the army is collected. The detachments and scouts have the same marks as the Indians, namely, a yellow band round the forehead and a streamer of the same colour from the arm. Two men scalped and a third taken prisoner by pretended Cherokees; had called a council of the Cherokees, and warned them that all Indians not having the mark would be fired on. Movements of scouts, troops, provisions, &c. (The letter enters into minute details). 120
- September 4. The same to the same (in French). His critical position, with only a month's provision and no certainty of waggons to bring a supply. It is impossible to do anything with the small number of waggons, and great delays are caused by the strong bodies of the Indians in the French interest, who should be threshed when opportunity offers. Then the army is getting dispirited, and for his own (Forbes') reputation it is necessary to act, for no explanation will be listened to if there is a failure, for it will be said that it is extraordinary that with 6,000 men for three months, in a Province where there are more waggons than men, and having the power to press them, they were not got, and the officers will be condemned on this point. His plans are: 1. To pay for all waggons that can be obtained willingly; 2. To send St. Clair to refractory districts to take them by force; 3. To represent the matter strongly to the Governor for the Assembly, representing the ruin of the expedition, and the necessity of retreating if waggons are not furnished. If the Assembly refuse, this public letter will be his justification. The public letter should be preceded or accompanied by letters to the principal members of the Assembly, and Young, the paymaster, might be sent to urge the matter. Arrangements for Washington's march. Dagworthy has marched with picked men and Indians. Will relieve the garrisons of Loudoun and Lytleton, and leave beyond the mountains only a corps of observation. 128
- September 10.
Loyal Hannan. The same to Capt. Gordon. Desires him to send a report on the state of the roads from the Alleghany to this post. 134
- September 13,
Loyal Hannan. The same to Lt.-Col. Stephen. That from the delay in hearing from the General on the subject of his (Stephen) being under arrest, desires him to take command of his corps, leaving the result of the case to the General's decision. 135
- September 14. Major Grant to Forbes. Account in detail of the march from the camp at Loyal Hannan to attack the French fort, and why it failed. 136
- September 14,
Loyal Hannan. Bouquet to Col. Mercer. Orders him to send a convoy of flour and bread under escort. 149
- An order follows to escort the sick to Rea's Town and escort the flour &c., to Loyal Hannan. 150

1758.
September 19, Bouquet to Ensign Blanc. Order to carry a flag of truce to Fort Loyal Han- Duquesne. Page 152
nan.
- www.libtool.com.cn
- The flag of truce carried a letter to the commandant of the fort applying for information respecting Major Grant and other officers supposed to be taken prisoners. 153
- September 24, Bouquet to the Governor of Fort Duquesne. Thanks for kind usage Loyal Han- of prisoners. An offer has been made to the Cherokees for the ransom nan. of Belestre, but they refuse to release him. Further efforts shall be made and he hopes the same efforts will be made by the French to rescue Ensign McDonald from the hands of their Indians. 155
- September 24. The same to de Rocheblave (in French). Is sorry that he cannot thank him personally for the trouble he has taken to escort Blanc, for his politeness to Major Grant, &c. 157
- December 3, The same to (in French). The capture of Fort Duquesne; Fort Du abandoned and blown up by the enemy. The difficulties of the march; Quesne. the obstinacy of the defence; the army is composed of raw levies and provincials, many of whom had never seen a musket, but they had succeeded, and the honour is justly due to the General. The capture of Louisbourg is more striking, but this is the most important. The present disagreeable situation of the troops. Out of 9 officers of the Royal Americans 5 have been killed and 2 taken prisoners. 158
- December 26, The same to Col. Mercer, Pittsburgh. The General desires him Ligonier. (Mercer) to engage the Indians to join him in case of an attack by the French, and full instructions respecting his conduct in the defence of the post, &c. 161
- Form of licence for sutlers to attend the army. 166
1759.
January 22, Bouquet to the soldiers of the Maryland forces in garrison at Fort Cumberland. That to meet their complaints he would advance part of the money voted for them by the Assembly, &c. 168
Fort Bedford.
- March 18, Order to the commanding officers on the communication to march to Philadelphia. Fort Ligonier on receiving orders from Mercer or Lloyd; returns to be sent to Philadelphia. 171
- March 18, Bouquet to Lloyd. A hundred men sent to reinforce his post; on the Philadelphia. first news of an attack on Pittsburgh he is to march at once to its assistance, leaving 100 men at Ligonier. Other movements ordered. Is concerned at the sickly state of the garrison; fresh beef for the sick. Stanwix expected; Wolfe to command the expedition up the St. Lawrence, &c. 173
- April 13, Heads of a letter from Bouquet to Byrd. 175
Philadelphia.
- April 13, Bouquet to Mercer. General Stanwix intends an expedition to go up Philadelphia. the Ohio, so he (Mercer) is to attempt nothing against the enemy's posts till he receive new instructions, but to act on the defensive and keep a good look-out. The French reported to be 6,000 strong at Venango, which he does not believe. Stores sent; when the new levies are raised his garrison shall be relieved. Bateaux to be built. The bad conduct of the Indians respecting prisoners; hopes to be able to force them to comply with the treaty; till then there must be patience. The delay in passing the Bill is the cause of not being able to support the advanced posts. The men to keep close to the fort in case of being made prisoners. Changes in the command; Amherst in town. A saw-mill to be built. 176
- April 13, Same to Lloyd. A surgeon sent; the sick to be attended to with- Philadelphia. out distinction of corps. General instructions. 180
- April 26, The same to General Stanwix. Had reviewed the four companies, York Town. which are better than he expected, but are badly off for clothing, &c.

1759.

The frontier posts in want of provisions and the roads in a bad state, which he has given orders to repair; Basset might be sent up to assist. A soldier lately taken prisoner at Ligonier by the enemy and 11 sick killed and scalped. Respecting the procuring of waggons for transport. Artificers wanted, besides pack horses, &c. Progress of recruiting.

Page 18.

May 8,
Philadelphia.

Bouquet to Mercer. The General will defer settling on the situation of the new fort till he can make a personal examination. Gordon is collecting artificers and materials to build a respectable fort; the difficulty of getting waggons till the accounts of last year are settled. Sawyers to be employed. Croghan to deal with the Indians. The Highlanders to be relieved by the Virginians. The bad conduct of some of the parties sent out; an example shall be made. Pemberton to be paid a just price for his goods.

May 8,
Philadelphia.

The same to Lloyd. To give Stephen command at Ligonier and come to Philadelphia. The Highlanders to be relieved, &c., &c.

May 11.

Report on the state of the Southern Department.

May 16,
Lancaster.

Bouquet to Stanwix. How he proposes to overcome the reluctance of the people to furnish waggons; the chief difficulty arises from want of money. Details of the method of proceeding.

May 25,
Philadelphia.

The same to Edward Shippen. Hopes he has settled with the Mennonists. Sends advertisements for waggons. Bags to be made and forage collected with all possible speed, without raising the price. The General is only waiting for waggons to move the troops. How money is to be provided.

May 26,
Philadelphia.

The same to Conrad Weiser. Sends cash to buy oats and other forage.

May 26,
Philadelphia.

The same to Neilson. Has given credits on him to Shippen and Weiser for £1,000 each, and confirms the credit already given to George Stevenson.

May 26,
Philadelphia.

The same to Mercer. The cause of the scarcity of provisions, of which he complains. The want of waggons prevents the moving of troops. Arrangement for those contracted for, to be supplemented by 1,000 pack horses to supply the posts. Gordon's movements. The wavering disposition of the Indians will soon be fixed when they see the British strength and the weakness of the French. Orders to be given that no grass is to be cut within four miles of Pittsburgh.

May 26,
Philadelphia.

The same to Col. Stephen. The General approves of his measures. The arrangements about transport, &c., as in preceding letters.

May 31,
Philadelphia.

The same to Weiser. Approves of the steps he has taken to procure waggons, and leaves it to his judgment as to the pay to be given to constables for the purpose of collecting the necessary number. The troops begin to march from Lancaster on Monday; 1,000 pack horses are to be at Bedford in a few days to carry forage and provisions forward.

May 31,
Philadelphia.

The same to Stephen. The General approves of what he has done and is sorry for the affair with Capt. Bullet. Waggon horses ordered to Bedford, to be employed carrying to Ligonier. The General leaves it to him to march there with a convoy, or to wait till he is reinforced. McKenzie, with his Highlanders, is to stay at Bedford and Juniata. The garrison at Ligonier is never to leave that post without a sufficient force to repel any attack by the enemy. Convoys to Pittsburgh must have strong escorts.

June 1,
Philadelphia.

The same to Mercer. The General approves of his measures. The Indians are being employed in discovering the movements of the enemy. Everything is in motion to support him; the plans detailed. Gordon and Mayer, Royal Engineers, on the march to Pittsburg with artificers, but their motions will be slow, owing to the number of waggons. It is

- 1759.
- June 1,
Philadelphia. a critical time for him (Mercer), but reliance is placed on his prudence. Page 213
Bouquet to Armstrong. Respecting meadows and hay making. Money remitted for forage. Clothing to be sent to Bedford. The complete companies to be marched to Carlisle, and when equipped they are to march to Bedford, where four companies of the Royal Americans are to join them. The waggons to be collected; Gordon's movements, &c., &c. 215
- June 1,
Philadelphia. The same to Ourry. Hopes he has extricated himself from Carlisle; the dismal circumstances of the advanced posts render his presence necessary at Bedford. The movement of troops is given as in preceding letters. "The inhabitants of Cumberland did distinguish themselves last year by their backwardness for the service. I am afraid we shall be obliged to use again the same argument to put them in mind that the King has a right to their service on paying." 218
- June 2,
Philadelphia. The same to Shippen. Is disappointed at the backwardness of the people about the waggons; the Assembly has rejected a Bill to authorise the lending of £100,000 to the General to pay them, so that the people must wait till money comes from England. Arrangements for the supply, &c., of waggons. 221
- June 4. Abstract of letter from Mercer, and abstract of one from Armstrong of 11th June, both sent to General Stanwix. 229
- June 10. A private letter (in French), without place where dated, signature or address, but evidently written by Bouquet, giving an account of his labours owing to the ill health of Forbes; his securing the confidence of the new General in spite of intrigues, &c.; he is second in command and Adjutant General during the campaign, &c., &c. 224
- July 3,
Lancaster. Memorandum by Bouquet respecting certificates to be given to waggons. 230
- July 13. Postscript to a letter from Bouquet to Major Tulleken. Byrd writes he has no tools to open Braddock's road and to build the post at Red Stone Creek; proposes to march his whole corps to the creek, especially as the small-pox had broken out. The General approves of this, unless upon his (Tulleken's) application he had already passed Cumberland; in that case he was to proceed to Ligonier. Movements of other troops. 228
- July 16,
Carlisle. Bouquet to Tulleken. His letters received; his measures approved of, and the General, owing to the increasing numbers at Ligonier and Pittsburgh, is pleased that he has another convoy of provisions ready to set out. Virginians, if they come to Bedford, will form an escort for the convoy. Reinforcements ordered. Abundance of grass within a few miles of the post. Were Gordon at Ligonier or Pittsburg, he would soon have them in a state of defence. 231
- July 17,
Carlisle. The same to Col. Chambers. Orders to put in repair the road from his house to Fort Loudoun. 233
- July 23,
Chambers' Fort. The same to the officer commanding at Fort Loudoun. The General orders an escort (noted) with waggons, &c., to Fort Bedford; disposition of the waggons, cattle, &c., on the march. 234
- July 23,
Chambers' Fort. The same to Clark. Orders to forward cattle, &c. 235
- July 23,
Fort Chambers. The same to Thomas Rutherford and Dr. Thomas Walker. Instructions to engage pack horses to carry provisions and forage for the army to the westward. 236
- July 23,
Chambers' Fort. The same to Capt. Gordon. The interruptions by the enemy have compelled the roads to be neglected; they must now be attended to, as no magazines can be established at Ligonier till waggons can pass.

1759.

- Byrd to be employed between Ligonier and Bedford ; Mayer to remain on the road till it is completed. Mercer's orders. Gordon to remain at Ligonier till he can march a strong convoy to Pittsburgh with at least a month's supply for 1,000 men. He is to begin an intrenchment across the isthmus, where he (Bouquet) shall join when provisions can be forwarded. Has secured waggons. The scheme for opening communication with the Monongahela has been laid aside. Page 238
- August 1, Fort Bedford. Bouquet to Edward Shippen. Unless the waggons can make three trips during the campaign the service will be ruined. Orders to purchase forage, for which a credit has been given. 240
- August 2, Fort Bedford. The same to Capt. Gordon. To begin building the fort near Pittsburgh. Sawmill wanted. 242
- August 2, Bedford. The same to Stephen. His measures approved of. Hopes that the notion of the advantages of Cumberland road will be justified; the necessity of maintaining troops there for escorts; has written to Byrd to know how many he can spare, as it would be hard on the Pennsylvanians to ask them to perform this additional duty. 243
- August 2, Bedford. The same to Gordon. The General is glad to hear of the good state of the roads, but they still need repairs. The difficulties in the way of forming magazines on the other side of the mountains; the reasons given. A large convoy on the road and another ready. The fort to be begun. Reinforcements shall be sent. 244
- August 3, Fort Bedford. The same to the officer at Fort Cumberland. That the cattle coming from Virginia to the westward are to be appraised. All provisions from Virginia or Maryland are to take Braddock's road. 247
- August 3, Bedford. The same to Capt. Gunn. He is to wait and escort the convoy by Braddock's road to Pittsburgh; Col. Mercer to go with him. Other instructions. 248
- August 3, Fort Bedford. The same to Thomas Rutherford. Order to purchase pack horses, as none can be hired in Virginia. How they are to be employed. The 250 beeves that were to be sent to Carlisle are to be sent to Cumberland; 100 more and 200 sheep to be bought. Indian corn and oats to be bought and forwarded. 249
- August 4. Memorandum respecting the convoy going with Major Tulleken to Pittsburgh. 246
- August 8, Bedford. Bouquet to John Hughes. If he cannot get 100 pack horses 50 may do in the mean time, and 400 bushels of salt will be sufficient for the present. 251
- August 8, Bedford. The same to Shippen. Had desired him to pay Hambright the sum necessary to raise 80 drivers and purchase 20 or 30 waggons, with their horses, &c. Sends an order on Neilson for £1,000 sterling. 252
- August 10, Bedford. The same to Capt. Gordon. The General sees no objection to building the fort at Pittsburgh, and many difficulties were another situation chosen; reasons given. The place to be at the forks; to begin there the pentagon fort. Soldiers employed as artificers to be paid 15 pence a day. The 400 men will soon be with him; so long, however, as there is an unlimited number of Indians, it will be impossible to form magazines. 253
- August 10, Bedford. The same to Thomas Willing. Goods to be sent to supply the Indians. If the commissioners cannot furnish them, the trade must be left free to everybody, which would be attended with inconvenience. 254
- August 10, Bedford. The same to Capt. James Robertson. It is too late for his detachment to join the corps this campaign, but to prevent complaints, each man shall be supplied with blankets for nothing, and he may draw for the subsistence of his men, and for shoes, &c., and the General will make a proper allowance to the men for the high price of such necessaries. 256

1759.
August 10,
Bedford. Bouquet to Col. Byrd. The General approves of his keeping 600 men at Ligonier besides the rangers; returns to be sent, distinguishing those on escort. Sends statement to show how impossible it is to furnish reinforcements. Callender goes with the pack horses; 100 to be sent to Pittsburgh. The enemy have only small parties hovering about, so that 100 men for an escort should be sufficient. If Niagara is taken a complete revolution will take place, &c., &c. Page 257
- August 10,
Bedford. The same to Morton (?). Respecting forage &c. 259
- August 10,
Bedford. The same to Mercer. His agreeable intelligence tallies with what came from below. If the Indians cannot be got rid of no magazines can be formed; in the meantime, they are to be reduced to the same ration as the soldiers. The General has fixed the number of Indians to march with him (Mercer) at 300, but if Niagara fall a smaller number will be required; about 50 should secure the march. Wishes a number of Delawares could be collected at the posts, as it would rid the communication of small parties. Complaint of Indians stealing horses; he is to show them the loss in transport of goods this causes. Respecting bags, Indian corn, Indian goods, &c. 260
- August 13
Bedford. The same to Mr. Tunnett. Is obliged for the relation of his glorious operations. 264
- August 13,
Bedford. The same to Shippen. Surprise at the disappointment in Lancaster; sends a letter from the General to the magistrates, and hopes his people will no longer distinguish themselves by their shameful opposition to the public welfare and safety. Forage must be bought at any price, as at this season delay cannot be admitted 265
- August 13,
Bedford. The same to Roger Hunt. Calls attention to abuses respecting waggons, which must be rectified. Sends a letter from the General to the magistrates. Regulations for the waggons. 266
- August 13,
Bedford. The same to Capt. Byers. No waggons yet from Cumberland county. The harvest being over, hopes there will be no difficulty in raising the waggons. 267
- A letter of the same date to Alexander Graydon, urging the necessity of providing waggons. 268
- August 15,
Bedford. The same to Mercer. To bring the Catawbas to Bedford, where they will be clothed. The total ruin of the French at Niagara will clear the road of small parties of hostile Indians, &c. 270
- August 15,
Bedford. The same to Rutherford. Urging that the horsemasters appointed be careful, active and intelligent, the drivers being commonly the greatest villains upon earth. 271
- August 16,
Bedford. The same to Mercer. The enemy having saved the trouble of an expedition to their forts, all the troops with him (Mercer) are to be employed on the works under Gordon. To keep Finnie's men and get rid of the Indians. Niagara to be garrisoned from Pittsburgh; the General desires his opinion as to the best method of marching 500 men for this purpose. To ascertain if there is a road from Presqu'Isle to Niagara. Horses killed by the Indians; others must be bought. Kill-buck stole 16 horses and scalped the driver, besides committing other insults on the road, for which the General demands satisfaction. Rum or any other necessaries to be bought from the sutlers for the artificers and troops. 272
- August 16,
Bedford. The same to Croghan. Has received report of conference with the Indians; everything shall be done to establish an extensive trade with them. Their own brethren in the French interest are to blame for the delay in getting goods. Remarks on prices charged by the commissary shall be considered. To prevail on the Indians to return the stolen

- 1799
 Bouquet. The behaviour of Killbuck. To ascertain how Niagara can be
 gathered. Page 276
- August 11
 Bedford. William appointing Mercer Assistant Deputy Quartermaster Gen-
 eral. www.indianweb.com.cn 278
- August 14
 Bedford. Bouquet to Mercer. That he is not to interfere with contracts of
 Walker and Lumsford to supply flour forage and cattle for the army
 to the westward except to furnish assistance. His pay as Assistant
 Q. M. is retained to be made accounts prepared &c. 279
- August 16
 Bedford. The same to John Byers. Is glad to see the people in his department so
 favourably disposed. Sends £1,000 sterling to pay for carriage in his
 country. To send as many waggons as he can. 281
- August 22
 Bedford. The same to John Hughes. That orders shall be sent to give the
 drivers provisions free, this was intended as a favour, not as an obliga-
 tion and points out the violation of the terms of the first proclamation,
 by which the drivers were to receive provisions on going to Pittsburgh,
 but not in the settled parts of the country &c. 282
- August 22
 Bedford. Advertisement by Bouquet, for the encouragement of waggons
 bringing oats to Bedford. 285
- August 22
 Bedford. The same in German. 284
- August 22
 Bedford. Bouquet to Governor Faugtier. Calls attention to the subject of trade
 with the Indians and that it would be beneficial for his Province to
 share in it: recommends Famine to his protection: to render the com-
 munication from Virginia easier, the General has ordered a road to be
 opened to Red Stone Creek where he will build a little stockaded post
 and storehouse. The arrangements for carrying on this work. 286
- August 26
 Bedford. The same to Mercer. Sends £1,000 Virginian currency. Byrd to
 March with 200 men to open the road by Gist to Red Stone Creek and
 build there the storehouse. Orders about forage, pack horses, &c. The
 want of forage is so destructive that if money can procure it every
 encouragement should be given: an assistant may be engaged. Has
 written to the Governor about the Indian trade. 289
- September 1
 Bedford. The same to the same. That he was not able to get gold or silver,
 but had desired him Mercer to put the price on every article, using
 the paper till hard cash can be sent. The absolute necessity of getting
 forage without delay. Recapitulates orders given on previous occa-
 sions, &c. 291
- September 1
 Bedford. The same to Shippen. The vexatious delays in getting forage. Com-
 ments on the attempts of the waggons to overreach. &c. 295
- September 1
 Bedford. The same to Byrd, and to Lieut. Smith of the same date, relating to
 the supply of forage. 297, 298
- September 1
 Bedford. The same to John Pemberton. The death of his agent is a great loss;
 has written to the General asking him to give the necessary orders to
 protect his (Pemberton's) goods, skins, &c. Had remained here to for-
 ward provisions to the Ohio, but the backwardness of the people of
 Pennsylvania and almost total stagnation of waggons put it out of his
 power to subsist the troops there. About 400 or 500 Indians to feed at
 Pittsburg, so that no magazines can be formed. Unless the Legislature
 assist, all the advantages obtained by so much pain, danger and ex-
 pense, the peace with the western Indians and the building will remain
 imperfect. 299
- September 1,
 Bedford. The same to John Byers. Sends statement of the case of John San-
 derson, who has just reason of complaint, which must be settled. 300
- September 4,
 Bedford. The same to Byrd. His difficulties; the bad weather a great misfor-
 tune. The delays by bad roads. The directions given to Major Liv-
 ington. 302

1759.
September 4, Bedford. Bouquet to Livingston. The roads being too bad to send waggons to Fort Cumberland, pack horses are to be employed. General instructions. www.libtool.com.cn Page 304
- September 10, Bedford. The same to Mercer. Is pleased at the good news. Approves of raising the price of forage to get as much as possible delivered at Red Stone Creek or Pittsburgh. Money matters; certificates for supplies to Indians between Cumberland and Winchester to be paid by the Province or the Crown; he is to settle that. If escorts are wanted, to supply them. 306
- September 10, Bedford. The same to Rutherford. Calling his attention to the saddles for the pack horses being so bad that they would ruin them; 300 horses have been already lost by this. Instructions to forward forage, provisions, &c. 309
- September 11, Bedford. The same to George Stevenson. McKinney, waggonmaster, has brought 22 waggons, having left six on the roads. Oats wanted; the price to be raised; money sent. To try to get two trips more out of the waggons. 324
- September 11, Bedford. The same to Stephen. Has ordered Armstrong to forward bullocks. He (Stephen) is to march to Pittsburgh with the rest of his regiment taking the convoys that are ready and another escort to take up a drove of bullocks. Returns of tools to be made, that a supply may be sent to open the road from Ligonier to Pittsburgh. 315
- September 12, Bedford. The same to Captain Sinclair. The scene seems altered for the worse; the large supplies sent may, however, enable them to wait for the new channels of Maryland and Virginia. No dependence can be placed on Pennsylvania. The highest price to be offered to get the people to thresh their oats, the price to be 2s. 6d., which shall not be raised. Wheelwrights to be sent. Rum to be forwarded. Hambright's horses to be dispatched as soon as possible. The scrupulous attention by Shippen to his orders, though the circumstances have altered, has hurt the service. Approves of the increase to the salary of Calhoun, the forage master. 317
- September 12, Bedford. The same to Alexander Graydon. Is sorry for his illness. The means taken to disable their horses show that nothing is to be expected from the people of his county; to pay by the day will never do with people of such principles. How the forage should be carried and settled for. 319
- September 12, Bedford. The same to Shippen. Capt. Hambright's account is so high that the loss of his time is more deeply felt. Instructions as to the price of forage, carriage, &c. Byrd has had a fever. Shippen well. Appearances favourable for supplies from Virginia and Maryland. The supplies drawn from other Provinces will deprive his (Shippen's) Province of the trade the people had in their power; such stupid, obstinate, narrow sighted people do not deserve the favour of Providence. 321
- September 14, Bedford. The same to Armstrong. He must be very idle at Ligonier to pick a quarrel with an officer for walking with a sutler; he himself (Bouquet) deserved to be broken a hundred times if that was unbecoming the character of an officer. Is sorry he could not send him better horses, but it was all he could do; will send all the men of his battalion fit for duty. Returns of working tools to be sent to Gordon. Shelby reconnoitring for a new road. Asks him to send return of men, women, provisions and stores at Ligonier. 314
- September 16, Bedford. The same to the same. A supply of flour sent; he need only keep eight days' provisions, as plenty will be sent on; of bullocks he must have always a fortnight beforehand. Orders for cutting out roads. There is no use for artillery with him just now; if he applies to the General the artillery men will, no doubt, be ordered to their corps. 325
- September 16, Bedford. The same to Gordon. Sends returns of tools, &c., with remarks 327

1759.
September 18, Bedford. Instructions to Capt. Woodward, commanding at Fort Cumberland. Page 311
- September 21, Bedford. Bouquet to Mercer. Sends bills to pay for certain services, with remarks. Cannot understand the cause of the delay in the return of pack horses from Winchester. Various orders respecting the forwarding of flour, &c. 328
- September 25. Note of money paid in Virginia, from 20th August to date. 331
- September 29. Bedford. Bouquet to Shippen. Note of money sent. Hambright's brigade in sight; he has lost many drivers and horses. Forage abundant. 332
- September 29, Bedford. The same to the same. Sends draughts on him to be disposed of as noted. 332
- September 29, Bedford. The same to Capt. Sinclair. Note on money matters, &c., &c. 333
- September 29, Bedford. The same to Capt. Woodward. Explaining the orders in Ourry's letter, which had been misunderstood. 335
- October 1, Bedford. The same to W. Ramsay. All the flour delivered on the Monongahela this year will be paid at the same rate as the quantity mentioned in the contract; will depend on him performing his engagement, but will not cavil about a day. Payment is in the hands of Mercer. 337
- October 1, Bedford. The same to Mercer. Has his letter, with receipts for money. The fatal consequences of the delay of the pack horses, namely, the starving of Byrd's party; a little convoy went to him yesterday, but is horribly afraid of the consequences. The rest of the letter gives detailed instructions respecting supplies. 338
- October 4, Bedford. The same to Armstrong. Owing to the heavy rains has stopped the waggons, but flour being wanted at Pittsburg, he is to send it on pack horses, &c., &c. 343
- October 5, Bedford. General order respecting officers' horses. 344
- October 6, Bedford. Bouquet to Adam Hoops. Upwards of 200 beeves received besides sheep. Graham has a written contract for salt, but not for cattle; has however, given orders that all above 400 pounds would be received from him and sent to Pittsburgh. Has never yet received a return of provisions at Pittsburgh. Respecting flour and other provisions. 345
- October 6, Bedford. The same to Capt. Sinclair. How he is to settle the price of forage; arrival of cattle, &c. The regularity of his invoices saves eternal complaints of the drivers. 347
- October 6, Bedford. The same to George Stevenson. Sends money. Sinclair will inform him of the quantity of forage wanted. 348
- October 24, Pittsburg. The same to Byrd. Has been on the road opened from the three redoubts to this place. The General approves of the two small houses proposed to be built at the crossing of the Yioghiogheny; a sergeant and 10 men to be left at that post. He is to get the bridge built at the little crossing, Fort Cumberland. He is to leave a lieutenant and 25 men at his post, and take the rest of his detachment to Pittsburgh. 349
- October 25, Pittsburg. The same to Thomas Walker. Instructions as to the supply of flour, beef, &c. The General is willing to pay for the waggons destroyed by the enemy during the campaign. Instructions as to supplies till 1st January, 1760. Money sent to settle his accounts. 351
- October 25, Pittsburg. The same to Mercer. Note of orders given about the settlement of accounts. No supplies received from Virginia. Contract was made with Ramsay for flour, but meal was ordered to be taken to prevent evil consequences; the meal was, however, so bad that it had to be refused. Only cattle of 400 pounds and upwards taken. Other orders about provisions, and the General desires him to settle everything before leaving Winchester. 353

1759.
October 23,
Pittsburgh. Bouquet to Mercer. Further about provisions and how they are to be forwarded. Will meet him at Winchester to settle accounts. Page 357
- October 29,
Pittsburgh. The same to John Hughes. Is obliged for an account of the glorious success at Quebec, which will close the war. Is disappointed that Seely's brigade did not go to Ligonier; Ourry has received orders to send the waggons there for at least one trip. There are now provisions enough for the rest of the campaign. Virginia was to send 1,000 barrels of flour, but none received. 359
- November
13 to 24. Jottings. 13th, respecting money, &c.; 20th, notes that all papers and receipts were burned in Callender's house, besides baggage and wine; 24th, note of salt, &c., forwarded, and apparently a list of clothing lost in the fire. 361
- November 18,
Fort Burd. Instructions to the commanding officer at Fort Burd on the Monongahela. 362
- November 19,
Fort Burd. Bouquet to General Stanwix. Delay by the lowness of the water; it is now high, but there are no provisions to send; part of the convoy gave out on the road; only pack horses can now be used. Horses stolen, and expects to lose many when the troops are ordered down. Goes tomorrow to Fort Cumberland; the country people have brought in flour; snow deep on the mountains. The fort nicely finished. Stoddard left as King's commissary. 364
- November 27,
Fort Cumberland. The same to Capt. Richard Paris, at Cumberland Fort, instructing him to open a new road, to repair damages, &c. 366
- December 14,
Winchester. The same to Blythe. To take an inventory of stores at Fort Cumberland and leave a copy with Ensign Wass. The horses of the people on the South Branch are not to be impressed; others, especially those carrying liquor, to be pressed to carry salt. Detailed instructions respecting transport. 368
- December 29,
Lancaster. The same to Hoops. Provisions to be supplied to the old and new levies by the method pointed out. Returns of the cost of beef, &c., wanted. 371
- December 29,
Lancaster. The same to John Nelson. Sends a bill to be cashed; desires him to send his account. 373
- December 29,
Lancaster. The same to Stanwix. Reports the steps taken towards the settlement of accounts and the money wanted. The barracks cannot be made habitable this winter; the magistrates refuse to quarter the troops; has quartered them himself without noise or complaint. Prevost has asked for clothing to replace some burned at New York. Haldimand writes from Oswego. 374
- December 29,
Lancaster. The same to Sinclair. Approves of his proposal for appraising the meadows. How the accounts of Harris are to be settled for forage. Detailed instructions respecting his duties as Assistant Deputy Quartermaster General. 377
- No date. Various memoranda. The first relating to the roads, 200 miles of continual mountains, impracticable for waggons. If part of the army is to march to Fort Erie to dispossess the enemy, bateaux must be built at Pittsburgh. Opening roads; the portage at Le Bœuf and taking the forts would take till the 25th September or beginning of October. Then follow calculations respecting provisions, ammunition, transport, &c. 381 to 385
1760.
May 24, Remarks on Colonel Bouquet's accounts with the public in 1759 settled with Major General Stanwix at Philadelphia on the 24th of May, 1760. 386

LETTERS TO VARIOUS PERSONS.

1750-1764.

www.libtool.com.cn

Vol. II. PART I.

A 22-1

R. H. ZIMMER

- 1749
January 3
Lancaster
Order by Bouquet to Capt. Sinclair to pay a sum to Capt. Evan Shelby with receipts. Page 1
- February 24
Lancaster
Bouquet to Peters. Enters into a statement of considerable length as to the causes why he is dissatisfied with his Peters' conduct toward him, giving details but adds that his prudence and discretion will make amends and that he has kept nothing on his mind that may affect his true regard for him. The Governor's proclamation will he hopes remove suspicion from the mind of the Indians. Is in a fair way of being a sufferer by his investments in Pennsylvania for reasons given. Presents a affair still in the same state. The horrid confusion of regimental accounts under Young's administration has stopped payment of arrears and promotion. 2
- February 29
Lancaster
The same to Plimsted. Has received report of his being appointed agent for victualing the troops. Live cattle and flour wanted for next campaign. 3
- April 24
Philadelphia
The same to ———. Governor Hamilton has sent word that Frederick Post was thrown from his horse and so much hurt he had to be brought back, that Amherst's speech to the Indians was to be modified at Post's suggestion, and that Logan was to be consulted, so as to get Post's views, in order to express the changes necessary in Amherst's speech. Explains the changes and sends the speech as altered. 10
The speech enclosed, with remarks, &c. 12 to 15
- April 27
Philadelphia
The same to Hugh Wallace. Has received draught for £137. Not to advance more money to Mrs. Gualy. Books and clothes received. 16
- May 15
Philadelphia
The same to Armstrong. Is sorry that he is not to be employed on this campaign. Asks his assistance in the valuation of certain horses and names the appraisers. 17
- June 6
Fort Leoni
down.
Order by Bouquet to supply a ration to the people employed by the contractors. 19
- June 17
Fort Leoni
down.
Orders for the repairs of the road to Turtle Creek and a little way beyond it. 20
- July 4
Fort Pitt.
Bouquet to Lieut. Timberlake. His detachment is to be sent here in charge of a serjeant; he is himself to remain at Fort Bard to receive forage, &c., till Stoddard arrives. Sends prices to be paid and other arrangements. 22
- July 4
General orders for the day, respecting recruits, muster rolls &c., with list of officers present and those absent. 24
- August 31
Presque Isle.
Bouquet to Major Walters. His detachment has arrived and is detained waiting letters. Flour &c., received; must depend for supplies on Niagara. Is building a large boat to bring them, but will require oakum, sails, &c.; if not fitted out, the garrison will run the risk of starving. Deserters sent. Materials needed to build a sloop. 30
- September 12
Presque Isle.
Same to Thomas Cresap. Must take time to consider the offer to take shares in the Ohio Company. He could get German and Swiss families to settle, but by the treaty of Eaton it was agreed not to settle land beyond the Alleghany, and though Virginia and Maryland did not accede to that treaty they are equally bound by it. The form of Government, too, must be fixed. He wishes to have details of the plan, but

1760.

would readily contribute to the settlement as being of great service to the Colonies. Page 32

September 22, Presqu'Isle. Bouquet to Major Walters. Letters received and sent. Duplessis missing; is afraid he may have been killed or carried off prisoner to Detroit; the Indians to make inquiry. He should report Ensign William Hay as unfit for duty, so that he could get enough from the sale of his commission to carry him to his friends. Respecting provisions. General expectations of peace. Amherst's answer concerning recruiting. List of officers who have purchased. 34

September 22, Presqu'Isle. The same to Major Gates. Hutchins has brought the letter and five Indians; they will not go on the errand. Hutchins goes to Venango to be back in a week; he will try to bring Indians to search here. Does not expect an attack, but that the communications may be infested. A boat sent with an officer to Niagara has been wrecked, people and letters saved. Niagara very ill provided. Is sending to Le Boeuf to cut and square timber, &c. 37

October 9, Presqu'Isle. The same to Stanwix. Gives an account of his march from Fort Pitt on the 7th July, with the distances, state of the roads, &c.; he was ten days getting here, where he found Gladwin, with 400 infantry and provincials and bateaux for the detachment of Royal Americans, which left for Niagara on the 18th, under Major Walters. Remained at Presqu'Isle with 100 Virginians to build a Royal blockhouse, reinforced by Mercer with 150 of the Pennsylvanian new levies. Several men lost by the attacks of parties from Detroit. Stewart has taken post at Venango. Duplessis supposed to have been killed; he is a loss to the service. Niagara cannot supply stores; most of them are brought from Pittsburgh by land. Rogers has arrived with rangers from Montreal; a detachment is to come up to garrison Detroit, Michillimakinak and their dependencies. How he is to send off and victual the rangers he does not know. The distance to Detroit is 240 miles, and as much more to Michillimakinak, so that he does not believe any post but Detroit can be garrisoned this winter. Rogers is to escort the French troops to Albany. 39

October 22. General orders. Owing to the repeated thefts of pork, the commanding officer finds himself obliged to put the men on half allowance, &c. 42

October 25, Presqu'Isle. Bouquet to Capt. Clapham. Bateaux sent for provisions, &c. The sloop cannot be trusted during the variable winds. 43

October 31, Presqu'Isle. The same to the same. If he cannot make this post, he is to unload at the nearest harbour; the provisions shall be brought up in bateaux. 44

November 18, Presqu'Isle. The same to an officer in command of a party with provisions to Niagara, enjoining the greatest care during the bad weather of men, boats and provisions. 45

November 18, Presqu'Isle. Memorandum for Col. Mercer. 47

November 26, Fort Pitt. Bouquet to the sergeant of the Virginians. Orders to garrison Fort Burd, and instructions. 49

November 26, Fort Pitt. Instructions to the officer sent with a detachment to garrison Fort Bedford. 51

November 28, Fort Pitt. Bouquet to Capt. Cochrane. Instructions on his taking command at Presqu'Isle. 52

November 28, Fort Pitt. The same to Lieut. Swinglius, to deliver over the post at LeBoeuf to a detachment sent to relieve him. 54

November 28, Fort Pitt. The same to Capt. Miles, Presqu'Isle. Has sent a detachment of the Virginians to relieve him, in case the Royal Americans from Niagara had not arrived. 55

November 3, Fort Pitt. The same to Major Stewart. Received beeves and the horses loaded with flour, &c. Planks sent down. Pennsylvanians to be kept to carry

- 1760.
- on the work. All the escorts to be supplied by Virginians; only small parties required. Disappointment in receiving provisions from Niagara; all that could be spared sent to Detroit; depends for supply on those sent by bateaux to Le Bœuf, thence by pack horses. To employ all the horses he can get. Page 5.
- December 11, Bouquet to Major Stewart. Is obliged for his expedition in sending detachments ordered. If he cannot get bateaux to LeBœuf, to try to get horses from the Indians; arrangements for payment. Explaining the order for garrisoning Venango, LeBœuf and Presqu'Isle. Other orders as to troops, bateaux, &c. 6
- December 20, The same to Capt. Cochrane. Vaughan's regiment being sent to this department to relieve the Virginians, who are to be sent to Winchester. it will not be necessary to detain the 40 Royal Americans, and with the 60 men from Niagara he is to garrison both Presqu'Isle and LeBœuf, sending all the Virginians to their forts. Other arrangements about flour, cattle, &c. 5
- December 20, The same to Major Stewart, Venango. Letters received. The same could not reach Venango with the £50. Materials cannot reach LeBœuf this winter; how they are to be stored and looked after. If the bateaux cannot get up with flour to LeBœuf, the garrison must be reduced to 14. Concerning Vaughan's regiment, as in preceding letter. Only 40 men, including officers, sergeants and drummers are to be kept at Venango. 5
- December 31. Order that no strong liquors are to be sold in the garrison (Fort Pitt?) 61
- No date. Remarks on the necessity of quartering troops in Lancaster in 1760. 64
1761. List of articles necessary for the western department in 1760. 65
- January 24, Bouquet to Livingston, Fort Major at Cumberland. Returns received. he is to obtain returns of tools from the man sent by Capt. Hay to take charge of artillery stores. Two men sent down, prisoners for debt; the creditors are to provide for their subsistence. 67
- January 29, The same to Lieut. Garsten. Instructions as commanding at Bedford. respecting stores and forage. No one to go to the settlements from the upper posts without a pass. Two men to be kept as expressees, one at Bedford and one at Juniata. 68
- March 6, Similar instructions to Capt. Gwynne at Ligonier. 70
- March 6, Order to an officer (not named) to march with Ensign Artel (Hertel) and three soldiers of the French marine and five militia men from Shawanese Town to deliver them to General Monckton at Philadelphia. if the General has gone to New York they are to follow him there with the prisoners. 73
- March 19, Bouquet to Capt. Gwynne. Blane to relieve him at Ligonier; he is to join that garrison to the regiment and proceed to Philadelphia, &c. 76
- April 12, &c. Weight of Col. Stephen's bullocks killed here in 1761. 77
- April 12, Bouquet to Lieut. Blane. Orders forbidding the impressment of horses or carriages at Ligonier and Bedford. 79
- May 20, The same to Lieut. Carre. Instructions for his command at Venango to which he is to march to relieve Lieut. Baillie. 79
- May 21, The same to Lieut. Guy. He is to keep the canoe carrying flour, &c. during the summer, to Venango; some sheep will be sent up. 81
- June 9, The same to Col. Cresap. Is obliged for offer of his interest at the next election of members to represent the county, but must decline the honour. 82

1761.
June 10,
Fort Pitt. Bouquet to Major Walters. Regulations as to drummers carrying arms. Respecting soldiers claiming their discharge. Page 83
List of soldiers to be discharged at Niagara in June, 1761. 84
- June 13,
Fort Pitt. Bouquet to Dellienc (in French.) Respecting his mismanagement of the estate. Hopes to be in Charles Town; to wait his arrival. 86
- June 26,
Fort Pitt. The same to ———. Has received six venison hams. Tooson to go with an Indian to explore a shorter and less hilly road to Venango, and if thought worth while to have it blazed. Sends locks, &c. 88
- June 30,
Fort Pitt. The same to Capt. Campbell. His first account of the defection of the Six Nations he could not credit, but the last puts it beyond doubt. Has secured the post against an attack. The chiefs here deny all knowledge of a plot, and appear to be sincere, and it is for their interest to be at peace with the British. They have engaged to negotiate with the Shawanese to deliver their prisoners and give up stealing horses. The general behaviour of the Indians (the Delawares excepted) has been intolerable. One was shot the other day when carrying off eight horses, seven of which were recovered. Venango and LeBœuf have provisions for one year. Powder sent. Cannot spare an escort for bullocks just now, but will send some when the storm is over, which he believes will be soon, as the Six Nations could only trust to surprise. Has had no instructions about Detroit, except to send cattle; he should employ Canadians to fetch them. Does not know where troops could be spared to reinforce him. Naval stores wanted. Paymaster's accounts settled. Movements of officers. 89
- July 9,
Fort Pitt. The same to the same. Believes that the repulse given to the Six Nations by the western Indians and the discovery of their scheme will make them drop it, but it gives a fair opportunity to close the connection with these nations. Sir William (Johnson) must know of their plots. More horses stolen and ineffectual pursuit; the Indians have also stopped expresses. The indiscretion of publishing the affair about Baby, which is now known to everybody. The inconvenience of dealing in Indian politics, in which so many are concerned, without any general system. The Pennsylvanian Government are treating with the Delawares in an underhand way, so that he can do no good. Is purposing to have a closer union with the Delawares, who will join in a belt to the Wyandots; their first step was to pursue the thieves of the Six Nations and to bring the Shawanese to a sense of duty. The steps he has taken to curb the licentiousness of the traders. Trusts Callender's imprudence may be forgiven on account of his services; Amherst expected. The miserable condition of the soldiers from want of clothing, &c. 94
- July 12,
Fort Pitt. The same to Capt. Cochrane. Respecting men claiming their discharge. If he has not enough of sergeants, to appoint Corporal Moss. Mrs. McIntosh to be sent away. "She is not better than the rest of her sex here, who seem a colony sprung from Hell, for the scourge of this place." Dow not yet arrived; clothing sent. The new Secretary at War is Townshend; does not think he would have time to look at petrifications 98
- July 24,
Fort Pitt. The same to Andrew Fesch. Respecting his plantation in South Carolina. 100
- July 31,
Fort Pitt. The same. Apparently a circular to the posts, that he has been robbed of a large sum of money, and that every one going down the country is to be arrested and searched. 103
- August 1,
Fort Pitt. The same to Barnsley. Details of the robbery referred to in the preceding letter. Part of the money found, but not the thieves. 104
- August 3,
Fort Pitt. The same to Blane. To allow those detained to continue their journey; no one coming down to proceed without a pass, nor those having more than £15 in money. 108

1761.
August 12,
Fort Pitt. Bouquet to Lieut. Elias Meyer. He is to take a detachment to Sandusky and build there a small blockhouse, as a resting place for parties to and from Detroit. Instructions as to proceedings during the march and on arrival, &c. Page 109
- October 5,
Fort Pitt. The same to Mrs. Fesch. Thanks for the care of his baggage. Remonstrates on her husband's conduct with respect to the estate under his care. 112
- October 13,
Fort Pitt. Letter to Andrew Fesch of the same date and on the same subject. 114
- October 18,
Fort Pitt. The same to Lieut. Carre. To make an investigation into the complaints of the Indians that they had been ill used by soldiers at Venango. 117
- October 22,
Fort Pitt. Bouquet to — (in French). A friendly letter to a lady (apparently an elderly lady, as he speaks of her being a grandmother), describing his situation; the extent of the conquest and the troops being scattered over such a wide space; his solitude, desire to be among friends. Haldimand's satisfaction with Canada and his advice to him (Bouquet) not to quit the service. 119
- October 31,
Fort Pitt. The same to Plumsted and Franks. Remarks on the inordinate supply of cattle sent up and their indifferent quality. Has given them sufficient warning that barrels are wanted. 123
- December 2,
Fort Pitt. The same to Livingston. Has sent a proclamation, forbidding hunting and settling on the Indian reserves on this side of the Alleghany Mountains. 125
- December 2,
Fort Pitt. The same to Capt. Young. Asks him when he gets to Carlisle to get the subsistence for his men, who have remained in garrison after their time had expired. 126
- December 6,
Fort Pitt. The same to Byrd. Owing to the desertion and disobedience of the Pennsylvanian troops, it is impossible to keep them in garrison longer, except with the result of all discipline being ruined; he is, therefore, to march them to Carlisle, by a route described. 127
- December 12,
Fort Pitt. The same to — (in French). Letter to a lady (Madame Gually?) at Halifax, of the same general character as that at page 119. 128
- December 25,
Fort Pitt. The same to Plumsted and Franks. Letters received by the coopers. The shrinkage in the weight of the cattle. The post overstocked with provisions. 132
- December 25,
Fort Pitt. The same to Sir John St. Clair. Respecting agricultural operations. Has no money nor credit to settle for contingencies; hopes he will send some one to collect, settle and pay these accounts. 134
- December 26,
Fort Pitt. The same to Plumsted and Franks. Respecting their unsettled accounts, of which they have written to Sir John St. Clair. 136
- No date. Two statements of accounts. 140-141
- No date. Report that Mr. Baby, a French trader, who has not taken the oath of allegiance, had been allowed a bateau to bring up his skins from Shawanese town, on condition of not carrying up goods; on attempting to violate the condition his goods have been seized. Blaine, an English trader, implicated. 73
- No date. Report of the fort guards and guards defending Fort Pitt, 1761. 72
1762.
January 9,
Fort Pitt. Notes concerning the flood at Fort Pitt, on the 9th of January, 1762, sent to the General by Capt. Thomson. The letter describes the rise of the flood, the damage to the fort, &c. 142
- February 3,
Fort Pitt. Bouquet to Hoops. Has received his letter, with Amherst's dispatches. Has given up hopes of leave of absence. His chief anxiety is a debt to be paid in May to Sebastian Graff, near Lancaster, which he cannot settle so long as he is here. The ruin caused by the flood. 146

1762.
February 17,
Fort Pitt. Bouquet to Plumsted and Franks. Will continue to have their interest in sight, by preventing negligence on the part of those employed. Remarks on pork, salt, &c., received. Page 148
- February 17,
Fort Pitt. The same to Capt. Young. Asks him to thank the Government of Pennsylvania for their attention to his recommendations. To represent, if Pennsylvania is to raise more men for next campaign, that the boys and old men in the last were the cause of great expense, and did not answer the expectations of the public. 150
- February —,
Fort Pitt. The same to Lunan. A letter written in a humorous style, in answer to fault found with his handwriting, and recommending Lunan, instead of wasting his time on such criticism, to marry before old age come. 152
- March 11,
Fort Pitt. The same to Madame Fesch (in French). Respecting the attempt to retain the management of the estate by quibbling and legal delays, which can only lead to ruin. 155
- March 29,
Fort Pitt. The same to Plumsted and Franks. To have returns made of women drawing rations as attached to the Royal American Regiment. 160
- April 8,
Fort Pitt. The same to Capt. Schlosser. Orders to reduce the garrisons at the three blockhouses on Lake Erie; the rest to march to Fort Pitt. The reduced force noted. He himself is to return to Niagara, but may come to Fort Pitt to settle accounts. Instructions of what is to be done before leaving. 161
- April 8,
Fort Pitt. The same to Lieut. Guy. That Schlosser is to relieve his post; to settle with Schlosser about the men's subsistence. 164
- April 8,
Fort Pitt. The same to Lieut. Carre. Letters with orders to be forwarded to Schlosser. He himself is to remain at Venango till relieved. Provisions sent; a year's supply to be sent to LeBœuf. Instructions as to the arrangements he is to make before leaving. 165
- May 2,
Fort Pitt. The same to Capt. Bentinck. Although it may be of advantage to him to go to Europe, advises him to postpone it. The Spanish war is favourable to young officers, but he (Bouquet) is cured of ambition, and three years at Pittsburgh would wear out any man's patience. The letter is of a private nature, relating to friends. 167
- May 17,
Fort Pitt. The same to Sergt. McDonald. Has leave to go to Fort Cumberland for his pay. To give no bounty to men re-enlisting, for reasons given. 171
- May 18,
Fort Pitt. The same to Lieut. Guy. To account for provisions since his arrival at LeBœuf. Returns to be regularly sent. Only one woman at a post to be allowed provisions; and no Indians are to have provisions, except at Fort Pitt; Kettles are provided for Cochrane's company. Will send sheep and cows, but recommends purchasing venison. 173
- May 20,
Fort Pitt. The same to Lieut. Dow. Has received his letter giving him the disagreeable news of being another year in this department. To go with clothing to Niagara. Walters will forward the proportion for Detroit. At Presqu'Isle he will see his son; Hay would relieve him if he could get the major's consent; if not some other way can be tried. Party sent to clear the road from Philadelphia. Inventory of Mather's effects, &c., &c. 175
- May 20,
Fort Pitt. The same to Hoops. Has ordered Ormsby to settle with Thompson, who complains that he is not allowed to sell liquor, although every other privilege is granted him. The bond to Graf is not due till June. Have at last received fresh beef. Leaves in a few days for Ligonier and Bedford to inspect the magazines. 177
- May 24,
Fort Pitt. The same to Amherst. Has informed the posts of the declaration of war against Spain. Outrages by the Shawanese; their turbulent character; they might be chastised at a convenient time. The Delawares are preparing to deliver up their prisoners. The Indian agents a cause of expense. The good effects of the stoppage of rum. Respecting men entitled to or claiming discharge. His aversion to give umbrage to

- 1762.
- the civil power. Thanks for promotions in the battalion. Has finished repairs; is making bricks and repairing roads; every man is employed. Provisions to the small posts. Page 179
- May 25,
Fort Pitt. Bouquet to Capt. Campbell, Detroit. Congratulates him on obtaining the General's warrant for the settlement of his accounts, with remarks. Provisions ready to be sent. No hope of being relieved, owing to the Provinces being dilatory, and Maryland, as usual, refusing to raise troops. Respecting the men entitled to their discharge; a number re-enlisted for the war. All the rum at Niagara taken into the King's stores; hopes no more of the pernicious liquor would be imported. Has spoken to Schlosser about the bad conduct of his son. Respecting cattle, promotions, movements of officers, &c. 184
- June 14,
Bedford. The same to Lieut. Baillie. Instructions to go to Carlisle to have clothing forwarded to the garrison at Fort Pitt. 185
- June 20,
Coregigue. The same to Barnsley. Has met the express; hopes to be soon at Pittsburgh. Ourry will send invoice of clothing, &c. 189
- July 29,
Fort Pitt. The same to Governor Fauquier. Has obtained some five pound bills of Virginia, supposed to be counterfeit, which he encloses. 190
- August 5,
Fort Pitt. Letter to Major Livingston, enclosing the preceding. 190
- August 24,
Fort Pitt. The same to Lieut. Guy. Account received of provisions received and issued at LeBœuf; remarks on the deficiency. 194
- September 7,
Fort Pitt. The same to Lieut. Gordon. Hinges and other iron work sent. The weakness of the sergeant; what steps are to be taken to put a stop to grumbling; the men working hard to get a gill of whiskey a day. General instructions regarding the post, the treatment of Indians, &c. 197
- September 22,
Fort Pitt. The same to Sergeant Major Butrick. Does not know of Potts resigning the adjutancy, but if he does will be glad to serve him (Butrick) in regard to the succession. 203
- October 2,
Fort Pitt. The same, apparently to Mrs. Fesch, but the letter, about the plantation, is almost illegible from the effects of damp. 204
- October 5,
Fort Pitt. The same to Baynton and Wharton. That their memorial is settled by a bond granted in their favour; he will see that the conditions of the bond are fulfilled. 207
- October 7,
Fort Pitt. A letter to W. Allen on the same subject, and of the same date in A 23-2 p. 341.
- October 7,
Fort Pitt. The same to Lieut. Guy, Ensign Price to relieve him; instructions to deliver all orders, &c., to him. Blankets to be sent, as the men cannot be allowed to suffer for other people's neglect. 205
- October 7,
Fort Pitt. Instructions to Ensign Price on proceeding to relieve Lieut. Guy at LeBœuf. 209
- October 21,
Fort Pitt. Order to supply a party of Six Nation Indians with powder, to serve them on their way home. 212
- November 10,
Fort Pitt. Warrant by Bouquet to James McGill, authorizing him to take up deserters. 213
- November 25,
Fort Bedford. The same to Capt. Ecuyer. His letter of the 22nd, enclosing McKee's. Received. (See A. 18-2, pp. 505, 507). The plot of the Indians will vanish into smoke, but will be a warning to be vigilant. Croghan, who is now setting out, will inform him of what is necessary to be said to the Indians. Has every confidence that the fort (Pitt) will be safe under his care. Basset will assist in repairing the fort, should there be any danger. He is to keep a Journal. (Part of the letter illegible from damp). 215

1762.
November —, Fort Bedford, Bouquet to Capt. Ecuyer. Almost illegible from damp. Relating to the pay of Captain Cochrane's company and of five companies of Pennsylvanians, &c. Page 217
- December 20, Letter of introduction by Bouquet to Capt. Etherington. The name of the officer introduced is not given. 219
- December 28, New York. Bouquet to Capt. Ecuyer. Sends dispatches of Amherst with recruiting instructions to Lieut. Hutchins, who is to proceed at once on this duty, &c. Deserters to be kept prisoners. 220
- No date. The same to Carran, Lisbon (in French). That he had received his letter of the 5th July, but it was too late to assist him in getting a commission, &c. 192
1863.
January 3, New York. The same to Lieut. Blane. Sale of flour at Fort Ligonier ordered; how to be sold and accounted for. 222
- January 22, New York. A similar order to Capt. Ourry at Fort Bedford. 222
- January 27, New York. The same to Capt. Ecuyer, sent in charge of the Earl of Stirling. Order to publish the cessation of arms between His Majesty and the Most Christian King and the Catholic King. Word to be sent to Detroit and Sandusky. 224
- January 27, New York. The same to Capt. Schlosser (in French). Can make no use of his resignation, dated 24th April, 1763, till that date, and Carre's friends are trying to get leave to purchase Claus' company. Has by his delay lost an opportunity which may not return; however, he will try to get another purchaser. 225
- January 27, New York. The same to Lt.-Gen. Abercromby. Has received his letter, sent by Lieut. Leslie, from Michillimakinak. Owing to the distance, the season does not admit of Leslie being relieved till spring, &c. 227
- February 18, Philadelphia. The same to Ecuyer. Sends back his return for November, being erroneous; cautions him against signing anything on the report of others. Sends public orders and instructions. Desires him to forward three elephant's teeth and skins. 228
- March 1, Philadelphia. Warrant appointing John Burent to succeed John Clarke as forage master at Fort Pitt. The warrant appointing Clarke, signed by Stanwix, 3rd March, 1760, is prefixed (p. 231). 232
- March 8, New York. Circular by Bouquet to officers at Fort Pitt and on the communication with that post, that parties of Six Nations under Sir William Johnson, when calling at the posts, are to be well received and supplied with provisions. 233
- April 6, Philadelphia. Certificate of the payment to Indians of provisions supplied to Major Rogers at the beginning of 1761 and paid for on the 23rd of May of that year. 234
- April 16, Annapolis. Bouquet to Amherst (?). That the public orders given at New York shall be made known to the troops in the department of Fort Pitt as the most glorious monument of their services. Thanks for dispensing with his joining the battalion till further orders. 235
- June 14, Philadelphia. The same to Capt. Ourry. Two companies of light infantry of the 42nd and 77th ordered to march this way, under Major Campbell; they shall be employed in forwarding a convoy up. Shelter can be given to the people flocking to him, but it is impossible to feed them; wishes he could reduce the garrison to 30 men, which is sufficient for the post. Public buildings outside the fort might be appropriated for shelter; the families might come into the fort when necessary. His measures approved of; he shall make the people here sensible of the service he (Ourry) has rendered in keeping the frontier people together till they have got over their panic. The schemes of the Indians are so stupid that he cannot doubt they will soon be reduced. Hopes he has retained all the Indians taken. Powder to be sent to Fort Cumberland, and meantime Livingston must get all the help he can from the settle-

- 1763.
- ments. Sheep to be saved for the upper posts. No house near the fort to be set on fire till it is absolutely necessary. Page 237
- June 14, Philadelphia. Bouquet to George Croghan. Is anxious to know the cause of the hidden insurrection; supposes the western Indians have been instigated by the Senecas. Sir William Johnson will inform him if the Six Nations are concerned. He is to proceed to Fort Pitt to ascertain the real causes of the war. Quacks are busy blaming the settlements at the Yioghiogheny as the cause, but that is a falsity. Reinforcements for Fort Augusta and the posts. Is astonished the Indians did not surprise the posts instead of giving the alarm. Is too much in the dark to do anything but secure the forts. 240
- June 28, Carlisle (?). The same to Thomas Forrester, J. P. for Lancaster County. To warn the people living on the Susquehanna of the consequences of selling ammunition to the Indians under present circumstances, and desiring him to send a list of the guilty persons. 242
- June 29, Carlisle. Memorandum by Bouquet of orders respecting the providing of wag-gons and pack horses for the service of the troops under his command, proceeding to the westward. 243
- June 29, Carlisle. Bouquet to Lieut. Blane. Introducing Lieut. Campbell, sent with another officer and party to reinforce Ligonier. He is to send down the pack horse men and any others he can depend on. The post to be defended to the last extremity; the steps he is taking to clear the road of Indians, &c. 246
- June 29, Carlisle. The orders to Lieut. Campbell of same date, with number of his men, &c., and how he is to know the scouts. 247
- June 29, Carlisle. Order by Bouquet to Robert Callender to raise pack horses. 249
- June 29, Carlisle. Private instructions by Bouquet to Matthias Slough and Simons, authorizing a higher price to be paid for transport than that fixed, should it be absolutely necessary. 251
- June 29, Carlisle. Their public orders of same date follow. 252
- June 29, Carlisle. Letter to the magistrates, asking their assistance to procure wag-gons. 254
- July 2, Carlisle. Bouquet to Slough and Simons. Consents to take the waggons by the day, the magistrates to fix the rate. Cannot fix the day to leave till he knows when the flour shall be delivered. 258
- July 4, Lancaster. Edward Shippen to Bouquet. The magistrates may be depended on to exert themselves to obtain waggons. How two young soldiers arrested and in prison may be released. 260
- July 4, Carlisle. Agreement with John McCulloch to receive from him 21 to 49 horse loads of flour at Fort Cumberland, where he is to load his horses with musket balls for Fort Bedford. 261
- July 4, Carlisle. Bouquet to the Governor. Andrew Montour reports that when he left Sir William Johnson nothing was known there of the insurrection. His Indian family and other Indians ask to be allowed to come to the settle-ment during the war. Suggests the issue of a proclamation to stop the sale of powder and lead to the Indians. 261
- July 4, Carlisle. The same to Capt. Ecuyer (in French). His indignation at Christie's infamous capitulation of the fort to the Indians, who never keep their word, and have obtained a post of the greatest importance. Can say nothing of Venango till he knows the facts. Price shall be tried; re-marks on the case. The reception given to the Indians at his post and Ligonier is greatly approved. Remarks on the tricks of the Delawares. To be economical with the provisions and powder, in case of accidents; he is to urge on his people a reduction in rations. He (Bouquet) is coming with force enough to overcome all opposition, but the loss of Presqu'Isle has made a great change in the plans; will send notice when

1763.

the army may join him, so that all useless mouths may be ready to leave. Burent was wrong to refuse what was offered him, &c. Advice as to defending the post; not to fire a cannon shot without necessity; musketry is less expensive. The consumption of food is too great, and provision must be made against inundation and fire. Page 263

July 23,
Sideling Hill.

Bouquet to Capt. Stewart, 42nd. Instructions for his proceedings as escort for a convoy to Jusset's Narrows, seven miles this side of Bedford, where he is to remain till he (Bouquet) joins. 26

July —,
Fort Pitt.

The same to Count Bentinck, Seigneur de Rhoar, &c. (in French). A strong recommendation in favour of Lieut. Bentinck, who is desirous to purchase a company. 28

LETTERS TO VARIOUS PERSONS.

1760-1764.

VOL. II, PART II.

A 23-2.

B. M. 21653.

1762.
October 5,
Fort Pitt.

Bouquet to William Allen. Respecting the settlement of Baynton and Wharton's claim. Page 341

(Letter to Baynton and Wharton of the same date and on the same subject. A 23-1, page 207).

1763.
July 5,
Carlisle.

Will of Bouquet. 268

July 10,
Lancaster.

Slough and Simon to Bouquet. All the waggons ordered and a few more are ready; they will be in town to-morrow to be appraised and loaded, and may be expected at Carlisle on Wednesday or Thursday, to which place they are themselves coming. 272

July 19,
Fort Loudoun.

Warrant appointing Henry Procter superintendent of pack horses. 273

July 19,
Fort Loudoun.

Bouquet to Plumsted and Franks. The horses and waggons not equal to the loads nor to the roads. Cannot yet tell them what quantity of provisions may be wanted; too few sheep sent. The excessive heat ruins men, horses and cattle. People not so much afraid here as at Carlisle, and better prepared. Sends intelligence. Some powder at Chambers' and here. 275

July 21,
Fort Lyttleton.

The same to John McDowell. The sick soldiers arrived. Has discharged the drivers and horses as agreed. To tell the people living near Loudoun, who refused to help the sick soldiers at a time when they themselves were in want of protection from those very troops they have so inhumanly used, that if they want assistance they shall be the last of His Majesty's subjects to receive it, as they have made themselves unworthy of any favours by acting more like savages than Christians. 277

July 26,
Bedford.

The same to Ecuyer. Letter sent by John Hudson, a Cayuga Indian. Arrived here yesterday with his division; the other division will join shortly. The General will find business at home for the nations which have struck; hopes soon to punish the guilty. The whole garrison of Venango has been butchered; the fate of Presqu'Isle not known. Not to fire cannon unless the Indians approach near enough to make grape shot effectual; otherwise it only keeps them out of the reach of musketry. Sir William Johnson sending Indian scouts; by what signal they are to be known. Pennsylvania has raised 700 men. The Six Nations, the Senecas excepted, are firm in their friendship. 279

- 1763
August 5.
Camp Edge-
Hill. Bouquet to Amherst. Had arrived on the 2nd at Ligonier; could get no intelligence of the enemy. Attack to-day on the advance guard. The battle described with loss on both sides; list of casualties. Sends this report, that measures may be taken by the Province for its own safety and the relief of Fort Pitt. His critical situation. Page 282-285
- August 6.
Bushy Run. The same to the same. Detailed account of the successful battle at Bushy Run. 288
- August 7.
Instructions for the reduction of the 42nd Regiment to the new establishment. 293
- August 12.
Fort Pitt. Bouquet to Major Campbell. He is to take the troops encamped on the glacis (enumerated) and march after dark to Ligonier. He is to take women, children and useless people under escort and forward them from Ligonier to Bedford, the escort from Ligonier to be under Capt. Basset. He is to pack all the flour, and all that can be taken by horses, such as powder, lead, &c., is to be taken from the waggons. Minute instructions are given for guidance at the fort, the repairs of roads, &c. 296
- August 26.
Fort Pitt. The same to the same. Instructions on his march to Bedford; the arrangements he is to make with Blane, who is to be left in command at Ligonier, &c. 300
- August 26.
Fort Pitt. The same to Henry Prather. Instructions respecting the pack horses under his care, which are to proceed to Fort Bedford under the escort commanded by Major Campbell. 303
- August 28.
Fort Pitt. The same to the officer commanding at Presqu'Isle. Reports that on the march to relieve this post he had defeated the Delawares, &c. (see pp. 282, 288). Had been unable to send troops to Presqu'Isle; asks for returns of the number there and of the steps taken to secure the post. To report how the Indians took the former blockhouse, &c., &c. 305
- September 7.
Fort Pitt. The same to Major Campbell. The Indians sent to Presqu'Isle had returned from about half way and reported that there were no English there: that the Chippewas had taken post there on their way to Detroit to attack parties going to the relief of that post; that they had mounted the swivels to be taken to Detroit, where the Indians numbered 4,000 men of six different nations: that 400 men sent to burn an Ottawa village had been defeated. The savages watching the cattle guard at Fort Pitt. Is informed that 800 have gone to the carrying place from Niagara to Lake Erie: the army there should give them a good reception. Fears the communication will be infested till troops are sent to drive the Indians off, &c. 307
- September 11
and 30,
Fort Pitt. The same to Plumsted and Franks. Respecting the supply of provisions, &c. 309 311
- September 15.
Fort Pitt. The same to Major Campbell. Was surprised at the expedition of his march, and that he had sent provisions so soon to Ligonier. Promotions and regimental changes, &c. 317
- September 15,
Fort Pitt. The same to Capt. Robertson. Thanks for his having taken the command at Ligonier. Parties of Indians are round, but they keep quiet. Arrangements for the reduction of his (Robertson's) regiment. 324
- September 21,
Fort Pitt. The same to Major Gladwin. Expresses his agreeable feeling that he (Gladwin) is to join the corps, but does not suppose he will be left longer than till he gets the new posts established, &c. There have been no expresses from below for three months, but what news there is is good. The reduction of the Havana, &c. 325
- September 23,
Fort Pitt. The same to W. Murray, clerk of the stores. Answer to his complaints. 327
- September 29,
Fort Pitt. The same to Major Campbell. Express at last arrived. Neither reinforcements nor orders will be received from below; the whole con-

1763.

voy to be brought up at once. It would give him pleasure if Stephen could prevail on a sufficient number of his militia to accompany him (Campbell). The General has suspended the order for the stoppage for provisions. All quiet. How the garrison at Ligonier is to be composed, &c., &c. Page 319

An extract from this letter is at 333

September 29,
Fort Pitt.

Bouquet to Major Gladwin. Sends news brought by the returned express (see p. 307). Had too few troops to spare the 42nd, and the last express brings letters that there will be no reinforcements. Expects in ten days the last convoy with a strong escort; shall then send the 42nd to Presqu'Isle to proceed to Detroit. The detachment of the 60th to relieve Wilkins at Presqu'Isle, so that he may come to Fort Pitt before winter. Regrets the death of Capt. Dalyell and hopes that he (Gladwin) has by this time obtained some satisfaction for the infamous barbarities of the Indians. Those here have not appeared since their rout in August, having retired towards Muskingum and Scioto. The good service rendered by Andrew, the Indian; wishes that he and some trusty Wyandots would come here to be employed as expresses. The troops are in possession of the forts on the Ohio and Mississippi, which might convince the wild brutes that there is no hope from the French. 329

September 30,
Fort Pitt.

The same to Major Livingston. That none of the inhabitants taking shelter in Fort Cumberland are to be victualled at the King's expense but those specified. 335

September 30,
Fort Pitt.

The same to Capt. L. Philips. That he is to proceed with a detachment of the 60th to Philadelphia and to follow certain instructions respecting pay, clothing, &c. 336

September 30,
Fort Pitt.

The same to Col. Stephen. Knowing his zeal, he is not surprised at his intention to procure volunteers to follow up the late success against the Indians for the relief of this post, and to make a new attempt to make the villains submit; will do all he can to assist him in its execution; only men are needed now to strike a decisive blow, but no time should be lost; about 700 men will be sufficient to burn and destroy all the Indian towns between this post, the lake and the Wabash, and to drive the brutes beyond the Mississippi or the lakes; he is well informed of the roads, &c. Does not know if the post at Red Stone is destroyed, but it might be built again if his Province would garrison it. Could some volunteers from Maryland not be added to those from Virginia; thinks Shelby and other good woodsmen would cheerfully go with him. 338

September 30,
Fort Pitt.

The same to the Rev. Mr. Peters. Thanks for his congratulations and for the generous proceedings of his friends on the occasion of the success it had pleased God to give. Indeed there was something providential in all that affair; he never found his head so clear as on that day, nor such ready compliance with orders, firmness and perseverance on the part of the troops, whose conduct has not been done justice to. His sorrow at the death of his good old friend Dalyell. (The date, 1764, is endorsed, but that of 1763, at the head of the letter, is no doubt correct). 451

October 23,
Fort Pitt.

The same to Col. Stephen. Would be sorry should the plan proposed (p. 338) not take place this fall, as it is the only season for such operations, the spring being usually wet, the creeks full &c. No service could be more useful, but the General cannot undertake to do more than supply the volunteers with provisions, so that it remains with the Assembly to raise and pay the men; no less than 1,000 good men should be provided. Had intended to attack the upper Delaware towns, but a sufficient number of volunteers could not be prevailed on to join, and as he could not employ regular troops alone, who are unacquainted with the woods, and require woodsmen to reconnoitre, he was forced to abandon this design;

1763

he shall, however, keep the troops as long as possible, till he can learn the resolution of the Assembly, &c. Respecting provisions, transport, &c.

www.libtool.com.cn

Page 342

November 26.
Fort Pitt.

Bouquet to Beal, commissary. Remarks, &c., on the issue of rations. 346

October 26.
Fort Pitt.

The same to Plumsted and Franks. Respecting the supply and issue of provisions, with remarks, instructions, &c. By experiment the loss on the issues of flour for a month was only one quarter per cent., instead of eight and a-half, as charged. 348

November 7.
Fort Pitt.

The same to Capt. Prevost in French. Is pleased he had selected one out of three of the companies intended for Carolina. Capt. Cochrane has been appointed in this Province, and he Bouquet proposes to make him Prevost's paymaster; Philips will transfer all his orders, &c. The confusion consequent on the failure of the detachments at Detroit and Niagara to join, so as to have the battalion reduced, leaving a double number of officers and 13 instead of 9 companies. For reasons given, is afraid he will have an indifferent battalion. Congratulates him on his marriage, &c. 354

November 26.
Fort Pitt.

Substance of letters written on this date: 1. To Capt. Stewart, approving of his going back, waggons to be unloaded at Bedford, &c. Returns of clothing sent.

2. To Capt. Ourry. To unload the waggons and send stores on by horses. 356

December 2.
Fort Pitt.

Bouquet to Col. Armstrong and the magistrates of Carlisle. Requisition for quarters for three companies of the Royal Highland Regiment. 357

December 2.
Fort Pitt.

The same to Capt. Murray. Should Lieuts. Guy and Watson make a sufficient apology to Capt. Stewart their offence will be passed over and they released, but if they refuse they are to be kept in arrest until a general courtmartial can be held. 358

Remarks by Bouquet on Amherst's orders for the stoppage of provisions in the southern district, with extracts from Amherst's letters. 359

1764.
January 19.
Fort Pitt.

Sketch of instructions left with Capt. Grant at Fort Pitt, as to his dealings with the Indians, &c. 362

February 5.
Fort Bedford.

Bouquet to Capt. Grant. Instructions to forward as fast as possible the stores arrived by convoy, for which he has been waiting. 366

February 6.
Bedford.

The same to Lieuts. Guy and Watson. Orders them to remove to Carlisle to be tried by courtmartial. 368

February 21.

The same to Ecuyer (in French). Censuring his conduct in leaving the charge of a convoy, on pretext of illness, which appears to have been slight. 369

March 5.
New York.

The same to Adam Hoops. Acknowledges letter and sends friendly messages. The disturbances in Philadelphia; is afraid if concessions are not made to the frontier counties the affair will have further consequences. 371

March 8.
New York.

The same to Plumsted and Franks. How accounts are to be settled. Should the Royal Americans move, transport is to be found for their baggage. 373

March 8.
New York.

The same to Callender. The report from Fort Pitt of renewed hostilities makes no change in his plans, except that the escort must be reinforced. Should the two companies of provincials not be lent, three companies of the Royal Americans are to march to Fort Loudoun. Arrangements for the march, &c. The first party of the Six Nations sent by Sir W. Johnson has brought in 41 Delaware prisoners. 373

March 8.
New York.

Instructions to the provincial officer commanding the escort for the convoy from Fort Loudoun to Fort Pitt. 375

1764.
 March 8,
 New York. Bouquet to Capt. Schlosser. Instructions to march with three companies of the Royal Americans to Carlisle, thence to Fort Loudoun, whence he is to escort a convoy to Fort Bedford, where he is to be joined by another detachment and proceed to Fort Pitt. Page 377
- March 31,
 New York. The same to Capt. Prevost (in French). That the General has given him leave to come to New York, Cochrane to relieve him at Charles Town, but he need not wait Cochrane's arrival if he has an opportunity to obtain a passage. How he is to draw bills. Sends four forms of discharge to be filled up. The conditions respecting the paymastership reasonable, &c., &c. 381
- April 1,
 New York. The same to John Calcraft, agent for the Royal American Regiment, London. Has received form of a receipt for clothing delivered. It is impossible to get the certificates, owing to the dispersed state of the regiment; sends one by himself, which he hopes may pass, &c. 380
- April 2,
 New York. The same to Amherst. Applies on behalf of his friend Col. Haldimand, that he be appointed Lieut. Governor of Three Rivers. 383
- April 27,
 Carlisle. Draught of a letter to Lord Halifax on the same subject follows. 384
- April 27,
 Carlisle. Bouquet's remarks on the memorial of John Metcalfe to General Gage, for payment of losses occasioned by the troops to his crops and for the burning of his house and buildings near Fort Pitt. 386
- April 27,
 Carlisle. Bouquet to Capt David Hay. To take the powder and artillery stores, axes, &c., to Fort Loudoun under the the escort of the three companies of Royal Americans ordered to march from Philadelphia on the 5th of May, with instructions as to their disposal and with respect to provisions, &c. 389
- April 27,
 Carlisle. The same to Capt. Schlosser. Instructions as to the march of the three companies of the 60th Regiment, and what arrangements he is to make for the care of the Indians on the island, for provisions, clothing, &c. 391
- April 27,
 Carlisle. The same to Capt. Barnsley. Desires him to send copies of all orders respecting provisions, to answer charges of irregularities respecting the issues of provisions. List of sums for rations to be stopped from officers named; larger sums will have to be stopped from subalterns and women, unless it can be shown that the contractors issued rations contrary to orders. Three companies of the 60th march to Philadelphia. Is uneasy about Carre. Respecting the return of old arms, tents, &c. 394
- April 28.
 Memoranda by Bouquet of various matters to be attended to. 397
- May 3,
 Carlisle. Bouquet to Capt. Grant. Has received returns, also the depositions of the boy and of Gershom Hicks, the latter well known to be an atrocious villain; measures to be taken to prevent the possibility of his escape. The Delawares will alter their insolent behaviour when they know the Senecas have submitted. Bradstreet is moving towards Niagara with an army of 3,000 men, 300 Canadians and a large body of Six Nation Indians, to chastise these murderers; expects shortly to move on the Ohio to humble them. His (Grant's) three companies and three of the Royal Americans marching to Fort Loudoun; waits only the decision of the Assembly to proceed on the proposed expedition. All returns to be sent to him (Bouquet); he is pleased with the improvements made on the fortifications and garden. Has taken steps to stop the scandalous impositions in respect to the pork fattened at Bedford; the flour will be closely inspected. Shall send cattle as soon as an escort can be provided, and hopes the men will get rid of scurvy by the use of greens from the woods and gardens. Regulations for the internal economy of the regiments, the care of stores, liquor, &c. 400
- May 3,
 Carlisle. The same to Capt. Ralph Phillips. That he must return or pay for a horse employed to carry his baggage to Carlisle last campaign. 405
- May 3,
 Carlisle. The same to Capt. Stewart. It is lucky the rascal Hicks confessed his treachery, but as there may be some truth in what he said, the ut-

1764.

most vigilance must be used to prevent surprise. Bradstreet's appearance with an army will recall the attention of the western Indians to their own homes. Storekeepers to be struck off; command money to be allowed. If the Assembly of Pennsylvania will do nothing he will station a number of Indians at each post for expresses. Recommends him to assist the inhabitants to plough and sow near the fort by sending them seed, &c. Page 406

May 17,
Philadelphia.

Bouquet to Col. Robertson. Thanks him for recovering certain money, of which he had given up expectation. Respecting the sale of a horse, &c., &c. 409

May 22,
Philadelphia.

The same to Plumsted and Franks. In order to prevent the delay in regard to provisions, desires one of the partners to reside for the time in Cumberland County or to appoint an agent with power to execute all orders received from him (Bouquet), without waiting for directions from them. 411

June 4,
Philadelphia.

The same to Armstrong. To agree beforehand with extraordinary expresses from Carlisle. The heavy blow lately struck by the savages in Virginia and this province and their appearance at the same time at Fort Pitt, Ligonier, Bedford, and all the communication, show that they are very numerous and determined to carry on the war with all their might. The utmost vigour must be used on the other side, and the commissioners are preparing with the greatest diligence to equip the troops. He shall collect them to march to the Ohio to secure the distressed frontier more effectually than by defending them on the spot. Hopes men will be found to complete the 1,300 men voted by the Province. 421

June 4,
Philadelphia.

The same to the Governor and Commissioners of Pennsylvania. Requesting them to complete, arm and clothe the thousand men granted by the provincial government, and to supply one troop of light horse, as was done in the campaign of 1758. Submits for consideration the use that might be made of dogs for tracking Indians in the woods, which cannot be done by foot soldiers; their audacious attacks on the troops and settlements were to be ascribed to the certainty they have of evading pursuit; a few instances of them being caught and worried by dogs would do more to deter them from war than all the troops that could be raised; how these could be obtained and used. The troops when raised to assemble at Fort Loudoun, from which time they would receive provisions. (A note says: All articles mentioned in the above letter have been agreed to by the Governor and commissioners). 412

June 6,
Philadelphia.

The same to Capt. Robert Callender. That a new contract has been made for provisions; Plumsted is no longer agent, but Franks continues with Inglis and his son-in-law, Barclay. Orders to provide cattle, with directions about their monthly supply and payment. 415

June 6,
Philadelphia.

The same to Capt. Murray. Returns received of the 42nd Regiment but not of the three companies of the Royal Americans. To get ball brought from Bedford. How letters are to be sent. The Pennsylvania troops to be sent to Fort Loudoun, so soon as their clothing can be got ready. 418

June 6,
Philadelphia.

The same to Capt. D. Hay. Desires him to send returns of the arms sent by the King to the government of Pennsylvania for the use of the provincial troops, and a certificate of the ordnance at Fort Pitt belonging to the Province. Thinks half a dozen pateraroes would be of service in the small posts. He is to provide powder and flints for 2,000 men for this campaign. To be in readiness to march about the 20th 419

June 7,
Philadelphia.

Certificate by Bouquet, that James Field has re-enlisted for the campaign, to be discharged when it is over. 420

June 11,
Philadelphia.

Bouquet to Lieut. Watson. That Capt. Stewart has consented to accept the apology offered at Bedford; sends it signed by Lieut. Guy.

- 1764.
- So soon as he also signs it he shall be released and at liberty to proceed to Great Britain. Page 423
- June 16, Philadelphia. Bouquet's orders to the contractor's agents at Philadelphia for victualing the troops in that department. 424
- Order, dated the 23rd June, to the same, to supply the garrisons for 1765. 427
- June 24, Philadelphia. Bouquet to Capt. Gordon. (See A. 20, p. 54). His accounts settled with the late paymaster and balance paid to his credit; confused accounts received of certain other balances and arrears to come to the officers. Barnsley negotiating for the sale of his commission. Introduces Lieut. Blane. Changes in the regiment. Everybody tired of the disgusting work of Indian fighting. The Province having voted 1,000 men, is now picking up every vagabond on the street to go on service, without being put in shape, and as he cannot get the brave men in the forts, he must venture with this strange mob; it will require another miracle to succeed with such tools. Maryland, as usual, will do nothing. Virginia will defend herself, but the people are abandoning the frontier, unless he can take the bloody savages off their back. Is sorry that Monckton has had to defend himself from a rascal, but it will turn out to the confusion of his jealous enemies. Recommends Mr. Relfe to command the three companies on the frontiers to the east of the Susquehanna. 429
- August 8, General order. The Pennsylvanians to be in readiness to move. All violence or damage to persons or property forbidden; offenders shall be punished with the utmost severity. Returns to be sent in of powder and flints required. 433
- August 11, Carlisle. Advertisement by Bouquet for volunteers. 434
- August 14, Fort Loudoun. Bouquet to Capt. Schlosser. Instructions for his march escorting a brigade of waggons to Bedford, where he is to take command. 436
- Another order of the same date, with instructions respecting the course to be taken with the waggons, which are paid for carriage by weight. 438
- August 24, Fort Loudoun. Bouquet to John Harris. Had not placed much dependence on the young men of his county, but did not think they would have been so backward to engage in the cause of their country, but let others fight the wild Indians; they will do well hereafter not to boast of what they will do and have not done. It will be well to have a list of those joining the army in various employments, so that those in the service may not be confounded with those who remained at home. 440
- August 31, Fort Loudoun. The same to Gage. Sends Lieut. Potts with Bradstreet's dispatches from Fort Pitt. Expects to be joined by 400 volunteers from Virginia and elsewhere. The commissioners of Pennsylvania have authorised him to complete their contingent at their own expense. The force even at Pittsburgh will convince the savages that they can be effectually chastised, and compel them to submit to any alterations in the terms so injudiciously granted them. Governor Fauquier hopes that Stephen's villainous conduct has been misrepresented. 441
- September 3, Bedford. The same to Capt. Ritzhaupt, commanding the bullock guard, ordering that one half of the guard round the bullocks day and night, to assist the drivers, &c. 443
- September 12, Ligonier. The same to Bradstreet. McKee has been sent to ascertain if any of the prisoners delivered by the Shawanese and Delawares are from Pennsylvania; he is to return after he has executed his (Bradstreet's) orders. 444
- September 14. Memorandum for the officers as to the lists to be made, &c., the arrangement of the troops in case of attack in camp, a diagram of the position of the troops in this case being given. 445

1764. A detailed order for the disposition of the troops on the march, dated the 15th. Disposition in case of an attack on the march, with a diagram. Page 447
- September 21, 22. List of the men's names that shot best at the target belonging to the 1st and 2nd battalions of the Pennsylvanian Regiment, with receipt for the premiums. The winners of the prizes were Frederick Pifter, Capt. Irwin's Company, 1st; James Duff, Sergeant, Capt. Lindsey's Co., 2nd; Isaack Irwin, Capt. Brady's Co., 3rd; James Herred, Capt. Piper's Co., 4th. 450
- October 2. Orders by Bouquet to the troops in anticipation of moving towards the Indian towns to attack them. 453
- November 5, Muskingum. Bouquet to Stanwix. Had received his kind letter on the march. The Delawares already reduced, and have sent in their prisoners. Is going to march against the Shawanese unless they submit. Hopes soon to see the burdensome war ended, when his career must cease, as after all his services there is no hope of obtaining naturalization, and he is confined to this regiment, not being even allowed to sell out; a sad prospect after 27 years in this service. Shall take advantage next year of the leave of absence and make a last effort in London to be naturalized. Respecting a chaplain to take the place of Jackson. 456
- November 15, Muskingum. The same to Gage. (Only a part of the letter has been preserved.) Reporting the settlement with the Indians; that he would march the troops back to Fort Pitt, dismiss the provincials and volunteers and fix the regulars in their winter quarters. Mentions the merits of several officers, and the good service rendered by the volunteers from Virginia. &c. The two brothers Hicks sent for trial. Deserter. Courtmartial. 458
- November 29, Fort Pitt. Marching orders to detachments. 460-461
- November 30, Fort Pitt. Bouquet to Gage. The army returned here on the 28th; the Royal Americans marched yesterday; the volunteers and provincial troops are following. The captives are sent to their provinces. How the different forts (specified) are garrisoned. The Caughnawagas proceed with the deputies of the Delawares to Sir William Johnson. Details respecting Indian hostages, &c. Does not think Gage's plan would have succeeded with the distant Indians, for reasons given; dread of English power is the only motive capable of making a solid impression on their minds. The scheme proposed for overawing them, by a rapid advance on the Mississippi, and Fort Chartres could be reached sooner than a force could be collected to oppose the advance; when that fort is held by a proper force would be the proper time to offer friendship and trade; time must establish it. The obstacles to the expedition from having to wait for orders from home and for provincial troops which are never ready. 463
- December 4, Philadelphia. Geo. Croghan to Alexander McKee. Is pleased to hear that his (McKee's) conduct has been approved of. The change in the management of Indian affairs, by which the agents are independent of any of the officers commanding at the posts. To inform the Indians that he shall be at Fort Pitt to open the trade and transact the affairs of his department with the tribes in that country, and that they are to be ready to bring in peltry on his arrival, till which time they should be cautioned not to deal. He need not tell any officer what instructions he has received, except that the Indians were to be informed of his (Croghan's) coming, and to be prepared for him. 470
- December 7, Fort Pitt. Bouquet to Col. Clayton. To take charge of Gershom Hicks and Levy Hicks, to be taken as prisoners for trial at Carlisle. 469

1764.
December 14, Bouquet to Capt. W. Murray. Order to open the letter sent by George Croghan to McKee, with messages to the Indians, and if it contains such messages, he is not to permit it to be delivered. Page 473
Fort Loudoun.
- December 22, The same to Gage. The measures he recommends with Pontiac are necessary, but owing to the change in the management of Indian affairs, he doubts if it would be proper for him to interfere. Respecting the letter from Croghan to McKee. The officers will be glad to have no further concern with Indian affairs, but it is to be regretted that powers of such importance should be trusted to a man illiterate, impudent and ill-bred, who subverts the purposes of government and begins his functions by a ridiculous display of his own importance and an attempt to destroy the harmony which should subsist between the different branches of the service. The evil effect of hurrying on the trade with the Indians. Croghan's previous conduct. Murder and scalping of an Indian at Pittsburgh by Maryland volunteers, and another of the same gang is in the woods with a similar object. Unless the insolence of the frontier inhabitants is repressed it will be impossible to preserve peace with the Indians; had written to the Governors of Virginia, Maryland and Pennsylvania to publish orders as to the suspension of hostilities. Causes of disorders by the frontier people. 474
- December 26. Memo. of legal points to be used in the suit of Naylor, apparently against Ourry for preventing the illicit sale of liquor. 479
- No date. Daily pay allowed to persons employed in His Majesty's service in the campaign of 1764. 481
- List of reduced officers, sent to Capt. Barnsley. 482
1765.
January 21, Bouquet to Capt. Bentinck (in French). A friendly letter, stating his success in the expeditions; his position after twenty-seven years of service and his intention to come to London. 483
New York.
- January 22, The same to Capt. Gordon. Acknowledges the kind sentiments expressed by Gordon. Will recommend to the General what he (Gordon) desires. 487
New York.
- January 25, The same to Sir William Johnson. Had received his letter of 1st September by the Indians on the 8th December near Fort Ligonier, the others at Philadelphia. Hertel left with the Caughnawagas and the deputies of the Delawares, expecting to be with him (Sir William) by Christmas, but he is afraid the snow has made him remain with the Senecas. Had furnished Croghan with the necessary orders for the posts, but does not expect him to get over the mountains on account of the snow. The flight of the Shawanese hostages arose, no doubt, from fear, but the nation has sent back the prisoners, as agreed on. From losses by war and small-pox, they can do nothing without the Delawares. Is gratified at his (Sir William's) sentiments with regard to the terms of peace and that his equity will establish it on solid foundations; thanks for his approbation. The murder of an Indian by a Maryland volunteer. 489
New York.
- February 15, The same to John Barr. Respecting the sale of his farm at Conego-chague. 493
Philadelphia.
- February 22, The same to Col. Phillips. Suggestions as to the best manner of proceeding to obtain a grant of mineral land. 494
Philadelphia.
- March 4, The same to Col. Reid. The Shawanese have given Capt. Murray the strongest assurance of their readiness to comply with their engagements; they have delivered up prisoners and will send hostages. The deputies of the Delawares are with Sir William Johnson and have disproved the calumnies circulated secretly against him (Bouquet). These slanders have not been able to affect his character. The General is

1765.

April 12,
Philadelphia.May 2,
New York.

No date.

- to appoint him (Reid) to succeed to the command at his (Bouquet's) request, &c., &c. Page 497
- Bouquet to W. Plumsted, with account for hides delivered to his (Plumsted's) tanner. 499
- The same to Lieut. Potts. Regrets he cannot serve him, as from his merit and experience in the service he would willingly have done. 500
- Order to Sergeant Shadow to proceed to Carlisle to meet clothing for Fort Pitt. The conduct to be observed towards the waggoners, &c. 503
- List of officers' stores going to Fort Pitt. 504
- Two fragments of orders in 1760. 501, 502
- Plan of the 42nd Regiment, according to the new establishment. 505
- Jottings respecting subjects to be written about. 506
- Jottings of an answer to be sent by Bouquet to Major Tulleken, respecting recruits, clothing, &c. 507
- Jottings of letters to General Stanwix, dated 10th and 18th January, probably 1761. 509
- Orders for the execution of two deserters, William Anderson, 42nd, and Francis Steedwell, 60th, both privates, dated 29th September—no year. 511
- Letter from Bouquet to the General, respecting the arrest of Col. Stephen, by Sir John (St. Clair ?), who carries the letter and will give his reasons. Rum wanted for the men's health. 513
- Orders respecting the settlement with the Shawanese. 514
- Memoranda by Bouquet on the subjects on which he was to write, copies of the letters in which these were embodied being given at the proper dates. 515
- Heads of a petition to the Commander-in-Chief, by the inhabitants of York and Cumberland Counties, in Pennsylvania, for settlement of their claims for waggons. 521
- The answer follows. 524
- Orders respecting the raising and mustering of militia. 529, 530
- Method of making shot. 531
- Bouquet to Mr. Allen, sending specimen of ore to be tested. 533
- Notes on the cost of flour, oats, corn, &c. 534
- Order to Capt. James Piper, and Lieut. John Fleming, to proceed to Carlisle with the remains of the two companies of light horse. 535
- Order for a detachment to proceed to the relief of Fort Ligonier. 536
- Copy of an advertisement to be issued by General Stanwix, announcing the approaching payment for the services during the last campaign, suggested in a letter from Bouquet, by whom the form of proclamation had been drawn up. The letter containing the proposed proclamation is dated 12th June, 1759, and is a rough draught. 537
- Apparently an address to the Assembly of Pennsylvania, with papers relating to the campaign, and leaving it to the Assembly to relieve him from the obligations he had personally entered into for the public service. 539
- Draught of a letter to Capt. Gordon, written in friendly terms, but complaining that the contingent account had been rejected, and that the officers were compelled to refund money received and spent. 540

MISCELLANEOUS ACCOUNTS AND RETURNS.

1758-1765.

A. 24.

B. M., 21654.

John Charles Viau. Description of Fort L'Assomption and its garrison, stores, &c., and also of the surrounding country. Page 4

1758.

January 30,
Fort Lou-
is.

1758.				
May 31.	Philadelphia.	Governor Denny. Warrant by Governor of Pennsylvania to press waggons, &c.		Page 1
June 3.	Carlisle.	John Billings to Colonel Bouquet's account with him.		2
August 15,	Raystown.	Bouquet. Rates and prices of sutler's goods.		7
August 24.		Royal Americans. Abstract of Col. Bouquet's company.		8
October 24.		do do do do		8
December 24.		do do do do		9
1759.				
February 25,		do do do		9
March 1.		Bouquet. Abstract of warrants in his favour, from 1st June, 1758.		12
April 16.		The same. Accounts from August, 1758, to date.		10
April 24-25.		Royal Americans. Abstract of accounts to these dates.		14
May 3, July 1,	New York.	Colonel Young. Accounts for enlisting Royal Americans, and bills.		16
July 1,	Halifax.	James Leighton to Lieutenant Barnsley. With accounts of Royal American Battalion.		20
July 5.		Assessment of waggons in Lancaster County, Pennsylvania; signed by the justices of the peace.		25
July 19,	Carlisle.	General Stanwix to Captain Callender. Eleven hundred pack horses to be provided.		27
July 22,	Fort Loudoun.	Daniel Clark to General Stanwix. Escorts wanted for convoys.		28
July 25,	Philadelphia.	John Nelson to the same. Will raise cash as fast as possible.		29
No date.		Hughes and Callender. List of the different brigades of horses (pack horses) killed and taken by the enemy.		30
August 1,	Bedford.	Bouquet to Captain Hambright. Instructions for raising drivers for waggons.		33
August 1,	Bedford.	Same to E. Shippen. Authorising him to advance money to Captain Hambright for raising waggons.		34
August 1,	Bedford.	Same to Captain Sinclair. Instructions to buy forage, &c.		35
August 1,	Bedford.	Same to Captain Callender. The wretched state of the horses from sore backs, &c.		37
August 7,	Ligonier.	George Morton to Col. Bouquet. Provisions forwarded. The want of forage; of leather, &c. His difficulties.		39
August 8,	Bedford.	Bouquet to Captain Hambright. Orders to purchase waggons, horses, &c., and to obtain drivers.		38
August 12,	Carlisle.	Adam Hoops to Colonel Bouquet. Movements of pack waggons. Cattle forwarded. His exertions to get provisions forwarded.		41
August 13,	Lancaster.	Edward Shippen to the same. Has received remittance. Successes at Niagara, Tyconderoga and Crown Point. Hopes for favourable news from Wolfe at Quebec.		43
August 15,	Ligonier.	George Morton to the same. Capture of waggon horses by Indians' of train under Captain Slusher (Schlosser). Sixteen more taken from Major Tulleken's convoy. Carpenters wanted to repair waggons.		44
August 17,	Bedford.	Bouquet to Adam Hoops. Necessity for the magistrates at Lancaster to enforce the assessment on waggons. The enemy have burned and abandoned Venango, LeBœuf and Priskisle (Presqu'Isle). Necessity for a magazine at Pittsburgh to keep the Indians in order. Supply of live cattle. If the Province would exert itself this would be the last year of war.		46
August 20,	Bedford.	Daniel Clark to Colonel Bouquet. Asks protection against molestation if he build a house for the clerks.		48

175)			
August 21.	Ligonier.	George Morton to Bouquet. Is using every exertion to get ready waggons, &c., for transport: want of horse shoes, &c. Misconduct of a waggon master; the bad state of his horses in consequence.	Page 49
August 24.	Carlisle.	Daniel Clark to the same. The bad quality of the beef from Virginia. Mr. Hoops able to supply beef from Pennsylvania.	51
August 24.	Carlisle.	Adam Hoops to the same. Want of waggons from Lancaster represented. Return of provisions: difficulties of transport. Wants instructions as to the quantity of live cattle wanted: plenty of good quality to be had.	52
August 25.	Ligonier.	George Morton to the same. Movements of pack waggons. Salt wanted.	54
August 28.	Bedford.	Bouquet to Adam Hoops. Salt for troops engaged in clearing the road and building a post on the Monongahela: to stop bringing in flour, but forage wanted: arrangements for beef, pork and mutton.	56
August 28.	Bedford.	The same to Daniel Clark. Arrangements for provisions for the different posts.	58
August 28.	Ligonier.	George Morton to Colonel Bouquet. Report as to waggons and arrangements.	60
August 28.	Lancaster.	Edward Shippen. Advertisement of forage wanted. (English and German).	61
August 31.	Lancaster.	Captain Hambright to Colonel Bouquet. Has secured waggons; horses and drivers wanted: desires further instructions.	62
September 3.	Carlisle.	Adam Hoops to the same. Report as to the supply of beef, mutton, &c.	67
September 3.	Bedford.	Bouquet to Captain Hambright. Instructions regarding the supply of waggons, horses and drivers, and how they are to be sent.	69
September 4.	Ligonier.	George Morton to Colonel Bouquet. Details of the movements of pack waggons (return at p. 66).	64
September 7.	Bedford.	Bouquet to George Morton. Instructions respecting waggons, &c.	71
September 11.	Bedford.	The same to Adam Hoops. Details of and remarks on the live stock furnished and wanted.	73
September 15.	Carlisle.	Adam Hoops to Col. Bouquet. The garrison at Fort Cumberland will be kept supplied. Remarks on the best way to supply the smaller posts.	75
September 15.	Ligonier.	George Morton to the same. The state of the pack waggons, &c. Asks leave of absence from illness.	76
September 17.	Lancaster.	Edward Shippen to the same. Supply of forage; the amount of Captain Hambright's expenditure for waggons, &c. Expects no news of Wolfe's success till spring. Remarks on military movements.	78
September 19.	Ligonier.	George Morton to the same. Health improving. Reports of the waggons, their movements, &c.; money wanted.	80
September 20.	Carlisle.	Daniel Clark to the same. Complaints of loading forage by guess not true. Plenty of cattle from Pennsylvania.	82
September 21.	Bedford.	Bouquet to John Byers, with a bill for £1,500 sterling.	84
September 21.	Bedford.	Same to John Nelson. With order from Mr. Barrow for £4,500 sterling.	85
September 21.	Winchester.	Richard Graham to Adam Hoops. Asking for payment for beeves ordered by Col. Bouquet.	86
September 22.	Bedford.	Bouquet to Adam Hoops. Cattle not coming forward. The arrangements necessary for a winter supply for the different posts.	88
September 25.	Ligonier.	George Morton to Colonel Bouquet. Movements of waggons, drivers, &c.	89
September 27.	Philadelphia.	John Nelson to the same. Will attend to the bills drawn on him.	90

1759.			
September 27,	George Morton to Lieutenant Ourry.	Movements of pack wag-	
Ligonier.	gons.		Page 91
September 28,	Edward Shippen to Colonel Bouquet.	Acknowledging receipt of	
Lancaster.	bills for £2000 sterling.		92
September 30,	Adam Hoops to Richard Graham.	Will settle for the cattle ordered	
Carlisle.	by Colonel Bouquet.		93
October 1,	The same to Colonel Bouquet.	That the full quantity of live stock	
Carlisle.	was sent off. Returns of provisions in store, &c.		94
October 2,	George Morton to the same.	Forage received. Report as to pack	
Ligonier.	horses; no further use for carpenters.		96
October 6,	Edward Shippen to the same.	Bills for money received. The loss of	
Lancaster.	drivers by Captain Hambright.		98
October 7,	Adam Hoops to the same.	Respecting supplies of flour. The arrange-	
Carlisle.	ments about sheep and cattle.		99
October 11,	Daniel Clark to the same.	Resigning his charge of the forage store,	
Carlisle.	and sending an account of his balances.		102
October 13,	Adam Hoops to the same.	With account of cattle sent off and ready,	
Carlisle.	and complaints of the clerks at the posts not sending regular returns.		103
October, 17	Conrad Weiser to the same.	Acknowledging receipt of money.	
Reading.	Thanks for letter expressing satisfaction for services. Preparing a	brigade of waggons to send off forage.	105
October 18,	Adam Hoops to the same.	Account of flour sent off. Supplies to	
Carlisle.	smaller posts.		107
October 18,	George Morton to the same.	Account of waggons sent off with flour,	
Ligonier.	&c.		109
October 23,	The same to the same.	Money received. Account of forage. Move-	
Ligonier.	ments of waggons.		110
October 25,	Adam Hoops to the same.	Victory by Prussia over Russia. De-	
Carlisle.	struction of the Toulon fleet by Boscawen.		112
October 27,	George Morton to the same.	The scarcity of forage. Flour arrived	
Ligonier.	and sent off. Horses stolen; supposed to be by deserters.		113
October 29,	Bouquet to Adam Hoops.	Quantities of flour, cattle, &c., for win-	
Pittsburg.	ter stock.		115
November 6,	George Morton to Colonel Bouquet.	Movements of brigades of	
Ligonier.	waggons. Denies that forage is wasted at Ligonier.		120
November 7,	Captain Callender to the same.	Returns of horses sent off, &c.	
Bedford.			122
November 9,	Adam Hoops to the same.	Account of flour, cattle, &c., and prospect	
Carlisle.	of supplies.		116
November 9,	George Morton to the same.	Difficulties of transport. Receipts of	
Ligonier.	oats, &c. Better arrangements needed.		118
November 11,	Bouquet to George Morton.	Horses without passes to be stopped	
Pittsburg.	at the posts. Returns of forage. Instructions as to waggons and other	affairs.	123
November 19,	Captain Callender to Colonel Bouquet.	Has bought fresh horses and	
Cumberland.	wants a remittance, &c.		126
November 27,	Meal inspection. Walker's contract; not fit for use.		128
Cumberland.	Ramsay's contract; sound and good.		129
November 29,	Lieutenant Blyth.	Account of expenses and disbursements on behalf	
Cumberland.	of the Crown.		130
November 30,	John Read to Colonel Bouquet.	Return of provisions sent forward	
Bedford.	from Fort Bedford to different posts.		140
December 3,	The same to the same.	Returns of provisions sent to Ligonier and	
Bedford.	Pittsburg, and to other posts. The quality of flour offered by contrac-	tors. Statement of provisions issued and checked.	132
December 17,	Thomas Hutchins.	Return of provisions issued.	135
Pittsburg.			

1759.	Lieutenant Blyth to Colonel Bouquet. Return of ordnance stores in garrison.	Page 136
December 22, Cumberland.	Richard Graham to the same. Respecting salt, &c.. forwarded.	Explanations as to horses, &c. 137
December 25, Ligonier.	George Morton to the same. Arrangements for sending flour; the settlement of his accounts, &c.	138
No date.	General Stanwix. Form of advertisement for pack waggons.	141
1760.	Provisions. Prices to be paid at Fort Burd.	269
January 17, Carlisle.	Adam Hoops to Colonel Bouquet. Sending letters and returns.	145
January 18, Bedford.	John Read to the same. Respecting the supply of meat and vegetables, with return (p. 147).	146
January 21, Philadelphia.	John Nelson to the same. Account current.	143
February 17, Philadelphia.	Thomas Barrow to the same. Respecting accounts. Congress at the Hague. Defeat of the French fleet (account page 149).	148
February 24, Carlisle.	Adam Hoops to the same. The cattle sent up will last the garrison at Pittsburg about five weeks. No more to be purchased. Returns from the smaller posts.	150
February 25, Philadelphia.	William Plumsted to the same. The appointment of himself and David Franks as agents for the contractors.	152
March.	Thomas Walker. His public account.	153
March 3, Fort Pitt.	General Stanwix to John Clark. Warrant to John Clark as forage master.	185
April.	Callender and Hughes. General account of pack horse carriage.	154
April 19, Lancaster.	Cap. Schlosser to Colonel Bouquet (in French). Clothing for recruits. Waggon engaged. Recruits brought up. Complains of the liability of the captains to pay for their clothing. The men looking fairly well.	155
April 27, Lancaster.	George Etherington to the same, with baggage accounts and balance.	158
May 1, Philadelphia.	Bouquet to Hughes and Callender. Certificate for contracts for them with Gen. Stanwix.	159
May 8.	Same. His contingent account.	165
May 20, Philadelphia.	Same. Account of the contractors for victualling troops to the Government.	161
May 20, Philadelphia.	Same. Estimate of the price of provisions for the use of the troops to the westward.	162
May 23, Philadelphia.	James Sinclair, A.D.Q.M.G. Certificate of Captain Ourry's public accounts.	167
May 24.	Colonel Bouquet. His public account as D.A.G.	166
May 25, Philadelphia.	G. Mercer. Receipt for money due Virginia and Mr. Walker.	168
1759-1760.	Royal American Regiment (60th). Debts due to Ensign Gorrell by the recruits delivered at Lancaster and Bedford	270
1761.	Mr. Baby. Invoice of goods bought from Thompson.	170
February 18, Pittsburg.	The same. Court of inquiry regarding goods seized. Invoice follows.	173
March 4, Fort Pitt.	Samuel Neilson. Monthly return of his company.	177
June 23, Fort Pitt.	Bouquet. Disbursement account at Fort Pitt, for the Crown, with list of vouchers.	179
September, Fort Pitt.	William Cochrane. Renunciation to the right of absolute property to the house sold by Dr. Meyer to Cochrane at Fort Pitt in 1760.	178
October 30, Fort Pitt.	Flour. A return of flour, to be replaced in the King's store at Fort Pitt.	182

1762. November 19, Fort Pitt.	Bouquet. List of accounts, &c., of disbursements for the Crown.	Page 183
1763. January 27, Fort Pitt.	Bateaux. Estimate for building twenty bateaux.	184
March 1, Philadelphia.	Bouquet, to John Burent. Burent's warrant to act as forage master.	186
May 29.	Patrick Campbell. Account against the Crown for horses lost.	169
July 15, Fort Pitt.	Lewis Ourry. List of persons killed, scalped and taken by Indians in the department of Fort Pitt, about Bedford.	189
July 24, Fort Pitt.	W. Murray. Report on the state of the provisions in store at Fort Pitt.	190
July 25, Fort Pitt.	The same. Representation on the above.	196
August 13, Fort Pitt.	Levy, Trent & Co. Account against the Crown for goods supplied.	187
August 20, Ligonier.	Arch. Blane. Certificate of valuation of horse, cows, &c., killed by Indians.	202
September 5, Fort Pitt.	Indian traders. Return of Indian traders and their servants killed and made prisoners by Indians.	203
September 27, Fort Pitt.	List of provisions lent to the inhabitants.	204
October 12, Fort Pitt.	Levy, Trent & Co. Sundries supplied to the Crown by order of Colonel Bouquet (three accounts).	205
No date.	Indian traders. List of traders trading from Pennsylvania and westward.	210
1764. April 11, Fort Pitt.	Coopers. Amount due by the Crown for work done and materials furnished by coopers at Fort Pitt.	211
April 20, Carlisle.	Paul Pearce. Petition and claim for horses killed or taken by Indians at Fort Pitt.	213
April 24, Fort Pitt.	Widow Thompson. Affidavit and claims for losses by Indians.	214
May 4, Fort Pitt.	W. Murray. Claims for losses sustained by himself and John Metcalf.	217
May 4, Carlisle.	Losses. Claims for losses by Indians sustained by country people at Fort Pitt.	218
May 11, Detroit.	Royal American Regiment (60th). Return of Captain Etherington's and vacant companies, with the detachments at Fort Pitt and Niagara.	220
May 15, Fort Pitt.	The same. Dates of the commissions of the officers of the 1st battalion at Fort Pitt.	221
June 21, Philadelphia.	General Gage. Messrs. Plumsted and Franks' account of charges not included in Colonel Bouquet's settlement with them, with remarks, &c.	222
June 28, Philadelphia.	Clothing. Survey on clothing for Colonel Oughton's regiment.	226
July 5.	Pennsylvanian troops. Return of strength, arms, ammunition, &c., of the 1st battalion.	228
July 14.	Royal American Regiment (60th). Return of Captain Etherington's and vacant companies with the detachments at Fort Pitt and Niagara.	229
August 7.	Provisions. General account in the Department of Philadelphia.	243
August 8, Philadelphia.	W. Plumsted to Colonel Bouquet. Acknowledging receipt of papers. Respecting payment of carriage ordered by Treasury. The character of the representatives of Pennsylvania.	231
August 23, Fort Pitt.	Royal American Regiment (60th). Return of deserters from 1st battalion.	232

1764.	Provisions. Return of provisions, salt and forage, &c., sent from Fort London to the different posts on the communication to Fort Pitt.	Page 233
August 31, Fort Loud- doun.		
September 19,	Virginian Volunteers. The Crown in account with Lt.-Colonel McNeil for volunteers raised in Virginia, &c.	241
October 2, Fort Pitt.	Provisions. Report of the names of the bullock drovers going down the river.	234
October 10, Fort Pitt.	Maryland volunteers. Return of numbers, &c.	235
November 8.	Pennsylvanian Regiment. List of horses belonging to the officers stolen by the Indians from Camp 16.	236
November 17, Near Fort Pitt.	Thomas Buford to Colonel Bouquet. The pursuit of Indians to recover captives.	237
November 24.	Pennsylvanian Regiment. Sketch of the state of the Pennsylvanian troops, at the beginning of the campaign at Carlisle and at the end in November, 1764.	239
December 16, Fort Lou- doun.	Provisions. Estimate of 400 head of cattle, that went with the troops under the command of Colonel Bouquet, from Fort Pitt to Muskingum.	240
No date.	Virginian volunteers. The Crown to Lt.-Colonel McNeil, for volunteers raised in Virginia.	244
	Maryland volunteers. Necessaries furnished them at Fort Pitt.	245
	Pennsylvanian volunteers. Necessaries furnished them at Fort Pitt.	245
1765.	Provisions. Calculation of the expense of provisions sent with the troops under Col. Bouquet, from Fort Pitt to Muskingum.	246
January 1, Fort Lou- doun.	John Gough. Receipt for vouchers sent to General Gage.	249
February 18, Philadelphia.	Indian agents. Account from George Croghan for goods purchased for the Indians.	250
February 18.	Pennsylvanian troops. Receipt for money towards completing the Pennsylvanian forces.	251
February 21.	Royal American Regiment (60th). Weekly subsistence, from July, 1764, to 15th March, 1765.	247
March 15.	Pollock, Harris & Co. Account against the Crown.	238
March 26, Philadelphia.	Mustering troops. Expenses of mustering troops in the southern district.	252
Pensacola.	Bouquet. Certificate of the settlement of his accounts for last campaign.	254
No date, —	Highland Battalion. Account of cash delivered to Major James Grant.	255
	Captain Callender to Colonel Bouquet. Cannot sell the waggon. Country people want settlements of their accounts. Why more flour was not sent.	256
	Marches.—Marches computed from Camp No. 16, being stages for the army.	257
	Indians. Trees indicating where scalps and prisoners were taken.	259
	Bouquet. His account with Sir John St. Clair.	261
	Losses incurred by the inhabitants of Ligonier, whilst kept for the defence of the post.	262
	Provincial troops. Men absent to be paid, with lists of killed, discharged and deserted.	264
	Provisions. Estimate for the expense of the contractors at Fort Pitt.	268
	Colonel Prevost. His company's contingent account.	271
	Royal American Regiment (60th). Detail for the winter quarters.	273

1765. No date.	Provisions. Account of provisions due by inhabitants of Fort Pitt.	Page 274
	Ephraim Blaine. List of debts due to him at Fort Pitt.	275
	Transport. Repartition of waggons by townships in Lancaster County.	276
	Transport. Horses wanted for the march from Ligonier.	277

PAPERS RELATING TO INDIAN AFFAIRS.

1758-1765.

A. 25.

B.M., 21655.

1758. May 11, Fort Lyttleton.	Capt. Ward's account for clothing, &c., for the Cherokees.	Page 1
May 30, Shippensburg.	Capt. Bosomworth to Bouquet. That the Indians, after being here for a day or two, might go on to Fort Loudoun. No word yet of the Indians from Winchester. Capt. Trent arrived with a party of warriors led by Wahatchez, a great warrior, who must be well cared for. The rice ordered will be very acceptable to the Indians; asks that all the Indian presents be ordered here, so as to show that preparations are made for the campaign.	Page 2
June 5, Fort Loudoun.	Capt. Trent to the same. Arrival of Anthony and another Indian from Carlisle. Council held, at which the Cherokees refuse to wait till Bouquet arrives; demand large presents, threatening that if they do not get them they will rob all the English houses on the way and join the Creeks to fight against the English, that the French were good people. The trouble caused by Anthony and by the want of an interpreter. Thinks a general council should be held; will consult Col. Stevens (Stephen?) who is encamped six miles off. The Indians (Cherokees) throwing back their clothing, owing to Anthony's misrepresentations. Arrival of a war party, who had fired on some other Indians at Venango, but were fired on by a party of the enemy, which they had not seen; one of them killed, the rest came in naked. A postscript, dated the 6th, says the Indians remain till Bouquet arrives.	3
June 7, Fort Loudoun.	The same to the same. Eleven Cherokees arrived from Fort Lyttleton, who report the loss of one man at the little French fort. Four Cherokees who had arrived at Fort Lyttleton reported they had lost seven in an engagement with the enemy. By advice of Col. Stevens presents have been given to Wahatchee and the men who had received none before. Does not know whether they will go or stay.	7
June 14, Reading.	Conrad Weiser to the same. What progress he has made in contracting for waggons. The bad effects of the example set by people who will do nothing themselves and keep back others. Lester appointed waggon master; his good will. The dislike to George Roth; he might be employed elsewhere. The valuation of waggons. After to-day shall press waggons for the service.	8
June 16, Fort Loudoun.	Capt. Bosomworth to the same. Delay in fitting out the Indians to march to Lyttleton; how they are to receive their proportion of goods for the campaign; they shall then be stored till their return, as a pledge for their performance of duty, &c., &c.	11
June 18, Fort Loudoun.	The same to the same. Further about fitting out and securing the presents to the Indians. Two parties have marched for Lyttleton.	13
July 14, Cumberland.	The same to the same. Has arrived after a narrow escape of being scalped. There are no Catawbias at Winchester, nor any word of the Little Carpenter. The 28 Tuscaroras expected he shall desire Col. Byrd to send to Rea's Town.	14

1758.
July 23, Ray's Town. Calculation of the expense of Indian warriors for their service during the campaign. Page 15
- September 10, Ray's Town. Bosomworth to Bouquet. Has been detained here by the illness of the interpreter and other causes; will leave to-morrow with all the Cherokee and Ohio Indians to join the others at the advanced posts. Sends a rough draught of the talk he had given to the Ohio Indians. Reported arrival of Wolfe at New York, with 8,000 men. 17
- December 4 and 5, Pittsburgh. Bouquet's conference with the Delaware chiefs held at Pittsburgh, 4th December, and their answer, 5th December. 19
1759.
January 1, Bedford. Account of Indian goods in the King's storehouse at Fort Bedford. 25
- January 8, Pittsburgh. Minutes of a conference held with the Indians on the Ohio, at Pittsburgh. 33
- January 8, Pittsburgh. Col. Mercer to General Forbes. Sends the minutes of conference. The report by the Six Nations that 12 nations on the other side of Lake Erie are in the French interest and engaged to cut off the Six Nations. Such a stroke would be their ruin, so they have come to ask assistance; they believe that one or two defeats suffered by the French will detach their Indians. They report the state of the French posts, not a word of which has been brought by the Delawares, who must be kept on good terms in the mean time. An interpreter wanted, as well as presents for the chiefs of the Six Nations.. 33
- January 8, Pittsburgh. The same to Bouquet. The different accounts from Venango; does not know which to trust. Refers to the conference to show the feeling of the Six Nations toward the other Indians as well as towards the French. Has sent Ward to interpret, but needs an interpreter in his place. The enormous consumption of provisions by the Indians. Will try to get up two cannon sunk in the Ohio. 35
- January 11, Fort Loudoun. Robert Tuckniss to the same. Has been appointed Indian agent. Cannot get forward for want of waggons, &c. 36
- January 15, Fort Loudoun. The same to the same. Respecting the delay in proceeding; cannot engage waggons on the report that the roads are so bad; asks for a store house for the sale of goods, &c., &c. 38
- A memorandum of necessaries wanting to transport goods to Pittsburgh and the cost of building a store there. 41
- A note dated 27th, enclosing memorandum. 43
- July 11, Pittsburgh. Col. Hugh Mercer to Bouquet. The news of reinforcements being sent to Venango confirmed by the attack of the enemy on that post. Wyandots from near Detroit report that the French were raising all the men of that post, amounting, with the garrison, to 500 or 600 men, and collecting the Indians to prosecute the war on this river. Two Indians from Presqu'Isle sent by one of the Six Nations, report a body of French and Indians (about 700) had arrived there from Detroit with 10 pieces of cannon, to attempt this post or Ligonier, and that several chiefs at Venango had gone to draw off their people from the French. Is sending off a convoy with 300 men which he hopes cannot be insulted on the road; on their arrival the force will be nearly 1,000 strong. Is sending to hasten Col. Byrd's march. Cannot tell if it is practicable for Col. Stephen to send artillery. The conference with the Indians satisfactory, but their force too small to be of consequence. No word from Niagara. Expresses sent by Indians. 44
- July 11, Pittsburgh. George Croghan to the same. Reports news of the movement from Detroit, as in Mercer's letter (p. 44); has had no certain news yet from Venango if the force which attacked Ligonier had yet arrived there.

1759.

- Shall have spies constantly out; their intelligence saved the last convoy. Has had to draw money. Page 46
- July 11, Pittsburgh. George Croghan to Bouquet. News from Presqu'Isle as in Mercer's letter. www.libtool.com.cn 48
- July 13, Lancaster. Bouquet to Mercer. The General has given orders to open a communication from Carlisle to Red Stone, where a post is to be built for the reception of provisions. The flats to be built when hands can be spared. Peace to be confirmed with the Indians. Orders given for Indian goods. To try to engage 50 or 100 young Delawares to take up the hatchet against the enemy. Hopes the repulse at Ligonier will cool the enemy. The Virginians were to set out on the 11th, part to clear the road to Red Stone Creek, the rest to proceed by Bedford to Ligonier. Report, not believed, that the Shawanese proposed to come to his fort (Pittsburgh) as friends, and when admitted to attack the garrison; the precautions to be used. The new levies arrived at Carlisle; there is a prospect of plenty of waggons for the campaign. It is reported that Croghan has changed the price of Indian goods. No changes to be made but by the General. News from Prideaux expected, and that Amherst has passed the lakes. 49
- July 13, Lancaste. The same to Croghan. Orders as to Indians, Indian goods, &c., substantially as in letter to Mercer (p. 49). 52
- July 16, Pittsburgh. Col. Mercer to Bouquet. Croghan has sent full information. The enemy not yet come. The garrison in good spirits, although with a scarcity of provisions. The convoy with supplies will be in to-morrow. The Delawares and other Indians have shown great zeal; but for them news could not have been sent nor supplies received. Twenty Wyandots arrived; a part of 70 going to the French, but brought in by their people. 54
- July 21, Pittsburgh. The same to Stanwix. No accounts from Venango to confirm previous news. Joscelyn's convoy of horses for Ligonier detained, on the report of considerable parties of the enemy being about. Chief of the Delawares sent to ascertain the intentions of the Indians who had passed through the night. Will detain the convoy till further information, as the provisions can hold out for 10 or 12 days. Expense of provisions for Indians; how he is trying to lighten it. The importance of having them for obtaining intelligence. Returns of troops sent. Onondagas and Delawares have returned to their homes till wanted. Defensive works for the post. Indian deputies at Venango to detach the tribes there from the French. 55
- July 21, Pittsburgh. George Croghan to the same. More detailed account of Indian movements mentioned in Mercer's letter. 58
- July 22, Pittsburgh. Col. Mercer to Bouquet. Congratulates him on the happy change of circumstances. Is afraid the expense for Indians may be thought extravagant, but it has been necessary. A fair opportunity offers to clear the Ohio; Indians leaving the French daily. 61
- July 22, Pittsburgh. The same to Stanwix. The Indians dropping off from the French. Joscelyn marches this morning; believes he will meet no insult; 200 Indians waiting at Beaver Creek till they know what reception they may meet with; he will, however be prepared for the worst. 62
- July 23, Chambers' Fort. Bouquet to Mercer. His gratification at the certain news of the enemy's retreat. The Delawares have paid for the cost of provisions by their assiduity. Convoys on the road to Ligonier; troops to remain there till a month's provisions for a thousand men can be sent to Pittsburgh. The necessity for strong escorts has caused delay; roads are yet to be repaired. An express has been intercepted by the enemy, with letters and £400 in cash; copies of the letters are sent. Respecting the forwarding of stores and provisions. 63

1759.

Order to retain 350 men for the garrison is referred to in this letter. The order is at Page 66

July 23,
Pittsburgh.

George Croghan to Stanwix. Arrival of Indians who have left the French; they will be able to take few to Niagara, as nearly all the Indians are leaving them. 67

July 25,
Fort Loudoun.

Bouquet to Lt.-Col. Work. Instructions on taking command at Fort Loudoun. 69

July 28,
Pittsburgh.

Col. Mercer to Stanwix. Has sent off 200 men to meet the convoy, to relieve that number to return to Ligonier. The convoy to be detained no longer than to rest the horses. Shall do all that is possible to draw the Indians to the British interest, with remarks on the subject. Statement of the number of Indians here; Croghans' journal shows that 1,200 Indians had been fed and clothed since his arrival. Small parties of Indians are occasionally seen, but as one or two Frenchmen are usually with them it is probable they are only watching the movements of the troops. 70

July 31,

Reports received from Venango, &c., on the 29th, 30th and 31st July, of the state of affairs at that post, the movements of French parties on the road, &c. 73

The letter from Croghan covering the above states that he and Mercer had been obliged to buy Indian goods; denies that he had made any change in the prices fixed by the commissioners. How the escorts for provisions are composed. Spies sent to Venango and Presqu'Isle to watch the enemy. Respecting the rations to Indians. Has been informed where the enemy buried the guns down the river last fall; proposes to raise them. 75

August 1,
Pittsburgh.

Col. Mercer to Bouquet. Capt. Gordon has joined with 100 artificers; has reduced the garrison to 350 rank and file, has sent the sick to Ligonier, and has sent off as many Indians as possible with the convoy for there. Sends returns. Indians daily arriving. Two men of the Highlanders carried off by the enemy. Respecting the prices of Indian goods. Indians have brought news from Venango that 100 French and some Indians are there settling the terms of peace; about 40 Indian parties are now on the road for the French interest. The French are preparing to make off on the news of the reduction of Niagara, or of troops marching against them; not above 50 Indians remained with the French when they crossed the lake. The bateaux will be ready in about eight days to go to Red Stone Creek. (A note is added by Major Tulleken, that he would join the pack horses, sheep and oxen in one convoy). 77

August 2,
Bedford.

Bouquet to Mercer. In event of the success or failure of the attack on Niagara he proposes to burn Venango, but leaves it to him to judge of the probability of this succeeding. Gives a sketch of the plan of operation. Tulleken on the road with 200 men; the chief dependence for the execution of the plan must be on the Indians, so that if they will not go he is not to leave Pittsburgh. Gordon to be left at Pittsburgh to go on with the building of the fort. 80

August 5,
New York.

Report from Albany that the French had abandoned and destroyed Crown Point; Niagara surrendered on the 24th July; that the re-inforcement from Venango had been attacked and defeated by Sir William Johnson; 17 officers prisoners. The garrison allowed the honours of war, and embarked for Albany on the way to New York; 607 privates prisoners, &c., &c. 83

August 5,
Pittsburgh.

Intelligence on the 4th and 5th brought by Indians from Venango of the fall of Niagara and the consequent confusion of the French at Venango, with details of the attack on Niagara. Arrival of Indians to ascertain the terms of the peace that had been made with western Indians. The report of the 5th gives additional details of operations at Niagara. 97

1759.
August 6,
Pittsburgh. Col. Mercer to Stanwix. Indians collecting for a conference respecting the conduct of the Delawares; their consumption of provisions prevents any saving between convoys. Capt. Gordon assisted by the garrison in preparing material for the works. The two Highlanders (p. 77) were carried off by Taways, and no doubt killed, as the Taways were seen going off with scalps. Page 84
- August 6,
Pittsburgh. George Croghan to the same. Sends the latest intelligence. Indians met for a council to take the hatchet out of the hands of some Indians who still keep with the French. Great numbers of Indians coming to trade. (Note from Major Tulleken that he would keep by the waggons he found at Stony Creek till they reach Ligonier. 85
Intelligence, dated 1st Aug., from Venango enclosed. 87
- August 7,
Pittsburgh. Minutes of conference between George Croghan and the chiefs and warriors of the Delawares, Shawanese, Wyandots, Twigtwees, Ottawas, Chippewas, Cuscuskees and Pottawatomes. 89 to 96
- August 10,
Bedford. Bouquet to Croghan. His intelligence from Niagara is welcome. The Indians do as much mischief devouring provisions at Pittsburgh as by destroying them on the road. A large number of men must be employed to build the fort at Pittsburgh, but they cannot be sent so long as these idle people daily consume all the provisions that arrive. This must be stopped. Those who must be kept are to be reduced to the same rations as the soldiers; the rest must be referred to a general treaty. 99
- August 15,
Pittsburgh. Col. Mercer to Stanwix. The report of the burning of Venango, LeBoeuf and Presqu'Isle by the French is confirmed. Bateaux and flats getting ready to carry troops to Niagara. Capt. Robertson marches to-morrow with the convoy to Ligonier. 101
- August 15,
Pittsburgh. The same to Bouquet. Elevating news flows in from every quarter. Indian news true in general, but false in particulars, as the Indians get reports from second hand. Regrets the expenditure for Indians, whose services, now that the enemy are running across the lake, have become contemptible. Is observing orders to get rid of the Indians and to reduce the allowance of those who remain. No horses have been stolen since the arrival of the convoy, orders having been given to fire on every Indian seen taking off any; some might be purchased from them, were there goods to give in exchange. Bateaux fitting up; the convoys from Ligonier return as strong as they come. The knowledge Capt. Robertson has of military affairs, &c. 102
- August 16,
Pittsburgh. The same to the same. Has sent Major Ward to join the Pennsylvanians, and drawn to pay him and the waggons. Reported burning of Venango, &c. Of the French troops that went to relieve Niagara, 200 were killed and few of the rest came in. 105
- August 20,
Pittsburgh. The same to Stanwix. Forwards a letter brought by Indians from Sir William Johnson. Owing to the roads, it is impossible to march a body of men from Presqu'Isle to Niagara; how the troops can be sent. The Indian who scalped the waggoner is one of Killbuck's party; he is to be delivered. Severe measures must be taken with these people; their rapacity, &c. 106
- August 20,
Pittsburgh. The same to Bouquet. Arrival of Major Tulleken and different convoys. Will purchase such of the horses as may speedily recruit and send them to Ligonier, as they are not secure in any pasture here. The villainy of Killbuck's party; the insolence of the Delawares must be checked. Is afraid the arrival of Catawbas will embroil matters. 108
- August 23,
Pittsburgh. The same to Col. Byrd. A waggoner killed and another fired on by three Indians on the road to Ligonier, who killed his horse and stole some horses from a convoy of empty waggons, under escort. Waggons found on the road to Cumberland, with the traces cut. No convoy safe

1759.
without a strong escort. The sutlers' waggons have gone off to Cumberland without notice. Page 110
November 5, List of Indians who have been here to council. 111
Pittsburgh.
No date. List of Indian nations, their places of abode and chief hunting. It is endorsed "Account of the Western Indians," and gives a sketch of the character of each; the kind of game they usually hunt; number of fighting men, the total of these latter being 23,400, the number of each tribe being given separately. 112
1760.
April 24, Bouquet to Stanwix. Respecting the accident to Frederic Post and the alterations in Amherst's message to the Indians. 117
Philadelphia.
June 7, Report brought by an Indian of the movements of French troops and their intention to attack Fort Pitt. 119
Fort Pitt.
December 3, Report of a conference held by George Croghan with the Wyandots, Ottawas and Pottawatomies. There were present Major Robert Rogers, Capt. Donald Campbell, Governor of Detroit, a number of the officers and other gentlemen, and several of the principal inhabitants, Capt. Henry Montour, interpreter, and several of the deputies from the nations on the Ohio. 124 to 133
Detroit.
December 23, Permit given by Bouquet to Uriah Hill and Thomas Cohoun to carry goods for the Indians to Detroit, with an obligation, signed by Hill, that he will observe the conditions of the permit. 121
Fort Pitt.
December 24, List of the English prisoners brought by Lieut. Holmes from Detroit, giving names, to whom or where they belong, where and when taken and with whom prisoners. 123
Fort Pitt.
1761.
March 1, 2, Conference between Croghan and the Shawanese. 134
April 10, George Croghan to Bouquet. Suspects that Delaware George has himself stopped his nation from going to war against the Cherokees. 138
Fort Pitt.
May 26, Speech from Delaware George, asking that houses be built for his tribe. 139
Fort Pitt.
May — Speech of Otchinneyawessa, a Six Nation chief, that he had come to make peace with the other nations. 140
- June 3, Description of James McCulloch's children, prisoners among the Indians. 141
Fort Pitt.
June 6, Speech of a chief of the Six Nations, promising to restore the stolen horses. 142
Fort Pitt.
June 17, Capt. Donald Campbell to Major Walters (?). Has received word that the Six Nations have sent belts and deputies to all the Indian nations from Nova Scotia to the Illinois to take up the hatchet against the English, and have also sent to all the northern nations; a council was to have been held at Sandusky, which he has prevented by calling a council here and exposing the design, which was to make a simultaneous attack on Niagara and Fort Pitt and cut off all the communications. Urges precautions. Has sent an express to Fort Pitt, but he should also send one in case of accident, &c. 144
Detroit.
June 28, Copy of Ward's intended speech to the Six Nations, on the occasion of a Mingo being killed in stealing horses from the Pennsylvania troops. 148
Fort Pitt.
June — Another speech, dated the 29th. 150
Detroit. Report (in French) of the conference between the deputies of the Six Nations and the Western Indians, at Detroit. 154
- July 3, Report of a council held at the Wyandot town, near Fort Detroit, by the deputies of the Six Nations with the Ottawas, Wyandots, Chippewas and Pottawatomies. 157
- July 9, Speech by the Hard Fellow, a Shawanese chief. 162
Fort Pitt.
August 1, George Croghan to Bouquet. The Indians have been consoled for the death of Nickman by a few small presents, and he has ordered rum and
Beaver Town.

- 1761.
- flour to make a feast for the relations, that they may forget his death. The Indians from the different villages are to meet here to proceed for the treaty in Pennsylvania. Page 163
- August 31, Minutes of conference held at Easton with the chief sachems and warriors of the Onondagoes, Oneidas, Mohicans, Tuteloos, Cayugas, Nanticokes, Delawares, Conoys. The conference lasted from the 1st to the 11th, and a private conference was held on the 12th. The correctness of the minutes is certified to by Richard Peters. 164 to 207
- September 18, Sir William Johnson to Bouquet. In consequence of the complaints Detroit. by the Indians of the dearness of goods, he has sent regulations for the trade. 208
- October 25, Instructions by George Croghan to Thomas Hutchins, agent for Indian Fort Pitt. affairs in the western division. 209
- 1762.
- January 8, Instructions to George Croghan by Sir William Johnson. 211
- March 20. George Croghan to —————. That the only way to stop the abuse in the consumption of rum is to order it all into the King's stores. 212
- March 27, The same to Bouquet. In answer to the complaint of Amherst of the Croghan's house. great expenses of the Indian department, he explains the nature of the expenditure and the necessity of making presents to the Indians, as had been the custom of English and French since the settling of America. Has been ordered by Sir William Johnson to get all the prisoners among the Indians released, which cannot be done without expense, and his visits to the distant posts cannot be made without a bateau and men and wampum to make speeches, besides provisions, &c. 213
- April 3, Instructions by George Croghan to Thomas Hutchins. That he is to Fort Pitt. proceed by way of Sandusky to Michillimakinak, La Baye, St. Joseph, Miamis and Weyaugh, to examine into the state and behaviour of the Indians near these posts. The messages he is to give. He is to return through the Twigtwee and Shawanese country, acting in the same manner as with the other Indians. 216
- The journal kept by Hutchins of his proceedings. 218 to 228
- May 3. George Croghan to Bouquet. List of goods to be given to the Delawares at the ceremony of condoling with them on Delaware George's death. 229
- August 14, Estimate of the expenses in Croghan's department, as settled by Sir Johnson Hall. William Johnson. 230
- September 18. List of tools due to the King's store by Croghan. 231
- September 26, James Hamilton, Governor. Commission to Col. James Burd and Philadelphia. Josiah Davenport, to receive prisoners in the hands of the western Indians. 232
- October 9, A return of the number of prisoners delivered by the western Indians Fort Pitt. from the 9th July, 1759, to the 9th October, 1762. 233
- October 18, Orders and regulations published at Fort Pitt, to be observed by the Fort Pitt. traders, sutlers and other inhabitants of that place, from 21st February, 1761, to date. 236 to 249
- December 8, Council of Six Nation Indians, at which they complained they were Fort Pitt. not supplied with clothing, powder, or rum, with Croghan's answer. 234
- No date. Standing expenses of the Indian Department, 1762. 250
- 1763.
- January 30, Intelligence received from a Shawanese chief, in presence of Ecuyer. Fort Pitt. He acknowledged that a war belt had been sent to the tribes, but that at the council it was agreed to sit still, and the belt was returned to the Illinois country. He said that the French were very generous, and gave clothing and powder and lead in plenty. 251

1763. May 29.	Speech sent to the Delawares by Capt. Ecuyer, calling attention to robberies committed by their young men.	Page 253
June 10, Fort Bedford.	George Croghan. Examination of George Hudson respecting the rising of the Indians.	254
June 11.	Declaration respecting the capture, robbery and murder of traders by Indians, incited by five Frenchmen from Detroit.	259
June 12, Michillimakinak.	Capt. Etherington to Major Gladwin, reporting the capture of the fort, the killing of the garrison, &c., by the Indians, when pretending to play ball. The good service rendered by the Ottawas, &c., &c.	263
June 19, St. Joseph's.	Richard Winster to the English merchants at Detroit. Narrative of his escape from the massacre by the Indians.	266
May 16, Fort Edward Augustus.	Edward Morran to Joseph Spear & Co. The Indians incited to murder by the Canadians.	267
June 1, Ouistatonon.	Edward Jenkins to Gladwin. That he and a number of the soldiers have been made prisoners by the Indians, and saved from being killed by the efforts of Maisonville and Lorrain.	267
June 24, Fort Pitt.	Report by Capt. Ecuyer of the speeches of the Delawares.	269
July 26, Fort Pitt.	Report of a conference with Delaware chiefs.	273
July 29, Fort Ouistatonon.	Extracts of letter by Edward Jenkins to Major Gladwin of 28th March, and 29th July, respecting the state of affairs on the Illinois.	261
August 8, Fort Pitt.	Certificate by Capt. Ecuyer, that the horse belonging to W. Murray, the value of which is claimed, was employed on the works of defence and carried off by the enemy.	279
September —	Letter from George Nunn, a deserter from Capt. Gordon's company.	349
October 28.	Relation of occurrences at the Detroit in September and October.	281
1764. January 4, Winchester.	Col. Stephen to Bouquet. Is concerned at the disappointment in the design of going against the towns. If the Indians sue for peace, he is at a loss to know what reparation they can make, or what security they can give for peace. Respecting provisions from his farm, &c. Shall send reports of the proceedings of the Assembly of Virginia concerning the defence of the frontier.	285
January 6.	Copy of accounts settled by Bouquet with Lieut. Potts.	286
September 20, Fort Pitt.	Speech by Bouquet to Capt. Pipe, Capt. Jacob and the Delawares.	287
October 2, Fort Pitt.	Bouquet's speech to the two Six Nation Indians. The speech of the two Six Nation Indians.	290 293
October 15, Tuscarawaa.	Message to the Delaware chiefs, that they may come to the camp in safety.	296
October 16.	Speech of four Senecas and two Delawares, to Bouquet, with continuation of the conference to the 20th	297 to 313
November 13, Muskingum.	Bouquet's speech to the Shawanese.	314
November 15, Muskingum.	List of prisoners sent to Fort Pitt by Capt. Lewis, being captives given up by the Indians. List of prisoners supposed to be in the different Shawanese towns on Scioto.	317 319
December 11, Fort Bedford.	Bouquet to Major Murray, with messages to Indians.	320
December 20, Fort Pitt.	Intelligence from Detroit, brought by Andrew, a Wyandot Indian.	323
December 22, Fort Pitt.	Intelligence received from a Delaware Indian.	325

1764. No date.	Letter from John Gibson to Bouquet, with congratulations on his speech, signed by Indian chiefs, traders, &c.	Page 326
1765. January 8, Fort Pitt.	Speech by a Shawanese chief to Capt. Murray.	328
No date.	Conversation between Alexander McKee and four Shawanese who came opposite the fort, but without the usual wampum.	330
	Capt. Murray's speech to the chiefs, captains and warriors of the Six Nations.	331
	A series of questions apparently put to the Indian deputies, after the peace entered into by Bradstreet.	334
	Sketch of a message to be delivered by Frederick Post to the western Indians. The General's speech and Post's modifications in parallel columns.	336
	Articles of agreement concluded between Col. Henry Bouquet, commanding the southern district, and the chiefs of the Senecas living upon the Ohio, the Delawares and the Shawanese.	340
	List of persons (names given) killed by the different nations of Indians, specifying the number and by whom killed.	342
	With no introduction; it is endorsed only: "Speech to Indians."	344
	List of Indian goods, with prices (apparently a calculation of the cost of fitting out each Indian warrior).	352
	Regulations for trade with the Indians, with a list of the equivalents in peltry, &c., to be given for goods.	353
	The lists are separately given for:	
	Fort Pitt.	354
	Sandusky.	356
	Miamis.	359
	Croghan's calculation of expenses attending the visit of the western Indians.	357
	King Shiukos to Bouquet, applying for tools that had been promised him.	360
	Names of officers and men acquainted with the Indian language.	361
	Croghan's account of the causes of uneasiness with the Six Nations.	362
	Indian speech in July at Fort Pitt.	364
	A rough sketch map of Lake Erie and vicinity.	365
	List of prisoners with the Indians at the lower Shawanese towns.	366

PUBLIC ORDERS ISSUED BY GENERAL AMHERST AND COLONEL BOUQUET.

1761—1765.

A. 26.

B. M., 21656.

1761. October 31, Fort Pitt.	Proclamation prohibiting all His Majesty's subjects from settling or hunting on Indian lands west of the Alleghany Mountains.	Page 10
1762. March 1, Fort Pitt.	Orders to the officers of the posts (named) to forbid traders to carry, sell, or give any strong liquors to the Indians.	2
April 21, Fort Pitt.	Orders to forbid the impressing of horses and carriages; sent to the commanding officers at Ligonier and Bedford.	2
October 30.	Orders to supply the commissaries at Venango and Presqu'Isle with fuel.	3
November 21, New York.	That such portion of the condemned flour as is serviceable, if sold in time, is to be disposed of to traders, &c., at the posts.	5

1762.	General Order respecting the pay of troops, regular or provincial, when employed as artificers at the posts.	Page 4
No date.	Proclamation of a cessation of arms between the King and the Kings of France and Spain.	6
1763.	On the 4th May the definitive treaty of peace was proclaimed.	6
January 21, New York.	Order that friendly Indians with white men, sent out against the hostile Indians by Sir William Johnson, are to be well treated at the posts.	10
March 18, Fort Pitt.	Order transmitting the thanks of Parliament to the officers and soldiers for their services during the war.	12
April 9, New York.	Another vote of thanks, dated 9th September, 1763.	13
June 12.	Disposition of the officers of His Majesty's 60th or Royal American Regiment into companies.	15
July 19, New York.	Order communicating the conclusion of a treaty of peace. The clothing for all regiments in North America to be delivered annually on the 22nd September.	25
November 17, New York.	Thanks of General Amherst to the army on his transferring the command to General Gage.	26
1764.	General order publishing His Majesty's approbation of the conduct and bravery of Bouquet, and the officers and troops in the two actions on the 5th and 6th of August.	7
January 5, New York.	Lieut. Kemble appointed aide-de-camp to Gage.	8
January 14, New York.	The regiments to prepare muster rolls every six months.	7
March 4, New York.	Gage to Bouquet. To have the accounts for last campaign sent in, with a view to settlement.	65
March 6, New York.	List of the officers of each regiment to be sent to the Commander-in-Chief; half-pay officers and those who choose to purchase, &c. The regulated price of commissions follows.	9
April 4, New York.	Order from Gage that on the monthly returns the list of officers absent on leave, with details, shall be inserted.	9
April 4, New York.	Warrant empowering Bouquet to assemble courts martial. The warrant is signed by Gage and preceded by the Royal warrant, dated 26th March, 1764.	16-17
April 19, New York.	Form of warrant for the appointment of a deputy judge advocate. Regulations for the issue of provisions at posts.	19 8
April — New York.	The troops from Philadelphia are put under Bouquet's immediate command.	41
May 1, Carlisle.	Warrant appointing Thomas Fleming express messenger.	29
June 1, New York.	Directing a stoppage of two pence half-penny for each ration issued to the troops in North America.	26
June 11, New-York.	Offer of pardon to deserters from the Royal Americans returning to their regiments before the 31st July.	20
June 14 to '20.	Orders to the contractors for supplying provisions to the frontier posts.	20
June 15, Philadelphia.	Order by Bouquet to Lieut.-Col. Reid to proceed to Carlisle to accelerate the formation of the second battalion of the Pennsylvania troops.	28
June 30, Philadelphia.	Order to Lieut.-Col. James Robertson to provide transport.	41
July 7, 9, Philadelphia.	Respecting the issue of provisions at the posts and the furnishing of escorts.	27
August 3, Carlisle.	Orders (two), to make a survey on provisions with reports of surveys.	44 to 46

1764.		
August 5, Carlisle.	Bouquet to W. Dunlap, that the postage on letters forwarded from Philadelphia shall be collected, with remarks.	Page 30
August 14, Fort Loudoun.	Orders to Lieut. Sealy to march to Fort Cumberland, to relieve Lieut. McIntosh.	32
August 15, Carlisle.	Alexander Lowry to be chief guide to the troops in the Indian country.	31
	Thomas Mitchel, Samuel Brown and Andrew Bogs are also appointed guides.	32
August 15, Fort Loudoun.	Instructions to Lieut.-Col. Reid, marching to escort a convoy to Fort Pitt.	36
August 28, Fort Loudoun.	Order to Thomas Rutherford to victual recruits, and to Callender to countermand part of the provisions ordered.	47, 48
August Carlisle.	Imprisoned deserters to be furnished with provisions.	31
August.	Form of commission to raise a company of volunteers.	34
	The number of commissions issued, with the dates and names, follows.	35
November 29, Fort Pitt.	Order proclaiming a suspension of arms with the Indians.	68
November 30, Fort Pitt.	Instructions to Capt. Murray, ordered to garrison Fort Pitt.	53
November and December, Fort Pitt.	Memoranda as to the movement of troops.	50
December 9, New York.	Promotion of Major-General Gage to be General and Commander-in-Chief.	59
December 18, New York.	Order respecting command money.	59
December 25, Williams- burgh.	Governor Fauquier to Bouquet. With the thanks of the Legislature of Virginia.	70
	The address follows.	71
	The answer.	72
1765.		
January 12, Philadelphia.	Croghan, Indian agent, to be assisted at posts on his way to and from the Ohio.	60
January 15, Philadelphia.	Address to Bouquet from the Assembly of Pennsylvania, in acknowledgment of his services.	61
	The answer, dated 5th February.	63
January 31, New York.	Rolls to be kept of the soldiers employed on the works at the forts.	76
February 17.	Sir W. Howe to be colonel of the 46th Regiment.	77
February 26, New York.	Notice of the settlement of a contract for provisions.	75
March 21, New York.	Colonel Reid to succeed to the command in lieu of Bouquet, who has received leave of absence.	78
March 23, Philadelphia.	Capt. Schlosser, in view of disturbances on the frontier of Cumberland County, is to place himself under the orders of Governor Penn.	77
April 5, Philadelphia.	No more provisions to be sent to Fort Augusta.	79

GENERAL AND REGIMENTAL ORDERS.

1759-1764.

A. 27.**B. M., 21657.**

1759.
March 16,
New York.
October 12,
Pittsburgh.

Two orders respecting courts martial.

Pages 1-2

Order to Major Tulleken to recruit in Maryland for the 1st battalion of Royal Americans.

3

1759.	Instructions follow.	Page 4
1760.	Warrant to hold courts martial.	7
March 15, Fort Pitt.	www.libtool.com.cn	
June 14, London.	Regulations respecting Chelsea hospital.	15
	Form of certificate for Chelsea.	17
October 8, Fort Pitt.	Order by Monckton, forbidding the sale of rum to the Indians.	8
December 1, Fort Pitt.	Instructions to Capt. Buckner, in command of an escort for Venango.	9
December 7, Detroit.	Order to Lieut. John Butler, of the rangers, to take possession of Fort Miami.	11
December 27, Fort Pitt.	Order to Lieut. Holmes, of the rangers, to proceed to Philadelphia with French prisoners.	14
1761.	Order for the officers of the army to go into mourning for the late King (George II).	18
January 1, New York.	Instructions to the sergeant sent to escort a supply of oxen for Detroit.	19
March 17, Fort Pitt.	List of promotions in the army.	21
March 25, New York.	General order. The issue of medals to the Indians who accompanied the army to Montreal.	23
April 19, New York.	Proclamation forbidding settling or hunting on Indian lands.	24
October 31.	Private instructions for Fort Pitt, as to returns to be made, the care of stores, &c.	26
No date.	Brief extracts of general orders for Fort Pitt, from 26th October, 1760, to date.	28
1762.	Prohibiting the sale of strong liquors to Indians.	30
January, Fort Pitt.	Contract for a ferry at Red Stone Creek.	31
March 1, Fort Pitt.	Pass to Mr. Teaff, carrying furs to Fort Pitt, and to return with rum, &c.	32
March 17, Fort Pitt.	Regulations for cutting timber and cordwood at Pittsburgh.	33
August 27, Detroit.	Examination respecting a dispute between Brookes and Metcalfe in relation to drygoods left at this post.	91
August, Fort Pitt.	Liberty to Anthony Thompson to set up a tan work.	35
September 16, Fort Pitt.	Cessation of arms proclaimed between Great Britain and France and Spain.	50
November 16, Fort Pitt.	Transmitting the thanks of the House of Commons to the Army and Navy. The letter and resolution of thanks, &c., follow.	54
1763.	Order for the reduction of troops in North America.	37
January 21, New York.	Plan of the establishment of the 60th or Royal Americans follows.	42
April 9, New York.	General order that the treaty of peace has been signed.	44
May 18, London.	Order for stoppage to pay for provisions.	45
July 19, New York.	Lists of posts that are exempted from stoppages.	47
September 22, New York.	Orders for Lieut. Dow whilst he commands at LeBœuf.	75
September 28, Presqu'Isle.	Farewell orders of Gen. Amherst, on resigning the command.	78
November 17, New York.	General order. The King's approbation of the conduct of Bouquet and the troops.	48
1764.	Lieut. Kemble to be A. D. C.	49
January 5, New York.		
January 14, New York.		

1764.	Muster rolls to be prepared for each regiment every six months.	
March 4, New York.		Page 51
	Another order, dated the 30th, that absent officers are to be included in the returns, &c.	52
	Further order as to the returns, dated 4th April.	53
April 19, New York.	Regulating the issue of rations at Fort Pitt.	57
May 17, Carlisle.	Warrant to the gaoler to keep two soldiers prisoners.	58
June 14, New York.	Recruiting orders.	59
June 18, New York.	Instructions to Kennedy Farrell, waggon master general.	60
June 30, Philadelphia.	Instructions to Col. James Robertson, D. Q. M. G., respecting transport.	62
July 1, New York.	Stoppage of provisions.	66
August 4, Carlisle.	Order for a general parade of the two battalions of Pennsylvanian troops.	68
	Order issued by Governor Penn on the 5th to the two battalions.	70
August 5, Carlisle.	All the troops in the southern department to be under Bouquet's immediate command.	69
August 14, New York.	Promotions.	67
August 16, Philadelphia.	The Board of Commissioners, authorising the payment of twenty shillings to the recruiting officers for each man enlisted.	72
September 25, New York.	Promotions. Also October 22.	73 74 77
November 29, Fort Pitt.	Orders to Capt. Stewart. of the 42nd, going to Ligonier.	79
1765.		
January 16, New York.	Regulations for the proceedings of Indian traders furnished with passes.	81
No date.	Copy of general orders respecting artificers, &c., which have been observed at all the posts.	83
	Instructions to Lieut. McGee to bring off the troops at the Lower Shawanese towns; the French troops are to march with him; Artell (Hertel) has signed the parole. The French troops are to be brought to Pittsburgh, &c.	85
	Instructions given by Major Rogers at Detroit, respecting the dealings with the Indians on the Miami, &c.	87
	Advertisement for waggons to carry stores, &c., to the different posts, with the price of carriage to be allowed.	89
	Order for the 1st battalion Pennsylvanians to be at the house of Adam Hoops, Carlisle, on the morning of the 7th August (no year) for examination; the 2nd battalion to attend in the afternoon.	94

MISCELLANEOUS PAPERS.

1757-1765.

A. 28.

B. M., 21658.

1757.		
July 1, New Market.	Return of artificers of the 2nd battalion of the Royal Americans and of the three independent companies.	Page 4
November 16, Albany.	Orders for recruiting in the Colonies for the 1st battalion of the 60th Regiment.	5
1758.		
May 25, Carlisle.	Calculations for storehouses at Ray's Town.	3

1758. May 28, Carlisle.	Return by the sheriff of the names of persons having waggons fit for transport.	Page 6
May 28, Carlisle.	Bouquet to Mr. Francis West. The owners of waggons, not having come as ordered, warrants are to be issued for impressing the waggons.	7
May 28, Shawokin.	Intelligence by John Hocksbattler, a Swiss, who was taken prisoner in 1757 by the Indians, but escaped. The intelligence is given in answer to questions.	147
June 13, Conogoching.	Questions by George Washington respecting sundry matters on which Bouquet's directions are required.	8
July 8.	Rough sketch of the country in the neighbourhood of Winchester. Journal of Capt. Ward, sent to reconnoitre the Alleghany and Laurel Hills.	10 12
July 20.	Lieut. Baker's report on the road to Ray's Town, from the 8th July to date.	15
July 20.	Journal from 8th July to date, of Capt. Ward, sent to reconnoitre the Yioghiogheny.	18
July 20.	Capt. Clayton's report about the new roads.	26
July 25, Edmund's Swamp.	Major Armstrong to Bouquet. Reporting what is necessary to put the road in order over the Alleghany Hills.	13
July 26, 27, Kicknapau- lina.	The same to the same. Two letters about the road, in addition to the one on the 25th.	13, 14
August 4, Ray's Town.	Report from the Monongahela and Ohio, brought by Cherokees, respecting the French fort.	27
August 10,	Rates and prices for the sutler's goods at Ray's Town, settled by Bouquet.	37
August 18, Quimahony Creek.	Report of Lieut. Allen of his scout to Fort Duquesne.	34
August 19.	Report of a scout from Ray's Town, to ascertain the situation and strength of Fort Duquesne, from the 7th August to date.	28
August 26, Alleghany Mountain.	Report by Lieut. James Hay, sent to reconnoitre the gap at Laurel Hill.	38
September 27.	Report by Lieut. Beal of the distance and courses from Loyal Hannan to the river Kiskeminekis.	41
November 6.	Report of the bread examined at Loyal Hannan.	42
December 15, Carlisle.	Daniel Clark to Sir John St. Clair. Congratulates him on his safe return after the fortunate campaign, and sends state of provisions (p. 43). Respecting hogs to be sent to Ray's Town; the want of diligence in sending forward provisions; asks for a new contract.	44
December 31, Fort Bedford.	Capt. Basset to Bouquet, with the distances from Ligonier to this post, in detail.	46
1759. January 1.	Account of pay and clothing due to the Maryland soldiers enlisted in the Royal Americans.	1
February 1. York.	Robert Dunn. Petition for the remission of a fine imposed in consequence of a fray with an innkeeper, &c., of which he gives details, and states that he has the misfortune to live in a part of the country where everyone who gives the least assistance to His Majesty's officers in recruiting is sure to be distressed, if not ruined.	53
April 24.	Recruiting accounts for the second division of the 1st battalion, Royal Americans, from 25th April, 1758, to date.	56
April 29, York Town.	Receipts from the captains commanding the four companies of the second division of the 1st battalion of the Royal Americans for their subsistence and contingencies to the 24th June, 1759.	11

1159.	Advertisement by Brigadier Stanwix for waggons.	Page 58
May 4, Philadelphia.	Orders for troops to be sent to the posts for escort duty.	61
May 31, Philadelphia.	Governor Denny to the Assembly, laying before it letters from Stanwix, and report from Amherst of late successes.	62
August 30.	The Assembly to Governor Denny. The most effectual mode of procuring carriage for the Crown is to make immediate payment for the old contracts. The prices offered are, besides, not adequate to the risk. Can frame no law on the subject of providing carriages additional to that now existing, nor can the demand for shipwrights be complied with.	63
September 1.	Invoice of flour in Mr. Stevenson's mill.	65
December 1.	Account by Callender and B. Hughes for carriage of provisions, stores, &c.	133
No date.	Inventory of the effects of the late Lieut. Emanuel Hess.	68
1760.	Apparently a continuation, being a list of mathematical instruments, books, &c.	70
February 25, Philadelphia.	General state of provisions belonging to the late contractor at the posts (given in detail).	66
March 26.	Petition by Adam Hoops for a settlement of his accounts for supplying provisions.	72
May 9, Philadelphia.	Col. Burd to Bouquet. That Col. W. Byrd is well, but his wife is dead. Respecting his pay in the Quartermaster General's department.	74
August 31, Fort Pitt.	Petition of the traders at Pittsburgh, that the provincial agent shall be put under the same restrictions as to the sale of rum, powder, &c., to the Indians, as the other traders.	77
No date.	Petition by John Doncaster to have George Kerr arrested and delivered to the sheriff of Frederick County, Maryland.	76
1761.	Plumsted and Franks to Bouquet. Have given orders to have a list made of the women complained of. Are pleased that the salt contract has been satisfactory. Regret that they had not previous notice of the scarcity of provisions; shall send off cattle at once, &c., &c.	79
January 19.	W. Harris. For his discharge from the company in which he was sergeant, that having been promised him by Bouquet in 1760.	81
1762.	Edward Jenkins to Gladwin. That the Illinois are anxious for a quiet life, but the Indians have been urging an attack on the posts.	93
May 6, Philadelphia.	Bouquet to Lieut. Blane. That orders have been given to supply his post with live cattle.	84
June 6, Detroit.	A letter to David Franks, and one to Thompson, of the same date, give orders for the supply of Ligonier and Fort Pitt.	85 86
July 29, Ouistonon.	James Gillespie, applying to have Messrs. Levy & Co. compelled to make an equitable settlement with him.	184
September 16, Fort Pitt.	Petition of Thomas Small, trader. For a permit to improve land at Turtle Creek.	87
1763.	Lieut. Jenkins to Major Gladwin. Arrival of the bearer (name not given) with two deserters from the out posts, where they had not heard of the cessation of arms. Lies told by the Canadians to the Indians, that the French were about to retake the country. The influence the French have over the Indians.	94
March 28, Ouistonon.	Richard Winston to Joseph Spear & Co. That the Indians would do well, if not spirited up by the French; there can be no English trade here till the French are prohibited.	96
May 16, Fort Edward.	Lieut. Jenkins to Major Gladwin. Reporting his capture by the Indians.	96
Augustus.	Declaration by C. Cormick of an attack by Indians, instigated by the French, on traders with peltry, &c.	91
June 1, Ouistonon.		
June 11, Detroit.		

1763.			
June 12, Michillimakinak.	Capt. Etherington to Major Gladwin, with details of the capture of the fort by the Indians.		Page 88
June 19, St. Joseph.	Richard Winston, trader, to the English merchants at Detroit. Gives an account of his escape when the fort was taken by the Indians.	95	
July 6, Detroit.	Proceedings of a court of inquiry held by order of Major Gladwin to ascertain the manner of the taking of Fort Sandusky, St. Joseph, Miamis and Presqu'Isle.	98	
1764.			
April 6, Fort Bedford.	Petition of the sufferers near Fort Bedford for relief.	102	
April 20, Carlisle.	"Remonstrance" of sufferers at and near Fort Pitt for payment for their losses.	104	
April 27, Carlisle.	Bouquet's answer to a memorial of John Metcalfe for a compensation for losses.	106	
May 4, Ligonier.	Petition of the inhabitants of Ligonier for compensation for losses.	109	
August 30, Fort Loudoun.	Peter Doran. Petition for remission of sentence.	111	
August — Fort Loudoun.	Form of warrant to raise a company of 50 volunteers to join the army.	112	
September 16, Fort Pitt.	Return of the garrison of Fort Pitt,	113	
September 17, Fort Pitt.	Return of ordnance and stores.	115	
November 4, Muskingum.	Bouquet to Capt. Lewis, of the Virginian volunteers. Instructions to proceed with prisoners, &c., to Fort Pitt.	118	
1765.			
January 12, Philadelphia.	The same to Capt. W. Murray. Croghan has been sent to deliver speeches to the Indians; he is to give him every assistance, &c.	120	
	Circular to the officers of the different posts follows.	121	
February 26, Philadelphia.	Alexander Lowrey. Petition for leave to trade with the Indians and to get up goods for that purpose.	123	
March —.	Remonstrance of the inhabitants of Cumberland County to the Governor against the large supplies of clothing, powder, &c. given to the Indians, as these may lead to another outbreak.	186	
April 27, Lancaster.	Address of the officers of the 1st battalion of the 60th Regiment to Bouquet congratulating him on being promoted to the rank of Brigadier General.	124	
No date.	Notes on the garrisons for the posts and on the method of carrying on offensive operations on the Ohio, &c., (neither dated nor signed).	47	
	Remarks upon the proposals for delivering liquor at Pittsburgh.	51	
	Petition of the creditors of Philip Stone.	126	
	Receipt (in French) for making punch.	127	
	Calculation of the expense of buying and equipping 375 pack horses to carry 18,000 gallons of liquor to Pittsburgh.	128	
	Account of clothing to be given and what was received by the soldiers from Maryland.	130	
	Answer to questions of Adam Hoops concerning provisions.	131	
	List of soldiers put in gaol, with the charges against them.	132	
	Declaration of two apprentices who had enlisted.	133	
	Articles wanted and sent to General Forbes (2nd June, but no place or year).	136	
	Dimensions of store rooms and what they are capable of holding.	137	
	Proposal for making salt.	139	
	Proposition of Alexander Stevens to raise 50 bateau men.	140	
	Calculations of the comparative expense and difference in time in conveying provisions to the posts by land or by water.	141	
	Remarks on Braddock's road.	145	

No date.

Report by Lieut. Rhor on the road by Alleghany.	Page 146
Resolutions passed by the Assembly of Virginia that taxes can only be imposed in the Colony by the Assembly.	150
Journal of Capt. Patterson from Ray's Town to Fort Duquesne and back to Loyal Hannan (from the 27th July to the 2nd August, but no year), with observations.	152
Report of Capt. Ward, sent to reconnoitre the road to the westward, the first river crossed being the Juniata, by Laurel Hills, Three Forks, western foot of the Alleghanies.	155
Dunning's estimate of the distance from Ray's Town to the French fort.	157
Distance from Pittsburgh to Carlisle.	158
Amherst's proposal for allowances to the commanders of posts.	159
Petition of the justices of the County of York for a settlement of the claims of the inhabitants for transport.	161
"A state of facts to show the iniquity of the Bills lately passed by the Governor of Pennsylvania."	163
Petition of inhabitants of Bedford to the Governor and Legislature of Pennsylvania, their grievances, and asking that they be paid for the damage done to their crops by the military.	165
Petition of soldiers for their discharge.	167, 168
Petition of Joseph Mitchell and others for payment of horses lost at Fort Pitt.	169
The horsemasters employed in the last campaign, for certain allowances.	170
Resolutions of Assembly (Pennsylvania?). The first: That they are under no obligation for the pay of the volunteers who joined Bouquet; and the second recommending Bouquet to His Majesty's favour.	172
"Remonstrance" by Joseph Galbraith, late clerk of the stores at Venango, employed by General Monckton, stating his grievances, &c.	173
The covering letter at	178
Lieut. W. Potts, late of the 60th, stating his services and asking to be reinstated on full pay.	180
Representation by the captains of the battalions about the accounts.	182
Damage done to the inhabitants in and about Bedford (two statements).	190, 191

CASH BOOK, SOUTH CAROLINA.

1757-1758.

A. 29.**B. M., 21,659.**

Accounts for subsistence for different companies, officers, &c., from June, 1757, to February, 1758.

INVENTORY OF EFFECTS BELONGING TO THE LATE BRIG. GEN. BOUQUET.

1765.

A. 30.**B. M., 21660.**

This volume contains simply an inventory of the effects, furniture, &c., left at Pensacola, of which an account was taken on the 4th September, 1765, after Bouquet's death.

www.libtool.com.cn

1
Hauptstadt
3

www.libtool.com.cn

www.libtool.com.cn



971
C212r

Canada. Arch
Report, 188

South
to NW/2

DATE
Nov 28

236 998

